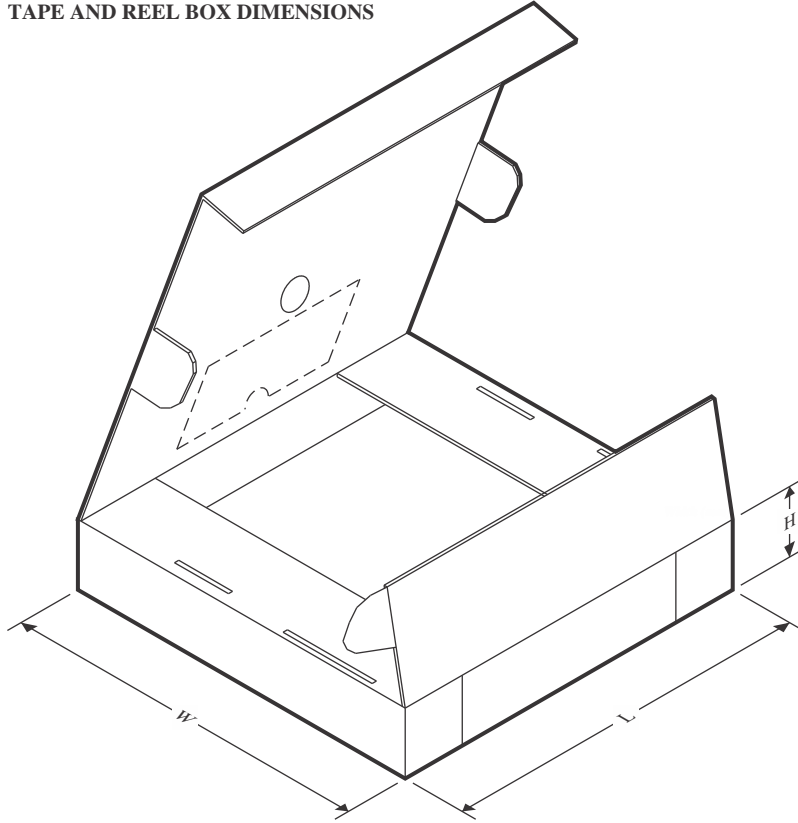


TAPE AND REEL INFORMATION

QUADRANT ASSIGNMENTS FOR PIN 1 ORIENTATION IN TAPE


*All dimensions are nominal

Device	Package Type	Package Drawing	Pins	SPQ	Reel Diameter (mm)	Reel Width W1 (mm)	A0 (mm)	B0 (mm)	K0 (mm)	P1 (mm)	W (mm)	Pin1 Quadrant
TPS22971YZPR	DSBGA	YZP	8	3000	180.0	8.4	1.02	2.02	0.63	2.0	8.0	Q1
TPS22971YZPR	DSBGA	YZP	8	3000	180.0	8.4	1.0	2.06	0.63	2.0	8.0	Q1
TPS22971YZPT	DSBGA	YZP	8	250	180.0	8.4	1.0	2.06	0.63	2.0	8.0	Q1
TPS22971YZPT	DSBGA	YZP	8	250	180.0	8.4	1.02	2.02	0.63	2.0	8.0	Q1

TAPE AND REEL BOX DIMENSIONS


*All dimensions are nominal

Device	Package Type	Package Drawing	Pins	SPQ	Length (mm)	Width (mm)	Height (mm)
TPS22971YZPR	DSBGA	YZP	8	3000	182.0	182.0	20.0
TPS22971YZPR	DSBGA	YZP	8	3000	182.0	182.0	20.0
TPS22971YZPT	DSBGA	YZP	8	250	182.0	182.0	20.0
TPS22971YZPT	DSBGA	YZP	8	250	182.0	182.0	20.0