

TAPE AND REEL INFORMATION



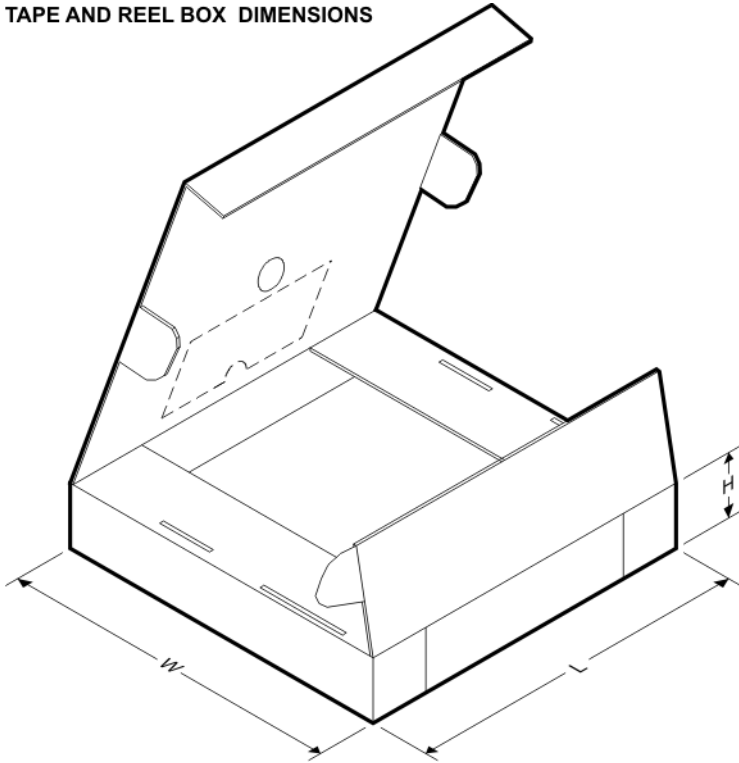
QUADRANT ASSIGNMENTS FOR PIN 1 ORIENTATION IN TAPE



*All dimensions are nominal

Device	Package Type	Package Drawing	Pins	SPQ	Reel Diameter (mm)	Reel Width W1 (mm)	A0 (mm)	B0 (mm)	K0 (mm)	P1 (mm)	W (mm)	Pin1 Quadrant
TPS259620DDAR	SO Power PAD	DDA	8	2500	330.0	12.8	6.4	5.2	2.1	8.0	12.0	Q1
TPS259620DDAT	SO Power PAD	DDA	8	250	330.0	12.8	6.4	5.2	2.1	8.0	12.0	Q1
TPS259621DDAR	SO Power PAD	DDA	8	2500	330.0	12.8	6.4	5.2	2.1	8.0	12.0	Q1
TPS259621DDAT	SO Power PAD	DDA	8	250	330.0	12.8	6.4	5.2	2.1	8.0	12.0	Q1
TPS259630DDAR	SO Power PAD	DDA	8	2500	330.0	12.8	6.4	5.2	2.1	8.0	12.0	Q1
TPS259630DDAT	SO Power PAD	DDA	8	250	330.0	12.8	6.4	5.2	2.1	8.0	12.0	Q1
TPS259631DDAR	SO Power PAD	DDA	8	2500	330.0	12.8	6.4	5.2	2.1	8.0	12.0	Q1
TPS259631DDAT	SO	DDA	8	250	330.0	12.8	6.4	5.2	2.1	8.0	12.0	Q1

Device	Package Type	Package Drawing	Pins	SPQ	Reel Diameter (mm)	Reel Width W1 (mm)	A0 (mm)	B0 (mm)	K0 (mm)	P1 (mm)	W (mm)	Pin1 Quadrant
	Power PAD											

TAPE AND REEL BOX DIMENSIONS


*All dimensions are nominal

Device	Package Type	Package Drawing	Pins	SPQ	Length (mm)	Width (mm)	Height (mm)
TPS259620DDAR	SO PowerPAD	DDA	8	2500	366.0	364.0	50.0
TPS259620DDAT	SO PowerPAD	DDA	8	250	366.0	364.0	50.0
TPS259621DDAR	SO PowerPAD	DDA	8	2500	366.0	364.0	50.0
TPS259621DDAT	SO PowerPAD	DDA	8	250	366.0	364.0	50.0
TPS259630DDAR	SO PowerPAD	DDA	8	2500	366.0	364.0	50.0
TPS259630DDAT	SO PowerPAD	DDA	8	250	366.0	364.0	50.0
TPS259631DDAR	SO PowerPAD	DDA	8	2500	366.0	364.0	50.0
TPS259631DDAT	SO PowerPAD	DDA	8	250	366.0	364.0	50.0