

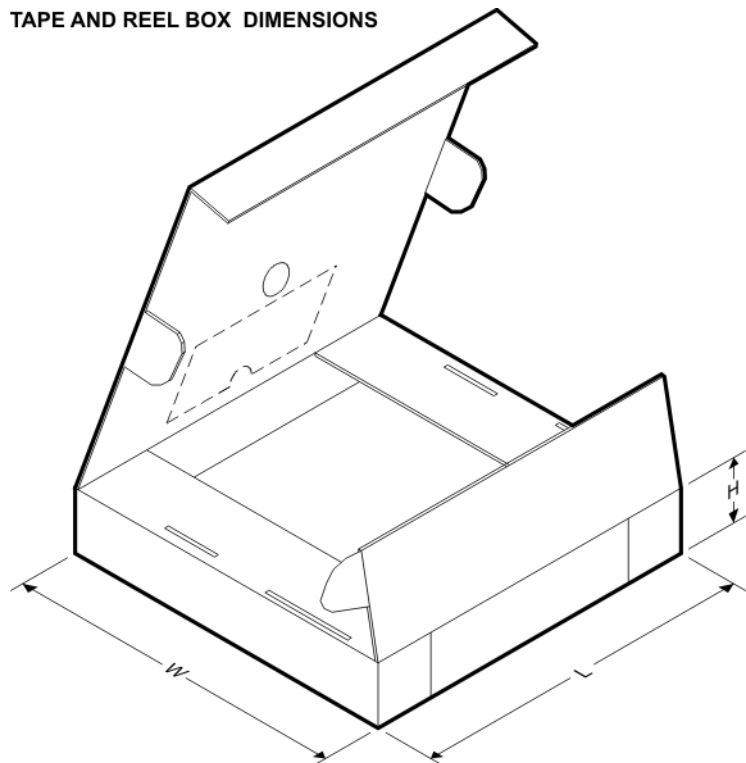
**TAPE AND REEL INFORMATION**

**QUADRANT ASSIGNMENTS FOR PIN 1 ORIENTATION IN TAPE**


\*All dimensions are nominal

| Device          | Package Type | Package Drawing | Pins | SPQ  | Reel Diameter (mm) | Reel Width W1 (mm) | A0 (mm) | B0 (mm) | K0 (mm) | P1 (mm) | W (mm) | Pin1 Quadrant |
|-----------------|--------------|-----------------|------|------|--------------------|--------------------|---------|---------|---------|---------|--------|---------------|
| TPS6286800CRQYR | VQFN-HR      | RQY             | 9    | 3000 | 180.0              | 8.4                | 1.8     | 2.8     | 1.12    | 4.0     | 8.0    | Q1            |
| TPS628680ARQYR  | VQFN-HR      | RQY             | 9    | 3000 | 180.0              | 8.4                | 1.8     | 2.8     | 1.12    | 4.0     | 8.0    | Q1            |
| TPS6286810CRQYR | VQFN-HR      | RQY             | 9    | 3000 | 180.0              | 8.4                | 1.8     | 2.8     | 1.12    | 4.0     | 8.0    | Q1            |
| TPS628681ARQYR  | VQFN-HR      | RQY             | 9    | 3000 | 180.0              | 8.4                | 1.8     | 2.8     | 1.12    | 4.0     | 8.0    | Q1            |
| TPS6286820CRQYR | VQFN-HR      | RQY             | 9    | 3000 | 180.0              | 8.4                | 1.8     | 2.8     | 1.12    | 4.0     | 8.0    | Q1            |
| TPS628682ARQYR  | VQFN-HR      | RQY             | 9    | 3000 | 180.0              | 8.4                | 1.8     | 2.8     | 1.12    | 4.0     | 8.0    | Q1            |
| TPS6286900CRQYR | VQFN-HR      | RQY             | 9    | 3000 | 180.0              | 8.4                | 1.8     | 2.8     | 1.12    | 4.0     | 8.0    | Q1            |
| TPS628690ARQYR  | VQFN-HR      | RQY             | 9    | 3000 | 180.0              | 8.4                | 1.8     | 2.8     | 1.12    | 4.0     | 8.0    | Q1            |
| TPS6286910CRQYR | VQFN-HR      | RQY             | 9    | 3000 | 180.0              | 8.4                | 1.8     | 2.8     | 1.12    | 4.0     | 8.0    | Q1            |
| TPS628691ARQYR  | VQFN-HR      | RQY             | 9    | 3000 | 180.0              | 8.4                | 1.8     | 2.8     | 1.12    | 4.0     | 8.0    | Q1            |
| TPS6286920CRQYR | VQFN-        | RQY             | 9    | 3000 | 180.0              | 8.4                | 1.8     | 2.8     | 1.12    | 4.0     | 8.0    | Q1            |

| Device         | Package Type | Package Drawing | Pins | SPQ  | Reel Diameter (mm) | Reel Width W1 (mm) | A0 (mm) | B0 (mm) | K0 (mm) | P1 (mm) | W (mm) | Pin1 Quadrant |
|----------------|--------------|-----------------|------|------|--------------------|--------------------|---------|---------|---------|---------|--------|---------------|
|                | HR           |                 |      |      |                    |                    |         |         |         |         |        |               |
| TPS628692ARQYR | VQFN-HR      | RQY             | 9    | 3000 | 180.0              | 8.4                | 1.8     | 2.8     | 1.12    | 4.0     | 8.0    | Q1            |

**TAPE AND REEL BOX DIMENSIONS**


\*All dimensions are nominal

| Device          | Package Type | Package Drawing | Pins | SPQ  | Length (mm) | Width (mm) | Height (mm) |
|-----------------|--------------|-----------------|------|------|-------------|------------|-------------|
| TPS6286800CRQYR | VQFN-HR      | RQY             | 9    | 3000 | 210.0       | 185.0      | 35.0        |
| TPS628680ARQYR  | VQFN-HR      | RQY             | 9    | 3000 | 210.0       | 185.0      | 35.0        |
| TPS6286810CRQYR | VQFN-HR      | RQY             | 9    | 3000 | 210.0       | 185.0      | 35.0        |
| TPS628681ARQYR  | VQFN-HR      | RQY             | 9    | 3000 | 210.0       | 185.0      | 35.0        |
| TPS6286820CRQYR | VQFN-HR      | RQY             | 9    | 3000 | 210.0       | 185.0      | 35.0        |
| TPS628682ARQYR  | VQFN-HR      | RQY             | 9    | 3000 | 210.0       | 185.0      | 35.0        |
| TPS6286900CRQYR | VQFN-HR      | RQY             | 9    | 3000 | 210.0       | 185.0      | 35.0        |
| TPS628690ARQYR  | VQFN-HR      | RQY             | 9    | 3000 | 210.0       | 185.0      | 35.0        |
| TPS6286910CRQYR | VQFN-HR      | RQY             | 9    | 3000 | 210.0       | 185.0      | 35.0        |
| TPS628691ARQYR  | VQFN-HR      | RQY             | 9    | 3000 | 210.0       | 185.0      | 35.0        |
| TPS6286920CRQYR | VQFN-HR      | RQY             | 9    | 3000 | 210.0       | 185.0      | 35.0        |
| TPS628692ARQYR  | VQFN-HR      | RQY             | 9    | 3000 | 210.0       | 185.0      | 35.0        |