



ABSTRACT

This document describes the known exceptions to the functional specifications (advisories).

Table of Contents

1 Functional Advisories	1
2 Preprogrammed Software Advisories	2
3 Debug Only Advisories	2
4 Fixed by Compiler Advisories	2
5 Device Nomenclature	2
5.1 Device Symbolization and Revision Identification.....	3
6 Advisory Descriptions	4
7 Revision History	19

1 Functional Advisories

Advisories that affect the device's operation, function, or parametrics.

✓ The check mark indicates that the issue is present in the specified revision.

Errata Number	Rev B
ADC_ERR_01	✓
ADC_ERR_02	✓
ADC_ERR_03	✓
ADC_ERR_05	✓
ADC_ERR_06	✓
COMP_ERR_01	✓
COMP_EER_02	✓
COMP_ERR_03	✓
CPU_ERR_01	✓
CPU_ERR_02	✓
FLASH_ERR_02	✓
GPIO_ERR_01	✓
GPIO_ERR_02	✓
GPIO_ERR_03	✓
I2C_ERR_01	✓
I2C_ERR_02	✓
I2C_ERR_03	✓
I2C_ERR_05	✓
PMCU_ERR_02	✓
PMCU_ERR_03	✓
PMCU_ERR_06	✓
PMCU_ERR_13	✓
PWREN_ERR_01	✓
SPI_ERR_01	✓

Errata Number	Rev B
SPI_ERR_03	✓
SPI_ERR_04	✓
SPI_ERR_05	✓
SPI_ERR_06	✓
SPI_ERR_07	✓
SYSOSC_ERR_01	✓
SYSOSC_ERR_02	✓
TIMER_ERR_01	✓
TIMER_ERR_04	✓
TIMER_ERR_06	✓
UART_ERR_01	✓
UART_ERR_02	✓
UART_ERR_04	✓
UART_ERR_05	✓
UART_ERR_06	✓
UART_ERR_07	✓
UART_ERR_08	✓
VREF_ERR_01	✓

2 Preprogrammed Software Advisories

Advisories that affect factory-programmed software.

✓ The check mark indicates that the issue is present in the specified revision.

3 Debug Only Advisories

Advisories that affect only debug operation.

✓ The check mark indicates that the issue is present in the specified revision.

4 Fixed by Compiler Advisories

Advisories that are resolved by compiler workaround. Refer to each advisory for the IDE and compiler versions with a workaround.

✓ The check mark indicates that the issue is present in the specified revision.

5 Device Nomenclature

To designate the stages in the product development cycle, TI assigns prefixes to the part numbers of all MSP MCU devices. Each MSP MCU commercial family member has one of two prefixes: MSP or XMS. These prefixes represent evolutionary stages of product development from engineering prototypes (XMS) through fully qualified production devices (MSP).

XMS – Experimental device that is not necessarily representative of the final device's electrical specifications

MSP – Fully qualified production device

Support tool naming prefixes:

X: Development-support product that has not yet completed Texas Instruments internal qualification testing.

null: Fully-qualified development-support product.

XMS devices and X development-support tools are shipped against the following disclaimer:

"Developmental product is intended for internal evaluation purposes."

MSP devices have been characterized fully, and the quality and reliability of the device have been demonstrated fully. TI's standard warranty applies.

Predictions show that prototype devices (XMS) have a greater failure rate than the standard production devices. TI recommends that these devices not be used in any production system because their expected end-use failure rate still is undefined. Only qualified production devices are to be used.

TI device nomenclature also includes a suffix with the device family name. This suffix indicates the temperature range, package type, and distribution format.

5.1 Device Symbolization and Revision Identification

The package diagrams below indicate the package symbolization scheme, and [Table 5-1](#) defines the device revision to version ID mapping.

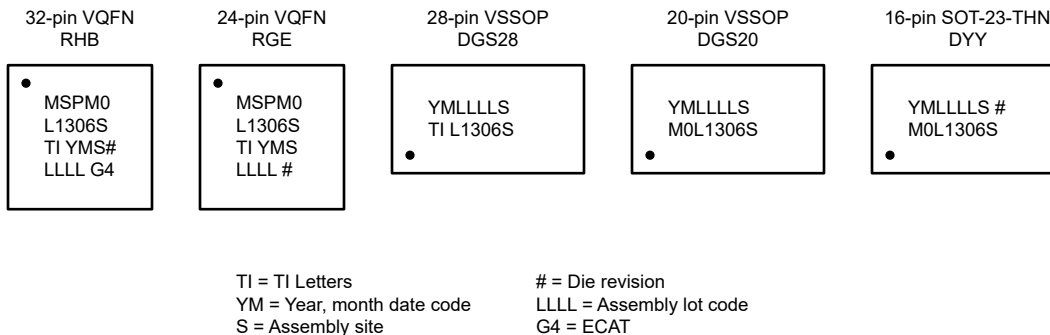


Figure 5-1. Package Symbolization

Table 5-1. Die Revisions

Revision Letter	Version (in the device factory constants memory)
B	1

The revision letter indicates the product hardware revision. Advisories in this document are marked as applicable or not applicable for a given device based on the revision letter. This letter maps to an integer stored in the memory of the device, which can be used to look up the revision using application software or a connected debug probe.

6 Advisory Descriptions

ADC_ERR_01

ADC Module

Category

Functional

Function

ADC is unable to trigger fast clock in STANDBY1 mode

Description

When the device is operating in STANDBY1 mode, the ADC module may not correctly assert an asynchronous fast clock request when it is triggered through the event system (for example, when an event publisher such as a timer generates an event to the ADC via the ADCs event subscriber port).

Workaround

Use STANDBY0 or higher power modes when triggering ADC conversions via the event fabric.

ADC_ERR_02

ADC Module

Category

Functional

Function

Increased current in low power mode when ADC is in Repeat mode

Description

When the ADC is configured to Repeat Sequence or Repeat Single mode with EVENT trigger in low power mode (LPM), the ADC module will consume additional current until disabled.

Workaround

Configure ADC to be in Single or Sequence mode (no Repeat), and use an interrupt after conversion to re-enable ADC for next trigger.

ADC_ERR_03

ADC Module

Category

Functional

Function

ADC SNR and DNL performance is worse when using VSSA for ADC ground reference.

Description

When the ADC is using VSS as the ground reference, noise sources on the VSS ground will impact the ADC results, which results in worsened SNR and DNL performance.

Workaround

Workaround 1: Use VREF+ and VREF- pins for the ADC reference. With the VREF- pin, the ADC will have it's analog ground reference lessening the influence of external noise sources. Workaround 2: Reduce noise sources on VSS; common sources are CPU or Digital switching noise

ADC_ERR_05	ADC Module
Category	Functional
Function	HW Event generated before enabling IP, ADC Trigger will stay in queue
Description	When ADC is configured in HW event trigger mode and the trigger is generated before enabling the ADC, the ADC trigger will stay in queue. Once ADC is enabled, it will trigger sampling and conversion.
Workaround	After configuring ADC in HW trigger mode, enable ADC first before giving external trigger.
ADC_ERR_06	ADC Module
Category	Functional
Function	ADC Output code jumps degrading DNL/INL specification
Description	The ADC may have errors at a rate as high as 1 in 2M conversions in 12-bit mode. When a conversion error occurs, it will be a significant random jump in the digital output of the ADC without a corresponding change in the ADC input voltage. The magnitude of this jump is larger near major transitions in the bit values of the ADC result (more bits transitioning from 1->0, or 0->1), and largest around midscale (2048 or 0x800). Depending on the application needs the best workaround may vary, but the following workarounds in software are proposed. Selection of the best workaround is left to the judgment of the system designer.
Workaround	<p>Workaround 1: Upon ADC result outside of application threshold (via ADC Window Comparator or software thresholding), trigger or wait for another ADC result before making critical system decisions</p> <p>Workaround 2: During post-processing, discard ADC values which are sufficiently far from the median or expected value. The expected value should be based on the average of real samples taken in the system, and the threshold for rejection should be based on the magnitude of the measured system noise.</p> <p>Workaround 3: Use ADC sample averaging to minimize the effect of the results of any single incorrect conversion.</p>
COMP_ERR_01	COMP Module
Category	Functional
Function	Comparator output keeps toggling in STANDBY0 mode

COMP_ERR_01

(continued)

COMP Module

Description

When the comparator inverting input mux (IMSEL) is set to 0 (COMP0_IN0-), and the device operating mode is set to STANDBY0, the comparator output may toggle unexpectedly regardless of the applied input voltages to the comparator.

Workaround

If utilizing comparator in STANDBY0, and applying an external voltage to the negative terminal, utilize channel 1 of the comparator (IMSEL = 1).
If utilizing comparator in STANDBY0, and applying an internal reference voltage (DAC8, VREF, etc.), set IMSEL to a value other than 0 (IMSEL 0).

COMP_ERR_02**COMP Module**

Category

Functional

Function

COMP output toggles when DACCODEx is used for hysteresis

Description

IF using the 8-bit DAC within the COMP module as an input to the COMP, AND DAC output switches between values placed in DACCODEx, THEN the COMP output toggles as if immediately crossing the new reference point.

This can happen regardless of the setting of the COMPx.CTL2.DACCTL bit.

This is most commonly seen in applications that utilize the two DACCODEx codes for custom or asymmetrical hysteresis for the COMP module.

Workaround

Utilize the established hysteresis values provided in COMPx.CTL1.HYST register bits.

COMP_ERR_03**COMP Module**

Category

Functional

Function

COMP hysteresis features are non-functional when using input exchange feature

Description

When using hysteresis features of the COMP module, and exchanging the inputs of the COMP (COMPx.CTL1.EXCH = 1), the COMP module becomes unstable.

Workaround

Do not apply internal hysteresis methods when utilizing COMP module in input exchange feature.

CPU_ERR_01	CPU Module
Category	Functional
Function	CPU cache content can get corrupted
Description	Cache corruption can occur when switching between accessing Main flash memory, and other memory regions such as NONMAIN or Calibration data areas.
Workaround	<p>Use the following procedure to access areas outside main memory safely:</p> <ol style="list-style-type: none"> 1. Disable the cache by setting CTL.ICACHE to "0". 2. Perform needed access to memory area. 3. Re-enable cache by setting CTL.ICACHE to "1".
CPU_ERR_02	CPU Module
Category	Functional
Function	Limitation of disabling prefetch feature for CPUSS
Description	CPU prefetch disable will not take effect if there is a pending flash memory access.
Workaround	Disable prefetch. Then issue a memory access to the shutdown memory (SHUTDNSTORE) in SYSCTL.
FLASH_ERR_02	FLASH Module
Category	Functional
Function	Debug disable in NONMAIN can be re-enable using default password
Description	If debug is disabled in NONMAIN configuration, it still can be enabled using default password.
Workaround	<ol style="list-style-type: none"> 1. Set the DEBUGACCESS to Debug Enabled with Password option and provide a unique password in the PWDDEBUGLOCK field. For higher security, it is recommended to have device-unique passwords that are cryptographically random. This would allow debug access with the right 128-bit password but can still allow some debug commands and access to the CFG-AP and SEC-AP. 2. Disable the physical SW Debug Port entirely by disabling SWDP_MODE. This fully prevents any debug access or requests to the device, but may affect Failure Analysis and return flows.

GPIO_ERR_01	GPIO Module
Category	Functional
Function	GPIO wakeup edges may be lost in STANDBY mode
Description	<p>After waking up once through a single GPIO edge, subsequent GPIO wakeup edges can be missed in STANDBY/STOP/SLEEP modes.</p> <p>Case 1: STANDBY0 wakeup - IF the MCU is set into STANDBY/STOP/SLEEP mode with an IO in "wake" state AND one sets the IO back to the "non-wake" state for < 3 LFCLK cycles and THEN asserts it again, the next wakeup edge will not be detected.</p> <p>Case 2: STANDBY1 wakeup - IF a GPIO edge is used to wakeup AND the GPIO pulse is still active when the device returns to STANDBY1, THEN the device will not detect any subsequent wakeup edges.</p>
Workaround	<p>Case 1: Ensure that the GPIO is de-asserted while the device is in active mode OR Ensure GPIO wakeup pulse is longer than 3 LFCLK cycles</p> <p>Case 2: Set GPIO wakeup edge to both falling and rising edges OR Ensure GPIO wakeup pulse is not active before entering STANDBY1</p>
GPIO_ERR_02	GPIO Module
Category	Functional
Function	High current draw following a negative current injection on PA2 pin
Description	<p>A negative current injection into the PA2 pin can lead to an unexpected and sustained high current draw in the device.</p> <p>This errata is not in effect if the PA2 is used in ROSC mode (100k ohm resistor is populated between ROSC and VSS).</p>
Workaround	<p>Place a series resistor with a typical value of 100 ohm between the PA2 pin and any connected circuit, with the resistor placed near to the PA2 pin. This resistor is intended to limit fast transients seen at the PA2 pin and is sufficient to prevent this scenario from occurring.</p> <p>OR</p>

GPIO_ERR_02
(continued)

GPIO Module

Avoid using the PA2 pin and use an alternate pin instead.

GPIO_ERR_03

GPIO Module

Category

Functional

Function

On a debugger read to GPIO EVENT0 IIDX, interrupt is cleared.

Description

EVENT0's IIDX of GPIO, on a debugger read is treated as a CPU read and interrupt is getting cleared.

Workaround

During the debug, the IIDX of event0 can be read by software reading RIS.

I2C_ERR_01

I2C Module

Category

Functional

Function

I2C module may hold the SDA line in SBMUS mode when a SMBUS quick command is issued

Description

When the I2C module is target mode and configured for SBMUS, IF the bus controller issues an SMBUS quick command addressed to the device (an I2C START condition followed by a 7-bit address, 1-bit R/W signal, 1-bit ACK, and an I2C STOP condition) with the R/W bit set to read, THEN the I2C module may attempt to pull the SDA line low at the same time that the bus controller is attempting to signal the I2C STOP condition, preventing the STOP condition from completing successfully.

Workaround

Load data into the I2C module transmit FIFO with the MSB set to 1 before the address ACK is completed to prevent the I2C module from driving the SDA line low. This will allow the bus controller to issue the STOP condition successfully and complete the SMBUS quick command.

I2C_ERR_02

I2C Module

Category

Functional

Function

I2C quick command read mode only works with specific conditions

Description

I2C quick command in read mode works only if TXFIFO has data with MSB set to 1 and clock stretching is disabled.

I2C_ERR_02

(continued)

I2C Module

Workaround

Provide a dummy data in the TXFIFO with MSB set to 1 AND disable the clock stretching (CLKSTRETCH = 0).

I2C_ERR_03***I2C Module***

Category

Functional

Function

I2C peripheral mode cannot wake up device when sourced from MFCLK

Description

IF I2C module is configured in peripheral mode
AND I2C is clocked from MFCLK (Middle Frequency Clock)
AND device is placed in STOP2 or STANDBY0/1 power modes,
THEN I2C fails to wakeup the device when receiving data.

Workaround

Set I2C to be clocked by BUSCLK instead of MFCLK, if needing low power wakeup upon receiving data in I2C peripheral mode.

I2C_ERR_05***I2C Module***

Category

Functional

Function

I2C SDA may get stuck to zero if we toggle ACTIVE bit during ongoing transaction

Description

If ACTIVE bit is toggled during an ongoing transfer, its state machine will be reset. However, the SDA and SCL output which is driven by the controller will not get reset. There is a situation where SDA is 0 and controller has gone into IDLE state, here the controller won't be able to move forward from the IDLE state or update the SDA value. Target's USBUSY is set (toggling of the ACTIVE bit is leading to a start being detected on the line) and the USBUSY won't be cleared as the controller will not be able to drive a STOP to clear it.

Workaround

Do not toggle the ACTIVE bit during an ongoing transaction.

PMCU_ERR_02***GPIO Module***

Category

Functional

Function

Transient voltage output during the device startup

PMCU_ERR_02

(continued)

GPIO Module

Description

When using pin PA2/ROSC in a functional configuration that is not ROSC, unintended transient voltage pulses can be observed on the PA2/ROSC pin during startup.

This errata does not affect ROSC functionality.

Workaround

No workaround available.

PMCU_ERR_03

BOR Module

Category

Functional

Function

BOR1, BOR2, and BOR3 do not work in STANDBY mode

Description

The user-selectable alternate BOR thresholds (BOR1, BOR2, BOR3) are not functional when operating in the device in STANDBY mode, thus the device does not reset properly when passing these thresholds.

Workaround

Do not use BOR1, BOR2, or BOR3 when operating in STANDBY mode. Configure the device to use the default BOR0 level before entering STANDBY mode. Upon exit from STANDBY mode, alternate BOR levels can be re-enabled.

PMCU_ERR_06

PMCU Module

Category

Functional

Function

CPU AND DMA are not able to access the flash at the same time

Description

CPU AND DMA cannot concurrently access the flash; for instance, this simultaneous access results in reading incorrect data from the flash during the flash erase operation. The issue can be seen whenever HREADY of the pulled low to CPU due to an ongoing DMA access, program/ erase operation, read Verify/ blank verify operations, basically anything other than CPU.

Workaround

Do not access the flash via CPU AND DMA concurrently. In case of program/ erase operation, read Verify/ blank verify operations, software needs to make sure that CPU does not access flash. This can be ensured by putting code in SRAM while a flash operation is on-going.

PMCU_ERR_13

PMCU Module

Category

Functional

PMCU_ERR_13

(continued)

PMCU Module

Function

MCU may get stuck while waking up from STOP2 & STANDBY0 at certain scenario

Description

When there is a pending prefetch access before device transitions to STOP2 & STANDBY0. A pending prefetch access such as a timer has just run to completion and DMA has received the event from the GPIO, in that scenario neither DMA transfer happens nor timer ISR execution takes place as well as CPU gets stuck. This issue arises when WFI instruction is half word aligned, wait state of device is 2 and there is a pending prefetch access before device transitions to LPM.

Workaround

Before going to LPM, customer can disable the prefetch and run some dummy instructions (like shutdown register read or any peripheral read) which doesn't access prefetch so that prefetch can get disabled and doesn't cause the device to hang when waking up from LPM as no prefetch access will be pending.

PWREN_ERR_01**GPIO Module**

Category

Functional

Function

Peripheral registers are still accessible after disabling PWREN register

Description

When disabling the power of a peripheral by setting the PWREN register to 0, the peripherals registers may appear to retain data values if read. Reading or writing to the registers when PWREN is 0 has no affect as the peripheral has no effect.

The following peripherals are affected: comparator (COMP), operational amplifier (OPA), TimerA, TimerG, general-purpose input/output (GPIO), and windowed watchdog timer (WWDT).

Workaround

When the PWREN register of the peripheral is set to 0, the values of the associated registers should be disregarded or considered invalid.

SPI_ERR_01**SPI Module**

Category

Functional

Function

SPI Parity bit is not functional

Description

SPI hardware parity modes are not functional.

Workaround

Do not enable hardware parity via the PTEN or PREN bit in the CTL1 register of the SPI module. Parity computation and checking may be implemented with application software.

SPI_ERR_03	<i>SPI Module</i>
Category	Functional
Function	When configured as peripheral for a multi-peripheral application, received data will have a right shift
Description	In multi-peripheral scenario, SPI controller first communicates with peripheral0 and then communicates with peripheral1. After finishing communication with peripheral1, the controller again communicates with peripheral0. During the second communication with peripheral0, received data of peripheral0 will have a right shift in the first frame. The peripheral0 is getting first data as 0x3B when the controller sent data 0x76.
Workaround	To support multi peripheral scenario CSCLR needs to be enabled at peripheral end to reset it's RX and TX the bit counters, when there is no active communication happening with that peripheral (CS of that peripheral will be disabled).
SPI_ERR_04	<i>SPI Module</i>
Category	Functional
Function	IDLE/BUSY status toggle after each frame receive when SPI peripheral is in only receive mode.
Description	In case of SPI peripheral in only receiving mode, the IDLE interrupt and BUSY status are toggling after each frame receive while SPI is receiving data continuously(SPI_PHASE=1). Here there is no data loaded into peripheral TXFIFO and TXFIFO is empty.
Workaround	Do not use SPI peripheral only receive mode. Set SPI in peripheral simultaneous transmit and receive mode.
SPI_ERR_05	<i>SPI Module</i>
Category	Functional
Function	SPI Peripheral Receive Timeout interrupt is setting irrespective of RXFIFO data
Description	When using SPI timeout interrupt, the RXTIMEOUT counter started decrementing from the point that peripheral is stopped receiving SPI clock and setting the RXTIMEOUT interrupt irrespective of data exists in RXFIFO or not, which does not match the description in the TRM: SPI peripheral receive timeout(RTOU) interrupt is "asserted when the receive FIFO is not empty, and no further data is received in the specified time at CTL1.RXTIMEOUT.

SPI_ERR_05

(continued)

SPI Module

Workaround

Repeat load RXTIMEROUT counter value while receive FIFO is empty, and start timeout counting only when receive FIFO gets any data.

SPI_ERR_06**SPI Module**

Category

Functional

Function

IDLE/BUSY status does not reflect the correct status of SPI IP when debug halt is asserted

Description

IDLE/BUSY is independent of halt, it is only gating the RXFIFO/TXFIFO writing/reading strobes. So, if controller is sending data, although it's not latched in FIFO but the BUSY is getting set. The POCI line transmits the previously transmitted data on the line during halt

Workaround

Don't use IDLE/BUSY status when SPI IP is halted.

SPI_ERR_07**SPI Module**

Category

Functional

Function

SPI underflow event may not generate if read/write to TXFIFO happen at the same time for SPI peripheral

Description

TXFIFO for SPI peripheral uses a bus synchronization scheme. While the control signal from BUSCLK domain to SPICLK domain is getting transferred, if read and write pointer points to the same head of FIFO, there is a possibility of data coherence issues. This issue only happens in corner case scenarios, and cause no underflow event being generated.

Workaround

Customer must ensure that TXFIFO on peripheral can never be empty when Controller is addressing the peripheral.

SYSOSC_ERR_01 **SYSOSC Module**

Category

Functional

Function

MFCLK drift when using SYSOSC FCL together with STOP1 mode

Description

If MFCLK is enabled AND SYSOSC is using the frequency correction loop (FCL) mode AND the STOP1 low power operating mode is used, Then the MFCLK may drift by two cycles when SYSOSC shifts from 4MHz back to 32MHz (either upon exit from STOP1 to RUN mode or upon an asynchronous fast clock request that forces SYSOSC to 32MHz).

SYSOSC_ERR_01

(continued)

SYSOSC Module

Workaround

Use STOP0 mode instead of STOP1 mode. There is no MFCLK drift when STOP0 mode is used.

OR

Do not use SYSOSC in the FCL mode (leave FCL disabled) when using STOP1.

SYSOSC_ERR_02

SYSOSC Module

Category

Functional

Function

MFCLK does not work when Async clock request is received in an LPM where SYSOSC was disabled in FCL mode

Description

MFCLK will not start to toggle in below scenario:

1. FCL mode is enabled and then MFCLK is enabled
2. Enter a low power mode where SYSOSC is disabled (SLEEP2/STOP2/STANDBY0/STANDBY1).
3. Now async request is received from some peripherals which use MFCLK as functional clock.

This is happening because on receiving async request, SYSOSC gets enabled and ulpclk becomes 32MHz. But the SYSOSCTRIM FSM does not move from DISABLE state. Due to this, the FCL bases MFCLK is gated off and it does not toggle at all.

Workaround

Avoid using this scenario condition.

TIMER_ERR_01

TIMx Module

Category

Functional

Function

Capture mode captures incorrect value when using hardware event to start timer

Description

When using any timer instance in capture mode, starting the timer using a zero (ZCOND) or load (LCOND) condition causes the timer to capture the zero or load value instead of the captured value in the respective TIMx.CC register. This affects periodic use cases such as period and pulse width capture.

Workaround

Use the below software flow to calculate the period or pulse width. See the `timx_timer_mode_capture_duty_and_period` in the MSPM0-SDK for an example of the workaround.

1. Disable ZCOND or LCOND by setting to 0h.

TIMER_ERR_01

(continued)

TIMx Module

2. When a capture occurs, the capture value is correctly captured in TIMx.CC

3. Restart the timer by setting TIMx.CTR to the reload value (load or 0).

TIMER_ERR_04***TIMG Module***

Category

Functional

Function

TIMER re-enable may be missed if done close to zero event

Description

When using a GP TIMER in one shot mode and CLKDIV.RATIO is not 0, TIMER re-enable may be missed if done close to zero event.

Workaround

TIMER can be disabled first before re-enabling.

TIMER_ERR_06***TIMG Module***

Category

Functional

Function

Writing 0 to CLKEN bit does not disable counter

Description

Writing 0 to the Counter Clock Control Register(CCLKCTL) Clock Enable bit(CLKEN) does not stop the timer.

Workaround

Stop the timer by writing 0 to the Counter Control(CTRCTL) Enable(EN) bit.

UART_ERR_01***UART Module***

Category

Functional

Function

UART start condition not detected when transitioning to STANDBY1 Mode

Description

After servicing an asynchronous fast clock request that was initiated by a UART transmission while the device was in STANDBY1 mode, the device will return to STANDBY1 mode. If another UART transmission begins during the transition back to STANDBY1 mode, the data is not correctly detected and received by the device.

Workaround

Use STANDBY0 mode or higher low power mode when expecting repeated UART start conditions.

UART_ERR_02	UART Module
Category	Functional
Function	UART End of Transmission interrupt not set when only TXE is enabled
Description	UART End Of Transmission (EOT) interrupt does not trigger when the device is set for transmit only (CTL0.TXE = 1, CTL0.RXE = 0). EOT successfully triggers when device is set for transmit and receive (CTL0.TXE = 1, CTL0.RXE = 1)
Workaround	Set both CTL0.TXE and CTL0.RXE bits when utilizing the UART end of transmission interrupt. Note that you do not need to assign a pin as UART receive.
UART_ERR_04	UART Module
Category	Functional
Function	Incorrect UART data received with the fast clock request is disabled when clock transitions from SYSOSC to LFOSC
Description	Scenario: <ol style="list-style-type: none"> 1. LFCLK selected as functional clock for UART 2. Baud rate of 9600 configured with 3x oversampling 3. UART fast clock request has been disabled If the ULPCLK changes from SYSOSC to LFOSC in the middle of a UART RX transfer, it is observed that one bit is read incorrectly
Workaround	Enable UART fast clock request while using UART in LPM modes.
UART_ERR_05	UART Module
Category	Functional
Function	Limitation of debug halt feature in UART module
Description	All Tx FIFO elements are sent out before the communication comes to a halt against the expectation of completing the existing frame and halt.
Workaround	Please ensure data is not written into the TX FIFO after debug halt is asserted.
UART_ERR_06	UART Module
Category	Functional

UART_ERR_06

(continued)

UART Module

Function

Unexpected behavior RTOUT/Busy/Async in UART 9-bit mode

Description

UART receive timeout (RTOUT) is not working correctly in multi node scenario, where one UART will act as controller and other UART nodes as peripherals, each peripheral is configured with different address in 9-bit UART mode.

First UART controller communicated with UART peripheral1, by sending peripheral1's address as a first byte and then data, peripheral1 has seen the address match and received the data. Once controller is done with peripheral1, peripheral1 is not setting the RTOUT after the configured timeout period, if controller immediately starts the communication with another UART peripheral (peripheral2) which is configured with different address on the bus. The peripheral1 RTOUT counter is resetting while communication ongoing with peripheral2 and peripheral1 setting its RTOUT only after UART controller is completed the communication with peripheral2.

Similar behavior observed with BUSY and Async request. Busy and Async request is setting even if address does not match while controller communicating with other peripheral on the bus.

Workaround

Do not use RTOUT/ BUSY /Async clock request behavior in multi node UART communication where single controller is tied to multiple peripherals.

UART_ERR_07**UART Module**

Category

Functional

Function

RTOUT counter not counting as per expectation in IDLE LINE MODE

Description

In IDLE LINE MODE in UART, RTOUT counter gets stuck at even when the line is IDLE and FIFO has some elements. This means that RTOUT interrupts will not work in IDLE LINE MODE.

In case of an Address Mismatch, RTOUT counter is reloaded when it sees toggles on the Rx line.

In case of a multi-responder scenario this could lead to an indefinite delay in getting an RTOUT event when communication is happening between the commander and some other responder.

Workaround

Do not enable RTOUT feature when UART module is used either in IDLELINE mode/ multi-node UART application.

UART_ERR_08**UART Module**

Category

Functional

Function

STAT BUSY does not represent the correct status of UART module

UART_ERR_08

(continued)

UART Module

Description

STAT BUSY is staying high even if UART module is disabled and there is data available in TXFIFO.

Workaround

Poll TXFIFO status and the CTL0.ENABLE register bit to identify BUSY status.

VREF_ERR_01

VREF Module

Category

Functional

Function

VREF READY bit does not get cleared after disabling VREF

Description

The first time the VREF module is enabled after a SYSRST, the VREF READY bit can be used for its intended functionality. If the VREF module is disabled in application, the VREF READY bit does not get cleared. As a result of this errata, subsequent enabling of the VREF module cannot use the VREF READY bit to indicate the VREF module is stable.

Workaround

When re-enabling the VREF module in application, utilize a TIMER module to wait the maximum VREF startup time, before utilizing the VREF module. Please see the device datasheet for VREF startup time.

7 Revision History

NOTE: Page numbers for previous revisions may differ from page numbers in the current version.

Changes from Revision A (April 2023) to Revision B (February 2025) **Page**

- Added silicon revision B; Updated the following advisories: ADC_ERR_01, ADC_ERR_02, COMP_ERR_01, GPIO_ERR_01, I2C_ERR_01, PMCU_ERR_02, PMCU_ERR_03, PWREN_ERR_01, SPI_ERR_01, SYSOSC_ERR_01. Removed the following advisory: IO_ERR_01. Added the following advisories: ADC_ERR_03, ADC_ERR_05, ADC_ERR_06, COMP_ERR_02, COMP_ERR_03, CPU_ERR_01, CPU_ERR_02, FLASH_ERR_02, GPIO_ERR_02, GPIO_ERR_03, I2C_ERR_02, I2C_ERR_03, I2C_ERR_05, PMCU_ERR_06, PMCU_ERR_13, SPI_ERR_03, SPI_ERR_04, SPI_ERR_05, SPI_ERR_06, SPI_ERR_07, SYSOSC_ERR_02, TIMER_ERR_01, TIMER_ERR_04, TIMER_ERR_06, UART_ERR_01, UART_ERR_02, UART_ERR_04, UART_ERR_05, UART_ERR_06, UART_ERR_07, UART_ERR_08, VREF_ERR_01..... 1

Changes from Revision * (March 2023) to Revision A (April 2023) **Page**

- Added silicon revision C; Added the following advisories: IO_ERR_01, PMCU_ERR_02, PMCU_ERR_03, SYSOSC_ERR_01..... 1

IMPORTANT NOTICE AND DISCLAIMER

TI PROVIDES TECHNICAL AND RELIABILITY DATA (INCLUDING DATA SHEETS), DESIGN RESOURCES (INCLUDING REFERENCE DESIGNS), APPLICATION OR OTHER DESIGN ADVICE, WEB TOOLS, SAFETY INFORMATION, AND OTHER RESOURCES "AS IS" AND WITH ALL FAULTS, AND DISCLAIMS ALL WARRANTIES, EXPRESS AND IMPLIED, INCLUDING WITHOUT LIMITATION ANY IMPLIED WARRANTIES OF MERCHANTABILITY, FITNESS FOR A PARTICULAR PURPOSE OR NON-INFRINGEMENT OF THIRD PARTY INTELLECTUAL PROPERTY RIGHTS.

These resources are intended for skilled developers designing with TI products. You are solely responsible for (1) selecting the appropriate TI products for your application, (2) designing, validating and testing your application, and (3) ensuring your application meets applicable standards, and any other safety, security, regulatory or other requirements.

These resources are subject to change without notice. TI grants you permission to use these resources only for development of an application that uses the TI products described in the resource. Other reproduction and display of these resources is prohibited. No license is granted to any other TI intellectual property right or to any third party intellectual property right. TI disclaims responsibility for, and you will fully indemnify TI and its representatives against, any claims, damages, costs, losses, and liabilities arising out of your use of these resources.

TI's products are provided subject to [TI's Terms of Sale](#) or other applicable terms available either on [ti.com](https://www.ti.com) or provided in conjunction with such TI products. TI's provision of these resources does not expand or otherwise alter TI's applicable warranties or warranty disclaimers for TI products.

TI objects to and rejects any additional or different terms you may have proposed.

Mailing Address: Texas Instruments, Post Office Box 655303, Dallas, Texas 75265

Copyright © 2025, Texas Instruments Incorporated