

## SNx4ACT08 四通道双输入正与门

### 1 特性

- 4.5V 至 5.5V  $V_{CC}$  运行
- 输入电压高达 5.5V
- $t_{pd}$  最大值为 10ns ( 5V 时 )
- 输入兼容 TTL 电压

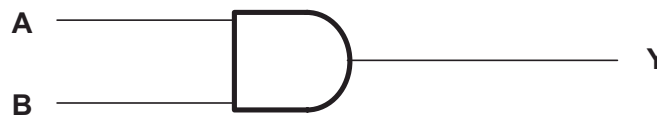
### 2 说明

' ACT08 器件是四通道 2 输入正与门。这些器件以正逻辑执行布尔函数  $Y = A \cdot B$  或  $Y = \overline{A} + \overline{B}$ 。

#### 器件信息

器件型号	封装 <sup>(1)</sup>	封装尺寸 <sup>(2)</sup>	本体尺寸 <sup>(3)</sup>
SNx4ACT08	N ( PDIP , 14 )	19.3mm × 9.4mm	19.3mm × 6.35mm
	NS ( SOP , 14 )	12.60mm × 7.8mm	12.60mm × 5.30mm
	DB ( SSOP , 14 )	6.20mm × 7.8mm	6.20mm × 5.30mm
	PW ( TSSOP , 14 )	5.00mm × 6.4mm	5.00mm × 4.40mm
	D ( SOIC , 14 )	8.65mm × 6mm	8.65mm × 3.91mm
	J ( CDIP , 14 )	19.56mm × 7.9mm	19.56mm × 6.67mm
	W ( CFP , 14 )	9.21mm × 9mm	9.21mm × 6.3mm
	FK ( LCCC , 20 )	8.9mm × 8.9mm	8.9mm × 8.9mm

- (1) 如需了解更多信息，请参阅[机械、封装和可订购信息](#)。
- (2) 封装尺寸 ( 长 × 宽 ) 为标称值，并包括引脚 ( 如适用 )。
- (3) 本体尺寸 ( 长 × 宽 ) 为标称值，不包括引脚。



逻辑图，每个逻辑门 ( 正逻辑 )



## 内容

<b>1 特性</b> .....	1	6.1 功能方框图.....	8
<b>2 说明</b> .....	1	6.2 器件功能模式.....	8
<b>3 引脚配置和功能</b> .....	3	<b>7 应用和实施</b> .....	9
<b>4 规格</b> .....	4	7.1 电源相关建议.....	9
4.1 绝对最大额定值.....	4	7.2 布局.....	9
4.2 建议运行条件.....	4	<b>8 器件和文档支持</b> .....	10
4.3 热性能信息.....	4	8.1 文档支持.....	10
4.4 电气特性.....	5	8.2 接收文档更新通知.....	10
4.5 开关特性.....	5	8.3 支持资源.....	10
4.6 工作特性.....	5	8.4 静电放电警告.....	10
4.7 典型特性.....	6	8.5 术语表.....	10
<b>5 参数测量信息</b> .....	7	<b>9 修订历史记录</b> .....	10
<b>6 详细说明</b> .....	8	<b>10 机械、封装和可订购信息</b> .....	10

### 3 引脚配置和功能

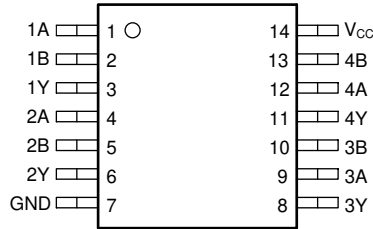


图 3-1. SN54ACT08 J 或 W 封装，14 引脚 CDIP 或 CFP；SN74ACT08 D、DB、N、NS 和 PW；14 引脚 SOIC、SSOP、PDIP、SOP 和 TSSOP

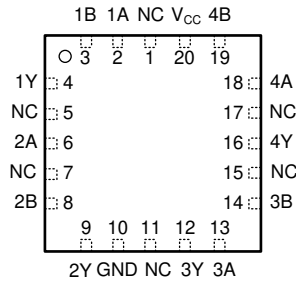


图 3-2. FK 封装，20 引脚 LCCC

#### 引脚功能

引脚		I/O	说明
名称	编号		
1A	1	输入	通道 1，输入 A
1B	2	输入	通道 1，输入 B
1Y	3	输出	通道 1，输出 Y
2A	4	输入	通道 2，输入 A
2B	5	输入	通道 2，输入 B
2Y	6	输出	通道 2，输出 Y
GND	7	—	接地
3Y	8	输出	通道 3，输出 Y
3A	9	输入	通道 3，输入 A
3B	10	输入	通道 3，输入 B
4Y	11	输出	通道 4，输出 Y
4A	12	输入	通道 4，输入 A
4B	13	输入	通道 4，输入 B
V <sub>CC</sub>	14	—	正电源
散热焊盘 <sup>(1)</sup>		—	散热焊盘可连接到 GND 或悬空。请勿连接到任何其他信号或电源

(1) 信号类型：I = 输入，O = 输出，I/O = 输入或输出。

## 4 规格

### 4.1 绝对最大额定值

在自然通风条件下的工作温度范围内测得 (除非另有说明) <sup>(1)</sup>

		最小值	最大值	单位
$V_{CC}$	电源电压范围	-0.5	7	V
$V_I$	输入电压范围 <sup>(2)</sup>	-0.5	$V_{CC} + 0.5$	V
$V_O$	输出电压范围 <sup>(2)</sup>	-0.5	$V_{CC} + 0.5$	V
$I_{IK}$	输入钳位电流	$V_I < 0$ 或 $V_I > V_{CC}$		$\pm 20$ mA
$I_{OK}$	输出钳位电流	$V_O < 0$ 或 $V_O > V_{CC}$		$\pm 20$ mA
$I_O$	持续输出电流	$V_O = 0$ 至 $V_{CC}$		$\pm 50$ mA
通过 $V_{CC}$ 或 GND 的持续电流				$\pm 200$ mA
$T_{stg}$	贮存温度范围	-65	150	°C

(1) 应力超出“绝对最大额定值”下列出的值可能会对器件造成永久损坏。这些列出的值仅仅是应力额定值，这并不表示器件在这些条件下以及在“建议运行条件”以外的任何其他条件下能够正常运行。长时间处于绝对最大额定条件下可能会影响器件的可靠性。

(2) 如果遵守输入和输出电流额定值，输入和输出电压可超过额定值。

### 4.2 建议运行条件

	SN54ACT08		SN74ACT08		单位	
	最小值	最大值	最小值	最大值		
$V_{CC}$	电源电压	4.5	5.5	4.5	5.5	V
$V_{IH}$	高电平输入电压	2		2		V
$V_{IL}$	低电平输入电压		0.8		0.8	V
$V_I$	输入电压	0	$V_{CC}$	0	$V_{CC}$	V
$V_O$	输出电压	0	$V_{CC}$	0	$V_{CC}$	V
$I_{OH}$	高电平输出电流		-24		-24	mA
$I_{OL}$	低电平输出电流		24		24	mA
$\Delta t/\Delta v$	输入转换上升或下降速率		8		8	ns/V
$T_A$	自然通风条件下的工作温度范围	-55	125	-40	85	°C

### 4.3 热性能信息

热指标 <sup>(1)</sup>	SN74ACT08					单位	
	DB (SSOP)	D (SOIC)	N (PDIP)	NS (PDIP)	PW (TSSOP)		
	14 引脚	14 引脚	14 引脚	14 引脚	14 引脚		
$R_{\theta JA}$	结至环境热阻	96	86	80	76	145.7	°C/W

(1) 有关新旧热指标的更多信息，请参阅 ( [半导体和 IC 封装热指标](#) ) 应用报告。

#### 4.4 电气特性

在自然通风条件下的建议运行温度范围内测得（除非另有说明）

参数	测试条件	V <sub>CC</sub>	T <sub>A</sub> = 25°C			SN54ACT08		SN74ACT08		单位
			最小值	典型值	最大值	最小值	最大值	最小值	最大值	
V <sub>OH</sub>	I <sub>OH</sub> = -50μA	4.5V	4.4	4.49		4.4		4.4	V	
		5.5V	5.4	5.49		5.4		5.4		
	I <sub>OH</sub> = -24mA	4.5V	3.86			3.7		3.76		
		5.5V	4.86			4.7		4.76		
	I <sub>OH</sub> = -50mA <sup>(1)</sup>	5.5V				3.85				
I <sub>OH</sub> = -75mA <sup>(1)</sup>	5.5V						3.85			
V <sub>OL</sub>	I <sub>OL</sub> = 50μA	4.5V		0.001	0.1		0.1		0.1	
		5.5V		0.001	0.1		0.1		0.1	
	I <sub>OL</sub> = 24mA	4.5V			0.36		0.5		0.44	
		5.5V			0.36		0.5		0.44	
	I <sub>OL</sub> = 50mA <sup>(1)</sup>	5.5V					1.65			
I <sub>OL</sub> = 75mA <sup>(1)</sup>	5.5V							1.65		
I <sub>I</sub>	V <sub>I</sub> = V <sub>CC</sub> 或 GND	5.5V			±0.1		±1		±1	μA
I <sub>CC</sub>	V <sub>I</sub> = V <sub>CC</sub> 或 GND, I <sub>O</sub> = 0	5.5V			2		80		20	μA
ΔI <sub>CC</sub> <sup>(2)</sup>	一个输入电压为 3.4V, 其他输入电压为 GND 或 V <sub>CC</sub>	5.5V		0.6			1.6		1.5	mA
C <sub>i</sub>	V <sub>I</sub> = V <sub>CC</sub> 或 GND	5V		4.5						pF

(1) 一次不应测试超过一个输出，且测试持续时间不应超过 2ms。

(2) 这是每个输入在指定 TTL 电压电平之一而不是 0V 或 V<sub>CC</sub> 时电源电流的增加情况。

#### 4.5 开关特性

在自然通风条件下的建议工作温度范围内测得，V<sub>CC</sub> = 5V ± 0.5V（除非另有说明）（请参阅[负载电路和电压波形](#)）

参数	从 (输入)	至 (输出)	T <sub>A</sub> = 25°C			SN54ACT08		SN74ACT08		单位
			最小值	典型值	最大值	最小值	最大值	最小值	最大值	
t <sub>PLH</sub>	A 或 B	Y	1	6.5	9	1	10	1	10	ns
t <sub>PHL</sub>			1	6.5	9	1	10	1	10	

#### 4.6 工作特性

V<sub>CC</sub> = 5V, T<sub>A</sub> = 25°C

参数	测试条件	典型值	单位
C <sub>pd</sub> 功率耗散电容	C <sub>L</sub> = 50pF, f = 1MHz	20	pF

## 4.7 典型特性

$T_A = 25^\circ\text{C}$  (除非另外注明)

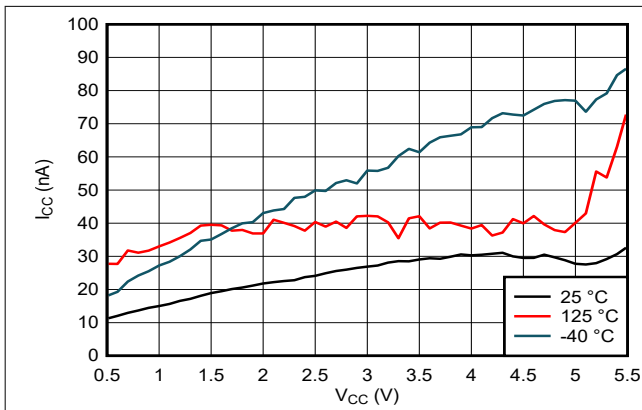


图 4-1. 电源电流与电源电压的关系

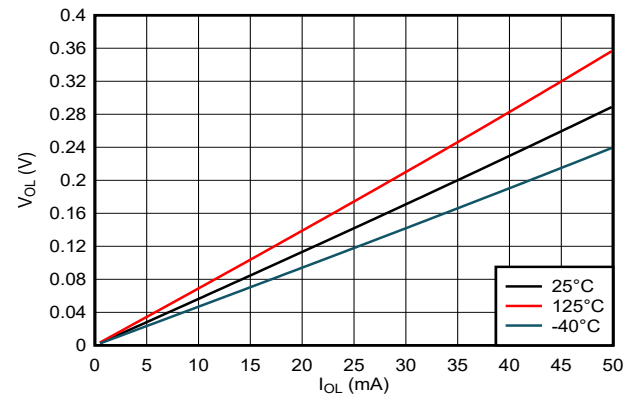
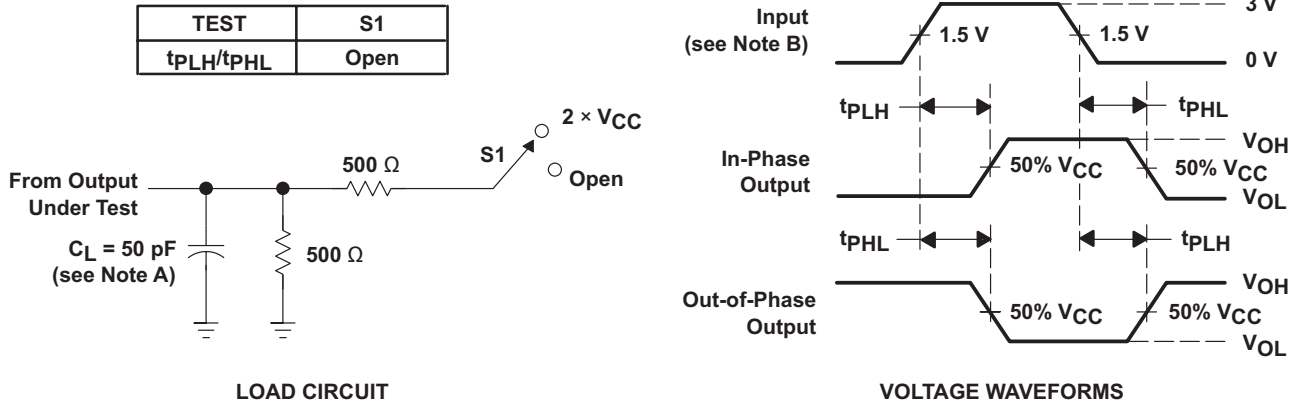


图 4-2. 低电平状态下输出电压与电流间的关系；5V 电源

### 5 参数测量信息

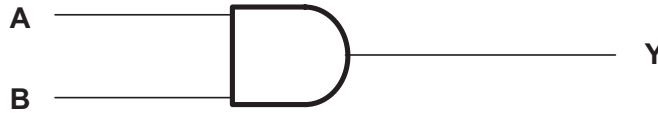


- A.  $C_L$  包括探针和夹具电容。
- B. 所有输入脉冲均由具有以下特性的发生器提供： $PRR \leq 1\text{MHz}$ ， $Z_O = 50\Omega$ ， $t_r 2.5\text{ns}$ ， $t_f 2.5\text{ns}$ 。
- C. 一次测量一个输出，每次测量一个输入转换。

图 5-1. 负载电路和电压波形

## 6 详细说明

### 6.1 功能方框图



逻辑图，每个逻辑门 ( 正逻辑 )

### 6.2 器件功能模式

功能表  
( 每个逻辑门 )

输入		输出 Y
A	B	
H	H	H
L	X	L
X	L	L



## 7 应用和实施

### 备注

以下应用部分中的信息不属于 TI 元件规格，TI 不担保其准确性和完整性。TI 的客户负责确定元件是否适合其用途，以及验证和测试其设计实现以确认系统功能。

### 7.1 电源相关建议

电源可以是 [建议运行条件](#) 表中最小和最大电源电压额定值之间的任何电压。

每个  $V_{CC}$  引脚应具有一个良好的旁路电容器，以防止功率干扰。对于单电源器件，建议使用  $0.1\ \mu\text{F}$ ；如果有多个  $V_{CC}$  引脚，则建议每个电源引脚使用  $0.01\ \mu\text{F}$  或  $0.022\ \mu\text{F}$  电容。可以并联多个旁路电容器以抑制不同的噪声频率。 $0.1\ \mu\text{F}$  和  $1\ \mu\text{F}$  通常并联使用。为了获得更佳效果，旁路电容器应尽可能靠近电源引脚安装。

### 7.2 布局

#### 7.2.1 布局指南

当使用多位逻辑器件时，输入不应悬空。在许多情况下，数字逻辑器件的功能或部分功能未被使用。例如，在仅使用三输入与门的两个输入，或仅使用 4 个缓冲门中的 3 个时。此类输入引脚不应悬空，因为外部连接处的未定义电压会导致未定义的运行状态。节 7.2.2 指定了在所有情况下都必须遵守的规则。数字逻辑器件的所有未使用输入必须连接至一个高或低偏置以防止悬空。应根据器件的功能为任何特定未使用的输入施加逻辑电平。通常，将这些输入连接到 GND 或  $V_{CC}$ ，具体取决于哪种更合理或更方便。使输出悬空是可以接受的，除非该器件是收发器。如果该收发器有一个输出使能引脚，它会在置为有效时禁用该器件的输出部分。这不会禁用 I/O 的输入部分，因此输入在禁用后也无法悬空。

#### 7.2.2 布局示例

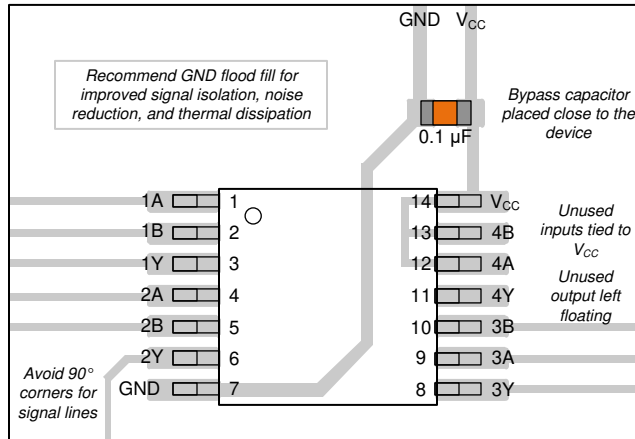


图 7-1. SN74ACT08 的示例布局

## 8 器件和文档支持

TI 提供广泛的开发工具。下面列出了用于评估器件性能、生成代码和开发解决方案的工具和软件。

### 8.1 文档支持

#### 8.1.1 相关文档

### 8.2 接收文档更新通知

要接收文档更新通知，请导航至 [ti.com](https://www.ti.com) 上的器件产品文件夹。点击 [通知](#) 进行注册，即可每周接收产品信息更改摘要。有关更改的详细信息，请查看任何已修订文档中包含的修订历史记录。

### 8.3 支持资源

[TI E2E™ 中文支持论坛](#) 是工程师的重要参考资料，可直接从专家处获得快速、经过验证的解答和设计帮助。搜索现有解答或提出自己的问题，获得所需的快速设计帮助。

链接的内容由各个贡献者“按原样”提供。这些内容并不构成 TI 技术规范，并且不一定反映 TI 的观点；请参阅 TI 的 [使用条款](#)。

### 8.4 静电放电警告



静电放电 (ESD) 会损坏这个集成电路。德州仪器 (TI) 建议通过适当的预防措施处理所有集成电路。如果不遵守正确的处理和安装程序，可能会损坏集成电路。

ESD 的损坏小至导致微小的性能降级，大至整个器件故障。精密的集成电路可能更容易受到损坏，这是因为非常细微的参数更改都可能会导致器件与其发布的规格不相符。

### 8.5 术语表

#### TI 术语表

本术语表列出并解释了术语、首字母缩略词和定义。

## 9 修订历史记录

注：以前版本的页码可能与当前版本的页码不同

Changes from Revision C (October 2003) to Revision D (August 2024)	Page
• 添加了 <a href="#">器件信息表</a> 、 <a href="#">引脚功能表</a> 、 <a href="#">热性能信息表</a> 、 <a href="#">器件功能模式</a> 、”应用和实施“部分、 <a href="#">器件和文档支持</a> 部分以及 <a href="#">机械、封装和订购信息</a> 部分.....	1
• 更新了 R <sub>θJA</sub> 值：PW = 113 至 145.7，所有值均以 °C/W 为单位.....	4

## 10 机械、封装和可订购信息

以下页面包含机械、封装和可订购信息。这些信息是指定器件可用的最新数据。数据如有变更，恕不另行通知，且不会对此文档进行修订。有关此数据表的浏览器版本，请查阅左侧的导航栏。

**PACKAGING INFORMATION**

Orderable Device	Status (1)	Package Type	Package Drawing	Pins	Package Qty	Eco Plan (2)	Lead finish/ Ball material (6)	MSL Peak Temp (3)	Op Temp (°C)	Device Marking (4/5)	Samples
5962-89547022A	ACTIVE	LCCC	FK	20	55	Non-RoHS & Green	SNPB	N / A for Pkg Type	-55 to 125	5962-89547022A SNJ54ACT08FK	<a href="#">Samples</a>
5962-8954702CA	ACTIVE	CDIP	J	14	25	Non-RoHS & Green	SNPB	N / A for Pkg Type	-55 to 125	5962-8954702CA SNJ54ACT08J	<a href="#">Samples</a>
5962-8954702DA	ACTIVE	CFP	W	14	25	Non-RoHS & Green	SNPB	N / A for Pkg Type	-55 to 125	5962-8954702DA SNJ54ACT08W	<a href="#">Samples</a>
SN74ACT08D	OBSOLETE	SOIC	D	14		TBD	Call TI	Call TI	-40 to 85	ACT08	
SN74ACT08DBR	ACTIVE	SSOP	DB	14	2000	RoHS & Green	NIPDAU	Level-1-260C-UNLIM	-40 to 85	AD08	<a href="#">Samples</a>
SN74ACT08DR	ACTIVE	SOIC	D	14	2500	RoHS & Green	NIPDAU	Level-1-260C-UNLIM	-40 to 85	ACT08	<a href="#">Samples</a>
SN74ACT08DRG3	ACTIVE	SOIC	D	14	2500	RoHS & Green	SN	Level-1-260C-UNLIM	-40 to 85	ACT08	<a href="#">Samples</a>
SN74ACT08DRG4	ACTIVE	SOIC	D	14	2500	RoHS & Green	NIPDAU	Level-1-260C-UNLIM	-40 to 85	ACT08	<a href="#">Samples</a>
SN74ACT08N	ACTIVE	PDIP	N	14	25	RoHS & Green	NIPDAU	N / A for Pkg Type	-40 to 85	SN74ACT08N	<a href="#">Samples</a>
SN74ACT08NSR	ACTIVE	SOP	NS	14	2000	RoHS & Green	NIPDAU	Level-1-260C-UNLIM	-40 to 85	ACT08	<a href="#">Samples</a>
SN74ACT08PW	OBSOLETE	TSSOP	PW	14		TBD	Call TI	Call TI	-40 to 85	AD08	
SN74ACT08PWR	ACTIVE	TSSOP	PW	14	2000	RoHS & Green	NIPDAU	Level-1-260C-UNLIM	-40 to 85	AD08	<a href="#">Samples</a>
SN74ACT08PWRG4	ACTIVE	TSSOP	PW	14	2000	RoHS & Green	NIPDAU	Level-1-260C-UNLIM	-40 to 85	AD08	<a href="#">Samples</a>
SNJ54ACT08FK	ACTIVE	LCCC	FK	20	55	Non-RoHS & Green	SNPB	N / A for Pkg Type	-55 to 125	5962-89547022A SNJ54ACT08FK	<a href="#">Samples</a>
SNJ54ACT08J	ACTIVE	CDIP	J	14	25	Non-RoHS & Green	SNPB	N / A for Pkg Type	-55 to 125	5962-8954702CA SNJ54ACT08J	<a href="#">Samples</a>
SNJ54ACT08W	ACTIVE	CFP	W	14	25	Non-RoHS & Green	SNPB	N / A for Pkg Type	-55 to 125	5962-8954702DA SNJ54ACT08W	<a href="#">Samples</a>

(1) The marketing status values are defined as follows:  
**ACTIVE:** Product device recommended for new designs.

**LIFEBUY:** TI has announced that the device will be discontinued, and a lifetime-buy period is in effect.

**NRND:** Not recommended for new designs. Device is in production to support existing customers, but TI does not recommend using this part in a new design.

**PREVIEW:** Device has been announced but is not in production. Samples may or may not be available.

**OBSOLETE:** TI has discontinued the production of the device.

<sup>(2)</sup> **RoHS:** TI defines "RoHS" to mean semiconductor products that are compliant with the current EU RoHS requirements for all 10 RoHS substances, including the requirement that RoHS substance do not exceed 0.1% by weight in homogeneous materials. Where designed to be soldered at high temperatures, "RoHS" products are suitable for use in specified lead-free processes. TI may reference these types of products as "Pb-Free".

**RoHS Exempt:** TI defines "RoHS Exempt" to mean products that contain lead but are compliant with EU RoHS pursuant to a specific EU RoHS exemption.

**Green:** TI defines "Green" to mean the content of Chlorine (Cl) and Bromine (Br) based flame retardants meet JS709B low halogen requirements of  $\leq 1000$ ppm threshold. Antimony trioxide based flame retardants must also meet the  $\leq 1000$ ppm threshold requirement.

<sup>(3)</sup> MSL, Peak Temp. - The Moisture Sensitivity Level rating according to the JEDEC industry standard classifications, and peak solder temperature.

<sup>(4)</sup> There may be additional marking, which relates to the logo, the lot trace code information, or the environmental category on the device.

<sup>(5)</sup> Multiple Device Markings will be inside parentheses. Only one Device Marking contained in parentheses and separated by a "~" will appear on a device. If a line is indented then it is a continuation of the previous line and the two combined represent the entire Device Marking for that device.

<sup>(6)</sup> Lead finish/Ball material - Orderable Devices may have multiple material finish options. Finish options are separated by a vertical ruled line. Lead finish/Ball material values may wrap to two lines if the finish value exceeds the maximum column width.

**Important Information and Disclaimer:** The information provided on this page represents TI's knowledge and belief as of the date that it is provided. TI bases its knowledge and belief on information provided by third parties, and makes no representation or warranty as to the accuracy of such information. Efforts are underway to better integrate information from third parties. TI has taken and continues to take reasonable steps to provide representative and accurate information but may not have conducted destructive testing or chemical analysis on incoming materials and chemicals. TI and TI suppliers consider certain information to be proprietary, and thus CAS numbers and other limited information may not be available for release.

In no event shall TI's liability arising out of such information exceed the total purchase price of the TI part(s) at issue in this document sold by TI to Customer on an annual basis.

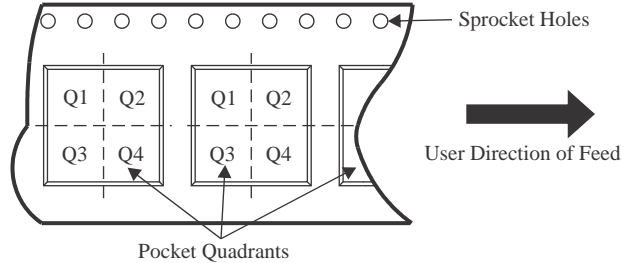
**OTHER QUALIFIED VERSIONS OF SN54ACT08, SN74ACT08 :**

- Catalog : [SN74ACT08](#)
- Automotive : [SN74ACT08-Q1](#), [SN74ACT08-Q1](#)
- Enhanced Product : [SN74ACT08-EP](#), [SN74ACT08-EP](#)
- Military : [SN54ACT08](#)

**NOTE: Qualified Version Definitions:**

- Catalog - TI's standard catalog product
- Automotive - Q100 devices qualified for high-reliability automotive applications targeting zero defects
- Enhanced Product - Supports Defense, Aerospace and Medical Applications
- Military - QML certified for Military and Defense Applications

**TAPE AND REEL INFORMATION**

**QUADRANT ASSIGNMENTS FOR PIN 1 ORIENTATION IN TAPE**


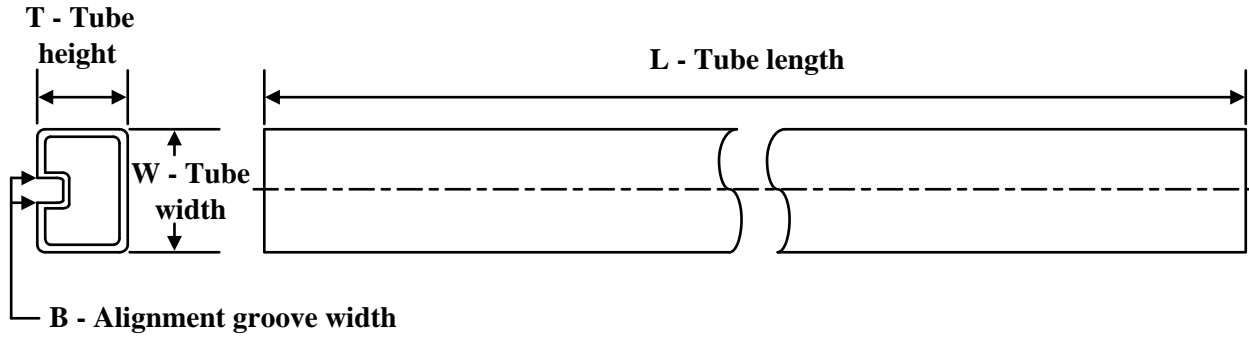
\*All dimensions are nominal

Device	Package Type	Package Drawing	Pins	SPQ	Reel Diameter (mm)	Reel Width W1 (mm)	A0 (mm)	B0 (mm)	K0 (mm)	P1 (mm)	W (mm)	Pin1 Quadrant
SN74ACT08DBR	SSOP	DB	14	2000	330.0	16.4	8.35	6.6	2.4	12.0	16.0	Q1
SN74ACT08DR	SOIC	D	14	2500	330.0	16.4	6.5	9.0	2.1	8.0	16.0	Q1
SN74ACT08DRG3	SOIC	D	14	2500	330.0	16.8	6.5	9.5	2.1	8.0	16.0	Q1
SN74ACT08DRG4	SOIC	D	14	2500	330.0	16.4	6.5	9.0	2.1	8.0	16.0	Q1
SN74ACT08DRG4	SOIC	D	14	2500	330.0	16.4	6.5	9.0	2.1	8.0	16.0	Q1
SN74ACT08NSR	SOP	NS	14	2000	330.0	16.4	8.2	10.5	2.5	12.0	16.0	Q1
SN74ACT08PWR	TSSOP	PW	14	2000	330.0	12.4	6.9	5.6	1.6	8.0	12.0	Q1
SN74ACT08PWR	TSSOP	PW	14	2000	330.0	12.4	6.9	5.6	1.6	8.0	12.0	Q1
SN74ACT08PWRG4	TSSOP	PW	14	2000	330.0	12.4	6.9	5.6	1.6	8.0	12.0	Q1
SN74ACT08PWRG4	TSSOP	PW	14	2000	330.0	12.4	6.9	5.6	1.6	8.0	12.0	Q1

**TAPE AND REEL BOX DIMENSIONS**


\*All dimensions are nominal

Device	Package Type	Package Drawing	Pins	SPQ	Length (mm)	Width (mm)	Height (mm)
SN74ACT08DBR	SSOP	DB	14	2000	356.0	356.0	35.0
SN74ACT08DR	SOIC	D	14	2500	353.0	353.0	32.0
SN74ACT08DRG3	SOIC	D	14	2500	364.0	364.0	27.0
SN74ACT08DRG4	SOIC	D	14	2500	340.5	336.1	32.0
SN74ACT08DRG4	SOIC	D	14	2500	356.0	356.0	35.0
SN74ACT08NSR	SOP	NS	14	2000	356.0	356.0	35.0
SN74ACT08PWR	TSSOP	PW	14	2000	356.0	356.0	35.0
SN74ACT08PWR	TSSOP	PW	14	2000	353.0	353.0	32.0
SN74ACT08PWRG4	TSSOP	PW	14	2000	356.0	356.0	35.0
SN74ACT08PWRG4	TSSOP	PW	14	2000	353.0	353.0	32.0

**TUBE**


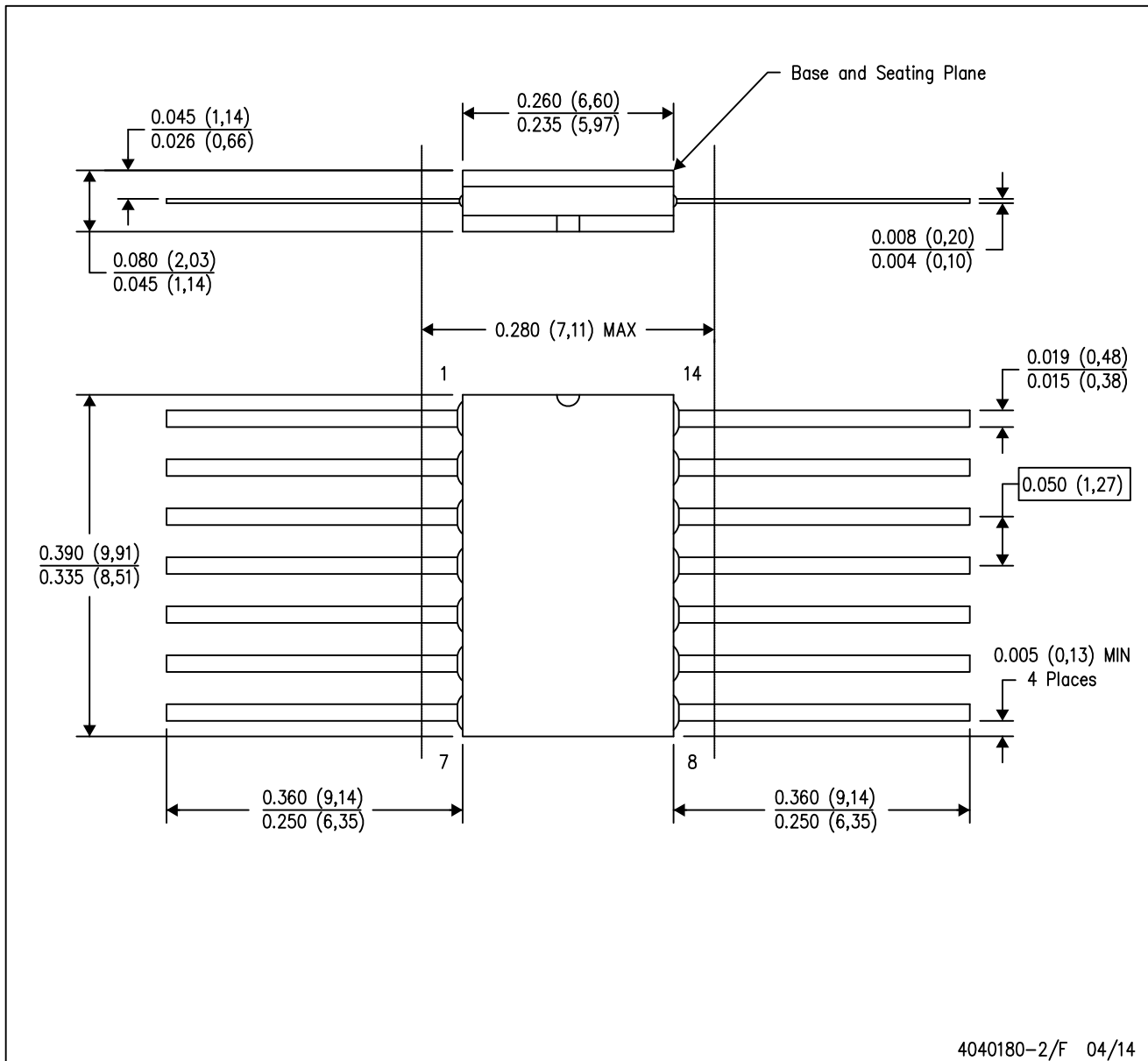
\*All dimensions are nominal

Device	Package Name	Package Type	Pins	SPQ	L (mm)	W (mm)	T (μm)	B (mm)
5962-89547022A	FK	LCCC	20	55	506.98	12.06	2030	NA
5962-8954702DA	W	CFP	14	25	506.98	26.16	6220	NA
SN74ACT08N	N	PDIP	14	25	506	13.97	11230	4.32
SN74ACT08N	N	PDIP	14	25	506	13.97	11230	4.32
SNJ54ACT08FK	FK	LCCC	20	55	506.98	12.06	2030	NA
SNJ54ACT08W	W	CFP	14	25	506.98	26.16	6220	NA



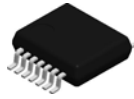
W (R-GDFP-F14)

CERAMIC DUAL FLATPACK



- NOTES:
- A. All linear dimensions are in inches (millimeters).
  - B. This drawing is subject to change without notice.
  - C. This package can be hermetically sealed with a ceramic lid using glass frit.
  - D. Index point is provided on cap for terminal identification only.
  - E. Falls within MIL STD 1835 GDFP1-F14

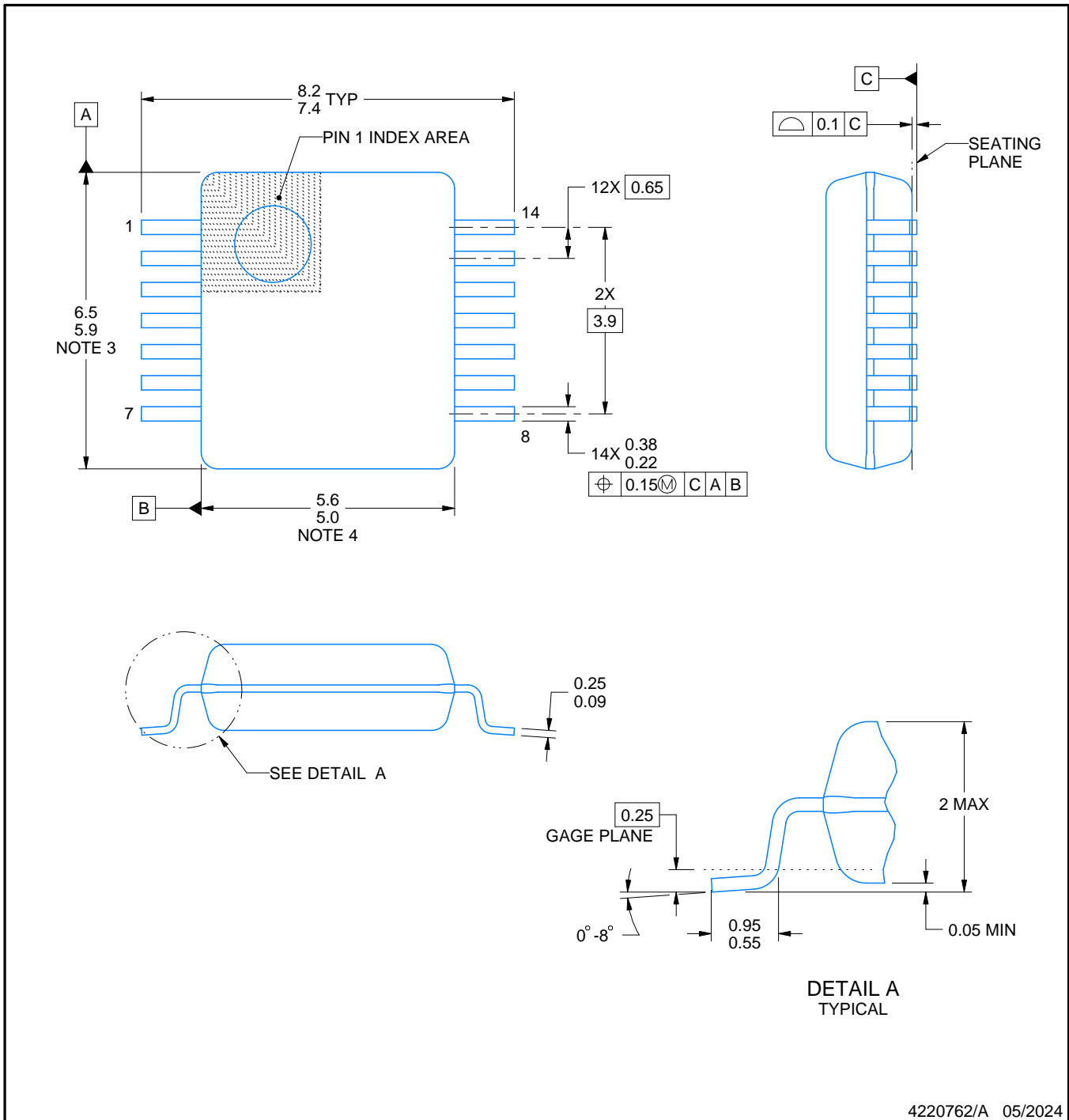
# DB0014A



# PACKAGE OUTLINE

## SSOP - 2 mm max height

SMALL OUTLINE PACKAGE



4220762/A 05/2024

### NOTES:

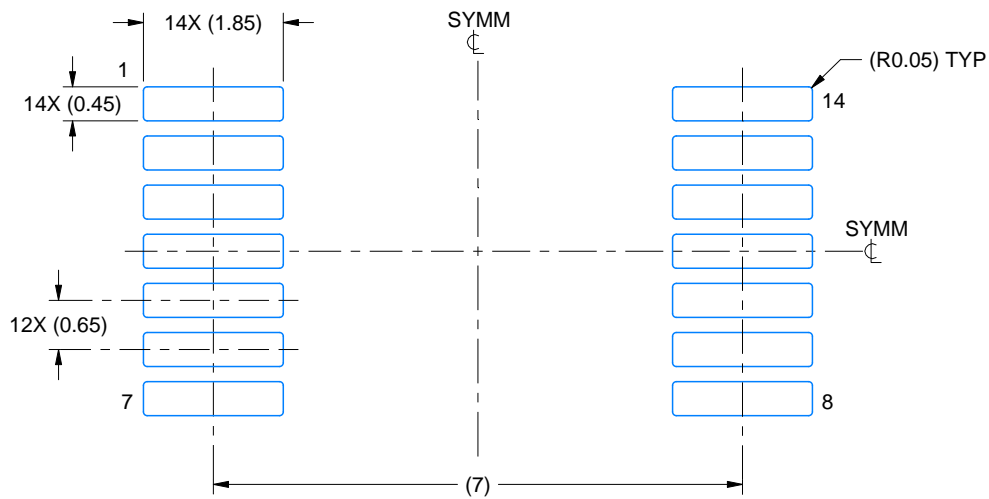
- All linear dimensions are in millimeters. Any dimensions in parenthesis are for reference only. Dimensioning and tolerancing per ASME Y14.5M.
- This drawing is subject to change without notice.
- This dimension does not include mold flash, protrusions, or gate burrs. Mold flash, protrusions, or gate burrs shall not exceed 0.15 mm per side.
- Reference JEDEC registration MO-150.

# EXAMPLE BOARD LAYOUT

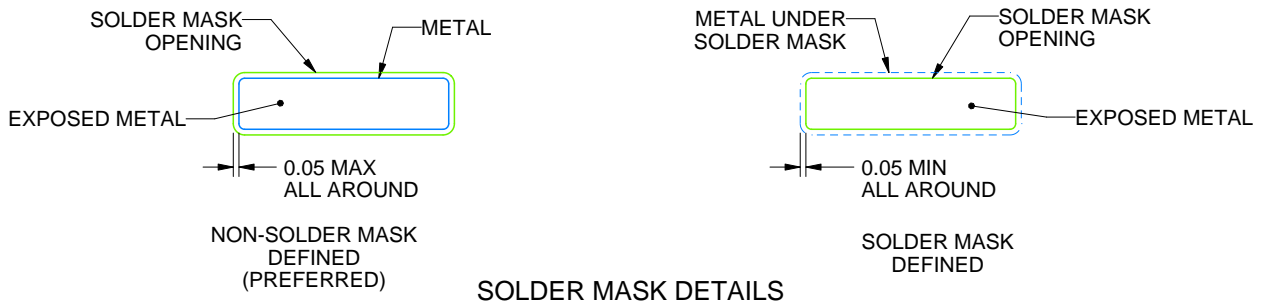
DB0014A

SSOP - 2 mm max height

SMALL OUTLINE PACKAGE



LAND PATTERN EXAMPLE  
EXPOSED METAL SHOWN  
SCALE: 10X



4220762/A 05/2024

NOTES: (continued)

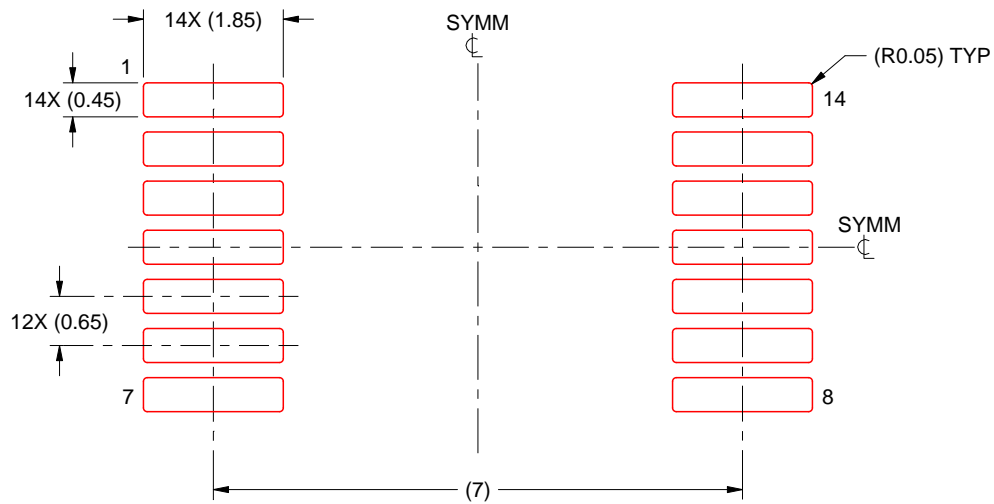
- 5. Publication IPC-7351 may have alternate designs.
- 6. Solder mask tolerances between and around signal pads can vary based on board fabrication site.

# EXAMPLE STENCIL DESIGN

DB0014A

SSOP - 2 mm max height

SMALL OUTLINE PACKAGE



SOLDER PASTE EXAMPLE  
BASED ON 0.125 mm THICK STENCIL  
SCALE: 10X

4220762/A 05/2024

NOTES: (continued)

7. Laser cutting apertures with trapezoidal walls and rounded corners may offer better paste release. IPC-7525 may have alternate design recommendations.
8. Board assembly site may have different recommendations for stencil design.

## GENERIC PACKAGE VIEW

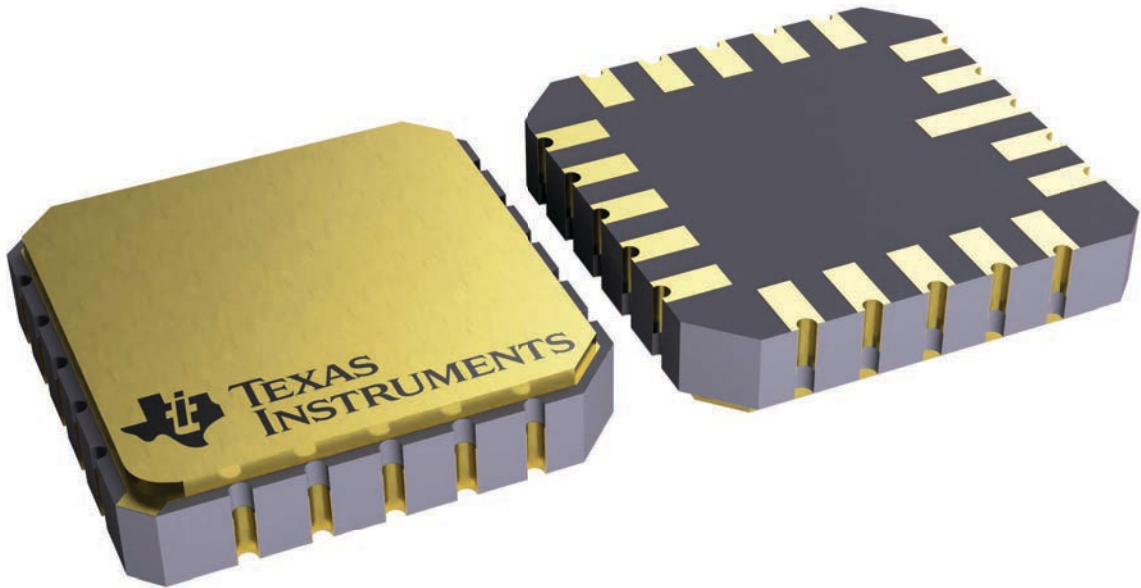
**FK 20**

**LCCC - 2.03 mm max height**

8.89 x 8.89, 1.27 mm pitch

LEADLESS CERAMIC CHIP CARRIER

This image is a representation of the package family, actual package may vary.  
Refer to the product data sheet for package details.



4229370VA\

J 14

**GENERIC PACKAGE VIEW**  
**CDIP - 5.08 mm max height**  
CERAMIC DUAL IN LINE PACKAGE



Images above are just a representation of the package family, actual package may vary.  
Refer to the product data sheet for package details.

4040083-5/G

# J0014A



## PACKAGE OUTLINE

CDIP - 5.08 mm max height

CERAMIC DUAL IN LINE PACKAGE



4214771/A 05/2017

### NOTES:

1. All controlling linear dimensions are in inches. Dimensions in brackets are in millimeters. Any dimension in brackets or parenthesis are for reference only. Dimensioning and tolerancing per ASME Y14.5M.
2. This drawing is subject to change without notice.
3. This package is hermetically sealed with a ceramic lid using glass frit.
4. Index point is provided on cap for terminal identification only and on press ceramic glass frit seal only.
5. Falls within MIL-STD-1835 and GDIP1-T14.

# EXAMPLE BOARD LAYOUT

J0014A

CDIP - 5.08 mm max height

CERAMIC DUAL IN LINE PACKAGE



LAND PATTERN EXAMPLE  
NON-SOLDER MASK DEFINED  
SCALE: 5X



4214771/A 05/2017



N (R-PDIP-T\*\*)

PLASTIC DUAL-IN-LINE PACKAGE

16 PINS SHOWN



4040049/E 12/2002

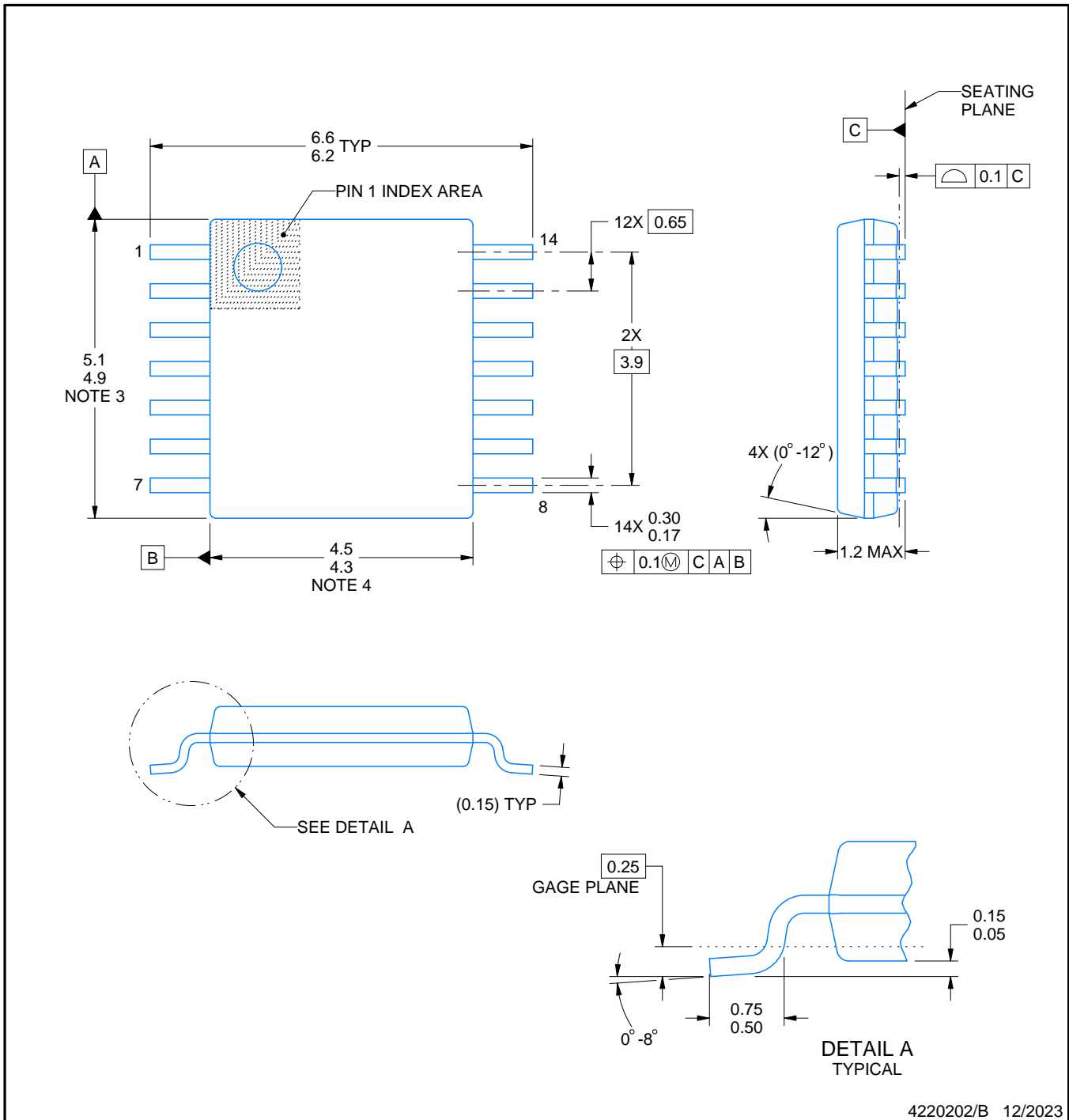
- NOTES:
- A. All linear dimensions are in inches (millimeters).
  - B. This drawing is subject to change without notice.
  - $\triangle C$  Falls within JEDEC MS-001, except 18 and 20 pin minimum body length (Dim A).
  - $\triangle D$  The 20 pin end lead shoulder width is a vendor option, either half or full width.

PW0014A



**PACKAGE OUTLINE**  
**TSSOP - 1.2 mm max height**

SMALL OUTLINE PACKAGE



4220202/B 12/2023

NOTES:

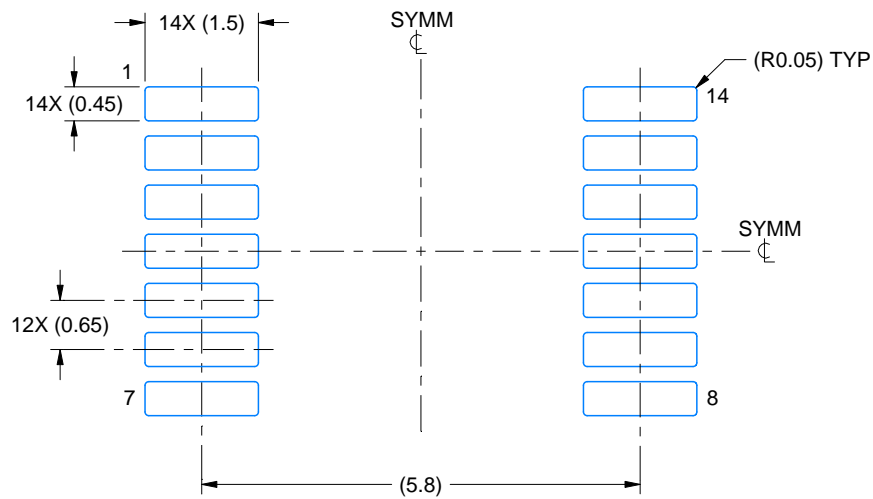
1. All linear dimensions are in millimeters. Any dimensions in parenthesis are for reference only. Dimensioning and tolerancing per ASME Y14.5M.
2. This drawing is subject to change without notice.
3. This dimension does not include mold flash, protrusions, or gate burrs. Mold flash, protrusions, or gate burrs shall not exceed 0.15 mm per side.
4. This dimension does not include interlead flash. Interlead flash shall not exceed 0.25 mm per side.
5. Reference JEDEC registration MO-153.

# EXAMPLE BOARD LAYOUT

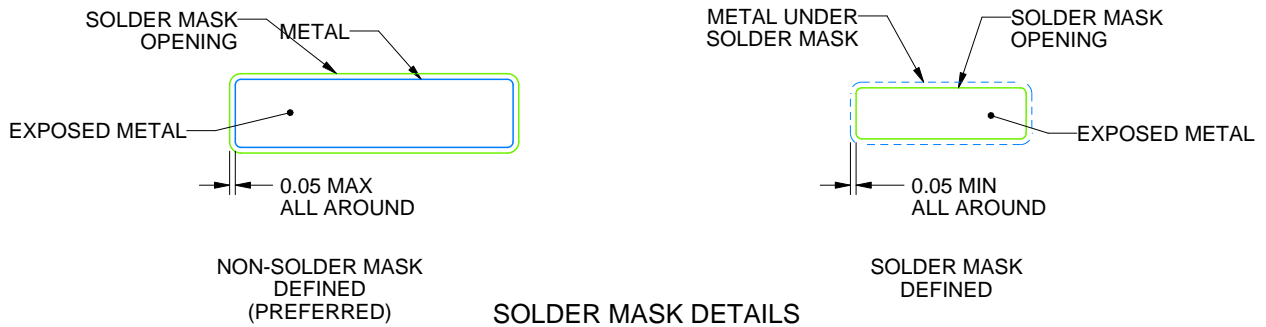
PW0014A

TSSOP - 1.2 mm max height

SMALL OUTLINE PACKAGE



LAND PATTERN EXAMPLE  
EXPOSED METAL SHOWN  
SCALE: 10X



4220202/B 12/2023

NOTES: (continued)

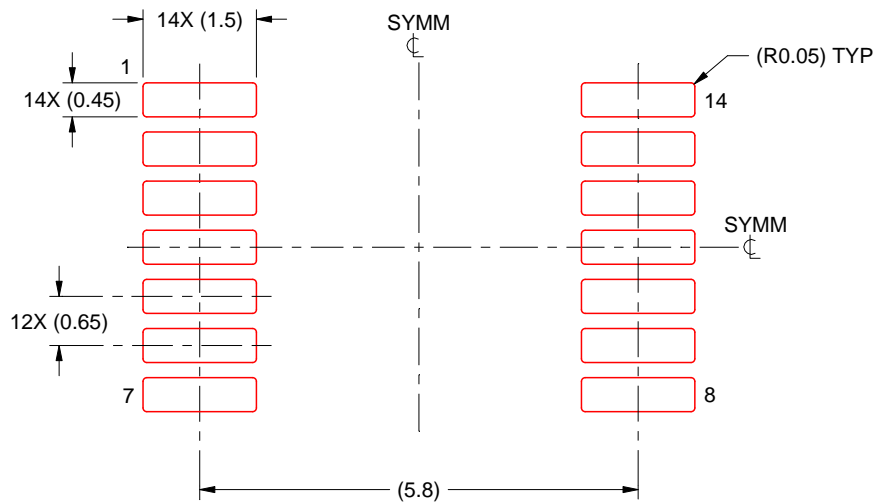
- 6. Publication IPC-7351 may have alternate designs.
- 7. Solder mask tolerances between and around signal pads can vary based on board fabrication site.

# EXAMPLE STENCIL DESIGN

PW0014A

TSSOP - 1.2 mm max height

SMALL OUTLINE PACKAGE



SOLDER PASTE EXAMPLE  
BASED ON 0.125 mm THICK STENCIL  
SCALE: 10X

4220202/B 12/2023

NOTES: (continued)

8. Laser cutting apertures with trapezoidal walls and rounded corners may offer better paste release. IPC-7525 may have alternate design recommendations.
9. Board assembly site may have different recommendations for stencil design.

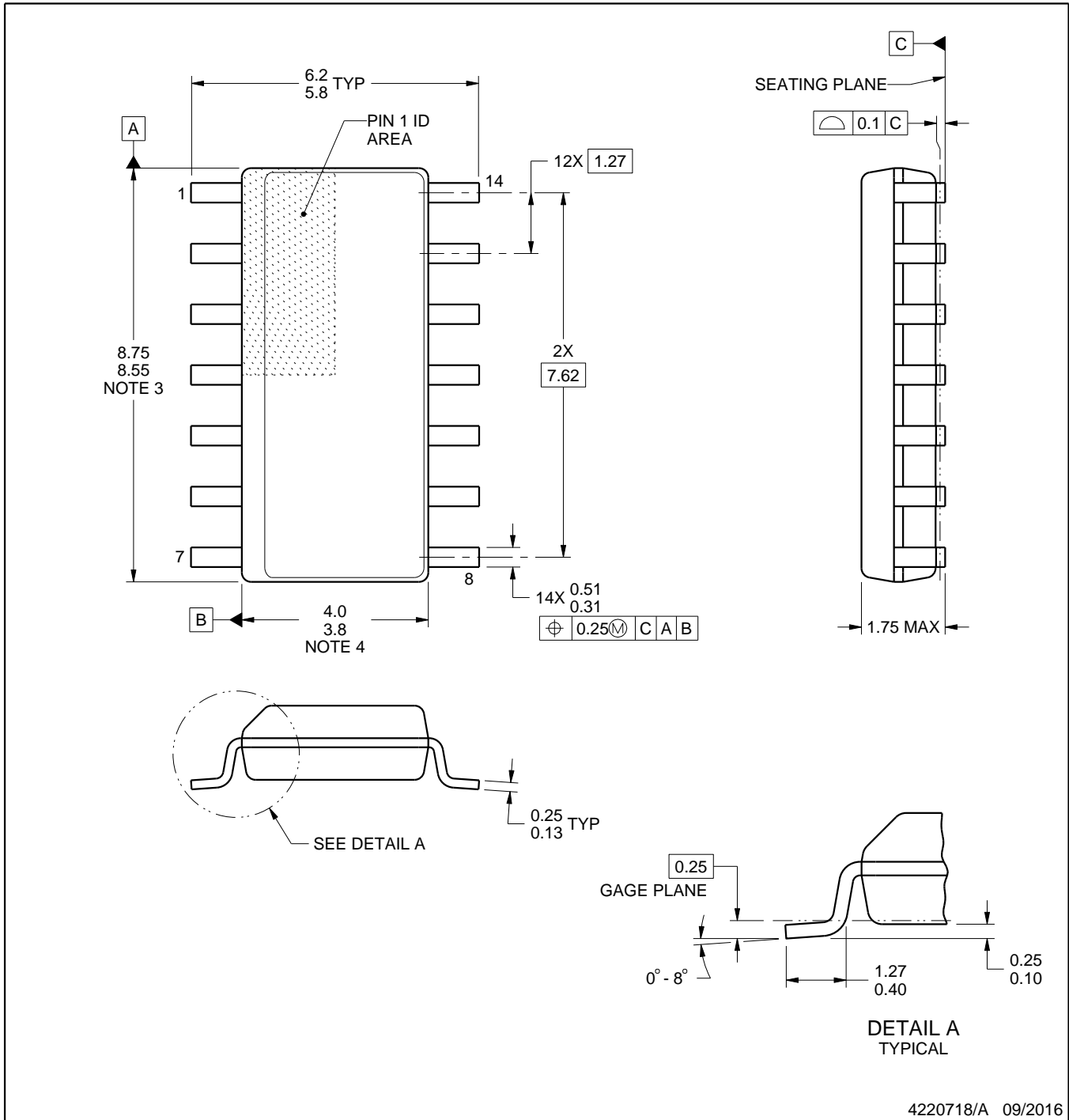
D0014A



# PACKAGE OUTLINE

## SOIC - 1.75 mm max height

SMALL OUTLINE INTEGRATED CIRCUIT



4220718/A 09/2016

NOTES:

1. All linear dimensions are in millimeters. Dimensions in parenthesis are for reference only. Dimensioning and tolerancing per ASME Y14.5M.
2. This drawing is subject to change without notice.
3. This dimension does not include mold flash, protrusions, or gate burrs. Mold flash, protrusions, or gate burrs shall not exceed 0.15 mm, per side.
4. This dimension does not include interlead flash. Interlead flash shall not exceed 0.43 mm, per side.
5. Reference JEDEC registration MS-012, variation AB.

# EXAMPLE BOARD LAYOUT

D0014A

SOIC - 1.75 mm max height

SMALL OUTLINE INTEGRATED CIRCUIT



LAND PATTERN EXAMPLE  
SCALE:8X



SOLDER MASK DETAILS

4220718/A 09/2016

NOTES: (continued)

- 6. Publication IPC-7351 may have alternate designs.
- 7. Solder mask tolerances between and around signal pads can vary based on board fabrication site.

# EXAMPLE STENCIL DESIGN

D0014A

SOIC - 1.75 mm max height

SMALL OUTLINE INTEGRATED CIRCUIT



SOLDER PASTE EXAMPLE  
BASED ON 0.125 mm THICK STENCIL  
SCALE:8X

4220718/A 09/2016

NOTES: (continued)

8. Laser cutting apertures with trapezoidal walls and rounded corners may offer better paste release. IPC-7525 may have alternate design recommendations.
9. Board assembly site may have different recommendations for stencil design.

# MECHANICAL DATA

NS (R-PDSO-G\*\*)

PLASTIC SMALL-OUTLINE PACKAGE

14-PINS SHOWN



- NOTES:
- A. All linear dimensions are in millimeters.
  - B. This drawing is subject to change without notice.
  - C. Body dimensions do not include mold flash or protrusion, not to exceed 0,15.



## 重要声明和免责声明

TI“按原样”提供技术和可靠性数据（包括数据表）、设计资源（包括参考设计）、应用或其他设计建议、网络工具、安全信息和其他资源，不保证没有瑕疵且不做任何明示或暗示的担保，包括但不限于对适销性、某特定用途方面的适用性或不侵犯任何第三方知识产权的暗示担保。

这些资源可供使用 TI 产品进行设计的熟练开发人员使用。您将自行承担以下全部责任：(1) 针对您的应用选择合适的 TI 产品，(2) 设计、验证并测试您的应用，(3) 确保您的应用满足相应标准以及任何其他功能安全、信息安全、监管或其他要求。

这些资源如有变更，恕不另行通知。TI 授权您仅可将这些资源用于研发本资源所述的 TI 产品的应用。严禁对这些资源进行其他复制或展示。您无权使用任何其他 TI 知识产权或任何第三方知识产权。您应全额赔偿因在这些资源的使用中对 TI 及其代表造成的任何索赔、损害、成本、损失和债务，TI 对此概不负责。

TI 提供的产品受 [TI 的销售条款](#) 或 [ti.com](#) 上其他适用条款/TI 产品随附的其他适用条款的约束。TI 提供这些资源并不会扩展或以其他方式更改 TI 针对 TI 产品发布的适用的担保或担保免责声明。

TI 反对并拒绝您可能提出的任何其他或不同的条款。

邮寄地址：Texas Instruments, Post Office Box 655303, Dallas, Texas 75265  
Copyright © 2024，德州仪器 (TI) 公司