

## 具有阻塞总线恢复功能的 TCA4307 热插拔 I<sup>2</sup>C 总线和 SMBus 缓冲器

### 1 特性

- 支持 I<sup>2</sup>C 总线信号的双向数据传输
- 工作电源电压范围为 2.3V 至 5.5V
- -40°C 至 125°C 的 T<sub>A</sub> 环境空气温度范围
- 具有自动总线恢复功能的阻塞总线恢复
- 对所有 SDA 和 SCL 线路的 1V 预充电可防止带电板插入过程中发生损坏
- 可适应标准模式及快速模式 I<sup>2</sup>C 器件
- 支持时钟展宽、仲裁及同步
- 断电高阻抗 I<sup>2</sup>C 引脚

### 2 应用

- 服务器
- 企业交换
- 电信交换设备
- 基站
- 工业自动化设备

### 3 说明

TCA4307 是一款热插拔 I<sup>2</sup>C 总线缓冲器，支持将 I/O 卡插入带电背板中，而不会损坏数据和破坏时钟线路。控制电路可防止背板侧 I<sup>2</sup>C 线路（输入）与板卡侧 I<sup>2</sup>C 线路（输出）相连接（直到背板上出现停止命令或总线

空闲情况为止），而不会在板卡上发生总线争用的情况。当建立连接时，该器件可提供双向缓冲，从而使背板及板卡电容保持隔离。在插入过程中，会对 SDA 和 SCL 线路预充电至 1V，从而有效减小对器件的寄生电容充电所需的电流。

TCA4307 具有阻塞总线恢复功能，当它检测到 SDAOUT 或 SCLOUT 处于低电平状态大约 40ms 时，将自动断开总线。总线断开之后，该器件会在 SCLOUT 上自动生成多达 16 个脉冲，以尝试复位使总线保持低电平的器件。

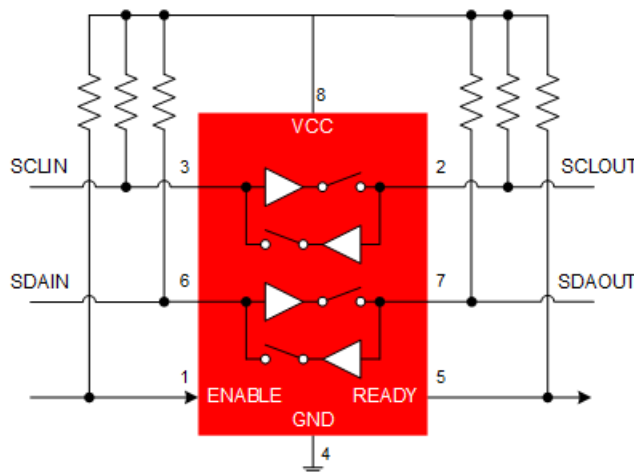
当 I<sup>2</sup>C 总线空闲时，可通过将 EN 引脚设置为低电平将 TCA4307 置于关断模式，从而降低功耗。当 EN 被拉高时，TCA4307 将恢复正常运行。该器件还包括一个开漏 READY 输出引脚，该引脚负责在背板与板卡侧相连时发出指示信号。当 READY 引脚为高电平时，SDAIN 和 SCLIN 被连接至 SDAOUT 和 SCLOUT。当两侧断开时，READY 引脚为低电平。

#### 封装信息

器件型号	封装 <sup>(1)</sup>	封装尺寸 <sup>(2)</sup>
TCA4307	VSSOP ( DGK, 8 )	3mm × 4.9mm
	WSON ( DRG, 8 )	3mm x 3mm

(1) 有关详细信息，请参阅节 11。

(2) 封装尺寸（长 × 宽）为标称值，并包括引脚（如适用）。



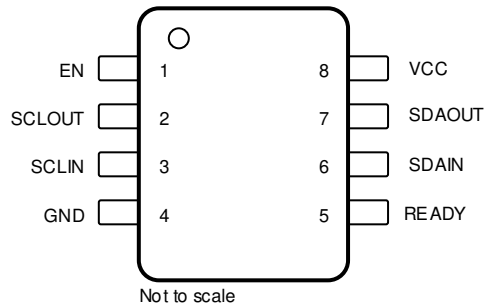
简化版原理图



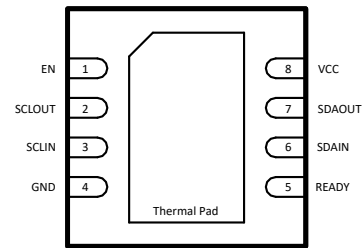
## Table of Contents

<b>1 特性</b> .....	<b>1</b>	7.3 Feature Description.....	<b>10</b>
<b>2 应用</b> .....	<b>1</b>	7.4 Device Functional Modes.....	<b>10</b>
<b>3 说明</b> .....	<b>1</b>	<b>8 Application and Implementation</b> .....	<b>12</b>
<b>4 Pin Configuration and Functions</b> .....	<b>3</b>	8.1 Application Information.....	<b>12</b>
<b>5 Specifications</b> .....	<b>4</b>	8.2 Typical Application.....	<b>12</b>
5.1 Absolute Maximum Ratings.....	<b>4</b>	8.3 Power Supply Recommendations.....	<b>16</b>
5.2 ESD Ratings.....	<b>4</b>	8.4 Layout.....	<b>16</b>
5.3 Recommended Operating Conditions.....	<b>4</b>	<b>9 Device and Documentation Support</b> .....	<b>18</b>
5.4 Thermal Information.....	<b>4</b>	9.1 Receiving Notification of Documentation Updates....	<b>18</b>
5.5 Electrical Characteristics.....	<b>5</b>	9.2 支持资源.....	<b>18</b>
5.6 Timing Requirements.....	<b>6</b>	9.3 Trademarks.....	<b>18</b>
5.7 Switching Characteristics.....	<b>6</b>	9.4 静电放电警告.....	<b>18</b>
<b>6 Parameter Measurement Information</b> .....	<b>8</b>	9.5 术语表.....	<b>18</b>
<b>7 Detailed Description</b> .....	<b>9</b>	<b>10 Revision History</b> .....	<b>18</b>
7.1 Overview.....	<b>9</b>	<b>11 Mechanical, Packaging, and Orderable</b>	
7.2 Functional Block Diagram.....	<b>9</b>	<b>Information</b> .....	<b>18</b>

## 4 Pin Configuration and Functions



Not to scale  
**图 4-1. 8-Pin VSSOP, DGK Package (Top View)**



**图 4-2. 8-Pin WSON, DRG Package (Top View)**

PIN		TYPE	DESCRIPTION
NAME	NO.		
EN	1	I	Active-high chip enable pin. If EN is low, the TCA4307 is in a low current mode. It also disables the rise-time accelerators, disables the bus pre-charge circuitry, drives READY low, isolates SDAIN from SDAOUT and isolates SCLIN from SCLOUT. EN should be high (at VCC) for normal operation. Connect EN to VCC if this feature is not being used.
SCLOUT	2	I/O	Serial clock output. Connect this pin to the SCL bus on the card.
SCLIN	3	I/O	Serial clock input. Connect this pin to the SCL bus on the backplane.
GND	4	-	Supply ground
READY	5	O	Connection flag/rise-time accelerator control. Ready is low when either EN is low or the start-up sequence has not been completed. READY goes high when EN is high and start-up is complete. Connect a 10-k $\Omega$ resistor from this pin to V <sub>CC</sub> to provide the pull-up current.
SDAIN	6	I/O	Serial data input. Connect this pin to the SDA bus on the backplane.
SDAOUT	7	I/O	Serial data output. Connect this pin to the SDA bus on the card.
VCC	8	-	Supply Power. Main input power supply from backplane. This is the supply voltage for the devices on the backplane I <sup>2</sup> C buses. Connect pull-up resistors from SDAIN and SCLIN (and also from SDAOUT and SCLOUT) to this supply. It is recommended to place a bypass capacitor of 0.1 $\mu$ F close to this pin for best results.

## 5 Specifications

### 5.1 Absolute Maximum Ratings

Over operating free-air temperature range (unless otherwise noted)<sup>(1)</sup>

			MIN	MAX	UNIT
Input Voltage	VCC		- 0.5	7	V
	SDAIN, SCLIN, SDAOUT, SCLOUT		- 0.5	7	V
	EN, READY		- 0.5	7	V
I <sub>IK</sub>	Input clamp current	V <sub>I</sub> < 0		- 50	mA
I <sub>OK</sub>	Output clamp current	V <sub>O</sub> < 0		- 50	mA
I <sub>O</sub>	Continuous output current	SDAIN, SDAOUT, SCLIN, SCLOUT, EN, READY		±50	mA
I <sub>CC</sub>	Continuous current through VCC or GND			±100	mA
T <sub>J</sub>	Maximum junction temperature			130	°C
T <sub>stg</sub>	Storage temperature		- 65	150	°C

- (1) Stresses beyond those listed under *Absolute Maximum Rating* may cause permanent damage to the device. These are stress ratings only, which do not imply functional operation of the device at these or any other conditions beyond those indicated under *Recommended Operating Condition*. Exposure to absolute-maximum-rated conditions for extended periods may affect device reliability.

### 5.2 ESD Ratings

			VALUE	UNIT
V <sub>(ESD)</sub>	Electrostatic discharge	Human body model (HBM), per ANSI/ESDA/ JEDEC JS-001, all pins <sup>(1)</sup>	±3500	V
		Charged device model (CDM), per JEDEC specification JESD22-C101, all pins <sup>(2)</sup>	±1000	

- (1) JEDEC document JEP155 states that 500-V HBM allows safe manufacturing with a standard ESD control process  
(2) JEDEC document JEP157 states that 250-V CDM allows safe manufacturing with a standard ESD control process

### 5.3 Recommended Operating Conditions

Over operating free-air temperature range (unless otherwise noted)

			MIN	MAX	UNIT
V <sub>CC</sub>	Supply voltage		2.3	5.5	V
V <sub>I</sub>	Input voltage range	EN input	0	5.5	
V <sub>IO</sub>	Input/output voltage range		0	5.5	
V <sub>O</sub>	Output voltage range	READY	0	5.5	
T <sub>A</sub>	Ambient temperature		- 40	125	°C

### 5.4 Thermal Information

THERMAL METRIC <sup>(1)</sup>		TCA4307	TCA4307	UNIT
		DGK	DRG	
		8 Pin	8 Pin	
R <sub>θJA</sub>	Junction-to-ambient thermal resistance	177.1	58.4	°C/W
R <sub>θJC(top)</sub>	Junction-to-case (top) thermal resistance	64.5	61.3	°C/W
R <sub>θJB</sub>	Junction-to-board thermal resistance	99.6	31.5	°C/W
Ψ <sub>JT</sub>	Junction-to-top characterization parameter	9.5	2.4	°C/W
Ψ <sub>JB</sub>	Junction-to-board characterization parameter	97.9	31.4	°C/W

THERMAL METRIC <sup>(1)</sup>		TCA4307		UNIT
		DGK	DRG	
		8 Pin	8 Pin	
$R_{\theta JC(bot)}$	Junction-to-case (bottom) thermal resistance	N/A	14.8	°C/W

(1) For more information about traditional and new thermal metrics, see the [Semiconductor and IC Package Thermal Metrics](#) application report.

## 5.5 Electrical Characteristics

Over operating free-air temperature range (unless otherwise noted). Typical specifications are at  $T_A = 25\text{ }^\circ\text{C}$ ,  $V_{CC} = 3.3\text{ V}$ , unless otherwise noted.

PARAMETER		TEST CONDITIONS	MIN	TYP	MAX	UNIT
<b>POWER SUPPLY</b>						
$I_{CC}$	Supply current	$V_{CC} = 5.5\text{ V}$ SDAIN, SCLIN = 0V SDAOUT, SCLOUT = 10k $R_{PU}$		2.5	4.5	mA
$I_{SD}$	Supply current in shutdown mode through the $V_{CC}$ pin <sup>(1)</sup>	EN = 0 V SDAIN, SCLIN, SDAOUT, SCLOUT = 0V or $V_{CC}$ READY pin = Hi-Z EN pulled low after bus connection event (disable precharge)		10	30	$\mu\text{A}$
UVLO	Under voltage lockout (rising)	EN = $V_{CC}$		2.1		V
	Under voltage lockout (falling)	READY = 10 k $\Omega$ to $V_{CC}$		2		V
<b>START-UP CIRCUITRY</b>						
$V_{PRE}$	Pre-charge voltage	SDA, SCL = Hi-Z	0.8	1	1.2	V
<b>RISE-TIME ACCELERATORS</b>						
$I_{PU}$	RTA pull-up current <sup>(2)</sup>	Position transition on SDA, SCL $V_{SDA/SCL} = 0.6\text{ V}$ , Slew rate = 1.25 V/ $\mu\text{s}$ . $V_{CC} = 3.3\text{ V}$	2	5		mA
<b>INPUT-OUTPUT CONNECTION</b>						
$I_{LI}$	Input pin leakage	SDA/SCL pins = 90% $V_{CC}$ , EN = $V_{CC}$ , GND SDA/SCL pins = 10% $V_{CC}$ , EN = GND	-1		1	$\mu\text{A}$
$V_{OS}$	Input-output offset voltage (SCLIN to SCLOUT, SCLOUT to SCLIN and SDAIN to SDAOUT, SDAOUT to SDAIN)	$R_{PU}$ for SDA/SCL = 10 k $\Omega$		60	100	mV
$I_{I\_RDY}$	Ready pin leakage	EN = $V_{CC}$ , READY = $V_{CC}$ , Bus connected	-1		1	$\mu\text{A}$
<b>DIGITAL IO THRESHOLD</b>						
$V_{IH}$	High-level input voltage	EN	$0.7 \times V_{CC}$		$V_{CC}$	V
$V_{IL}$	Low-level input voltage	EN	0		$0.3 \times V_{CC}$	
$V_{OL}$	Low-level output voltage	SDAIN, SCLIN, SDAOUT, SCLOUT $I_{OL} = 4\text{ mA}$ $V_{IN} = 0.1\text{ V}$		0.15	0.4	
		READY $I_{OL} = 3\text{ mA}$	0		0.4	
<b>DYNAMIC CHARACTERISTICS</b>						

## 5.5 Electrical Characteristics (续)

Over operating free-air temperature range (unless otherwise noted). Typical specifications are at  $T_A = 25\text{ }^\circ\text{C}$ ,  $V_{CC} = 3.3\text{ V}$ , unless otherwise noted.

PARAMETER		TEST CONDITIONS	MIN	TYP	MAX	UNIT
$C_{IN(EN)}$	EN input capacitance	$V_{EN} = 0\text{ V}$ or $V_{CC}$ $f = 400\text{ kHz}$		1.6	4	pF
$C_{IO(READY)}$	READY output capacitance	$V_{READY} = 0\text{ V}$ or $V_{CC}$ $f = 400\text{ kHz}$		7	10	
$C_{IO(SDA/SCL)}$	SDA/SCL pin capacitance	$V_{PIN} = 0\text{ V}$ or $V_{CC}$ $f = 400\text{ kHz}$		5	10	
<b>STUCK BUS RECOVERY</b>						
$t_{STUCKBUS}$	Stuck bus timer		25	40	65	ms
$f_{SB\_SCLOUT}$	Stuck bus recovery clock frequency		5.5	8.5	14	kHz
$V_{OL}$	Low level output during stuck bus clock output	$I_{OL} = 4\text{ mA}$	0		0.4	V

- (1) In shutdown mode there will also be current flowing from  $V_{CC}$  through the ready pin as this pin is pulled down to indicate the bus is disconnected.
- (2) Determined by design, not tested in production.

## 5.6 Timing Requirements

		MIN	NOM	MAX	UNIT
$f_{SCL\_MAX}$	Maximum SCL clock frequency	400			kHz
$t_{BUF}^{(1)}$	Bus free time between a STOP and START condition	1.3			$\mu\text{s}$
$t_{HD;STA}^{(1)}$	Hold time for a repeated START condition	0.6			$\mu\text{s}$
$t_{SU;STA}^{(1)}$	Set-up time for a repeated START condition	0.6			$\mu\text{s}$
$t_{SU;STO}^{(1)}$	Set-up time for a STOP condition	0.6			$\mu\text{s}$
$t_{HD;DAT}^{(1)}$	Data hold time	0			ns
$t_{SU;DAT}^{(1)}$	Data set-up time	100			ns
$t_{LOW}^{(1)}$	LOW period of the SCL clock	1.3			$\mu\text{s}$
$t_{HIGH}^{(1)}$	HIGH period of the SCL clock	0.6			$\mu\text{s}$
$t_f^{(1)}$	Fall time of both SDA and SCL signals	$20 \times$ $(V_{CC}/5.5$ $\text{V})$		300	ns
$t_r^{(1)}$	Rise time of both SDA and SCL signals	$20 \times$ $(V_{CC}/5.5$ $\text{V})$		300	ns

- (1) These are system-level timing specs and are dependent upon bus capacitance and pull up resistor value. It is up to the system designer to ensure they are met

## 5.7 Switching Characteristics

Over operating free-air temperature range (unless otherwise noted). Typical specifications are at  $T_A = 25\text{ }^\circ\text{C}$ ,  $V_{CC} = 3.3\text{ V}$ , unless otherwise noted.

PARAMETER		TEST CONDITIONS	MIN	TYP	MAX	UNIT
<b>START-UP CIRCUITRY</b>						
$t_{PRECHARGE}$	Time from $V_{CC}$ to precharge enabled	SDA,SCL = Hi-Z EN = $V_{CC}$ , GND		15	60	$\mu\text{s}$
$t_{EN}$	Time from $V_{POR}$ to digital being ready	VCC transition from 0V to $V_{CC}$ Time from $V_{PORR}$ to earliest stop bit recongized		35	95	$\mu\text{s}$

## 5.7 Switching Characteristics (续)

Over operating free-air temperature range (unless otherwise noted). Typical specifications are at  $T_A = 25\text{ }^\circ\text{C}$ ,  $V_{CC} = 3.3\text{ V}$ , unless otherwise noted.

PARAMETER		TEST CONDITIONS	MIN	TYP	MAX	UNIT
$t_{IDLE}$	Bus idle time to READY active	SDA,SCL = 10 k $\Omega$ to $V_{CC}$ EN = $V_{CC}$ Measured at 0.5 $\times$ $V_{CC}$		95	150	$\mu\text{s}$
$t_{DISABLE}$	Time from EN high to low to READY low	SDA,SCL = 10 k $\Omega$ to $V_{CC}$ READY = 10 k $\Omega$ to $V_{CC}$ Measured at 0.5 $\times$ $V_{CC}$		30	200	ns
$t_{STOP}$	SDAIN to READY delay after stop condition	SDA,SCL = 10 k $\Omega$ to $V_{CC}$ READY = 10 k $\Omega$ to $V_{CC}$ Measured at 0.5 $\times$ $V_{CC}$		1.2	2	$\mu\text{s}$
$t_{READY}$	SCLOUT/SDAOUT to READY	SDA,SCL = 10 k $\Omega$ to $V_{CC}$ READY = 10 k $\Omega$ to $V_{CC}$ Measured at 0.5 $\times$ $V_{CC}$		0.8	1.5	$\mu\text{s}$
<b>INPUT-OUTPUT CONNECTION</b>						
$t_{PLZ}$	Low to high propagation delay	$R_{PU}$ for SDA/SCL = 10 k $\Omega$ $C_L = 100\text{ pF}$ per pin Measured at 0.5 $\times$ $V_{CC}$		0	10	ns
$t_{PZL}$	High to low propagation delay	$R_{PU}$ for SDA/SCL = 10 k $\Omega$ $C_L = 100\text{ pF}$ per pin Measured at 0.5 $\times$ $V_{CC}$		70	150	ns

## 6 Parameter Measurement Information

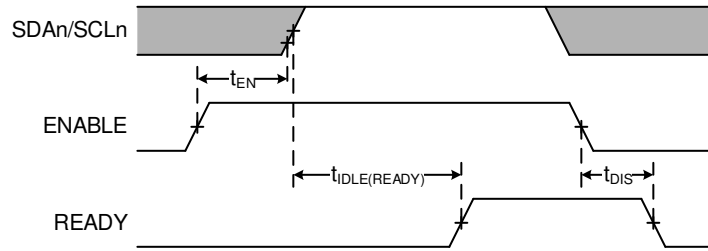


图 6-1. Timing for  $t_{EN}$ ,  $t_{IDLE(READY)}$ , and  $t_{DIS}$

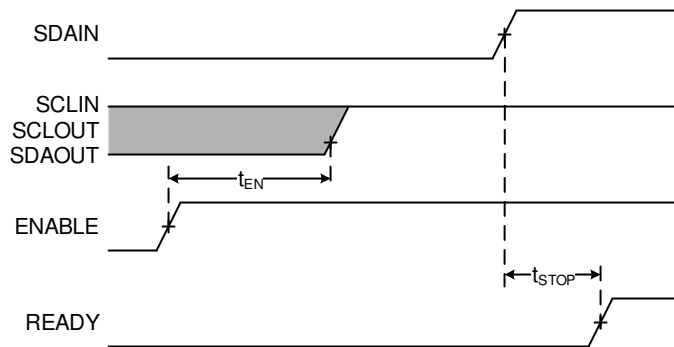


图 6-2. Timing for  $t_{STOP}$



## 7 Detailed Description

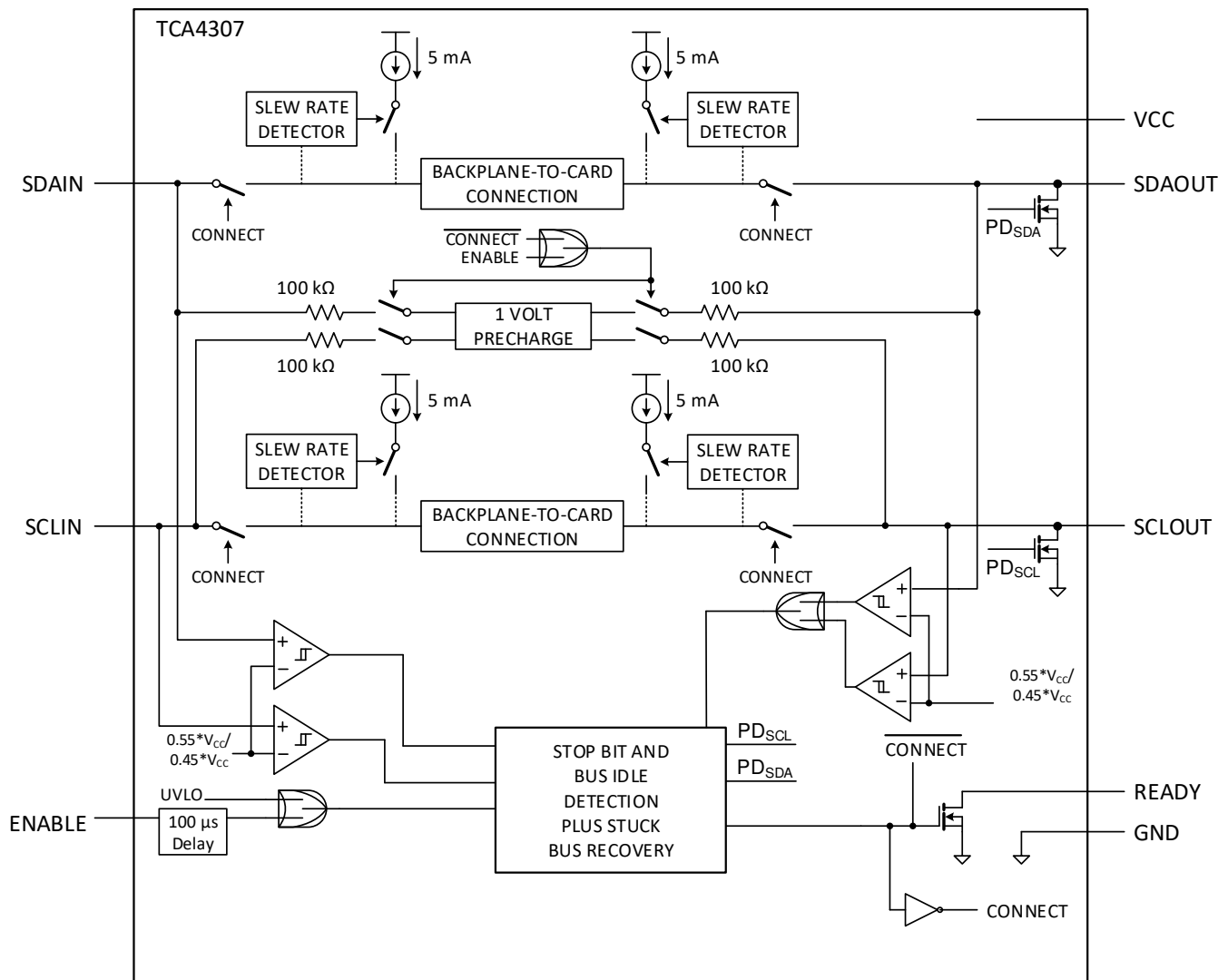
### 7.1 Overview

The TCA4307 is a hot-swappable I<sup>2</sup>C bus buffer that supports I/O card insertion into a live backplane without corruption of the data and clock buses. Control circuitry prevents the backplane from being connected to the card until a stop command or bus idle condition occurs on the backplane without bus contention on the card. When the connection is made, this device provides bidirectional buffering, keeping the backplane and card capacitances isolated. During insertion, the SDA and SCL lines are pre-charged to 1 V to minimize the current required to charge the parasitic capacitance of the device.

The TCA4307 has stuck bus recovery, which will automatically disconnect the bus if it detects that SDAOUT or SCLOUT are low for about 40 ms. Once the bus is disconnected, the device will automatically generate up to 16 pulses on SCLOUT to attempt to free the bus from the device which is holding it low.

When the I<sup>2</sup>C bus is idle, the TCA4307 is put into shutdown mode by setting the EN pin low. When EN is high, the TCA4307 resumes normal operation. It also includes an open drain READY output pin, which indicates that the backplane and card sides are connected together. When READY is high, the SDAIN and SCLIN are connected to SDAOUT and SCLOUT. When the two sides are disconnected, READY is low.

### 7.2 Functional Block Diagram



## 7.3 Feature Description

### 7.3.1 Hot bus insertion

During a hot bus insertion event, the TCA4307 keeps the buses disconnected to ensure that no data corruption occurs on either bus. Once the buses are idle or a stop bit on the IN side is detected, the TCA4307 connects the buses and READY goes high.

### 7.3.2 Pre-charge voltage

Both the SDA and SCL pins feature a 1-V pre-charge circuit through an internal 100 k $\Omega$  resistor prior to the pins being connected to an I<sup>2</sup>C bus. This feature helps minimize disruptions as a result of a hot bus insertion event.

### 7.3.3 Rise time accelerators

The TCA4307 features a rise time accelerator (RTA) on all I<sup>2</sup>C pins that during a positive bus transition, switches on a current source to quickly slew the bus pins high. This allows the use of weaker pull-up resistors, which can lower V<sub>OLS</sub> and lower power system level power consumption.

### 7.3.4 Bus ready output indicator

The READY pin is an open drain output that provides an indicator to whether the buses are connected and ready for traffic. This pin is pulled low when the connection between IN/OUT is high impedance. Once the bus is idle or a stop condition on the IN side is detected, and the connection between IN/OUT is made, the READY pin is released and pulled high by an external pull-up resistor, signaling that it is ready for traffic.

### 7.3.5 Powered-off high impedance for I<sup>2</sup>C and I/O pins

When the supply voltage is below the UVLO threshold, the I<sup>2</sup>C and digital I/O pins are a high impedance state to prevent leakage currents from flowing through the device. When the EN pin is taken low, the device enters an isolation state, presenting a high impedance on all bus pins and pulling the READY pin low.

### 7.3.6 Supports clock stretching and arbitration

The TCA4307 supports full clock stretching, and arbitration without lock up.

### 7.3.7 Stuck bus recovery

When SDAOUT or SCLOUT is low, an internal timer is started. After the timer expires, the TCA4307 will disconnect the IN/OUT buses and then clock the SCLOUT pin in an attempt to unstick the bus, generating up to 16 clock pulses. Once the clock pulses are complete, the device will generate a stop bit and release the bus. The device will then look for the same connection requirements as described in [节 7.4.2](#) before reconnecting the IN/OUT buses.

## 7.4 Device Functional Modes

### 7.4.1 Start-up and precharge

When the TCA4307 first receives power on the VCC pin, either during power-up or during live insertion, it starts in an under voltage lockout (UVLO) state, ignoring any activity on the SDA and SCL pins until V<sub>CC</sub> rises above UVLO.

Once the ENABLE pin goes high, the ‘Stop Bit and Bus Idle’ detect circuit is enabled and the device enters the bus idle state.

When V<sub>CC</sub> rises above UVLO, the precharge circuitry will activate, which biases the bus pins on both sides to about 1 V through an internal 100 k $\Omega$  resistor.

### 7.4.2 Bus idle

After the Stop Bit and Bus Idle detect circuits are enabled the device enters the bus idle state. The pre-charge circuitry becomes active and forces 1 V through 100 k $\Omega$  nominal resistors to the SCL and SDA pins. The pre-charge circuitry minimizes the voltage differential seen by the SCL/SDA pins during a hot insertion event. This minimizes the amount of disturbance seen by the I/O card.

The device waits for the SDAIN and SCLIN pins to be high for the bus idle time or a STOP condition to be observed on the IN pins. The SDAOUT and SCLOUT pins must be high and the SDAIN and SCLIN pins must meet 1 of the 2 qualifiers (idle timer or a STOP condition) before connecting SDAIN to SDAOUT and SCLIN to SCLOUT. Once the bus connections have been made, the pre-charge circuitry is disabled and the device enters the bus active state.

#### **7.4.3 Bus active**

In the bus active mode, the I<sup>2</sup>C IN and OUT pins are connected, and the input is passed bi-directionally from IN/OUT side of the bus to the OUT/IN side respectively. The buses remain connected until the EN pin is taken low.

When the bus is connected, the driven-low side of the device is reflected on the opposite side, but with a small offset voltage. For example, if the input is pulled low to 100 mV, the output side will be pulled to roughly 160 mV. This offset allows the device to determine which side is currently being driven and avoid getting stuck low.

For the TCA4307, once a stuck bus event is detected (about 40 ms), the bus disconnects, even if EN is high.

#### **7.4.4 Bus stuck**

Once a stuck bus condition has been detected on SDAOUT or SCLOUT, the TCA4307 disconnects the bus and begins a sequence to attempt to recover the bus. First, the OUT side is disconnected from the IN side. READY will go low to signal that the bus is disconnected. Second, the TCA4307 will begin generating clocks on SCLOUT, up to 16. It will constantly monitor the state of SDAOUT to see if it has been released. Clocking will continue until 16 clocks are generated, or the SDAOUT releases. Once the SDAOUT releases, the TCA4307 will stop clocking and will generate a stop condition to terminate the recovery sequence. The last step is to go back to the bus-idle state and wait for an idle bus on both sides or a stop condition to ensure it's safe to connect the bus.

## 8 Application and Implementation

### 备注

Information in the following applications sections is not part of the TI component specification, and TI does not warrant its accuracy or completeness. TI's customers are responsible for determining suitability of components for their purposes. Customers should validate and test their design implementation to confirm system functionality.

### 8.1 Application Information

The typical application is to place the TCA4307 on the card that is being inserted or connected to a live bus, rather than being placed on the live bus. The reason for this is to provide maximum benefit by ensuring that the bus stays disconnected until an idle condition or stop condition is seen.

### 8.2 Typical Application

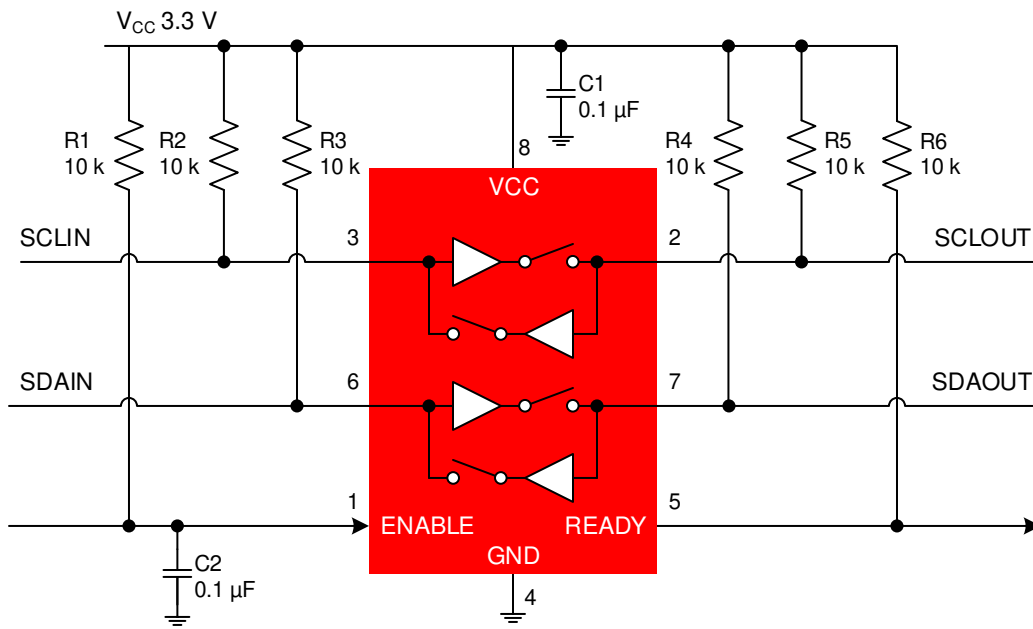


图 8-1. General Application Schematic

### 8.2.1 Design Requirements

#### 8.2.1.1 Series connections

It is possible to have multiple buffers in series, but care must be taken when designing a system.

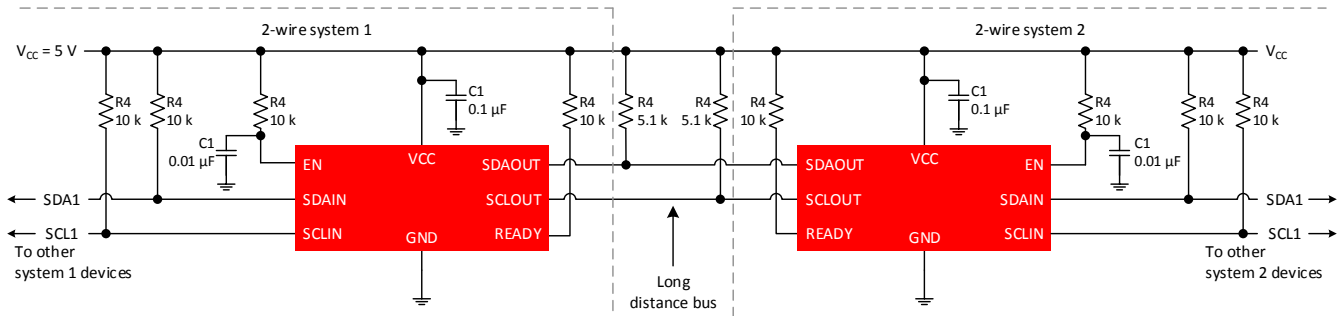


图 8-2. Series Buffer Connections

Each buffer adds approximately 60 mV of offset. Maximum offset ( $V_{\text{OFFSET}}$ ) should be considered. The low level at the signal origination end is dependent upon bus load. The I<sup>2</sup>C-bus specification requires that a 3 mA current produces no larger than a 0.4 V  $V_{\text{OL}}$ . As an example, if the  $V_{\text{OL}}$  at the controller is 0.1 V, and there are 4 buffers in series (each adding about 60 mV), then the  $V_{\text{OL}}$  at the farthest buffer is approximately 0.34 V. This device has a rise time accelerator (RTA) that activates at 0.6 V. With great care, a system with 4 buffers may work, but as the  $V_{\text{OL}}$  moves up, it may be possible to trigger the RTA, creating a false edge on the clock.

It is recommended to limit the number of buffers in series to two, and to keep the load light to minimize the offset.

Another special consideration of series connections is the effect on round-trip-delay. This is the sum of propagation delays through the buffers and any effects on rise time. It is possible that fast mode speeds (400 kHz) are not possible due to delays and bus loading.

### 8.2.1.2 Multiple connections to a common node

It is possible to have multiple buffers in connect to a common node, but care must be taken when designing a system.

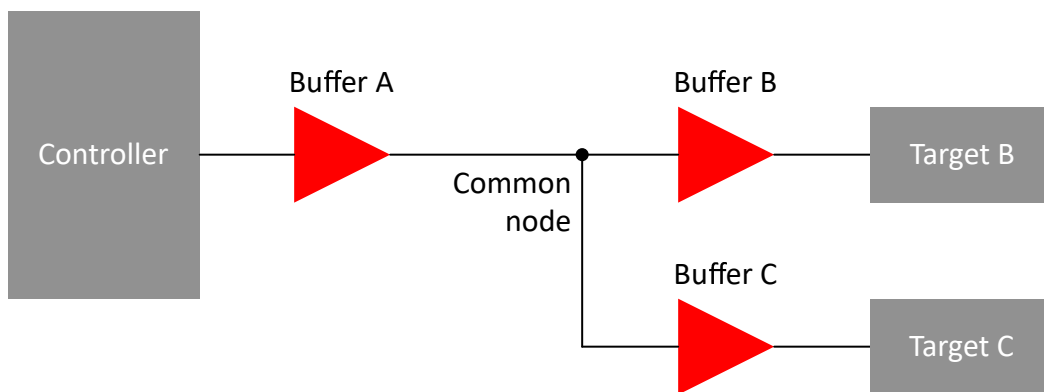


图 8-3. Connections to Common Node

It is important to try and avoid common node architectures. The multiple nodes sharing a common node can create glitches if the output voltage from a controller target device plus the offset voltage of the buffer are high enough to trip the RTA. Also keep in mind that the  $V_{\text{OS}}$  must be crossed in order for a device to begin to regulate the other side.

Consider a system with three buffers connected to a common node and communication between the Controller and Target B that are connected at either end of buffer A and buffer B in series as shown in 图 8-3. Consider if the  $V_{\text{OL}}$  at the input of buffer A is 0.3 V and the  $V_{\text{OL}}$  of Target B (when acknowledging) is 0.36 V with the direction changing from Controller and Target B and then from Target B to Controller. Before the direction change the user should observe  $V_{\text{IL}}$  at the input of buffer A of 0.3 V and its output, the common node, is ~0.36 V. The output of buffer B and buffer C would be ~0.42 V, but Target B is driving 0.4 V, so the voltage at Target B is 0.4 V. The output of buffer C is ~0.52 V. When the controller pull-down turns off, the input of buffer A rises and so does its output, the common node, because it is the only part driving the node. The common node rises to ~0.5 V before the buffer B output turns on, if the pull-up is strong the node may bounce. If the bounce goes above the threshold for the rising edge accelerator ~0.6 V, the accelerators on both buffer A and buffer C will fire, contending with the output of buffer B. The node on the input of buffer A goes high as will the input node of buffer C. After the common node voltage is stable for a while, the rising edge accelerators turn off, and the common node returns to ~0.5 V because the buffer B is still on. The voltage at both the Controller and Target C nodes then fall to ~0.6 V until Target B turned off. This does not cause a failure on the data line as long as the return to 0.5 V on the common node (~0.56 V at the Controller and Target C) occurred before the data setup time. If this were the SCL line, the parts on buffer A and buffer C would see a false clock rather than a stretched clock, which causes a system error.

### 8.2.1.3 Propagation delays

The delay for a rising edge is determined by the combined pull-up current from the bus resistors and the rise time accelerator current source and the effective capacitance on the lines. If the pull-up currents are the same, any difference in rise time is directly proportional to the difference in capacitance between the two sides. The  $t_{PLH}$  may be negative if the output capacitance is less than the input capacitance and would be positive if the output capacitance is larger than the input capacitance, when the currents are the same.

The  $t_{PHL}$  can never be negative because the output does not start to fall until the input is below  $0.7 \times V_{CC}$ , the output turn on has a non-zero delay, and the output has a limited maximum slew rate. Even if the input slew rate is slow enough that the output catches up, it would still lag the falling voltage of the input by the offset voltage. The maximum  $t_{PHL}$  occurs when the input is driven low with a very fast slew rate and the output is still limited by its turn-on delay and the falling edge slew rate.

### 8.2.2 Detailed Design Procedure

The system pull-up resistors must be strong enough to provide a positive slew rate of  $1.25 \text{ V}/\mu\text{s}$  on the SDA and SCL pins, in order to activate the boost pull-up currents during rising edges. Choose maximum resistor value using the formula given in [方程式 1](#).

$$R \leq 800 \times 10^3 \left( \frac{V_{CC(MIN)} - 0.6}{C} \right) \quad (1)$$

where  $R$  is the pull-up resistor value in  $\Omega$ ,  $V_{CC(MIN)}$  is the minimum  $V_{CC}$  voltage in volts, and  $C$  is the equivalent bus capacitance in picofarads (pF).

In addition, regardless of the bus capacitance, always choose  $R_{PU} \leq 65.7 \text{ k}\Omega$  for  $V_{CC} = 5.5 \text{ V}$ ,  $R_{PU} \leq 45 \text{ k}\Omega$  for  $V_{CC} = 3.3 \text{ V}$ , and  $R_{PU} \leq 33 \text{ k}\Omega$  for  $V_{CC} = 2.5 \text{ V}$ . The start-up circuitry requires logic HIGH voltages on SDAOUT and SCLOUT to connect the backplane to the card, and these pull-up values are needed to overcome the pre-charge voltage.

### 8.2.3 Application Curves

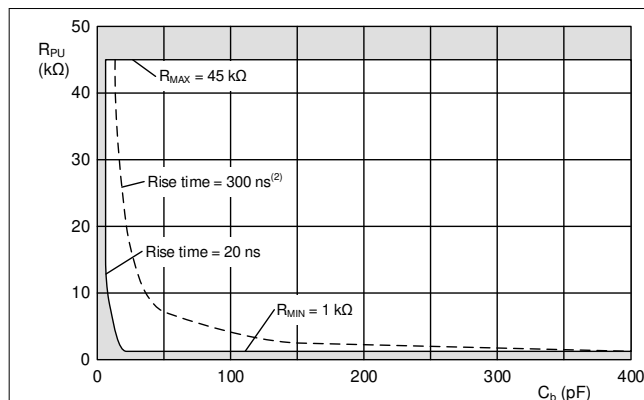


图 8-4. Example Bus Requirements for 3.3 V Systems

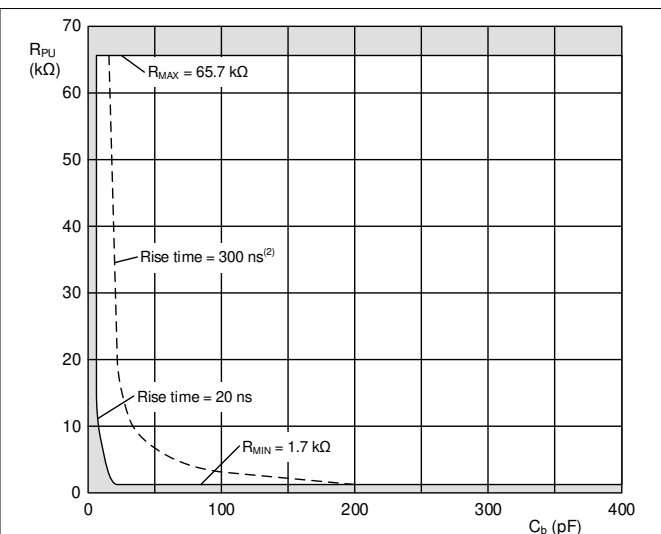


图 8-5. Example Bus Requirements for 5 V Systems

## 8.2.4 Typical Application on a Backplane

As shown in 图 8-6, the TCA4307 is used in a backplane connection. The TCA4307 is placed on the I/O peripheral card and connects the I<sup>2</sup>C devices on the card to the backplane safely upon a hot insertion event. Note that if the I/O cards were plugged directly into the backplane, all of the backplane and card capacitances would add directly together, making rise time and fall time requirements difficult to meet. Placing a bus buffer on the edge of each card; however, isolates the card capacitance from the backplane. For a given I/O card, the TCA4307 drives the capacitance of everything on the card and the backplane must drive only the capacitance of the bus buffer, which is less than 10 pF, the connector, trace, and all additional cards on the backplane.

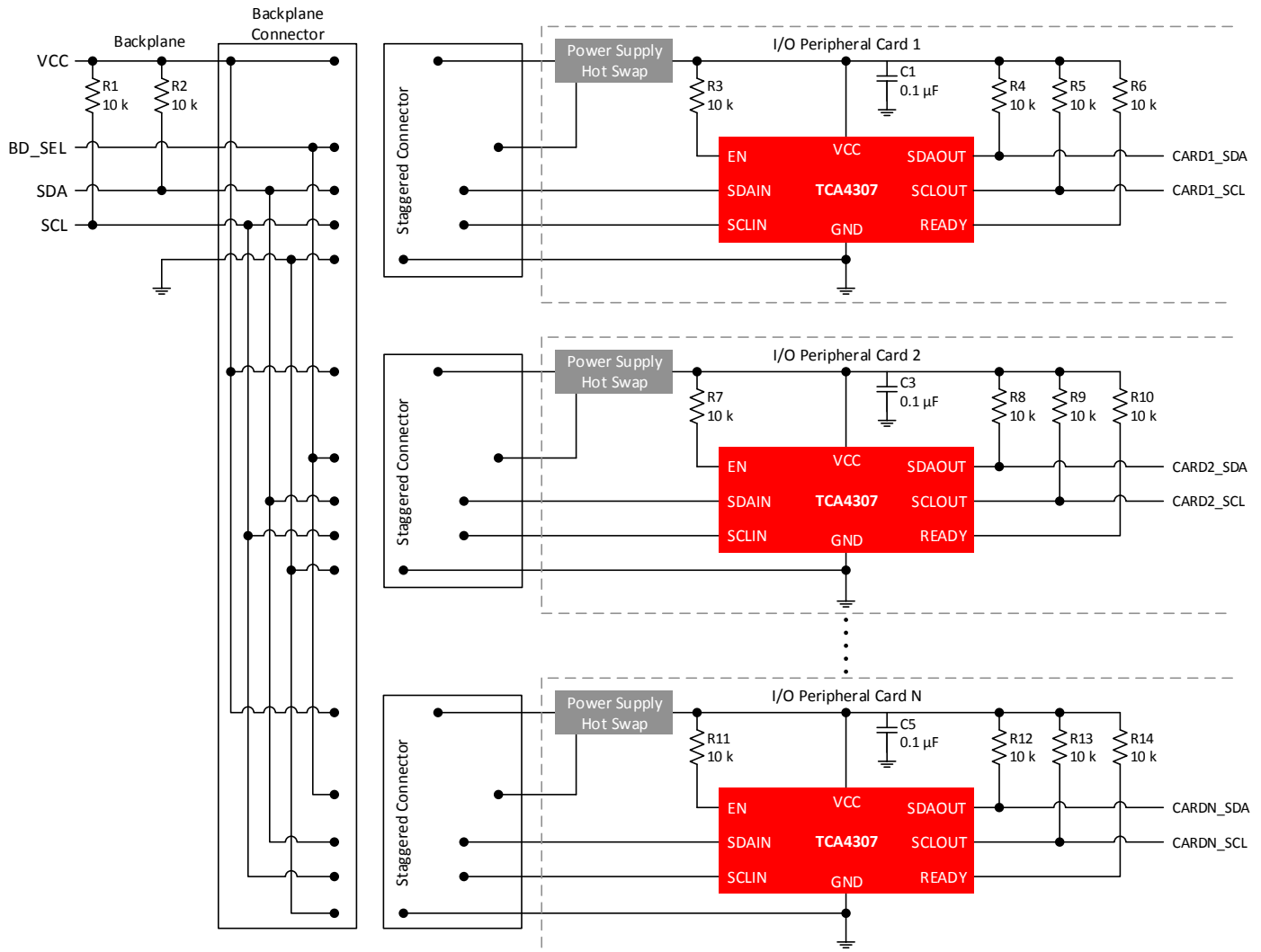


图 8-6. Backplane Application Schematic

### 8.2.4.1 Design Requirements

There are a few considerations when using these hot swap buffers. It is NOT recommended to place the TCA4307 on the backplane connector as it cannot isolate the cards from one another which will possibly result in disturbing on-going I<sup>2</sup>C transactions. Instead, place the TCA4307 on the I/O peripheral card to maximize benefit.

### 8.2.4.2 Detailed Design Procedure

The design procedure is the same as outlined in 节 8.2.2.

## 8.3 Power Supply Recommendations

### 8.3.1 Power Supply Best Practices

In order for the pre-charge circuitry to dampen the effect of hot-swap insertion of the TCA4307 into an active I<sup>2</sup>C bus, V<sub>CC</sub> must be applied before the SCL and SDA pins make contact to the main I<sup>2</sup>C bus. This is essential when the TCA4307 is placed on the add-on card circuit board, as in [节 8.2.4](#). Although the pre-charge circuitry exists on both the -IN and -OUT side, the example in [节 8.2.4](#) shows SCLIN and SDAIN connecting to the main bus. The supply voltage to VCC can be applied early by ensuring that the VCC and GND pin contacts are physically longer than the contacts for the SCLIN and SDAIN pins. If a voltage supervisor is used to control the voltage supply on the add-on card, additional delay exists before the 1 V pre-charge voltage is present on the SCL and SDA pins.

### 8.3.2 Power-on Reset Requirements

Make sure the part starts up in the correct state. It is recommended that the power supply ramp rates meet the requirements in [表 8-1](#).

**表 8-1. Recommended supply ramp rates**

Parameter		MIN	MAX	UNIT
t <sub>RT</sub>	Rise rate	0.1	1000	ms
t <sub>FT</sub>	Fall rate	0.1	1000	ms

## 8.4 Layout

### 8.4.1 Layout Guidelines

For printed circuit board (PCB) layout of the TCA4307, common PCB layout practices should be followed but additional concerns related to high-speed data transfer such as matched impedances and differential pairs are not a concern for I<sup>2</sup>C signal speeds. In all PCB layouts, it is a best practice to avoid right angles in signal traces, to fan out signal traces away from each other upon leaving the vicinity of an integrated circuit (IC), and to use thicker trace widths to carry higher amounts of current that commonly pass through power and ground traces. By-pass and de-coupling capacitors are commonly used to control the voltage on the VCC pin, using a larger capacitor to provide additional power in the event of a short power supply glitch and a smaller capacitor to filter out high frequency ripple. These capacitors should be placed as close to the TCA4307 as possible. These best practices are shown in [节 8.4.2](#).

The layout example provided in [节 8.4.2](#) shows a 4 layer board, which is preferable for boards with higher density signal routing. On a 4 layer PCB, it is common to route signals on the top and bottom layer, dedicate one internal layer to a ground plane, and dedicate the other internal layer to a power plane. In a board layout using planes or split planes for power and ground, vias are placed directly next to the surface mount component pad which needs to attach to V<sub>CC</sub> or GND and the via is connected electrically to the internal layer or the other side of the board. Vias are also used when a signal trace needs to be routed to the opposite side of the board, shown in the [节 8.4.2](#) for the VCC side of the resistor connected to the EN pin; however, this routing and via is not necessary if V<sub>CC</sub> and GND are both full planes as opposed to the partial planes depicted.



### 8.4.2 Layout Example

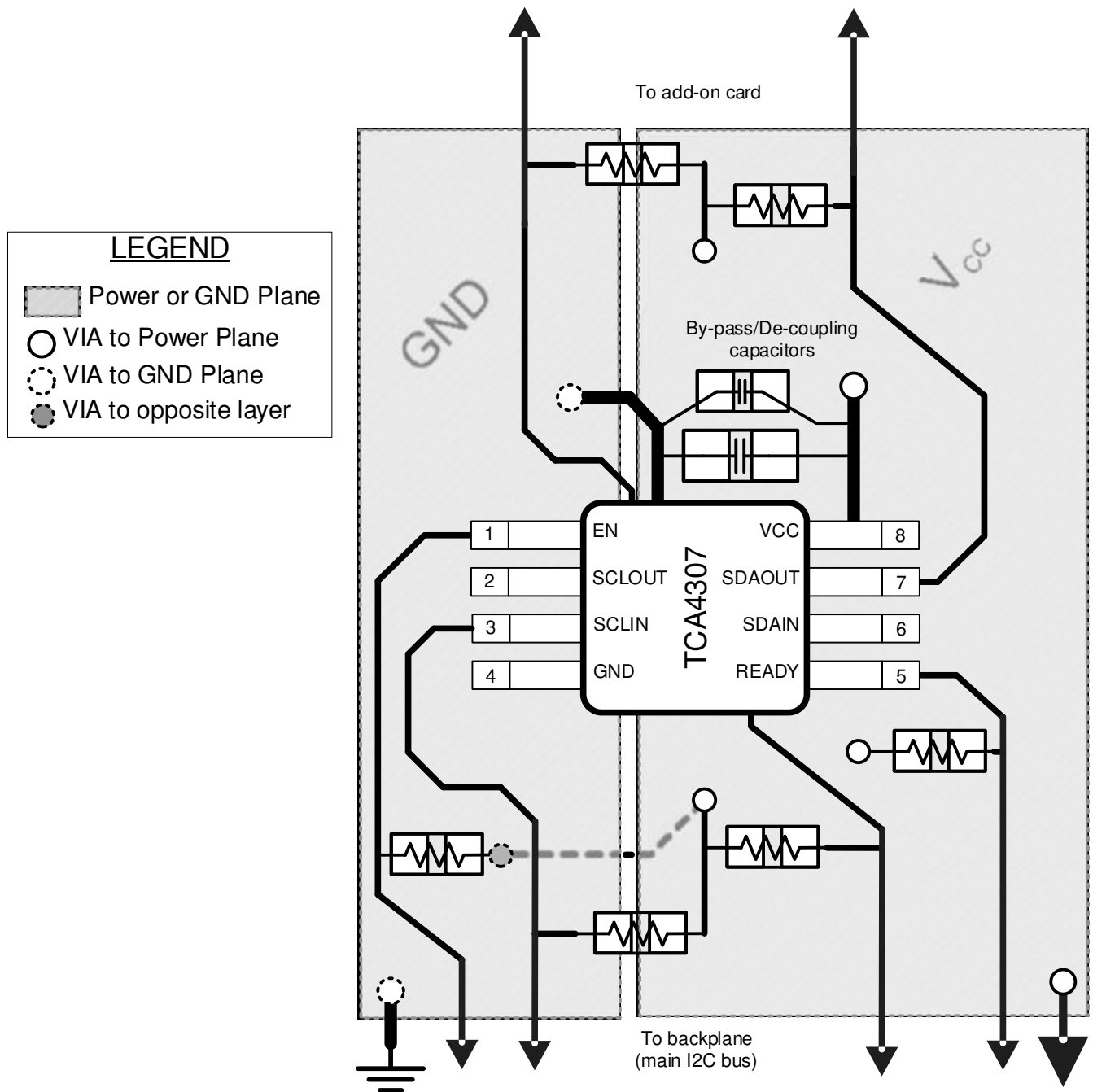


图 8-7. Layout example for TCA4307

## 9 Device and Documentation Support

### 9.1 Receiving Notification of Documentation Updates

To receive notification of documentation updates, navigate to the device product folder on [ti.com](http://ti.com). In the upper right corner, click on *Alert me* to register and receive a weekly digest of any product information that has changed. For change details, review the revision history included in any revised document.

### 9.2 支持资源

[TI E2E™ 中文支持论坛](#) 是工程师的重要参考资料，可直接从专家处获得快速、经过验证的解答和设计帮助。搜索现有解答或提出自己的问题，获得所需的快速设计帮助。

链接的内容由各个贡献者“按原样”提供。这些内容并不构成 TI 技术规范，并且不一定反映 TI 的观点；请参阅 TI 的[使用条款](#)。

### 9.3 Trademarks

TI E2E™ is a trademark of Texas Instruments.

所有商标均为其各自所有者的财产。

### 9.4 静电放电警告



静电放电 (ESD) 会损坏这个集成电路。德州仪器 (TI) 建议通过适当的预防措施处理所有集成电路。如果不遵守正确的处理和安装程序，可能会损坏集成电路。

ESD 的损坏小至导致微小的性能降级，大至整个器件故障。精密的集成电路可能更容易受到损坏，这是因为非常细微的参数更改都可能会导致器件与其发布的规格不相符。

### 9.5 术语表

[TI 术语表](#) 本术语表列出并解释了术语、首字母缩略词和定义。

## 10 Revision History

注：以前版本的页码可能与当前版本的页码不同

Changes from Revision A (October 2023) to Revision B (November 2023)	Page
• 删除了 <i>封装信息</i> 表中 DGR 封装的“产品预发布”说明.....	1

Changes from Revision * (August 2020) to Revision A (October 2023)	Page
• 将提到 I <sup>2</sup> C 的旧术语实例通篇更改为控制器和目标.....	1
• 向 <i>封装信息</i> 表中添加了 DRG 封装.....	1
• Added DRG to the <i>Thermal Information</i> table.....	4

## 11 Mechanical, Packaging, and Orderable Information

The following pages include mechanical, packaging, and orderable information. This information is the most current data available for the designated devices. This data is subject to change without notice and revision of this document. For browser-based versions of this data sheet, refer to the left-hand navigation.

**PACKAGING INFORMATION**

Orderable Device	Status (1)	Package Type	Package Drawing	Pins	Package Qty	Eco Plan (2)	Lead finish/ Ball material (6)	MSL Peak Temp (3)	Op Temp (°C)	Device Marking (4/5)	Samples
TCA4307DGKR	ACTIVE	VSSOP	DGK	8	2500	RoHS & Green	NIPDAUAG   SN	Level-1-260C-UNLIM	-40 to 125	4307	Samples
TCA4307DRGR	ACTIVE	SON	DRG	8	3000	RoHS & Green	NIPDAU	Level-1-260C-UNLIM	-40 to 125	4307	Samples

(1) The marketing status values are defined as follows:

**ACTIVE:** Product device recommended for new designs.

**LIFEBUY:** TI has announced that the device will be discontinued, and a lifetime-buy period is in effect.

**NRND:** Not recommended for new designs. Device is in production to support existing customers, but TI does not recommend using this part in a new design.

**PREVIEW:** Device has been announced but is not in production. Samples may or may not be available.

**OBSOLETE:** TI has discontinued the production of the device.

(2) **RoHS:** TI defines "RoHS" to mean semiconductor products that are compliant with the current EU RoHS requirements for all 10 RoHS substances, including the requirement that RoHS substance do not exceed 0.1% by weight in homogeneous materials. Where designed to be soldered at high temperatures, "RoHS" products are suitable for use in specified lead-free processes. TI may reference these types of products as "Pb-Free".

**RoHS Exempt:** TI defines "RoHS Exempt" to mean products that contain lead but are compliant with EU RoHS pursuant to a specific EU RoHS exemption.

**Green:** TI defines "Green" to mean the content of Chlorine (Cl) and Bromine (Br) based flame retardants meet JS709B low halogen requirements of <=1000ppm threshold. Antimony trioxide based flame retardants must also meet the <=1000ppm threshold requirement.

(3) MSL, Peak Temp. - The Moisture Sensitivity Level rating according to the JEDEC industry standard classifications, and peak solder temperature.

(4) There may be additional marking, which relates to the logo, the lot trace code information, or the environmental category on the device.

(5) Multiple Device Markings will be inside parentheses. Only one Device Marking contained in parentheses and separated by a "~" will appear on a device. If a line is indented then it is a continuation of the previous line and the two combined represent the entire Device Marking for that device.

(6) Lead finish/Ball material - Orderable Devices may have multiple material finish options. Finish options are separated by a vertical ruled line. Lead finish/Ball material values may wrap to two lines if the finish value exceeds the maximum column width.

**Important Information and Disclaimer:**The information provided on this page represents TI's knowledge and belief as of the date that it is provided. TI bases its knowledge and belief on information provided by third parties, and makes no representation or warranty as to the accuracy of such information. Efforts are underway to better integrate information from third parties. TI has taken and continues to take reasonable steps to provide representative and accurate information but may not have conducted destructive testing or chemical analysis on incoming materials and chemicals. TI and TI suppliers consider certain information to be proprietary, and thus CAS numbers and other limited information may not be available for release.

In no event shall TI's liability arising out of such information exceed the total purchase price of the TI part(s) at issue in this document sold by TI to Customer on an annual basis.



**TAPE AND REEL INFORMATION**

**QUADRANT ASSIGNMENTS FOR PIN 1 ORIENTATION IN TAPE**


\*All dimensions are nominal

Device	Package Type	Package Drawing	Pins	SPQ	Reel Diameter (mm)	Reel Width W1 (mm)	A0 (mm)	B0 (mm)	K0 (mm)	P1 (mm)	W (mm)	Pin1 Quadrant
TCA4307DGKR	VSSOP	DGK	8	2500	330.0	12.4	5.25	3.35	1.25	8.0	12.0	Q1
TCA4307DRGR	SON	DRG	8	3000	330.0	12.4	3.3	3.3	1.1	8.0	12.0	Q2

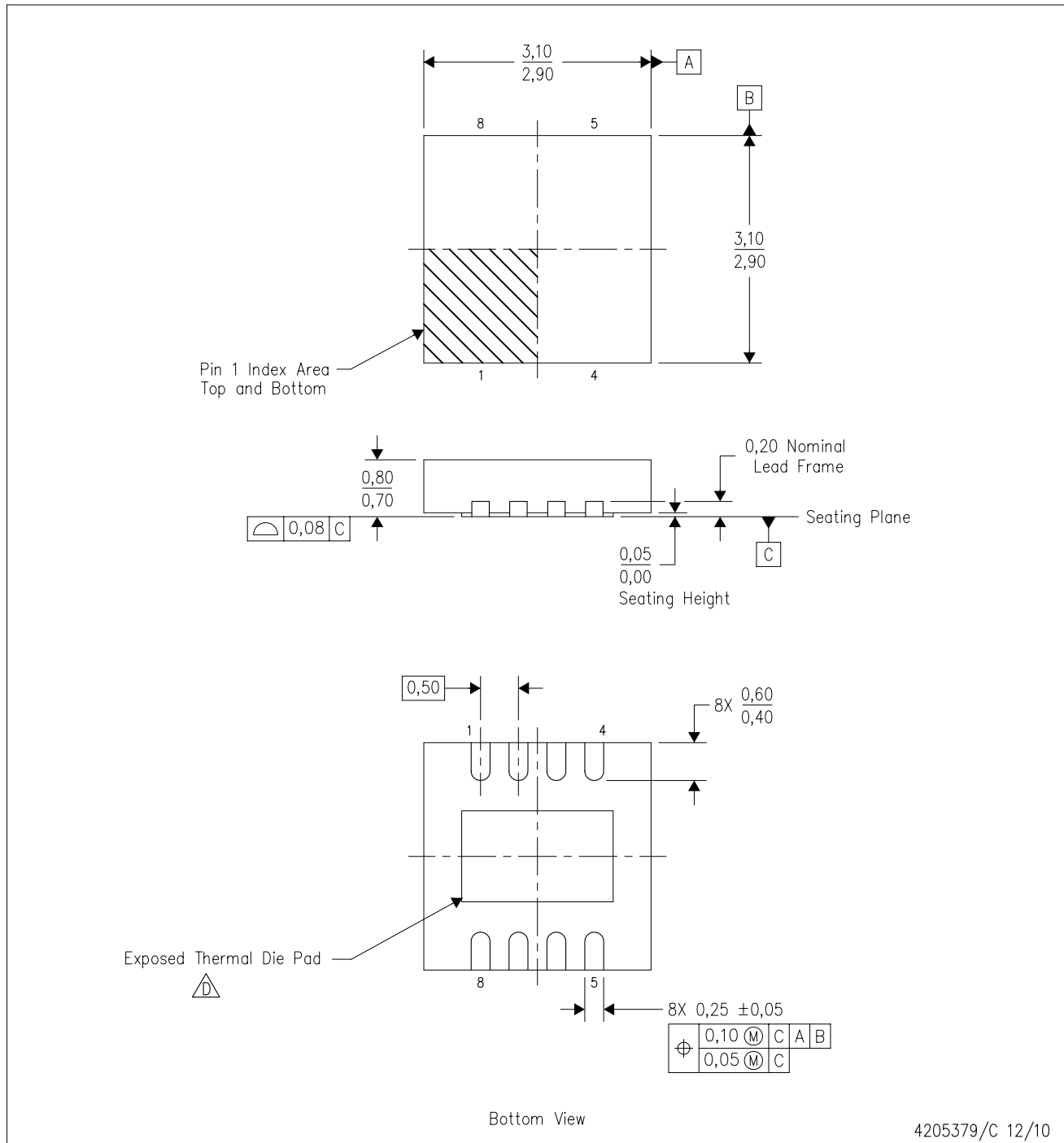
**TAPE AND REEL BOX DIMENSIONS**


\*All dimensions are nominal

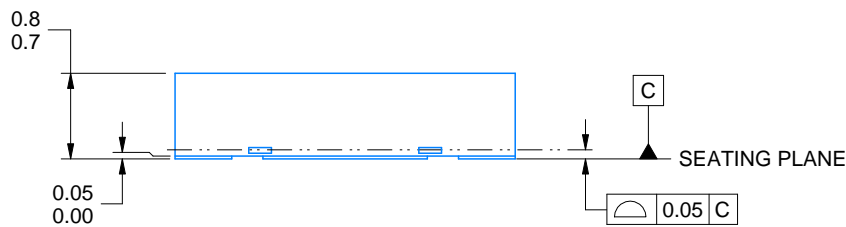
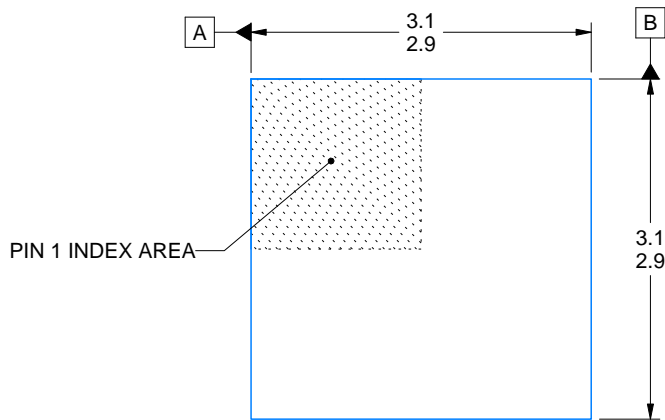
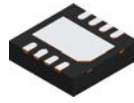
Device	Package Type	Package Drawing	Pins	SPQ	Length (mm)	Width (mm)	Height (mm)
TCA4307DGKR	VSSOP	DGK	8	2500	366.0	364.0	50.0
TCA4307DRGR	SON	DRG	8	3000	367.0	367.0	35.0

DRG (S-PWSON-N8)

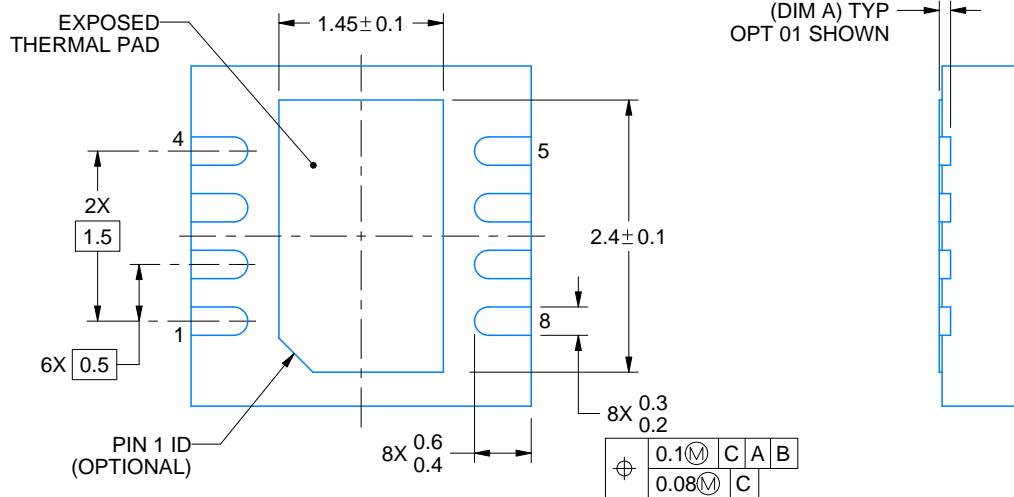
PLASTIC SMALL OUTLINE NO-LEAD



- NOTES:
- A. All linear dimensions are in millimeters. Dimensioning and tolerancing per ASME Y14.5M-1994.
  - B. This drawing is subject to change without notice.
  - C. SON (Small Outline No-Lead) package configuration.
  - D. The package thermal pad must be soldered to the board for thermal and mechanical performance. See the Product Data Sheet for details regarding the exposed thermal pad dimensions.
  - E. JEDEC MO-229 package registration pending.



DIMENSION A	
OPTION 01	(0.1)
OPTION 02	(0.2)



4218886/A 01/2020

NOTES:

1. All linear dimensions are in millimeters. Any dimensions in parenthesis are for reference only. Dimensioning and tolerancing per ASME Y14.5M.
2. This drawing is subject to change without notice.
3. The package thermal pad must be soldered to the printed circuit board for thermal and mechanical performance.

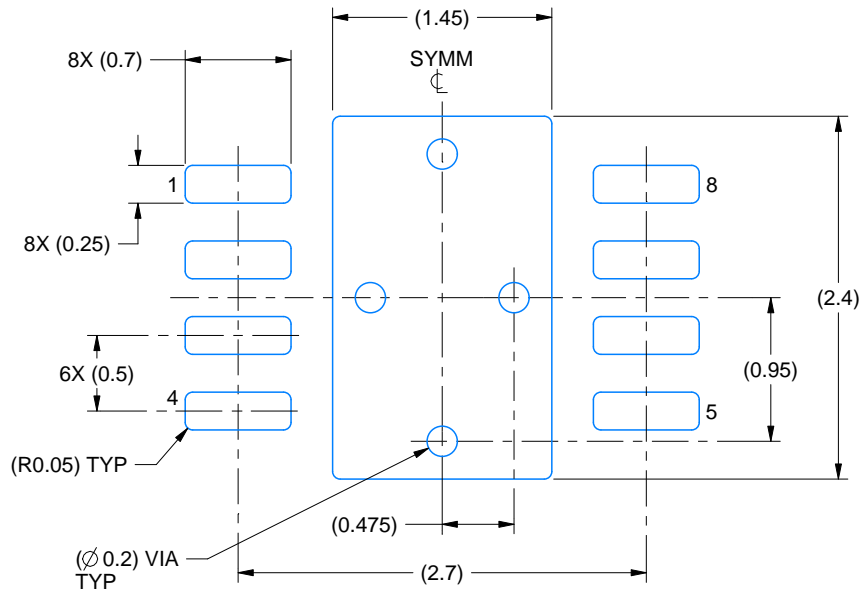


# EXAMPLE BOARD LAYOUT

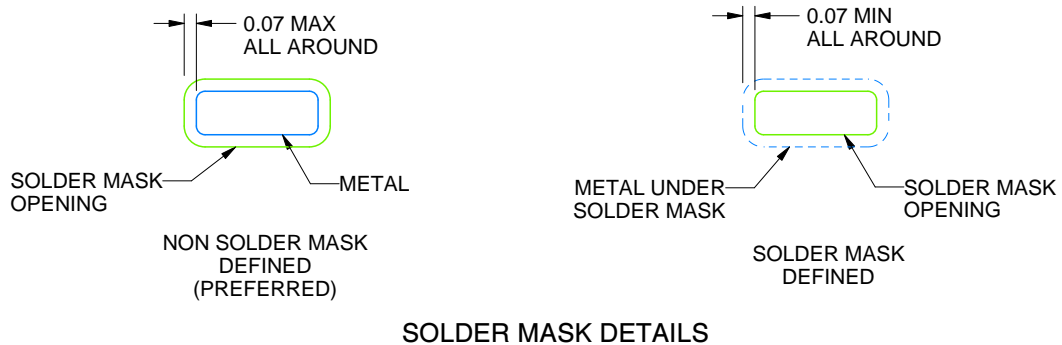
DRG0008B

WSON - 0.8 mm max height

PLASTIC SMALL OUTLINE - NO LEAD



LAND PATTERN EXAMPLE  
SCALE:20X



SOLDER MASK DETAILS

4218886/A 01/2020

NOTES: (continued)

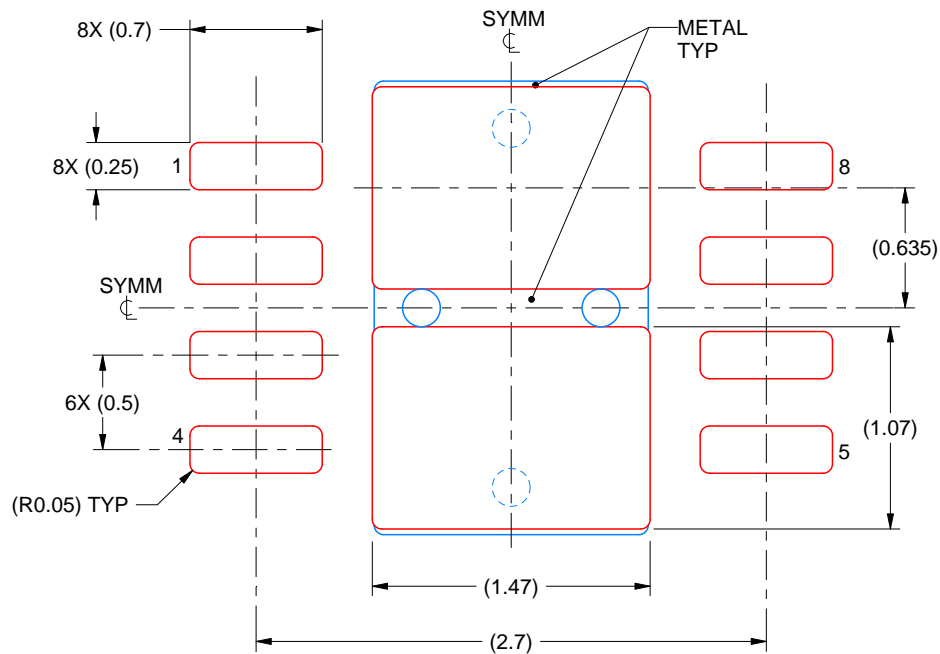
4. This package is designed to be soldered to a thermal pad on the board. For more information, see Texas Instruments literature number SLUA271 ([www.ti.com/lit/slua271](http://www.ti.com/lit/slua271)).
5. Vias are optional depending on application, refer to device data sheet. If any vias are implemented, refer to their locations shown on this view. It is recommended that vias under paste be filled, plugged or tented.

# EXAMPLE STENCIL DESIGN

DRG0008B

WSO - 0.8 mm max height

PLASTIC SMALL OUTLINE - NO LEAD



SOLDER PASTE EXAMPLE  
BASED ON 0.125 mm THICK STENCIL

EXPOSED PAD  
82% PRINTED SOLDER COVERAGE BY AREA  
SCALE:25X

4218886/A 01/2020

NOTES: (continued)

6. Laser cutting apertures with trapezoidal walls and rounded corners may offer better paste release. IPC-7525 may have alternate design recommendations.

# DGK0008A



# PACKAGE OUTLINE

VSSOP - 1.1 mm max height

SMALL OUTLINE PACKAGE



**NOTES:**

PowerPAD is a trademark of Texas Instruments.

1. All linear dimensions are in millimeters. Any dimensions in parenthesis are for reference only. Dimensioning and tolerancing per ASME Y14.5M.
2. This drawing is subject to change without notice.
3. This dimension does not include mold flash, protrusions, or gate burrs. Mold flash, protrusions, or gate burrs shall not exceed 0.15 mm per side.
4. This dimension does not include interlead flash. Interlead flash shall not exceed 0.25 mm per side.
5. Reference JEDEC registration MO-187.

# EXAMPLE BOARD LAYOUT

DGK0008A

™ VSSOP - 1.1 mm max height

SMALL OUTLINE PACKAGE



LAND PATTERN EXAMPLE  
EXPOSED METAL SHOWN  
SCALE: 15X



SOLDER MASK DETAILS

4214862/A 04/2023

NOTES: (continued)

6. Publication IPC-7351 may have alternate designs.
7. Solder mask tolerances between and around signal pads can vary based on board fabrication site.
8. Vias are optional depending on application, refer to device data sheet. If any vias are implemented, refer to their locations shown on this view. It is recommended that vias under paste be filled, plugged or tented.
9. Size of metal pad may vary due to creepage requirement.

# EXAMPLE STENCIL DESIGN

DGK0008A

<sup>TM</sup> VSSOP - 1.1 mm max height

SMALL OUTLINE PACKAGE



SOLDER PASTE EXAMPLE  
SCALE: 15X

4214862/A 04/2023

NOTES: (continued)

11. Laser cutting apertures with trapezoidal walls and rounded corners may offer better paste release. IPC-7525 may have alternate design recommendations.
12. Board assembly site may have different recommendations for stencil design.

## 重要声明和免责声明

TI“按原样”提供技术和可靠性数据（包括数据表）、设计资源（包括参考设计）、应用或其他设计建议、网络工具、安全信息和其他资源，不保证没有瑕疵且不做任何明示或暗示的担保，包括但不限于对适销性、某特定用途方面的适用性或不侵犯任何第三方知识产权的暗示担保。

这些资源可供使用 TI 产品进行设计的熟练开发人员使用。您将自行承担以下全部责任：(1) 针对您的应用选择合适的 TI 产品，(2) 设计、验证并测试您的应用，(3) 确保您的应用满足相应标准以及任何其他功能安全、信息安全、监管或其他要求。

这些资源如有变更，恕不另行通知。TI 授权您仅可将这些资源用于研发本资源所述的 TI 产品的应用。严禁对这些资源进行其他复制或展示。您无权使用任何其他 TI 知识产权或任何第三方知识产权。您应全额赔偿因在这些资源的使用中对 TI 及其代表造成的任何索赔、损害、成本、损失和债务，TI 对此概不负责。

TI 提供的产品受 [TI 的销售条款](#) 或 [ti.com](#) 上其他适用条款/TI 产品随附的其他适用条款的约束。TI 提供这些资源并不会扩展或以其他方式更改 TI 针对 TI 产品发布的适用的担保或担保免责声明。

TI 反对并拒绝您可能提出的任何其他或不同的条款。

邮寄地址：Texas Instruments, Post Office Box 655303, Dallas, Texas 75265  
Copyright © 2024，德州仪器 (TI) 公司