

TCA6408A-Q1 具有中断输出的低电压 8 位 I²C 和 SMBus I/O 扩展器

1 特性

- 符合面向汽车应用的 AEC-Q100 标准
 - 温度等级 1 : - 40°C 至 +125°C , T_A
- 功能安全型
 - 可提供用于功能安全系统设计的文档
- I²C 至并行端口扩展器
- 工作电源电压范围为 1.65 V 至 3.6 V
- 支持 1.8V、2.5V、3.3V I²C 总线和 P 端口之间进行双向电平转换和 GPIO 扩展
- 低待机电流消耗
- 400kHz 快速 I²C 总线
- 硬件地址引脚, 允许在同一 I²C/SMBus 总线上支持两个 TCA6408A-Q1 器件
- 低电平有效复位 ($\overline{\text{RESET}}$) 输入
- 开漏低电平有效中断 ($\overline{\text{INT}}$) 输出
- 输入和输出配置寄存器
- 极性反转寄存器
- 内部上电复位
- 加电时所有通道均被配置为输入
- 加电时无干扰
- SCL 和 SDA 输入端装有噪声滤波器
- 具有最大高电流驱动能力的锁存输出, 适用于直接驱动 LED
- 锁断性能达 100mA, 符合 AEC Q100-004
- 施密特触发操作支持在 SCL 和 SDA 输入端实现缓慢输入转换并提升开关噪声抗扰度
- ESD 保护
 - 2000V 人体放电模型 (Q100-002)
 - 1000V 带电器件模型 (Q100-011)

2 应用

- 汽车信息娱乐系统
- 高级驾驶员辅助系统 (ADAS)
- 汽车车身电子设备
- HEV、EV 和动力总成
- 工业、工厂和楼宇自动化
- 测试与测量
- EPOS

3 说明

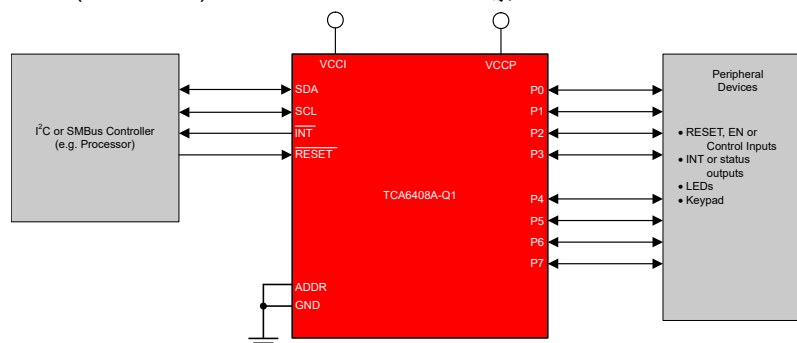
TCA6408A-Q1 是一款 16 引脚器件, 可为两线双向 I²C 总线 (或 SMBus) 协议提供 8 位通用并行输入/输出 (I/O) 扩展。在器件运行过程中, I²C 总线侧 (V_{CCI}) 和 P 端口侧 (V_{CCP}) 均可由电压介于 1.65V 至 3.6V 之间的电源供电。这使得 TCA6408A-Q1 能够在 SDA/SCL 侧 (电源电平在此逐渐降低以节省功率) 与下一代微处理器和微控制器相连。与微处理器和微控制器的降压电源相比, 部分 PCB 组件 (例如 LED) 仍由高电压电源供电。

该器件支持 100kHz (标准模式) 和 400kHz (快速模式) 时钟频率。当开关、传感器、按钮、LED、风扇等设备需要额外使用 I/O 时, I/O 扩展器 (如 TCA6408A-Q1) 可提供简易解决方案。

封装信息

器件型号	封装 ⁽¹⁾	封装尺寸 (标称值)
TCA6408A-Q1	TSSOP (16)	5.00mm × 4.40mm

(1) 如需了解所有可用封装, 请参阅数据表末尾的可订购产品附录。



简化版原理图



Table of Contents

1 特性	1	8.2 Functional Block Diagrams.....	17
2 应用	1	8.3 Feature Description.....	19
3 说明	1	8.4 Device Functional Modes.....	20
4 Revision History	2	8.5 Programming.....	20
5 Pin Configuration and Functions	3	8.6 Register Map.....	24
6 Specifications	4	9 Application and Implementation	26
6.1 Absolute Maximum Ratings.....	4	9.1 Application Information.....	26
6.2 ESD Ratings.....	4	9.2 Typical Application.....	27
6.3 Recommended Operating Conditions.....	4	9.3 Power Supply Recommendations.....	30
6.4 Thermal Information.....	5	9.4 Layout.....	31
6.5 Electrical Characteristics.....	5	10 Device and Documentation Support	33
6.6 I ² C Interface Timing Requirements.....	6	10.1 Receiving Notification of Documentation Updates..	33
6.7 Reset Timing Requirements.....	7	10.2 商标.....	33
6.8 Switching Characteristics.....	8	10.3 静电放电警告.....	33
6.9 Typical Characteristics.....	9	10.4 术语表.....	33
7 Parameter Measurement Information	12	11 支持资源	33
8 Detailed Description	16	12 Mechanical, Packaging, and Orderable Information	33
8.1 Overview.....	16		

4 Revision History

Changes from Revision * (September 2016) to Revision A (February 2023)	Page
• 将提到 I ² C 的旧术语实例通篇更改为控制器和目标.....	1
• 添加了特性：符合面向汽车应用的 AEC-Q100 标准.....	1
• Added the HBM and CDM ESD classification levels.....	4
• Added paragraph: "Ramping up the device V _{CCP} " to <i>Power-On Reset Requirements</i>	30

5 Pin Configuration and Functions

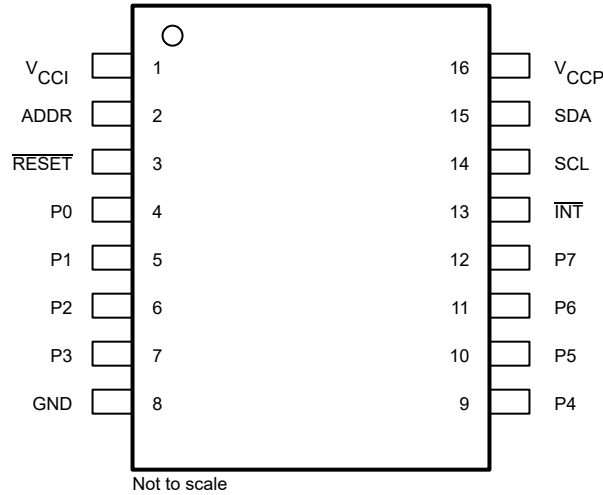


图 5-1. PW Package, 16-Pin TSSOP
(Top View)

表 5-1. Pin Functions

PIN		I/O	DESCRIPTION
NAME	NO.		
ADDR	2	I	Address input. Connect directly to V_{CCP} or ground
GND	8	—	Ground
INT	13	O	Interrupt output. Connect to V_{CCI} through a pull-up resistor
P0	4	I/O	P-port input-output (push-pull design structure). At power on, P0 is configured as an input
P1	5	I/O	P-port input-output (push-pull design structure). At power on, P1 is configured as an input
P2	6	I/O	P-port input-output (push-pull design structure). At power on, P2 is configured as an input
P3	7	I/O	P-port input-output (push-pull design structure). At power on, P3 is configured as an input
P4	9	I/O	P-port input-output (push-pull design structure). At power on, P4 is configured as an input
P5	10	I/O	P-port input-output (push-pull design structure). At power on, P5 is configured as an input
P6	11	I/O	P-port input-output (push-pull design structure). At power on, P6 is configured as an input
P7	12	I/O	P-port input-output (push-pull design structure). At power on, P7 is configured as an input
RESET	3	I	Active-low reset input. Connect to V_{CCI} through a pull-up resistor, if no active connection is used
SCL	14	I	Serial clock bus. Connect to V_{CCI} through a pull-up resistor
SDA	15	I/O	Serial data bus. Connect to V_{CCI} through a pull-up resistor
V_{CCI}	1	—	Supply voltage of I ² C bus. Connect directly to the V_{CC} of the external I ² C controller. Provides voltage level translation
V_{CCP}	16	—	Supply voltage of TCA6408A-Q1 for P-ports

6 Specifications

6.1 Absolute Maximum Ratings

over operating free-air temperature range (unless otherwise noted) (see (1))

				MIN	MAX	UNIT
V_{CCI}	Supply voltage for I ² C pins			- 0.5	3.6	V
V_{CCP}	Supply voltage for P-ports			- 0.5	3.6	V
V_I	Input voltage ⁽²⁾			- 0.5	3.6	V
V_O	Output voltage ⁽²⁾			- 0.5	3.6	V
I_{IK}	Input clamp current	ADDR, RESET, SCL	$V_I < 0$		±20	mA
I_{OK}	Output clamp current	INT	$V_O < 0$		±20	mA
I_{IOK}	Input/output clamp current	P-port	$V_O < 0$ or $V_O > V_{CCP}$		±20	mA
		SDA	$V_O < 0$ or $V_O > V_{CCI}$		±20	
I_{OL}	Continuous output low current	P-port	$V_O = 0$ to V_{CCP}		50	mA
	Continuous output low current	SDA, INT	$V_O = 0$ to V_{CCI}		25	
I_{OH}	Continuous output high current	P-port	$V_O = 0$ to V_{CCP}		50	mA
I_{CC}	Continuous current through GND				200	mA
	Continuous current through V_{CCP}				160	
	Continuous current through V_{CCI}				10	
$T_{J(MAX)}$	Maximum junction temperature				135	°C
T_{stg}	Storage temperature			- 65	150	°C

- (1) Stresses beyond those listed under *Absolute Maximum Ratings* may cause permanent damage to the device. These are stress ratings only, which do not imply functional operation of the device at these or any other conditions beyond those indicated under *Recommended Operating Conditions*. Exposure to absolute-maximum-rated conditions for extended periods may affect device reliability.
- (2) The input negative-voltage and output voltage ratings may be exceeded if the input and output current ratings are observed.

6.2 ESD Ratings

			VALUE	UNIT
$V_{(ESD)}$	Electrostatic discharge	Human body model (HBM), per AEC Q100-002 ⁽¹⁾ HBM ESD classification level 1C	±2000	V
		Charged-device model (CDM), per AEC Q100-011 CDM ESD classification level C6	±1000	

- (1) AEC Q100-002 indicates HBM stressing is done in accordance with the ANSI/ESDA/JEDEC JS-001 specification.

6.3 Recommended Operating Conditions

over operating free-air temperature range (unless otherwise noted)

				MIN	MAX	UNIT
V_{CCI} ⁽¹⁾	Supply voltage for I ² C pins	SCL, SDA, INT		1.65	3.6	V
V_{CCP}	Supply voltage for P-ports	P-ports, ADDR, RESET		1.65	3.6	V
V_{IH}	High-level input voltage	SCL, SDA		$0.7 \times V_{CCI}$	V_{CCI}	V
		RESET		$0.7 \times V_{CCI}$	3.6	
		ADDR, P7 - P0		$0.7 \times V_{CCP}$	3.6	
V_{IL}	Low-level input voltage	SCL, SDA, RESET		- 0.5	$0.3 \times V_{CCI}$	V
		ADDR, P7 - P0		- 0.5	$0.3 \times V_{CCP}$	
I_{OH}	High-level output current	P00-P07			10	mA

6.3 Recommended Operating Conditions (continued)

over operating free-air temperature range (unless otherwise noted)

			MIN	MAX	UNIT
$I_{OL}^{(2)}$	Low-level output current	P00-P07	$T_J = 65^\circ\text{C}$	25	mA
			$T_J = 85^\circ\text{C}$	18	
			$T_J = 105^\circ\text{C}$	9	
			$T_J = 125^\circ\text{C}$	4.5	
			$T_J = 135^\circ\text{C}$	3.5	
	INT, SDA	$T_J = 85^\circ\text{C}$	6		
		$T_J = 105^\circ\text{C}$	3		
		$T_J = 125^\circ\text{C}$	1.8		
		$T_J = 135^\circ\text{C}$	1.5		
T_A	Operating free-air temperature		- 40	125	$^\circ\text{C}$

- (1) For voltages applied above V_{CCI} , and increase in I_{CC} will result.
 (2) The values shown apply to specific junction temperature. See the [# 9.2.1.1](#) section on how to calculate the junction temperature.

6.4 Thermal Information

THERMAL METRIC ⁽¹⁾		TCA6408A-Q1	UNIT
		PW (TSSOP)	
		16 PINS	
$R_{\theta JA}$	Junction-to-ambient thermal resistance	122	$^\circ\text{C/W}$
$R_{\theta JC(top)}$	Junction-to-case (top) thermal resistance	56.4	$^\circ\text{C/W}$
$R_{\theta JB}$	Junction-to-board thermal resistance	67.1	$^\circ\text{C/W}$
ψ_{JT}	Junction-to-top characterization parameter	10.8	$^\circ\text{C/W}$
ψ_{JB}	Junction-to-board characterization parameter	66.5	$^\circ\text{C/W}$

- (1) For more information about traditional and new thermal metrics, see the [Semiconductor and IC Package Thermal Metrics](#) application report.

6.5 Electrical Characteristics

over recommended operating free-air temperature range, $V_{CCI} = 1.65\text{ V to }3.6\text{ V}$ (unless otherwise noted)

PARAMETER	TEST CONDITIONS	V_{CCP}	MIN	TYP ⁽¹⁾	MAX	UNIT
V_{IK}	Input diode clamp voltage	$I_I = -18\text{ mA}$	1.65 V to 3.6 V	- 1.2		V
V_{PORR}	Power-on reset voltage, V_{CCP} rising ⁽²⁾	$V_I = V_{CCP}$ or GND, $I_O = 0$	1.65 V to 3.6 V	1.2	1.5	V
V_{PORF}	Power-on reset voltage, V_{CCP} falling ⁽²⁾	$V_I = V_{CCP}$ or GND, $I_O = 0$	1.65 V to 3.6 V	0.6	1	V
V_{OH}	P-port high-level output voltage	$I_{OH} = -8\text{ mA}$	1.65 V	1.2	V	
			2.3 V	1.8		
			3 V	2.6		
			3.6 V	3.3		
	$I_{OH} = -10\text{ mA}$	1.65 V	1.0			
		2.3 V	1.7			
		3 V	2.5			
		3.6 V	3.2			

6.5 Electrical Characteristics (continued)

over recommended operating free-air temperature range, $V_{CCI} = 1.65\text{ V}$ to 3.6 V (unless otherwise noted)

PARAMETER		TEST CONDITIONS	V_{CCP}	MIN	TYP ⁽¹⁾	MAX	UNIT
V_{OL}	P-port low-level output voltage	$I_{OL} = 8\text{ mA}$	1.65 V			0.45	V
			2.3 V			0.25	
			3 V			0.25	
			3.6 V			0.23	
		$I_{OL} = 10\text{ mA}$	1.65 V			0.6	
			2.3 V			0.3	
			3 V			0.25	
			3.6 V			0.23	
I_{OL}	SDA	$V_{OL} = 0.4\text{ V}$	1.65 V to 3.6 V	3			mA
	INT			3	15		
I_I	SCL, SDA, RESET	$V_I = V_{CCI}$ or GND	1.65 V to 3.6 V			± 0.1	μA
	ADDR	$V_I = V_{CCP}$ or GND				± 0.1	
I_{IH}	P-port	$V_I = V_{CCP}$	1.65 V to 3.6 V			1	μA
I_{IL}	P-port	$V_I = \text{GND}$	1.65 V to 3.6 V			1	μA
I_{CC} ($I_{CCI} + I_{CCP}$)	Operating mode	SDA, P-port, ADDR, RESET	$V_I = V_{CC}$ or GND, I/O = inputs, $f_{SCL} = 400\text{ kHz}$, No load	2.3 V to 3.6 V	9	36	μA
			$V_I = V_{CC}$ or GND, I/O = inputs, $f_{SCL} = 400\text{ kHz}$, No load	1.65 V to 2.3 V	5	33	
	Standby mode	SCL, SDA, P-port, ADDR, RESET	$V_I = V_{CC}$ or GND, I/O = inputs, $f_{SCL} = 0\text{ kHz}$, No load	2.3 V to 3.6 V	1.2	10	
			$V_I = V_{CC}$ or GND, I/O = inputs, $f_{SCL} = 0\text{ kHz}$, No load	1.65 V to 2.3 V	0.6	7	
ΔI_{CCI}	Additional current in standby mode	SCL, SDA	One input at $V_{CCI} - 0.6\text{ V}$, Other inputs at V_{CCI} or GND	1.65 V to 3.6 V	6	10	μA
		RESET	RESET at $V_{CCI} - 0.6\text{ V}$, Other inputs at V_{CCI} or GND		6	55	
ΔI_{CCP}		P-port, ADDR	One input at $V_{CCP} - 0.6\text{ V}$, Other inputs at V_{CCP} or GND	1.65 V to 3.6 V	6	80	μA
C_i	SCL	$V_I = V_{CCI}$ or GND	1.65 V to 3.6 V	7		9	pF
C_{io}	SDA	$V_{IO} = V_{CCI}$ or GND	1.65 V to 3.6 V	8		10.5	pF
	P-port	$V_{IO} = V_{CCP}$ or GND		7		8	

(1) All typical values are at nominal supply voltage (1.8-V, 2.5-V, or 3.3-V V_{CC}) and $T_A = 25^\circ\text{C}$.

(2) When power (from 0 V) is applied to V_{CCP} , an internal power-on reset holds the TCA6408A-Q1 in a reset condition until V_{CCP} has reached V_{PORR} . At that time, the reset condition is released, and the TCA6408A-Q1 registers and I²C/SMBus state machine initialize to their default states. After that, V_{CCP} must be lowered to below V_{PORF} and back up to the operating voltage for a power-reset cycle.

6.6 I²C Interface Timing Requirements

over recommended operating free-air temperature range (unless otherwise noted) (see [Figure 7-1](#))

		MIN	MAX	UNIT
I²C BUS—STANDARD MODE				
f_{scl}	I ² C clock frequency	0	100	kHz
t_{sch}	I ² C clock high time	4		μs
t_{scl}	I ² C clock low time	4.7		μs
t_{sp}	I ² C spike time	0	50	ns
t_{sds}	I ² C serial data setup time	250		ns
t_{sdh}	I ² C serial data hold time	0		ns
t_{icr}	I ² C input rise time		1000	ns

6.6 I²C Interface Timing Requirements (continued)

over recommended operating free-air temperature range (unless otherwise noted) (see [Figure 7-1](#))

		MIN	MAX	UNIT
t _{icf}	I ² C input fall time		300	ns
t _{ocf}	I ² C output fall time, 10-pF to 400-pF bus		300	ns
t _{buf}	I ² C bus free time between Stop and Start	4.7		μs
t _{sts}	I ² C Start or repeater Start condition setup time	4.7		μs
t _{sth}	I ² C Start or repeater Start condition hold time	4		μs
t _{sps}	I ² C Stop condition setup time	4		μs
t _{vd(data)}	Valid data time, SCL low to SDA output valid		1	μs
t _{vd(ack)}	Valid data time of ACK condition, ACK signal from SCL low to SDA (out) low		1	μs
I²C BUS—FAST MODE				
f _{scl}	I ² C clock frequency	0	400	kHz
t _{sch}	I ² C clock high time	0.6		μs
t _{scl}	I ² C clock low time	1.3		μs
t _{sp}	I ² C spike time	0	50	ns
t _{sds}	I ² C serial data setup time	100		ns
t _{sdh}	I ² C serial data hold time	0		ns
t _{icr}	I ² C input rise time	20	300	ns
t _{icf}	I ² C input fall time	20 x (V _{cc} /5.5 V)	300	ns
t _{ocf}	I ² C output fall time, 10-pF to 400-pF bus	20 x (V _{cc} /5.5 V)	300	ns
t _{buf}	I ² C bus free time between Stop and Start	1.3		μs
t _{sts}	I ² C Start or repeater Start condition setup time	0.6		μs
t _{sth}	I ² C Start or repeater Start condition hold time	0.6		μs
t _{sps}	I ² C Stop condition setup time	0.6		μs
t _{vd(data)}	Valid data time, SCL low to SDA output valid		1	μs
t _{vd(ack)}	Valid data time of ACK condition, ACK signal from SCL low to SDA (out) low		1	μs

6.7 Reset Timing Requirements

over recommended operating free-air temperature range (unless otherwise noted) (see [Figure 7-4](#))

		MIN	MAX	UNIT
I²C BUS—STANDARD and FAST MODE				
t _w	Reset pulse duration	40		ns
t _{REC}	Reset recovery time	0		ns
t _{RESET}	Time to reset	600		ns

6.8 Switching Characteristics

over recommended operating free-air temperature range, $C_L \leq 100$ pF (unless otherwise noted) (see [Figure 7-1](#))

PARAMETER		FROM (INPUT)	TO (OUTPUT)	MIN	MAX	UNIT
I²C BUS—STANDARD and FAST MODE						
t_{iv}	Interrupt valid time	P-Port	INT		4	μ s
t_{ir}	Interrupt reset delay time	SCL	INT		4	μ s
t_{pv}	Output data valid	SCL	P7 - P0		400	ns
t_{ps}	Input data setup time	P-Port	SCL	0		ns
t_{ph}	Input data hold time	P-Port	SCL	300		ns

6.9 Typical Characteristics

$T_A = 25^\circ\text{C}$ (unless otherwise noted)

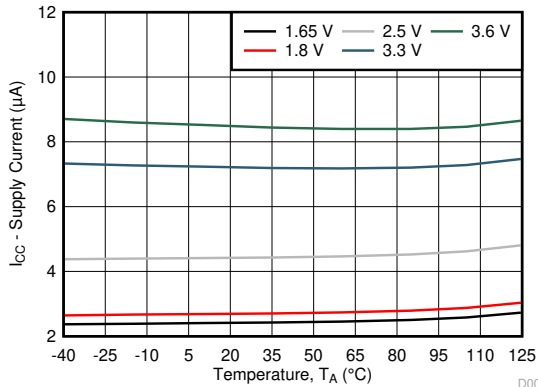


图 6-1. Supply Current vs Temperature

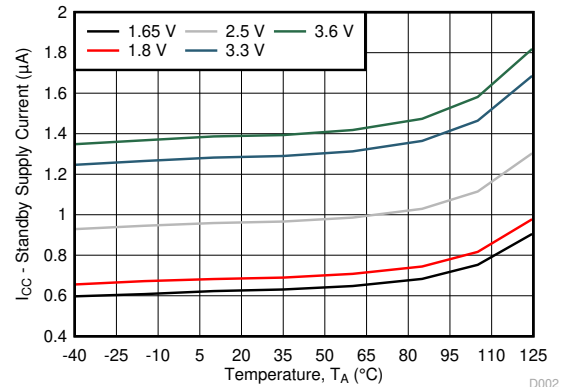


图 6-2. Standby Supply Current vs Temperature

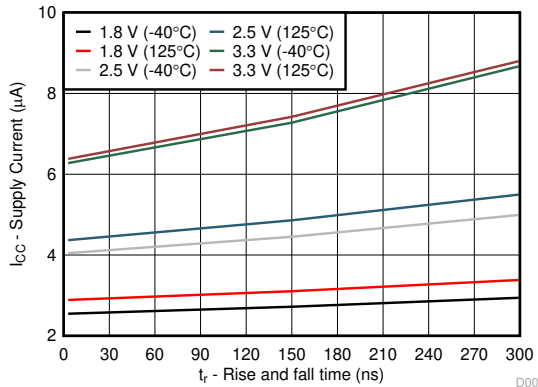


图 6-3. Supply Current vs Rise and Fall Times (t_r)

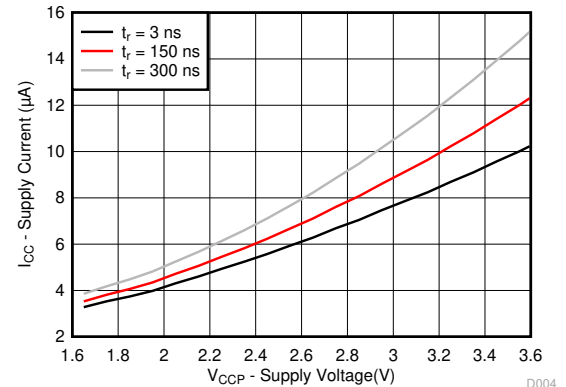


图 6-4. Supply Current vs Supply Voltage

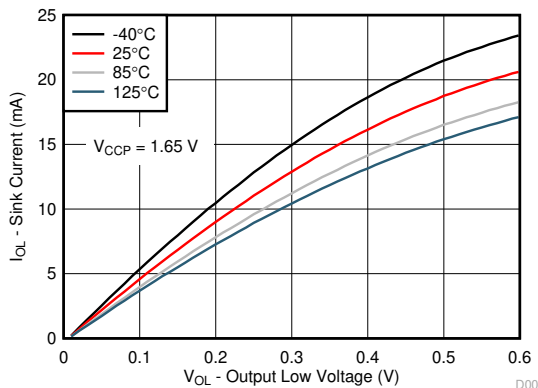


图 6-5. I/O Sink Current vs Output Low Voltage ($V_{CCP} = 1.65\text{ V}$)

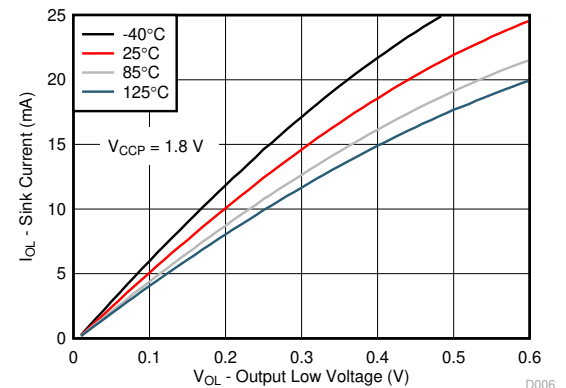


图 6-6. I/O Sink Current vs Output Low Voltage ($V_{CCP} = 1.8\text{ V}$)

6.9 Typical Characteristics (continued)

$T_A = 25^\circ\text{C}$ (unless otherwise noted)

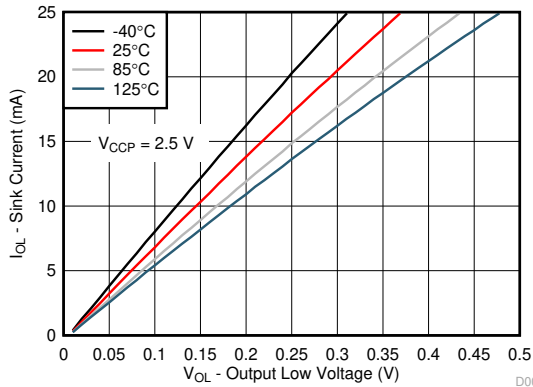


图 6-7. I/O Sink Current vs Output Low Voltage ($V_{CCP} = 2.5\text{ V}$)

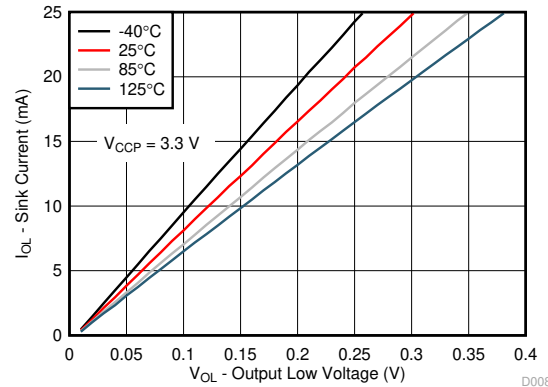


图 6-8. I/O Sink Current vs Output Low Voltage ($V_{CCP} = 3.3\text{ V}$)

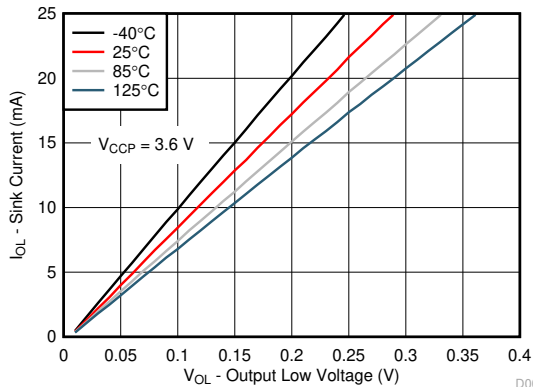


图 6-9. I/O Sink Current vs Temperature ($V_{CCP} = 3.6\text{ V}$)

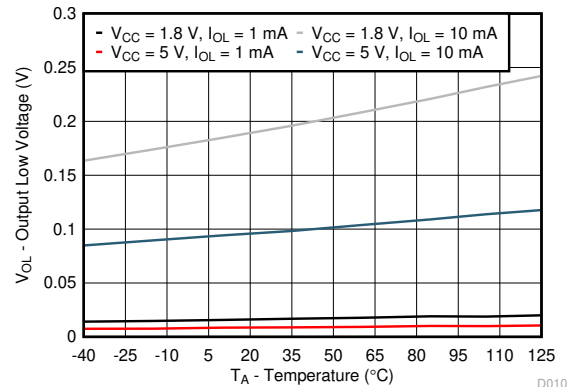


图 6-10. I/O Low Voltage vs Temperature

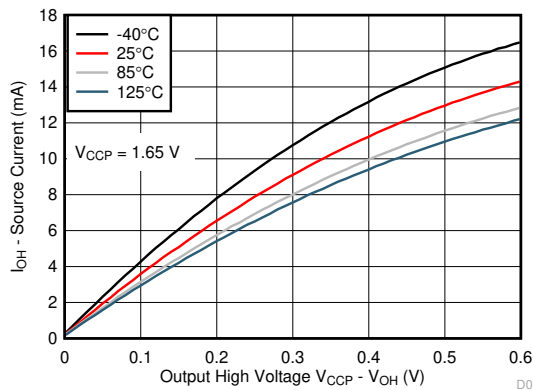


图 6-11. I/O Source Current vs Output High Voltage ($V_{CCP} = 1.65\text{ V}$)

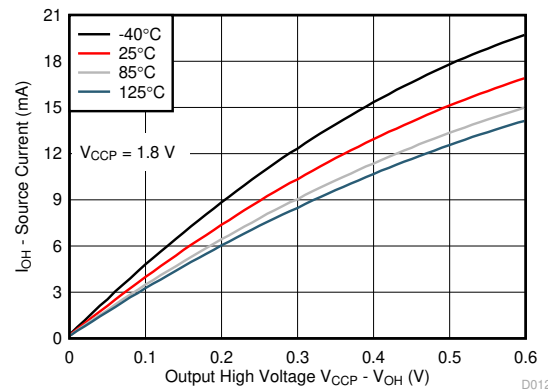


图 6-12. I/O Source Current vs Output High Voltage ($V_{CCP} = 1.8\text{ V}$)

6.9 Typical Characteristics (continued)

T_A = 25°C (unless otherwise noted)

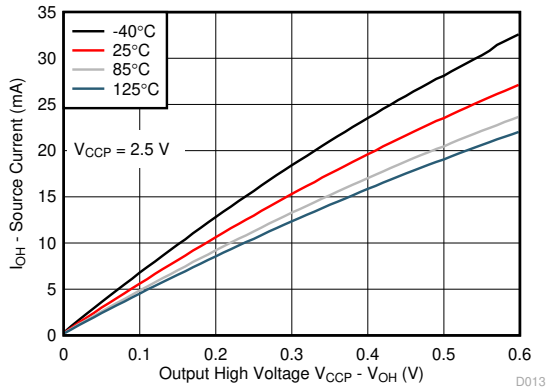


图 6-13. I/O Source Current vs Output High Voltage (V_{CCP} = 2.5 V)

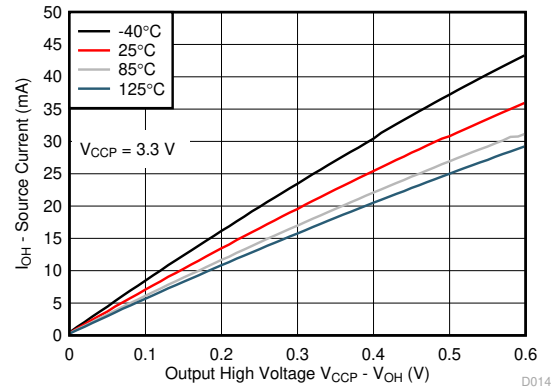


图 6-14. I/O Source Current vs Output High Voltage (V_{CCP} = 3.3 V)

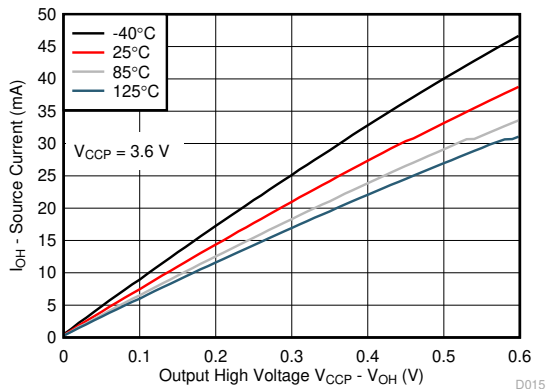


图 6-15. I/O Source Current vs Output High Voltage (V_{CCP} = 3.6 V)

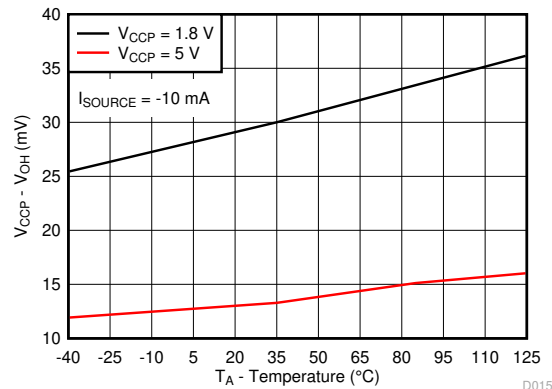
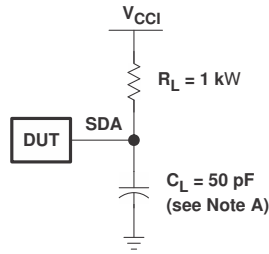
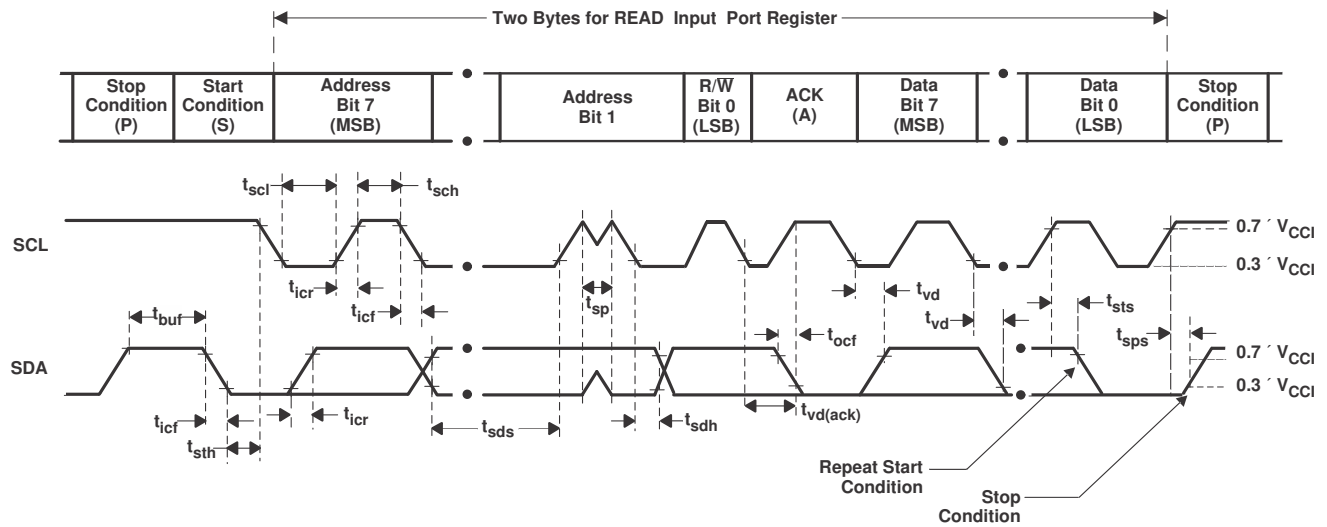


图 6-16. I/O High Voltage vs Temperature

7 Parameter Measurement Information



SDA LOAD CONFIGURATION

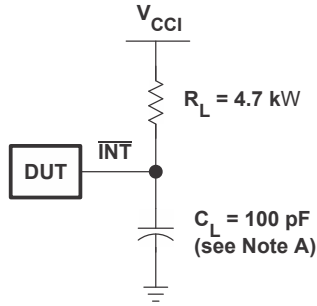


VOLTAGE WAVEFORMS

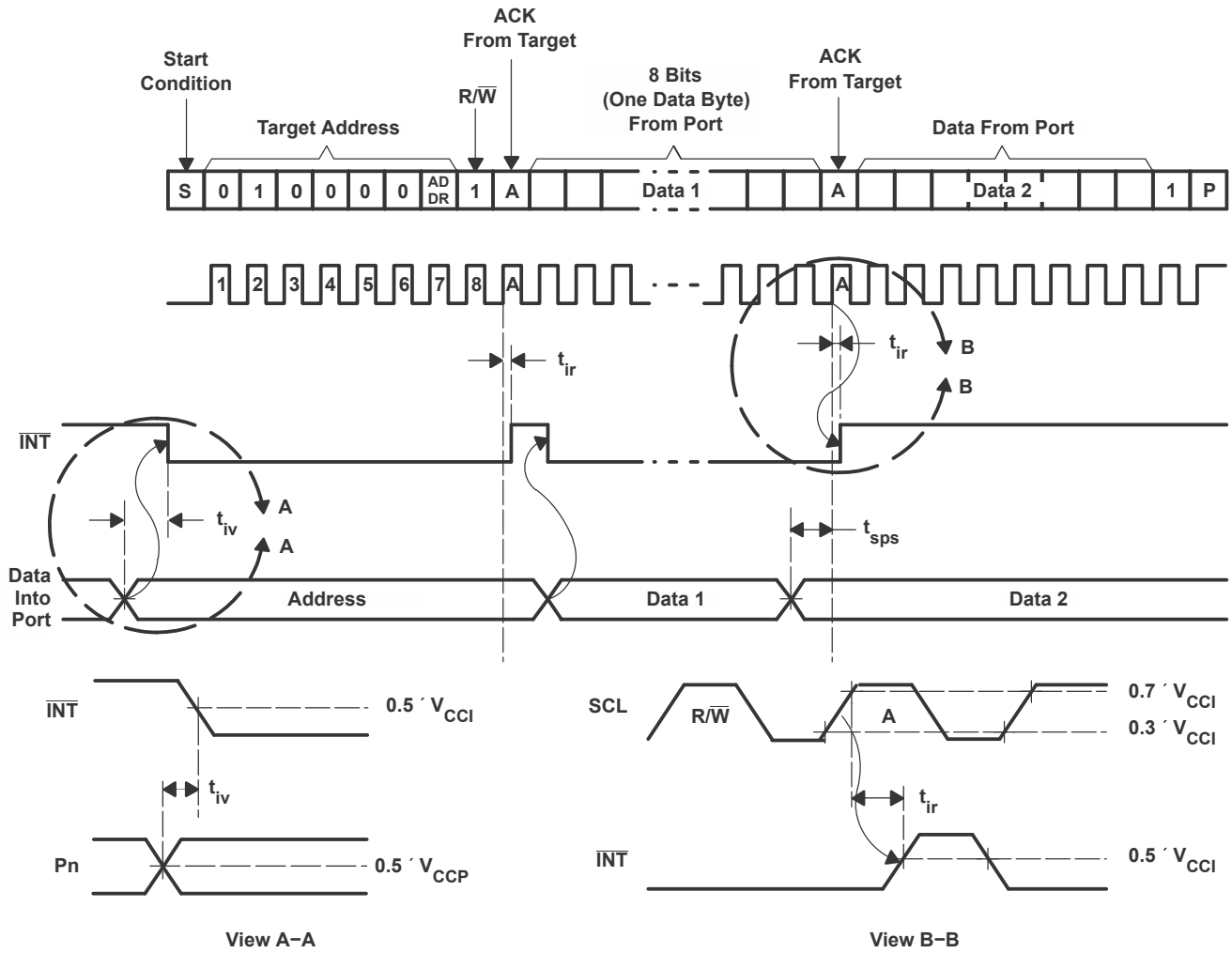
BYTE	DESCRIPTION
1	I ² C address
2	Input register port data

- A. C_L includes probe and jig capacitance. t_{ocf} is measured with C_L of 10 pF or 400 pF.
- B. All inputs are supplied by generators having the following characteristics: $PRR \leq 10$ MHz, $Z_O = 50 \Omega$, $t_r/t_f \leq 30$ ns.

图 7-1. I²C Interface Load Circuit and Voltage Waveforms

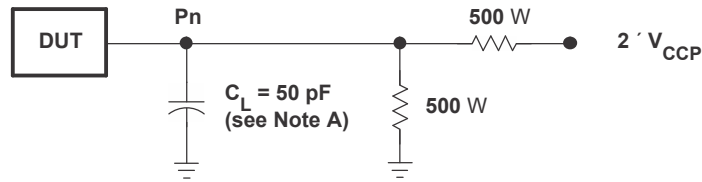


INTERRUPT LOAD CONFIGURATION

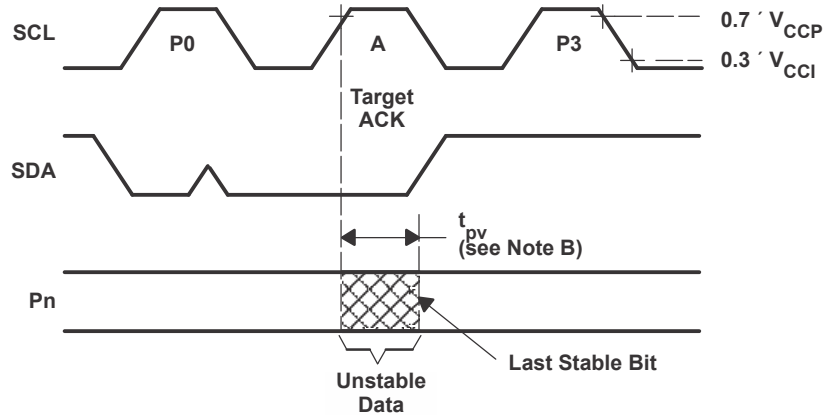


- A. C_L includes probe and jig capacitance.
- B. All inputs are supplied by generators having the following characteristics: $PRR \leq 10$ MHz, $Z_O = 50 \Omega$, $t_r/t_f \leq 30$ ns.

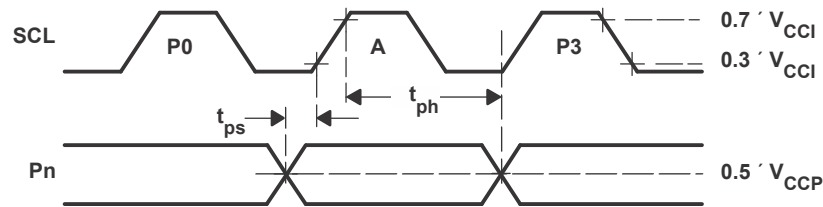
图 7-2. Interrupt Load Circuit and Voltage Waveforms



P-PORT LOAD CONFIGURATION



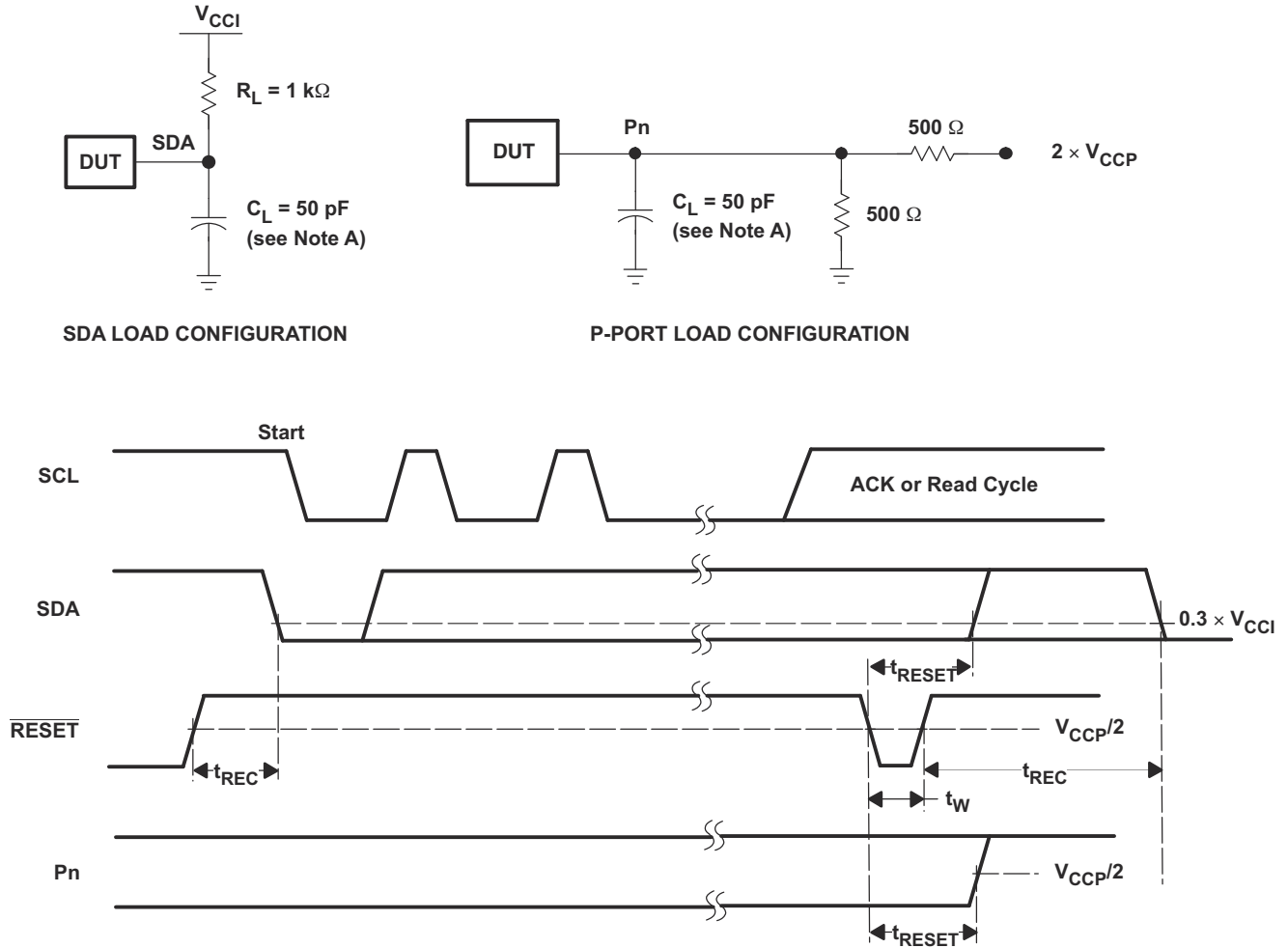
WRITE MODE ($R/\bar{W} = 0$)



READ MODE ($R/\bar{W} = 1$)

- A. C_L includes probe and jig capacitance.
- B. t_{pv} is measured from $0.7 \times V_{CC}$ on SCL to 50% I/O (P_n) output.
- C. All inputs are supplied by generators having the following characteristics: $PRR \leq 10$ MHz, $Z_O = 50 \Omega$, $t_r/t_f \leq 30$ ns.
- D. The outputs are measured one at a time, with one transition per measurement.

图 7-3. P-Port Load Circuit and Timing Waveforms



- A. C_L includes probe and jig capacitance.
- B. All inputs are supplied by generators having the following characteristics: $PRR \leq 10$ MHz, $Z_O = 50 \Omega$, $t_r/t_f \leq 30$ ns.
- C. The outputs are measured one at a time, with one transition per measurement.
- D. I/Os are configured as inputs.

图 7-4. Reset Load Circuits and Voltage Waveforms

8 Detailed Description

8.1 Overview

The bidirectional voltage-level translation in the TCA6408A-Q1 is provided through V_{CCI} . V_{CCI} must be connected to the V_{CC} of the external SCL/SDA lines. This indicates the V_{CC} level of the I²C bus to the TCA6408A-Q1. The voltage level on the P-port of the TCA6408A-Q1 is determined by V_{CCP} .

The TCA6408A-Q1 consists of one 8-bit Configuration (input or output selection), Input, Output, and Polarity Inversion (active high) Register. At power on, the I/Os are configured as inputs. However, the system controller can enable the I/Os as either inputs or outputs by writing to the I/O configuration bits. The data for each input or output is kept in the corresponding Input or Output Register. The polarity of the Input Port Register can be inverted with the Polarity Inversion Register. All registers can be read by the system controller.

The system controller can reset the TCA6408A-Q1 in the event of a timeout or other improper operation by asserting a low in the $\overline{\text{RESET}}$ input. The power-on reset puts the registers in their default state and initializes the I²C/SMBus state machine. The $\overline{\text{RESET}}$ pin causes the same reset/initialization to occur without depowering the part.

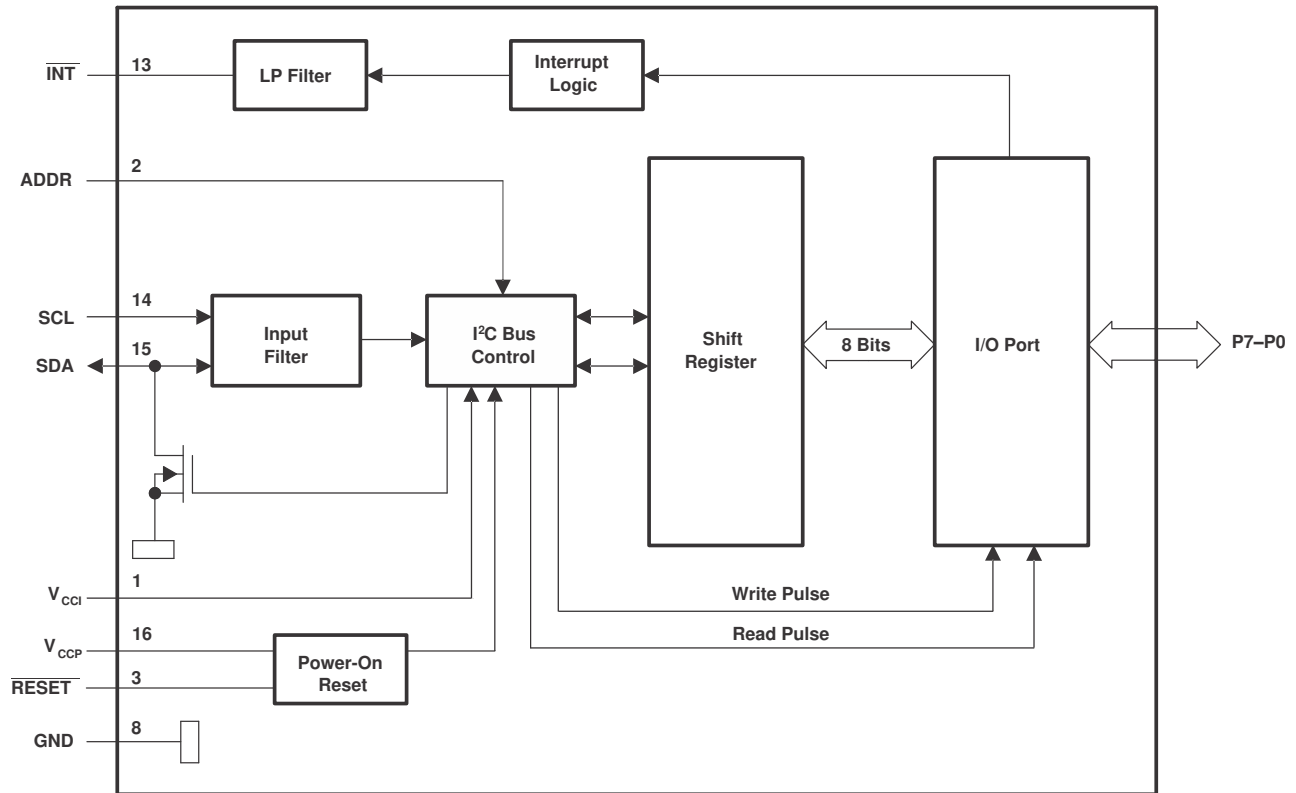
The TCA6408A-Q1 open-drain interrupt ($\overline{\text{INT}}$) output is activated when any input state differs from its corresponding Input Port Register state and is used to indicate to the system controller that an input state has changed.

$\overline{\text{INT}}$ can be connected to the interrupt input of a microcontroller. By sending an interrupt signal on this line, the remote I/O can inform the microcontroller if there is incoming data on its ports without having to communicate via the I²C bus. Thus, the TCA6408A-Q1 can remain a simple target device.

The device P-port outputs have high-current sink capabilities for directly driving LEDs while consuming low device current.

One hardware pin (ADDR) can be used to program and vary the fixed I²C address and allow up to two devices to share the same I²C bus or SMBus.

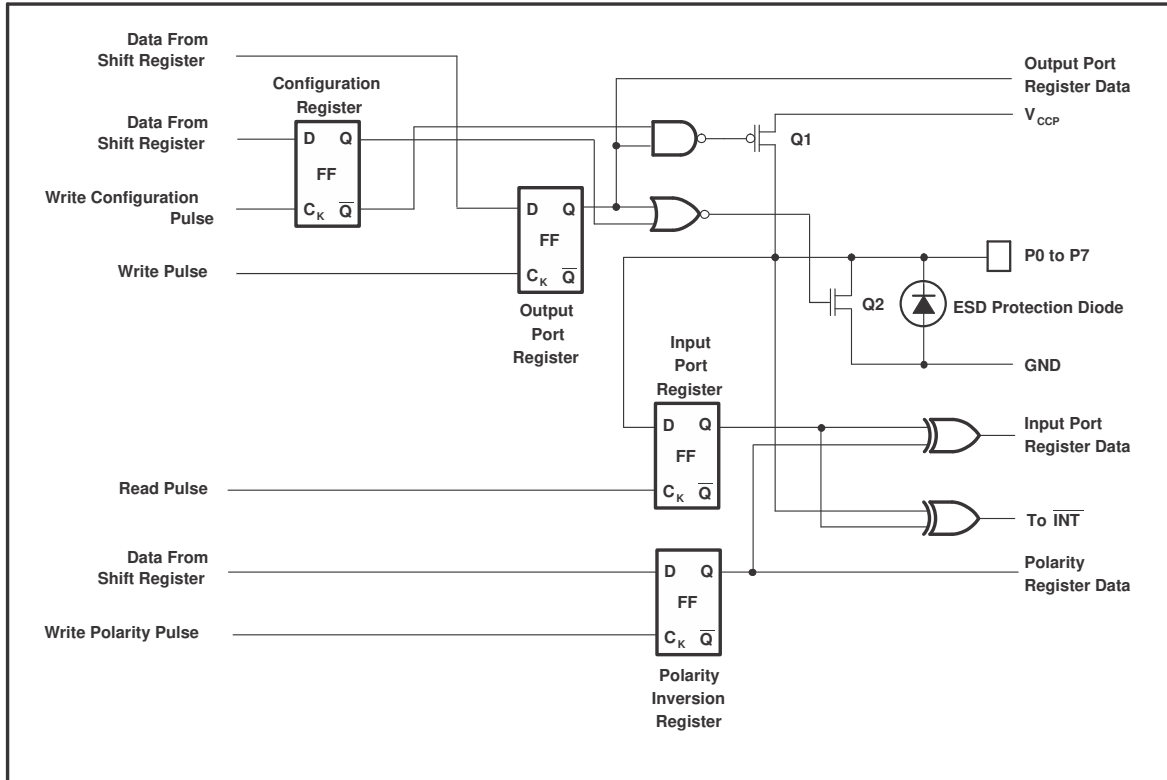
8.2 Functional Block Diagrams



Copyright © 2016, Texas Instruments Incorporated

All pin numbers shown are for the PW package.
 All I/Os are set to inputs at reset.

图 8-1. Logic Diagram (Positive Logic)



Copyright © 2016, Texas Instruments Incorporated

On power up or reset, all registers return to default values.

图 8-2. Simplified Schematic of P0 to P7

8.3 Feature Description

8.3.1 Voltage Translation

表 8-1 shows some common supply voltage options for voltage translation between the I²C bus and the P-ports of the TCA6408A-Q1.

表 8-1. Voltage Translation

V _{CCI} (SCL AND SDA OF I ² C CONTROLLER) (V)	V _{CCP} (P-PORT) (V)
1.8	1.8
1.8	2.5
1.8	3.3
2.5	1.8
2.5	2.5
2.5	3.3
3.3	1.8
3.3	2.5
3.3	3.3

8.3.2 I/O Port

When an I/O is configured as an input, FETs Q1 and Q2 are off, which creates a high-impedance input. The input voltage may be raised above V_{CC} to a maximum of 3.6 V.

If the I/O is configured as an output, Q1 or Q2 is enabled, depending on the state of the output port register. In this case, there are low-impedance paths between the I/O pin and either V_{CC} or GND. The external voltage applied to this I/O pin must not exceed the recommended levels for proper operation.

8.3.3 Interrupt Output ($\overline{\text{INT}}$)

An interrupt is generated by any rising or falling edge of the port inputs in the input mode. After time t_{iv}, the signal $\overline{\text{INT}}$ is valid. Resetting the interrupt circuit is achieved when data on the port is changed to the original setting or when data is read from the port that generated the interrupt. Resetting occurs in the read mode at the acknowledge (ACK) or not acknowledge (NACK) bit after the rising edge of the SCL signal. Interrupts that occur during the ACK or NACK clock pulse can be lost (or be very short) due to the resetting of the interrupt during this pulse. Each change of the I/Os after resetting is detected and is transmitted as $\overline{\text{INT}}$.

Reading from or writing to another device does not affect the interrupt circuit, and a pin configured as an output cannot cause an interrupt. Changing an I/O from an output to an input may cause a false interrupt to occur if the state of the pin does not match the contents of the Input Port register.

The $\overline{\text{INT}}$ output has an open-drain structure and requires pull-up resistor to V_{CCP} or V_{CCI}, depending on the application. $\overline{\text{INT}}$ must be connected to the voltage source of the device that requires the interrupt information.

8.3.4 Reset Input ($\overline{\text{RESET}}$)

The $\overline{\text{RESET}}$ input can be asserted to initialize the system while keeping the V_{CCP} at its operating level. A reset can be accomplished by holding the $\overline{\text{RESET}}$ pin low for a minimum of t_w. The TCA6408A-Q1 registers and I²C/SMBus state machine are changed to their default state when $\overline{\text{RESET}}$ is low (0). When $\overline{\text{RESET}}$ is high (1), the I/O levels at the P-port can be changed externally or through the controller. This input requires a pull-up resistor to V_{CCI}, if no active connection is used. It is not recommended to assert the $\overline{\text{RESET}}$ pin during communication with the TCA6408A-Q1. Assertion of $\overline{\text{RESET}}$ during communication can result in data corruption.

8.4 Device Functional Modes

8.4.1 Power-On Reset (POR)

When power (from 0 V) is applied to V_{CCP} , an internal power-on reset holds the TCA6408A-Q1 in a reset condition until V_{CCP} has reached V_{PORR} . At that time, the reset condition is released, and the TCA6408A-Q1 registers and I²C/SMBus state machine initialize to their default states. After that, V_{CCP} must be lowered to below V_{PORF} and back up to the operating voltage for a power-reset cycle.

8.4.2 Powered-Up

When power has been applied to both V_{CCP} and V_{CCI} and a POR has taken place, the device is in a functioning mode. The device is always ready to receive new requests via the I²C bus.

8.5 Programming

8.5.1 I²C Interface

The TCA6408A-Q1 has a standard bidirectional I²C interface that is controlled by a controller device in order to be configured or read the status of this device. Each target on the I²C bus has a specific device address to differentiate between other target devices that are on the same I²C bus. Many target devices require configuration upon startup to set the behavior of the device. This is typically done when the controller accesses internal register maps of the target, which have unique register addresses. A device can have one or multiple registers where data is stored, written, or read.

The physical I²C interface consists of the serial clock (SCL) and serial data (SDA) lines. Both SDA and SCL lines must be connected to V_{CC} through a pull-up resistor. The size of the pull-up resistor is determined by the amount of capacitance on the I²C lines. (For further details, see the application report, *I²C Pull-up Resistor Calculation* (SLVA689)). Data transfer may be initiated only when the bus is idle. A bus is considered idle if both SDA and SCL lines are high after a STOP condition. See [图 8-3](#) and [图 8-4](#).

The following is the general procedure for a controller to access a target device:

1. If a controller wants to send data to a target:
 - Controller-transmitter sends a START condition and addresses the target-receiver.
 - Controller-transmitter sends data to target-receiver.
 - Controller-transmitter terminates the transfer with a STOP condition.
2. If a controller wants to receive or read data from a target:
 - Controller-receiver sends a START condition and addresses the target-transmitter.
 - Controller-receiver sends the requested register to read to target-transmitter.
 - Controller-receiver receives data from the target-transmitter.
 - Controller-receiver terminates the transfer with a STOP condition.

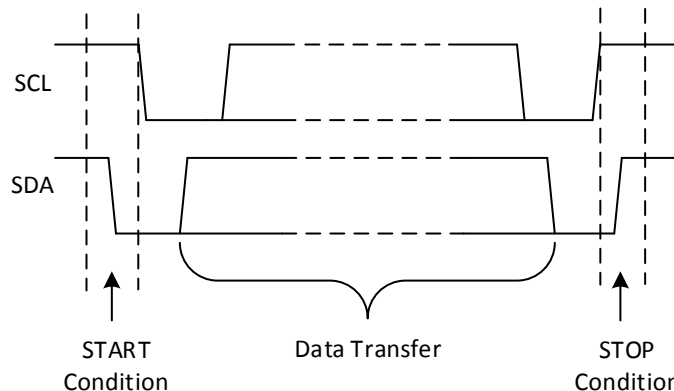


图 8-3. Definition of Start and Stop Conditions

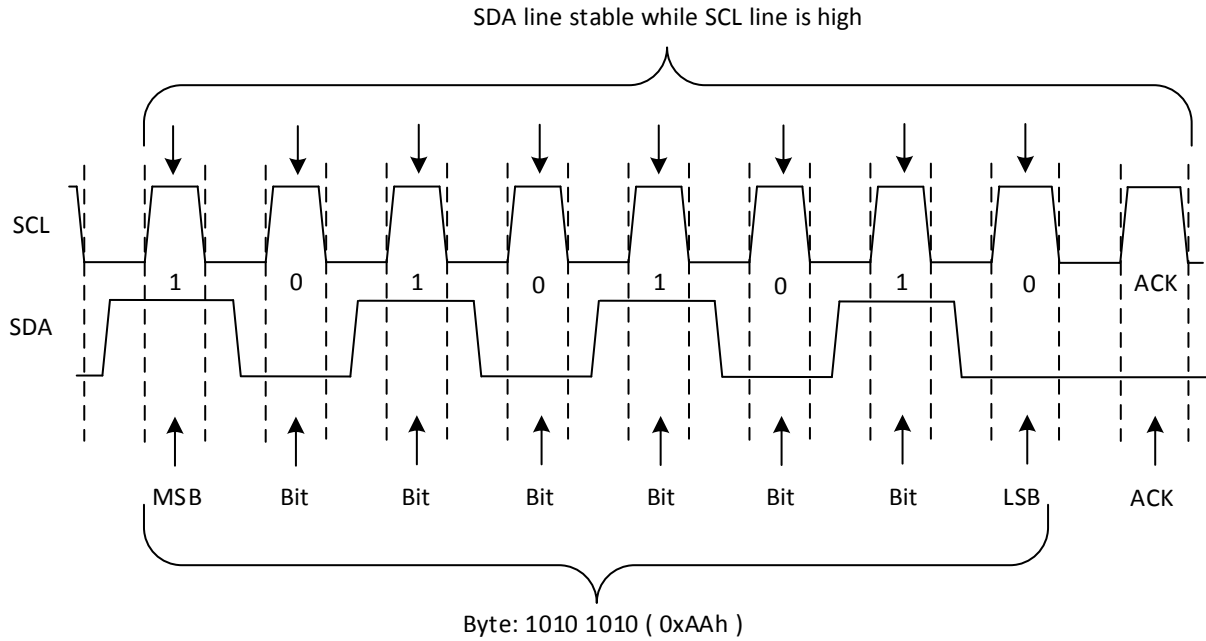


图 8-4. Bit Transfer

表 8-2 shows the interface definition for the TCA6408A-Q1 device.

表 8-2. Interface Definition

BYTE	BIT							
	7 (MSB)	6	5	4	3	2	1	0 (LSB)
I ² C target address	L	H	L	L	L	L	ADDR	R/ \bar{W}
I/O data bus	P7	P6	P5	P4	P3	P2	P1	P0

8.5.2 Bus Transactions

Data must be sent to and received from the target devices, and this is accomplished by reading from or writing to registers in the target device.

Registers are locations in the memory of the target which contain information, whether it be the configuration information or some sampled data to send back to the controller. The controller must write information to these registers in order to instruct the target device to perform a task.

While it is common to have registers in I²C targets, note that not all target devices will have registers. Some devices are simple and contain only 1 register, which may be written to directly by sending the register data immediately after the target address, instead of addressing a register. An example of a single-register device is an 8-bit I²C switch, which is controlled via I²C commands. Since it has 1 bit to enable or disable a channel, there is only 1 register needed, and the controller merely writes the register data after the target address, skipping the register number.

8.5.2.1 Writes

To write on the I²C bus, the controller sends a START condition on the bus with the address of the target, as well as the last bit (the R/ \bar{W} bit) set to 0, which signifies a write. After the target sends the acknowledge bit, the controller then sends the register address of the register to which it wishes to write. The target will acknowledge again, letting the controller know it is ready. After this, the controller starts sending the register data to the target until the controller has sent all the data necessary (which is sometimes only a single byte), and the controller terminates the transmission with a STOP condition.

图 8-5 和 图 8-6 show an example of writing a single byte to a target register.

- Controller controls SDA line
- Target controls SDA line

Write to one register in a device

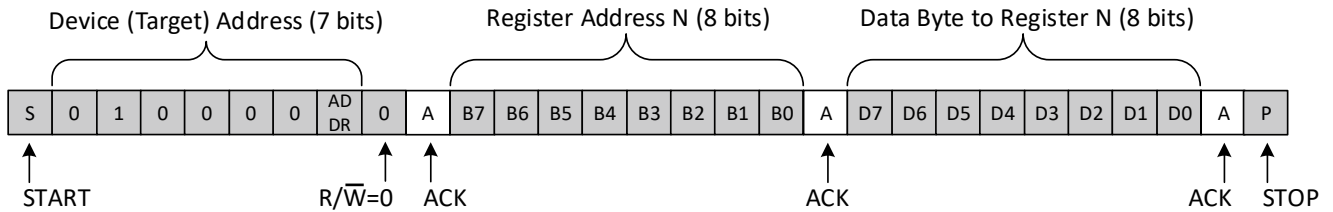


图 8-5. Write to Register

- Controller controls SDA line
- Target controls SDA line

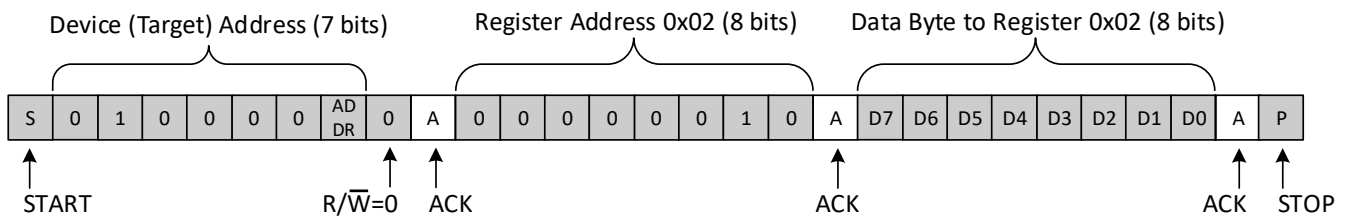


图 8-6. Write to the Polarity Inversion Register

8.5.2.2 Reads

Reading from a target is very similar to writing, but requires some additional steps. In order to read from a target, the controller must first instruct the target which register it wishes to read from. This is done by the controller starting off the transmission in a similar fashion as the write, by sending the address with the R/ \overline{W} bit equal to 0 (signifying a write), followed by the register address it wishes to read from. When the target acknowledges this register address, the controller sends a START condition again, followed by the target address with the R/ \overline{W} bit set to 1 (signifying a read). This time, the target acknowledges the read request, and the controller releases the SDA bus but continues supplying the clock to the target. During this part of the transaction, the controller becomes the controller-receiver, and the target becomes the target-transmitter.

The controller continues to send out the clock pulses, but releases the SDA line so that the target can transmit data. At the end of every byte of data, the controller sends an ACK to the target, letting the target know that it is ready for more data. When the controller has received the number of bytes it is expecting, it sends a NACK, signaling to the target to halt communications and release the bus. The controller follows this up with a STOP condition.

Read transactions that are performed without writing to the address of the device and simply supply the command byte will result in a NACK.

图 8-7 和 图 8-8 显示从目标寄存器读取单个字节的示例。

- Controller controls SDA line
- Target controls SDA line

Read from one register in a device

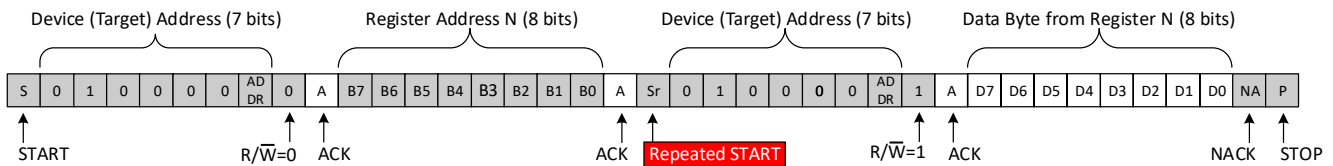
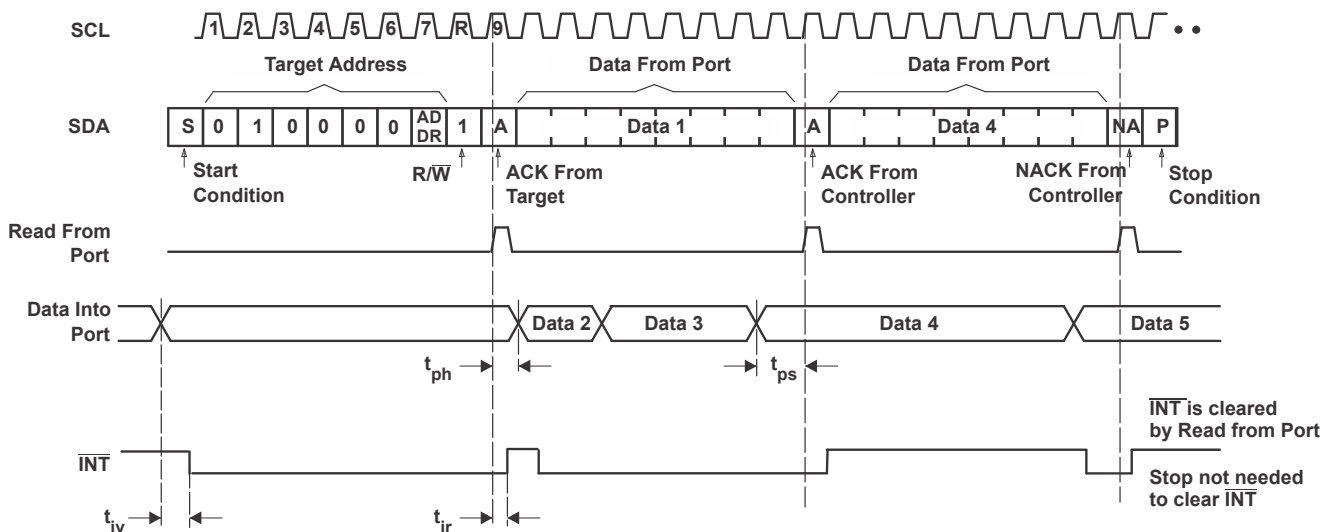


图 8-7. Read from Register



- A. Transfer of data can be stopped at any time by a Stop condition. When this occurs, data present at the latest acknowledge phase is valid (output mode). It is assumed that the command byte previously has been set to 00 (read Input Port Register).
- B. This figure eliminates the command byte transfer, a restart, and target address call between the initial target address call and actual data transfer from P-port (see 图 8-7).

图 8-8. Read from Input Port Register

8.6 Register Map

8.6.1 Device Address

The address of the TCA6408A-Q1 is shown in [图 8-9](#).

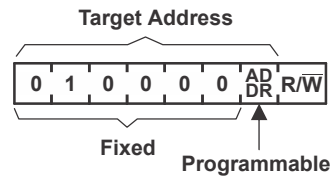


图 8-9. TCA6408A-Q1 Address

[表 8-3](#) shows the TCA6408A-Q1 address reference.

表 8-3. Address Reference

ADDR	I ² C BUS TARGET ADDRESS
L	32 (decimal), 20 (hexadecimal)
H	33 (decimal), 21 (hexadecimal)

The last bit of the target address defines the operation (read or write) to be performed. A high (1) selects a read operation, while a low (0) selects a write operation.

8.6.2 Control Register and Command Byte

Following the successful acknowledgment of the address byte, the bus controller sends a command byte (see [表 8-4](#)), which is stored in the Control Register in the TCA6408A-Q1. Two bits of this data byte state both the operation (read or write) and the internal registers (Input, Output, Polarity Inversion, or Configuration) that is affected. This register can be written or read through the I²C bus. The command byte is sent only during a write transmission. See [图 8-10](#).

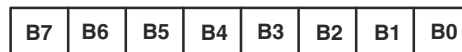


图 8-10. Control Register Bits

表 8-4. Command Byte

CONTROL REGISTER BITS								COMMAND BYTE (HEX)	REGISTER	PROTOCOL	POWER-UP DEFAULT
B7	B6	B5	B4	B3	B2	B1	B0				
0	0	0	0	0	0	0	0	00	Input Port	Read byte	xxxx xxxx
0	0	0	0	0	0	0	1	01	Output Port	Read/write byte	1111 1111
0	0	0	0	0	0	1	0	02	Polarity Inversion	Read/write byte	0000 0000
0	0	0	0	0	0	1	1	03	Configuration	Read/write byte	1111 1111

8.6.3 Register Descriptions

The Input Port Register (register 0) reflects the incoming logic levels of the pins, regardless of whether the pin is defined as an input or an output by the Configuration Register. They act only on read operation. Writes to this register have no effect. The default value (X) is determined by the externally applied logic level. Before a read operation, a write transmission is sent with the command byte to indicate to the I²C device that the Input Port Register will be accessed next. See [表 8-5](#).

表 8-5. Register 0 (Input Port Register)

BIT	I-7	I-6	I-5	I-4	I-3	I-2	I-1	I-0
DEFAULT	X	X	X	X	X	X	X	X

The Output Port Register (register 1) shows the outgoing logic levels of the pins defined as outputs by the Configuration Register. Bit values in this register have no effect on pins defined as inputs. In turn, reads from this register reflect the value that is in the flip-flop controlling the output selection, not the actual pin value. See [表 8-6](#).

表 8-6. Register 1 (Output Port Register)

BIT	O-7	O-6	O-5	O-4	O-3	O-2	O-1	O-0
DEFAULT	1	1	1	1	1	1	1	1

The Polarity Inversion Register (register 2) allows polarity inversion of pins defined as inputs by the Configuration Register. If a bit in this register is set (written with 1), the polarity of the corresponding port pin is inverted. If a bit in this register is cleared (written with a 0), the original polarity of the corresponding port pin is retained. See [表 8-7](#).

表 8-7. Register 2 (Polarity Inversion Register)

BIT	N-7	N-6	N-5	N-4	N-3	N-2	N-1	N-0
DEFAULT	0	0	0	0	0	0	0	0

The Configuration Register (register 3) configures the direction of the I/O pins. If a bit in this register is set to 1, the corresponding port pin is enabled as an input with a high-impedance output driver. If a bit in this register is cleared to 0, the corresponding port pin is enabled as an output. See [表 8-8](#).

表 8-8. Register 3 (Configuration Register)

BIT	C-7	C-6	C-5	C-4	C-3	C-2	C-1	C-0
DEFAULT	1	1	1	1	1	1	1	1

9 Application and Implementation

备注

Information in the following applications sections is not part of the TI component specification, and TI does not warrant its accuracy or completeness. TI's customers are responsible for determining suitability of components for their purposes. Customers should validate and test their design implementation to confirm system functionality.

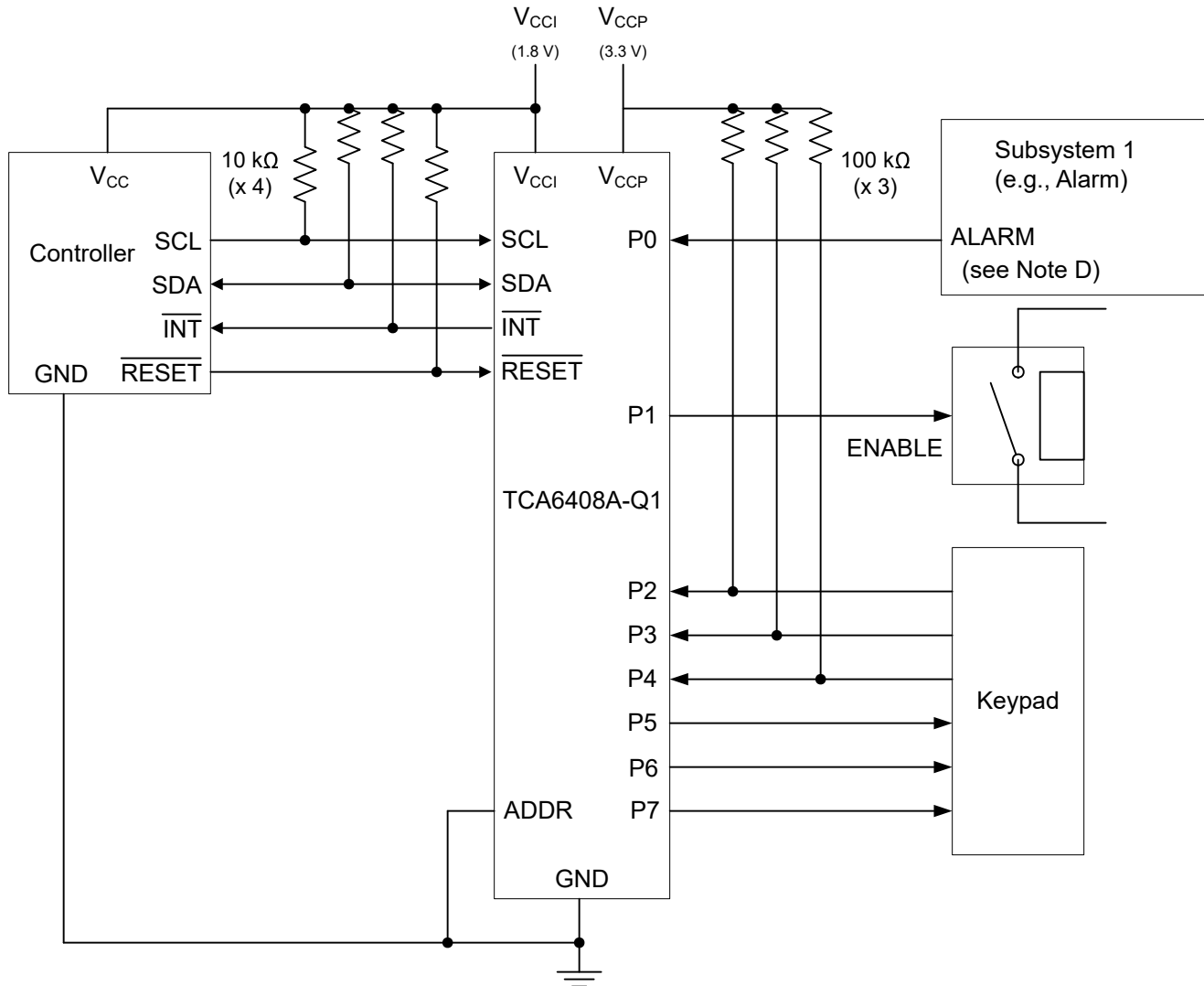
9.1 Application Information

Applications of the TCA6408A-Q1 has this device connected as a target to an I²C controller (processor), and the I²C bus may contain any number of other target devices. The TCA6408A-Q1 is in a remote location from the controller, placed close to the GPIOs to which the controller needs to monitor or control.

A typical application of the TCA6408A-Q1 operates with a lower voltage on the controller side (V_{CC1}), and a higher voltage on the P-port side (V_{CCP}). The P-ports can be configured as outputs connected to inputs of devices such as enable, reset, power select, the gate of a switch, and LEDs. The P-ports can also be configured as inputs to receive data from interrupts, alarms, status outputs, or push buttons.

9.2 Typical Application

图 9-1 shows an application in which the TCA6408A-Q1 can be used.



- A. Device address configured as 0100000 for this example.
- B. P0 and P2 - P4 are configured as inputs.
- C. P1 and P5 - P7 are configured as outputs.
- D. Resistors are required for inputs (on P-port) that may float. If a driver to an input will never let the input float, a resistor is not needed. Outputs (in the P-port) do not need pull-up resistors.

图 9-1. Typical Application Schematic

9.2.1 Design Requirements

9.2.1.1 Calculating Junction Temperature and Power Dissipation

When designing with the TCA6408A-Q1, it is important that the 节 6.3 not be violated. Many of the parameters of this device are rated based on junction temperature. So junction temperature must be calculated in order to verify that safe operation of the device is met. The basic equation for junction temperature is shown in 方程式 1.

$$T_j = T_A + (\theta_{JA} \times P_d) \quad (1)$$

θ_{JA} is the standard junction to ambient thermal resistance measurement of the package, as seen in 节 6.4 table. P_d is the total power dissipation of the device, and the approximation is shown in 方程式 2.

$$P_d \approx (I_{CC_STATIC} \times V_{CC}) + \sum P_{d_PORT_L} + \sum P_{d_PORT_H} \quad (2)$$

方程式 2 is the approximation of power dissipation in the device. The equation is the static power plus the summation of power dissipated by each port (with a different equation based on if the port is outputting high, or outputting low. If the port is set as an input, then power dissipation is the input leakage of the pin multiplied by the voltage on the pin). Note that this ignores power dissipation in the \overline{INT} and SDA pins, assuming these transients to be small. They can easily be included in the power dissipation calculation by using 方程式 3 to calculate the power dissipation in \overline{INT} or SDA while they are pulling low, and this gives maximum power dissipation.

$$P_{d_PORT_L} = (I_{OL} \times V_{OL}) \quad (3)$$

方程式 3 shows the power dissipation for a single port which is set to output low. The power dissipated by the port is the V_{OL} of the port multiplied by the current it is sinking.

$$P_{d_PORT_H} = (I_{OH} \times (V_{CC} - V_{OH})) \quad (4)$$

方程式 4 shows the power dissipation for a single port which is set to output high. The power dissipated by the port is the current sourced by the port multiplied by the voltage drop across the device (difference between V_{CC} and the output voltage).

9.2.1.2 Minimizing I_{CC} When I/O is Used to Control LEDs

When the I/Os are used to control LEDs, normally they are connected to V_{CC} through a resistor as shown in 图 9-1. The LED acts as a diode, so when the LED is off, the I/O V_{IN} is about 1.2 V less than V_{CC} . The ΔI_{CC} parameter in the 节 6.5 table shows how I_{CC} increases as V_{IN} becomes lower than V_{CC} . Designs that must minimize current consumption, such as battery power applications, must consider maintaining the I/O pins greater than or equal to V_{CC} when the LED is off.

图 9-2 shows a high-value resistor in parallel with the LED. 图 9-3 shows V_{CC} less than the LED supply voltage by at least 1.2 V. Both of these methods maintain the I/O V_{IN} at or above V_{CC} and prevent additional supply current consumption when the LED is off.

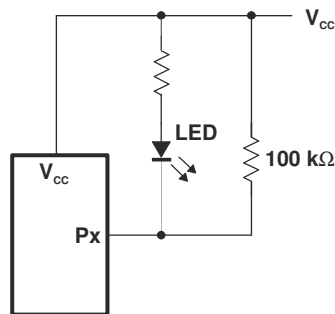


图 9-2. High-Value Resistor in Parallel With LED

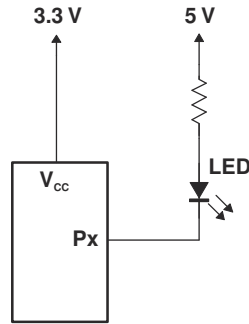


图 9-3. Device Supplied by a Low Voltage

9.2.2 Detailed Design Procedure

The pull-up resistors, R_p , for the SCL and SDA lines need to be selected appropriately and take into consideration the total capacitance of all targets on the I²C bus. The minimum pull-up resistance is a function of V_{CC} , $V_{OL(max)}$, and I_{OL} as shown in 方程式 5.

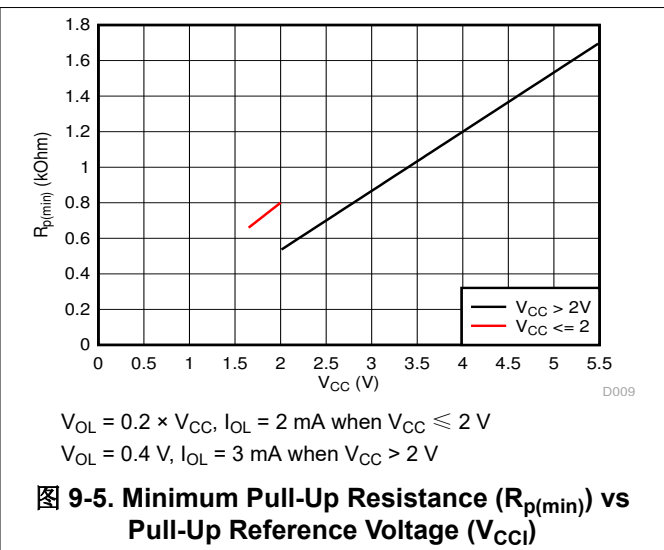
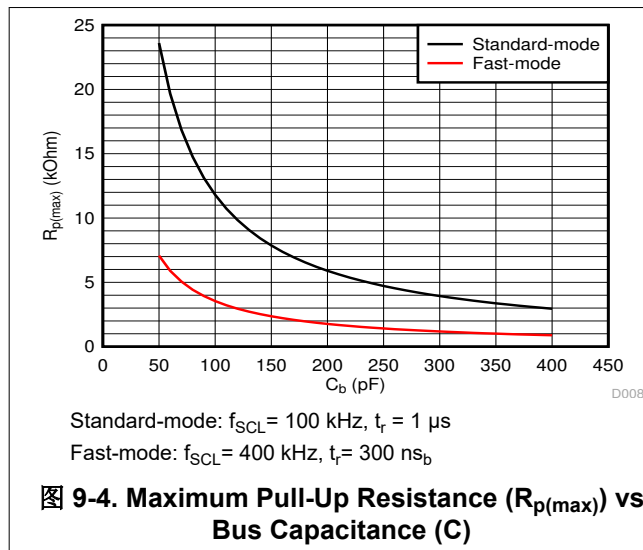
$$R_{p(min)} = \frac{V_{CC} - V_{OL(max)}}{I_{OL}} \quad (5)$$

The maximum pull-up resistance is a function of the maximum rise time, t_r (300 ns for fast-mode operation, $f_{SCL} = 400$ kHz) and bus capacitance, C_b as shown in 方程式 6.

$$R_{p(max)} = \frac{t_r}{0.8473 \times C_b} \quad (6)$$

The maximum bus capacitance for an I²C bus must not exceed 400 pF for standard-mode or fast-mode operation. The bus capacitance can be approximated by adding the capacitance of the TCA6408A-Q1, C_i for SCL or C_{IO} for SDA, the capacitance of wires, connections, traces, and the capacitance of additional targets on the bus.

9.2.3 Application Curves



9.3 Power Supply Recommendations

9.3.1 Power-On Reset Requirements

In the event of a glitch or data corruption, TCA6408A-Q1 can be reset to its default conditions by using the power-on reset feature. Power-on reset requires that the device go through a power cycle to be completely reset. This reset also happens when the device is powered on for the first time in an application.

Ramping up the device V_{CCP} before V_{CCI} is recommended to prevent SDA from potentially being stuck LOW.

The two types of power-on reset are shown in 图 9-6 and 图 9-7.

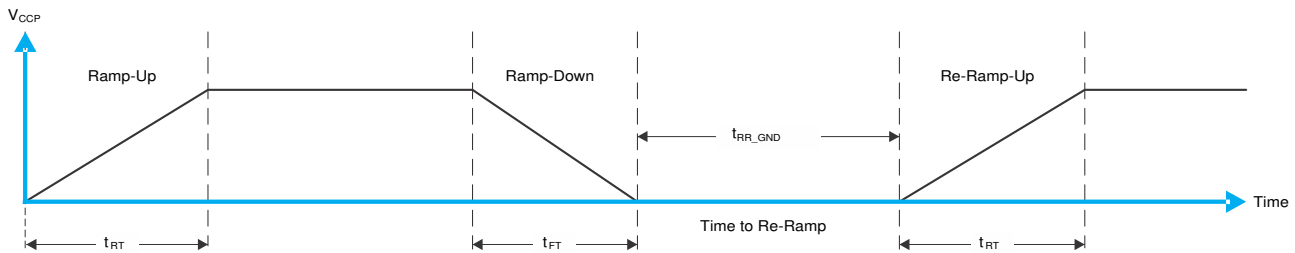


图 9-6. V_{CCP} is Lowered Below 0.2 V and then Ramped Up to V_{CCP}

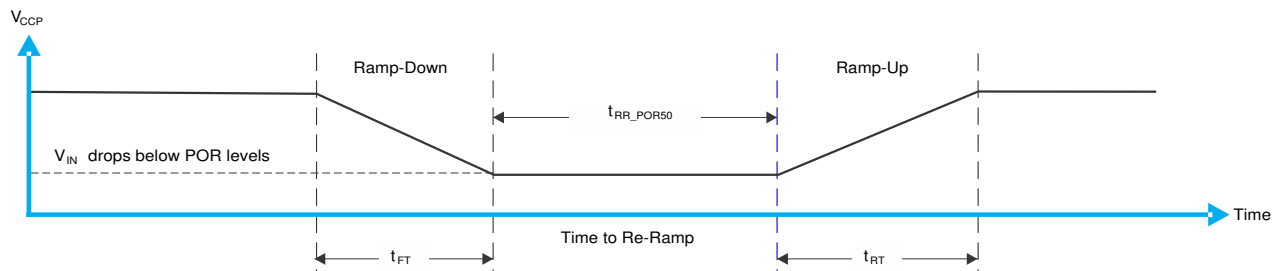


图 9-7. V_{CCP} is Lowered Below the POR Threshold, then Ramped Back Up to V_{CCP}

表 9-1 specifies the performance of the power-on reset feature for TCA6408A-Q1 for both types of power-on reset.

表 9-1. Recommended Supply Sequencing and Ramp Rates at $T_A = 25^\circ\text{C}^{(1)}$

PARAMETER		MIN	TYP	MAX	UNIT	
t_{FT}	Fall rate	See 图 9-6		0.1	2000	ms
t_{RT}	Rise rate	See 图 9-6		0.1	2000	ms
t_{RR_GND}	Time to re-ramp (when V_{CCP} drops to GND)	See 图 9-6		1		μs
t_{RR_POR50}	Time to re-ramp (when V_{CCP} drops to $V_{POR_MIN} - 50\text{ mV}$)	See 图 9-7		1		μs
V_{CCP_GH}	Level that V_{CCP} can glitch down from V_{CCP} , but not cause a functional disruption when $t_{VCCP_GW} = 1\ \mu\text{s}$	See 图 9-8		1.2		V
V_{CCP_MV}	The minimum voltage that VCC can glitch down to without causing a reset (V_{CC_GH} must not be violated)	See 图 9-8		1.5		V
t_{VCCP_GW}	Glitch width that does not cause a functional disruption when $t_{VCCP_GH} = 0.5 \times V_{CCx}$	See 图 9-8		10		μs
V_{PORF}	Voltage trip point of POR on falling V_{CCP}		0.6	1		V
V_{PORR}	Voltage trip point of POR on rising V_{CCP}		1.2	1.5		V

(1) Not tested. Specified by design.

Glitches in the power supply can also affect the power-on reset performance of this device. The glitch width ($t_{V_{CCP_GW}}$) and height (V_{CCP_GH}) are dependent on each other. The bypass capacitance, source impedance, and device impedance are factors that affect power-on reset performance. 图 9-8 和 表 9-1 provide more information on how to measure these specifications.

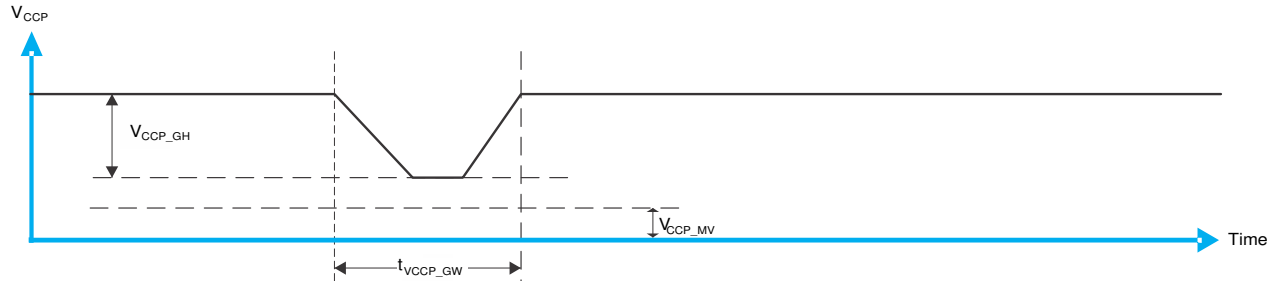


图 9-8. Glitch Width and Glitch Height

V_{POR} is critical to the power-on reset. V_{PORR} / V_{PORF} is the voltage level at which the reset condition is released/ asserted and all the registers and the I²C/SMBus state machine are initialized to the default states (upon a release of a reset condition). The voltage that the device has a reset condition asserted or released differs based on whether V_{CCP} is being lowered to or from 0. 图 9-9 和 表 9-1 provide more details on this specification.

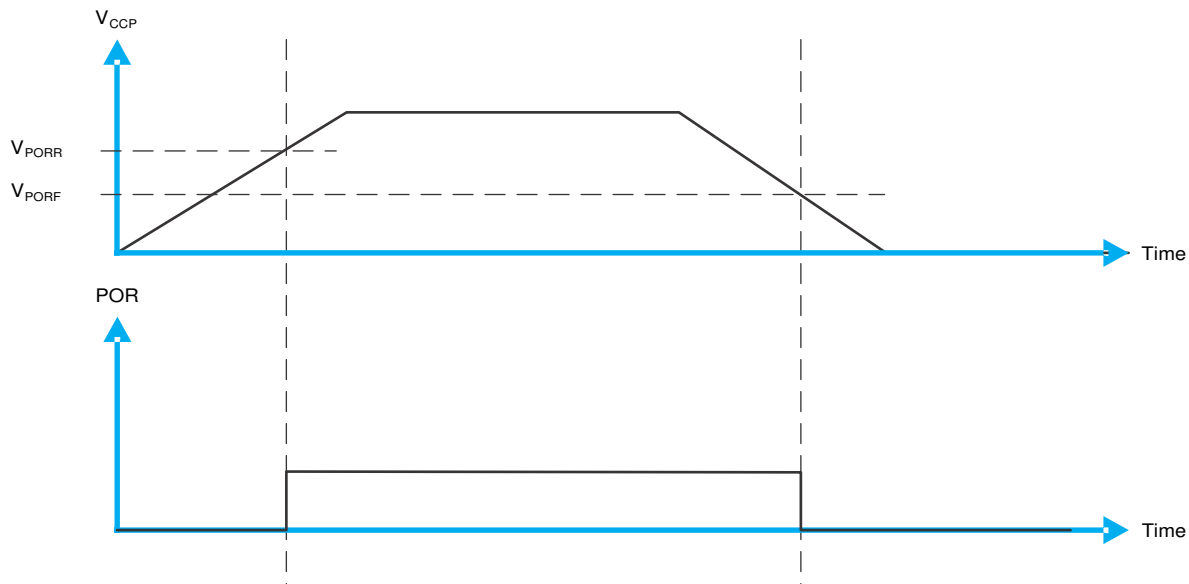


图 9-9. Power On Reset

9.4 Layout

9.4.1 Layout Guidelines

For printed circuit board (PCB) layout of the TCA6408A-Q1, common PCB layout practices must be followed, but additional concerns related to high-speed data transfer such as matched impedances and differential pairs are not a concern for I²C signal speeds.

In all PCB layouts, it is a best practice to avoid right angles in signal traces, to fan out signal traces away from each other upon leaving the vicinity of an integrated circuit (IC), and to use thicker trace widths to carry higher amounts of current that commonly pass through power and ground traces. By-pass and de-coupling capacitors are commonly used to control the voltage on the V_{CCI} and V_{CCP} pins, using a larger capacitor to provide additional power in the event of a short power supply glitch and a smaller capacitor to filter out high-frequency

ripple. These capacitors must be placed as close to the TCA6408A-Q1 as possible. These best practices are shown in § 9.4.2.

For the layout example provided in § 9.4.2, it is possible to fabricate a PCB with only 2 layers by using the top layer for signal routing and the bottom layer as a split plane for power (V_{CCI} and V_{CCP}) and ground (GND). However, a 4-layer board is preferable for boards with higher density signal routing. On a 4-layer PCB, it is common to route signals on the top and bottom layer, dedicate one internal layer to a ground plane, and dedicate the other internal layer to a power plane. In a board layout using planes or split planes for power and ground, vias are placed directly next to the surface mount component pad which needs to attach to V_{CCI} , V_{CCP} , or GND and the via is connected electrically to the internal layer or the other side of the board. Vias are also used when a signal trace needs to be routed to the opposite side of the board, but this technique is not demonstrated in § 9.4.2.

9.4.2 Layout Example

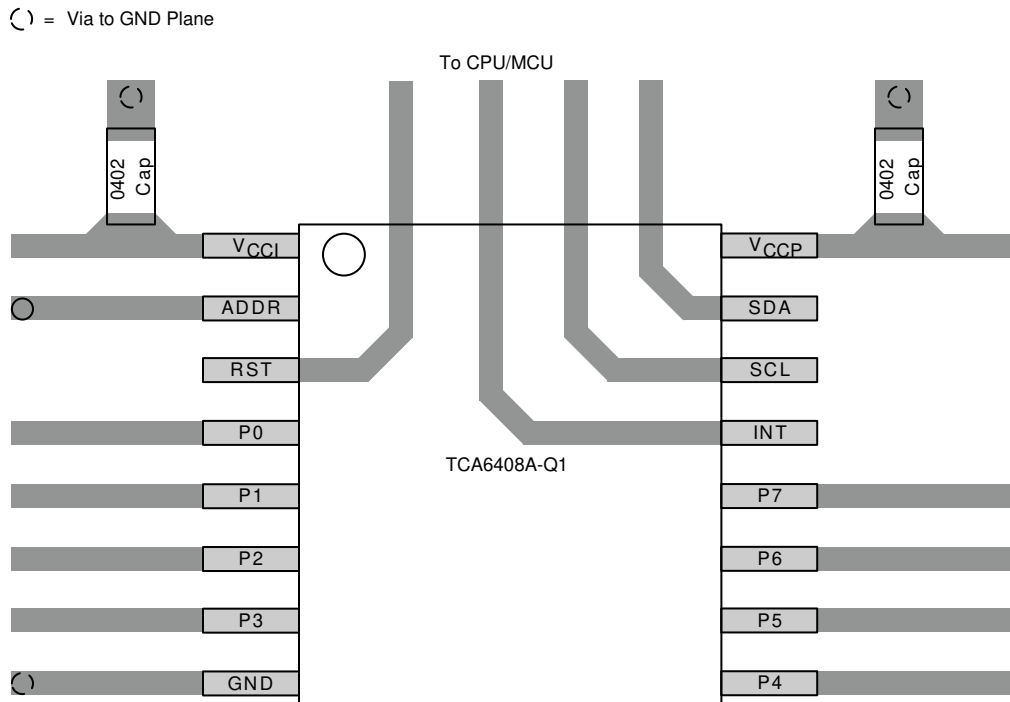


图 9-10. Example Layout (PW Package)

10 Device and Documentation Support

10.1 Receiving Notification of Documentation Updates

To receive notification of documentation updates, navigate to the device product folder on ti.com. In the upper right corner, click on *Alert me* to register and receive a weekly digest of any product information that has changed. For change details, review the revision history included in any revised document.

10.2 商标

TI E2E™ is a trademark of Texas Instruments.

所有商标均为其各自所有者的财产。

10.3 静电放电警告



静电放电 (ESD) 会损坏这个集成电路。德州仪器 (TI) 建议通过适当的预防措施处理所有集成电路。如果不遵守正确的处理和安装程序，可能会损坏集成电路。

ESD 的损坏小至导致微小的性能降级，大至整个器件故障。精密的集成电路可能更容易受到损坏，这是因为非常细微的参数更改都可能会导致器件与其发布的规格不相符。

10.4 术语表

[TI 术语表](#) 本术语表列出并解释了术语、首字母缩略词和定义。

11 支持资源

[TI E2E™ 支持论坛](#) 是工程师的重要参考资料，可直接从专家获得快速、经过验证的解答和设计帮助。搜索现有解答或提出自己的问题可获得所需的快速设计帮助。

链接的内容由各个贡献者“按原样”提供。这些内容并不构成 TI 技术规范，并且不一定反映 TI 的观点；请参阅 TI 的《[使用条款](#)》。

12 Mechanical, Packaging, and Orderable Information

The following pages include mechanical, packaging, and orderable information. This information is the most current data available for the designated devices. This data is subject to change without notice and revision of this document. For browser-based versions of this data sheet, refer to the left-hand navigation.

PACKAGING INFORMATION

Orderable Device	Status (1)	Package Type	Package Drawing	Pins	Package Qty	Eco Plan (2)	Lead finish/ Ball material (6)	MSL Peak Temp (3)	Op Temp (°C)	Device Marking (4/5)	Samples
TCA6408AQPWRQ1	ACTIVE	TSSOP	PW	16	2000	RoHS & Green	NIPDAU	Level-1-260C-UNLIM	-40 to 125	6408AQ	Samples

(1) The marketing status values are defined as follows:

ACTIVE: Product device recommended for new designs.

LIFEBUY: TI has announced that the device will be discontinued, and a lifetime-buy period is in effect.

NRND: Not recommended for new designs. Device is in production to support existing customers, but TI does not recommend using this part in a new design.

PREVIEW: Device has been announced but is not in production. Samples may or may not be available.

OBSELETE: TI has discontinued the production of the device.

(2) **RoHS:** TI defines "RoHS" to mean semiconductor products that are compliant with the current EU RoHS requirements for all 10 RoHS substances, including the requirement that RoHS substance do not exceed 0.1% by weight in homogeneous materials. Where designed to be soldered at high temperatures, "RoHS" products are suitable for use in specified lead-free processes. TI may reference these types of products as "Pb-Free".

RoHS Exempt: TI defines "RoHS Exempt" to mean products that contain lead but are compliant with EU RoHS pursuant to a specific EU RoHS exemption.

Green: TI defines "Green" to mean the content of Chlorine (Cl) and Bromine (Br) based flame retardants meet JS709B low halogen requirements of <=1000ppm threshold. Antimony trioxide based flame retardants must also meet the <=1000ppm threshold requirement.

(3) MSL, Peak Temp. - The Moisture Sensitivity Level rating according to the JEDEC industry standard classifications, and peak solder temperature.

(4) There may be additional marking, which relates to the logo, the lot trace code information, or the environmental category on the device.

(5) Multiple Device Markings will be inside parentheses. Only one Device Marking contained in parentheses and separated by a "-" will appear on a device. If a line is indented then it is a continuation of the previous line and the two combined represent the entire Device Marking for that device.

(6) Lead finish/Ball material - Orderable Devices may have multiple material finish options. Finish options are separated by a vertical ruled line. Lead finish/Ball material values may wrap to two lines if the finish value exceeds the maximum column width.

Important Information and Disclaimer:The information provided on this page represents TI's knowledge and belief as of the date that it is provided. TI bases its knowledge and belief on information provided by third parties, and makes no representation or warranty as to the accuracy of such information. Efforts are underway to better integrate information from third parties. TI has taken and continues to take reasonable steps to provide representative and accurate information but may not have conducted destructive testing or chemical analysis on incoming materials and chemicals. TI and TI suppliers consider certain information to be proprietary, and thus CAS numbers and other limited information may not be available for release.

In no event shall TI's liability arising out of such information exceed the total purchase price of the TI part(s) at issue in this document sold by TI to Customer on an annual basis.

OTHER QUALIFIED VERSIONS OF TCA6408A-Q1 :

- Catalog : [TCA6408A](#)

NOTE: Qualified Version Definitions:

- Catalog - TI's standard catalog product

TAPE AND REEL INFORMATION

QUADRANT ASSIGNMENTS FOR PIN 1 ORIENTATION IN TAPE


*All dimensions are nominal

Device	Package Type	Package Drawing	Pins	SPQ	Reel Diameter (mm)	Reel Width W1 (mm)	A0 (mm)	B0 (mm)	K0 (mm)	P1 (mm)	W (mm)	Pin1 Quadrant
TCA6408AQPWRQ1	TSSOP	PW	16	2000	330.0	12.4	6.9	5.6	1.6	8.0	12.0	Q1

TAPE AND REEL BOX DIMENSIONS


*All dimensions are nominal

Device	Package Type	Package Drawing	Pins	SPQ	Length (mm)	Width (mm)	Height (mm)
TCA6408AQPWRQ1	TSSOP	PW	16	2000	356.0	356.0	35.0



4220204/A 02/2017

NOTES:

1. All linear dimensions are in millimeters. Any dimensions in parenthesis are for reference only. Dimensioning and tolerancing per ASME Y14.5M.
2. This drawing is subject to change without notice.
3. This dimension does not include mold flash, protrusions, or gate burrs. Mold flash, protrusions, or gate burrs shall not exceed 0.15 mm per side.
4. This dimension does not include interlead flash. Interlead flash shall not exceed 0.25 mm per side.
5. Reference JEDEC registration MO-153.

EXAMPLE BOARD LAYOUT

PW0016A

TSSOP - 1.2 mm max height

SMALL OUTLINE PACKAGE



LAND PATTERN EXAMPLE
EXPOSED METAL SHOWN
SCALE: 10X



SOLDER MASK DETAILS

4220204/A 02/2017

NOTES: (continued)

- 6. Publication IPC-7351 may have alternate designs.
- 7. Solder mask tolerances between and around signal pads can vary based on board fabrication site.

EXAMPLE STENCIL DESIGN

PW0016A

TSSOP - 1.2 mm max height

SMALL OUTLINE PACKAGE



SOLDER PASTE EXAMPLE
BASED ON 0.125 mm THICK STENCIL
SCALE: 10X

4220204/A 02/2017

NOTES: (continued)

8. Laser cutting apertures with trapezoidal walls and rounded corners may offer better paste release. IPC-7525 may have alternate design recommendations.
9. Board assembly site may have different recommendations for stencil design.

重要声明和免责声明

TI“按原样”提供技术和可靠性数据（包括数据表）、设计资源（包括参考设计）、应用或其他设计建议、网络工具、安全信息和其他资源，不保证没有瑕疵且不做任何明示或暗示的担保，包括但不限于对适销性、某特定用途方面的适用性或不侵犯任何第三方知识产权的暗示担保。

这些资源可供使用 TI 产品进行设计的熟练开发人员使用。您将自行承担以下全部责任：(1) 针对您的应用选择合适的 TI 产品，(2) 设计、验证并测试您的应用，(3) 确保您的应用满足相应标准以及任何其他功能安全、信息安全、监管或其他要求。

这些资源如有变更，恕不另行通知。TI 授权您仅可将这些资源用于研发本资源所述的 TI 产品的应用。严禁对这些资源进行其他复制或展示。您无权使用任何其他 TI 知识产权或任何第三方知识产权。您应全额赔偿因在这些资源的使用中对 TI 及其代表造成的任何索赔、损害、成本、损失和债务，TI 对此概不负责。

TI 提供的产品受 [TI 的销售条款](#) 或 [ti.com](#) 上其他适用条款/TI 产品随附的其他适用条款的约束。TI 提供这些资源并不会扩展或以其他方式更改 TI 针对 TI 产品发布的适用的担保或担保免责声明。

TI 反对并拒绝您可能提出的任何其他或不同的条款。

邮寄地址：Texas Instruments, Post Office Box 655303, Dallas, Texas 75265

Copyright © 2023，德州仪器 (TI) 公司