

TCAN1044-Q1 具有 1.8V I/O 支持和故障保护功能的汽车级 CAN FD 收发器

1 特性

- AEC-Q100：符合汽车应用要求
 - 温度等级 1：-40°C 至 125°C T_A
- 符合 ISO 11898-2:2016 和 ISO 11898-5:2007 物理层标准中的要求
- 功能安全型
 - 可提供用于功能安全系统设计的文档
- 支持传统 CAN 和经优化的 CAN FD 性能 (数据速率为 2Mbps、5Mbps 和 8Mbps)
 - 具有较短的对称传播延迟时间，可增加时序裕量
 - 在有负载 CAN 网络中实现更快的数据速率
- I/O 电压范围支持 1.7V 至 5.5V
 - 支持 1.8V、2.5V、3.3V 和 5V 应用
- 保护特性：
 - 总线故障保护：±58V
 - 欠压保护
 - TXD 显性超时 (DTO)
 - 数据速率低至 9.2kbps
 - 热关断保护 (TSD)
- 工作模式：
 - 正常模式
 - 支持远程唤醒请求功能的低功耗待机模式
- 优化了未上电时的性能
 - 总线和逻辑引脚为高阻抗 (运行总线或应用上无负载)
 - 支持热插拔：在总线和 RXD 输出上可实现上电/断电无干扰运行
- 结温范围：-40°C 至 150°C
- 接收器共模输入电压：±12V
- 采用 SOIC (8)、SOT23 (8) 封装以及无引线 VSON (8) 封装，具有改善的自动光学检测 (AOI) 功能

2 应用

- 汽车和运输
 - 车身控制模块
 - 汽车网关
 - 高级驾驶辅助系统 (ADAS)
 - 信息娱乐系统

3 说明

TCAN1044-Q1 是一款高速控制器局域网 (CAN) 收发器，满足 ISO 11898-2:2016 高速 CAN 规范对物理层的要求。

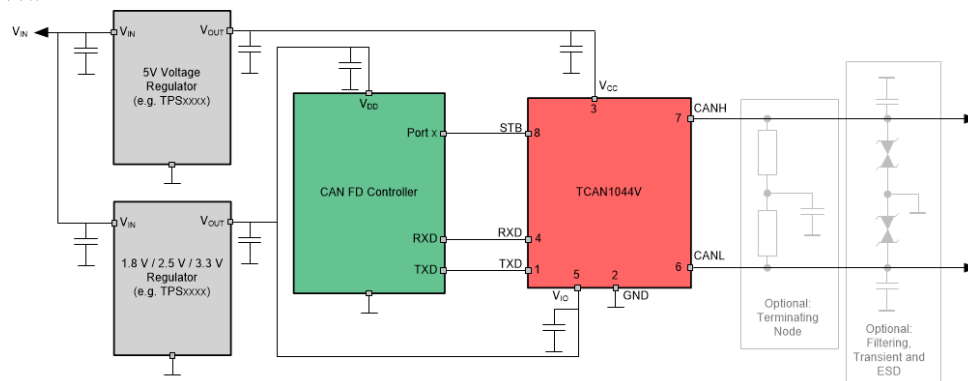
TCAN1044-Q1 收发器支持传统 CAN 和 CAN FD 网络 (数据速率高达 8 兆位/秒 (Mbps))。TCAN1044-Q1 包括通过 V_{IO} 端子实现的内部逻辑电平转换功能，允许将收发器 I/O 直接连接到 1.8V、2.5V、3.3V 或 5V 逻辑 I/O。此类收发器支持低功耗待机模式，并且可通过符合 ISO 11898-2:2016 所定义唤醒模式 (WUP) 的 CAN 来唤醒。此外，TCAN1044-Q1 收发器还包括保护和诊断功能，支持热关断 (TSD)、TXD 显性超时 (DTO)、电源欠压检测和高达 ±58V 的总线故障保护。

封装信息

器件型号	封装 ⁽¹⁾	封装尺寸 ⁽²⁾
TCAN1044-Q1	SOT (DDF , 8)	2.9mm x 2.8mm
	VSON (DRB , 8)	3mm x 3mm
	SOIC (D , 8)	4.9mm x 6mm

(1) 有关更多信息，请参阅节 11。

(2) 封装尺寸 (长 × 宽) 为标称值，并包括引脚 (如适用)。



简化原理图



Table of Contents

1 特性	1	7.2 Functional Block Diagram.....	15
2 应用	1	7.3 Feature Description.....	16
3 说明	1	7.4 Device Functional Modes.....	20
4 Pin Configuration and Functions	3	8 Application and Implementation	23
5 Specifications	4	8.1 Application Information.....	23
5.1 Absolute Maximum Ratings.....	4	8.2 Typical Application.....	23
5.2 ESD Ratings.....	4	8.3 System Examples.....	26
5.3 ESD Ratings.....	4	8.4 Power Supply Recommendations.....	26
5.4 Recommended Operating Conditions.....	4	8.5 Layout.....	26
5.5 Thermal Characteristics.....	5	9 Device and Documentation Support	28
5.6 Supply Characteristics.....	5	9.1 接收文档更新通知.....	28
5.7 Dissipation Ratings.....	6	9.2 支持资源.....	28
5.8 Electrical Characteristics.....	7	9.3 商标.....	28
5.9 Switching Characteristics.....	8	9.4 静电放电警告.....	28
5.10 Typical Characteristics.....	10	9.5 术语表.....	28
6 Parameter Measurement Information	11	10 Revision History	28
7 Detailed Description	14	11 Mechanical, Packaging, and Orderable Information	29
7.1 Overview.....	14		

4 Pin Configuration and Functions

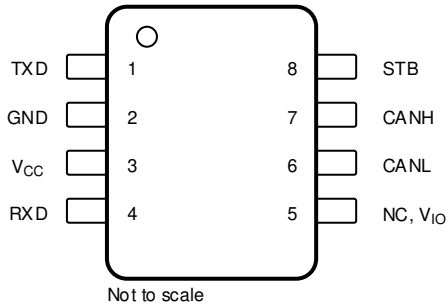


图 4-1. DDF Package, 8-Pin SOT (Top View)

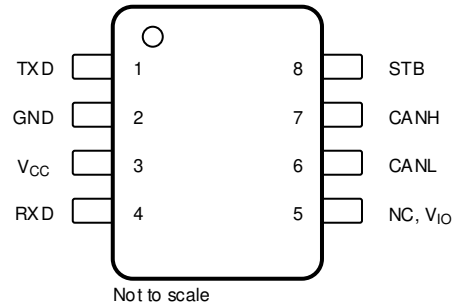


图 4-2. D Package, 8-Pin SOIC (Top View)

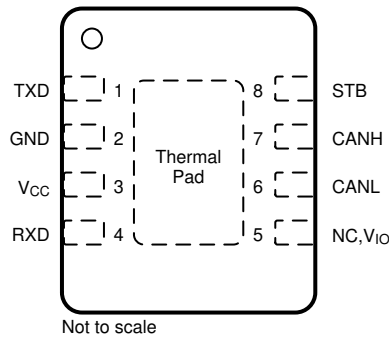


图 4-3. DRB Package, 8-Pin VSON (Top View)

表 4-1. Pin Functions

Pins		Type	Description
Name	No.		
TXD	1	Digital Input	CAN transmit data input
GND	2	GND	Ground connection
V _{CC}	3	Supply	5V supply voltage
RXD	4	Digital Output	CAN receive data output, tri-state when powered off
NC	5	—	No Connect (not internally connected); Devices without V _{IO}
V _{IO}		Supply	I/O supply voltage
CANL	6	Bus IO	Low-level CAN bus input/output line
CANH	7	Bus IO	High-level CAN bus input/output line
STB	8	Digital Input	Standby input for mode control, integrated pull up
Thermal Pad (VSON only)		—	Electrically connected to GND, connect the thermal pad to the printed circuit board (PCB) ground plane for thermal relief

5 Specifications

5.1 Absolute Maximum Ratings

over operating free-air temperature range (unless otherwise noted)^{(1) (2)}

		MIN	MAX	UNIT
V _{CC}	Supply voltage	- 0.3	6	V
V _{IO}	Supply voltage I/O level shifter	- 0.3	6	V
V _{BUS}	CAN Bus IO voltage CANH and CANL	- 58	58	V
V _{DIFF}	Max differential voltage between CANH and CANL	- 45	45	V
V _{Logic_Input}	Logic input terminal voltage	- 0.3	6	V
V _{RXD}	RXD output terminal voltage range	- 0.3	6	V
I _{O(RXD)}	RXD output current	- 8	8	mA
T _J	Operating virtual junction temperature range	- 40	150	°C
T _{STG}	Storage temperature	- 65	150	°C

- (1) Operation outside the *Absolute Maximum Ratings* may cause permanent device damage. *Absolute Maximum Ratings* do not imply functional operation of the device at these or any other conditions beyond those listed under *Recommended Operating Conditions*. If used outside the *Recommended Operating Conditions* but within the *Absolute Maximum Ratings*, the device may not be fully functional, and this may affect device reliability, functionality, performance, and shorten the device lifetime.
- (2) All voltage values, except differential IO bus voltages, are with respect to ground terminal.

5.2 ESD Ratings

			VALUE	UNIT
V _{ESD}	Electrostatic discharge	Human-body model (HBM), per AEC Q100-002 ⁽¹⁾	±3000	V
			HBM classification level 3A for all pins	
			HBM classification level 3B for global pins CANH & CANL	±10000
		Charged-device model (CDM), per AEC Q100-011	±750	V
		CDM classification level C5 for all pins		

- (1) AEC Q100-002 indicates that HBM stressing shall be in accordance with the ANSI/ESDA/JEDEC JS-001 specification.

5.3 ESD Ratings

			VALUE	UNIT	
V _{ESD}	System Level Electro-Static Discharge (ESD) ⁽³⁾	CAN bus terminals (CANH, CANL) to GND	SAE J2962-2 per ISO 10650 Powered Contact Discharge	±8000	V
			SAE J2962-2 per ISO 10650 Powered Air Discharge	±15000	V
V _{Tran}	ISO 7637 ISO Pulse Transients ⁽¹⁾	CAN bus terminals (CANH, CANL)	Pulse 1	- 100	V
			Pulse 2a	75	V
			Pulse 3a	- 150	V
			Pulse 3b	100	V
	ISO 7637 Slow transients pulse ⁽²⁾	CAN bus terminals (CANH, CANL) to GND	DCC slow transient pulse	±85	V

- (1) Tested according to IEC 62228-3:2019 CAN Transceivers, Section 6.3; standard pulses parameters defined in ISO 7637-2 (2011)
- (2) Tested according to ISO 7637-3 (2017); Electrical transient transmission by capacitive and inductive coupling via lines other than supply lines
- (3) Results given here are specific to the SAE J2962-2 Communication Transceivers Qualification Requirements - CAN. Testing performed by OEM approved independent 3rd party, EMC report available upon request.

5.4 Recommended Operating Conditions

		MIN	NOM	MAX	UNIT
V _{CC}	Supply voltage	4.5	5	5.5	V
V _{IO}	Supply voltage for I/O level shifter	1.7		5.5	V
I _{OH(RXD)}	RXD terminal high level output current	- 2			mA
I _{OL(RXD)}	RXD terminal low level output current			2	mA
T _A	Operating ambient temperature	- 40		125	°C

5.5 Thermal Characteristics

THERMAL METRIC ⁽¹⁾		TCAN1044x-Q1			UNIT
		D (SOIC)	DDF (SOT)	DRB (VSON)	
$R_{\theta JA}$	Junction-to-ambient thermal resistance	128.1	119.9	49.9	°C/W
$R_{\theta JC(top)}$	Junction-to-case (top) thermal resistance	68.3	61.8	58.2	°C/W
$R_{\theta JB}$	Junction-to-board thermal resistance	71.6	39.7	23.9	°C/W
Ψ_{JT}	Junction-to-top characterization parameter	19.7	2.1	1.7	°C/W
Ψ_{JB}	Junction-to-board characterization parameter	70.8	39.5	23.8	°C/W
$R_{\theta JC(bot)}$	Junction-to-case (bottom) thermal resistance	-	-	6.4	°C/W

(1) For more information about traditional and new thermal metrics, see the [Semiconductor and IC Package Thermal Metrics](#) application report.

5.6 Supply Characteristics

Over recommended operating conditions with $T_A = -40^\circ\text{C}$ to 125°C (unless otherwise noted)

PARAMETER		TEST CONDITIONS		MIN	TYP	MAX	UNIT
I_{CC}	Supply current Normal mode	Dominant	TXD = 0 V, STB = 0 V, $R_L = 60\ \Omega$, $C_L =$ open See 图 6-1		45	70	mA
			TXD = 0 V, STB = 0 V, $R_L = 50\ \Omega$, $C_L =$ open See 图 6-1		49	80	mA
		Recessive	TXD = V_{CC} , STB = 0 V, $R_L = 50\ \Omega$, $C_L =$ open See 图 6-1		4.5	7.5	mA
		Dominant with bus fault	TXD = 0 V, STB = 0 V, CANH = CANL = ± 25 V, $R_L =$ open, $C_L =$ open See 图 6-1			130	mA
I_{CC}	Supply current Standby mode Devices with V_{IO}		TXD = STB = V_{IO} , $R_L = 50\ \Omega$, $C_L =$ open See 图 6-1		0.2	1	μA
I_{CC}	Supply current Standby mode Devices without V_{IO}		TXD = STB = V_{CC} , $R_L = 50\ \Omega$, $C_L =$ open See 图 6-1			14.5	μA
I_{IO}	I/O supply current Normal mode	Dominant	TXD = 0 V, STB = 0 V RXD floating		125	300	μA
I_{IO}	I/O supply current Normal mode	Recessive	TXD = 0 V, STB = 0 V RXD floating		25	48	μA
I_{IO}	I/O supply current Standby mode		TXD = 0 V, STB = V_{IO} RXD floating		8.5	13.5	μA
UV_{VCC}	Rising under voltage detection on V_{CC} for protected mode				4.2	4.4	V
UV_{VCC}	Falling under voltage detection on V_{CC} for protected mode			3.5	4	4.25	V
UV_{VIO}	Rising under voltage detection on V_{IO} (Devices with V_{IO})				1.56	1.65	V
UV_{VIO}	Falling under voltage detection on V_{IO} (Devices with V_{IO})			1.4	1.51	1.59	V

5.7 Dissipation Ratings

PARAMETER		TEST CONDITIONS	MIN	TYP	MAX	UNIT
P _D	Average power dissipation Normal mode	V _{CC} = 5 V, V _{IO} = 1.8 V, T _J = 27°C, R _L = 60 Ω, TXD input = 250 kHz 50% duty cycle square wave, C _{L_RXD} = 15 pF		110		mW
		V _{CC} = 5 V, V _{IO} = 3.3 V, T _J = 27°C, R _L = 60 Ω, TXD input = 250 kHz 50% duty cycle square wave, C _{L_RXD} = 15 pF		110		mW
		V _{CC} = 5 V, V _{IO} = 5 V, T _J = 27°C, R _L = 60 Ω, TXD input = 250 kHz 50% duty cycle square wave, C _{L_RXD} = 15 pF		110		mW
		V _{CC} = 5.5 V, V _{IO} = 1.8 V, T _A = 125°C, R _L = 60 Ω, TXD input = 2.5 MHz 50% duty cycle square wave, C _{L_RXD} = 15 pF		120		mW
		V _{CC} = 5.5 V, V _{IO} = 3.3 V, T _A = 125°C, R _L = 60 Ω, TXD input = 2.5 MHz 50% duty cycle square wave, C _{L_RXD} = 15 pF		120		mW
		V _{CC} = 5.5 V, V _{IO} = 5 V, T _A = 125°C, R _L = 60 Ω, TXD input = 2.5 MHz 50% duty cycle square wave, C _{L_RXD} = 15 pF		120		mW
T _{TSD}	Thermal shutdown temperature			192		°C
T _{TSD_HYS}	Thermal shutdown hysteresis			10		

5.8 Electrical Characteristics

Over recommended operating conditions with $T_A = -40^\circ\text{C}$ to 125°C (unless otherwise noted)

PARAMETER		TEST CONDITIONS		MIN	TYP	MAX	UNIT
Driver Electrical Characteristics							
$V_{O(DOM)}$	Dominant output voltage Normal mode	CANH	TXD = 0 V, STB = 0 V, $50\ \Omega \leq R_L \leq 65\ \Omega$, $C_L = \text{open}$, $R_{CM} = \text{open}$ See 图 6-2 and 图 7-3 ,	2.75		4.5	V
		CANL		0.5		2.25	V
$V_{O(REC)}$	Recessive output voltage Normal mode	CANH and CANL	TXD = V_{IO} , STB = 0 V, $R_L = \text{open}$ (no load), $R_{CM} = \text{open}$ See 图 6-2 and 图 7-3	2	0.5 V_{CC}	3	V
V_{SYM}	Driver symmetry ($V_{O(CANH)} + V_{O(CANL)}$)/ V_{CC}		STB = 0 V, $R_L = 60\ \Omega$, $C_{SPLIT} = 4.7\ \text{nF}$, $C_L = \text{open}$, $R_{CM} = \text{open}$, TXD = 250 kHz, 1 MHz, 2.5 MHz See 图 6-2 and 图 8-2	0.9		1.1	V/V
V_{SYM_DC}	DC output symmetry ($V_{CC} - V_{O(CANH)} - V_{O(CANL)}$)		STB = 0 V, $R_L = 60\ \Omega$, $C_L = \text{open}$ See 图 6-2 and 图 7-3	-400		400	mV
$V_{OD(DOM)}$	Differential output voltage Normal mode Dominant	CANH - CANL	TXD = 0 V, STB = 0 V, $50\ \Omega \leq R_L \leq 65\ \Omega$, $C_L = \text{open}$ See 图 6-2 and 图 7-3	1.5		3	V
			TXD = 0 V, STB = 0 V, $45\ \Omega \leq R_L \leq 70\ \Omega$, $C_L = \text{open}$ See 图 6-2 and 图 7-3	1.4		3.3	V
			TXD = 0 V, STB = 0 V, $R_L = 2240\ \Omega$, $C_L = \text{open}$ See 图 6-2 and 图 7-3	1.5		5	V
$V_{OD(REC)}$	Differential output voltage Normal mode Recessive	CANH - CANL	TXD = V_{IO} , STB = 0 V, $R_L = 60\ \Omega$, $C_L = \text{open}$ See 图 6-2 and 图 7-3	-120		12	mV
			TXD = V_{IO} , STB = 0 V, $R_L = \text{open}$, $C_L = \text{open}$ See 图 6-2 and 图 7-3	-50		50	mV
$V_{O(STB)}$	Bus output voltage Standby mode	CANH	STB = V_{IO} , $R_L = \text{open}$ (no load) See 图 6-2 and 图 7-3	-0.1		0.1	V
		CANL		-0.1		0.1	V
		CANH - CANL		-0.2		0.2	V
$I_{OS(SS_DOM)}$	Short-circuit steady-state output current, dominant Normal mode		STB = 0 V, $V_{(CANH)} = -15\ \text{V}$ to 40 V, CANL = open, TXD = 0 V See 图 6-7 and 图 7-3	-115			mA
			STB = 0 V, $V_{(CANL)} = -15\ \text{V}$ to 40 V, CANH = open, TXD = 0 V See 图 6-7 and 图 7-3			115	mA
$I_{OS(SS_REC)}$	Short-circuit steady-state output current, recessive Normal mode		STB = 0 V, $-27\ \text{V} \leq V_{BUS} \leq 32\ \text{V}$, where $V_{BUS} = \text{CANH} = \text{CANL}$, TXD = V_{IO} See 图 6-7 and 图 7-3	-5		5	mA
Receiver Electrical Characteristics							
V_{IT}	Input threshold voltage Normal mode		STB = 0 V, $-12\ \text{V} \leq V_{CM} \leq 12\ \text{V}$ See 图 6-3 , 表 6-1 , and 表 7-6	500		900	mV
$V_{IT(STB)}$	Input threshold Standby mode		STB = V_{IO} , $-12\ \text{V} \leq V_{CM} \leq 12\ \text{V}$ See 图 6-3 , 表 6-1 , and 表 7-6	400		1150	mV
V_{DOM}	Dominant state differential input voltage range Normal mode		STB = 0 V, $-12\ \text{V} \leq V_{CM} \leq 12\ \text{V}$ See 图 6-3 , 表 6-1 , and 表 7-6	0.9		9	V
V_{REC}	Recessive state differential input voltage range Normal mode		STB = 0 V, $-12\ \text{V} \leq V_{CM} \leq 12\ \text{V}$ See 图 6-3 , 表 6-1 , and 表 7-6	-4		0.5	V
$V_{DOM(STB)}$	Dominant state differential input voltage range Standby mode		STB = V_{IO} , $-12\ \text{V} \leq V_{CM} \leq 12\ \text{V}$ See 图 6-3 , 表 6-1 , and 表 7-6	1.15		9	V
$V_{REC(STB)}$	Recessive state differential input voltage range Standby mode		STB = V_{IO} , $-12\ \text{V} \leq V_{CM} \leq 12\ \text{V}$ See 图 6-3 , 表 6-1 , and 表 7-6	-4		0.4	V
V_{HYS}	Hysteresis voltage for input threshold Normal mode		STB = 0 V, $-12\ \text{V} \leq V_{CM} \leq 12\ \text{V}$ See 图 6-3 , 表 6-1 , and 表 7-6		100		mV

5.8 Electrical Characteristics (续)

 Over recommended operating conditions with $T_A = -40^\circ\text{C}$ to 125°C (unless otherwise noted)

PARAMETER		TEST CONDITIONS	MIN	TYP	MAX	UNIT
V_{CM}	Common mode range Normal and standby modes	See 图 6-3 和 表 7-6 表 7-6	-12		12	V
$I_{LKG(OFF)}$	Unpowered bus input leakage current	CANH = CANL = 5 V, $V_{CC} = V_{IO} = \text{GND}$			5	μA
C_I	Input capacitance to ground (CANH or CANL)	TXD = V_{IO} (1)			20	pF
C_{ID}	Differential input capacitance				10	pF
R_{ID}	Differential input resistance	TXD = V_{IO} (1), STB = 0 V, $-12\text{ V} \leq V_{CM} \leq 12\text{ V}$	40		90	$\text{k}\Omega$
R_{IN}	Single ended input resistance (CANH or CANL)		20		45	$\text{k}\Omega$
$R_{IN(M)}$	Input resistance matching $[1 - (R_{IN(CANH)} / R_{IN(CANL)})] \times 100\%$	$V_{(CAN_H)} = V_{(CAN_L)} = 5\text{ V}$	-1%		1%	
TXD Terminal (CAN Transmit Data Input)						
V_{IH}	High-level input voltage	Devices without V_{IO}	0.7 V_{CC}			V
V_{IH}	High-level input voltage	Devices with V_{IO}	0.7 V_{IO}			V
V_{IL}	Low-level input voltage	Devices without V_{IO}			0.3 V_{CC}	V
V_{IL}	Low-level input voltage	Devices with V_{IO}			0.3 V_{IO}	V
I_{IH}	High-level input leakage current	TXD = $V_{CC} = V_{IO} = 5.5\text{ V}$	-2.5	0	1	μA
I_{IL}	Low-level input leakage current	TXD = 0 V, $V_{CC} = V_{IO} = 5.5\text{ V}$	-200	-100	-20	μA
$I_{LKG(OFF)}$	Unpowered leakage current	TXD = 5.5 V, $V_{CC} = V_{IO} = 0\text{ V}$	-1	0	1	μA
C_I	Input Capacitance	$V_{IN} = 0.4 \times \sin(2\pi \times 2 \times 10^6 \times t) + 2.5\text{ V}$		5		pF
RXD Terminal (CAN Receive Data Output)						
V_{OH}	High-level output voltage	$I_O = -2\text{ mA}$, Devices without V_{IO} See 图 6-3	0.8 V_{CC}			V
V_{OH}	High-level output voltage	$I_O = -2\text{ mA}$, Devices with V_{IO} See 图 6-3	0.8 V_{IO}			V
V_{OL}	Low-level output voltage	$I_O = 2\text{ mA}$, Devices without V_{IO} See 图 6-3			0.2 V_{CC}	V
V_{OL}	Low-level output voltage	$I_O = -2\text{ mA}$, Devices with V_{IO} See 图 6-3			0.2 V_{IO}	V
$I_{LKG(OFF)}$	Unpowered leakage current	RXD = 5.5 V, $V_{CC} = V_{IO} = 0\text{ V}$	-1	0	1	μA
STB Terminal (Standby Mode Input)						
V_{IH}	High-level input voltage	Devices without V_{IO}	0.7 V_{CC}			V
V_{IH}	High-level input voltage	Devices with V_{IO}	0.7 V_{IO}			V
V_{IL}	Low-level input voltage	Devices without V_{IO}			0.3 V_{CC}	V
V_{IL}	Low-level input voltage	Devices with V_{IO}			0.3 V_{IO}	V
$I_{LKG(OFF)}$	Unpowered leakage current	STB = 5.5V, $V_{CC} = V_{IO} = 0\text{ V}$	-1	0	1	μA

 (1) $V_{IO} = V_{CC}$ in non-V variants of device

5.9 Switching Characteristics

 Over recommended operating conditions with $T_A = -40^\circ\text{C}$ to 125°C (unless otherwise noted)

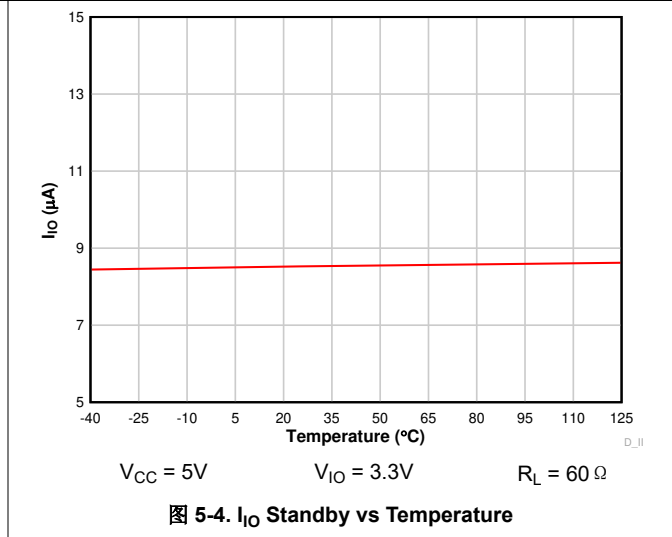
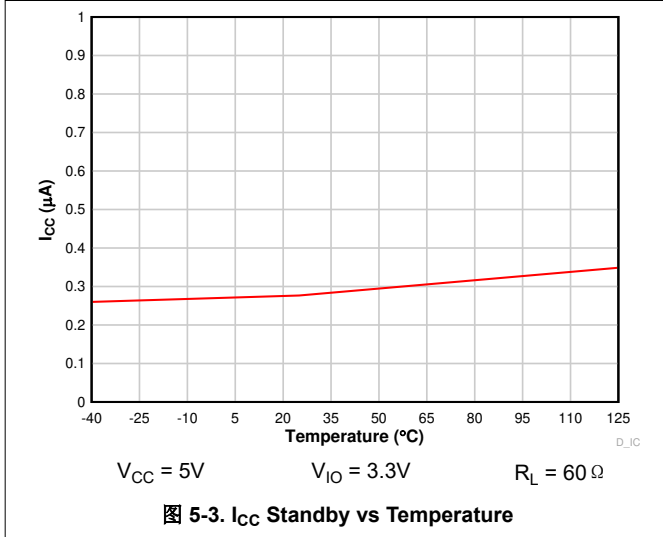
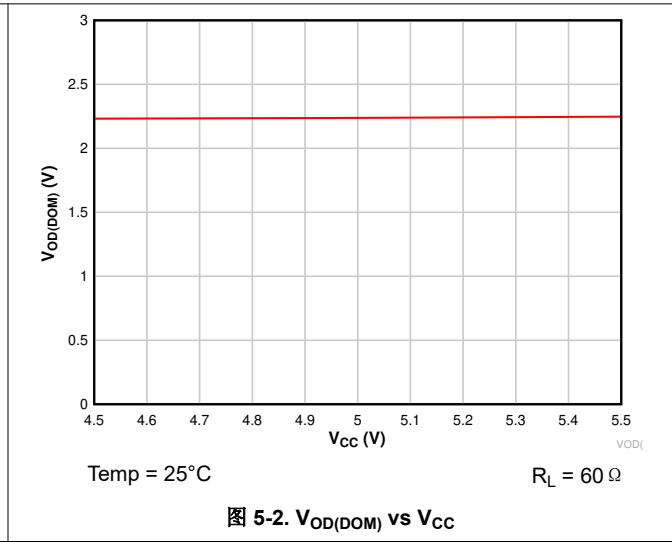
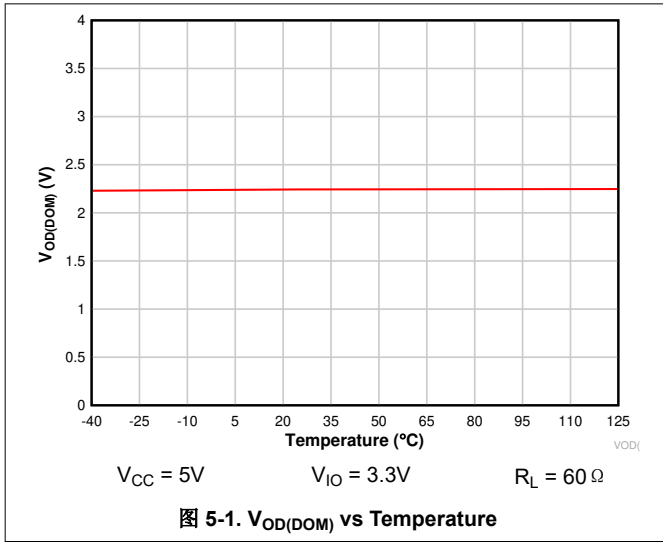
PARAMETER		TEST CONDITIONS	MIN	TYP	MAX	UNIT
Device Switching Characteristics						
$t_{PROP(LOOP1)}$	Total loop delay, driver input (TXD) to receiver output (RXD), recessive to dominant	Normal mode, $R_L = 60\ \Omega$, $C_L = 100\ \text{pF}$, $C_{L(RXD)} = 15\ \text{pF}$ $V_{IO} = 2.8\text{ V}$ to 5.5 V See 图 6-4		125	210	ns
$t_{PROP(LOOP1)}$	Total loop delay, driver input (TXD) to receiver output (RXD), recessive to dominant	Normal mode, $R_L = 60\ \Omega$, $C_L = 100\ \text{pF}$, $C_{L(RXD)} = 15\ \text{pF}$ $V_{IO} = 1.7\text{ V}$ See 图 6-4		165	255	ns

5.9 Switching Characteristics (续)

Over recommended operating conditions with $T_A = -40^\circ\text{C}$ to 125°C (unless otherwise noted)

PARAMETER		TEST CONDITIONS	MIN	TYP	MAX	UNIT
$t_{\text{PROP(LOOP2)}}$	Total loop delay, driver input (TXD) to receiver output (RXD), dominant to recessive	Normal mode, $R_L = 60\ \Omega$, $C_L = 100\ \text{pF}$, $C_{L(\text{RXD})} = 15\ \text{pF}$ $V_{\text{IO}} = 2.8\ \text{V}$ to $5.5\ \text{V}$ See 图 6-4		150	210	ns
$t_{\text{PROP(LOOP2)}}$	Total loop delay, driver input (TXD) to receiver output (RXD), dominant to recessive	Normal mode, $R_L = 60\ \Omega$, $C_L = 100\ \text{pF}$, $C_{L(\text{RXD})} = 15\ \text{pF}$ $V_{\text{IO}} = 1.7\ \text{V}$ See 图 6-4		180	255	ns
t_{MODE}	Mode change time, from normal to standby or from standby to normal	See 图 6-5			20	μs
$t_{\text{WK_FILTER}}$	Filter time for a valid wake-up pattern	See 图 7-5	0.5		1.8	μs
$t_{\text{WK_TIMEOUT}}$	Bus wake-up timeout	See 图 7-5	0.8		6	ms
Driver Switching Characteristics						
t_{pHR}	Propagation delay time, high TXD to driver recessive (dominant to recessive)	STB = 0 V, $R_L = 60\ \Omega$, $C_L = 100\ \text{pF}$ See 图 6-2 and 图 6-6		80		ns
t_{pLD}	Propagation delay time, low TXD to driver dominant (recessive to dominant)			70		ns
$t_{\text{sk(p)}}$	Pulse skew ($ t_{\text{pHR}} - t_{\text{pLD}} $)			20		ns
t_{R}	Differential output signal rise time			30		ns
t_{F}	Differential output signal fall time			50		ns
$t_{\text{TXD_DTO}}$	Dominant timeout			1.2		4.0
Receiver Switching Characteristics						
t_{pRH}	Propagation delay time, bus recessive input to high output (dominant to recessive)	STB = 0 V, $C_{L(\text{RXD})} = 15\ \text{pF}$ See 图 6-3		90		ns
t_{pDL}	Propagation delay time, bus dominant input to low output (recessive to dominant)			65		ns
t_{R}	RXD output signal rise time			10		ns
t_{F}	RXD output signal fall time			10		ns
FD Timing Characteristics						
$t_{\text{BIT(BUS)}}$	Bit time on CAN bus output pins $t_{\text{BIT(TXD)}} = 500\ \text{ns}$	STB = 0 V, $R_L = 60\ \Omega$, $C_L = 100\ \text{pF}$, $C_{L(\text{RXD})} = 15\ \text{pF}$ $\Delta t_{\text{REC}} = t_{\text{BIT(RXD)}} - t_{\text{BIT(BUS)}}$ See 图 6-4	450		530	ns
$t_{\text{BIT(BUS)}}$	Bit time on CAN bus output pins $t_{\text{BIT(TXD)}} = 200\ \text{ns}$		155		210	ns
$t_{\text{BIT(RXD)}}$	Bit time on RXD output pins $t_{\text{BIT(TXD)}} = 500\ \text{ns}$		400		550	ns
$t_{\text{BIT(RXD)}}$	Bit time on RXD output pins $t_{\text{BIT(TXD)}} = 200\ \text{ns}$		120		220	ns
t_{REC}	Receiver timing symmetry $t_{\text{BIT(TXD)}} = 500\ \text{ns}$		-50		20	ns
t_{REC}	Receiver timing symmetry $t_{\text{BIT(TXD)}} = 200\ \text{ns}$		-45		15	ns

5.10 Typical Characteristics



6 Parameter Measurement Information

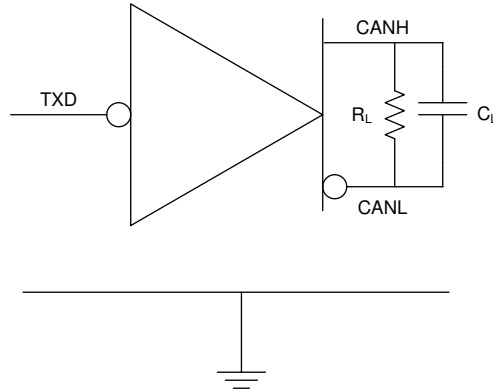


图 6-1. I_{CC} Test Circuit

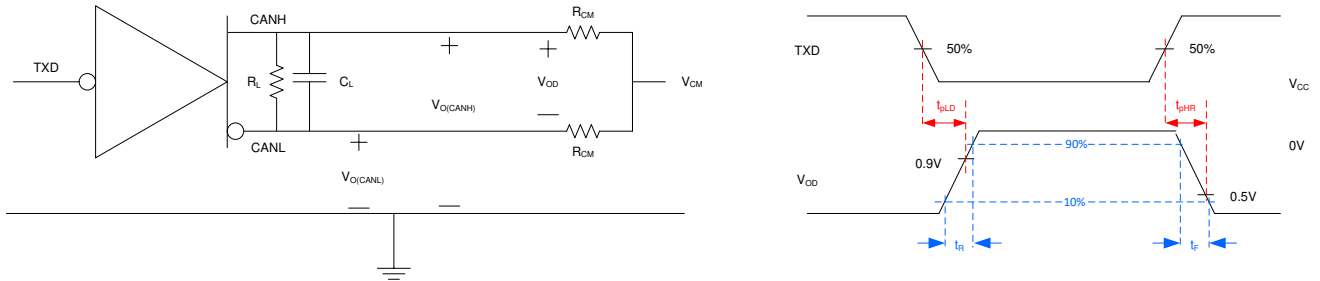


图 6-2. Driver Test Circuit and Measurement

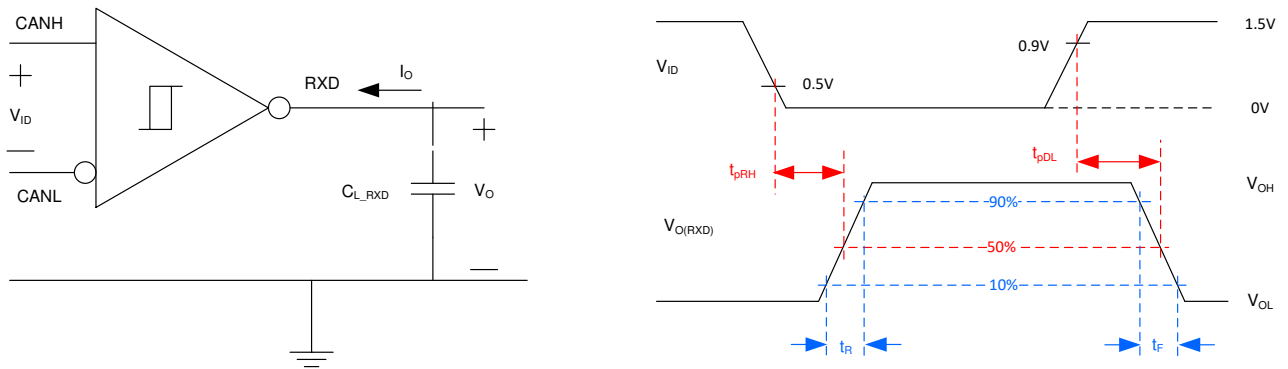


图 6-3. Receiver Test Circuit and Measurement

表 6-1. Receiver Differential Input Voltage Threshold Test

Input (See 图 6-3)			Output	
V_{CANH}	V_{CANL}	$ V_{ID} $	RXD	
-11.5V	-12.5V	1000mV	Low	V_{OL}
12.5V	11.5V	1000mV		
-8.55V	-9.45V	900mV		
9.45 V	8.55V	900mV		
-8.75V	-9.25V	500mV	High	V_{OH}
9.25V	8.75V	500mV		
-11.8 V	-12.2V	400mV		
12.2V	11.8V	400mV		
Open	Open	X		

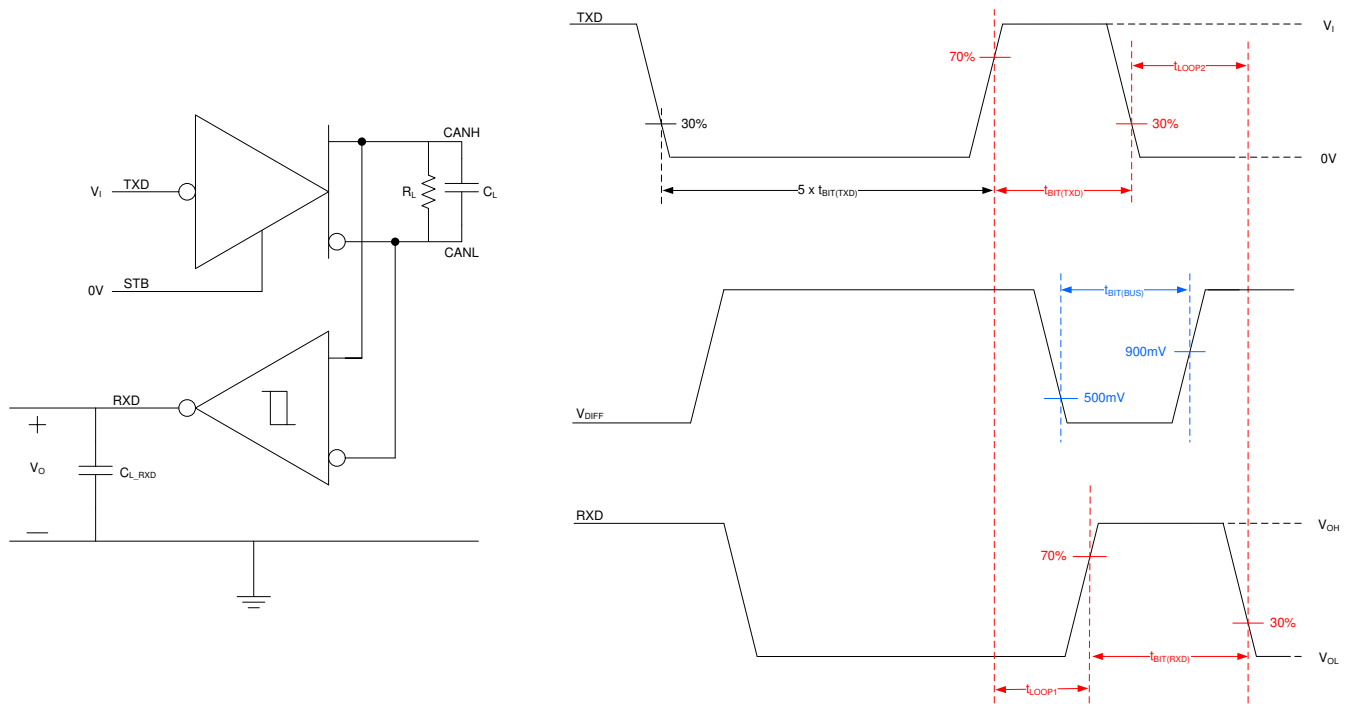


图 6-4. Transmitter and Receiver Timing Test Circuit and Measurement

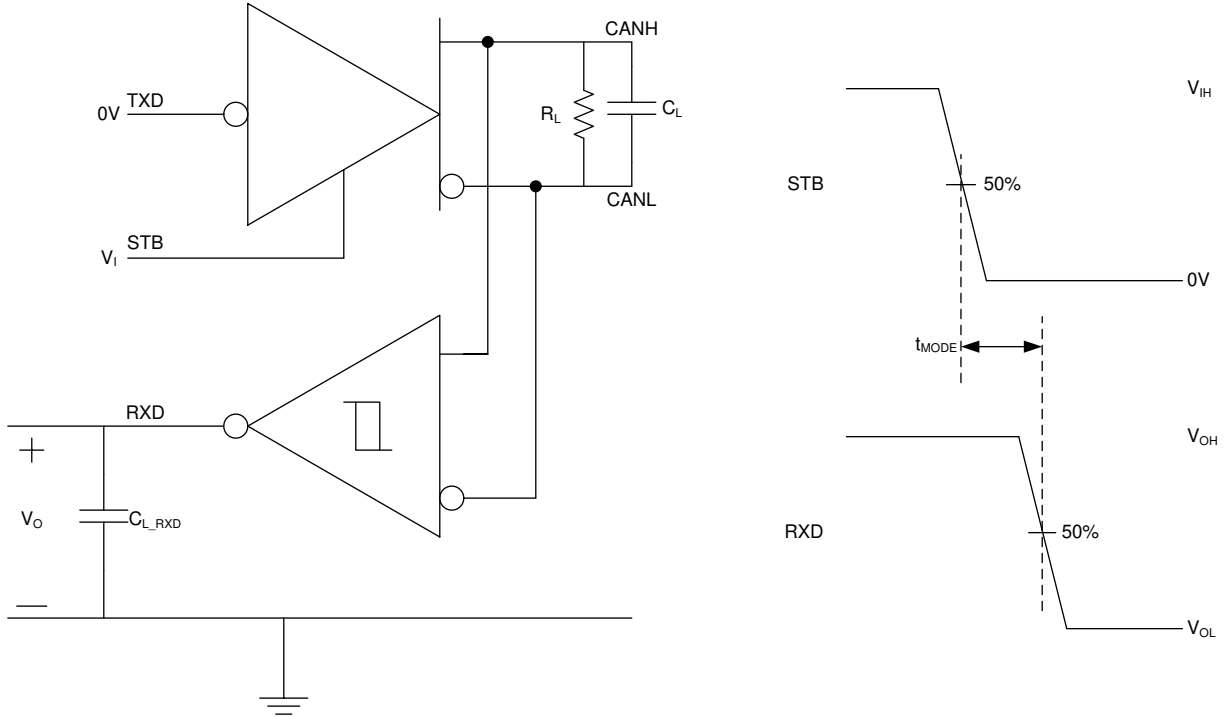


图 6-5. t_{MODE} Test Circuit and Measurement

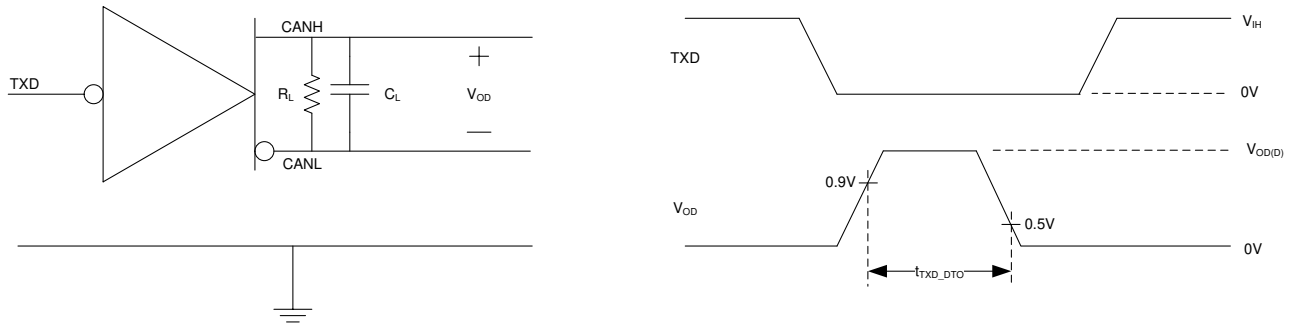


图 6-6. TXD Dominant Timeout Test Circuit and Measurement

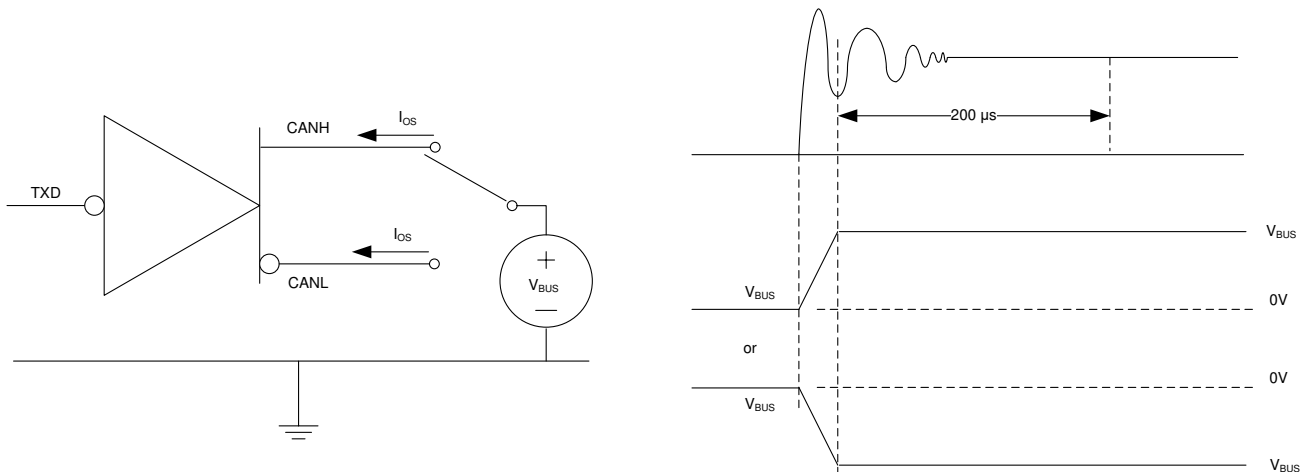


图 6-7. Driver Short-Circuit Current Test and Measurement

7 Detailed Description

7.1 Overview

The TCAN1044-Q1 meets or exceeds the specifications of the ISO 11898-2:2016 high speed CAN (Controller Area Network) physical layer standard. The device has been certified to the requirements of ISO 11898-2:2016 and ISO 11898-5:2007 physical layer requirements according to the GIFT/ICT high speed CAN test specification. The transceiver provides a number of different protection features making it ideal for the stringent automotive system requirements while also supporting CAN FD data rates up to 8Mbps.

The TCAN1044-Q1 conforms to the following CAN standards:

- CAN transceiver physical layer standards:
 - ISO 11898-2:2016 High speed medium access unit
 - ISO 11898-5:2007 High speed medium access unit with low-power mode
 - SAE J2284-1: High Speed CAN (HSC) for Vehicle Applications at 125kbps
 - SAE J2284-2: High Speed CAN (HSC) for Vehicle Applications at 250kbps
 - SAE J2284-3: High Speed CAN (HSC) for Vehicle Applications at 500kbps
 - SAE J2284-4: High-Speed CAN (HSC) for Vehicle Applications at 500kbps with CAN FD Data at 2Mbps
 - SAE J2284-5: High-Speed CAN (HSC) for Vehicle Applications at 500kbps with CAN FD Data at 5Mbps
 - ARINC 825-4 General Standardization of CAN (Controller Area Network) Bus Protocol For Airborne Use
- EMC requirements:
 - VeLIO (Vehicle LAN Interoperability and Optimization) CAN and CAN-FD Transceiver Requirements
 - SAE J2962-2 Communication Transceivers Qualification Requirements - CAN
- Conformance test requirements:
 - ISO 16845-2 Road vehicles - Controller area network (CAN) conformance test plan Part 2: High-speed medium access unit conformance test plan

7.2 Functional Block Diagram

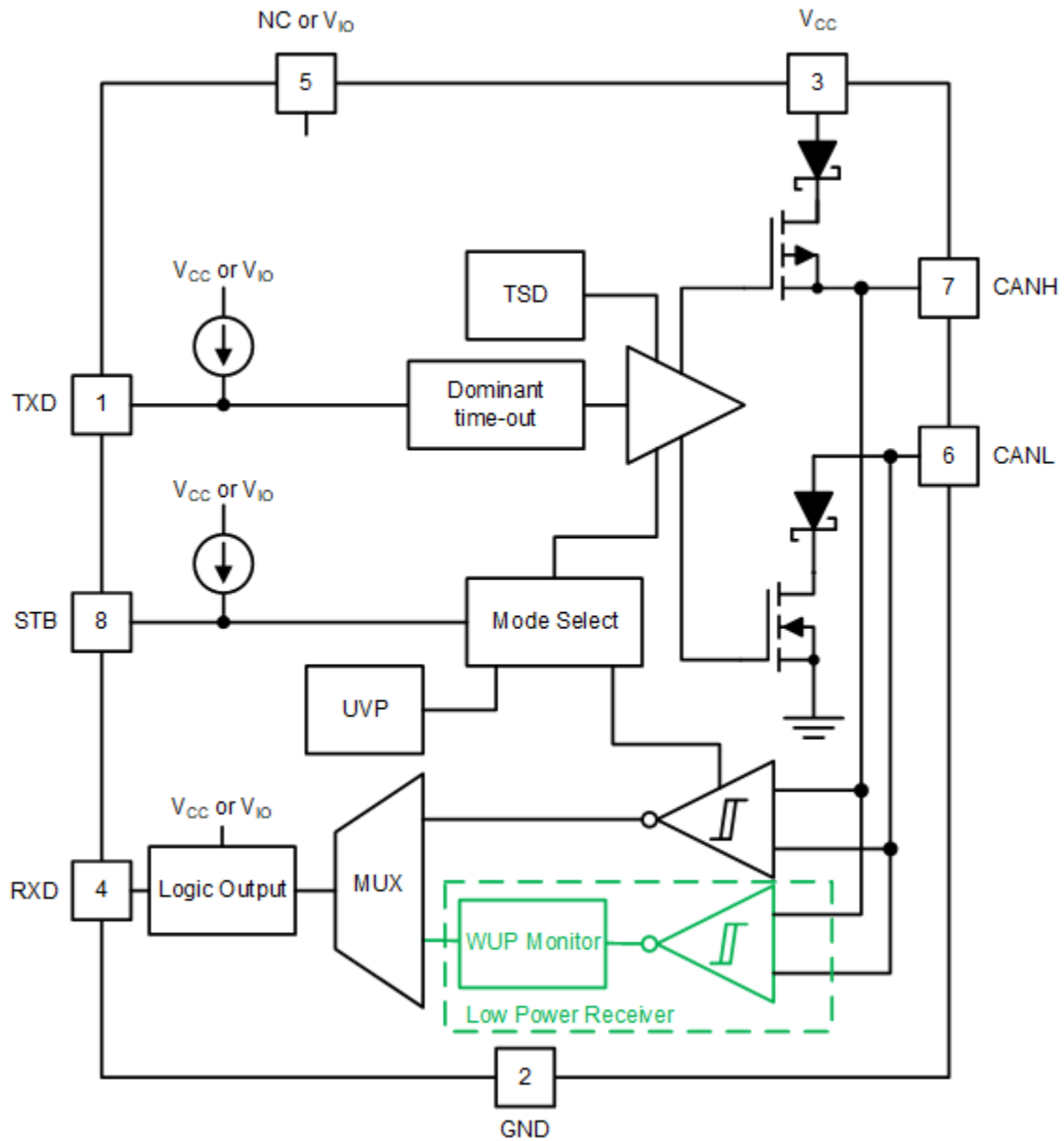


图 7-1. Block Diagram

7.3 Feature Description

7.3.1 Pin Description

7.3.1.1 TXD

The TXD input is a logic-level signal, referenced to either V_{CC} or V_{IO} from a CAN controller to the TCAN1044-Q1 transceivers.

7.3.1.2 GND

GND is the ground pin of the transceiver, it must be connected to the PCB ground.

7.3.1.3 V_{CC}

V_{CC} provides the 5V power supply to the CAN transceiver.

7.3.1.4 RXD

The RXD output is a logic-level signal, referenced to either V_{CC} or V_{IO} , from the TCAN1044-Q1 transceivers to the CAN controller. RXD is only driven once V_{IO} is present.

When a wake event takes place RXD is driven low.

7.3.1.5 V_{IO}

The V_{IO} pin provides the digital I/O voltage to match the CAN controller voltage thus avoiding the requirement for a level shifter. It supports voltages from 1.7V to 5.5V providing the widest range of controller support.

7.3.1.6 CANH and CANL

These are the CAN high and CAN low differential bus pins. These pins are connected to the CAN transceiver and the low-voltage WUP CAN receiver.

7.3.1.7 STB (Standby)

The STB pin is an input pin used for mode control of the transceiver. The STB pin can be supplied from either the system processor or from a static system voltage source. If normal mode is the only intended mode of operation, then the STB pin can be tied directly to GND.

7.3.2 CAN Bus States

The CAN bus has two logical states during operation: recessive and dominant. See [图 7-2](#) and [图 7-3](#).

A dominant bus state occurs when the bus is driven differentially and corresponds to a logic low on the TXD and RXD pins. A recessive bus state occurs when the bus is biased to $V_{CC}/2$ via the high-resistance internal input resistors (R_{IN}) of the receiver and corresponds to a logic high on the TXD and RXD pins.

A dominant state overwrites the recessive state during arbitration. Multiple CAN nodes may be transmitting a dominant bit at the same time during arbitration, and in this case the differential voltage of the bus is greater than the differential voltage of a single driver.

The TCAN1044-Q1 transceiver implements a low-power standby (STB) mode which enables a third bus state where the bus pins are weakly biased to ground via the high resistance internal resistors of the receiver. See [图 7-2](#) and [图 7-3](#).

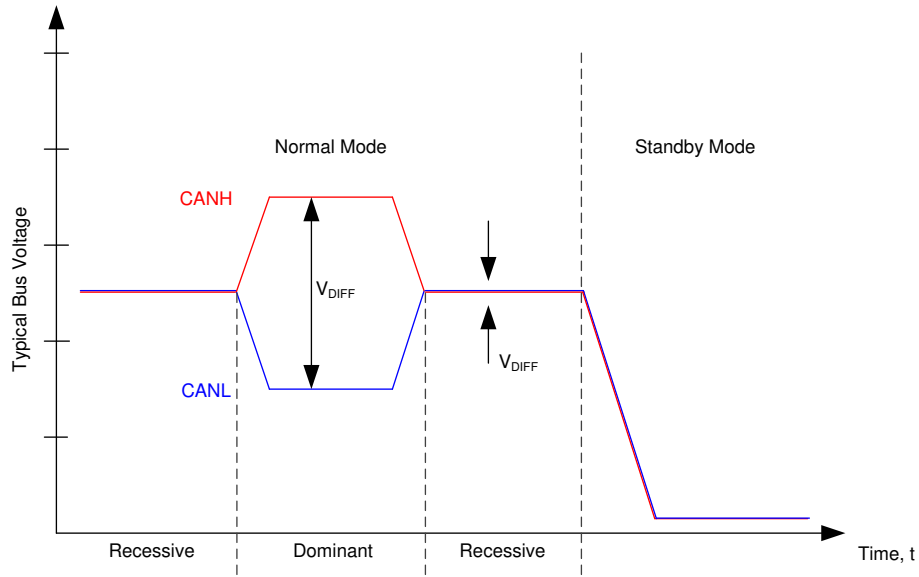
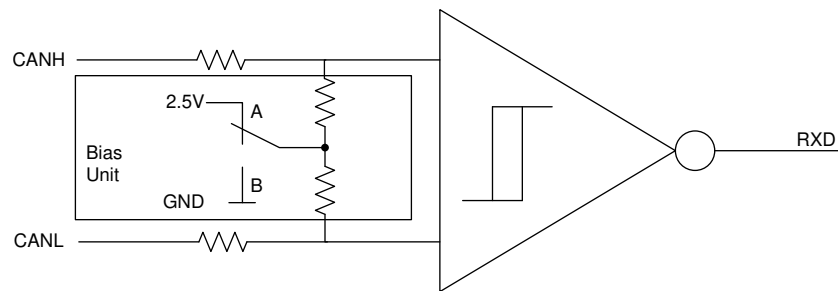


图 7-2. Bus States



- A. Normal Mode
- B. Standby Mode

图 7-3. Simplified Recessive Common Mode Bias Unit and Receiver

7.3.3 TXD Dominant Timeout (DTO)

During normal mode, the only mode where the CAN driver is active, the TXD DTO circuit prevents the local node from blocking network communication in the event of a hardware or software failure where TXD is held dominant longer than the timeout period t_{TXD_DTO} . The TXD DTO circuit is triggered by a falling edge on TXD. If no rising edge is seen before the timeout period of the circuit, t_{TXD_DTO} , the CAN driver is disabled. This frees the bus for communication between other nodes on the network. The CAN driver is reactivated when a recessive signal is seen on the TXD pin, thus clearing the dominant timeout. The receiver remains active and biased to $V_{CC}/2$ and the RXD output reflects the activity on the CAN bus during the TXD DTO fault.

The minimum dominant TXD time allowed by the TXD DTO circuit limits the minimum possible transmitted data rate of the device. The CAN protocol allows a maximum of eleven successive dominant bits (on TXD) for the worst case, where five successive dominant bits are followed immediately by an error frame. The minimum transmitted data rate may be calculated using 方程式 1.

$$\text{Minimum Data Rate} = 11 \text{ bits} / t_{TXD_DTO} = 11 \text{ bits} / 1.2 \text{ ms} = 9.2 \text{ kbps} \quad (1)$$

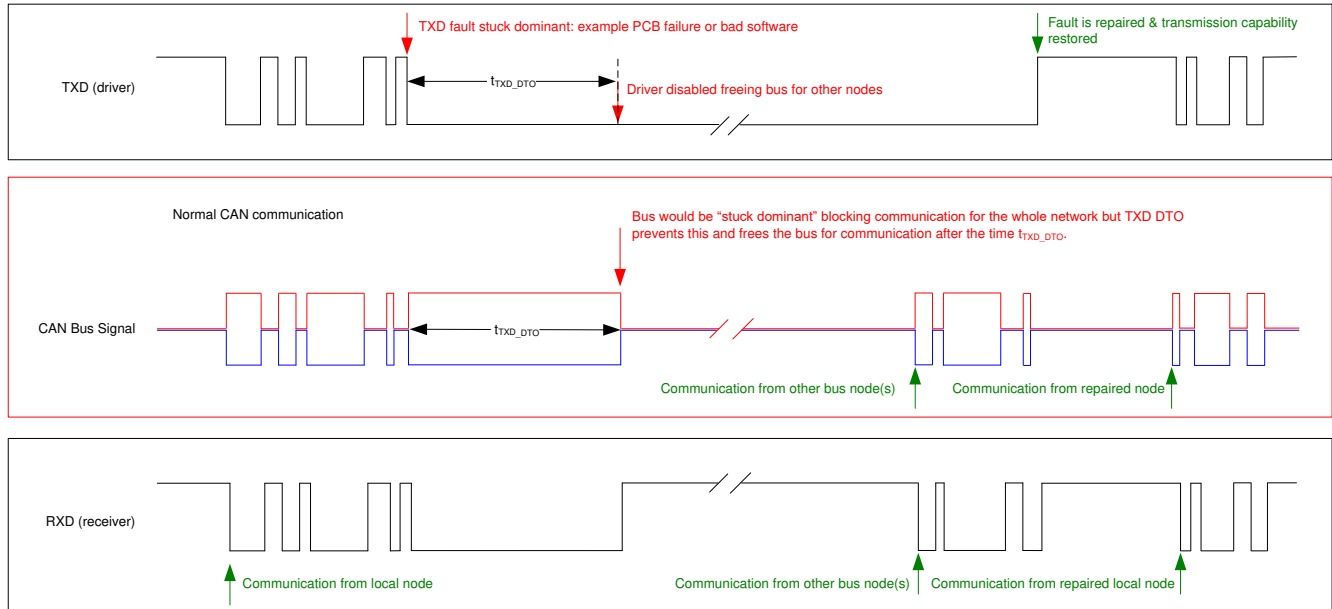


图 7-4. Example Timing Diagram for TXD Dominant Timeout

7.3.4 CAN Bus Short Circuit Current Limiting

The TCAN1044-Q1 has several protection features that limit the short circuit current when a CAN bus line is shorted. These include CAN driver current limiting in the dominant and recessive states and TXD dominant state timeout which prevents permanently having the higher short circuit current of a dominant state in case of a system fault. During CAN communication the bus switches between the dominant and recessive states, thus the short circuit current may be viewed as either the current during each bus state or as a DC average current. When selecting termination resistors or a common mode choke for the CAN design the average power rating, $I_{\text{OS(AVG)}}$, should be used. The percentage dominant is limited by the TXD DTO and the CAN protocol which has forced state changes and recessive bits due to bit stuffing, control fields, and interframe space. These ensure there is a minimum amount of recessive time on the bus even if the data field contains a high percentage of dominant bits.

The average short circuit current of the bus depends on the ratio of recessive to dominant bits and their respective short circuit currents. The average short circuit current may be calculated using 方程式 2.

$$I_{\text{OS(AVG)}} = \% \text{ Transmit} \times [(\% \text{ REC_Bits} \times I_{\text{OS(SS)_REC}}) + (\% \text{ DOM_Bits} \times I_{\text{OS(SS)_DOM}})] + [\% \text{ Receive} \times I_{\text{OS(SS)_REC}}] \quad (2)$$

Where:

- $I_{\text{OS(AVG)}}$ is the average short circuit current
- % Transmit is the percentage the node is transmitting CAN messages
- % Receive is the percentage the node is receiving CAN messages
- % REC_Bits is the percentage of recessive bits in the transmitted CAN messages
- % DOM_Bits is the percentage of dominant bits in the transmitted CAN messages
- $I_{\text{OS(SS)_REC}}$ is the recessive steady state short circuit current
- $I_{\text{OS(SS)_DOM}}$ is the dominant steady state short circuit current

This short circuit current and the possible fault cases of the network should be taken into consideration when sizing the power supply used to generate the transceivers V_{CC} supply.

7.3.5 Thermal Shutdown (TSD)

If the junction temperature of the TCAN1044-Q1 exceeds the thermal shutdown threshold, T_{TSD} , the device turns off the CAN driver circuitry and blocks the TXD to bus transmission path. The shutdown condition is cleared when the junction temperature of the device drops below T_{TSD} . The CAN bus pins are biased to $V_{CC}/2$ during a TSD fault and the receiver to RXD path remains operational. The TCAN1044-Q1 TSD circuit includes hysteresis which prevents the CAN driver output from oscillating during a TSD fault.

7.3.6 Undervoltage Lockout

The supply pins, V_{CC} and V_{IO} , have undervoltage detection that places the device into a protected state. This protects the bus during an undervoltage event on either supply pin.

表 7-1. Undervoltage Lockout - TCAN1044-Q1

V_{CC}	DEVICE STATE	BUS	RXD PIN
$> UV_{VCC}$	Normal	Per TXD	Mirrors bus
$< UV_{VCC}$	Protected	High impedance Weak pull-down to ground ⁽¹⁾	High impedance

(1) $V_{CC} = GND$, see $I_{LKG(OFF)}$

表 7-2. Undervoltage Lockout - TCAN1044V-Q1

V_{CC}	V_{IO}	DEVICE STATE	BUS	RXD PIN
$> UV_{VCC}$	$> UV_{VIO}$	Normal	Per TXD	Mirrors bus
$< UV_{VCC}$	$> UV_{VIO}$	STB = V_{IO} : standby mode	High impedance Weak pull-down to ground ⁽¹⁾	V_{IO} : Remote wake request ⁽²⁾
		STB = GND: Protected		Recessive
$> UV_{VCC}$	$< UV_{VIO}$	Protected		High impedance
$< UV_{VCC}$	$< UV_{VIO}$	Protected		High impedance

(1) $V_{CC} = GND$, see $I_{LKG(OFF)}$

(2) See 节 7.4.3.1

Once the undervoltage condition is cleared and t_{MODE} has expired the TCAN1044-Q1 transitions to normal mode and the host controller can send and receive CAN traffic again.

7.3.7 Unpowered Device

The TCAN1044-Q1 is designed to be an ideal passive or no load to the CAN bus if the device is unpowered. The bus pins were designed to have low leakage currents when the device is unpowered, so they do not load the bus. This is critical if some nodes of the network are unpowered while the rest of the of network remains operational.

The logic pins also have low leakage currents when the device is unpowered, so they do not load other circuits which may remain powered.

7.3.8 Floating pins

The TCAN1044-Q1 has internal pull-ups on critical pins which place the device into known states if the pin floats. This internal bias should not be relied upon by design though, especially in noisy environments, but instead should be considered a failsafe protection feature.

When a CAN controller supporting open-drain outputs is used an adequate external pull-up resistor must be chosen. This makes sure the TXD output of the CAN controller maintains acceptable bit time to the input of the CAN transceiver. See 表 7-3 for details on pin bias conditions.

表 7-3. Pin Bias

Pin	Pull-up or Pull-down	Comment
TXD	Pull-up	Weakly biases TXD towards recessive to prevent bus blockage or TXD DTO triggering

表 7-3. Pin Bias (续)

Pin	Pull-up or Pull-down	Comment
STB	Pull-up	Weakly biases STB towards low-power standby mode to prevent excessive system power

7.4 Device Functional Modes

7.4.1 Operating Modes

The TCAN1044-Q1 has two main operating modes: normal mode and standby mode. Operating mode selection is made by applying a high or low level to the STB pin on the TCAN1044-Q1.

表 7-4. Operating Modes

STB	Device Mode	Driver	Receiver	RXD Pin
High	Low current standby mode with bus wake-up	Disabled	Low-power receiver and bus monitor enable	High (recessive) until valid WUP is received See 节 7.4.3.1
Low	Normal Mode	Enabled	Enabled	Mirrors bus state

7.4.2 Normal Mode

This is the normal operating mode of the TCAN1044-Q1. The CAN driver and receiver are fully operational and CAN communication is bi-directional. The driver is translating a digital input on the TXD input to a differential output on the CANH and CANL bus pins. The receiver is translating the differential signal from CANH and CANL to a digital output on the RXD output.

7.4.3 Standby Mode

This is the low-power mode of the TCAN1044-Q1. The CAN driver and main receiver are switched off and bi-directional CAN communication is not possible. The low-power receiver and bus monitor circuits are enabled to allow for RXD wake-up requests via the CAN bus. A wake-up request is output to RXD as shown in 图 7-5. The local CAN protocol controller should monitor RXD for transitions (high-to-low) and reactivate the device to normal mode by pulling the STB pin low. The CAN bus pins are weakly pulled to GND in this mode; see 图 7-2 and 图 7-3.

In standby mode, only the V_{IO} supply is required therefore the V_{CC} may be switched off for additional system level current savings.

7.4.3.1 Remote Wake Request via Wake-Up Pattern (WUP) in Standby Mode

The TCAN1044-Q1 supports a remote wake-up request that is used to indicate to the host controller that the bus is active and the node should return to normal operation.

The device uses the multiple filtered dominant wake-up pattern (WUP) from the ISO 11898-2:2016 standard to qualify bus activity. Once a valid WUP has been received, the wake request is indicated to the controller by a falling edge and low period corresponding to a filtered dominant on the RXD output of the TCAN1044-Q1.

The WUP consists of a filtered dominant pulse, followed by a filtered recessive pulse, and finally by a second filtered dominant pulse. The first filtered dominant initiates the WUP, and the bus monitor then waits on a filtered recessive; other bus traffic does not reset the bus monitor. Once a filtered recessive is received the bus monitor is waiting for a filtered dominant and again, other bus traffic does not reset the bus monitor. Immediately upon reception of the second filtered dominant the bus monitor recognizes the WUP and drives the RXD output low every time an additional filtered dominant signal is received from the bus.

For a dominant or recessive to be considered filtered, the bus must be in that state for more than the t_{WK_FILTER} time. Due to variability in t_{WK_FILTER} the following scenarios are applicable. Bus state times less than $t_{WK_FILTER(MIN)}$ are never detected as part of a WUP and thus no wake request is generated. Bus state times between $t_{WK_FILTER(MIN)}$ and $t_{WK_FILTER(MAX)}$ may be detected as part of a WUP and a wake-up request may be

generated. Bus state times greater than $t_{WK_FILTER(MAX)}$ are always detected as part of a WUP, and thus a wake request is always generated. See Figure 7-5 for the timing diagram of the wake-up pattern.

The pattern and t_{WK_FILTER} time used for the WUP prevents noise and bus stuck dominant faults from causing false wake-up requests while allowing any valid message to initiate a wake-up request.

The ISO 11898-2:2016 standard has defined times for a short and long wake-up filter time. The t_{WK_FILTER} timing for the device has been picked to be within the minimum and maximum values of both filter ranges. This timing has been chosen such that a single bit time at 500kbps, or two back-to-back bit times at 1Mbps triggers the filter in either bus state. Any CAN frame at 500kbps or less would contain a valid WUP.

For an additional layer of robustness and to prevent false wake-ups, the device implements a wake-up timeout feature. For a remote wake-up event to successfully occur, the entire WUP must be received within the timeout value $t \leq t_{WK_TIMEOUT}$. If not, the internal logic is reset and the transceiver remains in its current state without waking up. The full pattern must then be transmitted again, conforming to the constraints mentioned in this section. See Figure 7-5 for the timing diagram of the wake-up pattern with wake timeout feature.

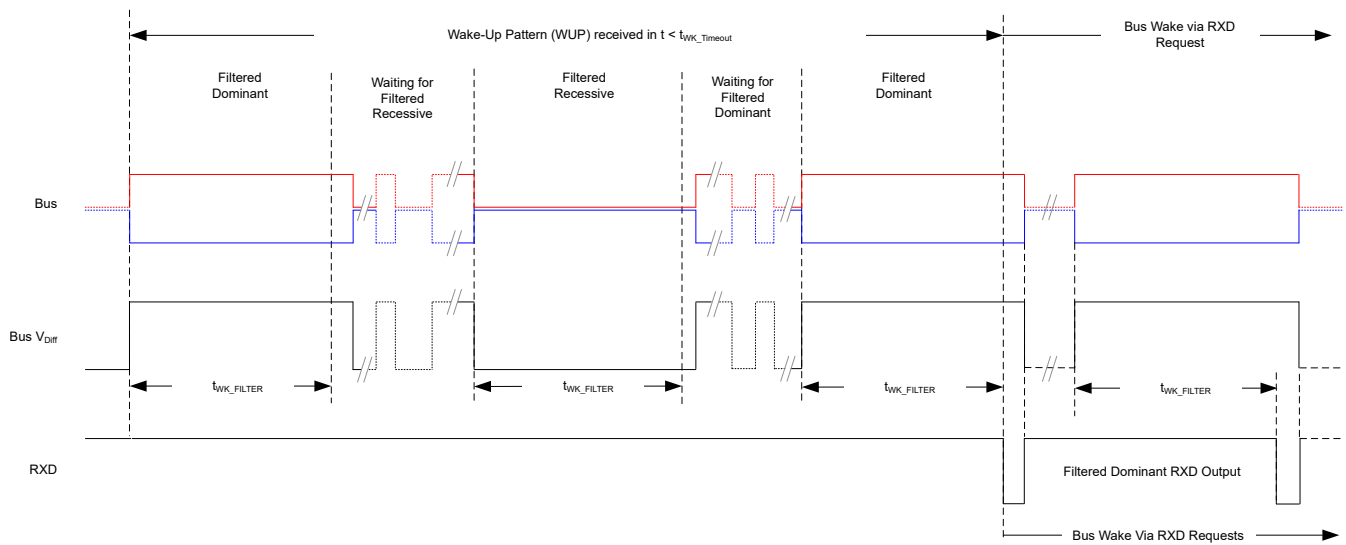


图 7-5. Wake-Up Pattern (WUP) with $t_{WK_TIMEOUT}$

7.4.4 Driver and Receiver Function

The digital logic input and output levels for the TCAN1044-Q1 are CMOS levels with respect to either V_{CC} for 5V systems or V_{IO} for compatible with MCUs having 1.8V, 2.5V, 3.3V, or 5V systems.

表 7-5. Driver Function Table

Device Mode	TXD Input ⁽¹⁾	Bus Outputs		Driven Bus State ⁽²⁾
		CANH	CANL	
Normal	Low	High	Low	Dominant
	High or open	High impedance	High impedance	Biased recessive
Standby	X	High impedance	High impedance	Biased to ground

(1) X = irrelevant

(2) For bus state and bias see [图 7-2](#) and [图 7-3](#)

表 7-6. Receiver Function Table Normal and Standby Mode

Device Mode	CAN Differential Inputs $V_{ID} = V_{CANH} - V_{CANL}$	Bus State	RXD Pin
Normal	$V_{ID} \geq 0.9V$	Dominant	Low
	$0.5V < V_{ID} < 0.9V$	Undefined	Undefined
	$V_{ID} \leq 0.5V$	Recessive	High
Standby	$V_{ID} \geq 1.15V$	Dominant	High Low if a remote wake event occurred See 图 7-5
	$0.4V < V_{ID} < 1.15V$	Undefined	
	$V_{ID} \leq 0.4V$	Recessive	
Any	Open ($V_{ID} \approx 0V$)	Open	High

8 Application and Implementation

备注

以下应用部分中的信息不属于 TI 器件规格的范围，TI 不担保其准确性和完整性。TI 的客户应负责确定器件是否适用于其应用。客户应验证并测试其设计，以确保系统功能。

8.1 Application Information

8.2 Typical Application

The TCAN1044-Q1 transceiver can be used in applications with a host controller or FPGA that includes the link layer portion of the CAN protocol. 图 8-1 shows a typical configuration for 5V controller applications. The bus termination is shown for illustrative purposes.

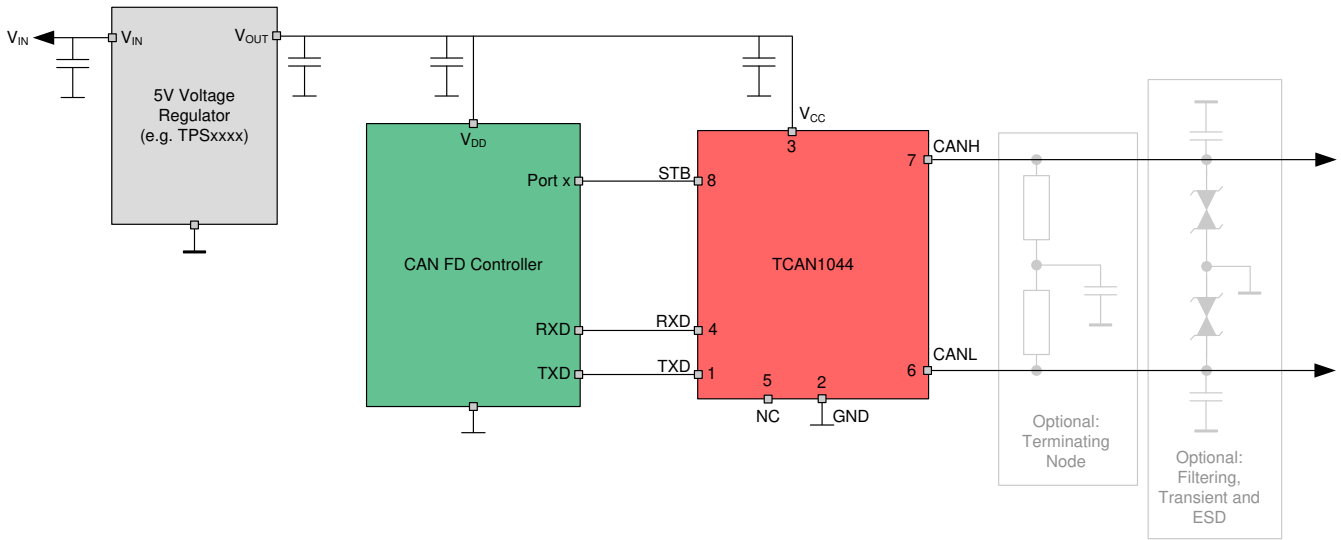


图 8-1. Transceiver Application Using 5V I/O Connections

8.2.1 Design Requirements

8.2.1.1 CAN Termination

Termination may be a single $120\ \Omega$ resistor at each end of the bus, either on the cable or in a terminating node. If filtering and stabilization of the common-mode voltage of the bus is desired then split termination may be used, see [图 8-2](#). Split termination improves the electromagnetic emissions behavior of the network by filtering higher-frequency common-mode noise that may be present on the differential signal lines.

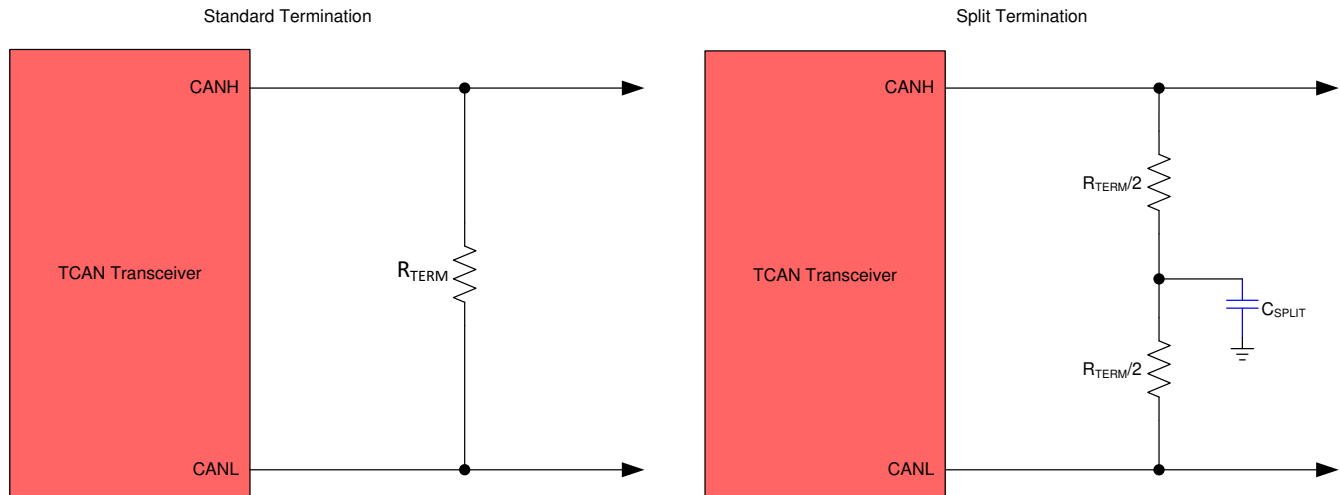


图 8-2. CAN Bus Termination Concepts

8.2.2 Detailed Design Procedures

8.2.2.1 Bus Loading, Length and Number of Nodes

A typical CAN application may have a maximum bus length of 40 meters and maximum stub length of 0.3m. However, with careful design, users can have longer cables, longer stub lengths, and many more nodes to a bus. A high number of nodes requires a transceiver with high input impedance such as the TCAN1044-Q1.

Many CAN organizations and standards have scaled the use of CAN for applications outside the original ISO 11898-2 standard. They made system level trade off decisions for data rate, cable length, and parasitic loading of the bus. Examples of these CAN systems level specifications are ARINC 825, CANopen, DeviceNet, SAE J2284, SAE J1939, and NMEA 2000.

A CAN network system design is a series of tradeoffs. In the ISO 11898-2:2016 specification the driver differential output is specified with a bus load that can range from $50\ \Omega$ to $65\ \Omega$ where the differential output must be greater than 1.5V. The TCAN1044-Q1 family is specified to meet the 1.5V requirement down to $50\ \Omega$ and is specified to meet 1.4V differential output at $45\ \Omega$ bus load. The differential input resistance of the TCAN1044-Q1 is a minimum of $40k\ \Omega$. If 100 TCAN1044-Q1 transceivers are in parallel on a bus, this is equivalent to a $400\ \Omega$ differential load in parallel with the nominal $60\ \Omega$ bus termination which gives a total bus load of approximately $52\ \Omega$. Therefore, the TCAN1044-Q1 family theoretically supports over 100 transceivers on a single bus segment. However, for a CAN network design margin must be given for signal loss across the system and cabling, parasitic loadings, timing, network imbalances, ground offsets and signal integrity; thus, a practical maximum number of nodes is often lower. Bus length may also be extended beyond 40 meters by careful system design and data rate tradeoffs. For example, CANopen network design guidelines allow the network to be up to 1 km with changes in the termination resistance, cabling, less than 64 nodes and significantly lowered data rate.

This flexibility in CAN network design is one of the key strengths of the various extensions and additional standards that have been built on the original ISO 11898-2 CAN standard. However, when using this flexibility, the CAN network system designer must take the responsibility of good network design for a robust network operation.

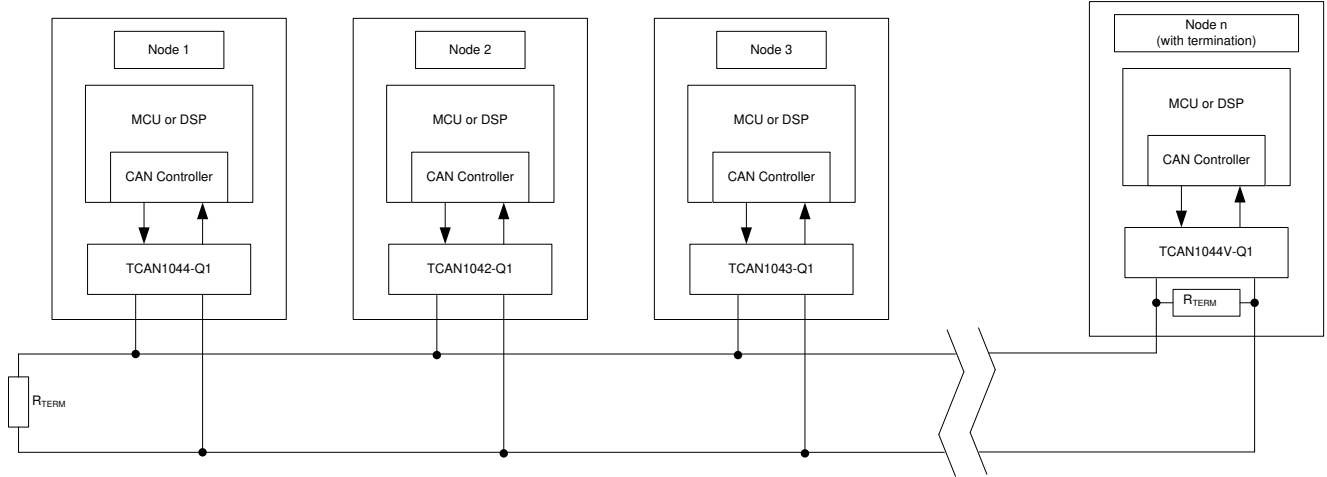
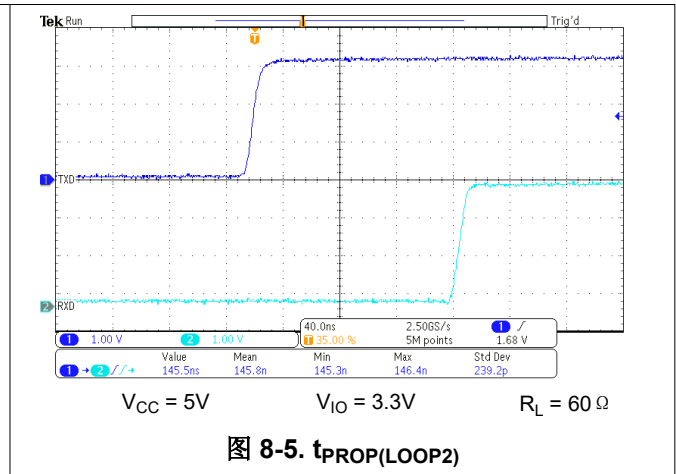
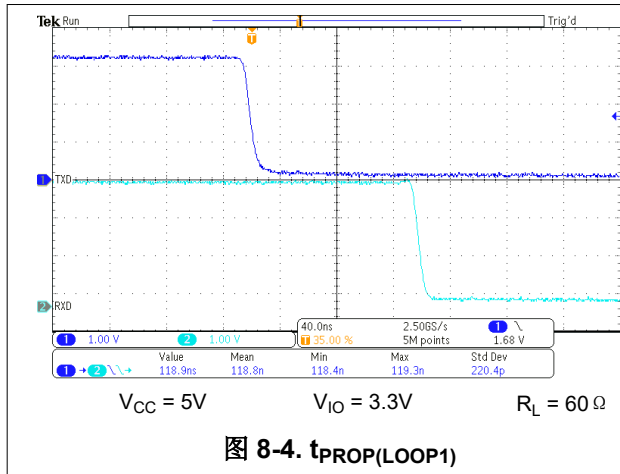


图 8-3. Typical CAN Bus

8.2.3 Application Curves



8.3 System Examples

The TCAN1044-Q1 CAN transceiver is typically used in applications with a host controller or FPGA that includes the link layer portion of the CAN protocol. A 1.8V, 2.5V, or 3.3V application is shown in 图 8-6. The bus termination is shown for illustrative purposes.

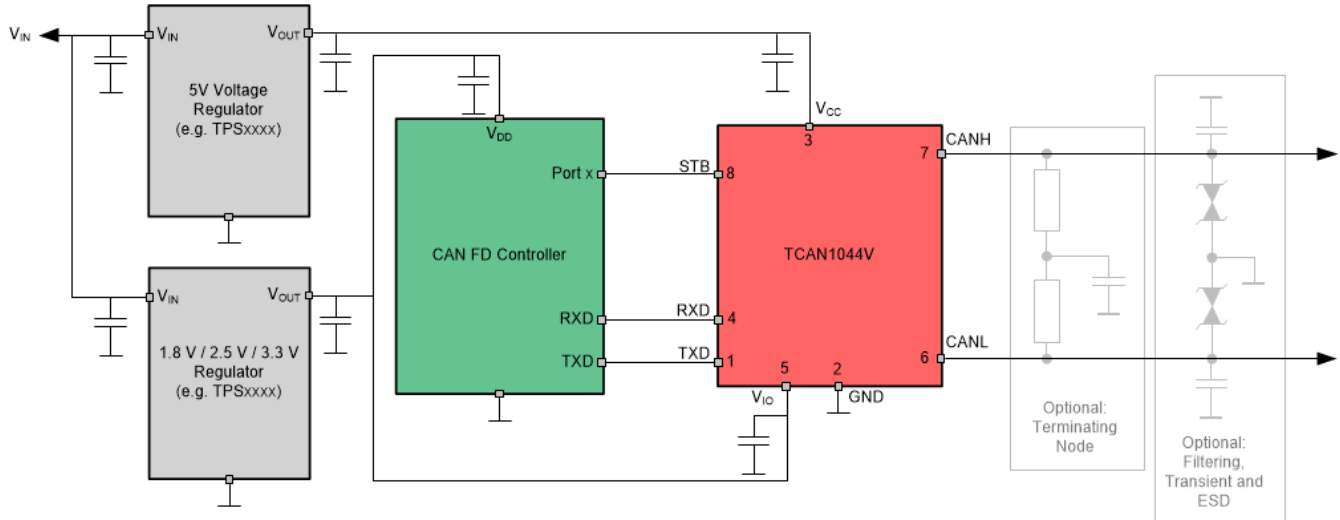


图 8-6. Typical Transceiver Application Using 1.8V, 2.5V, 3.3V IO Connections

8.4 Power Supply Recommendations

The TCAN1044-Q1 transceiver is designed to operate with a main V_{CC} input voltage supply range between 4.5V and 5.5V. The TCAN1044V-Q1 implements an IO level shifting supply input, V_{IO} , designed for a range between 1.8V and 5.5V. Both supply inputs must be well regulated. A decoupling capacitance, typically 100nF, should be placed near the CAN transceiver main V_{CC} supply pin in addition to bypass capacitors. A decoupling capacitor, typically 100nF, should be placed near the CAN transceiver V_{IO} supply pin in addition to bypass capacitors.

8.5 Layout

Robust and reliable CAN node design may require special layout techniques depending on the application and automotive design requirements. Since transient disturbances have high frequency content and a wide bandwidth, high-frequency layout techniques should be applied during PCB design.

8.5.1 Layout Guidelines

- Place the protection and filtering circuitry close to the bus connector, J1, to prevent transients, ESD, and noise from propagating onto the board. This layout example shows an optional transient voltage suppression (TVS) diode, D1, which may be implemented if the system-level requirements exceed the specified rating of the transceiver. This example also shows optional bus filter capacitors C4 and C5.
- Design the bus protection components in the direction of the signal path. Do not force the transient current to divert from the signal path to reach the protection device.
- Decoupling capacitors should be placed as close as possible to the supply pins V_{CC} and V_{IO} of transceiver.
- Use at least two vias for supply and ground connections of bypass capacitors and protection devices to minimize trace and via inductance.

备注

High frequency current follows the path of least impedance and not the path of least resistance.

- This layout example shows how split termination could be implemented on the CAN node. The termination is split into two resistors, R6 and R7, with the center or split tap of the termination connected to ground via

capacitor C3. Split termination provides common mode filtering for the bus. See 节 8.2.1.1, 节 7.3.4, and 方程式 2 for information on termination concepts and power ratings needed for the termination resistor(s).

- To limit current, digital lines series resistors can be used. Examples are R2, R3 and R4.
- Pin 1 is shown for the TXD input of the device with R1 as an optional pull-up resistor. If an open drain host controller is used, making sure the bit timing into the device is met is mandatory.
- Pin 8 is shown with R4 assuming the mode pin STB, is used. If the device is used in normal mode only, R4 is not needed and the pads of C4 could be used for the pull down resistor R5 to GND.

8.5.2 Layout Example

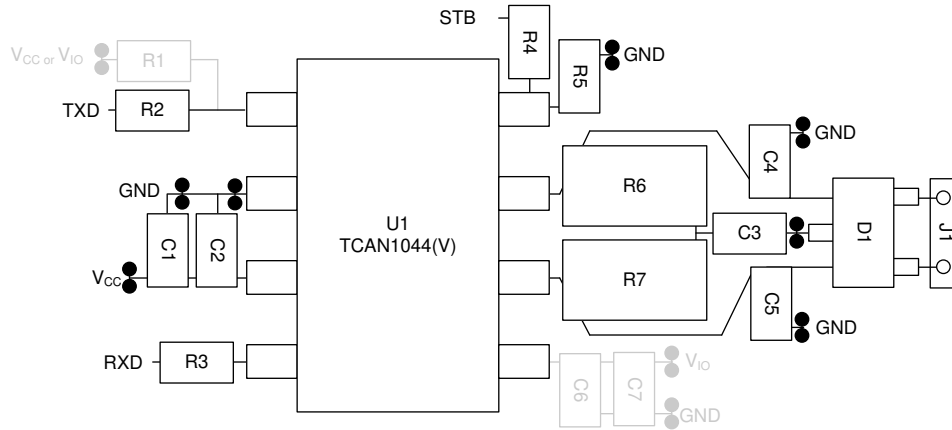


图 8-7. Layout Example

9 Device and Documentation Support

9.1 接收文档更新通知

要接收文档更新通知，请导航至 [ti.com](https://www.ti.com) 上的器件产品文件夹。点击 [通知](#) 进行注册，即可每周接收产品信息更改摘要。有关更改的详细信息，请查看任何已修订文档中包含的修订历史记录。

9.2 支持资源

[TI E2E™ 中文支持论坛](#) 是工程师的重要参考资料，可直接从专家处获得快速、经过验证的解答和设计帮助。搜索现有解答或提出自己的问题，获得所需的快速设计帮助。

链接的内容由各个贡献者“按原样”提供。这些内容并不构成 TI 技术规范，并且不一定反映 TI 的观点；请参阅 TI 的 [使用条款](#)。

9.3 商标

TI E2E™ is a trademark of Texas Instruments.

所有商标均为其各自所有者的财产。

9.4 静电放电警告



静电放电 (ESD) 会损坏这个集成电路。德州仪器 (TI) 建议通过适当的预防措施处理所有集成电路。如果不遵守正确的处理和安装程序，可能会损坏集成电路。

ESD 的损坏小至导致微小的性能降级，大至整个器件故障。精密的集成电路可能更容易受到损坏，这是因为非常细微的参数更改都可能会导致器件与其发布的规格不相符。

9.5 术语表

[TI 术语表](#) 本术语表列出并解释了术语、首字母缩略词和定义。

10 Revision History

注：以前版本的页码可能与当前版本的页码不同

Changes from Revision B (October 2021) to Revision C (October 2024)	Page
• 更改了 <i>特性</i> ：“采用 SOIC 封装...”	1
• 从数据表标题和接头信息中删除了器件型号 TCAN1044V-Q1。	1
• 将 <i>器件信息</i> 表更改为 <i>封装信息</i> 表	1

Changes from Revision A (December 2019) to Revision B (October 2021)	Page
• 添加了 <i>特性</i> “提供功能安全”	1
• 更改了 <i>简化版原理图</i>	1
• Changed 图 8-2	24

Changes from Revision * (August 2019) to Revision A (December 2019)	Page
• 首次公开发布数据表	1
• Added SAE j2962-2 ESD	4
• Changed footnote to Tested according to IEC 62228-3:2019 CAN Transceivers, Section 6.3; standard pulses parameters defined in ISO 7637-2 (2011)	4

11 Mechanical, Packaging, and Orderable Information

The following pages include mechanical, packaging, and orderable information. This information is the most current data available for the designated devices. This data is subject to change without notice and revision of this document. For browser-based versions of this data sheet, refer to the left-hand navigation.

PACKAGING INFORMATION

Orderable Device	Status (1)	Package Type	Package Drawing	Pins	Package Qty	Eco Plan (2)	Lead finish/ Ball material (6)	MSL Peak Temp (3)	Op Temp (°C)	Device Marking (4/5)	Samples
TCAN1044DRBRQ1	ACTIVE	SON	DRB	8	3000	RoHS & Green	NIPDAU	Level-2-260C-1 YEAR	-40 to 125	1044	Samples
TCAN1044DRQ1	ACTIVE	SOIC	D	8	2500	RoHS & Green	NIPDAU	Level-1-260C-UNLIM	-40 to 125	1044	Samples
TCAN1044VDDFRQ1	ACTIVE	SOT-23-THIN	DDF	8	3000	RoHS & Green	NIPDAU	Level-1-260C-UNLIM	-40 to 125	26SF	Samples
TCAN1044VDRBRQ1	ACTIVE	SON	DRB	8	3000	RoHS & Green	NIPDAU	Level-2-260C-1 YEAR	-40 to 125	1044V	Samples
TCAN1044VDRQ1	ACTIVE	SOIC	D	8	2500	RoHS & Green	NIPDAU	Level-1-260C-UNLIM	-40 to 125	1044V	Samples

(1) The marketing status values are defined as follows:

ACTIVE: Product device recommended for new designs.

LIFEBUY: TI has announced that the device will be discontinued, and a lifetime-buy period is in effect.

NRND: Not recommended for new designs. Device is in production to support existing customers, but TI does not recommend using this part in a new design.

PREVIEW: Device has been announced but is not in production. Samples may or may not be available.

OBSELETE: TI has discontinued the production of the device.

(2) **RoHS:** TI defines "RoHS" to mean semiconductor products that are compliant with the current EU RoHS requirements for all 10 RoHS substances, including the requirement that RoHS substance do not exceed 0.1% by weight in homogeneous materials. Where designed to be soldered at high temperatures, "RoHS" products are suitable for use in specified lead-free processes. TI may reference these types of products as "Pb-Free".

RoHS Exempt: TI defines "RoHS Exempt" to mean products that contain lead but are compliant with EU RoHS pursuant to a specific EU RoHS exemption.

Green: TI defines "Green" to mean the content of Chlorine (Cl) and Bromine (Br) based flame retardants meet JS709B low halogen requirements of <=1000ppm threshold. Antimony trioxide based flame retardants must also meet the <=1000ppm threshold requirement.

(3) MSL, Peak Temp. - The Moisture Sensitivity Level rating according to the JEDEC industry standard classifications, and peak solder temperature.

(4) There may be additional marking, which relates to the logo, the lot trace code information, or the environmental category on the device.

(5) Multiple Device Markings will be inside parentheses. Only one Device Marking contained in parentheses and separated by a "~" will appear on a device. If a line is indented then it is a continuation of the previous line and the two combined represent the entire Device Marking for that device.

(6) Lead finish/Ball material - Orderable Devices may have multiple material finish options. Finish options are separated by a vertical ruled line. Lead finish/Ball material values may wrap to two lines if the finish value exceeds the maximum column width.

Important Information and Disclaimer: The information provided on this page represents TI's knowledge and belief as of the date that it is provided. TI bases its knowledge and belief on information provided by third parties, and makes no representation or warranty as to the accuracy of such information. Efforts are underway to better integrate information from third parties. TI has taken and continues to take reasonable steps to provide representative and accurate information but may not have conducted destructive testing or chemical analysis on incoming materials and chemicals. TI and TI suppliers consider certain information to be proprietary, and thus CAS numbers and other limited information may not be available for release.

In no event shall TI's liability arising out of such information exceed the total purchase price of the TI part(s) at issue in this document sold by TI to Customer on an annual basis.

TAPE AND REEL INFORMATION

QUADRANT ASSIGNMENTS FOR PIN 1 ORIENTATION IN TAPE


*All dimensions are nominal

Device	Package Type	Package Drawing	Pins	SPQ	Reel Diameter (mm)	Reel Width W1 (mm)	A0 (mm)	B0 (mm)	K0 (mm)	P1 (mm)	W (mm)	Pin1 Quadrant
TCAN1044DRBRQ1	SON	DRB	8	3000	330.0	12.4	3.3	3.3	1.1	8.0	12.0	Q1
TCAN1044DRQ1	SOIC	D	8	2500	330.0	12.4	6.4	5.2	2.1	8.0	12.0	Q1
TCAN1044VDDFRQ1	SOT-23-THIN	DDF	8	3000	180.0	8.4	3.2	3.2	1.4	4.0	8.0	Q3
TCAN1044VDRBRQ1	SON	DRB	8	3000	330.0	12.4	3.3	3.3	1.1	8.0	12.0	Q1
TCAN1044VDRQ1	SOIC	D	8	2500	330.0	12.4	6.4	5.2	2.1	8.0	12.0	Q1

TAPE AND REEL BOX DIMENSIONS



*All dimensions are nominal

Device	Package Type	Package Drawing	Pins	SPQ	Length (mm)	Width (mm)	Height (mm)
TCAN1044DRBRQ1	SON	DRB	8	3000	367.0	367.0	35.0
TCAN1044DRQ1	SOIC	D	8	2500	356.0	356.0	35.0
TCAN1044VDDFRQ1	SOT-23-THIN	DDF	8	3000	210.0	185.0	35.0
TCAN1044VDRBRQ1	SON	DRB	8	3000	367.0	367.0	35.0
TCAN1044VDRQ1	SOIC	D	8	2500	356.0	356.0	35.0

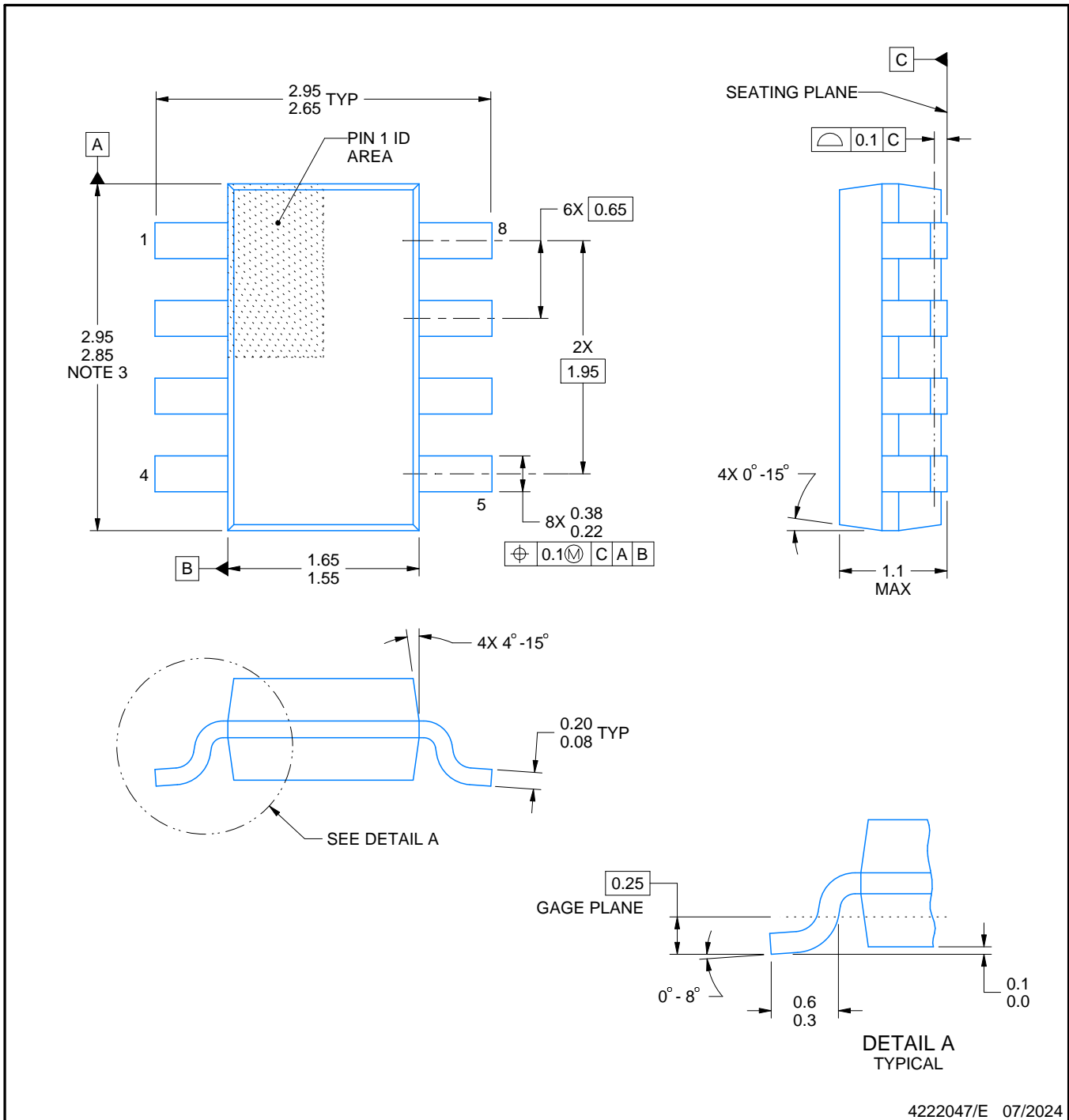
DDF0008A



PACKAGE OUTLINE

SOT-23-THIN - 1.1 mm max height

PLASTIC SMALL OUTLINE



4222047/E 07/2024

NOTES:

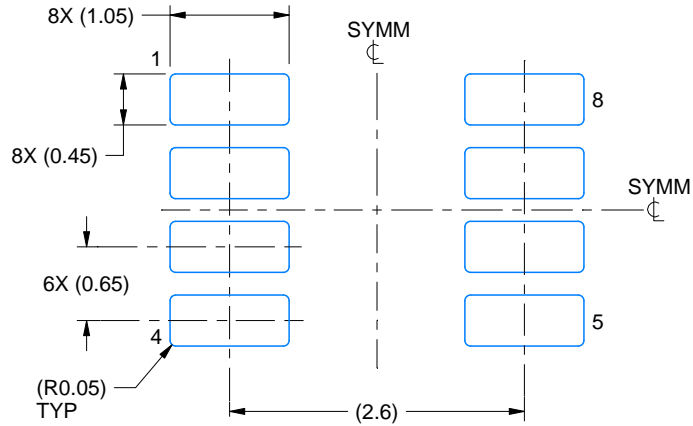
1. All linear dimensions are in millimeters. Any dimensions in parenthesis are for reference only. Dimensioning and tolerancing per ASME Y14.5M.
2. This drawing is subject to change without notice.
3. This dimension does not include mold flash, protrusions, or gate burrs. Mold flash, protrusions, or gate burrs shall not exceed 0.15 mm per side.

EXAMPLE BOARD LAYOUT

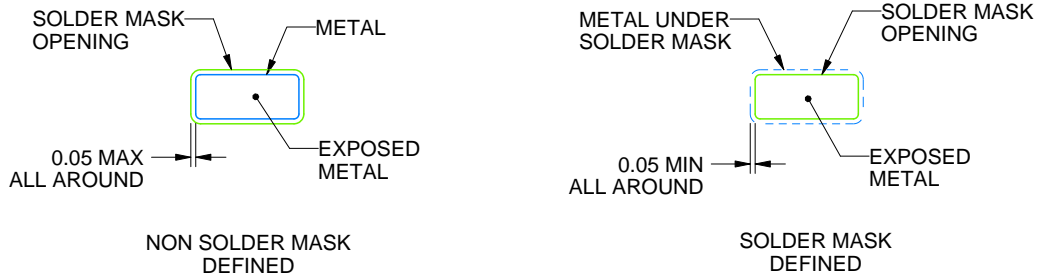
DDF0008A

SOT-23-THIN - 1.1 mm max height

PLASTIC SMALL OUTLINE



LAND PATTERN EXAMPLE
EXPOSED METAL SHOWN
SCALE:15X



SOLDER MASK DETAILS

4222047/E 07/2024

NOTES: (continued)

- 4. Publication IPC-7351 may have alternate designs.
- 5. Solder mask tolerances between and around signal pads can vary based on board fabrication site.

EXAMPLE STENCIL DESIGN

DDF0008A

SOT-23-THIN - 1.1 mm max height

PLASTIC SMALL OUTLINE



SOLDER PASTE EXAMPLE
BASED ON 0.125 mm THICK STENCIL
SCALE:15X

4222047/E 07/2024

NOTES: (continued)

6. Laser cutting apertures with trapezoidal walls and rounded corners may offer better paste release. IPC-7525 may have alternate design recommendations.
7. Board assembly site may have different recommendations for stencil design.



D0008A

PACKAGE OUTLINE

SOIC - 1.75 mm max height

SMALL OUTLINE INTEGRATED CIRCUIT



4214825/C 02/2019

NOTES:

1. Linear dimensions are in inches [millimeters]. Dimensions in parenthesis are for reference only. Controlling dimensions are in inches. Dimensioning and tolerancing per ASME Y14.5M.
2. This drawing is subject to change without notice.
3. This dimension does not include mold flash, protrusions, or gate burrs. Mold flash, protrusions, or gate burrs shall not exceed .006 [0.15] per side.
4. This dimension does not include interlead flash.
5. Reference JEDEC registration MS-012, variation AA.

EXAMPLE BOARD LAYOUT

D0008A

SOIC - 1.75 mm max height

SMALL OUTLINE INTEGRATED CIRCUIT



LAND PATTERN EXAMPLE
 EXPOSED METAL SHOWN
 SCALE:8X



SOLDER MASK DETAILS

4214825/C 02/2019

NOTES: (continued)

- 6. Publication IPC-7351 may have alternate designs.
- 7. Solder mask tolerances between and around signal pads can vary based on board fabrication site.

EXAMPLE STENCIL DESIGN

D0008A

SOIC - 1.75 mm max height

SMALL OUTLINE INTEGRATED CIRCUIT



SOLDER PASTE EXAMPLE
BASED ON .005 INCH [0.125 MM] THICK STENCIL
SCALE:8X

4214825/C 02/2019

NOTES: (continued)

8. Laser cutting apertures with trapezoidal walls and rounded corners may offer better paste release. IPC-7525 may have alternate design recommendations.
9. Board assembly site may have different recommendations for stencil design.

DRB 8

GENERIC PACKAGE VIEW

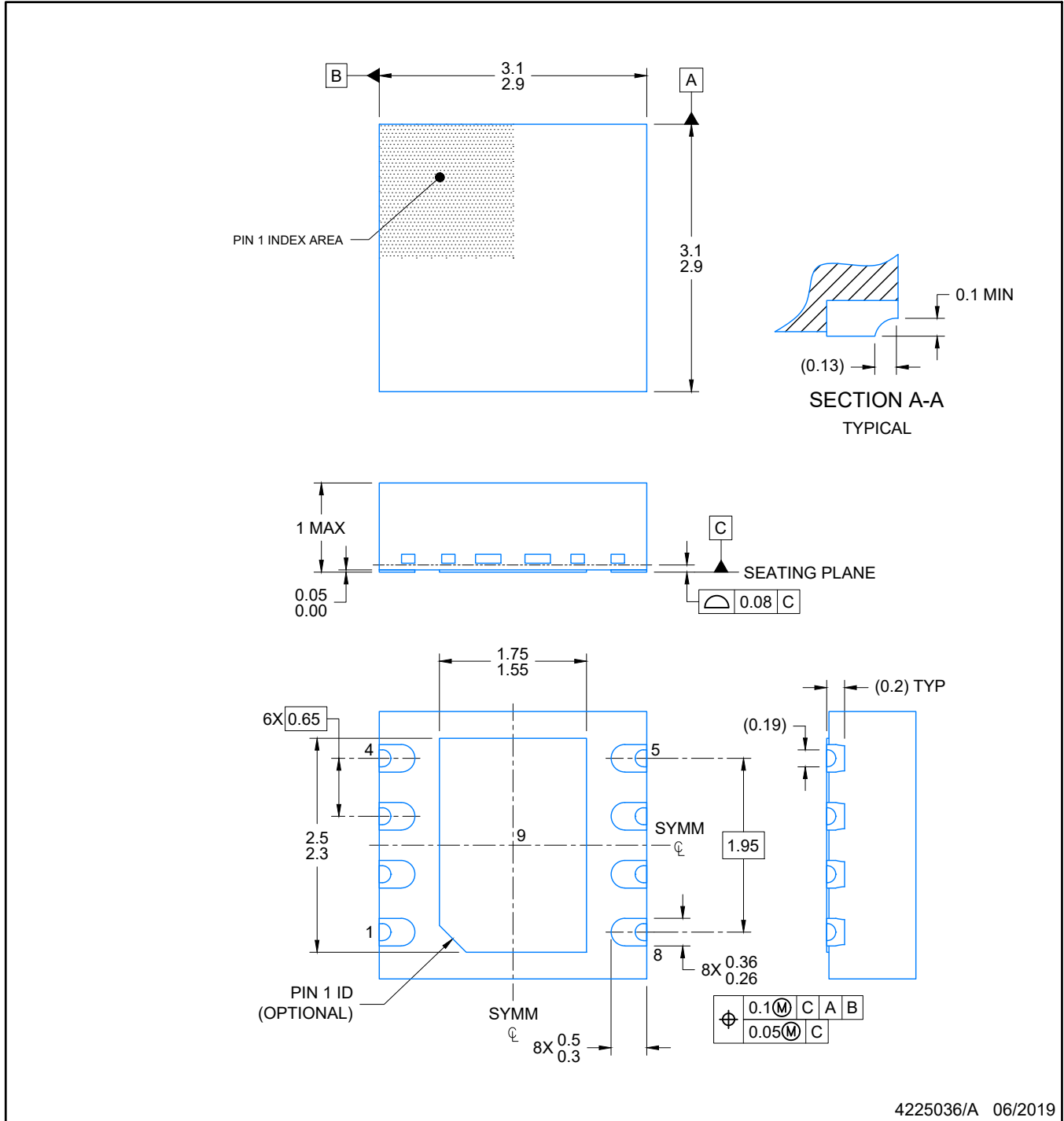
VSON - 1 mm max height

PLASTIC SMALL OUTLINE - NO LEAD



Images above are just a representation of the package family, actual package may vary.
Refer to the product data sheet for package details.

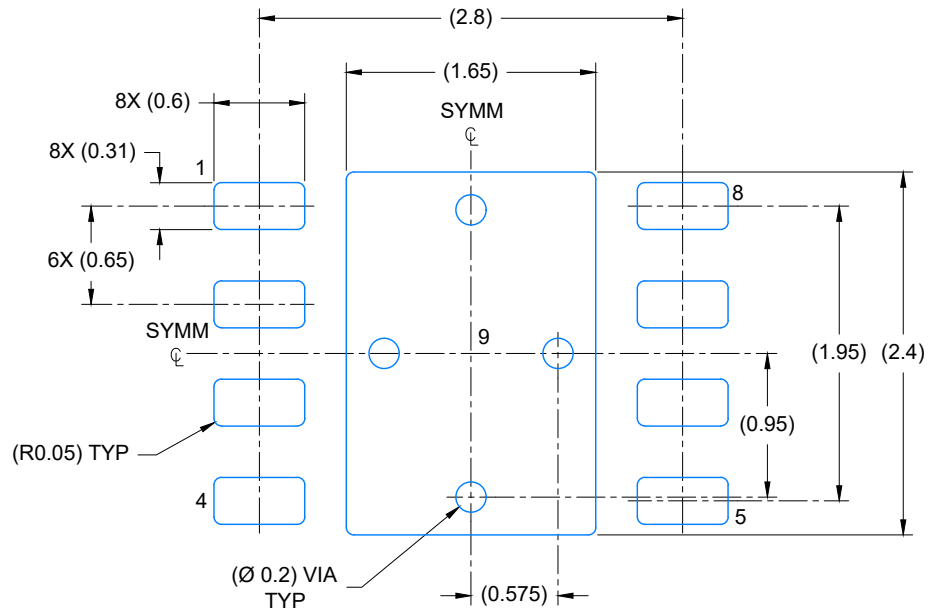
4203482/L



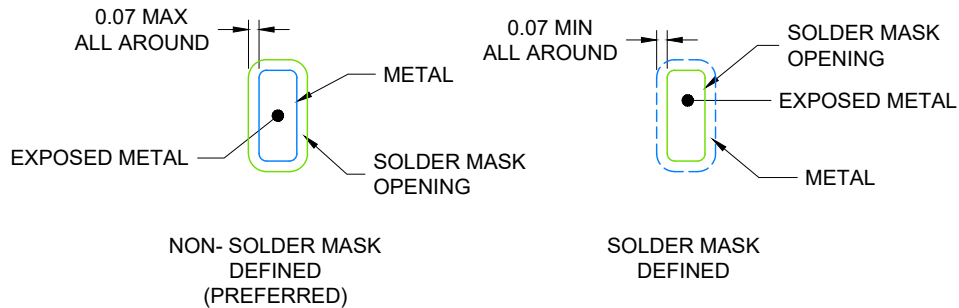
4225036/A 06/2019

NOTES:

1. All linear dimensions are in millimeters. Any dimensions in parenthesis are for reference only. Dimensioning and tolerancing per ASME Y14.5M.
2. This drawing is subject to change without notice.
3. The package thermal pad must be soldered to the printed circuit board for optimal thermal and mechanical performance.



LAND PATTERN EXAMPLE
EXPOSED METAL SHOWN
SCALE: 20X

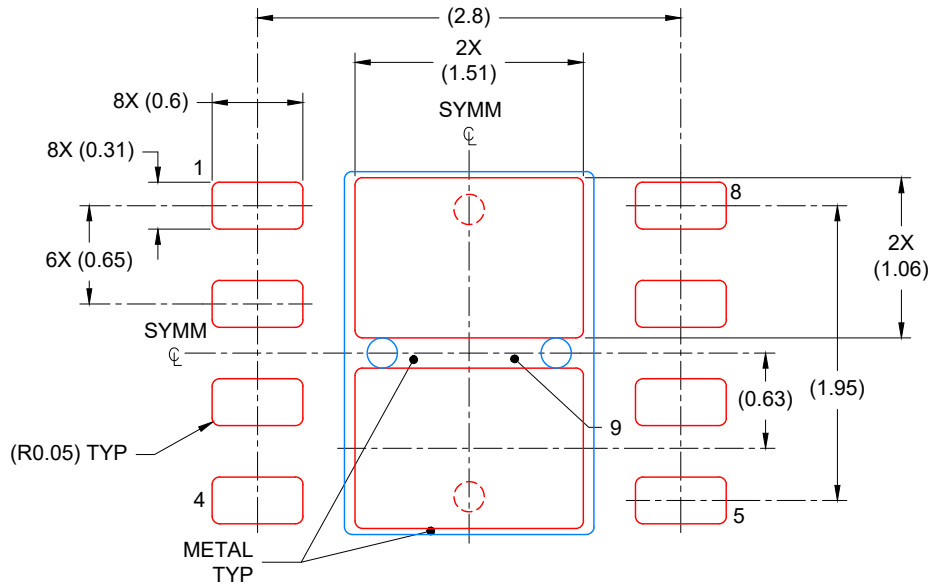


SOLDER MASK DETAILS

4225036/A 06/2019

NOTES: (continued)

4. This package is designed to be soldered to a thermal pad on the board. For more information, see Texas Instruments literature number SLUA271 (www.ti.com/lit/slua271).
5. Vias are optional depending on application, refer to device data sheet. If any vias are implemented, refer to their locations shown on this view. It is recommended that vias under paste be filled, plugged or tented.



SOLDER PASTE EXAMPLE
 BASED ON 0.125 mm THICK STENCIL

EXPOSED PAD
 81% PRINTED COVERAGE BY AREA
 SCALE: 20X

4225036/A 06/2019

NOTES: (continued)

6. Laser cutting apertures with trapezoidal walls and rounded corners may offer better paste release. IPC-7525 may have alternate design recommendations.

重要声明和免责声明

TI“按原样”提供技术和可靠性数据（包括数据表）、设计资源（包括参考设计）、应用或其他设计建议、网络工具、安全信息和其他资源，不保证没有瑕疵且不做任何明示或暗示的担保，包括但不限于对适销性、某特定用途方面的适用性或不侵犯任何第三方知识产权的暗示担保。

这些资源可供使用 TI 产品进行设计的熟练开发人员使用。您将自行承担以下全部责任：(1) 针对您的应用选择合适的 TI 产品，(2) 设计、验证并测试您的应用，(3) 确保您的应用满足相应标准以及任何其他功能安全、信息安全、监管或其他要求。

这些资源如有变更，恕不另行通知。TI 授权您仅可将这些资源用于研发本资源所述的 TI 产品的应用。严禁对这些资源进行其他复制或展示。您无权使用任何其他 TI 知识产权或任何第三方知识产权。您应全额赔偿因在这些资源的使用中对 TI 及其代表造成的任何索赔、损害、成本、损失和债务，TI 对此概不负责。

TI 提供的产品受 [TI 的销售条款](#) 或 [ti.com](#) 上其他适用条款/TI 产品随附的其他适用条款的约束。TI 提供这些资源并不会扩展或以其他方式更改 TI 针对 TI 产品发布的适用的担保或担保免责声明。

TI 反对并拒绝您可能提出的任何其他或不同的条款。

邮寄地址：Texas Instruments, Post Office Box 655303, Dallas, Texas 75265

Copyright © 2024，德州仪器 (TI) 公司