

## TLVx379

### 低电压、4 $\mu$ A 轨到轨 I/O 成本优化型运算放大器

#### 1 特性

- 成本优化型精密放大器
- 微功耗：4 $\mu$ A（典型值）
- 低失调电压：0.8mV（典型值）
- 轨到轨输入和输出
- 单位增益稳定
- 宽电源电压范围：1.8V 至 5.5V
- 微型封装：
  - 5 引脚 SC70
  - 5 引脚小外形尺寸晶体管 (SOT)-23
  - 8 引脚小外形尺寸集成电路 (SOIC) 封装
  - 14 引脚薄型小外形尺寸 (TSSOP) 封装

#### 2 应用

- 移动电源
- 太阳能逆变器
- 低功耗电机控制
- 电池供电仪器
- 便携式设备
- 医疗仪器
- 手持测试设备

#### 3 说明

TLV379 系列单通道、双通道和四通道运算放大器是成本优化型低电压、微功耗放大器的典型代表。该器件系列的工作电源电压低至 1.8V ( $\pm 0.9V$ ) 且静态电流消耗极低（每通道为 4 $\mu$ A），非常适合功耗敏感型应用进行了优化。此外，TLV379 系列具有轨到轨输入和输出功能，几乎适用于所有单电源应用。

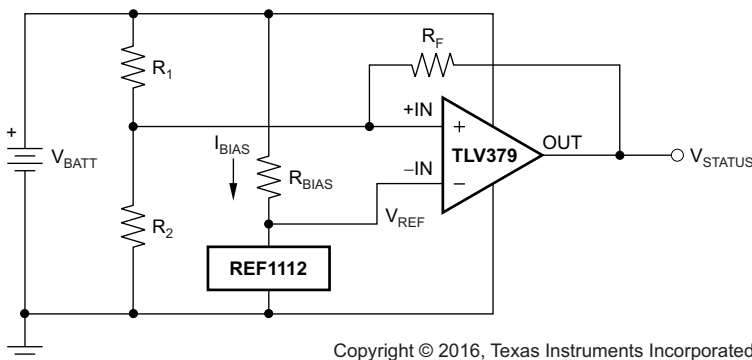
TLV379（单通道）采用 5 引脚 SC70 和小外形尺寸晶体管 (SOT)-23 封装以及 8 引脚小外形尺寸集成电路 (SOIC) 封装。TLV2379（双通道）采用 8 引脚 SOIC 封装。TLV4379（四通道）采用 14 引脚薄型小外形尺寸 (TSSOP) 封装。所有器件版本的额定工作温度范围为 -40°C 至 +125°C。

器件信息<sup>(1)</sup>

| 器件型号    | 封装                     | 封装尺寸 (标称值)      |
|---------|------------------------|-----------------|
| TLV379  | SC70 (5)               | 2.00mm x 1.25mm |
|         | SOT-23 (5)             | 2.90mm x 1.60mm |
|         | SOIC (8)               | 4.90mm x 3.91mm |
| TLV2379 | SOIC (8)               | 4.90mm x 3.91mm |
| TLV4379 | 薄型小外形尺寸封装 (TSSOP) (14) | 5.00mm x 4.40mm |

(1) 要了解所有可用封装，请参阅数据表末尾的可订购产品附录。

电池监控应用中的 TLV379



Copyright © 2016, Texas Instruments Incorporated



## 目录

|          |  |           |           |   |           |
|----------|--|-----------|-----------|---|-----------|
| <b>1</b> | 特性 .....   | <b>1</b>  | 8.4       | Device Functional Modes.....                | <b>13</b> |
| <b>2</b> | 应用 .....   | <b>1</b>  | <b>9</b>  | <b>Application and Implementation</b> ..... | <b>14</b> |
| <b>3</b> | 说明 .....   | <b>1</b>  | 9.1       | Application Information.....                | <b>14</b> |
| <b>4</b> | 修订历史记录 .....   | <b>2</b>  | 9.2       | Typical Application .....                   | <b>14</b> |
| <b>5</b> | <b>Device Comparison Table</b> .....                                   | <b>3</b>  | 9.3       | System Examples .....                       | <b>15</b> |
| <b>6</b> | <b>Pin Configuration and Functions</b> .....                           | <b>3</b>  | <b>10</b> | <b>Power Supply Recommendations</b> .....   | <b>17</b> |
| <b>7</b> | <b>Specifications</b> .....  | <b>6</b>  | 10.1      | Input and ESD Protection .....              | <b>17</b> |
| 7.1      | Absolute Maximum Ratings .....   | <b>6</b>  | <b>11</b> | <b>Layout</b> .....                         | <b>18</b> |
| 7.2      | ESD Ratings.....   | <b>6</b>  | 11.1      | Layout Guidelines .....                     | <b>18</b> |
| 7.3      | Recommended Operating Conditions.....                                  | <b>6</b>  | 11.2      | Layout Example .....                        | <b>18</b> |
| 7.4      | Thermal Information: TLV379 .....                                      | <b>7</b>  | <b>12</b> | 器件和文档支持 .....                               | <b>19</b> |
| 7.5      | Thermal Information: TLV2379 .....                                     | <b>7</b>  | 12.1      | 文档支持 .....                                  | <b>19</b> |
| 7.6      | Thermal Information: TLV4379 .....                                     | <b>7</b>  | 12.2      | 相关链接 .....                                  | <b>19</b> |
| 7.7      | Electrical Characteristics: $V_S = 1.8\text{ V to }5.5\text{ V}$ ..... | <b>8</b>  | 12.3      | 接收文档更新通知 .....                              | <b>19</b> |
| 7.8      | Typical Characteristics .....  | <b>9</b>  | 12.4      | 社区资源 .....                                  | <b>19</b> |
| <b>8</b> | <b>Detailed Description</b> .....                                      | <b>12</b> | 12.5      | 商标 .....                                    | <b>19</b> |
| 8.1      | Overview .....   | <b>12</b> | 12.6      | 静电放电警告 .....                                | <b>19</b> |
| 8.2      | Functional Block Diagram .....   | <b>12</b> | 12.7      | Glossary .....                              | <b>19</b> |
| 8.3      | Feature Description.....   | <b>12</b> | <b>13</b> | 机械、封装和可订购信息 .....                           | <b>19</b> |

## 4 修订历史记录

注：之前版本的页码可能与当前版本有所不同。

| <b>Changes from Revision A (September 2016) to Revision B</b>                               | <b>Page</b> |
|---|-------------|
| • Added underscores to pin names in Pin Functions tables to match connection diagrams ..... | <b>4</b>    |

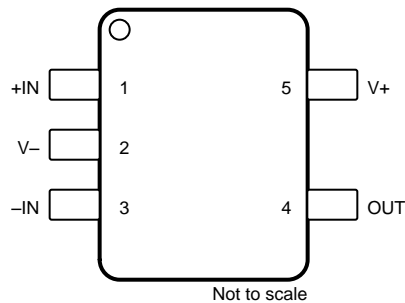
| <b>Changes from Original (April 2016) to Revision A</b> | <b>Page</b> |
|---|-------------|
| • Changed DBV pinout .....                              | <b>3</b>    |

## 5 Device Comparison Table

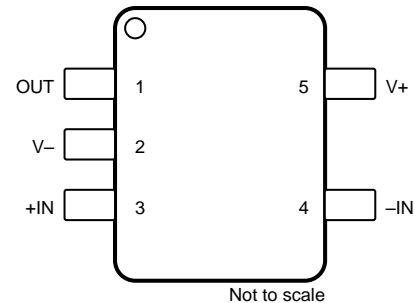
| FEATURES   | PRODUCT |
|--|---------|
| 1 $\mu\text{A}$ , 70 kHz, 2-mV $V_{\text{OS}}$ , 1.8-V to 5.5-V supply                 | OPA349  |
| 1 $\mu\text{A}$ , 5.5 kHz, 390- $\mu\text{V}$ $V_{\text{OS}}$ , 2.5-V to 16-V supply   | TLV240x |
| 1 $\mu\text{A}$ , 5.5 kHz, 0.6-mV $V_{\text{OS}}$ , 2.5-V to 12-V supply               | TLV224x |
| 7 $\mu\text{A}$ , 160 kHz, 0.5-mV $V_{\text{OS}}$ , 2.7-V to 16-V supply               | TLV27Lx |
| 7 $\mu\text{A}$ , 160 kHz, 0.5-mV $V_{\text{OS}}$ , 2.7-V to 16-V supply               | TLV238x |
| 20 $\mu\text{A}$ , 350 kHz, 2-mV $V_{\text{OS}}$ , 2.3-V to 5.5-V supply               | OPA347  |
| 20 $\mu\text{A}$ , 500 kHz, 550- $\mu\text{V}$ $V_{\text{OS}}$ , 1.8-V to 3.6-V supply | TLV276x |
| 45 $\mu\text{A}$ , 1 MHz, 1-mV $V_{\text{OS}}$ , 2.1-V to 5.5-V supply                 | OPA348  |

## 6 Pin Configuration and Functions

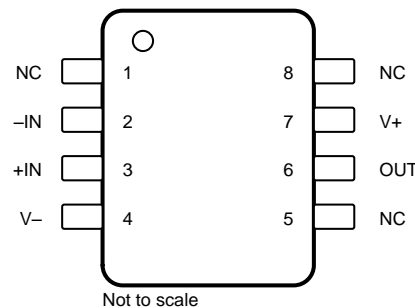
**TLV379: DCK Package  
5-Pin SC70  
Top View**



**TLV379: DBV Package  
5-Pin SOT23  
Top View**

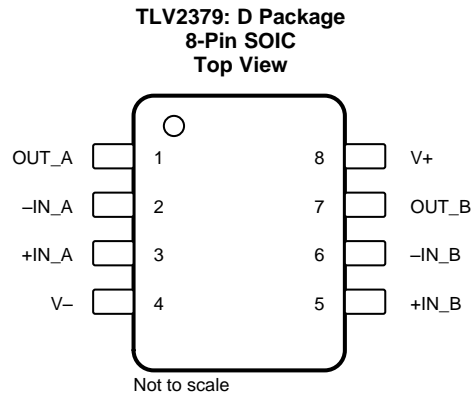


**TLV379: D Package  
8-Pin SOIC  
Top View**



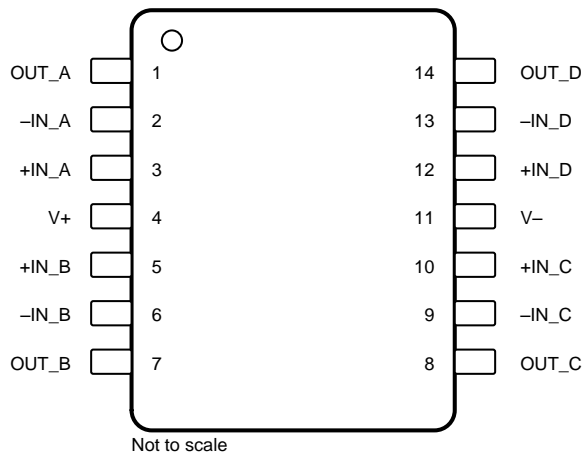
### Pin Functions: TLV379

| NAME | NO. |     |         | I/O | DESCRIPTION                                   |
|------|-----|-----|---------|-----|---|
|      | DCK | DBV | D       |     |   |
| -IN  | 3   | 4   | 2       | I   | Negative (inverting) input                    |
| +IN  | 1   | 3   | 3       | I   | Positive (noninverting) input                 |
| NC   | —   | —   | 1, 5, 8 | —   | No internal connection (can be left floating) |
| OUT  | 4   | 1   | 6       | O   | Output  |
| V-   | 2   | 2   | 4       | —   | Negative (lowest) power supply                |
| V+   | 5   | 5   | 7       | —   | Positive (highest) power supply               |


**Pin Functions: TLV2379**

| NAME  | NO. | I/O | DESCRIPTION                     |
|-------|-----|-----|---------------------------------|
| -IN_A | 2   | I   | Inverting input, channel A      |
| +IN_A | 3   | I   | Noninverting input, channel A   |
| -IN_B | 6   | I   | Inverting input, channel B      |
| +IN_B | 5   | I   | Noninverting input, channel B   |
| OUT_A | 1   | O   | Output, channel A               |
| OUT_B | 7   | O   | Output, channel B               |
| V-    | 4   | —   | Negative (lowest) power supply  |
| V+    | 8   | —   | Positive (highest) power supply |

**TLV4379: PW Package  
14-Pin TSSOP  
Top View**



**Pin Functions: TLV4379**

| NAME  | NO. | I/O | DESCRIPTION                     |
|-------|-----|-----|---------------------------------|
| -IN_A | 2   | I   | Inverting input, channel A      |
| +IN_A | 3   | I   | Noninverting input, channel A   |
| -IN_B | 6   | I   | Inverting input, channel B      |
| +IN_B | 5   | I   | Noninverting input, channel B   |
| -IN_C | 9   | I   | Inverting input, channel C      |
| +IN_C | 10  | I   | Noninverting input, channel C   |
| -IN_D | 13  | I   | Inverting input, channel D      |
| +IN_D | 12  | I   | Noninverting input, channel D   |
| OUT_A | 1   | O   | Output, channel A               |
| OUT_B | 7   | O   | Output, channel B               |
| OUT_C | 8   | O   | Output, channel C               |
| OUT_D | 14  | O   | Output, channel D               |
| V-    | 11  | —   | Negative (lowest) power supply  |
| V+    | 4   | —   | Positive (highest) power supply |

## 7 Specifications

### 7.1 Absolute Maximum Ratings

over operating free-air temperature range (unless otherwise noted)<sup>(1)</sup>

|             |                                     | MIN          | MAX          | UNIT |
|-------------|-------------------------------------|--------------|--------------|------|
| Voltage     | Supply, $V_S = (V+) - (V-)$         | 7            |              | V    |
|             | Signal input pin <sup>(2)</sup>     | $(V-) - 0.5$ | $(V+) + 0.5$ |      |
| Current     | Signal input pin <sup>(2)</sup>     | ±10          |              | mA   |
|             | Output short-circuit <sup>(3)</sup> | Continuous   |              |      |
| Temperature | Operating, $T_A$                    | -40          | 125          | °C   |
|             | Junction, $T_J$                     | 150          |              |      |
|             | Storage, $T_{stg}$                  | -65          | 150          |      |

- (1) Stresses beyond those listed under *Absolute Maximum Ratings* may cause permanent damage to the device. These are stress ratings only, which do not imply functional operation of the device at these or any other conditions beyond those indicated under *Recommended Operating Conditions*. Exposure to absolute-maximum-rated conditions for extended periods may affect device reliability.
- (2) Input pins are diode-clamped to the power-supply rails. Input signals that can swing more than 0.5 V beyond the supply rails must be current-limited to 10 mA or less.
- (3) Short-circuit to ground, one amplifier per package.

### 7.2 ESD Ratings

|             |                         |  | VALUE | UNIT |
|-------------|-------------------------|--|-------|------|
| $V_{(ESD)}$ | Electrostatic discharge | Human-body model (HBM), per ANSI/ESDA/JEDEC JS-001 <sup>(1)</sup>              | ±2000 | V    |
|             |                         | Charged-device model (CDM), per JEDEC specification JESD22-C101 <sup>(2)</sup> | ±1000 |      |

- (1) JEDEC document JEP155 states that 500-V HBM allows safe manufacturing with a standard ESD control process.
- (2) JEDEC document JEP157 states that 250-V CDM allows safe manufacturing with a standard ESD control process.

### 7.3 Recommended Operating Conditions

over operating free-air temperature range (unless otherwise noted)

|       |                       | MIN           | NOM  | MAX   | UNIT |
|-------|-----------------------|---------------|------|-------|------|
| $V_S$ | Supply voltage        | Single supply | 1.8  | 5.5   | V    |
|       |                       | Dual supply   | ±0.9 | ±2.75 |      |
| $T_A$ | Operating temperature | -40           |      | 125   | °C   |

## 7.4 Thermal Information: TLV379

| THERMAL METRIC <sup>(1)</sup> |  | TLV379     |             |          | UNIT |
|-------------------------------|--|------------|-------------|----------|------|
|                               |  | DCK (SC70) | DBV (SOT23) | D (SOIC) |      |
|                               |  | 5 PINS     | 5 PINS      | 8 PINS   |      |
| $R_{\theta JA}$               | Junction-to-ambient thermal resistance       | 262.2      | 220.8       | 130.8    | °C/W |
| $R_{\theta JC(top)}$          | Junction-to-case (top) thermal resistance    | 99.7       | 148.3       | 77.2     | °C/W |
| $R_{\theta JB}$               | Junction-to-board thermal resistance         | 49.0       | 48.2        | 71.1     | °C/W |
| $\Psi_{JT}$                   | Junction-to-top characterization parameter   | 3.3        | 28.6        | 30.7     | °C/W |
| $\Psi_{JB}$                   | Junction-to-board characterization parameter | 18.2       | 47.3        | 70.6     | °C/W |
| $R_{\theta JC(bot)}$          | Junction-to-case (bottom) thermal resistance | n/a        | n/a         | n/a      | °C/W |

(1) For more information about traditional and new thermal metrics, see the [Semiconductor and IC Package Thermal Metrics](#) application report.

## 7.5 Thermal Information: TLV2379

| THERMAL METRIC <sup>(1)</sup> |  | TLV2379  | UNIT |
|-------------------------------|--|----------|------|
|                               |  | D (SOIC) |      |
|                               |  | 8 PINS   |      |
| $R_{\theta JA}$               | Junction-to-ambient thermal resistance       | 116.4    | °C/W |
| $R_{\theta JC(top)}$          | Junction-to-case (top) thermal resistance    | 59.5     | °C/W |
| $R_{\theta JB}$               | Junction-to-board thermal resistance         | 57.6     | °C/W |
| $\Psi_{JT}$                   | Junction-to-top characterization parameter   | 17.2     | °C/W |
| $\Psi_{JB}$                   | Junction-to-board characterization parameter | 57.0     | °C/W |
| $R_{\theta JC(bot)}$          | Junction-to-case (bottom) thermal resistance | n/a      | °C/W |

(1) For more information about traditional and new thermal metrics, see the [Semiconductor and IC Package Thermal Metrics](#) application report.

## 7.6 Thermal Information: TLV4379

| THERMAL METRIC <sup>(1)</sup> |  | TLV4379    | UNIT |
|-------------------------------|--|------------|------|
|                               |  | PW (TSSOP) |      |
|                               |  | 14 PINS    |      |
| $R_{\theta JA}$               | Junction-to-ambient thermal resistance       | 110.8      | °C/W |
| $R_{\theta JC(top)}$          | Junction-to-case (top) thermal resistance    | 35.2       | °C/W |
| $R_{\theta JB}$               | Junction-to-board thermal resistance         | 53.6       | °C/W |
| $\Psi_{JT}$                   | Junction-to-top characterization parameter   | 2.6        | °C/W |
| $\Psi_{JB}$                   | Junction-to-board characterization parameter | 52.9       | °C/W |
| $R_{\theta JC(bot)}$          | Junction-to-case (bottom) thermal resistance | n/a        | °C/W |

(1) For more information about traditional and new thermal metrics, see the [Semiconductor and IC Package Thermal Metrics](#) application report.

## 7.7 Electrical Characteristics: $V_S = 1.8\text{ V to }5.5\text{ V}$

 at  $T_A = 25^\circ\text{C}$ ,  $R_L = 25\text{ k}\Omega$  connected to  $V_S / 2$ , and  $V_{CM} < (V+) - 1\text{ V}$  (unless otherwise noted)

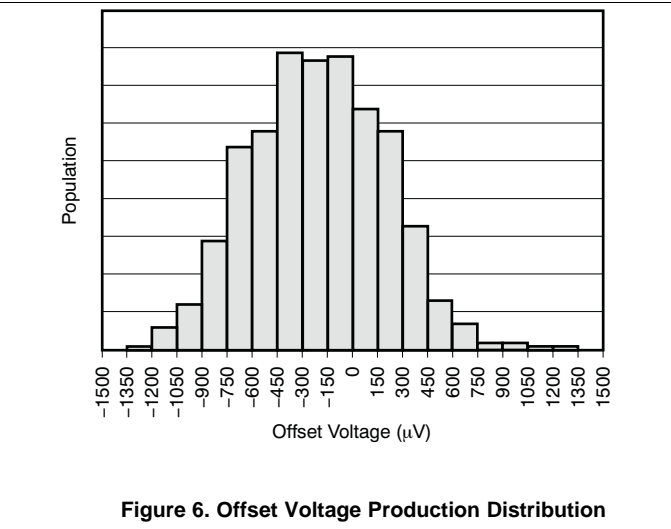
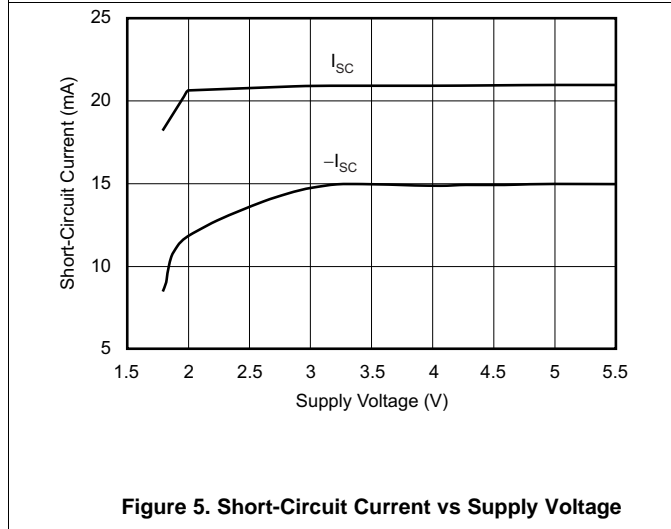
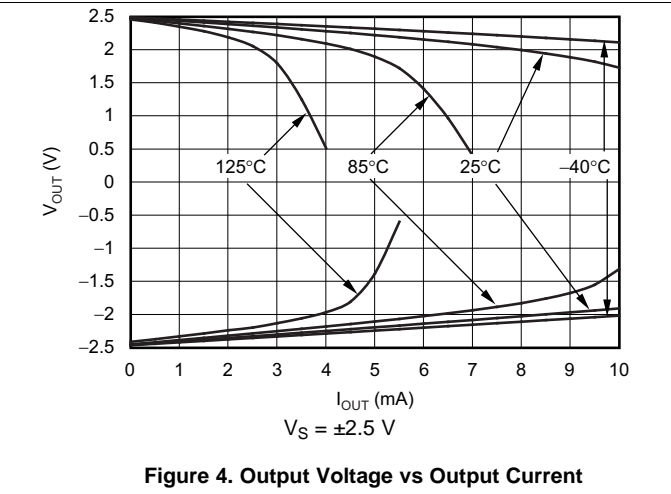
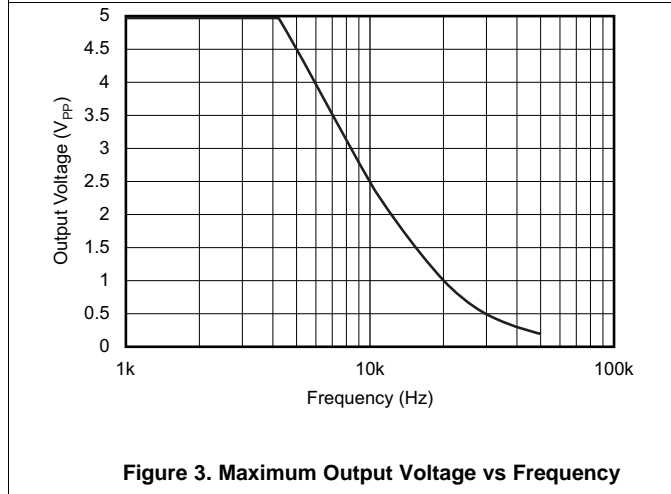
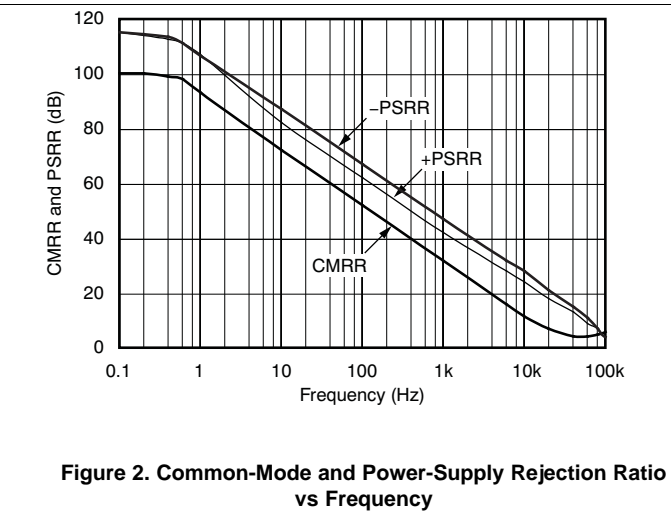
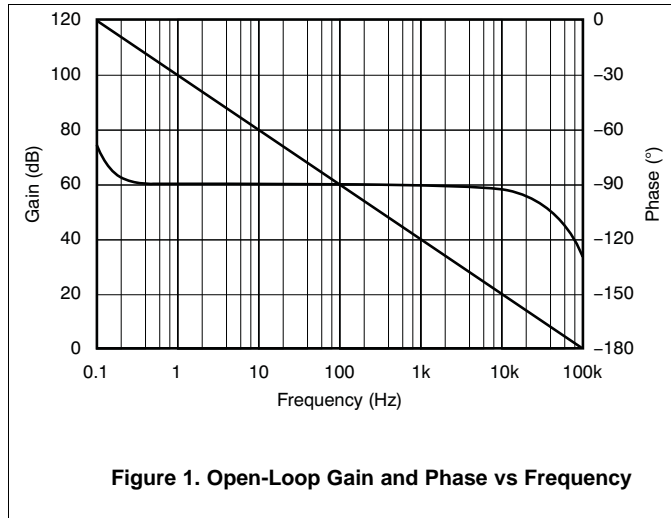
| PARAMETER  |  | TEST CONDITIONS   | MIN          | TYP   | MAX          | UNIT                         |
|--|--|---|--------------|---|--------------|------------------------------|
| <b>OFFSET VOLTAGE</b>  |  |   |              |   |              |                              |
| $V_{OS}$   | Input offset voltage                       | $V_S = 5\text{ V}$  |              | 0.8   | 2.5          | mV                           |
| $dV_{OS}/dT$   | $V_{OS}$ drift                             | $T_A = -40^\circ\text{C to }+125^\circ\text{C}$   |              | 3   |              | $\mu\text{V}/^\circ\text{C}$ |
| PSRR   | Power-supply rejection ratio               |   | 92           | 104   |              | dB                           |
| <b>INPUT VOLTAGE RANGE</b>                                       |  |   |              |   |              |                              |
| $V_{CM}$   | Common-mode voltage range                  |   | $(V-) - 0.1$ |   | $(V+) + 0.1$ | V                            |
| CMRR   | Common-mode rejection ratio <sup>(1)</sup> | $(V-) < V_{CM} < (V+) - 1\text{ V}$   | 85           | 100   |              | dB                           |
|  |  | $T_A = -40^\circ\text{C to }+125^\circ\text{C}$ ,<br>$(V-) < V_{CM} < (V+) - 1\text{ V}$        | 62           |   |              |                              |
| <b>INPUT BIAS CURRENT</b>  |  |   |              |   |              |                              |
| $I_{IB}$   | Input bias current                         | $V_S = 5\text{ V}$ , $V_{CM} \leq V_S / 2$  |              | $\pm 5$   |              | $\mu\text{A}$                |
| $I_{IO}$   | Input offset current                       | $V_S = 5\text{ V}$  |              | $\pm 5$   |              | $\mu\text{A}$                |
| <b>INPUT IMPEDANCE</b>   |  |   |              |   |              |                              |
|  | Differential                               |   |              | $10^{13} \parallel 3$                                     |              | $\Omega \parallel \text{pF}$ |
|  | Common-mode                                |   |              | $10^{13} \parallel 6$                                     |              | $\Omega \parallel \text{pF}$ |
| <b>NOISE</b>   |  |   |              |   |              |                              |
|  | Input voltage noise                        | $f = 0.1\text{ Hz to }10\text{ Hz}$   |              | 2.8   |              | $\mu\text{V}_{PP}$           |
| $e_n$  | Input voltage noise density                | $f = 1\text{ kHz}$  |              | 83  |              | $\text{nV}/\sqrt{\text{Hz}}$ |
| <b>OPEN-LOOP GAIN</b>  |  |   |              |   |              |                              |
| $A_{OL}$   | Open-loop voltage gain                     | $V_S = 5\text{ V}$ , $R_L = 5\text{ k}\Omega$ ,<br>$500\text{ mV} < V_O < (V+) - 500\text{ mV}$ | 90           | 110   |              | dB                           |
| <b>OUTPUT</b>  |  |   |              |   |              |                              |
|  | Voltage output swing from rail             | $R_L = 5\text{ k}\Omega$  |              | 25  | 50           | mV                           |
|  |  | $T_A = -40^\circ\text{C to }+125^\circ\text{C}$ , $R_L = 5\text{ k}\Omega$                      |              |   | 75           |                              |
| $I_{SC}$   | Short-circuit current                      |   |              | $\pm 5$   |              | mA                           |
| $C_{LOAD}$   | Capacitive load drive                      |   |              | See <a href="#">Capacitive Load and Stability</a> section |              |                              |
| $R_{OUT}$  | Closed-loop output impedance               | $G = 1$ , $f = 1\text{ kHz}$ , $I_O = 0$  |              | 10  |              | $\Omega$                     |
| $R_O$  | Open-loop output impedance                 | $f = 100\text{ kHz}$ , $I_O = 0$  |              | 28  |              | k $\Omega$                   |
| <b>FREQUENCY RESPONSE (<math>C_{LOAD} = 30\text{ pF}</math>)</b> |  |   |              |   |              |                              |
| GBW  | Gain bandwidth product                     |   |              | 90  |              | kHz                          |
| SR   | Slew rate                                  | $G = 1$   |              | 0.03  |              | V/ $\mu\text{s}$             |
|  | Overload recovery time                     | $V_{IN} \times \text{Gain} > V_S$   |              | 25  |              | $\mu\text{s}$                |
| $t_{ON}$   | Turn-on time                               |   |              | 1   |              | ms                           |
| <b>POWER SUPPLY</b>  |  |   |              |   |              |                              |
| $V_S$  | Specified, operating voltage range         |   | 1.8          |   | 5.5          | V                            |
| $I_Q$  | Quiescent current per amplifier            | $V_S = 5\text{ V}$ , $T_A = -40^\circ\text{C to }+125^\circ\text{C}$                            |              | 4   | 12           | $\mu\text{A}$                |
| <b>TEMPERATURE</b>   |  |   |              |   |              |                              |
| $T_A$  | Specified, operating range                 |   | -40          |   | 125          | $^\circ\text{C}$             |
| $T_{stg}$  | Storage range                              |   | -65          |   | 150          | $^\circ\text{C}$             |

 (1) See typical characteristic graph, *Common-Mode Rejection Ratio vs Frequency* (Figure 2).



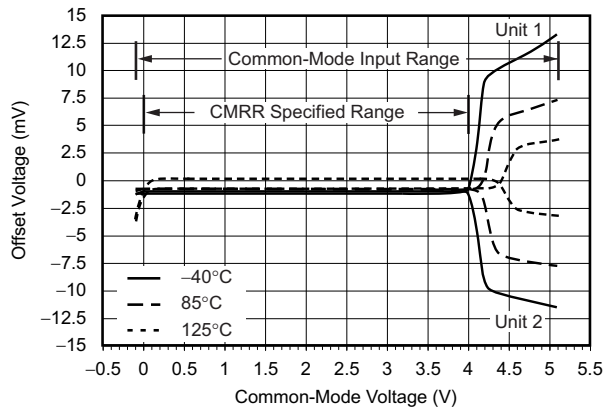
### 7.8 Typical Characteristics

at  $T_A = 25^\circ\text{C}$ ,  $V_S = 5\text{ V}$ , and  $R_L = 25\text{ k}\Omega$  connected to  $V_S / 2$  (unless otherwise noted)

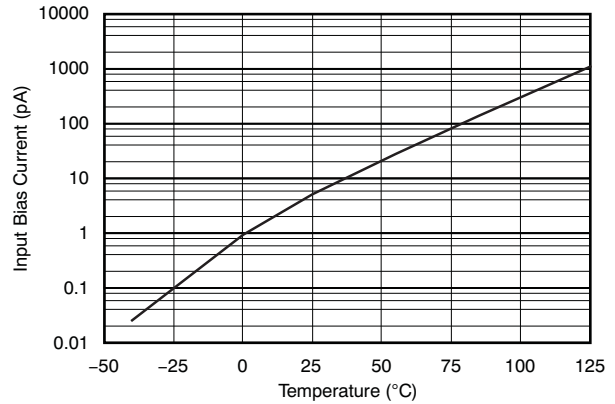


**Typical Characteristics (continued)**

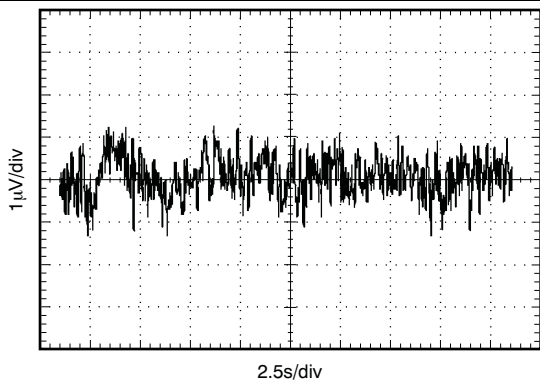
at  $T_A = 25^\circ\text{C}$ ,  $V_S = 5\text{ V}$ , and  $R_L = 25\text{ k}\Omega$  connected to  $V_S / 2$  (unless otherwise noted)



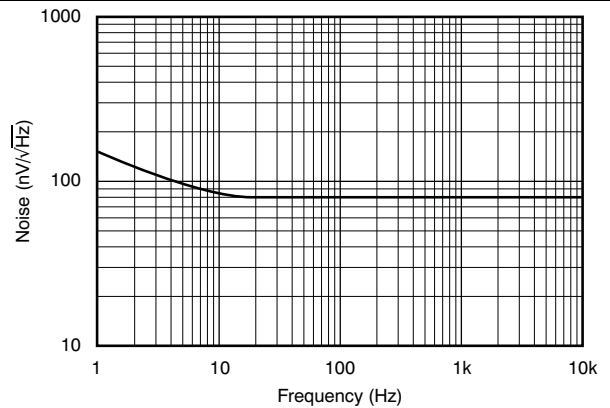
**Figure 7. Offset Voltage vs Common-Mode Voltage and Temperature**



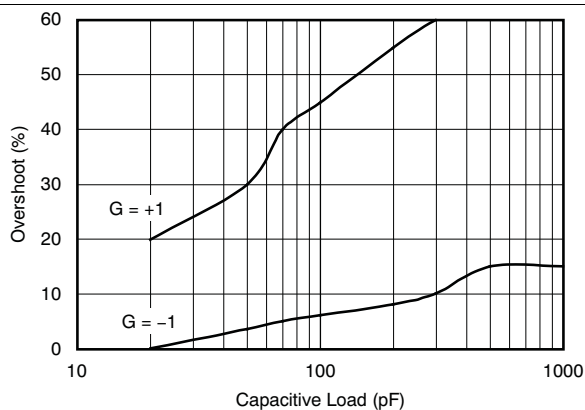
**Figure 8. Input Bias Current vs Temperature**



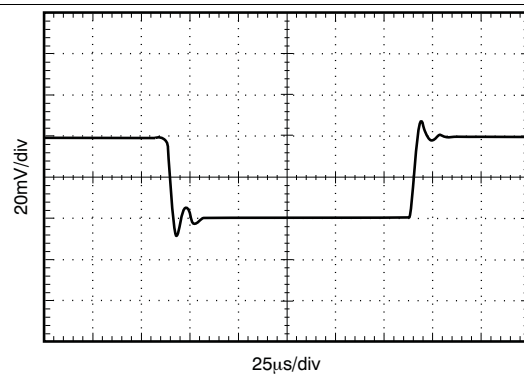
**Figure 9. 0.1-Hz to 10-Hz Noise**



**Figure 10. Noise vs Frequency**



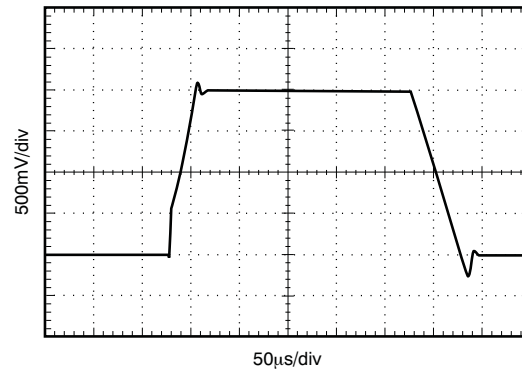
**Figure 11. Small-Signal Overshoot vs Capacitive Load**



**Figure 12. Small-Signal Step Response**

### Typical Characteristics (continued)

at  $T_A = 25^\circ\text{C}$ ,  $V_S = 5\text{ V}$ , and  $R_L = 25\text{ k}\Omega$  connected to  $V_S / 2$  (unless otherwise noted)



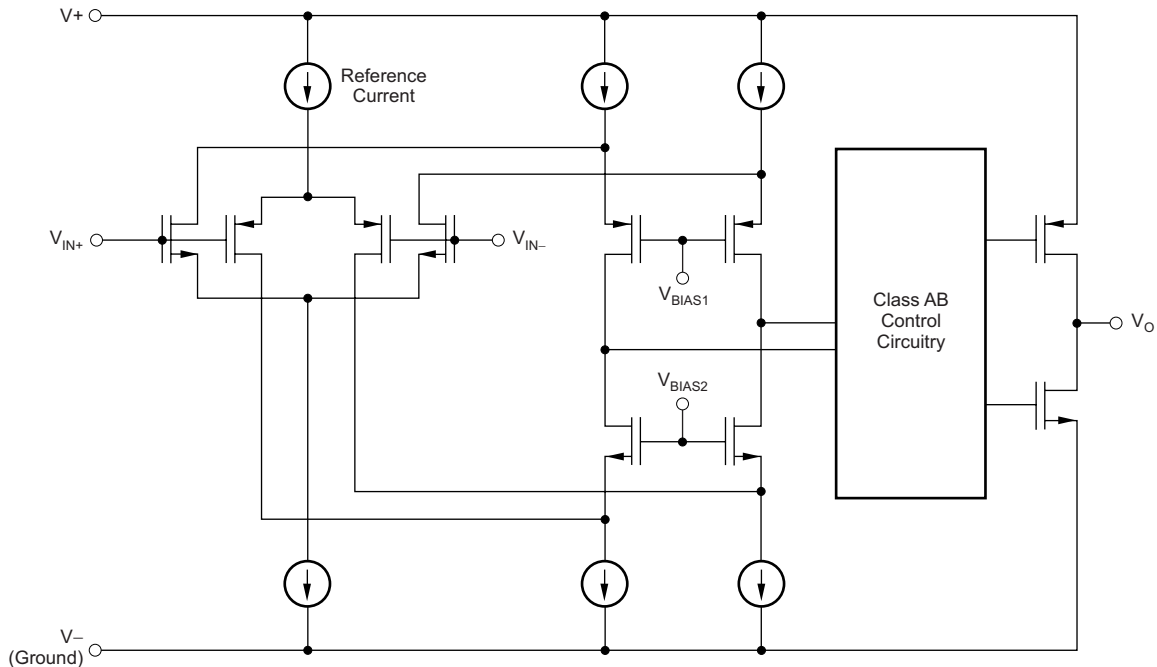
**Figure 13. Large-Signal Step Response**

## 8 Detailed Description

### 8.1 Overview

The TLV379 devices are a family of micropower, low-voltage, rail-to-rail input and output operational amplifiers designed for battery-powered applications. This family of amplifiers features impressive bandwidth (90 kHz), low bias current (5 pA), low noise (83 nV/√Hz), and consumes very low quiescent current of only 12 μA (maximum) per channel.

### 8.2 Functional Block Diagram



Copyright © 2016, Texas Instruments Incorporated

### 8.3 Feature Description

#### 8.3.1 Operating Voltage

The TLV379 series is fully specified and tested from 1.8 V to 5.5 V ( $\pm 0.9$  V to  $\pm 2.75$  V). Parameters that vary with supply voltage are illustrated in the [Typical Characteristics](#) section.

#### 8.3.2 Rail-to-Rail Input

The input common-mode voltage range of the TLV379 family typically extends 100 mV beyond each supply rail. This rail-to-rail input is achieved using a complementary input stage. CMRR is specified from the negative rail to 1 V below the positive rail. Between  $(V+) - 1$  V and  $(V+) + 0.1$  V, the amplifier operates with higher offset voltage because of the transition region of the input stage. See the typical characteristic graph, *Offset Voltage vs Common-Mode Voltage vs Temperature* ([Figure 7](#)).

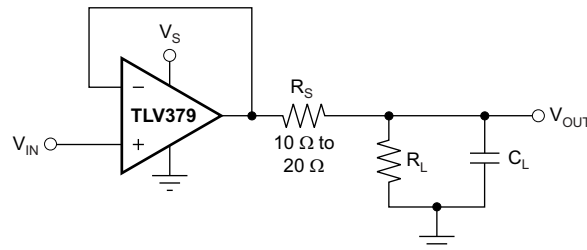
## Feature Description (continued)

### 8.3.3 Rail-to-Rail Output

Designed as a micropower, low-noise operational amplifier, the TLV379 delivers a robust output drive capability. A class AB output stage with common-source transistors is used to achieve full rail-to-rail output swing capability. For resistive loads up to 25 k $\Omega$ , the output typically swings to within 5 mV of either supply rail, regardless of the power-supply voltage applied.

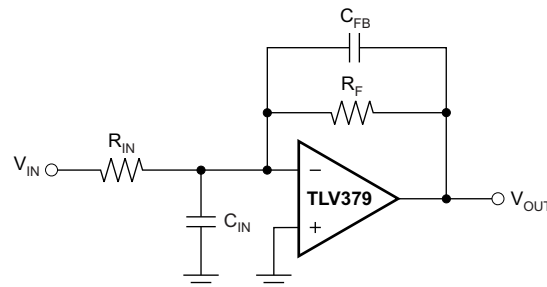
### 8.3.4 Capacitive Load and Stability

Follower configurations with load capacitance in excess of 30 pF can produce extra overshoot (see the typical characteristic graph, *Small-Signal Overshoot vs Capacitive Load*, Figure 11) and ringing in the output signal. Increasing the gain enhances the ability of the amplifier to drive greater capacitive loads. In unity-gain configurations, capacitive load drive can be improved by inserting a small (10  $\Omega$  to 20  $\Omega$ ) resistor,  $R_S$ , in series with the output as shown in Figure 14. This resistor significantly reduces ringing and maintains direct current (dc) performance for purely capacitive loads. However, if a resistive load is in parallel with the capacitive load, a voltage divider is created, introducing a dc error at the output and slightly reducing the output swing. The error introduced is proportional to the ratio of  $R_S / R_L$  and is generally negligible.



**Figure 14. Series Resistor in Unity-Gain Buffer Configuration Improves Capacitive Load Drive**

In unity-gain inverter configuration, phase margin can be reduced by the reaction between the capacitance at the operational amplifier (op amp) input and the gain-setting resistors. Best performance is achieved by using smaller-value resistors. However, when large-value resistors cannot be avoided, a small (4 pF to 6 pF) capacitor ( $C_{FB}$ ) can be inserted in the feedback, as shown in Figure 15. This configuration significantly reduces overshoot by compensating the effect of capacitance ( $C_{IN}$ ) that includes the amplifier input capacitance (3 pF) and printed circuit board (PCB) parasitic capacitance.



**Figure 15. Improving Stability for Large  $R_F$  and  $R_{IN}$**

## 8.4 Device Functional Modes

The TLV379 family has a single functional mode. These devices are powered on as long as the power-supply voltage is between 1.8 V ( $\pm 0.9$  V) and 5.5 V ( $\pm 2.75$  V).

## 9 Application and Implementation

### NOTE

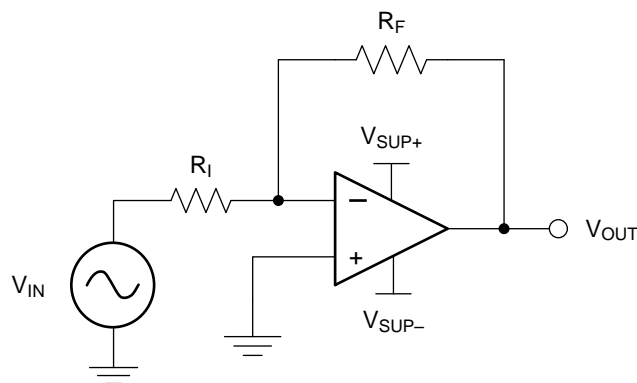
Information in the following applications sections is not part of the TI component specification, and TI does not warrant its accuracy or completeness. TI's customers are responsible for determining suitability of components for their purposes. Customers should validate and test their design implementation to confirm system functionality.

### 9.1 Application Information

When designing for ultra-low power, choose system components carefully. To minimize current consumption, select large-value resistors. Any resistors can react with stray capacitance in the circuit and the input capacitance of the operational amplifier. These parasitic RC combinations can affect the stability of the overall system. Use of a feedback capacitor assures stability and limits overshoot or gain peaking.

### 9.2 Typical Application

A typical application for an operational amplifier is an inverting amplifier, as shown in [Figure 16](#). An inverting amplifier takes a positive voltage on the input and outputs a signal inverted to the input, making a negative voltage of the same magnitude. In the same manner, the amplifier also makes negative input voltages positive on the output. In addition, amplification can be added by selecting the input resistor  $R_I$  and the feedback resistor  $R_F$ .



Copyright © 2016, Texas Instruments Incorporated

**Figure 16. Application Schematic**

#### 9.2.1 Design Requirements

The supply voltage must be chosen to be larger than the input voltage range and the desired output range. The limits of the input common-mode range ( $V_{CM}$ ) and the output voltage swing to the rails ( $V_O$ ) must also be considered. For instance, this application scales a signal of  $\pm 0.5$  V (1 V) to  $\pm 1.8$  V (3.6 V). Setting the supply at  $\pm 2.5$  V is sufficient to accommodate this application.

#### 9.2.2 Detailed Design Procedure

Determine the gain required by the inverting amplifier using [Equation 1](#) and [Equation 2](#):

$$A_V = \frac{V_{OUT}}{V_{IN}} \tag{1}$$

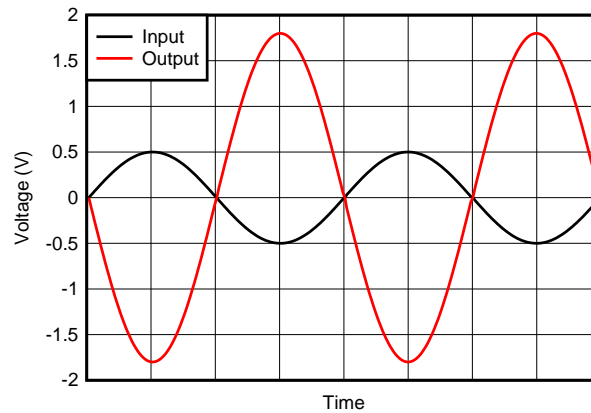
$$A_V = \frac{1.8}{-0.5} = -3.6 \tag{2}$$

### Typical Application (continued)

When the desired gain is determined, choose a value for  $R_1$  or  $R_F$ . Choosing a value in the kilohm range is desirable for general-purpose applications because the amplifier circuit uses currents in the milliamp range. This milliamp current range ensures the device does not draw too much current. The trade-off is that very large resistors (100s of kilohms) draw the smallest current but generate the highest noise. Very small resistors (100s of ohms) generate low noise but draw high current. This example uses 10 k $\Omega$  for  $R_1$ , meaning 36 k $\Omega$  is used for  $R_F$ . These values are determined by Equation 3:

$$A_V = -\frac{R_F}{R_1} \tag{3}$$

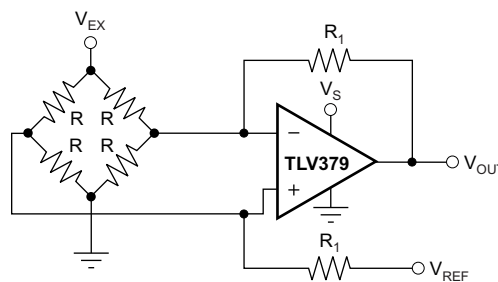
### 9.2.3 Application Curve



**Figure 17. Inverting Amplifier Input and Output**

### 9.3 System Examples

Figure 18 shows the basic configuration for a bridge amplifier using the TLV379.



**Figure 18. Single Op Amp Bridge Amplifier**

**System Examples (continued)**

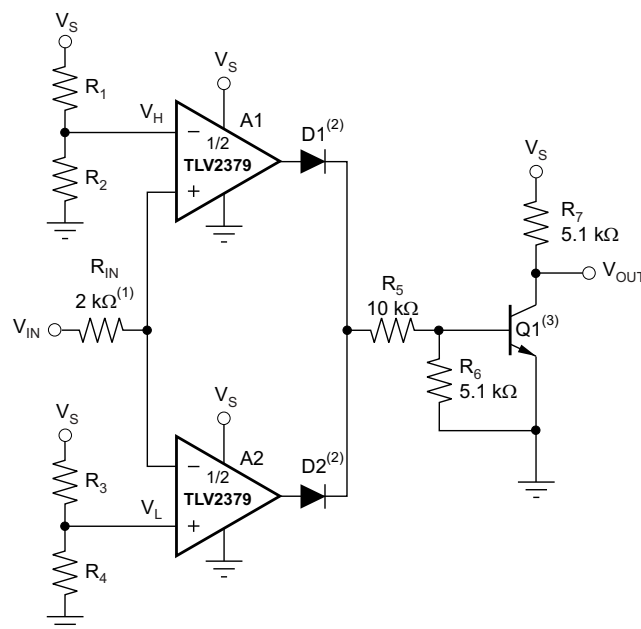
Figure 19 shows the TLV2379 used as a window comparator. The threshold limits are set by  $V_H$  and  $V_L$ , with  $V_H > V_L$ . When  $V_{IN} < V_H$ , the output of A1 is low. When  $V_{IN} > V_L$ , the output of A2 is low. Therefore, both op amp outputs are at 0 V as long as  $V_{IN}$  is between  $V_H$  and  $V_L$ . This architecture results in no current flowing through either diode, Q1 in cutoff, with the base voltage at 0 V, and  $V_{OUT}$  forced high.

If  $V_{IN}$  falls below  $V_L$ , the output of A2 is high, current flows through D2, and  $V_{OUT}$  is low. Likewise, if  $V_{IN}$  rises above  $V_H$ , the output of A1 is high, current flows through D1, and  $V_{OUT}$  is low.

The window comparator threshold voltages are set using Equation 4 and Equation 5.

$$V_H = \frac{R_2}{R_1 + R_2} \times V_S \quad (4)$$

$$V_L = \frac{R_4}{R_3 + R_4} \times V_S \quad (5)$$



- (1)  $R_{IN}$  protects A1 and A2 from possible excess current flow.
- (2) IN4446 or equivalent diodes.
- (3) 2N2222 or equivalent NPN transistor.

**Figure 19. TLV2379 as a Window Comparator**



## 10 Power Supply Recommendations

The TLV379 family is specified for operation from 1.8 V to 5.5 V ( $\pm 0.9$  V to  $\pm 2.75$  V); many specifications apply from  $-40^{\circ}\text{C}$  to  $+125^{\circ}\text{C}$ . The [Typical Characteristics](#) section presents parameters that can exhibit significant variance with regard to operating voltage or temperature.

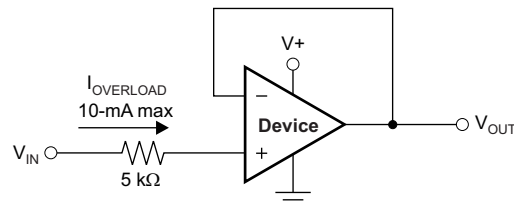
### CAUTION

Supply voltages larger than 7 V can permanently damage the device (see the [Absolute Maximum Ratings](#) table).

Place 0.1- $\mu\text{F}$  bypass capacitors close to the power-supply pins to reduce errors coupling in from noisy or high-impedance power supplies. For more detailed information on bypass capacitor placement; see the [Layout Guidelines](#) section.

### 10.1 Input and ESD Protection

The TLV379 family incorporates internal electrostatic discharge (ESD) protection circuits on all pins. In the case of input and output pins, this protection primarily consists of current-steering diodes connected between the input and power-supply pins. These ESD protection diodes also provide in-circuit, input overdrive protection, as long as the current is limited to 10 mA as stated in the [Absolute Maximum Ratings](#) table. [Figure 20](#) shows how a series input resistor can be added to the driven input to limit the input current. The added resistor contributes thermal noise at the amplifier input that must be kept to a minimum in noise-sensitive applications.



**Figure 20. Input Current Protection**

## 11 Layout

### 11.1 Layout Guidelines

For best operational performance of the device, use good printed circuit board (PCB) layout practices, including:

- Noise can propagate into analog circuitry through the power pins of the circuit as a whole and the operational amplifier. Use bypass capacitors to reduce the coupled noise by providing low-impedance power sources local to the analog circuitry.
  - Connect low-ESR, 0.1- $\mu$ F ceramic bypass capacitors between each supply pin and ground, placed as close as possible to the device. A single bypass capacitor from V+ to ground is applicable for single-supply applications.
- Separate grounding for analog and digital portions of the circuitry is one of the simplest and most effective methods of noise suppression. One or more layers on multilayer PCBs are usually devoted to ground planes. A ground plane helps distribute heat and reduces EMI noise pickup. Make sure to physically separate digital and analog grounds, paying attention to the flow of the ground current. For more detailed information, see *Circuit Board Layout Techniques*, [SLOA089](#).
- To reduce parasitic coupling, run the input traces as far away from the supply or output traces as possible. If these traces cannot be kept separate, crossing the sensitive trace perpendicularly is much better than crossing in parallel with the noisy trace.
- Place the external components as close as possible to the device. Keep  $R_F$  and  $R_G$  close to the inverting input in order to minimize parasitic capacitance, as shown in [Figure 21](#).
- Keep the length of input traces as short as possible. Always remember that the input traces are the most sensitive part of the circuit.
- Consider a driven, low-impedance guard ring around the critical traces. A guard ring can significantly reduce leakage currents from nearby traces that are at different potentials.

### 11.2 Layout Example

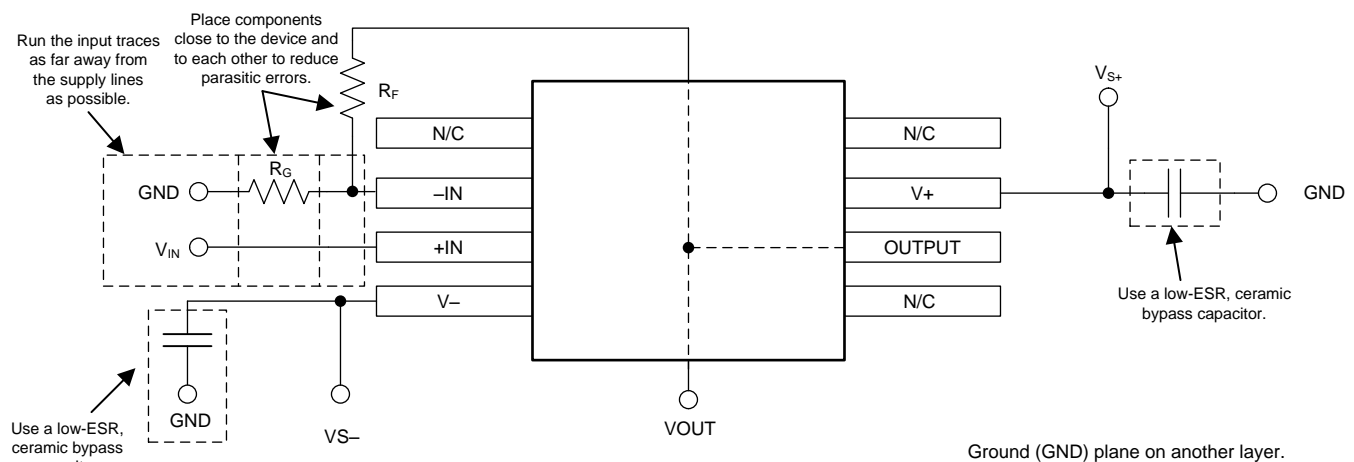


Figure 21. Operational Amplifier Board Layout for Noninverting Configuration

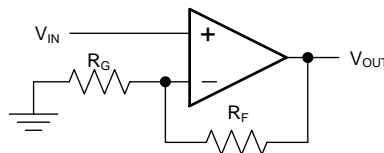


Figure 22. Schematic Representation of [Figure 21](#)

## 12 器件和文档支持

### 12.1 文档支持

#### 12.1.1 相关文档

相关文档如下：

- 《运算放大器的 *EMI* 抑制比》（文献编号：SBOA128）
- 《电路板布局布线技巧》（文献编号：SLOA089）
- 《*QFN/SOP PCB* 连接》（文献编号：SLUA271）
- 《四方扁平无引线逻辑器件封装》（文献编号：SCBA017）

### 12.2 相关链接

**表 1** 列出了快速访问链接。类别包括技术文档、支持与社区资源、工具和软件，以及申请样片或购买产品的快速链接。

**表 1. 相关链接**

| 器件      | 产品文件夹                 | 样片与购买                 | 技术文档                  | 工具和软件                 | 支持和社区                 |
|---------|-----------------------|-----------------------|-----------------------|-----------------------|-----------------------|
| TLV379  | <a href="#">请单击此处</a> | <a href="#">请单击此处</a> | <a href="#">请单击此处</a> | <a href="#">请单击此处</a> | <a href="#">请单击此处</a> |
| TLV2379 | <a href="#">请单击此处</a> | <a href="#">请单击此处</a> | <a href="#">请单击此处</a> | <a href="#">请单击此处</a> | <a href="#">请单击此处</a> |
| TLV4379 | <a href="#">请单击此处</a> | <a href="#">请单击此处</a> | <a href="#">请单击此处</a> | <a href="#">请单击此处</a> | <a href="#">请单击此处</a> |

### 12.3 接收文档更新通知

要接收文档更新通知，请导航至 [TI.com](http://TI.com) 上的器件产品文件夹。请单击右上角的 *通知我* 进行注册，即可收到所有的产品更改信息每周摘要。有关更改的详细信息，请查看任何已修订文档中包含的修订历史记录。

### 12.4 社区资源

下列链接提供到 TI 社区资源的连接。链接的内容由各个分销商“按照原样”提供。这些内容并不构成 TI 技术规范，并且不一定反映 TI 的观点；请参阅 TI 的 [《使用条款》](#)。

**TI E2E™ 在线社区** *TI 的工程师对工程师 (E2E) 社区*。此社区的创建目的在于促进工程师之间的协作。在 [e2e.ti.com](http://e2e.ti.com) 中，您可以咨询问题、分享知识、拓展思路并与同行工程师一道帮助解决问题。

**设计支持** *TI 参考设计支持* 可帮助您快速查找有帮助的 E2E 论坛、设计支持工具以及技术支持的联系信息。

### 12.5 商标

E2E is a trademark of Texas Instruments.  
All other trademarks are the property of their respective owners.

### 12.6 静电放电警告



ESD 可能会损坏该集成电路。德州仪器 (TI) 建议通过适当的预防措施处理所有集成电路。如果不遵守正确的处理措施和安装程序，可能会损坏集成电路。

ESD 的损坏小至导致微小的性能降级，大至整个器件故障。精密的集成电路可能更容易受到损坏，这是因为非常细微的参数更改都可能会导致器件与其发布的规格不相符。

### 12.7 Glossary

**SLYZ022** — *TI Glossary*.

This glossary lists and explains terms, acronyms, and definitions.

## 13 机械、封装和可订购信息

以下页面包含机械、封装和可订购信息。这些信息是指定器件的最新可用数据。这些数据如有变更，恕不另行通知和修订此文档。如欲获取此数据表的浏览器版本，请参阅左侧的导航。

**PACKAGING INFORMATION**

| Orderable Device | Status<br>(1) | Package Type | Package Drawing | Pins | Package Qty | Eco Plan<br>(2) | Lead finish/<br>Ball material<br>(6) | MSL Peak Temp<br>(3) | Op Temp (°C) | Device Marking<br>(4/5) | Samples                 |
|------------------|---------------|--------------|-----------------|------|-------------|-----------------|--------------------------------------|----------------------|--------------|-------------------------|-------------------------|
| TLV2379IDR       | ACTIVE        | SOIC         | D               | 8    | 2500        | RoHS & Green    | NIPDAU                               | Level-2-260C-1 YEAR  | -40 to 125   | V2379                   | <a href="#">Samples</a> |
| TLV379IDBVR      | ACTIVE        | SOT-23       | DBV             | 5    | 3000        | RoHS & Green    | NIPDAU   SN                          | Level-2-260C-1 YEAR  | -40 to 125   | 12N                     | <a href="#">Samples</a> |
| TLV379IDBVT      | ACTIVE        | SOT-23       | DBV             | 5    | 250         | RoHS & Green    | NIPDAU   SN                          | Level-2-260C-1 YEAR  | -40 to 125   | 12N                     | <a href="#">Samples</a> |
| TLV379IDCKR      | ACTIVE        | SC70         | DCK             | 5    | 3000        | RoHS & Green    | NIPDAU                               | Level-2-260C-1 YEAR  | -40 to 125   | 12O                     | <a href="#">Samples</a> |
| TLV379IDCKT      | ACTIVE        | SC70         | DCK             | 5    | 250         | RoHS & Green    | NIPDAU                               | Level-2-260C-1 YEAR  | -40 to 125   | 12O                     | <a href="#">Samples</a> |
| TLV379IDR        | ACTIVE        | SOIC         | D               | 8    | 2500        | RoHS & Green    | NIPDAU                               | Level-2-260C-1 YEAR  | -40 to 125   | TLV<br>379              | <a href="#">Samples</a> |
| TLV4379IPWR      | ACTIVE        | TSSOP        | PW              | 14   | 2000        | RoHS & Green    | NIPDAU                               | Level-2-260C-1 YEAR  | -40 to 125   | TLV4379                 | <a href="#">Samples</a> |

(1) The marketing status values are defined as follows:

**ACTIVE:** Product device recommended for new designs.

**LIFEBUY:** TI has announced that the device will be discontinued, and a lifetime-buy period is in effect.

**NRND:** Not recommended for new designs. Device is in production to support existing customers, but TI does not recommend using this part in a new design.

**PREVIEW:** Device has been announced but is not in production. Samples may or may not be available.

**OBSOLETE:** TI has discontinued the production of the device.

(2) **RoHS:** TI defines "RoHS" to mean semiconductor products that are compliant with the current EU RoHS requirements for all 10 RoHS substances, including the requirement that RoHS substance do not exceed 0.1% by weight in homogeneous materials. Where designed to be soldered at high temperatures, "RoHS" products are suitable for use in specified lead-free processes. TI may reference these types of products as "Pb-Free".

**RoHS Exempt:** TI defines "RoHS Exempt" to mean products that contain lead but are compliant with EU RoHS pursuant to a specific EU RoHS exemption.

**Green:** TI defines "Green" to mean the content of Chlorine (Cl) and Bromine (Br) based flame retardants meet JS709B low halogen requirements of <=1000ppm threshold. Antimony trioxide based flame retardants must also meet the <=1000ppm threshold requirement.

(3) MSL, Peak Temp. - The Moisture Sensitivity Level rating according to the JEDEC industry standard classifications, and peak solder temperature.

(4) There may be additional marking, which relates to the logo, the lot trace code information, or the environmental category on the device.

(5) Multiple Device Markings will be inside parentheses. Only one Device Marking contained in parentheses and separated by a "~" will appear on a device. If a line is indented then it is a continuation of the previous line and the two combined represent the entire Device Marking for that device.

<sup>(6)</sup> Lead finish/Ball material - Orderable Devices may have multiple material finish options. Finish options are separated by a vertical ruled line. Lead finish/Ball material values may wrap to two lines if the finish value exceeds the maximum column width.

**Important Information and Disclaimer:**The information provided on this page represents TI's knowledge and belief as of the date that it is provided. TI bases its knowledge and belief on information provided by third parties, and makes no representation or warranty as to the accuracy of such information. Efforts are underway to better integrate information from third parties. TI has taken and continues to take reasonable steps to provide representative and accurate information but may not have conducted destructive testing or chemical analysis on incoming materials and chemicals. TI and TI suppliers consider certain information to be proprietary, and thus CAS numbers and other limited information may not be available for release.

In no event shall TI's liability arising out of such information exceed the total purchase price of the TI part(s) at issue in this document sold by TI to Customer on an annual basis.

**TAPE AND REEL INFORMATION**

**QUADRANT ASSIGNMENTS FOR PIN 1 ORIENTATION IN TAPE**


\*All dimensions are nominal

| Device      | Package Type | Package Drawing | Pins | SPQ  | Reel Diameter (mm) | Reel Width W1 (mm) | A0 (mm) | B0 (mm) | K0 (mm) | P1 (mm) | W (mm) | Pin1 Quadrant |
|-------------|--------------|-----------------|------|------|--------------------|--------------------|---------|---------|---------|---------|--------|---------------|
| TLV2379IDR  | SOIC         | D               | 8    | 2500 | 330.0              | 12.4               | 6.4     | 5.2     | 2.1     | 8.0     | 12.0   | Q1            |
| TLV379IDBVR | SOT-23       | DBV             | 5    | 3000 | 180.0              | 8.4                | 3.2     | 3.2     | 1.4     | 4.0     | 8.0    | Q3            |
| TLV379IDBVR | SOT-23       | DBV             | 5    | 3000 | 180.0              | 8.4                | 3.2     | 3.2     | 1.4     | 4.0     | 8.0    | Q3            |
| TLV379IDBVT | SOT-23       | DBV             | 5    | 250  | 180.0              | 8.4                | 3.2     | 3.2     | 1.4     | 4.0     | 8.0    | Q3            |
| TLV379IDBVT | SOT-23       | DBV             | 5    | 250  | 180.0              | 8.4                | 3.2     | 3.2     | 1.4     | 4.0     | 8.0    | Q3            |
| TLV379IDCKR | SC70         | DCK             | 5    | 3000 | 178.0              | 9.0                | 2.4     | 2.5     | 1.2     | 4.0     | 8.0    | Q3            |
| TLV379IDCKT | SC70         | DCK             | 5    | 250  | 178.0              | 9.0                | 2.4     | 2.5     | 1.2     | 4.0     | 8.0    | Q3            |
| TLV379IDR   | SOIC         | D               | 8    | 2500 | 330.0              | 12.4               | 6.4     | 5.2     | 2.1     | 8.0     | 12.0   | Q1            |
| TLV4379IPWR | TSSOP        | PW              | 14   | 2000 | 330.0              | 12.4               | 6.9     | 5.6     | 1.6     | 8.0     | 12.0   | Q1            |

## TAPE AND REEL BOX DIMENSIONS



\*All dimensions are nominal

| Device      | Package Type | Package Drawing | Pins | SPQ  | Length (mm) | Width (mm) | Height (mm) |
|-------------|--------------|-----------------|------|------|-------------|------------|-------------|
| TLV2379IDR  | SOIC         | D               | 8    | 2500 | 356.0       | 356.0      | 35.0        |
| TLV379IDBVR | SOT-23       | DBV             | 5    | 3000 | 210.0       | 185.0      | 35.0        |
| TLV379IDBVR | SOT-23       | DBV             | 5    | 3000 | 210.0       | 185.0      | 35.0        |
| TLV379IDBVT | SOT-23       | DBV             | 5    | 250  | 210.0       | 185.0      | 35.0        |
| TLV379IDBVT | SOT-23       | DBV             | 5    | 250  | 210.0       | 185.0      | 35.0        |
| TLV379IDCKR | SC70         | DCK             | 5    | 3000 | 180.0       | 180.0      | 18.0        |
| TLV379IDCKT | SC70         | DCK             | 5    | 250  | 180.0       | 180.0      | 18.0        |
| TLV379IDR   | SOIC         | D               | 8    | 2500 | 356.0       | 356.0      | 35.0        |
| TLV4379IPWR | TSSOP        | PW              | 14   | 2000 | 356.0       | 356.0      | 35.0        |



D0008A

# PACKAGE OUTLINE

SOIC - 1.75 mm max height

SMALL OUTLINE INTEGRATED CIRCUIT



NOTES:

1. Linear dimensions are in inches [millimeters]. Dimensions in parenthesis are for reference only. Controlling dimensions are in inches. Dimensioning and tolerancing per ASME Y14.5M.
2. This drawing is subject to change without notice.
3. This dimension does not include mold flash, protrusions, or gate burrs. Mold flash, protrusions, or gate burrs shall not exceed  $.006$  [0.15] per side.
4. This dimension does not include interlead flash.
5. Reference JEDEC registration MS-012, variation AA.



# EXAMPLE BOARD LAYOUT

D0008A

SOIC - 1.75 mm max height

SMALL OUTLINE INTEGRATED CIRCUIT



LAND PATTERN EXAMPLE  
 EXPOSED METAL SHOWN  
 SCALE:8X



SOLDER MASK DETAILS

4214825/C 02/2019

NOTES: (continued)

- 6. Publication IPC-7351 may have alternate designs.
- 7. Solder mask tolerances between and around signal pads can vary based on board fabrication site.

# EXAMPLE STENCIL DESIGN

D0008A

SOIC - 1.75 mm max height

SMALL OUTLINE INTEGRATED CIRCUIT



SOLDER PASTE EXAMPLE  
BASED ON .005 INCH [0.125 MM] THICK STENCIL  
SCALE:8X

4214825/C 02/2019

NOTES: (continued)

8. Laser cutting apertures with trapezoidal walls and rounded corners may offer better paste release. IPC-7525 may have alternate design recommendations.
9. Board assembly site may have different recommendations for stencil design.

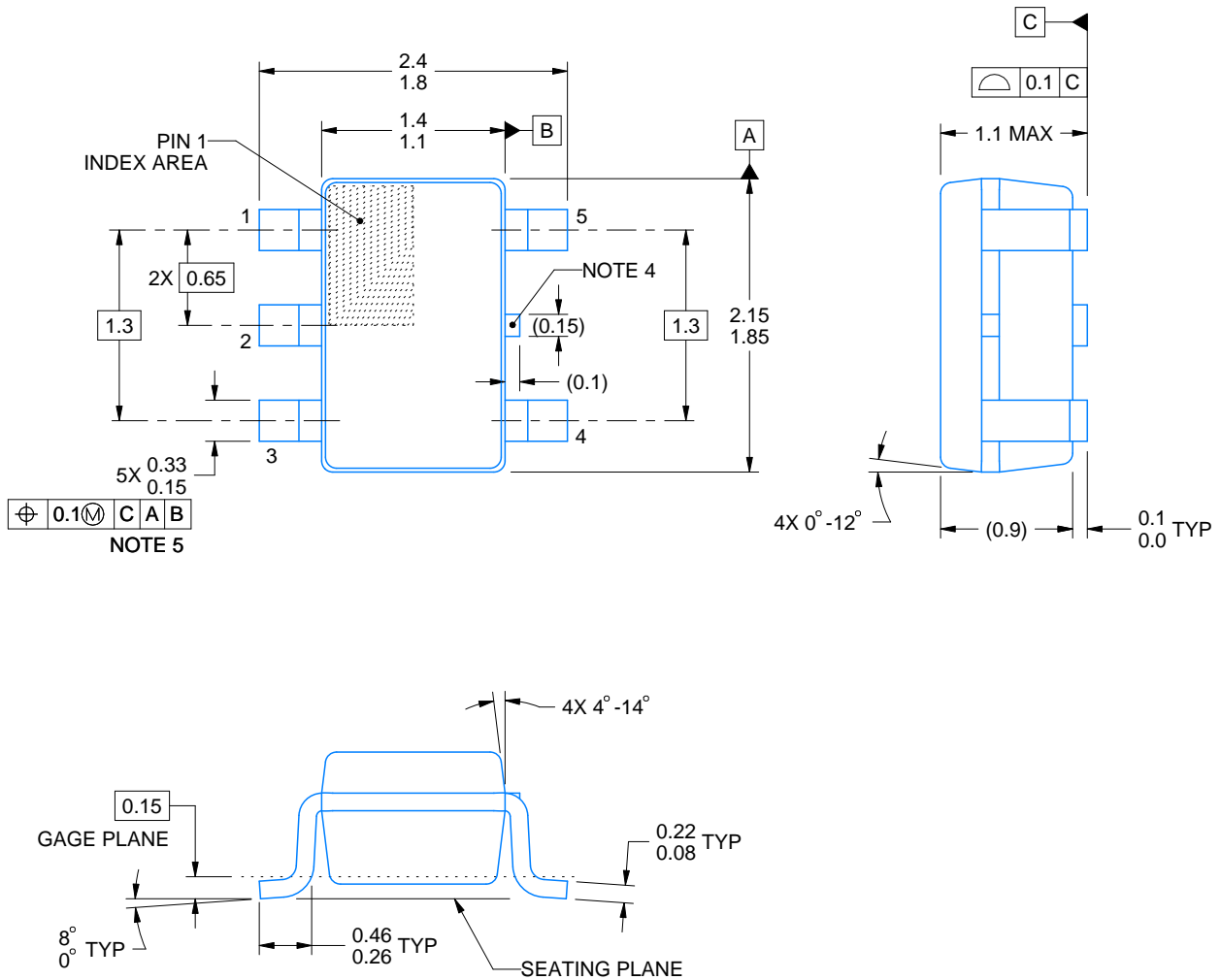
# DCK0005A



## PACKAGE OUTLINE

SOT - 1.1 max height

SMALL OUTLINE TRANSISTOR



4214834/F 08/2024

### NOTES:

1. All linear dimensions are in millimeters. Any dimensions in parenthesis are for reference only. Dimensioning and tolerancing per ASME Y14.5M.
2. This drawing is subject to change without notice.
3. Reference JEDEC MO-203.
4. Support pin may differ or may not be present.
5. Lead width does not comply with JEDEC.
6. Body dimensions do not include mold flash, protrusions, or gate burrs. Mold flash, protrusions, or gate burrs shall not exceed 0.25mm per side

# EXAMPLE BOARD LAYOUT

DCK0005A

SOT - 1.1 max height

SMALL OUTLINE TRANSISTOR



LAND PATTERN EXAMPLE  
EXPOSED METAL SHOWN  
SCALE:18X



SOLDER MASK DETAILS

4214834/F 08/2024

NOTES: (continued)

- 7. Publication IPC-7351 may have alternate designs.
- 8. Solder mask tolerances between and around signal pads can vary based on board fabrication site.

# EXAMPLE STENCIL DESIGN

DCK0005A

SOT - 1.1 max height

SMALL OUTLINE TRANSISTOR



SOLDER PASTE EXAMPLE  
BASED ON 0.125 THICK STENCIL  
SCALE: 18X

4214834/F 08/2024

NOTES: (continued)

9. Laser cutting apertures with trapezoidal walls and rounded corners may offer better paste release. IPC-7525 may have alternate design recommendations.
10. Board assembly site may have different recommendations for stencil design.

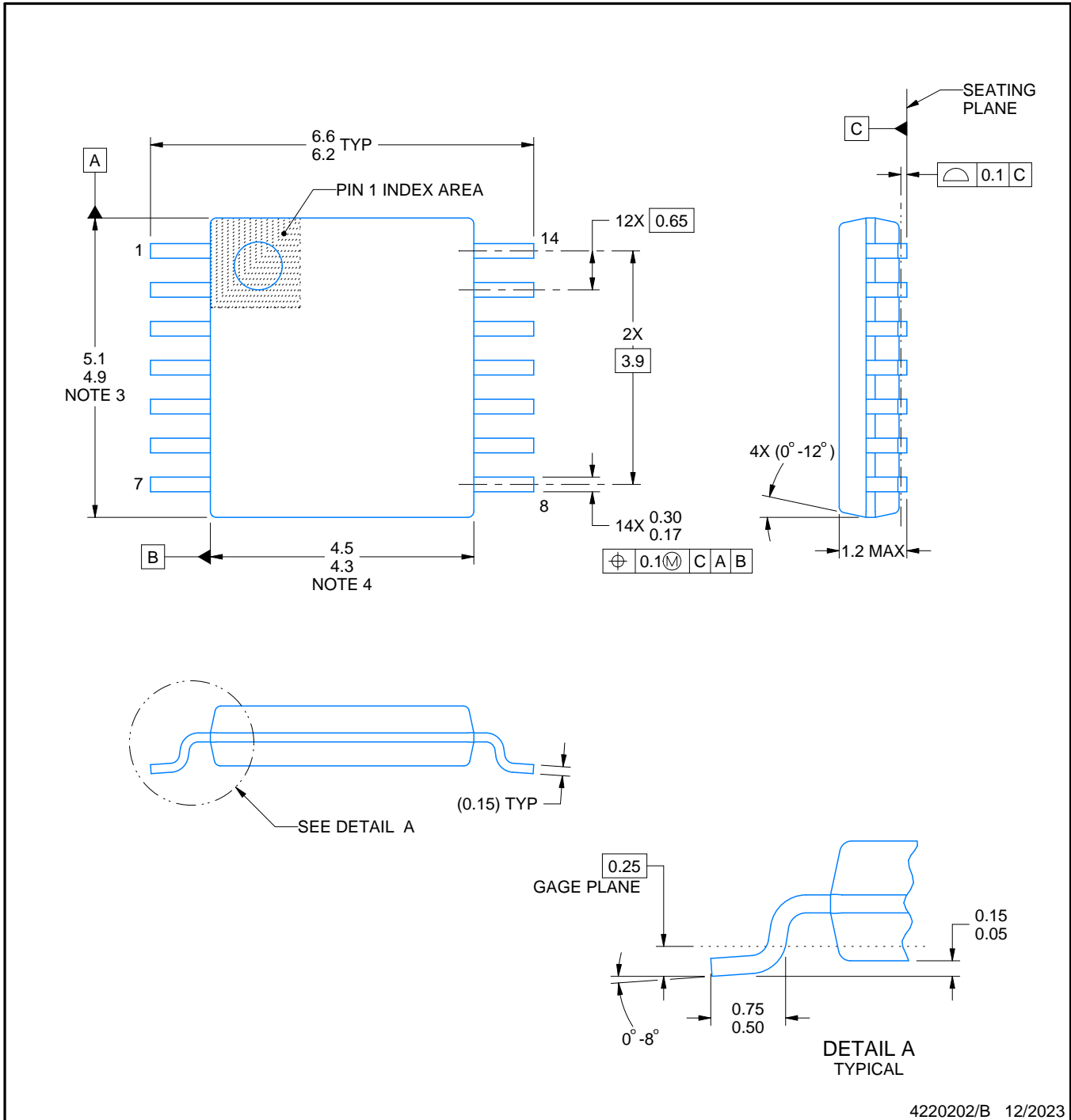
PW0014A



PACKAGE OUTLINE

TSSOP - 1.2 mm max height

SMALL OUTLINE PACKAGE



NOTES:

1. All linear dimensions are in millimeters. Any dimensions in parenthesis are for reference only. Dimensioning and tolerancing per ASME Y14.5M.
2. This drawing is subject to change without notice.
3. This dimension does not include mold flash, protrusions, or gate burrs. Mold flash, protrusions, or gate burrs shall not exceed 0.15 mm per side.
4. This dimension does not include interlead flash. Interlead flash shall not exceed 0.25 mm per side.
5. Reference JEDEC registration MO-153.

# EXAMPLE BOARD LAYOUT

PW0014A

TSSOP - 1.2 mm max height

SMALL OUTLINE PACKAGE



LAND PATTERN EXAMPLE  
EXPOSED METAL SHOWN  
SCALE: 10X



4220202/B 12/2023

NOTES: (continued)

- 6. Publication IPC-7351 may have alternate designs.
- 7. Solder mask tolerances between and around signal pads can vary based on board fabrication site.

# EXAMPLE STENCIL DESIGN

PW0014A

TSSOP - 1.2 mm max height

SMALL OUTLINE PACKAGE



SOLDER PASTE EXAMPLE  
BASED ON 0.125 mm THICK STENCIL  
SCALE: 10X

4220202/B 12/2023

NOTES: (continued)

8. Laser cutting apertures with trapezoidal walls and rounded corners may offer better paste release. IPC-7525 may have alternate design recommendations.
9. Board assembly site may have different recommendations for stencil design.



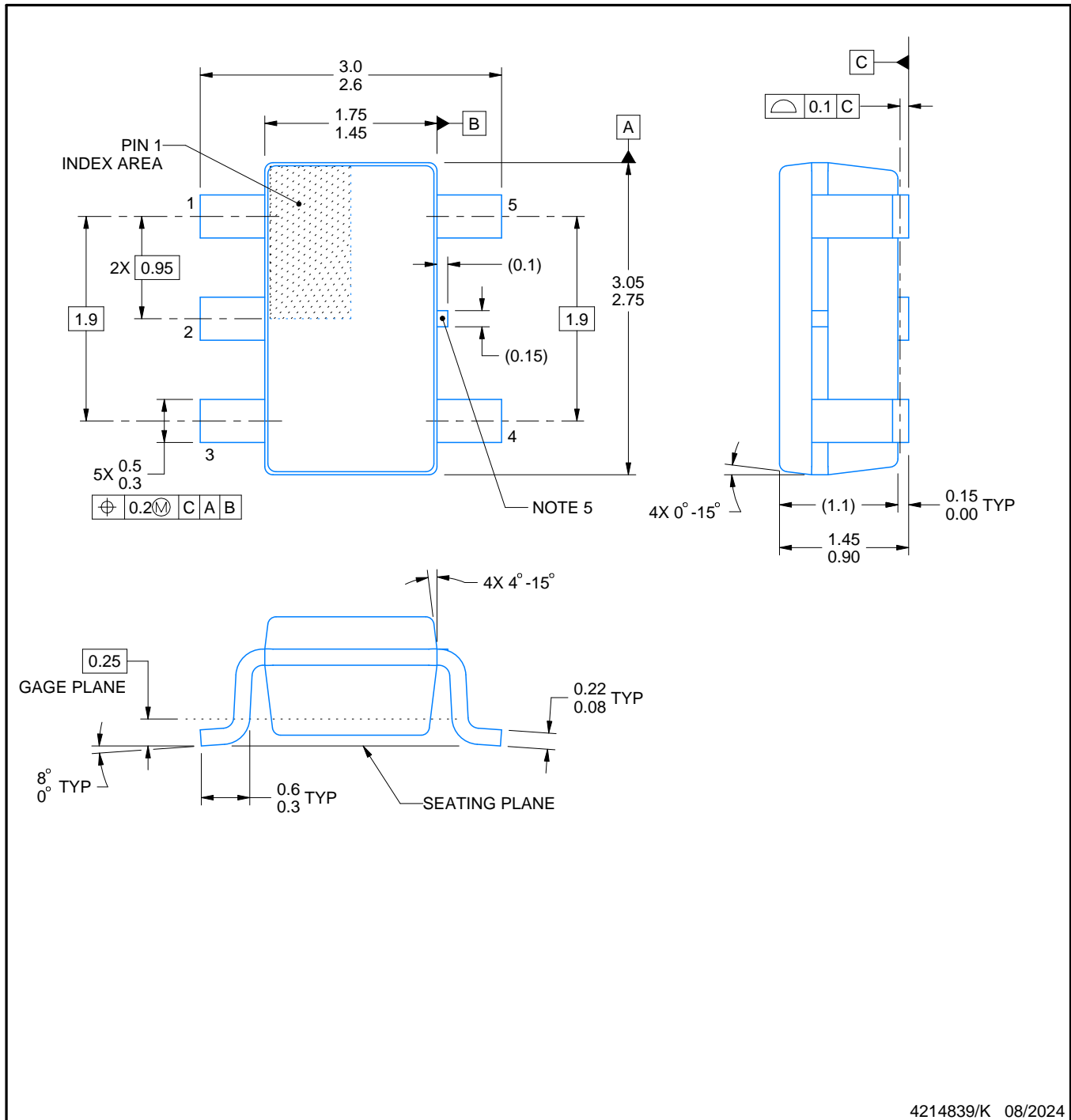
# DBV0005A



# PACKAGE OUTLINE

SOT-23 - 1.45 mm max height

SMALL OUTLINE TRANSISTOR



## NOTES:

1. All linear dimensions are in millimeters. Any dimensions in parenthesis are for reference only. Dimensioning and tolerancing per ASME Y14.5M.
2. This drawing is subject to change without notice.
3. Reference JEDEC MO-178.
4. Body dimensions do not include mold flash, protrusions, or gate burrs. Mold flash, protrusions, or gate burrs shall not exceed 0.25 mm per side.
5. Support pin may differ or may not be present.

# EXAMPLE BOARD LAYOUT

DBV0005A

SOT-23 - 1.45 mm max height

SMALL OUTLINE TRANSISTOR



LAND PATTERN EXAMPLE  
EXPOSED METAL SHOWN  
SCALE:15X



SOLDER MASK DETAILS

4214839/K 08/2024

NOTES: (continued)

- 6. Publication IPC-7351 may have alternate designs.
- 7. Solder mask tolerances between and around signal pads can vary based on board fabrication site.

# EXAMPLE STENCIL DESIGN

DBV0005A

SOT-23 - 1.45 mm max height

SMALL OUTLINE TRANSISTOR



SOLDER PASTE EXAMPLE  
BASED ON 0.125 mm THICK STENCIL  
SCALE:15X

4214839/K 08/2024

NOTES: (continued)

8. Laser cutting apertures with trapezoidal walls and rounded corners may offer better paste release. IPC-7525 may have alternate design recommendations.
9. Board assembly site may have different recommendations for stencil design.

## 重要声明和免责声明

TI“按原样”提供技术和可靠性数据（包括数据表）、设计资源（包括参考设计）、应用或其他设计建议、网络工具、安全信息和其他资源，不保证没有瑕疵且不做任何明示或暗示的担保，包括但不限于对适销性、某特定用途方面的适用性或不侵犯任何第三方知识产权的暗示担保。

这些资源可供使用 TI 产品进行设计的熟练开发人员使用。您将自行承担以下全部责任：(1) 针对您的应用选择合适的 TI 产品，(2) 设计、验证并测试您的应用，(3) 确保您的应用满足相应标准以及任何其他功能安全、信息安全、监管或其他要求。

这些资源如有变更，恕不另行通知。TI 授权您仅可将这些资源用于研发本资源所述的 TI 产品的应用。严禁对这些资源进行其他复制或展示。您无权使用任何其他 TI 知识产权或任何第三方知识产权。您应全额赔偿因在这些资源的使用中对 TI 及其代表造成的任何索赔、损害、成本、损失和债务，TI 对此概不负责。

TI 提供的产品受 [TI 的销售条款](#) 或 [ti.com](#) 上其他适用条款/TI 产品随附的其他适用条款的约束。TI 提供这些资源并不会扩展或以其他方式更改 TI 针对 TI 产品发布的适用的担保或担保免责声明。

TI 反对并拒绝您可能提出的任何其他或不同的条款。

邮寄地址：Texas Instruments, Post Office Box 655303, Dallas, Texas 75265

Copyright © 2024，德州仪器 (TI) 公司