

TMUX622x 具有 1.8V 逻辑器件的 36V、低 RON、1:1 (SPST)、2 沟道开关

1 特性

- 双电源电压范围：±4.5V 至 ±18 V
- 单电源电压范围：4.5V 至 36 V
- 低导通电阻：2.1 Ω
- -40°C 至 +125°C 工作温度
- 兼容 1.8V 逻辑电平
- 逻辑引脚具有集成的下拉电阻器
- 失效防护逻辑
- 轨到轨运行
- 双向运行

2 应用

- 有线网络
- 远程无线电单元
- 患者监护和诊断
- 超声波扫描仪
- 光学测试设备
- 光纤网络
- 工厂自动化和工业控制
- 可编程逻辑控制器 (PLC)
- 模拟输入模块
- 交流充电 (桩) 站
- 半导体测试
- 数据采集系统
- 燃气表
- 流量变送器

3 说明

TMUX622x 是互补金属氧化物半导体 (CMOS) 开关，采用双通道 1:1 (SPST) 配置。该器件支持单电源 (4.5V 至 36 V)、双电源 (±4.5V 至 ±18 V) 或非对称电源 (例如， $V_{DD} = 12V$ ， $V_{SS} = -5V$)。TMUX622x 可在源极 (Sx) 和漏极 (D) 引脚上支持从 V_{SS} 到 V_{DD} 范围的双向模拟和数字信号。

TMUX622x 可以通过控制 SEL 引脚打开信号路径 1 (S1 至 D1) 或信号路径 2 (S2 至 D2) 来启用或禁用。所有逻辑控制输入均支持 1.8V 到 V_{DD} 的逻辑电平，当器件在有效电源电压范围内运行时，可实现 TTL 和 CMOS 逻辑兼容性。失效防护逻辑电路允许先在控制引脚上施加电压，然后在电源引脚上施加电压，从而保护器件免受潜在的损害。

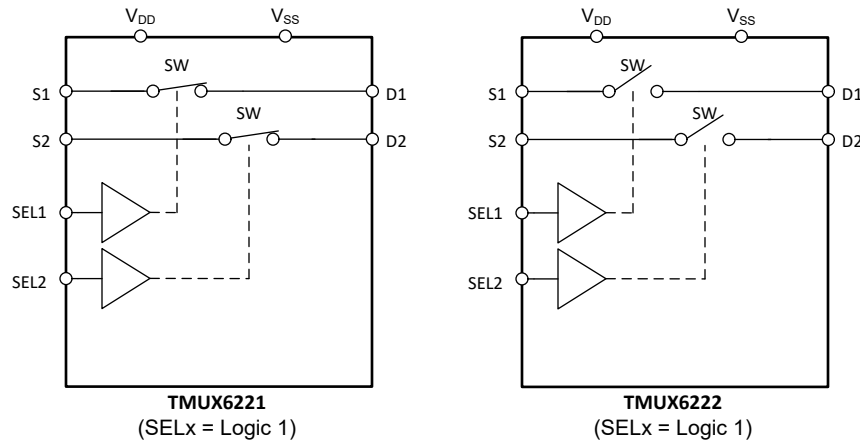
TMUX622x 是精密开关和多路复用器系列器件。这些器件具有非常低的导通和关断漏电流 (50pA)，因此可用于高精度测量应用。

封装信息

器件型号	封装 ⁽¹⁾	封装尺寸 ⁽²⁾
TMUX6221 TMUX6222	DGS (VSSOP, 10)	3mm × 4.9mm

(1) 有关更多信息，请参阅节 11

(2) 封装尺寸 (长 × 宽) 为标称值，并包括引脚 (如适用)。



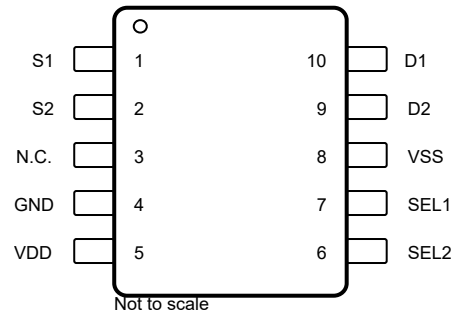
方框图



Table of Contents

1 特性	1	6.8 Off Isolation.....	22
2 应用	1	6.9 Crosstalk.....	23
3 说明	1	6.10 Bandwidth.....	23
4 Pin Configuration and Functions	3	6.11 THD + Noise.....	24
5 Specifications	4	6.12 Power Supply Rejection Ratio (PSRR).....	24
5.1 Absolute Maximum Ratings.....	4	7 Detailed Description	25
5.2 ESD Ratings.....	4	7.1 Overview.....	25
5.3 Thermal Information.....	5	7.2 Functional Block Diagram.....	25
5.4 Recommended Operating Conditions.....	5	7.3 Feature Description.....	25
5.5 Source or Drain Continuous Current.....	5	7.4 Device Functional Modes.....	27
5.6 ±15 V Dual Supply: Electrical Characteristics	6	7.5 Truth Tables.....	27
5.7 ±15 V Dual Supply: Switching Characteristics	7	8 Application and Implementation	28
5.8 36 V Single Supply: Electrical Characteristics	8	8.1 Application Information.....	28
5.9 36 V Single Supply: Switching Characteristics	9	8.2 Typical Applications.....	28
5.10 12 V Single Supply: Electrical Characteristics	10	8.3 Power Supply Recommendations.....	30
5.11 12 V Single Supply: Switching Characteristics	11	8.4 Layout.....	30
5.12 ±5 V Dual Supply: Electrical Characteristics	12	9 Device and Documentation Support	32
5.13 ±5 V Dual Supply: Switching Characteristics	13	9.1 Documentation Support.....	32
5.14 Typical Characteristics.....	14	9.2 Receiving Notification of Documentation Updates....	32
6 Parameter Measurement Information	19	9.3 支持资源.....	32
6.1 On-Resistance.....	19	9.4 Trademarks.....	32
6.2 Off-Leakage Current.....	19	9.5 静电放电警告.....	32
6.3 On-Leakage Current.....	20	9.6 术语表.....	32
6.4 $t_{ON(EN)}$ and $t_{OFF(EN)}$	20	10 Revision History	32
6.5 $t_{ON(VDD)}$ Time.....	21	11 Mechanical, Packaging, and Orderable Information	33
6.6 Propagation Delay.....	21		
6.7 Charge Injection.....	22		

4 Pin Configuration and Functions



**图 4-1. DGS Package,
10-Pin VSSOP
(Top View)**

表 4-1. Pin Functions

PIN		TYPE ⁽¹⁾	DESCRIPTION ⁽²⁾
NAME	NO.		
S1	1	I/O	Source pin 1. Can be an input or output.
S2	2	I/O	Source pin 2. Can be an input or output.
N.C.	3	—	No internal connection. Can be shorted to GND or left floating.
GND	4	P	Ground (0 V) reference
V _{DD}	5	P	Positive power supply. This pin is the most positive power-supply potential. For reliable operation, connect a decoupling capacitor ranging from 0.1 μ F to 10 μ F between V _{DD} and GND.
SEL2	6	I	Logic control input, has internal pull-down resistor. Controls the switch connection. For more information, see 节 7.5 .
SEL1	7	I	Logic control input, has internal pull-down resistor. Controls the switch connection. For more information, see 节 7.5 .
V _{SS}	8	P	Negative power supply. This pin is the most negative power-supply potential. In single-supply applications, this pin can be connected to ground. For reliable operation, connect a decoupling capacitor ranging from 0.1 μ F to 10 μ F between V _{SS} and GND.
D2	9	I/O	Drain pin 2. Can be an input or output.
D1	10	I/O	Drain pin 1. Can be an input or output.

(1) I = input, O = output, I/O = input and output, P = power.

(2) For what to do with unused pins, refer to [节 7.4](#).

5 Specifications

5.1 Absolute Maximum Ratings

over operating free-air temperature range (unless otherwise noted)^{(1) (2)}

		MIN	MAX	UNIT
$V_{DD} - V_{SS}$	Supply voltage		38	V
V_{DD}		- 0.5	38	V
V_{SS}		- 38	0.5	V
V_{SEL} or V_{EN}	Logic control input pin voltage (SELx)	- 0.5	38	V
I_{SEL} or I_{EN}	Logic control input pin current (SELx)	- 30	30	mA
V_S or V_D	Source or drain voltage (Sx, Dx)	$V_{SS} - 0.5$	$V_{DD} + 0.5$	V
I_{IK}	Diode clamp current ⁽³⁾	- 30	30	mA
I_S or I_D (CONT)	Source or drain continuous current (Sx, Dx)		$I_{DC} + 10\%$ ⁽⁴⁾	mA
T_A	Ambient temperature	- 55	150	°C
T_{stg}	Storage temperature	- 65	150	°C
T_J	Junction temperature		150	°C
P_{tot}	Total power dissipation (VSSOP) ⁽⁵⁾		450	mW

- (1) Operation outside the *Absolute Maximum Rating* may cause permanent device damage. *Absolute Maximum Rating* do not imply functional operation of the device at these or any other conditions beyond those listed under *Recommended Operating Condition*. If used outside the *Recommended Operating Condition* but within the *Absolute Maximum Rating*, the device may not be fully functional, and this may affect device reliability, functionality, performance, and shorten the device lifetime.
- (2) All voltages are with respect to ground, unless otherwise specified.
- (3) Pins are diode-clamped to the power-supply rails. Over voltage signals must be voltage and current limited to maximum ratings.
- (4) Refer to *Source or Drain Continuous Current* table for I_{DC} specifications.
- (5) For VSSOP package: P_{tot} derates linearly above $T_A = 70^\circ\text{C}$ by $6.7\text{mW}/^\circ\text{C}$.

5.2 ESD Ratings

		VALUE	UNIT
TMUX622x			
$V_{(ESD)}$	Electrostatic discharge	Human body model (HBM), per ANSI/ESDA/ JEDEC JS-001, all pins ⁽¹⁾	±2000
		Charged device model (CDM), per ANSI/ESDA/ JEDEC JS-002, all pins ⁽²⁾	±500

- (1) JEDEC document JEP155 states that 500-V HBM allows safe manufacturing with a standard ESD control process.
- (2) JEDEC document JEP157 states that 250-V CDM allows safe manufacturing with a standard ESD control process.

5.3 Thermal Information

THERMAL METRIC ⁽¹⁾		TMUX622x	
		DGS (VSSOP)	
		10 PINS	
			UNIT
$R_{\theta JA}$	Junction-to-ambient thermal resistance	154.3	°C/W
$R_{\theta JC(top)}$	Junction-to-case (top) thermal resistance	52.9	°C/W
$R_{\theta JB}$	Junction-to-board thermal resistance	75.3	°C/W
Ψ_{JT}	Junction-to-top characterization parameter	5.9	°C/W
Ψ_{JB}	Junction-to-board characterization parameter	73.9	°C/W
$R_{\theta JC(bot)}$	Junction-to-case (bottom) thermal resistance	N/A	°C/W

(1) For more information about traditional and new thermal metrics, see the [Semiconductor and IC Package Thermal Metrics](#) application report.

5.4 Recommended Operating Conditions

over operating free-air temperature range (unless otherwise noted)

		MIN	NOM	MAX	UNIT
$V_{DD} - V_{SS}$ ⁽¹⁾	Power supply voltage differential	4.5		36	V
V_{DD}	Positive power supply voltage	4.5		36	V
V_S or V_D	Signal path input/output voltage (source or drain pin) (Sx, D)	V_{SS}		V_{DD}	V
V_{SEL} or V_{EN}	Address or enable pin voltage	0		36	V
I_S or $I_D (CONT)$	Source or drain continuous current (Sx, D)			I_{DC} ⁽²⁾	mA
T_A	Ambient temperature	- 40		125	°C

(1) V_{DD} and V_{SS} can be any value as long as $4.5\text{ V} \leq (V_{DD} - V_{SS}) \leq 36\text{ V}$, and the minimum V_{DD} is met.

(2) Refer to *Source or Drain Continuous Current* table for I_{DC} specifications.

5.5 Source or Drain Continuous Current

at supply voltage of $V_{DD} \pm 10\%$, $V_{SS} \pm 10\%$ (unless otherwise noted)

CONTINUOUS CURRENT PER CHANNEL (I_{DC}) ⁽²⁾		$T_A = 25^\circ\text{C}$	$T_A = 85^\circ\text{C}$	$T_A = 125^\circ\text{C}$	UNIT
PACKAGE	TEST CONDITIONS				
DGS (VSSOP)	+36 V Single Supply ⁽¹⁾	360	250	130	mA
	±15 V Dual Supply	380	260	130	mA
	+12 V Single Supply	280	190	100	mA
	±5 V Dual Supply	240	160	90	mA

(1) Specified for nominal supply voltage only.

(2) Refer to Total power dissipation (P_{tot}) limits in *Absolute Maximum Ratings* table that must be followed with max continuous current specification.

5.6 ±15 V Dual Supply: Electrical Characteristics

$V_{DD} = +15\text{ V} \pm 10\%$, $V_{SS} = -15\text{ V} \pm 10\%$, GND = 0 V (unless otherwise noted)

Typical at $V_{DD} = +15\text{ V}$, $V_{SS} = -15\text{ V}$, $T_A = 25^\circ\text{C}$ (unless otherwise noted)

PARAMETER		TEST CONDITIONS	T_A	MIN	TYP	MAX	UNIT	
ANALOG SWITCH								
R_{ON}	On-resistance	$V_S = -10\text{ V to }+10\text{ V}$ $I_D = -10\text{ mA}$	25°C	2.1	2.9		Ω	
			-40°C to +85°C			3.8	Ω	
			-40°C to +125°C			4.5	Ω	
ΔR_{ON}	On-resistance mismatch between channels	$V_S = -10\text{ V to }+10\text{ V}$ $I_D = -10\text{ mA}$	25°C	0.05	0.25		Ω	
			-40°C to +85°C			0.3	Ω	
			-40°C to +125°C			0.35	Ω	
$R_{ON\ FLAT}$	On-resistance flatness	$V_S = -10\text{ V to }+10\text{ V}$ $I_S = -10\text{ mA}$	25°C	0.5	0.6		Ω	
			-40°C to +85°C			0.7	Ω	
			-40°C to +125°C			0.85	Ω	
$R_{ON\ DRIFT}$	On-resistance drift	$V_S = 0\text{ V}$, $I_S = -10\text{ mA}$	-40°C to +125°C	0.01			$\Omega/^\circ\text{C}$	
$I_{S(OFF)}$	Source off leakage current ⁽¹⁾	$V_{DD} = 16.5\text{ V}$, $V_{SS} = -16.5\text{ V}$ Switch state is off $V_S = +10\text{ V} / -10\text{ V}$ $V_D = -10\text{ V} / +10\text{ V}$	25°C	-0.15	0.05	0.15	nA	
			-40°C to +85°C			-1.6	1.6	nA
			-40°C to +125°C			-15	15	nA
$I_{D(OFF)}$	Drain off leakage current ⁽¹⁾	$V_{DD} = 16.5\text{ V}$, $V_{SS} = -16.5\text{ V}$ Switch state is off $V_S = +10\text{ V} / -10\text{ V}$ $V_D = -10\text{ V} / +10\text{ V}$	25°C	-0.15	0.05	0.15	nA	
			-40°C to +85°C			-1.6	1.6	nA
			-40°C to +125°C			-15	15	nA
$I_{S(ON)}$ $I_{D(ON)}$	Channel on leakage current ⁽²⁾	$V_{DD} = 16.5\text{ V}$, $V_{SS} = -16.5\text{ V}$ Switch state is on $V_S = V_D = \pm 10\text{ V}$	25°C	-0.15	0.05	0.15	nA	
			-40°C to +85°C			-1.6	1.6	nA
			-40°C to +125°C			-15	15	nA
LOGIC INPUTS (SEL / EN pins)								
V_{IH}	Logic voltage high		-40°C to +125°C	1.3		36	V	
V_{IL}	Logic voltage low		-40°C to +125°C	0		0.8	V	
I_{IH}	Input leakage current		-40°C to +125°C		1.5	2.5	μA	
I_{IL}	Input leakage current		-40°C to +125°C	-0.1	-0.005		μA	
C_{IN}	Logic input capacitance		-40°C to +125°C		3.5		pF	
POWER SUPPLY								
I_{DD}	V_{DD} supply current	$V_{DD} = 16.5\text{ V}$, $V_{SS} = -16.5\text{ V}$ Logic inputs = 0 V, 5 V, or V_{DD}	25°C		30	47	μA	
			-40°C to +85°C			55	μA	
			-40°C to +125°C			72	μA	
I_{SS}	V_{SS} supply current	$V_{DD} = 16.5\text{ V}$, $V_{SS} = -16.5\text{ V}$ Logic inputs = 0 V, 5 V, or V_{DD}	25°C		7	15	μA	
			-40°C to +85°C			20	μA	
			-40°C to +125°C			30	μA	

(1) When V_S is positive, V_D is negative, or when V_S is negative, V_D is positive.

(2) When V_S is at a voltage potential, V_D is floating, or when V_D is at a voltage potential, V_S is floating.

5.7 ±15 V Dual Supply: Switching Characteristics

$V_{DD} = +15\text{ V} \pm 10\%$, $V_{SS} = -15\text{ V} \pm 10\%$, $GND = 0\text{ V}$ (unless otherwise noted)

Typical at $V_{DD} = +15\text{ V}$, $V_{SS} = -15\text{ V}$, $T_A = 25^\circ\text{C}$ (unless otherwise noted)

PARAMETER		TEST CONDITIONS	T_A	MIN	TYP	MAX	UNIT
t_{ON}	Turn-on time from control input	$V_S = 10\text{ V}$ $R_L = 300\ \Omega$, $C_L = 35\text{ pF}$	25°C		145	180	ns
			-40°C to +85°C			190	ns
			-40°C to +125°C			200	ns
t_{OFF}	Turn-off time from control input	$V_S = 10\text{ V}$ $R_L = 300\ \Omega$, $C_L = 35\text{ pF}$	25°C		100	180	ns
			-40°C to +85°C			195	ns
			-40°C to +125°C			210	ns
$t_{ON(VDD)}$	Device turn on time (V_{DD} to output)	V_{DD} rise time = 1 μs $R_L = 300\ \Omega$, $C_L = 35\text{ pF}$	25°C		0.19		ms
			-40°C to +85°C			0.2	ms
			-40°C to +125°C			0.2	ms
t_{PD}	Propagation delay	$R_L = 50\ \Omega$, $C_L = 5\text{ pF}$	25°C		500		ps
Q_{INJ}	Charge injection	$V_S = 0\text{ V}$, $C_L = 100\text{ pF}$	25°C		-15		pC
O_{ISO}	Off-isolation	$R_L = 50\ \Omega$, $C_L = 5\text{ pF}$ $V_S = 0\text{ V}$, $f = 100\text{ kHz}$	25°C		-70		dB
O_{ISO}	Off-isolation	$R_L = 50\ \Omega$, $C_L = 5\text{ pF}$ $V_S = 0\text{ V}$, $f = 1\text{ MHz}$	25°C		-50		dB
X_{TALK}	Crosstalk	$R_L = 50\ \Omega$, $C_L = 5\text{ pF}$ $V_S = 0\text{ V}$, $f = 100\text{ kHz}$	25°C		-114		dB
X_{TALK}	Crosstalk	$R_L = 50\ \Omega$, $C_L = 5\text{ pF}$ $V_S = 0\text{ V}$, $f = 1\text{ MHz}$	25°C		-93		dB
BW	-3dB Bandwidth	$R_L = 50\ \Omega$, $C_L = 5\text{ pF}$ $V_S = 0\text{ V}$	25°C		45		MHz
I_L	Insertion loss	$R_L = 50\ \Omega$, $C_L = 5\text{ pF}$ $V_S = 0\text{ V}$, $f = 1\text{ MHz}$	25°C		-0.18		dB
ACPSRR	AC Power Supply Rejection Ratio	$V_{PP} = 0.62\text{ V}$ on V_{DD} and V_{SS} $R_L = 50\ \Omega$, $C_L = 5\text{ pF}$, $f = 1\text{ MHz}$	25°C		-71		dB
THD+N	Total Harmonic Distortion + Noise	$V_{PP} = 15\text{ V}$, $V_{BIAS} = 0\text{ V}$ $R_L = 10\text{ k}\Omega$, $C_L = 5\text{ pF}$, $f = 20\text{ Hz}$ to 20 kHz	25°C		0.0005		%
$C_{S(OFF)}$	Source off capacitance	$V_S = 0\text{ V}$, $f = 1\text{ MHz}$	25°C		25		pF
$C_{D(OFF)}$	Drain off capacitance	$V_S = 0\text{ V}$, $f = 1\text{ MHz}$	25°C		33		pF
$C_{S(ON)}$, $C_{D(ON)}$	On capacitance	$V_S = 0\text{ V}$, $f = 1\text{ MHz}$	25°C		120		pF

5.8 36 V Single Supply: Electrical Characteristics

$V_{DD} = +36\text{ V} \pm 10\%$, $V_{SS} = 0\text{ V}$, $GND = 0\text{ V}$ (unless otherwise noted)

Typical at $V_{DD} = +36\text{ V}$, $V_{SS} = 0\text{ V}$, $T_A = 25^\circ\text{C}$ (unless otherwise noted)

PARAMETER		TEST CONDITIONS	T_A	MIN	TYP	MAX	UNIT	
ANALOG SWITCH								
R_{ON}	On-resistance	$V_S = 0\text{ V to }30\text{ V}$ $I_D = -10\text{ mA}$	25°C		2.5	3.2	Ω	
			-40°C to +85°C			4.2	Ω	
			-40°C to +125°C			4.9	Ω	
ΔR_{ON}	On-resistance mismatch between channels	$V_S = 0\text{ V to }30\text{ V}$ $I_D = -10\text{ mA}$	25°C		0.1	0.22	Ω	
			-40°C to +85°C			0.25	Ω	
			-40°C to +125°C			0.31	Ω	
$R_{ON\ FLAT}$	On-resistance flatness	$V_S = 0\text{ V to }30\text{ V}$ $I_S = -10\text{ mA}$	25°C		0.3	1	Ω	
			-40°C to +85°C			1.5	Ω	
			-40°C to +125°C			2	Ω	
$R_{ON\ DRIFT}$	On-resistance drift	$V_S = 18\text{ V}$, $I_S = -10\text{ mA}$	-40°C to +125°C		0.009		$\Omega/^\circ\text{C}$	
$I_{S(OFF)}$	Source off leakage current ⁽¹⁾	$V_{DD} = 39.6\text{ V}$, $V_{SS} = 0\text{ V}$ Switch state is off $V_S = 30\text{ V} / 1\text{ V}$ $V_D = 1\text{ V} / 30\text{ V}$	25°C	-0.25	0.05	0.25	nA	
			-40°C to +85°C				3.5	nA
			-40°C to +125°C				26	nA
$I_{D(OFF)}$	Drain off leakage current ⁽¹⁾	$V_{DD} = 39.6\text{ V}$, $V_{SS} = 0\text{ V}$ Switch state is off $V_S = 30\text{ V} / 1\text{ V}$ $V_D = 1\text{ V} / 30\text{ V}$	25°C	-0.25	0.05	0.25	nA	
			-40°C to +85°C				3.5	nA
			-40°C to +125°C				26	nA
$I_{S(ON)}$ $I_{D(ON)}$	Channel on leakage current ⁽²⁾	$V_{DD} = 39.6\text{ V}$, $V_{SS} = 0\text{ V}$ Switch state is on $V_S = V_D = 30\text{ V}$ or 1 V	25°C	-0.25	0.05	0.25	nA	
			-40°C to +85°C				3.5	nA
			-40°C to +125°C				26	nA
LOGIC INPUTS (SEL / EN pins)								
V_{IH}	Logic voltage high		-40°C to +125°C	1.3		36	V	
V_{IL}	Logic voltage low		-40°C to +125°C	0		0.8	V	
I_{IH}	Input leakage current		-40°C to +125°C		0.5	2.75	μA	
I_{IL}	Input leakage current		-40°C to +125°C	-0.1	-0.005		μA	
C_{IN}	Logic input capacitance		-40°C to +125°C		3.5		pF	
POWER SUPPLY								
I_{DD}	V_{DD} supply current	$V_{DD} = 39.6\text{ V}$, $V_{SS} = 0\text{ V}$ Logic inputs = 0 V, 5 V, or V_{DD}	25°C		50	60	μA	
			-40°C to +85°C				70	μA
			-40°C to +125°C				87	μA

(1) When V_S is positive, V_D is negative, or when V_S is negative, V_D is positive.

(2) When V_S is at a voltage potential, V_D is floating, or when V_D is at a voltage potential, V_S is floating.

5.9 36 V Single Supply: Switching Characteristics

$V_{DD} = +36\text{ V} \pm 10\%$, $V_{SS} = 0\text{ V}$, $GND = 0\text{ V}$ (unless otherwise noted)

Typical at $V_{DD} = +36\text{ V}$, $V_{SS} = 0\text{ V}$, $T_A = 25^\circ\text{C}$ (unless otherwise noted)

PARAMETER		TEST CONDITIONS	T_A	MIN	TYP	MAX	UNIT
t_{ON}	Turn-on time from control input	$V_S = 18\text{ V}$ $R_L = 300\ \Omega$, $C_L = 35\text{ pF}$	25°C		110	180	ns
			-40°C to +85°C			190	ns
			-40°C to +125°C			200	ns
t_{OFF}	Turn-off time from control input	$V_S = 18\text{ V}$ $R_L = 300\ \Omega$, $C_L = 35\text{ pF}$	25°C		90	180	ns
			-40°C to +85°C			195	ns
			-40°C to +125°C			200	ns
$t_{ON(VDD)}$	Device turn on time (V_{DD} to output)	V_{DD} rise time = 1 μs $R_L = 300\ \Omega$, $C_L = 35\text{ pF}$	25°C		0.17		ms
			-40°C to +85°C			0.19	ms
			-40°C to +125°C			0.19	ms
t_{PD}	Propagation delay	$R_L = 50\ \Omega$, $C_L = 5\text{ pF}$	25°C		500		ps
Q_{INJ}	Charge injection	$V_S = 18\text{ V}$, $C_L = 100\text{ pF}$	25°C		-13		pC
O_{ISO}	Off-isolation	$R_L = 50\ \Omega$, $C_L = 5\text{ pF}$ $V_S = 6\text{ V}$, $f = 100\text{ kHz}$	25°C		-70		dB
O_{ISO}	Off-isolation	$R_L = 50\ \Omega$, $C_L = 5\text{ pF}$ $V_S = 6\text{ V}$, $f = 1\text{ MHz}$	25°C		-50		dB
X_{TALK}	Crosstalk	$R_L = 50\ \Omega$, $C_L = 5\text{ pF}$ $V_S = 6\text{ V}$, $f = 100\text{ kHz}$	25°C		-112		dB
X_{TALK}	Crosstalk	$R_L = 50\ \Omega$, $C_L = 5\text{ pF}$ $V_S = 6\text{ V}$, $f = 1\text{ MHz}$	25°C		-93		dB
BW	-3dB Bandwidth	$R_L = 50\ \Omega$, $C_L = 5\text{ pF}$ $V_S = 6\text{ V}$	25°C		45		MHz
I_L	Insertion loss	$R_L = 50\ \Omega$, $C_L = 5\text{ pF}$ $V_S = 6\text{ V}$, $f = 1\text{ MHz}$	25°C		-0.19		dB
ACPSRR	AC Power Supply Rejection Ratio	$V_{PP} = 0.62\text{ V}$ on V_{DD} and V_{SS} $R_L = 50\ \Omega$, $C_L = 5\text{ pF}$, $f = 1\text{ MHz}$	25°C		-71		dB
THD+N	Total Harmonic Distortion + Noise	$V_{PP} = 18\text{ V}$, $V_{BIAS} = 18\text{ V}$ $R_L = 10\text{ k}\Omega$, $C_L = 5\text{ pF}$, $f = 20\text{ Hz}$ to 20 kHz	25°C		0.0004		%
$C_{S(OFF)}$	Source off capacitance	$V_S = 18\text{ V}$, $f = 1\text{ MHz}$	25°C		26		pF
$C_{D(OFF)}$	Drain off capacitance	$V_S = 18\text{ V}$, $f = 1\text{ MHz}$	25°C		35		pF
$C_{S(ON)}$, $C_{D(ON)}$	On capacitance	$V_S = 18\text{ V}$, $f = 1\text{ MHz}$	25°C		120		pF

5.10 12 V Single Supply: Electrical Characteristics

$V_{DD} = +12\text{ V} \pm 10\%$, $V_{SS} = 0\text{ V}$, $GND = 0\text{ V}$ (unless otherwise noted)

Typical at $V_{DD} = +12\text{ V}$, $V_{SS} = 0\text{ V}$, $T_A = 25^\circ\text{C}$ (unless otherwise noted)

PARAMETER		TEST CONDITIONS	T_A	MIN	TYP	MAX	UNIT	
ANALOG SWITCH								
R_{ON}	On-resistance	$V_S = 0\text{ V to }10\text{ V}$ $I_D = -10\text{ mA}$	25°C	4.6		6	Ω	
			-40°C to +85°C			7.5	Ω	
			-40°C to +125°C			8.4	Ω	
ΔR_{ON}	On-resistance mismatch between channels	$V_S = 0\text{ V to }10\text{ V}$ $I_D = -10\text{ mA}$	25°C	0.08		0.2	Ω	
			-40°C to +85°C			0.32	Ω	
			-40°C to +125°C			0.35	Ω	
$R_{ON\ FLAT}$	On-resistance flatness	$V_S = 0\text{ V to }10\text{ V}$ $I_S = -10\text{ mA}$	25°C	1.2		2	Ω	
			-40°C to +85°C			2.2	Ω	
			-40°C to +125°C			2.4	Ω	
$R_{ON\ DRIFT}$	On-resistance drift	$V_S = 6\text{ V}$, $I_S = -10\text{ mA}$	-40°C to +125°C		0.017		$\Omega/^\circ\text{C}$	
$I_{S(OFF)}$	Source off leakage current ⁽¹⁾	$V_{DD} = 13.2\text{ V}$, $V_{SS} = 0\text{ V}$ Switch state is off $V_S = 10\text{ V} / 1\text{ V}$ $V_D = 1\text{ V} / 10\text{ V}$	25°C	-0.5	0.05	0.5	nA	
			-40°C to +85°C			-2	2	nA
			-40°C to +125°C			-12	12	nA
$I_{D(OFF)}$	Drain off leakage current ⁽¹⁾	$V_{DD} = 13.2\text{ V}$, $V_{SS} = 0\text{ V}$ Switch state is off $V_S = 10\text{ V} / 1\text{ V}$ $V_D = 1\text{ V} / 10\text{ V}$	25°C	-0.5	0.05	0.5	nA	
			-40°C to +85°C			-2	2	nA
			-40°C to +125°C			-12	12	nA
$I_{S(ON)}$ $I_{D(ON)}$	Channel on leakage current ⁽²⁾	$V_{DD} = 13.2\text{ V}$, $V_{SS} = 0\text{ V}$ Switch state is on $V_S = V_D = 10\text{ V or }1\text{ V}$	25°C	-0.5	0.05	0.5	nA	
			-40°C to +85°C			-2	2	nA
			-40°C to +125°C			-12	12	nA
LOGIC INPUTS (SEL / EN pins)								
V_{IH}	Logic voltage high		-40°C to +125°C	1.3		36	V	
V_{IL}	Logic voltage low		-40°C to +125°C	0		0.8	V	
I_{IH}	Input leakage current		-40°C to +125°C		0.5	2.5	μA	
I_{IL}	Input leakage current		-40°C to +125°C	-0.1	-0.005		μA	
C_{IN}	Logic input capacitance		-40°C to +125°C		3.5		pF	
POWER SUPPLY								
I_{DD}	V_{DD} supply current	$V_{DD} = 13.2\text{ V}$, $V_{SS} = 0\text{ V}$ Logic inputs = 0 V, 5 V, or V_{DD}	25°C		30	40	μA	
			-40°C to +85°C			50	μA	
			-40°C to +125°C			62	μA	

(1) When V_S is positive, V_D is negative, or when V_S is negative, V_D is positive.

(2) When V_S is at a voltage potential, V_D is floating, or when V_D is at a voltage potential, V_S is floating.

5.11 12 V Single Supply: Switching Characteristics

$V_{DD} = +12\text{ V} \pm 10\%$, $V_{SS} = 0\text{ V}$, $GND = 0\text{ V}$ (unless otherwise noted)

Typical at $V_{DD} = +12\text{ V}$, $V_{SS} = 0\text{ V}$, $T_A = 25^\circ\text{C}$ (unless otherwise noted)

PARAMETER		TEST CONDITIONS	T_A	MIN	TYP	MAX	UNIT
t_{ON}	Turn-on time from control input	$V_S = 8\text{ V}$ $R_L = 300\ \Omega$, $C_L = 35\text{ pF}$	25°C		120	180	ns
			-40°C to +85°C			210	ns
			-40°C to +125°C			230	ns
t_{OFF}	Turn-off time from control input	$V_S = 8\text{ V}$ $R_L = 300\ \Omega$, $C_L = 35\text{ pF}$	25°C		130	210	ns
			-40°C to +85°C			235	ns
			-40°C to +125°C			250	ns
$t_{ON(VDD)}$	Device turn on time (V_{DD} to output)	V_{DD} rise time = 1 μs $R_L = 300\ \Omega$, $C_L = 35\text{ pF}$	25°C		0.19		ms
			-40°C to +85°C			0.2	ms
			-40°C to +125°C			0.2	ms
t_{PD}	Propagation delay	$R_L = 50\ \Omega$, $C_L = 5\text{ pF}$	25°C		500		ps
Q_{INJ}	Charge injection	$V_S = 6\text{ V}$, $C_L = 100\text{ pF}$	25°C		-6		pC
O_{ISO}	Off-isolation	$R_L = 50\ \Omega$, $C_L = 5\text{ pF}$ $V_S = 6\text{ V}$, $f = 100\text{ kHz}$	25°C		-70		dB
O_{ISO}	Off-isolation	$R_L = 50\ \Omega$, $C_L = 5\text{ pF}$ $V_S = 6\text{ V}$, $f = 1\text{ MHz}$	25°C		-50		dB
X_{TALK}	Crosstalk	$R_L = 50\ \Omega$, $C_L = 5\text{ pF}$ $V_S = 6\text{ V}$, $f = 100\text{ kHz}$	25°C		-112		dB
X_{TALK}	Crosstalk	$R_L = 50\ \Omega$, $C_L = 5\text{ pF}$ $V_S = 6\text{ V}$, $f = 1\text{ MHz}$	25°C		-93		dB
BW	-3dB Bandwidth	$R_L = 50\ \Omega$, $C_L = 5\text{ pF}$ $V_S = 6\text{ V}$	25°C		60		MHz
I_L	Insertion loss	$R_L = 50\ \Omega$, $C_L = 5\text{ pF}$ $V_S = 6\text{ V}$, $f = 1\text{ MHz}$	25°C		-0.3		dB
ACPSRR	AC Power Supply Rejection Ratio	$V_{PP} = 0.62\text{ V}$ on V_{DD} and V_{SS} $R_L = 50\ \Omega$, $C_L = 5\text{ pF}$, $f = 1\text{ MHz}$	25°C		-76		dB
THD+N	Total Harmonic Distortion + Noise	$V_{PP} = 6\text{ V}$, $V_{BIAS} = 6\text{ V}$ $R_L = 10\text{ k}\Omega$, $C_L = 5\text{ pF}$, $f = 20\text{ Hz}$ to 20 kHz	25°C		0.0009		%
$C_{S(OFF)}$	Source off capacitance	$V_S = 6\text{ V}$, $f = 1\text{ MHz}$	25°C		30		pF
$C_{D(OFF)}$	Drain off capacitance	$V_S = 6\text{ V}$, $f = 1\text{ MHz}$	25°C		38		pF
$C_{S(ON)}$, $C_{D(ON)}$	On capacitance	$V_S = 6\text{ V}$, $f = 1\text{ MHz}$	25°C		110		pF

5.12 ±5 V Dual Supply: Electrical Characteristics

$V_{DD} = +5 V \pm 10\%$, $V_{SS} = -5 V \pm 10\%$, GND = 0 V (unless otherwise noted)

Typical at $V_{DD} = +5 V$, $V_{SS} = -5 V$, $T_A = 25^\circ C$ (unless otherwise noted)

PARAMETER		TEST CONDITIONS	T_A	MIN	TYP	MAX	UNIT	
ANALOG SWITCH								
R_{ON}	On-resistance	$V_{DD} = +4.5 V$, $V_{SS} = -4.5 V$ $V_S = -4.5 V$ to $+4.5 V$ $I_D = -10 mA$	25°C		4	7.2	Ω	
			-40°C to +85°C			8.6	Ω	
			-40°C to +125°C			10	Ω	
ΔR_{ON}	On-resistance mismatch between channels	$V_S = -4.5 V$ to $+4.5 V$ $I_D = -10 mA$	25°C		0.1	0.3	Ω	
			-40°C to +85°C			0.35	Ω	
			-40°C to +125°C			0.4	Ω	
$R_{ON\ FLAT}$	On-resistance flatness	$V_S = -4.5 V$ to $+4.5 V$ $I_D = -10 mA$	25°C		1.3	2.2	Ω	
			-40°C to +85°C			2.5	Ω	
			-40°C to +125°C			2.8	Ω	
$R_{ON\ DRIFT}$	On-resistance drift	$V_S = 0 V$, $I_S = -10 mA$	-40°C to +125°C		0.019		$\Omega/^\circ C$	
$I_{S(OFF)}$	Source off leakage current ⁽¹⁾	$V_{DD} = +5.5 V$, $V_{SS} = -5.5 V$ Switch state is off $V_S = +4.5 V / -4.5 V$ $V_D = -4.5 V / +4.5 V$	25°C	-0.25	0.05	0.25	nA	
			-40°C to +85°C		-1		1	nA
			-40°C to +125°C		-12		12	nA
$I_{D(OFF)}$	Drain off leakage current ⁽¹⁾	$V_{DD} = +5.5 V$, $V_{SS} = -5.5 V$ Switch state is off $V_S = +4.5 V / -4.5 V$ $V_D = -4.5 V / +4.5 V$	25°C	-0.25	0.05	0.25	nA	
			-40°C to +85°C		-1		1	nA
			-40°C to +125°C		-12		12	nA
$I_{S(ON)}$ $I_{D(ON)}$	Channel on leakage current ⁽²⁾	$V_{DD} = +5.5 V$, $V_{SS} = -5.5 V$ Switch state is on $V_S = V_D = \pm 4.5 V$	25°C	-0.25	0.05	0.25	nA	
			-40°C to +85°C		-1		1	nA
			-40°C to +125°C		-12		12	nA
LOGIC INPUTS (SEL / EN pins)								
V_{IH}	Logic voltage high		-40°C to +125°C	1.3		36	V	
V_{IL}	Logic voltage low		-40°C to +125°C	0		0.8	V	
I_{IH}	Input leakage current		-40°C to +125°C		0.5	2	μA	
I_{IL}	Input leakage current		-40°C to +125°C	-0.1	-0.005		μA	
C_{IN}	Logic input capacitance		-40°C to +125°C		3.5		pF	
POWER SUPPLY								
I_{DD}	V_{DD} supply current	$V_{DD} = +5.5 V$, $V_{SS} = -5.5 V$ Logic inputs = 0 V, 5 V, or V_{DD}	25°C		28	40	μA	
			-40°C to +85°C			50	μA	
			-40°C to +125°C			60	μA	
I_{SS}	V_{SS} supply current	$V_{DD} = +5.5 V$, $V_{SS} = -5.5 V$ Logic inputs = 0 V, 5 V, or V_{DD}	25°C		5	10	μA	
			-40°C to +85°C			12	μA	
			-40°C to +125°C			21	μA	

(1) When V_S is positive, V_D is negative, or when V_S is negative, V_D is positive.

(2) When V_S is at a voltage potential, V_D is floating, or when V_D is at a voltage potential, V_S is floating.

5.13 ±5 V Dual Supply: Switching Characteristics

$V_{DD} = +5\text{ V} \pm 10\%$, $V_{SS} = -5\text{ V} \pm 10\%$, $GND = 0\text{ V}$ (unless otherwise noted)

Typical at $V_{DD} = +5\text{ V}$, $V_{SS} = -5\text{ V}$, $T_A = 25^\circ\text{C}$ (unless otherwise noted)

PARAMETER		TEST CONDITIONS	T_A	MIN	TYP	MAX	UNIT
t_{ON}	Turn-on time from control input	$V_S = 3\text{ V}$ $R_L = 300\ \Omega$, $C_L = 35\text{ pF}$	25°C		220	300	ns
			-40°C to +85°C			350	ns
			-40°C to +125°C			380	ns
t_{OFF}	Turn-off time from control input	$V_S = 3\text{ V}$ $R_L = 300\ \Omega$, $C_L = 35\text{ pF}$	25°C		210	280	ns
			-40°C to +85°C			330	ns
			-40°C to +125°C			350	ns
$t_{ON(VDD)}$	Device turn on time (V_{DD} to output)	V_{DD} rise time = 1 μs $R_L = 300\ \Omega$, $C_L = 35\text{ pF}$	25°C		0.19		ms
			-40°C to +85°C			0.19	ms
			-40°C to +125°C			0.19	ms
t_{PD}	Propagation delay	$R_L = 50\ \Omega$, $C_L = 5\text{ pF}$	25°C		500		ps
Q_{INJ}	Charge injection	$V_S = 0\text{ V}$, $C_L = 100\text{ pF}$	25°C		-5		pC
O_{ISO}	Off-isolation	$R_L = 50\ \Omega$, $C_L = 5\text{ pF}$ $V_S = 0\text{ V}$, $f = 100\text{ kHz}$	25°C		-70		dB
O_{ISO}	Off-isolation	$R_L = 50\ \Omega$, $C_L = 5\text{ pF}$ $V_S = 0\text{ V}$, $f = 1\text{ MHz}$	25°C		-50		dB
X_{TALK}	Crosstalk	$R_L = 50\ \Omega$, $C_L = 5\text{ pF}$ $V_S = 0\text{ V}$, $f = 100\text{ kHz}$	25°C		-117		dB
X_{TALK}	Crosstalk	$R_L = 50\ \Omega$, $C_L = 5\text{ pF}$ $V_S = 0\text{ V}$, $f = 1\text{ MHz}$	25°C		-94		dB
BW	-3dB Bandwidth	$R_L = 50\ \Omega$, $C_L = 5\text{ pF}$ $V_S = 0\text{ V}$	25°C		67		MHz
I_L	Insertion loss	$R_L = 50\ \Omega$, $C_L = 5\text{ pF}$ $V_S = 0\text{ V}$, $f = 1\text{ MHz}$	25°C		-0.35		dB
ACPSRR	AC Power Supply Rejection Ratio	$V_{PP} = 0.62\text{ V}$ on V_{DD} and V_{SS} $R_L = 50\ \Omega$, $C_L = 5\text{ pF}$, $f = 1\text{ MHz}$	25°C		-76		dB
THD+N	Total Harmonic Distortion + Noise	$V_{PP} = 5\text{ V}$, $V_{BIAS} = 0\text{ V}$ $R_L = 10\text{ k}\Omega$, $C_L = 5\text{ pF}$, $f = 20\text{ Hz}$ to 20 kHz	25°C		0.001		%
$C_{S(OFF)}$	Source off capacitance	$V_S = 0\text{ V}$, $f = 1\text{ MHz}$	25°C		30		pF
$C_{D(OFF)}$	Drain off capacitance	$V_S = 0\text{ V}$, $f = 1\text{ MHz}$	25°C		40		pF
$C_{S(ON)}$, $C_{D(ON)}$	On capacitance	$V_S = 0\text{ V}$, $f = 1\text{ MHz}$	25°C		120		pF

5.14 Typical Characteristics

at $T_A = 25^\circ\text{C}$

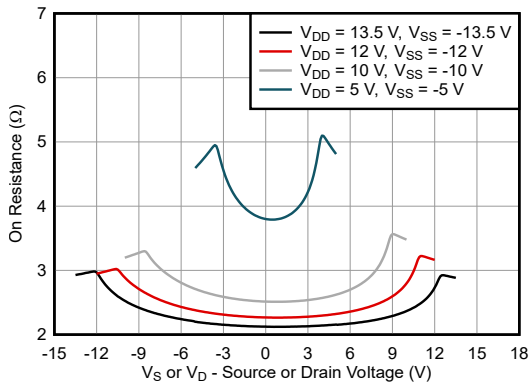


图 5-1. On-Resistance vs Source or Drain Voltage - Dual Supply

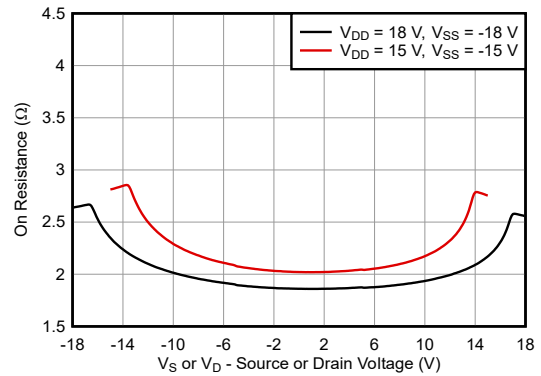


图 5-2. On-Resistance vs Source or Drain Voltage - Dual Supply

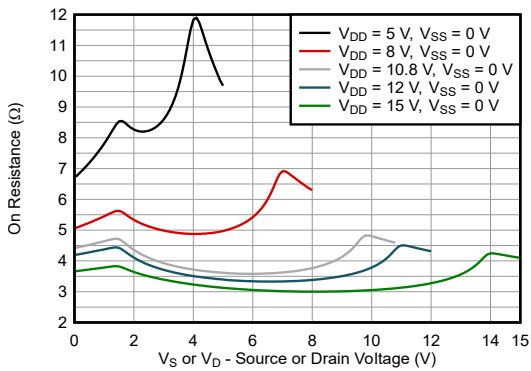


图 5-3. On-Resistance vs Source or Drain Voltage - Single Supply

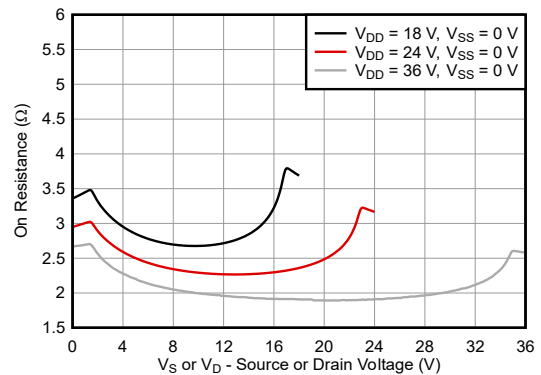


图 5-4. On-Resistance vs Source or Drain Voltage - Single Supply

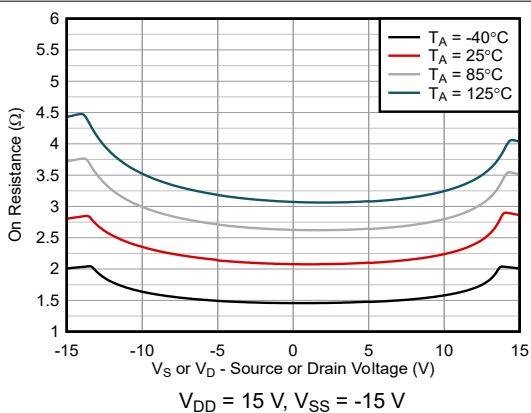


图 5-5. On-Resistance vs Temperature

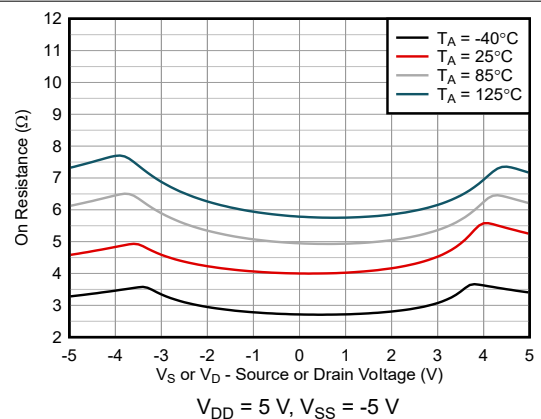


图 5-6. On-Resistance vs Temperature

5.14 Typical Characteristics (continued)

at $T_A = 25^\circ\text{C}$

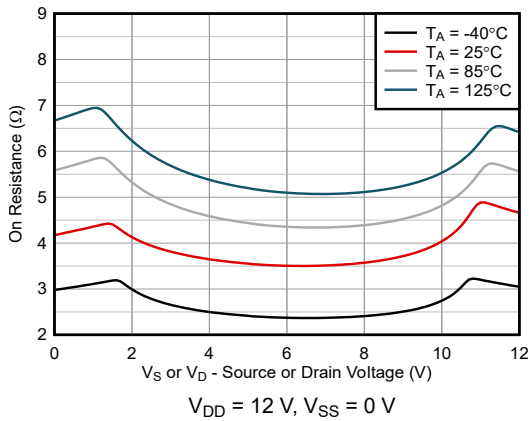


图 5-7. On-Resistance vs Temperature

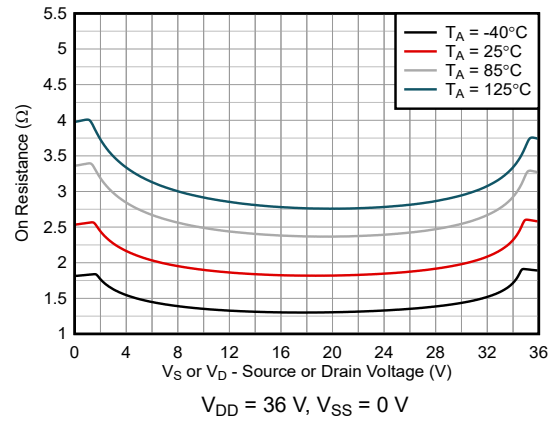


图 5-8. On-Resistance vs Temperature

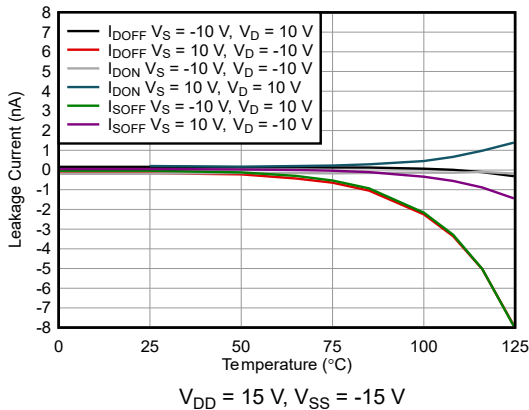


图 5-9. Leakage Current vs Temperature

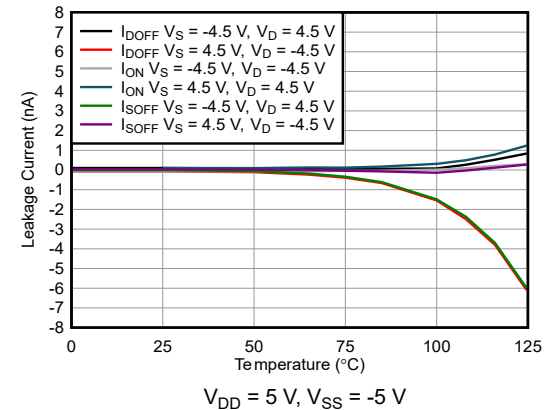


图 5-10. Leakage Current vs Temperature

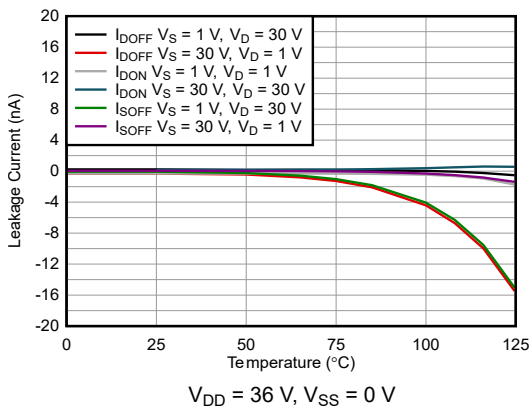


图 5-11. Leakage Current vs Temperature

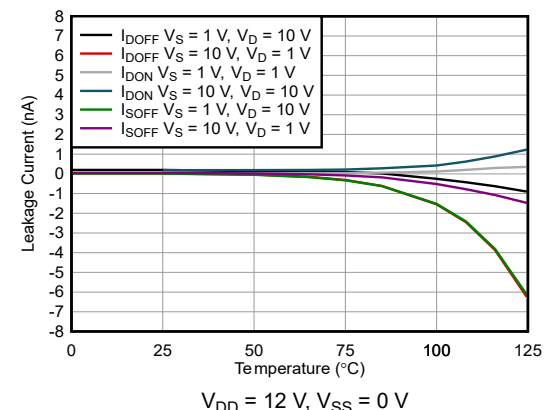


图 5-12. Leakage Current vs Temperature

5.14 Typical Characteristics (continued)

at $T_A = 25^\circ\text{C}$

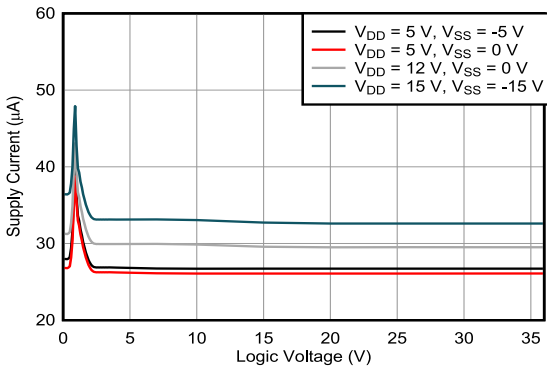


图 5-13. Supply Current vs Logic Voltage

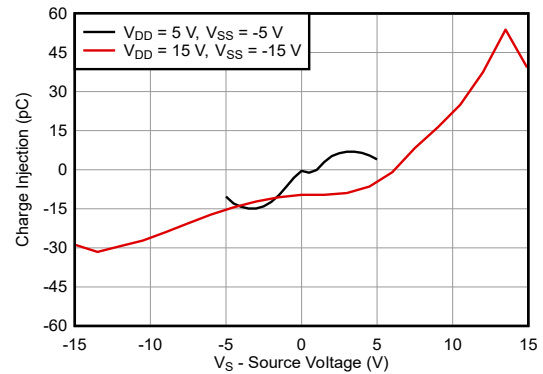


图 5-14. Charge Injection vs Source Voltage - Dual Supplies

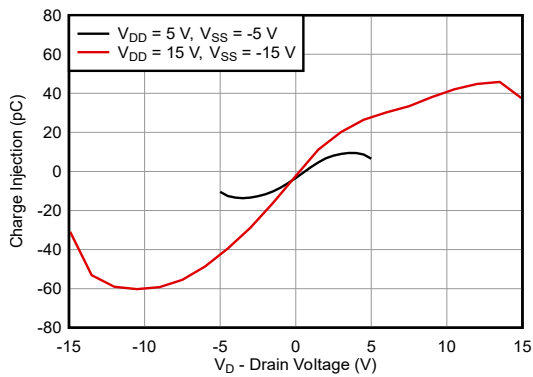


图 5-15. Charge Injection vs Drain Voltage - Dual Supplies

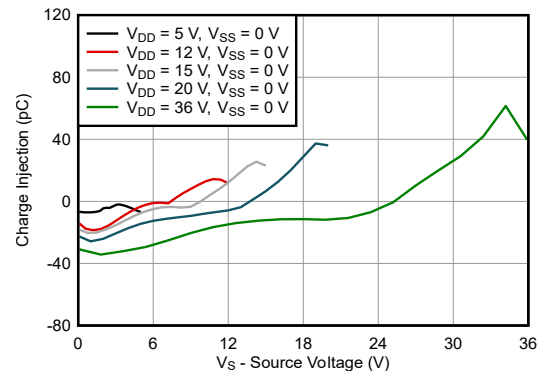


图 5-16. Charge Injection vs Source Voltage - Single Supplies

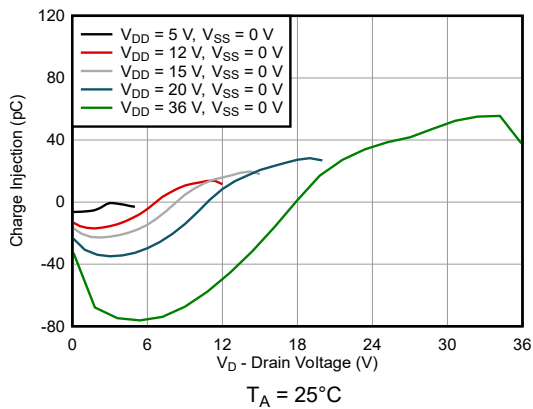


图 5-17. Charge Injection vs Drain Voltage - Single Supplies

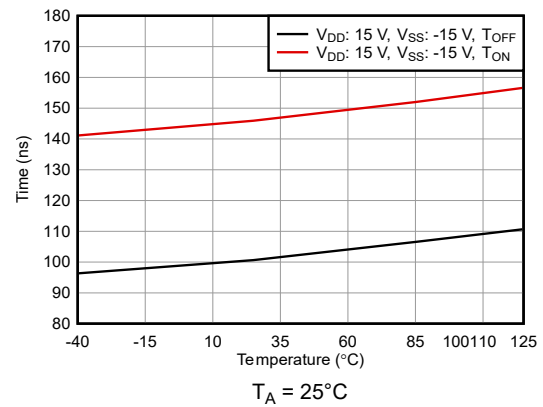


图 5-18. T_{ON} and T_{OFF} vs Temperature

5.14 Typical Characteristics (continued)

at $T_A = 25^\circ\text{C}$

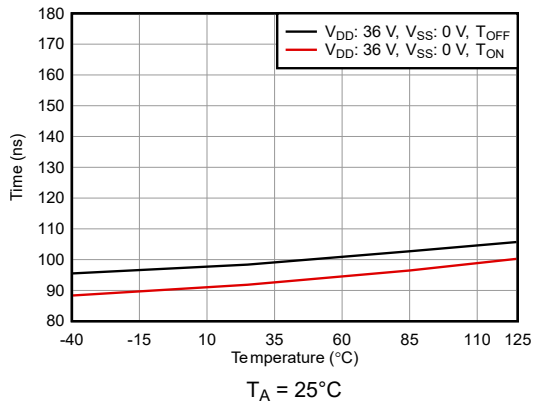


图 5-19. T_{ON} and T_{OFF} vs Temperature

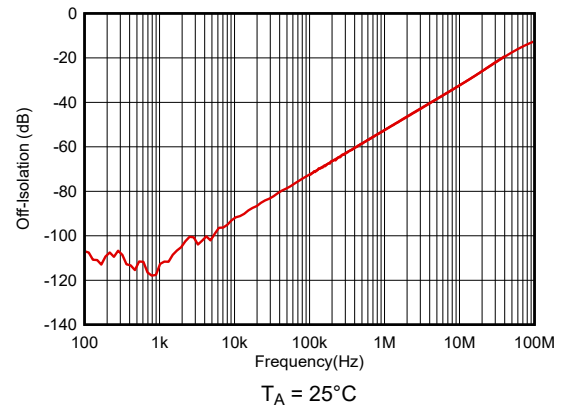


图 5-20. Off-Isolation vs Frequency

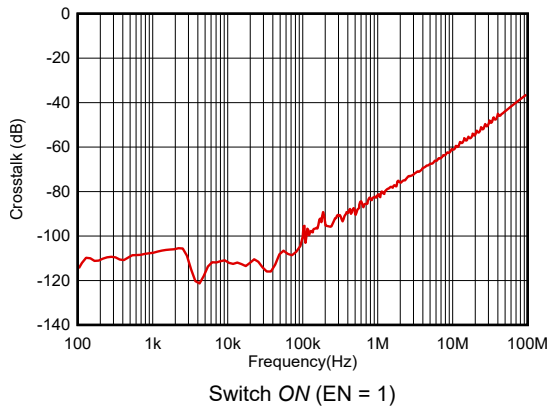


图 5-21. Crosstalk vs Frequency

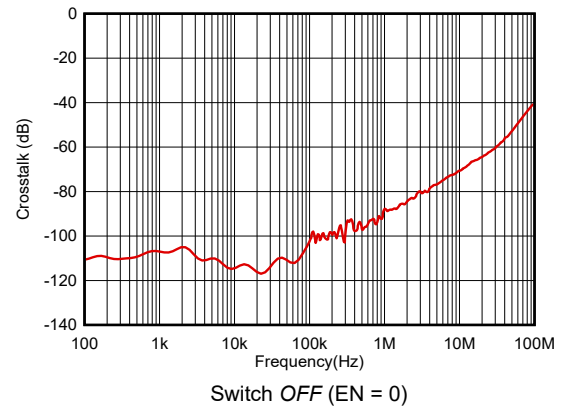


图 5-22. Crosstalk vs Frequency

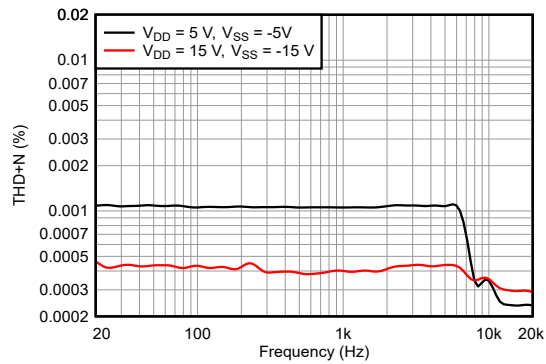


图 5-23. THD+N vs Frequency (Dual Supplies)

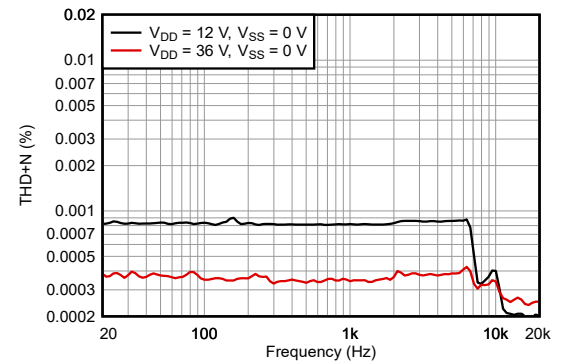


图 5-24. THD+N vs Frequency (Single Supplies)

5.14 Typical Characteristics (continued)

at $T_A = 25^\circ\text{C}$

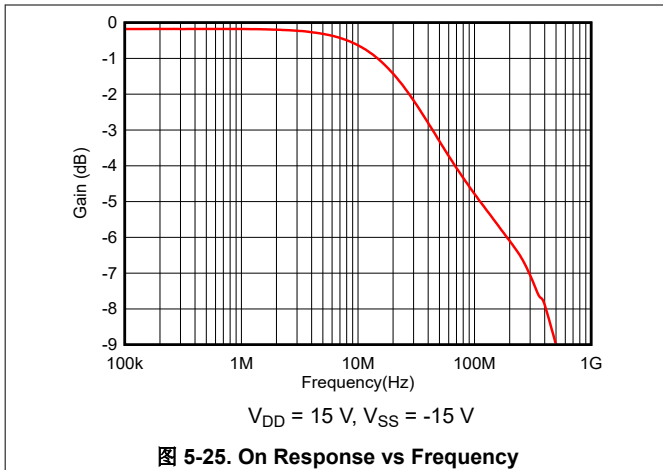


图 5-25. On Response vs Frequency

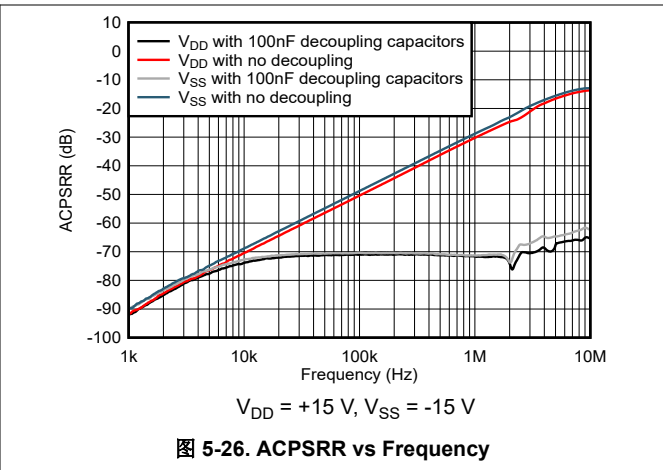


图 5-26. ACPSRR vs Frequency

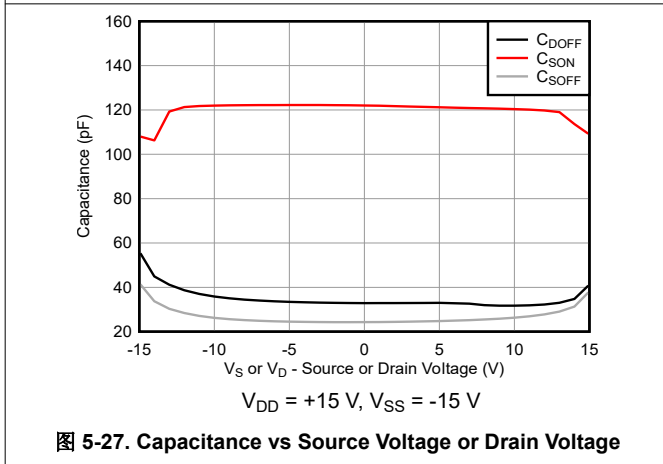


图 5-27. Capacitance vs Source Voltage or Drain Voltage

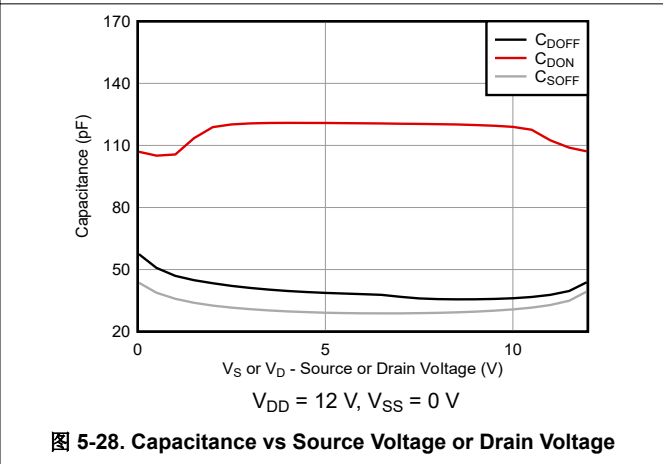


图 5-28. Capacitance vs Source Voltage or Drain Voltage

6 Parameter Measurement Information

6.1 On-Resistance

The on-resistance of a device is the ohmic resistance between the source (Sx) and drain (D) pins of the device. The on-resistance varies with input voltage and supply voltage. The symbol R_{ON} is used to denote on-resistance. 图 6-1 shows the measurement setup used to measure R_{ON} . Voltage (V) and current (I_{SD}) are measured using the following setup, where R_{ON} is computed as $R_{ON} = V / I_{SD}$.

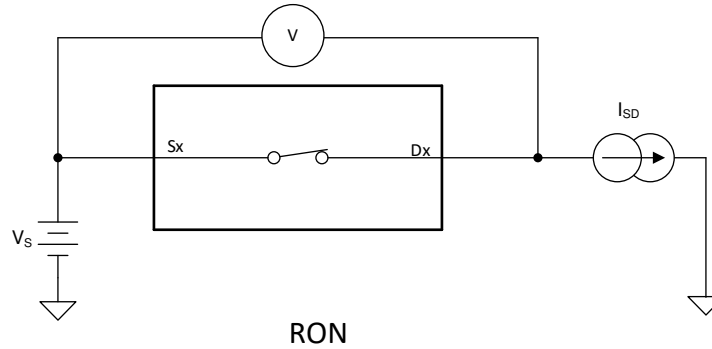


图 6-1. On-Resistance

6.2 Off-Leakage Current

There are two types of leakage currents associated with a switch during the off state:

1. Source off-leakage current.
2. Drain off-leakage current.

Source leakage current is defined as the leakage current flowing into or out of the source pin when the switch is off. This current is denoted by the symbol $I_{S(OFF)}$.

Drain leakage current is defined as the leakage current flowing into or out of the drain pin when the switch is off. This current is denoted by the symbol $I_{D(OFF)}$.

图 6-2 shows the setup used to measure both off-leakage currents.

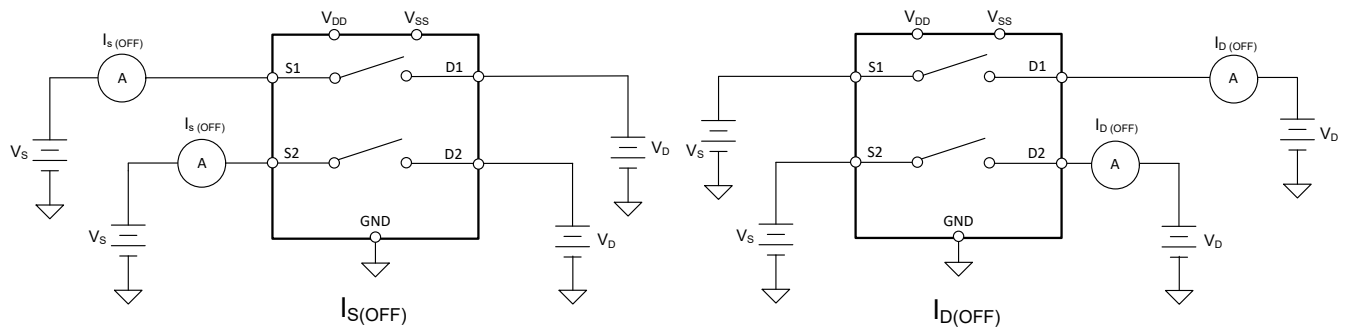


图 6-2. Off-Leakage Measurement Setup

6.3 On-Leakage Current

Source on-leakage current is defined as the leakage current flowing into or out of the source pin when the switch is on. This current is denoted by the symbol $I_{S(ON)}$.

Drain on-leakage current is defined as the leakage current flowing into or out of the drain pin when the switch is on. This current is denoted by the symbol $I_{D(ON)}$.

Either the source pin or drain pin is left floating during the measurement. 图 6-3 shows the circuit used for measuring the on-leakage current, denoted by $I_{S(ON)}$ or $I_{D(ON)}$.

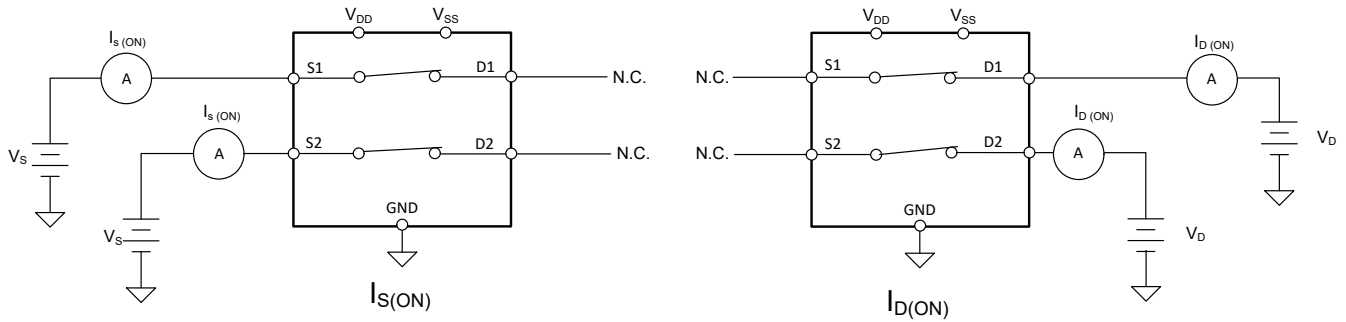


图 6-3. On-Leakage Measurement Setup

6.4 $t_{ON(EN)}$ and $t_{OFF(EN)}$

Turn-on time is defined as the time taken by the output of the device to rise to 90% after the enable has risen past the logic threshold. The 90% measurement is utilized to provide the timing of the device. System level timing can then account for the time constant added from the load resistance and load capacitance. 图 6-4 shows the setup used to measure turn-on time, denoted by the symbol $t_{ON(EN)}$.

Turn-off time is defined as the time taken by the output of the device to fall to 10% after the enable has fallen past the logic threshold. The 10% measurement is utilized to provide the timing of the device. System level timing can then account for the time constant added from the load resistance and load capacitance. 图 6-4 shows the setup used to measure turn-off time, denoted by the symbol $t_{OFF(EN)}$.

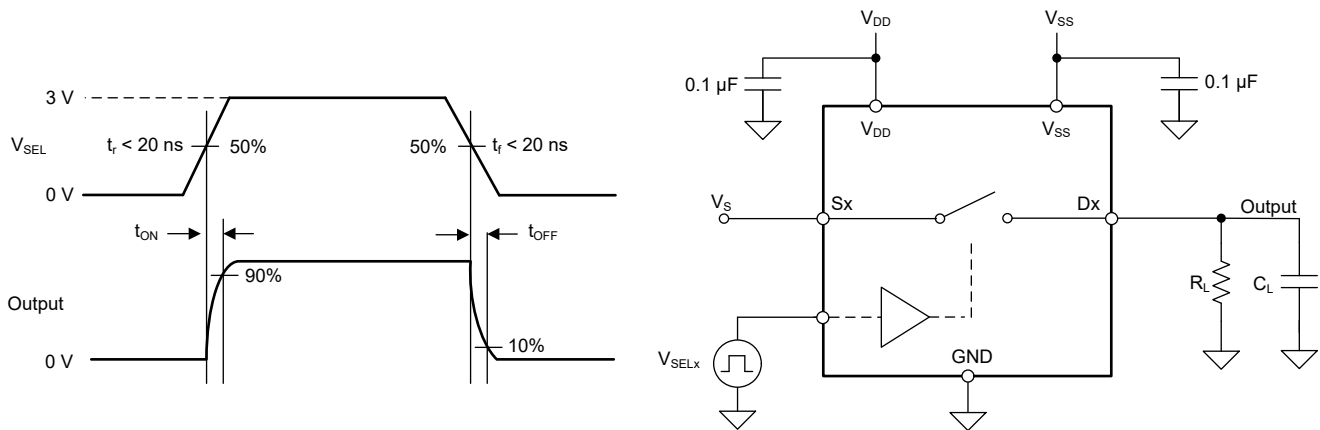


图 6-4. Turn-On and Turn-Off Time Measurement Setup

6.5 $t_{ON(VDD)}$ Time

The $t_{ON(VDD)}$ time is defined as the time taken by the output of the device to rise to 90% after the supply has risen past the supply threshold. The 90% measurement is used to provide the timing of the device turning on in the system. 图 6-5 shows the setup used to measure turn on time, denoted by the symbol $t_{ON(VDD)}$.

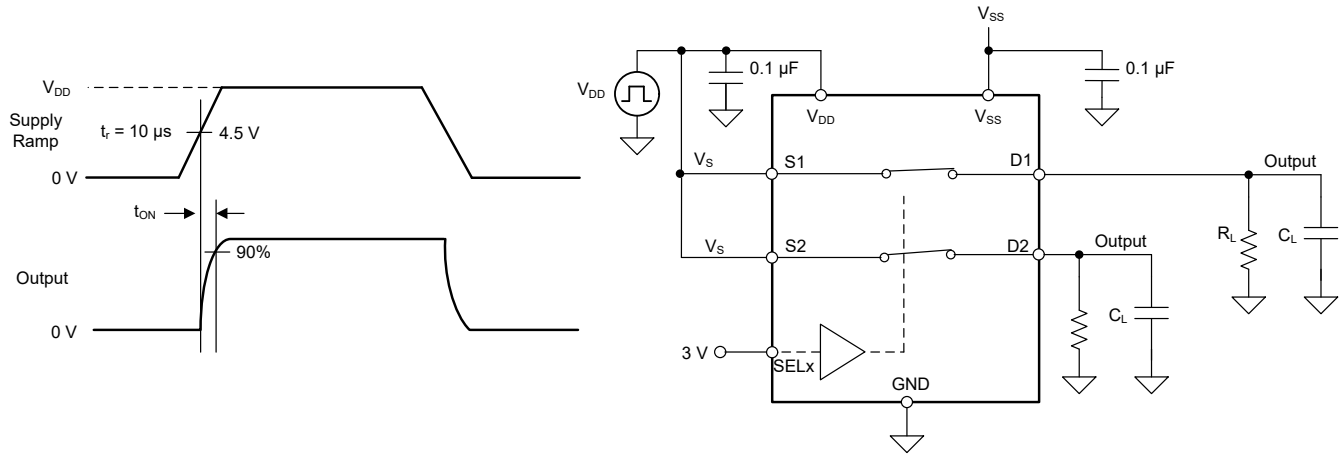


图 6-5. $t_{ON(VDD)}$ Time Measurement Setup

6.6 Propagation Delay

Propagation delay is defined as the time taken by the output of the device to rise or fall 50% after the input signal has risen or fallen past the 50% threshold. 图 6-6 和 方程式 1 shows the setup used to measure propagation delay, denoted by the symbol t_{PD} .

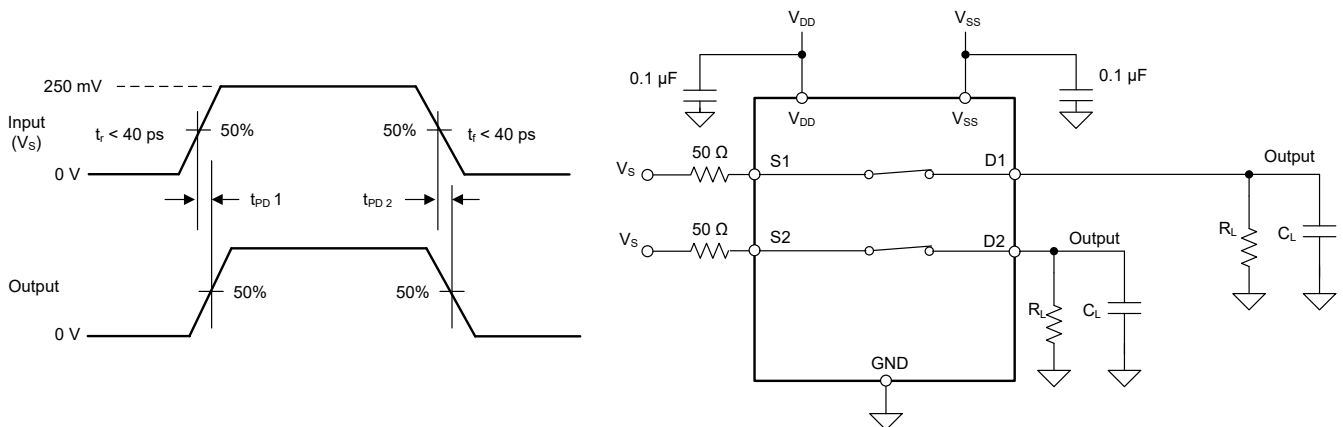


图 6-6. Propagation Delay Measurement Setup

$$t_{Prop Delay} = \max(t_{PD 1}, t_{PD 2}) \quad (1)$$

6.7 Charge Injection

The TMUX622x has a transmission-gate topology. Any mismatch in capacitance between the NMOS and PMOS transistors results in a charge injected into the drain or source during the falling or rising edge of the gate signal. The amount of charge injected into the source or drain of the device is known as charge injection, and is denoted by the symbol Q_C . 图 6-7 shows the setup used to measure charge injection from source (Sx) to drain (D).

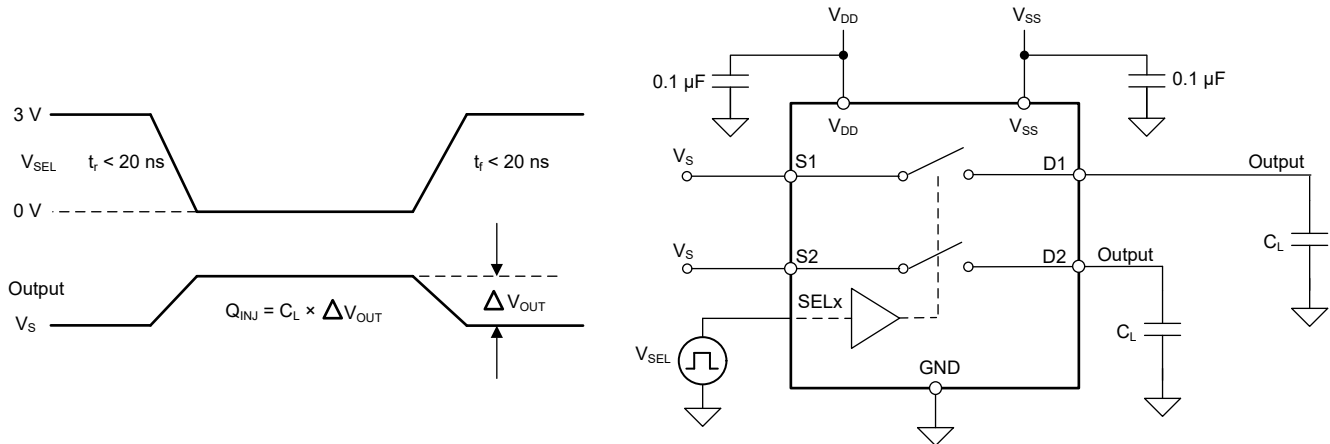


图 6-7. Charge-Injection Measurement Setup

6.8 Off Isolation

Off isolation is defined as the ratio of the signal at the drain pin (Dx) of the device when a signal is applied to the source pin (Sx) of an off-channel. The characteristic impedance, Z_0 , for the measurement is 50Ω . 图 6-8 and 方程式 2 shows the setup used to measure off isolation. Use off isolation equation to compute off isolation.

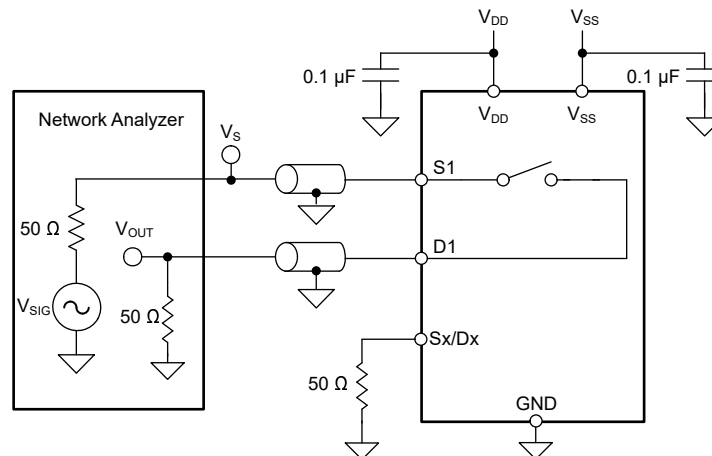


图 6-8. Off Isolation Measurement Setup

$$\text{Off Isolation} = 20 \times \text{LOG} \frac{V_{OUT}}{V_S} \quad (2)$$

6.9 Crosstalk

Crosstalk is defined as the ratio of the signal at the drain pin (D) of a different channel, when a signal is applied at the source pin (S_x) of an on-channel. 图 6-9 shows the setup used to measure, and 方程式 3 shows the equation used to calculate crosstalk.

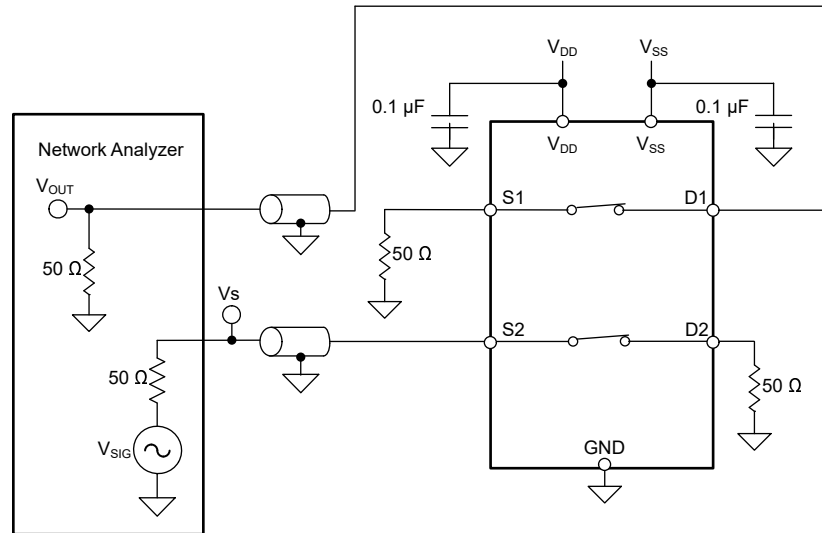


图 6-9. Crosstalk Measurement Setup

$$Crosstalk = 20 \times LOG \frac{V_{OUT}}{V_S} \quad (3)$$

6.10 Bandwidth

Bandwidth is defined as the range of frequencies that are attenuated by less than 3 dB when the input is applied to the source pin (S_x) of an on-channel, and the output is measured at the drain pin (D_x) of the device. The characteristic impedance, Z₀, for the measurement is 50 Ω. 图 6-10 and 方程式 4 shows the setup used to measure bandwidth.

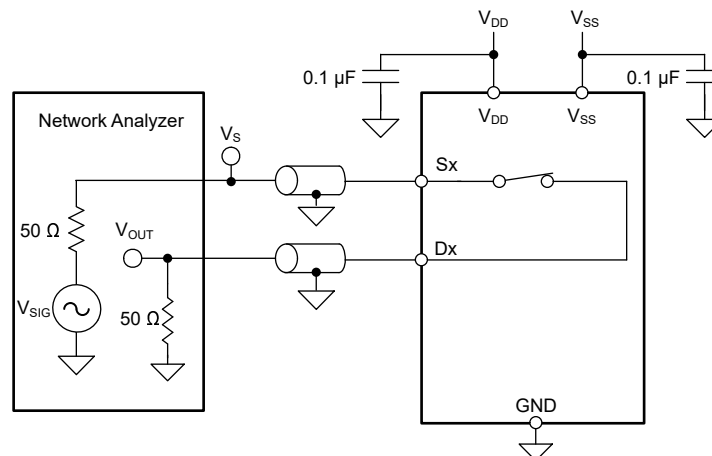


图 6-10. Bandwidth Measurement Setup

$$Bandwidth = 20 \times Log \frac{V_{OUT}}{V_S} \quad (4)$$

6.11 THD + Noise

The total harmonic distortion (THD) of a signal is a measurement of the harmonic distortion, and is defined as the ratio of the sum of the powers of all harmonic components to the power of the fundamental frequency at the mux output. The on-resistance of the device varies with the amplitude of the input signal and results in distortion when the drain pin is connected to a low-impedance load. Total harmonic distortion plus noise is denoted as THD + N.

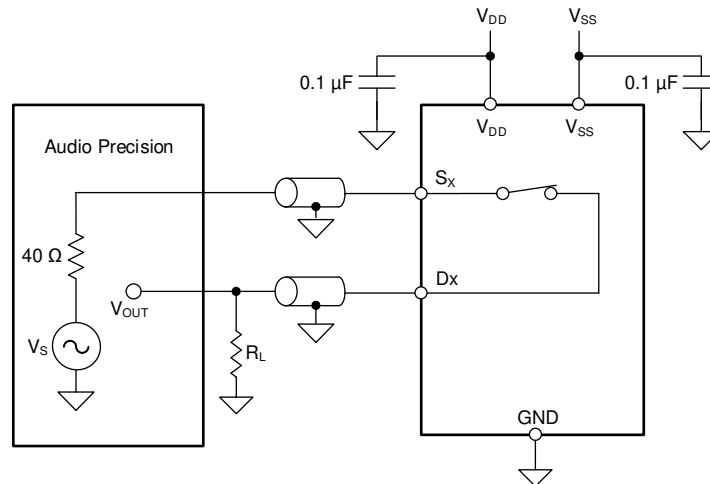


图 6-11. THD + N Measurement Setup

6.12 Power Supply Rejection Ratio (PSRR)

PSRR measures the ability of a device to prevent noise and spurious signals that appear on the supply voltage pin from coupling to the output of the switch. The DC voltage on the device supply is modulated by a sine wave of 100 mV_{PP}. The ratio of the amplitude of signal on the output to the amplitude of the modulated signal is the AC PSRR.

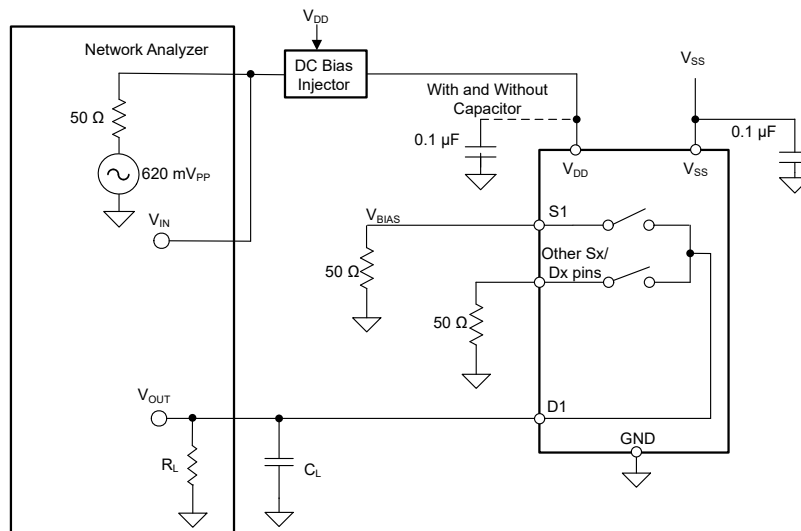


图 6-12. AC PSRR Measurement Setup

$$PSRR = 20 \times \text{Log} \frac{V_{OUT}}{V_{IN}} \tag{5}$$

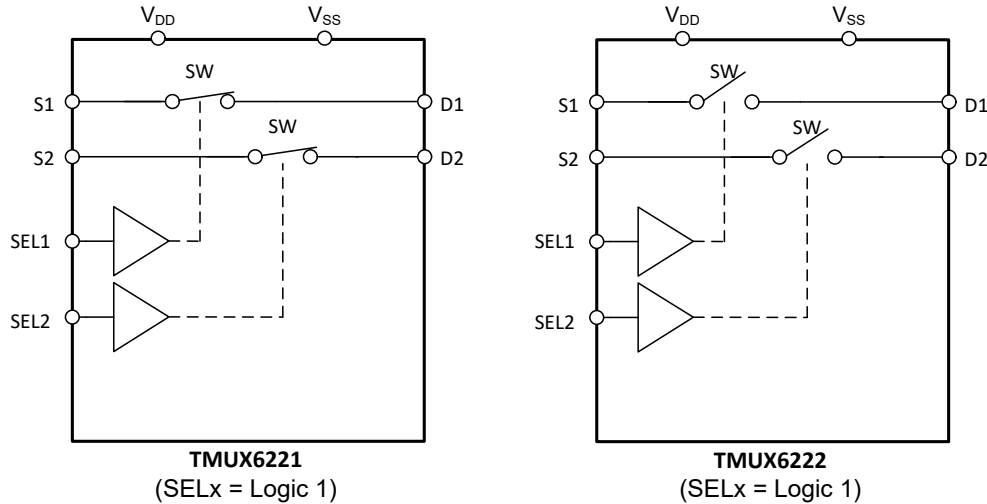
7 Detailed Description

7.1 Overview

The TMUX622x is a 1:1, 2-channel switch. Each input is turned on or turned off based on the state of the select line and enable pin.

7.2 Functional Block Diagram

The following figure shows the functional block diagram of the TMUX622x.



7.3 Feature Description

7.3.1 Bidirectional Operation

The TMUX622x conducts equally well from source (Sx) to drain (D) or from drain (D) to source (Sx). Each channel has very similar characteristics in both directions and supports both analog and digital signals.

7.3.2 Rail-to-Rail Operation

The valid signal path input and output voltage for TMUX622x ranges from V_{SS} to V_{DD} .

7.3.3 1.8 V Logic Compatible Inputs

The TMUX622x has 1.8 V logic compatible control for all logic control inputs. 1.8 V logic level inputs allows the device to interface with processors that have lower logic I/O rails and eliminates the need for an external translator, which saves both space and BOM cost. For more information on 1.8 V logic implementations, refer to [Simplifying Design with 1.8 V logic Muxes and Switches](#).

7.3.4 Integrated Pull-Down Resistor on Logic Pins

The TMUX622x have internal weak pull-down resistors to GND so that the logic pins are not left floating. The value of this pull-down resistor is approximately $4\text{ M}\Omega$, but is clamped to about $1\ \mu\text{A}$ at higher voltages. This feature integrates up to four external components and reduces system size and cost.

7.3.5 Fail-Safe Logic

The TMUX622x supports Fail-Safe Logic on the control input pins (EN and SEL) allowing for operation up to 36 V above ground, regardless of the state of the supply pins. This feature allows voltages on the control pins to be applied before the supply pin, protecting the device from potential damage. Fail-Safe Logic minimizes system complexity by removing the need for power supply sequencing on the logic control pins. For example, the Fail-Safe Logic feature allows the logic input pins of the TMUX622x to be ramped to +36 V while V_{DD} and $V_{SS} = 0\text{ V}$. The logic control inputs are protected against positive faults of up to +36 V in powered-off condition, but do not offer protection against negative overvoltage conditions.

7.3.6 Latch-Up Immune

Latch-up is a condition where a low impedance path is created between a supply pin and ground. This condition is caused by a trigger (current injection or overvoltage), but once activated, the low impedance path remains even after the trigger is no longer present. This low impedance path may cause system upset or catastrophic damage due to excessive current levels. The latch-up condition typically requires a power cycle to eliminate the low impedance path.

The TMUX622x family of devices are constructed on silicon-on-insulator (SOI) based process where an oxide layer is added between the PMOS and NMOS transistor of each CMOS switch to prevent parasitic structures from forming. The oxide layer is also known as an insulating trench and prevents triggering of latch up events due to overvoltage or current injections. The latch-up immunity feature allows the TMUX622x family of switches and multiplexers to be used in harsh environments.

7.3.7 Ultra-Low Charge Injection

The TMUX622x has a transmission gate topology, as shown in 图 7-1. Any mismatch in the stray capacitance associated with the NMOS and PMOS causes an output level change whenever the switch is opened or closed.

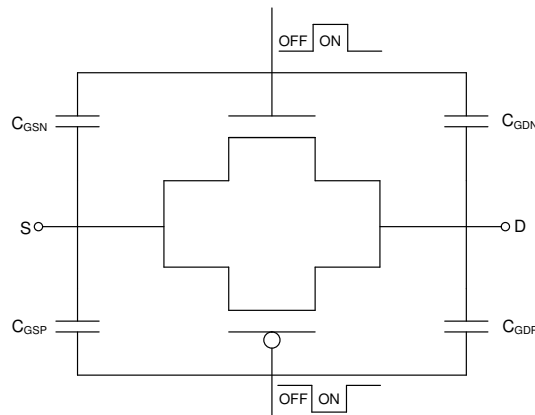


图 7-1. Transmission Gate Topology

The TMUX622x contains specialized architecture to reduce charge injection on the Drain (Dx). To further reduce charge injection in a sensitive application, a compensation capacitor (Cp) can be added on the Source (Sx). Doing this will push excess charge from the switch transition into the compensation capacitor on the Source (Sx) instead of the Drain (Dx). As a general rule, Cp should be 20x larger than the equivalent load capacitance on the Drain (Dx). 图 7-2 shows charge injection variation with different compensation capacitors on the Source side. This plot was captured on the TMUX6219 as part of the TMUX62xx family with a 100 pF load capacitance.

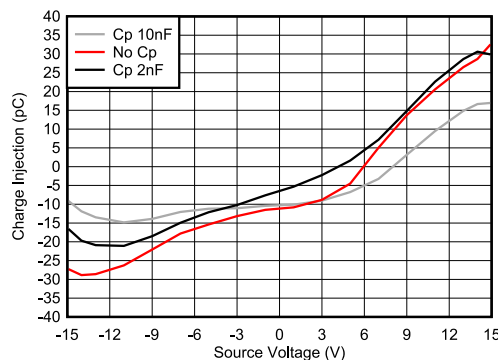


图 7-2. Charge Injection Compensation

7.4 Device Functional Modes

The TMUX622x devices have two independently selectable single-pole, single-throw switches that are turned-on or turned-off based on the state of the corresponding select pin. The control pins can be as high as 36 V.

The TMUX622x devices can be operated without any external components except for the supply decoupling capacitors. The SEL pins has internal pull-down resistor of 4 M Ω . If unused, tie the SEL pins to GND so that the device does not consume additional current. For more information, see [Implications of Slow or Floating CMOS Inputs](#). Unused signal path inputs (S1, S2, D1, or D2) should be connected to GND.

7.5 Truth Tables

表 7-1 provides the truth tables for the TMUX622x.

表 7-1. TMUX6221 Truth Table

SEL x	CHANNEL x
0	Channel x OFF
1	Channel x ON

表 7-2. TMUX6222 Truth Table

SEL x	CHANNEL x
0	Channel x ON
1	Channel x OFF

8 Application and Implementation

备注

Information in the following applications sections is not part of the TI component specification, and TI does not warrant its accuracy or completeness. TI's customers are responsible for determining suitability of components for their purposes, as well as validating and testing their design implementation to confirm system functionality.

8.1 Application Information

TMUX622x is part of the precision switches and multiplexers family of devices. TMUX622x offers low RON, low on and off leakage currents and ultra-low charge injection performance. These properties make TMUX622x ideal for implementing high precision industrial systems requiring selection of one of two inputs or outputs.

8.2 Typical Applications

8.2.1 Switched Gain Amplifier - Discrete PGA

Switches and multiplexers are commonly used in the feedback path of the amplifier circuits to provide configurable gain control. By using various resistor values on each switch path, the TMUX622x allows the system to have multiple gain settings. An external resistor causes the amplifier to not operate in an open loop configuration and gives up to 4 gain settings. The leakage current, on-resistance, and charge injection performance of the TMUX622x are key specifications to evaluate when selecting a device for gain control.

图 8-1 shows the TMUX622x configured to select the gain of an op-amp, creating a discrete PGA.

For more information on how to use TI's analog switches in Discrete Programmable Gain Amplifier (PGA) such as the impact of On-Capacitance, see [Choosing the Right Multiplexer for a Discrete Programmable Gain Amplifier \(PGA\)](#)

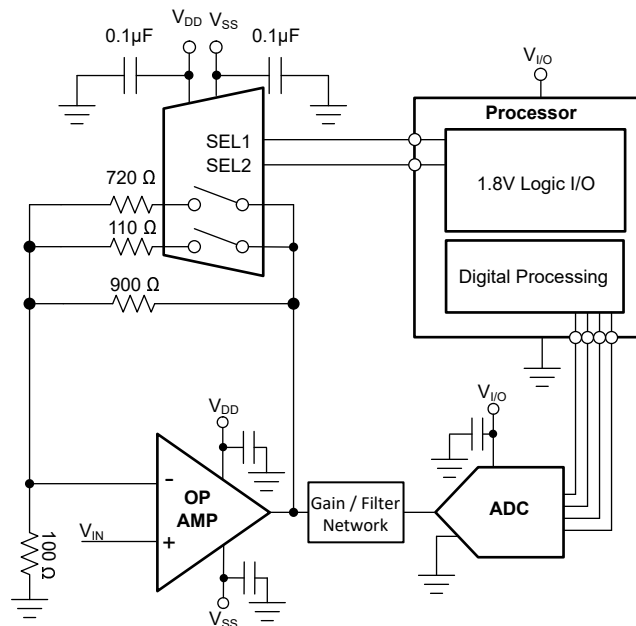


图 8-1. Gain Switching

8.2.1.1 Design Requirements

For this design example, use the parameters listed in 表 8-1.

表 8-1. Design Parameters

PARAMETERS	VALUES
Supply (V_{DD})	15 V
Supply (V_{SS})	-15 V
Input or output signal range	-15 V to 15 V (Rail-to-Rail)
Control logic thresholds	1.8 V compatible

8.2.1.2 Detailed Design Procedure

The TMUX622x device can operate without any external components except for the supply decoupling capacitors. All inputs signals passing through the switch must fall within the recommend operating conditions of the TMUX622x including signal range and continuous current. For this design example, with a supply of +15 V and -15 V, the signals can range from +15 V to -15 V when the device is powered.

The application shown in [Switching Gain Settings](#) demonstrates how to use the TMUX622x to control the feedback gain of a precision op-amp. This feedback design can very sensitive to induced voltage and current offsets. The TMUX622x has a typical on-leakage current of 100 pA which would lead to an accuracy well within 1% of a full scale 1 μ A signal, thus minimizing errors from current offsets. The low on-resistance of the TMUX622x leads to a low error in the feedback resistance and resulting gain. This additionally minimizes any voltage offsets.

表 8-2. Programmable Gain and Error

SEL1	SEL2	Gain	Gain Error
0	0	10x	0%
1	0	5x	0.13%
0	1	2x	0.16%

8.2.1.3 Application Curves

The TMUX622x is capable of switching signals with minimal distortion because of the ultra-low leakage currents and excellent on-resistance flatness. 图 8-2 shows how the on-resistance for the TMUX622x varies with different supply voltages.

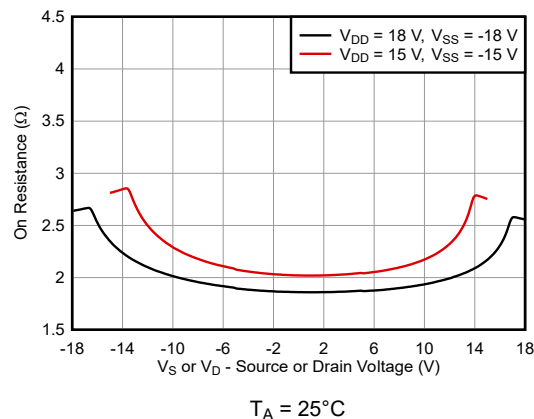


图 8-2. On-Resistance vs Source or Drain Voltage

8.3 Power Supply Recommendations

The TMUX622x operates across a wide supply range of $\pm 4.5\text{ V}$ to $\pm 18\text{ V}$ (4.5 V to 36 V in single-supply mode). The device also performs well with asymmetrical supplies such as $V_{DD} = 12\text{ V}$ and $V_{SS} = -5\text{ V}$.

Power-supply bypassing improves noise margin and prevents switching noise propagation from the supply rails to other components. Good power-supply decoupling is important to achieve optimum performance. For improved supply noise immunity, use a supply decoupling capacitor ranging from $0.1\ \mu\text{F}$ to $10\ \mu\text{F}$ at both the V_{DD} and V_{SS} pins to ground. Place the bypass capacitors as close to the power supply pins of the device as possible using low-impedance connections. TI recommends using multi-layer ceramic chip capacitors (MLCCs) that offer low equivalent series resistance (ESR) and inductance (ESL) characteristics for power-supply decoupling purposes. For very sensitive systems, or for systems in harsh noise environments, avoiding the use of vias for connecting the capacitors to the device pins may offer superior noise immunity. The use of multiple vias in parallel lowers the overall inductance and is beneficial for connections to ground and power planes. Always ensure the ground (GND) connection is established before supplies are ramped.

8.4 Layout

8.4.1 Layout Guidelines

When a PCB trace turns a corner at a 90° angle, a reflection can occur. A reflection occurs primarily because of the change of width of the trace. At the apex of the turn, the trace width increases to 1.414 times the width. This increase upsets the transmission-line characteristics, especially the distributed capacitance and self-inductance of the trace which results in the reflection. Not all PCB traces can be straight and therefore some traces must turn corners. [图 8-3](#) shows progressively better techniques of rounding corners. Only the last example (BEST) maintains constant trace width and minimizes reflections.

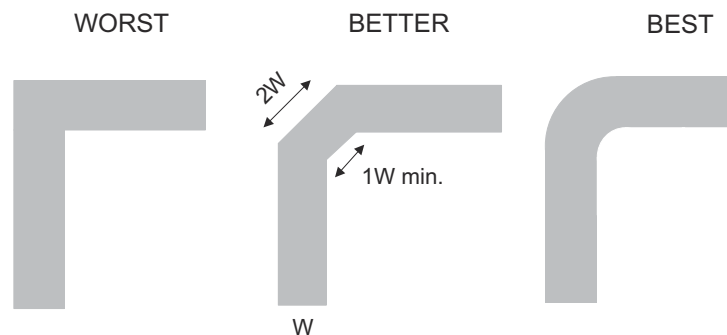


图 8-3. Trace Example

Route high-speed signals using a minimum of vias and corners which reduces signal reflections and impedance changes. When a via must be used, increase the clearance size around it to minimize its capacitance. Each via introduces discontinuities in the signal's transmission line and increases the chance of picking up interference from the other layers of the board. Be careful when designing test points, through-hole pins are not recommended at high frequencies.

Some key considerations are:

- For reliable operation, connect a decoupling capacitor ranging from $0.1\ \mu\text{F}$ to $10\ \mu\text{F}$ between V_{DD}/V_{SS} and GND. We recommend a $0.1\ \mu\text{F}$ and $1\ \mu\text{F}$ capacitor, placing the lowest value capacitor as close to the pin as possible. Make sure that the capacitor voltage rating is sufficient for the supply voltage.
- Keep the input lines as short as possible.
- Use a solid ground plane to help reduce electromagnetic interference (EMI) noise pickup.
- Do not run sensitive analog traces in parallel with digital traces. Avoid crossing digital and analog traces if possible, and only make perpendicular crossings when necessary.
- Using multiple vias in parallel will lower the overall inductance and is beneficial for connection to ground planes.

8.4.2 Layout Example

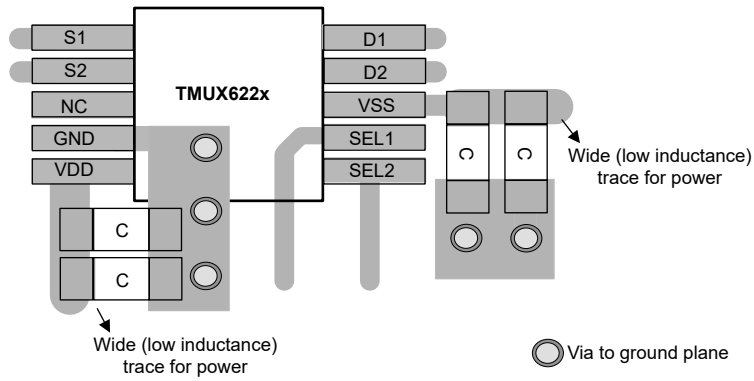


图 8-4. TMUX622x Layout Example

9 Device and Documentation Support

9.1 Documentation Support

9.1.1 Related Documentation

- Texas Instruments, [Improve Stability Issues with Low CON Multiplexers](#).
- Texas Instruments, [Improving Signal Measurement Accuracy in Automated Test Equipment](#).
- Texas Instruments, [Multiplexers and Signal Switches Glossary](#).
- Texas Instruments, [QFN/SON PCB Attachment](#).
- Texas Instruments, [Quad Flat pack No-Lead Logic Packages](#).
- Texas Instruments, [Simplifying Design with 1.8 V logic Muxes and Switches](#).
- Texas Instruments, [System-Level Protection for High-Voltage Analog Multiplexers](#).
- Texas Instruments, [True Differential, 4 x 2 MUX, Analog Front End, Simultaneous-Sampling ADC Circuit](#).

9.2 Receiving Notification of Documentation Updates

To receive notification of documentation updates, navigate to the device product folder on ti.com. In the upper right corner, click on *Alert me* to register and receive a weekly digest of any product information that has changed. For change details, review the revision history included in any revised document.

9.3 支持资源

TI E2E™ 中文支持论坛是工程师的重要参考资料，可直接从专家处获得快速、经过验证的解答和设计帮助。搜索现有解答或提出自己的问题，获得所需的快速设计帮助。

链接的内容由各个贡献者“按原样”提供。这些内容并不构成 TI 技术规范，并且不一定反映 TI 的观点；请参阅 TI 的[使用条款](#)。

9.4 Trademarks

TI E2E™ is a trademark of Texas Instruments.

所有商标均为其各自所有者的财产。

9.5 静电放电警告



静电放电 (ESD) 会损坏这个集成电路。德州仪器 (TI) 建议通过适当的预防措施处理所有集成电路。如果不遵守正确的处理和安装程序，可能会损坏集成电路。

ESD 的损坏小至导致微小的性能降级，大至整个器件故障。精密的集成电路可能更容易受到损坏，这是因为非常细微的参数更改都可能会导致器件与其发布的规格不相符。

9.6 术语表

TI 术语表 本术语表列出并解释了术语、首字母缩略词和定义。

10 Revision History

注：以前版本的页码可能与当前版本的页码不同

Changes from Revision A (September 2023) to Revision B (May 2024) Page

- Updated the *Pin Configuration* section to accurately reflect the correct pin number for SEL1 and SEL2..... **3**

Changes from Revision * (March 2023) to Revision A (September 2023) Page

- 将数据表的状态从 *预告信息* 更改为 *量产数据* **1**

11 Mechanical, Packaging, and Orderable Information

The following pages include mechanical, packaging, and orderable information. This information is the most current data available for the designated devices. This data is subject to change without notice and revision of this document. For browser-based versions of this data sheet, refer to the left-hand navigation.

PACKAGING INFORMATION

Orderable Device	Status (1)	Package Type	Package Drawing	Pins	Package Qty	Eco Plan (2)	Lead finish/ Ball material (6)	MSL Peak Temp (3)	Op Temp (°C)	Device Marking (4/5)	Samples
PTMUX6221DGSR	ACTIVE	VSSOP	DGS	10	2500	TBD	Call TI	Call TI	-40 to 125		Samples
PTMUX6222DGSR	ACTIVE	VSSOP	DGS	10	2500	TBD	Call TI	Call TI	-40 to 125		Samples
TMUX6221DGSR	ACTIVE	VSSOP	DGS	10	2500	RoHS & Green	SN	Level-2-260C-1 YEAR	-40 to 125	TM221	Samples
TMUX6222DGSR	ACTIVE	VSSOP	DGS	10	2500	RoHS & Green	SN	Level-2-260C-1 YEAR	-40 to 125	TM222	Samples

(1) The marketing status values are defined as follows:

ACTIVE: Product device recommended for new designs.

LIFEBUY: TI has announced that the device will be discontinued, and a lifetime-buy period is in effect.

NRND: Not recommended for new designs. Device is in production to support existing customers, but TI does not recommend using this part in a new design.

PREVIEW: Device has been announced but is not in production. Samples may or may not be available.

OBSELETE: TI has discontinued the production of the device.

(2) **RoHS:** TI defines "RoHS" to mean semiconductor products that are compliant with the current EU RoHS requirements for all 10 RoHS substances, including the requirement that RoHS substance do not exceed 0.1% by weight in homogeneous materials. Where designed to be soldered at high temperatures, "RoHS" products are suitable for use in specified lead-free processes. TI may reference these types of products as "Pb-Free".

RoHS Exempt: TI defines "RoHS Exempt" to mean products that contain lead but are compliant with EU RoHS pursuant to a specific EU RoHS exemption.

Green: TI defines "Green" to mean the content of Chlorine (Cl) and Bromine (Br) based flame retardants meet JS709B low halogen requirements of <=1000ppm threshold. Antimony trioxide based flame retardants must also meet the <=1000ppm threshold requirement.

(3) MSL, Peak Temp. - The Moisture Sensitivity Level rating according to the JEDEC industry standard classifications, and peak solder temperature.

(4) There may be additional marking, which relates to the logo, the lot trace code information, or the environmental category on the device.

(5) Multiple Device Markings will be inside parentheses. Only one Device Marking contained in parentheses and separated by a "-" will appear on a device. If a line is indented then it is a continuation of the previous line and the two combined represent the entire Device Marking for that device.

(6) Lead finish/Ball material - Orderable Devices may have multiple material finish options. Finish options are separated by a vertical ruled line. Lead finish/Ball material values may wrap to two lines if the finish value exceeds the maximum column width.

Important Information and Disclaimer:The information provided on this page represents TI's knowledge and belief as of the date that it is provided. TI bases its knowledge and belief on information provided by third parties, and makes no representation or warranty as to the accuracy of such information. Efforts are underway to better integrate information from third parties. TI has taken and

continues to take reasonable steps to provide representative and accurate information but may not have conducted destructive testing or chemical analysis on incoming materials and chemicals. TI and TI suppliers consider certain information to be proprietary, and thus CAS numbers and other limited information may not be available for release.

In no event shall TI's liability arising out of such information exceed the total purchase price of the TI part(s) at issue in this document sold by TI to Customer on an annual basis.

TAPE AND REEL INFORMATION

QUADRANT ASSIGNMENTS FOR PIN 1 ORIENTATION IN TAPE


*All dimensions are nominal

Device	Package Type	Package Drawing	Pins	SPQ	Reel Diameter (mm)	Reel Width W1 (mm)	A0 (mm)	B0 (mm)	K0 (mm)	P1 (mm)	W (mm)	Pin1 Quadrant
TMUX6221DGSR	VSSOP	DGS	10	2500	330.0	12.4	5.25	3.35	1.25	8.0	12.0	Q1
TMUX6222DGSR	VSSOP	DGS	10	2500	330.0	12.4	5.25	3.35	1.25	8.0	12.0	Q1

TAPE AND REEL BOX DIMENSIONS


*All dimensions are nominal

Device	Package Type	Package Drawing	Pins	SPQ	Length (mm)	Width (mm)	Height (mm)
TMUX6221DGSR	VSSOP	DGS	10	2500	366.0	364.0	50.0
TMUX6222DGSR	VSSOP	DGS	10	2500	366.0	364.0	50.0

重要声明和免责声明

TI“按原样”提供技术和可靠性数据（包括数据表）、设计资源（包括参考设计）、应用或其他设计建议、网络工具、安全信息和其他资源，不保证没有瑕疵且不做任何明示或暗示的担保，包括但不限于对适销性、某特定用途方面的适用性或不侵犯任何第三方知识产权的暗示担保。

这些资源可供使用 TI 产品进行设计的熟练开发人员使用。您将自行承担以下全部责任：(1) 针对您的应用选择合适的 TI 产品，(2) 设计、验证并测试您的应用，(3) 确保您的应用满足相应标准以及任何其他功能安全、信息安全、监管或其他要求。

这些资源如有变更，恕不另行通知。TI 授权您仅可将这些资源用于研发本资源所述的 TI 产品的应用。严禁对这些资源进行其他复制或展示。您无权使用任何其他 TI 知识产权或任何第三方知识产权。您应全额赔偿因在这些资源的使用中对 TI 及其代表造成的任何索赔、损害、成本、损失和债务，TI 对此概不负责。

TI 提供的产品受 [TI 的销售条款](#) 或 [ti.com](#) 上其他适用条款/TI 产品随附的其他适用条款的约束。TI 提供这些资源并不会扩展或以其他方式更改 TI 针对 TI 产品发布的适用的担保或担保免责声明。

TI 反对并拒绝您可能提出的任何其他或不同的条款。

邮寄地址：Texas Instruments, Post Office Box 655303, Dallas, Texas 75265
Copyright © 2024，德州仪器 (TI) 公司