

# TMUX810x 具有闩锁效应抑制和 1.8V 逻辑电平的 100V、扁平 R<sub>ON</sub>、单路 8:1 和双路 4:1 多路复用器

## 1 特性

- 支持高电源电压：
  - 双电源：±10V 至 ±50V
  - 单电源：10V 至 100V
  - 非对称双电源运行
- 在整个电源电压范围内提供一致的参数性能
- [闩锁效应抑制](#)
- 低串扰：-110dB
- 低输入泄漏电流：40pA
- 低导通电阻平坦度：0.5 Ω
- 无需额外逻辑轨 (V<sub>L</sub>)
- 支持 1.8V 逻辑电平
- 失效防护逻辑：高达 48V (与电源无关)
- 逻辑引脚上的集成下拉电阻器
- 双向信号路径
- 先断后合开关
- 宽工作温度 T<sub>A</sub>：-40°C 至 125°C
- 业界通用的 TSSOP 封装和较小的 WQFN 封装

## 2 应用

- 高电压双向切换
- 模拟和数字多路复用和多路信号分离
- [半导体测试设备](#)
- [LCD 测试设备](#)
- 电池测试设备
- 数据采集系统 (DAQ)
- 数字万用表 (DMM)
- 工厂自动化和控制
- 可编程逻辑控制器 (PLC)
- 模拟输入模块

## 3 说明

TMUX8108 和 TMUX8109 是支持高电压的现代模拟多路复用器，可采用 8:1 (单端) 和 4:1 (差分) 配置。此器件可在双电源、单电源或非对称电源供电时正常运行，最大电源电压为 100V。TMUX810x 器件可在整个电源电压范围内提供一致的模拟参数性能。TMUX8108 和 TMUX8109 可在源极 (Sx) 和漏极 (D) 引脚上支持双向模拟和数字信号。

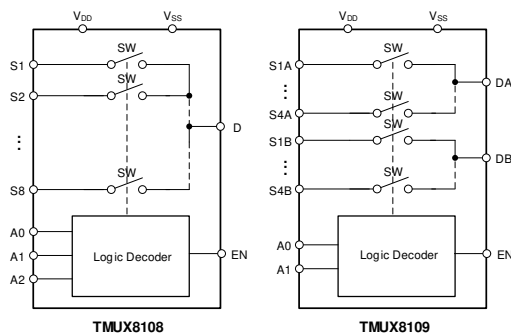
所有逻辑输入均支持 1.8V、3.3V、5V 的逻辑电平，并可在电压高达 48V 时进行连接，从而通过控制信号电压实现系统灵活性。失效防护逻辑电路允许在施加电源引脚上的电压之前，先施加逻辑引脚上的电压，从而保护器件免受潜在的损害。

此器件系列具有闩锁效应抑制功能，可防止器件内寄生结构之间的大电流不良事件。闩锁状态通常会一直持续到电源轨关闭为止，并可能导致器件故障。凭借闩锁效应抑制功能，此系列多路复用器能够在恶劣的环境中使用。

### 封装信息

器件型号 <sup>(1)</sup>	封装 <sup>(2)</sup>	封装尺寸 <sup>(3)</sup>
TMUX8108	PW (TSSOP, 16)	5 mm × 6.4 mm
TMUX8109	RUM (WQFN, 16)	4mm × 4mm

- 请参阅 [器件比较](#)。
- 如需了解所有可用封装，请参阅数据表末尾的可订购产品附录。
- 封装尺寸 (长 × 宽) 为标称值，并包括引脚 (如适用)。



TMUX8108 和 TMUX8109 方框图



## Table of Contents

<b>1 特性</b> .....	1	8.5 Enable Turn-on and Turn-off Time.....	21
<b>2 应用</b> .....	1	8.6 Transition Time.....	21
<b>3 说明</b> .....	1	8.7 Charge Injection.....	22
<b>4 Revision History</b> .....	2	8.8 Off Isolation.....	22
<b>5 Device Comparison Table</b> .....	3	8.9 Crosstalk.....	23
<b>6 Pin Configuration and Functions</b> .....	3	8.10 Bandwidth.....	24
<b>7 Specifications</b> .....	5	8.11 THD + Noise.....	24
7.1 Absolute Maximum Ratings: TMUX810x Devices.....	5	<b>9 Detailed Description</b> .....	26
7.2 ESD Ratings.....	5	9.1 Overview.....	26
7.3 Recommended Operating Conditions:		9.2 Functional Block Diagram.....	26
TMUX810x Devices.....	6	9.3 Feature Description.....	26
7.4 Thermal Information.....	6	9.4 Device Functional Modes.....	28
7.5 Electrical Characteristics (Global): TMUX810x		<b>10 Application and Implementation</b> .....	29
Devices.....	7	10.1 Application Information.....	29
7.6 Electrical Characteristics ( $\pm 15$ -V Dual Supply).....	7	10.2 Typical Application.....	29
7.7 Electrical Characteristics ( $\pm 36$ -V Dual Supply).....	9	10.3 Power Supply Recommendations.....	31
7.8 Electrical Characteristics ( $\pm 50$ -V Dual Supply).....	10	10.4 Layout.....	31
7.9 Electrical Characteristics (72-V Single Supply).....	11	<b>11 Device and Documentation Support</b> .....	34
7.10 Electrical Characteristics (100-V Single Supply).....	12	11.1 Documentation Support.....	34
7.11 Switching Characteristics: TMUX810x Devices.....	13	11.2 接收文档更新通知.....	34
7.12 Typical Characteristics.....	14	11.3 支持资源.....	34
<b>8 Parameter Measurement Information</b> .....	19	11.4 Trademarks.....	34
8.1 On-Resistance.....	19	11.5 静电放电警告.....	34
8.2 Off-Leakage Current.....	19	11.6 术语表.....	34
8.3 On-Leakage Current.....	20	<b>12 Mechanical, Packaging, and Orderable</b>	
8.4 Break-Before-Make Delay.....	20	<b>Information</b> .....	34

## 4 Revision History

注：以前版本的页码可能与当前版本的页码不同

Changes from Revision A (December 2021) to Revision B (August 2023)	Page
• 将 RUM 封装状态从 预发布 更改为 正在供货 .....	1

Changes from Revision * (September 2021) to Revision A (December 2021)	Page
• 将数据表的状态从 预告信息 更改为 “量产数据” .....	1

## 5 Device Comparison Table

PRODUCT	DESCRIPTION
TMUX8108	Single channel 8:1 multiplexer
TMUX8109	Dual channel 4:1 multiplexer

## 6 Pin Configuration and Functions

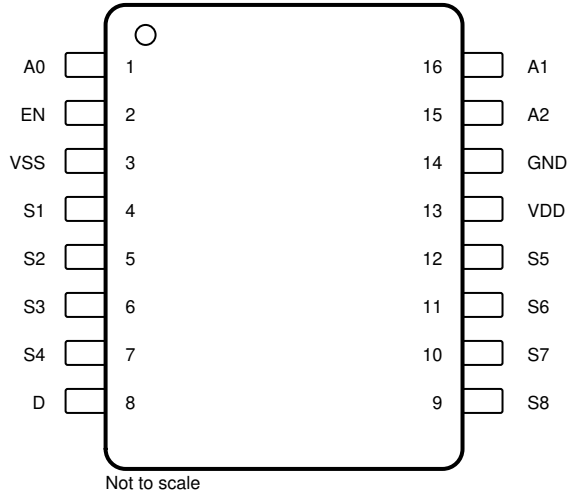


图 6-1. PW Package, 16-Pin TSSOP (Top View)

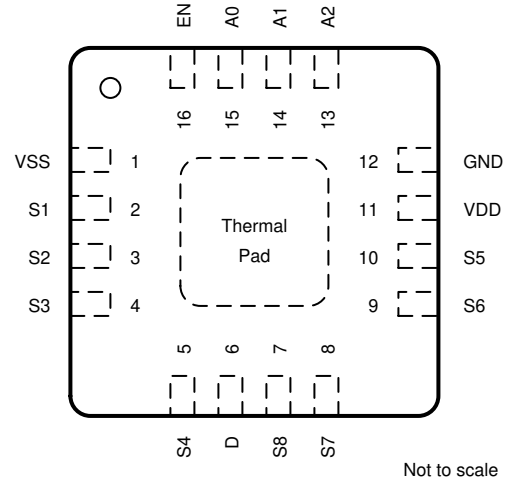


图 6-2. RUM Package 16-Pin WQFN (Top View)

表 6-1. Pin Functions: TMUX8108

NAME	PIN		TYPE <sup>(1)</sup>	DESCRIPTION
	TSSOP	WQFN		
A0	1	15	I	Logic control input address 0 (A0).
EN	2	16	I	Active high digital enable (EN) pin. The device is disabled and all switches become high impedance when the pin is low. When the pin is high, the Ax logic inputs determine individual switch states.
V <sub>SS</sub>	3	1	P	Negative power supply. This pin is the most negative power-supply potential. In single-supply applications, this pin can be connected to ground. For reliable operation, connect a decoupling capacitor ranging from 0.1 μF to 10 μF between V <sub>SS</sub> and GND.
S1	4	2	I/O	Source pin 1. Can be an input or output.
S2	5	3	I/O	Source pin 2. Can be an input or output.
S3	6	4	I/O	Source pin 3. Can be an input or output.
S4	7	5	I/O	Source pin 4. Can be an input or output.
D	8	6	I/O	Drain pin. Can be an input or output.
S8	9	7	I/O	Source pin 8. Can be an input or output.
S7	10	8	I/O	Source pin 7. Can be an input or output.
S6	11	9	I/O	Source pin 6. Can be an input or output.
S5	12	10	I/O	Source pin 5. Can be an input or output.
V <sub>DD</sub>	13	11	P	Positive power supply. This pin is the most positive power-supply potential. For reliable operation, connect a decoupling capacitor ranging from 0.1 μF to 10 μF between V <sub>DD</sub> and GND.
GND	14	12	P	Ground (0 V) reference
A2	15	13	I	Logic control input address 2 (A2).
A1	16	14	I	Logic control input address 1 (A1).
Thermal Pad			—	The thermal pad is not connected internally. It is recommended to tie the pad to GND or V <sub>SS</sub> for the best performance.

(1) I = input, O = output, I/O = input and output, P = power

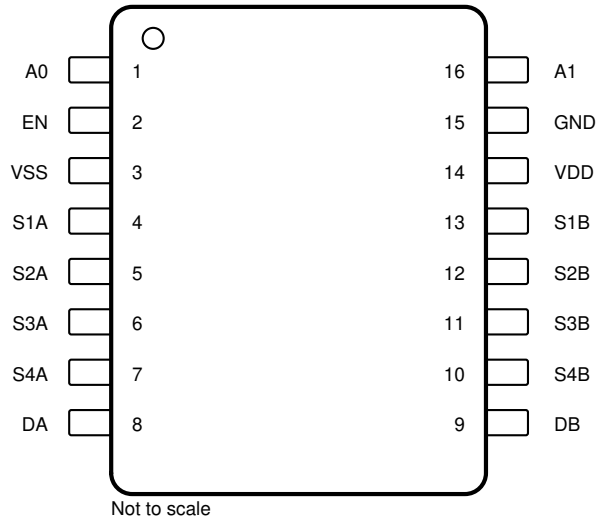


图 6-3. PW Package, 16-Pin TSSOP (Top View)

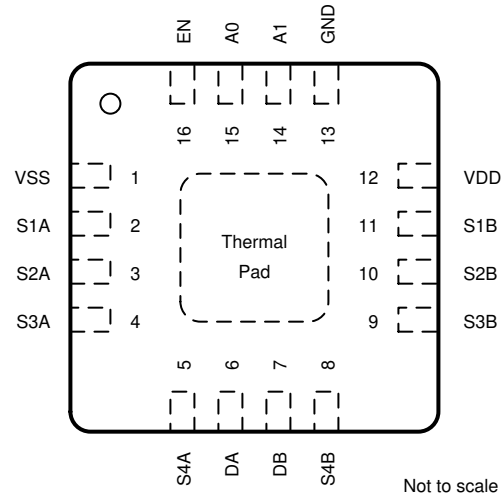


图 6-4. RUM Package, 16-Pin WQFN (Top View)

表 6-2. Pin Functions: TMUX8109

NAME	PIN		TYPE <sup>(1)</sup>	DESCRIPTION
	TSSOP	WQFN		
A0	1	15	I	Logic control input address 0 (A0).
EN	2	16	I	Active high digital enable (EN) pin. The device is disabled and all switches become high impedance when the pin is low. When the pin is high, the Ax logic inputs determine individual switch states.
V <sub>SS</sub>	3	1	P	Negative power supply. This pin is the most negative power-supply potential. In single-supply applications, this pin can be connected to ground. For reliable operation, connect a decoupling capacitor ranging from 0.1 μF to 10 μF between V <sub>SS</sub> and GND.
S1A	4	2	I/O	Source pin 1A. Can be an input or output.
S2A	5	3	I/O	Source pin 2A. Can be an input or output.
S3A	6	4	I/O	Source pin 3A. Can be an input or output.
S4A	7	5	I/O	Source pin 4A. Can be an input or output.
DA	8	6	I/O	Drain terminal A. Can be an input or output.
DB	9	7	I/O	Drain terminal B. Can be an input or output.
S4B	10	8	I/O	Source pin 4B. Can be an input or output.
S3B	11	9	I/O	Source pin 3B. Can be an input or output.
S2B	12	10	I/O	Source pin 2B. Can be an input or output.
S1B	13	11	I/O	Source pin 1B. Can be an input or output.
V <sub>DD</sub>	14	12	P	Positive power supply. This pin is the most positive power-supply potential. For reliable operation, connect a decoupling capacitor ranging from 0.1 μF to 10 μF between V <sub>DD</sub> and GND.
GND	15	13	P	Ground (0 V) reference
A1	16	14	I	Logic control input address 1 (A1).
Thermal Pad			—	The thermal pad is not connected internally. It is recommended to tie the pad to GND or V <sub>SS</sub> for the best performance.

(1) I = input, O = output, I/O = input and output, P = power

## 7 Specifications

### 7.1 Absolute Maximum Ratings: TMUX810x Devices

over operating free-air temperature range (unless otherwise noted)<sup>(1)</sup>

		MIN	MAX	UNIT
$V_{DD} - V_{SS}$	Supply voltage		110	V
$V_{DD}$		- 0.5	110	V
$V_{SS}$		- 110	0.5	V
$V_{Ax}$ or $V_{EN}$	Logic control input pin voltage (Ax, EN)	- 0.5	50	V
$I_{Ax}$ or $I_{EN}$	Logic control input pin current (Ax, EN)	- 30	30	mA
$V_S$ or $V_D$	Source or drain voltage (Sx, D)	$V_{SS} - 2$	$V_{DD} + 2$	V
$I_{DC}$ (CONT)	Source or drain continuous current (Sx, D)	- 100	100	mA
$I_{IK}$ <sup>(2)</sup>	Diode clamp current at 85°C	- 100	100	mA
	Diode clamp current at 125°C	- 15	15	mA
$T_{stg}$	Storage temperature	- 65	150	°C
$T_A$	Ambient temperature	- 55	150	°C
$T_J$	Junction temperature		150	°C
$P_{tot}$ <sup>(3)</sup>	Total power dissipation (TSSOP)		720	mW

- (1) Operation outside the *Absolute Maximum Ratings* may cause permanent device damage. Absolute maximum ratings do not imply functional operation of the device at these or any other conditions beyond those listed under *Recommended Operating Conditions*. If briefly operating outside the *Recommended Operating Conditions* but within the *Absolute Maximum Ratings*, the device may not sustain damage, but it may not be fully functional. Operating the device in this manner may affect device reliability, functionality, performance, and shorten the device lifetime.
- (2) Pins are diode-clamped to the power-supply rails. Over voltage signals must be voltage and current limited to maximum ratings.
- (3) For TSSOP package:  $P_{tot}$  derates linearly above  $T_A = 70^\circ\text{C}$  by 10.5 mW/°C

### 7.2 ESD Ratings

			VALUE	UNIT
$V_{(ESD)}$	Electrostatic discharge	Human body model (HBM), per ANSI/ESDA/JEDEC JS-001, all pins <sup>(1)</sup>	±2000	V
		Charged device model (CDM), per ANSI/ESDA/JEDEC JS-002, all pins <sup>(2)</sup>	±500	

- (1) JEDEC document JEP155 states that 500-V HBM allows safe manufacturing with a standard ESD control process.
- (2) JEDEC document JEP157 states that 250-V CDM allows safe manufacturing with a standard ESD control process.

### 7.3 Recommended Operating Conditions: TMUX810x Devices

over operating free-air temperature range (unless otherwise noted)

		MIN	NOM	MAX	UNIT
$V_{DD} - V_{SS}$ <sup>(1)</sup>	Power supply voltage differential	10		100	V
$V_{DD}$	Positive power supply voltage	10		100	V
$V_S$ or $V_D$ <sup>(2)</sup>	Signal path input/output voltage (source or drain pin)	$V_{SS}$		$V_{DD}$	V
$V_A$ or $V_{EN}$	Address or enable pin voltage	0		48	V
$T_A$	Ambient temperature	- 40		125	°C
$V_S$ or $V_D$ <sup>(2)</sup>	Signal path input/output voltage (source or drain pin)	$V_{SS}$		$V_{DD}$	V
$T_A$	Ambient temperature	- 40		125	°C
$I_{DC}$ 1ch. <sup>(3)</sup>	Continuous current through switch for TSSOP or QFN on 1 channel			100	mA
$I_{DC}$ All ch. <sup>(4)</sup>	Continuous current through switch on all channels at the same time, TSSOP package	$T_A = 25^\circ\text{C}$		75	mA
		$T_A = 85^\circ\text{C}$		50	mA
		$T_A = 125^\circ\text{C}$		25	mA

(1)  $V_{DD}$  and  $V_{SS}$  can be any value as long as  $10\text{ V} \leq (V_{DD} - V_{SS}) \leq 100\text{ V}$ , and the minimum  $V_{DD}$  is met.

(2)  $V_S$  or  $V_D$  is the voltage on any Source or Drain pins.

(3) Max continuous current shown for a single channel at a time.

(4) Max continuous current shown for all channels at a time. Refer to the maximum power dissipation ( $P_{tot}$ ) so that the package limitations are not violated.

### 7.4 Thermal Information

THERMAL METRIC <sup>(1)</sup>		TMUX8108	TMUX8109	TMUX8108 TMUX8109	UNIT
		PW (TSSOP)	PW (TSSOP)	RUM (QFN)	
		16 PINS	16 PINS	16 PINS	
$R_{\theta JA}$	Junction-to-ambient thermal resistance	97.0	96.4	41.9	°C/W
$R_{\theta JC(top)}$	Junction-to-case (top) thermal resistance	26.7	26.5	25.8	°C/W
$R_{\theta JB}$	Junction-to-board thermal resistance	43.8	43.1	17.0	°C/W
$\Psi_{JT}$	Junction-to-top characterization parameter	1.1	1.1	0.3	°C/W
$\Psi_{JB}$	Junction-to-board characterization parameter	43.1	42.5	17.0	°C/W
$R_{\theta JC(bot)}$	Junction-to-case (bottom) thermal resistance	N/A	N/A	3.2	°C/W

(1) For more information about traditional and new thermal metrics, see the [Semiconductor and IC Package Thermal Metrics](#) application report.

## 7.5 Electrical Characteristics (Global): TMUX810x Devices

over operating free-air temperature range (unless otherwise noted)

typical at  $V_{DD} = +36\text{ V}$ ,  $V_{SS} = -36\text{ V}$ ,  $GND = 0\text{ V}$  and  $T_A = 25^\circ\text{C}$  (unless otherwise noted)

PARAMETER		TEST CONDITIONS	$T_A$	MIN	TYP	MAX	UNIT
<b>LOGIC INPUTS</b>							
$V_{IH}$	Logic voltage high		$-40^\circ\text{C}$ to $+125^\circ\text{C}$	1.3		48	V
$V_{IL}$	Logic voltage low		$-40^\circ\text{C}$ to $+125^\circ\text{C}$	0		0.8	V
$I_{IH}$	Input leakage current	Logic inputs = 0 V, 5 V, or 48 V	$-40^\circ\text{C}$ to $+125^\circ\text{C}$		0.4	3.8	$\mu\text{A}$
$I_{IL}$	Input leakage current	Logic inputs = 0 V, 5 V, or 48 V	$-40^\circ\text{C}$ to $+125^\circ\text{C}$	-0.2	-0.005		$\mu\text{A}$
$C_{IN}$	Logic input capacitance		$-40^\circ\text{C}$ to $+125^\circ\text{C}$		3		pF
<b>POWER SUPPLY</b>							
$I_{DD}$	$V_{DD}$ supply current	Logic inputs = 0 V, 5 V, or 48 V	$25^\circ\text{C}$		250	500	$\mu\text{A}$
			$-40^\circ\text{C}$ to $+85^\circ\text{C}$			500	$\mu\text{A}$
			$-40^\circ\text{C}$ to $+125^\circ\text{C}$			500	$\mu\text{A}$
$I_{SS}$	$V_{SS}$ supply current	Logic inputs = 0 V, 5 V, or 48 V	$25^\circ\text{C}$		250	420	$\mu\text{A}$
			$-40^\circ\text{C}$ to $+85^\circ\text{C}$			420	$\mu\text{A}$
			$-40^\circ\text{C}$ to $+125^\circ\text{C}$			420	$\mu\text{A}$

## 7.6 Electrical Characteristics ( $\pm 15\text{-V}$ Dual Supply)

$V_{DD} = +15\text{ V} \pm 10\%$ ,  $V_{SS} = -15\text{ V} \pm 10\%$ ,  $GND = 0\text{ V}$  (unless otherwise noted)

Typical at  $T_A = 25^\circ\text{C}$  (unless otherwise noted)

PARAMETER		TEST CONDITIONS	$T_A$	MIN	TYP	MAX	UNIT
<b>ANALOG SWITCH</b>							
$R_{ON}$	On-resistance	$V_S = -10\text{ V}$ to $+10\text{ V}$ $I_D = -5\text{ mA}$	$25^\circ\text{C}$		38	55	$\Omega$
			$-40^\circ\text{C}$ to $+85^\circ\text{C}$			75	
			$-40^\circ\text{C}$ to $+125^\circ\text{C}$			90	
$\Delta R_{ON}$	On-resistance mismatch between channels	$V_S = -10\text{ V}$ to $+10\text{ V}$ $I_D = -5\text{ mA}$	$25^\circ\text{C}$		0.65		$\Omega$
			$-40^\circ\text{C}$ to $+85^\circ\text{C}$			1.5	
			$-40^\circ\text{C}$ to $+125^\circ\text{C}$			2.1	
$R_{ON\text{ FLAT}}$	On-resistance flatness	$V_S = -10\text{ V}$ to $+10\text{ V}$ $I_D = -5\text{ mA}$	$25^\circ\text{C}$		0.5		$\Omega$
$R_{ON\text{ DRIFT}}$	On-resistance drift	$V_S = 0\text{ V}$ , $I_S = -5\text{ mA}$	$-40^\circ\text{C}$ to $+125^\circ\text{C}$		0.25		$\Omega/^\circ\text{C}$
$I_{S(OFF)}$	Source off leakage current <sup>(1)</sup>	$V_{DD} = 16.5\text{ V}$ , $V_{SS} = -16.5\text{ V}$ Switch state is off $V_S = +10\text{ V}$ / $-10\text{ V}$ $V_D = -10\text{ V}$ / $+10\text{ V}$	$25^\circ\text{C}$		0.01		nA
			$-40^\circ\text{C}$ to $+85^\circ\text{C}$		-3	3	
			$-40^\circ\text{C}$ to $+125^\circ\text{C}$		-15	15	
$I_{D(OFF)}$	Drain off leakage current <sup>(1)</sup>	$V_{DD} = 16.5\text{ V}$ , $V_{SS} = -16.5\text{ V}$ Switch state is off $V_S = +10\text{ V}$ / $-10\text{ V}$ $V_D = -10\text{ V}$ / $+10\text{ V}$	$25^\circ\text{C}$		0.04		nA
			$-40^\circ\text{C}$ to $+85^\circ\text{C}$		-8	8	
			$-40^\circ\text{C}$ to $+125^\circ\text{C}$		-40	40	
$I_{S(ON)}$ $I_{D(ON)}$	Channel on leakage current <sup>(2)</sup>	$V_{DD} = 16.5\text{ V}$ , $V_{SS} = -16.5\text{ V}$ Switch state is on $V_S = V_D = \pm 10\text{ V}$	$25^\circ\text{C}$		0.04		nA
			$-40^\circ\text{C}$ to $+85^\circ\text{C}$		-8	8	
			$-40^\circ\text{C}$ to $+125^\circ\text{C}$		-40	40	
$\Delta I_{S(ON)}$ $\Delta I_{D(ON)}$	Leakage current mismatch between channels <sup>(2)</sup>	$V_{DD} = 16.5\text{ V}$ , $V_{SS} = -16.5\text{ V}$ Switch state is on $V_S = V_D = \pm 10\text{ V}$	$25^\circ\text{C}$		5		pA
			$85^\circ\text{C}$		50		
			$125^\circ\text{C}$		900		

(1) When  $V_S$  is positive,  $V_D$  is negative. And when  $V_S$  is negative,  $V_D$  is positive.

- (2) When  $V_S$  is at a voltage potential,  $V_D$  is floating. And when  $V_D$  is at a voltage potential,  $V_S$  is floating.



## 7.7 Electrical Characteristics ( $\pm 36$ -V Dual Supply)

 $V_{DD} = +36\text{ V} \pm 10\%$ ,  $V_{SS} = -36\text{ V} \pm 10\%$ , GND = 0 V (unless otherwise noted)

 Typical at  $T_A = 25^\circ\text{C}$  (unless otherwise noted)

PARAMETER		TEST CONDITIONS	$T_A$	MIN	TYP	MAX	UNIT
<b>ANALOG SWITCH</b>							
$R_{ON}$	On-resistance	$V_S = -25\text{ V to }+25\text{ V}$ $I_D = -5\text{ mA}$	25°C		38	48	$\Omega$
			-40°C to +85°C			65	
			-40°C to +125°C			80	
$\Delta R_{ON}$	On-resistance mismatch between channels	$V_S = -25\text{ V to }+25\text{ V}$ $I_D = -5\text{ mA}$	25°C		0.65		$\Omega$
			-40°C to +85°C			1.5	
			-40°C to +125°C			2.1	
$R_{ON\ FLAT}$	On-resistance flatness	$V_S = -25\text{ V to }+25\text{ V}$ $I_D = -5\text{ mA}$	25°C		0.9		$\Omega$
$R_{ON\ DRIFT}$	On-resistance drift	$V_S = 0\text{ V}$ , $I_S = -5\text{ mA}$	-40°C to +125°C		0.25		$\Omega/^\circ\text{C}$
$I_{S(OFF)}$	Source off leakage current <sup>(1)</sup>	$V_{DD} = 39.6\text{ V}$ , $V_{SS} = -39.6\text{ V}$ Switch state is off $V_S = +25\text{ V} / -25\text{ V}$ $V_D = -25\text{ V} / +25\text{ V}$	25°C		0.01		nA
			-40°C to +85°C		-3	3	
			-40°C to +125°C		-15	15	
$I_{D(OFF)}$	Drain off leakage current <sup>(1)</sup>	$V_{DD} = 39.6\text{ V}$ , $V_{SS} = -39.6\text{ V}$ Switch state is off $V_S = +25\text{ V} / -25\text{ V}$ $V_D = -25\text{ V} / +25\text{ V}$	25°C		0.06		nA
			-40°C to +85°C		-8	8	
			-40°C to +125°C		-40	40	
$I_{S(ON)}$ $I_{D(ON)}$	Channel on leakage current <sup>(2)</sup>	$V_{DD} = 39.6\text{ V}$ , $V_{SS} = -39.6\text{ V}$ Switch state is on $V_S = V_D = \pm 25\text{ V}$	25°C		0.06		nA
			-40°C to +85°C		-8	8	
			-40°C to +125°C		-40	40	
$\Delta I_{S(ON)}$ $\Delta I_{D(ON)}$	Leakage current mismatch between channels <sup>(2)</sup>	$V_{DD} = 39.6\text{ V}$ , $V_{SS} = -39.6\text{ V}$ Switch state is on $V_S = V_D = \pm 25\text{ V}$	25°C		5		pA
			85°C		30		
			125°C		100		

(1) When  $V_S$  is positive,  $V_D$  is negative. And when  $V_S$  is negative,  $V_D$  is positive.

(2) When  $V_S$  is at a voltage potential,  $V_D$  is floating. And when  $V_D$  is at a voltage potential,  $V_S$  is floating.

### 7.8 Electrical Characteristics ( $\pm 50\text{-V}$ Dual Supply)

$V_{DD} = +50\text{ V}$ ,  $V_{SS} = -50\text{ V}$ ,  $GND = 0\text{ V}$  (unless otherwise noted)

Typical at  $T_A = 25^\circ\text{C}$  (unless otherwise noted)

PARAMETER		TEST CONDITIONS	$T_A$	MIN	TYP	MAX	UNIT	
<b>ANALOG SWITCH</b>								
$R_{ON}$	On-resistance	$V_S = -45\text{ V to }+45\text{ V}$ $I_D = -5\text{ mA}$	25°C		38	48	$\Omega$	
			-40°C to +85°C			65		
			-40°C to +125°C			80		
$\Delta R_{ON}$	On-resistance mismatch between channels	$V_S = -45\text{ V to }+45\text{ V}$ $I_D = -5\text{ mA}$	25°C		0.65		$\Omega$	
			-40°C to +85°C			1.5		
			-40°C to +125°C			2.1		
$R_{ON\ FLAT}$	On-resistance flatness	$V_S = -45\text{ V to }+45\text{ V}$ $I_D = -5\text{ mA}$	25°C		1		$\Omega$	
$R_{ON\ DRIFT}$	On-resistance drift	$V_S = 0\text{ V}$ , $I_S = -5\text{ mA}$	-40°C to +125°C		0.25		$\Omega/^\circ\text{C}$	
$I_{S(OFF)}$	Source off leakage current <sup>(1)</sup>	$V_{DD} = 50\text{ V}$ , $V_{SS} = -50\text{ V}$ Switch state is off $V_S = +45\text{ V / }-45\text{ V}$ $V_D = -45\text{ V / }+45\text{ V}$	25°C		0.02		nA	
			-40°C to +85°C			-3		3
			-40°C to +125°C			-15		15
$I_{D(OFF)}$	Drain off leakage current <sup>(1)</sup>	$V_{DD} = 50\text{ V}$ , $V_{SS} = -50\text{ V}$ Switch state is off $V_S = +45\text{ V / }-45\text{ V}$ $V_D = -45\text{ V / }+45\text{ V}$	25°C		0.09		nA	
			-40°C to +85°C			-8		8
			-40°C to +125°C			-40		40
$I_{S(ON)}$ $I_{D(ON)}$	Channel on leakage current <sup>(2)</sup>	$V_{DD} = 50\text{ V}$ , $V_{SS} = -50\text{ V}$ Switch state is on $V_S = V_D = \pm 45\text{ V}$	25°C		0.09		nA	
			-40°C to +85°C			-8		8
			-40°C to +125°C			-40		40
$\Delta I_{S(ON)}$ $\Delta I_{D(ON)}$	Leakage current mismatch between channels <sup>(2)</sup>	$V_{DD} = 50\text{ V}$ , $V_{SS} = -50\text{ V}$ Switch state is on $V_S = V_D = \pm 45\text{ V}$	25°C		10		pA	
			85°C			40		
			125°C			170		

(1) When  $V_S$  is positive,  $V_D$  is negative. And when  $V_S$  is negative,  $V_D$  is positive.

(2) When  $V_S$  is at a voltage potential,  $V_D$  is floating. And when  $V_D$  is at a voltage potential,  $V_S$  is floating.

## 7.9 Electrical Characteristics (72-V Single Supply)

 $V_{DD} = +72\text{ V} \pm 10\%$ ,  $V_{SS} = 0\text{ V}$ ,  $GND = 0\text{ V}$  (unless otherwise noted)

 Typical at  $T_A = 25^\circ\text{C}$  (unless otherwise noted)

PARAMETER		TEST CONDITIONS	$T_A$	MIN	TYP	MAX	UNIT
<b>ANALOG SWITCH</b>							
$R_{ON}$	On-resistance	$V_S = 0\text{ V to }+60\text{ V}$ $I_D = -5\text{ mA}$	25°C		38	48	$\Omega$
			-40°C to +85°C			65	
			-40°C to +125°C			80	
$\Delta R_{ON}$	On-resistance mismatch between channels	$V_S = 0\text{ V to }+60\text{ V}$ $I_D = -5\text{ mA}$	25°C		0.65		$\Omega$
			-40°C to +85°C			1.5	
			-40°C to +125°C			2.1	
$R_{ON\ FLAT}$	On-resistance flatness	$V_S = 0\text{ V to }+60\text{ V}$ $I_D = -5\text{ mA}$	25°C		0.6		$\Omega$
$R_{ON\ DRIFT}$	On-resistance drift	$V_S = 0\text{ V}$ , $I_S = -5\text{ mA}$	-40°C to +125°C		0.25		$\Omega/^\circ\text{C}$
$I_{S(OFF)}$	Source off leakage current <sup>(1)</sup>	Switch state is off $V_S = +60\text{ V} / 1\text{ V}$ $V_D = 1\text{ V} / +60\text{ V}$	25°C		0.02		nA
			-40°C to +85°C		-3	3	
			-40°C to +125°C		-15	15	
$I_{D(OFF)}$	Drain off leakage current <sup>(1)</sup>	Switch state is off $V_S = +60\text{ V} / 1\text{ V}$ $V_D = 1\text{ V} / +60\text{ V}$	25°C		0.06		nA
			-40°C to +85°C		-8	8	
			-40°C to +125°C		-40	40	
$I_{S(ON)}$ $I_{D(ON)}$	Channel on leakage current <sup>(2)</sup>	Switch state is on $V_S = V_D = 1\text{ V} / +60\text{ V}$	25°C		0.07		nA
			-40°C to +85°C		-8	8	
			-40°C to +125°C		-40	40	
$\Delta I_{S(ON)}$ $\Delta I_{D(ON)}$	Leakage current mismatch between channels <sup>(2)</sup>	Switch state is on $V_S = V_D = 1\text{ V} / +60\text{ V}$	25°C		20		pA
			85°C		50		
			125°C		120		

(1) When  $V_S$  is 60 V,  $V_D$  is 1 V. Or when  $V_S$  is 1 V,  $V_D$  is 60 V.

(2) When  $V_S$  is at a voltage potential,  $V_D$  is floating. Or when  $V_D$  is at a voltage potential,  $V_S$  is floating.

### 7.10 Electrical Characteristics (100-V Single Supply)

$V_{DD} = +100\text{ V}$ ,  $V_{SS} = 0\text{ V}$ ,  $GND = 0\text{ V}$  (unless otherwise noted)

Typical at  $T_A = 25^\circ\text{C}$  (unless otherwise noted)

PARAMETER		TEST CONDITIONS	$T_A$	MIN	TYP	MAX	UNIT
<b>ANALOG SWITCH</b>							
$R_{ON}$	On-resistance	$V_S = 0\text{ V to }+95\text{ V}$ $I_D = -5\text{ mA}$	25°C		38	48	$\Omega$
			-40°C to +85°C			65	
			-40°C to +125°C			80	
$\Delta R_{ON}$	On-resistance mismatch between channels	$V_S = 0\text{ V to }+95\text{ V}$ $I_D = -5\text{ mA}$	25°C		0.65		$\Omega$
			-40°C to +85°C			1.5	
			-40°C to +125°C			2.1	
$R_{ON\ FLAT}$	On-resistance flatness	$V_S = 0\text{ V to }+95\text{ V}$ $I_D = -5\text{ mA}$	25°C		0.6		$\Omega$
$R_{ON\ DRIFT}$	On-resistance drift	$V_S = 0\text{ V}$ , $I_S = -5\text{ mA}$	-40°C to +125°C		0.25		$\Omega/^\circ\text{C}$
$I_{S(OFF)}$	Source off leakage current <sup>(1)</sup>	Switch state is off $V_S = +95\text{ V} / 1\text{ V}$ $V_D = 1\text{ V} / +95\text{ V}$	25°C		0.02		nA
			-40°C to +85°C		-3	3	
			-40°C to +125°C		-15	15	
$I_{D(OFF)}$	Drain off leakage current <sup>(1)</sup>	Switch state is off $V_S = +95\text{ V} / 1\text{ V}$ $V_D = 1\text{ V} / +95\text{ V}$	25°C		0.09		nA
			-40°C to +85°C		-8	8	
			-40°C to +125°C		-40	40	
$I_{S(ON)}$ $I_{D(ON)}$	Channel on leakage current <sup>(2)</sup>	Switch state is on $V_S = V_D = 1\text{ V} / +95\text{ V}$	25°C		0.1		nA
			-40°C to +85°C		-8	8	
			-40°C to +125°C		-40	40	
$\Delta I_{S(ON)}$ $\Delta I_{D(ON)}$	Leakage current mismatch between channels <sup>(2)</sup>	Switch state is on $V_S = V_D = 1\text{ V} / +95\text{ V}$	25°C		50		pA
			85°C		120		
			125°C		350		

(1) When  $V_S$  is 95 V,  $V_D$  is 1 V. Or when  $V_S$  is 1 V,  $V_D$  is 95 V.

(2) When  $V_S$  is at a voltage potential,  $V_D$  is floating. Or when  $V_D$  is at a voltage potential,  $V_S$  is floating.

## 7.11 Switching Characteristics: TMUX810x Devices

over operating free-air temperature range (unless otherwise noted)

 typical at  $V_{DD} = +36\text{ V}$ ,  $V_{SS} = -36\text{ V}$ ,  $GND = 0\text{ V}$  and  $T_A = 25^\circ\text{C}$  (unless otherwise noted)

PARAMETER		TEST CONDITIONS	$T_A$	MIN	TYP	MAX	UNIT
$t_{\text{TRAN}}$	Transition time from control input	$V_S = 10\text{ V}$ $R_L = 10\text{ k}\Omega$ , $C_L = 15\text{ pF}$	25°C		3		$\mu\text{s}$
			-40°C to +85°C			10	
			-40°C to +125°C			12	
$t_{\text{ON (EN)}}$	Turn-on time from enable	$V_S = 10\text{ V}$ $R_L = 10\text{ k}\Omega$ , $C_L = 15\text{ pF}$	25°C		3		$\mu\text{s}$
			-40°C to +85°C			14	
			-40°C to +125°C			15	
$t_{\text{OFF (EN)}}$	Turn-off time from enable	$V_S = 10\text{ V}$ $R_L = 10\text{ k}\Omega$ , $C_L = 15\text{ pF}$	25°C		0.65		$\mu\text{s}$
			-40°C to +85°C			3	
			-40°C to +125°C			3	
$t_{\text{BBM}}$	Break-before-make time delay	$V_S = 10\text{ V}$ , $R_L = 10\text{ k}\Omega$ , $C_L = 15\text{ pF}$	25°C		3		$\mu\text{s}$
			-40°C to +85°C		0.1		
			-40°C to +125°C		0.1		
$T_{\text{ON (VDD)}}$	Device turn on time (V <sub>DD</sub> to output)	$V_{\text{DD}}$ ramp rate = 1 V/ $\mu\text{s}$ , $V_S = 10\text{ V}$ , $R_L = 10\text{ k}\Omega$ , $C_L = 15\text{ pF}$	25°C		75		$\mu\text{s}$
$t_{\text{PD}}$	Propagation delay	$R_L = 50\ \Omega$ , $C_L = 5\text{ pF}$	25°C		550		ps
$Q_{\text{INJ}}$	Charge injection	$V_S = (V_{\text{DD}} + V_{\text{SS}}) / 2$ , $C_L = 1\text{ nF}$	25°C		-150		pC
$O_{\text{ISO}}$	Off isolation	$R_L = 50\ \Omega$ , $C_L = 5\text{ pF}$ $V_S = (V_{\text{DD}} + V_{\text{SS}}) / 2$ , $f = 1\text{ MHz}$	25°C		-110		dB
$X_{\text{TALK}}$	Crosstalk	$R_L = 50\ \Omega$ , $C_L = 5\text{ pF}$ $V_S = (V_{\text{DD}} + V_{\text{SS}}) / 2$ , $f = 1\text{ MHz}$	25°C		-110		dB
BW	-3dB bandwidth (TMUX8108)	$R_L = 50\ \Omega$ , $C_L = 5\text{ pF}$	25°C		200		MHz
BW	-3dB bandwidth (TMUX8109)	$V_S = (V_{\text{DD}} + V_{\text{SS}}) / 2$			380		
$I_L$	Insertion loss	$R_L = 50\ \Omega$ , $C_L = 5\text{ pF}$ $V_S = (V_{\text{DD}} + V_{\text{SS}}) / 2$ , $f = 1\text{ MHz}$	25°C		-2.8		dB
THD+N	Total harmonic distortion + Noise	Dual supply voltage $V_{\text{PP}} = 5\text{ V}$ , $V_{\text{BIAS}} = (V_{\text{DD}} + V_{\text{SS}}) / 2$ $R_L = 1\text{ k}\Omega$ , $C_L = 5\text{ pF}$ , $f = 20\text{ Hz}$ to 20 kHz	25°C		0.003		%
$C_{\text{S(OFF)}}$	Source off capacitance	$V_S = (V_{\text{DD}} + V_{\text{SS}}) / 2$ , $f = 1\text{ MHz}$	25°C		3		pF
$C_{\text{D(OFF)}}$	Drain off capacitance (TMUX8108)	$V_S = (V_{\text{DD}} + V_{\text{SS}}) / 2$ , $f = 1\text{ MHz}$	25°C		20		pF
$C_{\text{D(OFF)}}$	Drain off capacitance (TMUX8109)	$V_S = (V_{\text{DD}} + V_{\text{SS}}) / 2$ , $f = 1\text{ MHz}$	25°C		10		pF
$C_{\text{S(ON)}}$ , $C_{\text{D(ON)}}$	On capacitance (TMUX8108)	$V_S = (V_{\text{DD}} + V_{\text{SS}}) / 2$ , $f = 1\text{ MHz}$	25°C		21		pF
$C_{\text{S(ON)}}$ , $C_{\text{D(ON)}}$	On capacitance (TMUX8109)	$V_S = (V_{\text{DD}} + V_{\text{SS}}) / 2$ , $f = 1\text{ MHz}$	25°C		12		pF

## 7.12 Typical Characteristics

at  $T_A = 25^\circ\text{C}$ ,  $V_{DD} = +36\text{ V}$ , and  $V_{SS} = -36\text{ V}$  (unless otherwise noted)

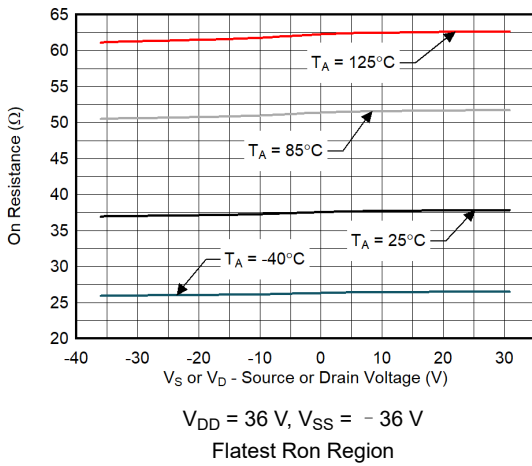


图 7-1. On-Resistance vs Source or Drain Voltage

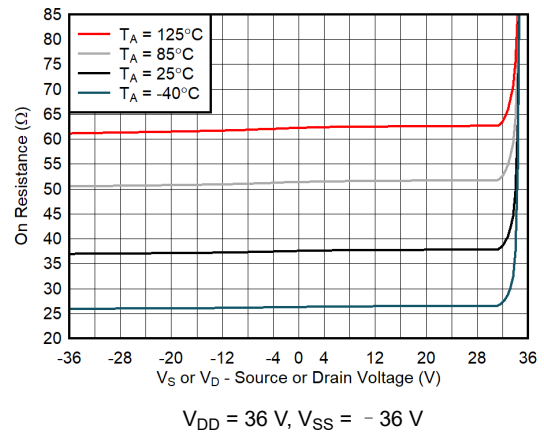


图 7-2. On-Resistance vs Source or Drain Voltage

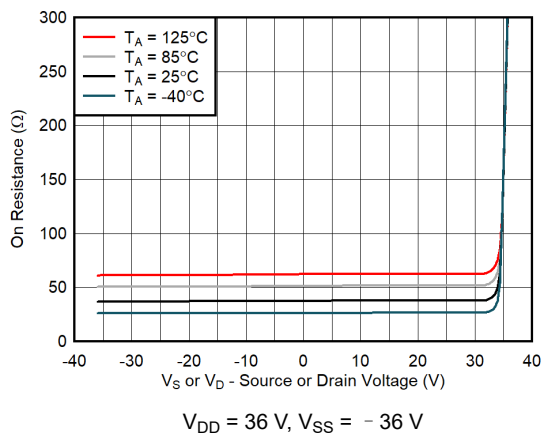


图 7-3. On-Resistance vs Source or Drain Voltage

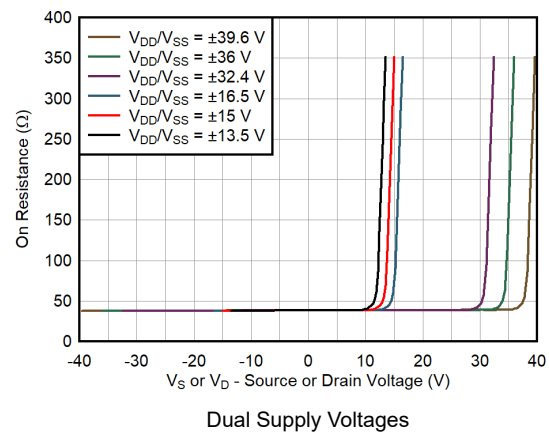


图 7-4. On-Resistance vs Source or Drain Voltage

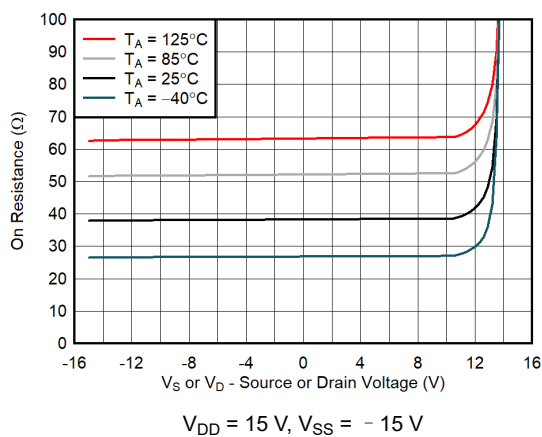


图 7-5. On-Resistance vs Source or Drain Voltage

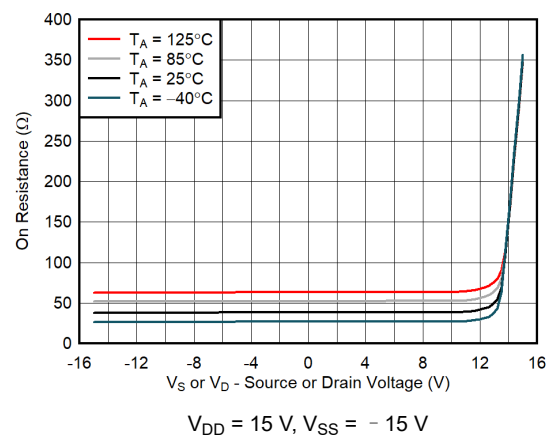
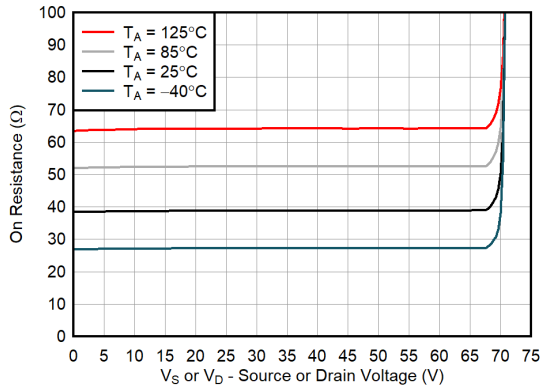


图 7-6. On-Resistance vs Source or Drain Voltage

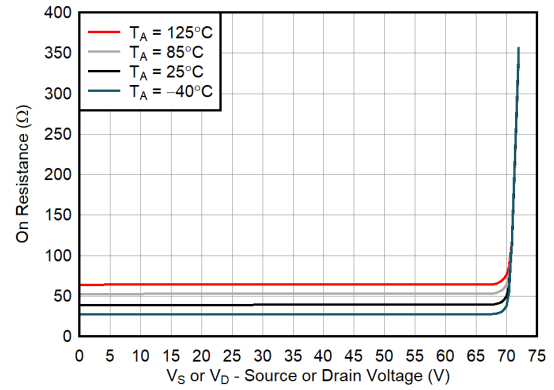
## 7.12 Typical Characteristics (continued)

at  $T_A = 25^\circ\text{C}$ ,  $V_{DD} = +36\text{ V}$ , and  $V_{SS} = -36\text{ V}$  (unless otherwise noted)



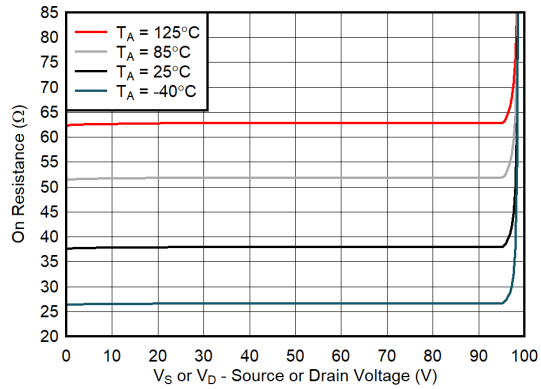
$V_{DD} = 72\text{ V}$ ,  $V_{SS} = 0\text{ V}$

图 7-7. On-Resistance vs Source or Drain Voltage



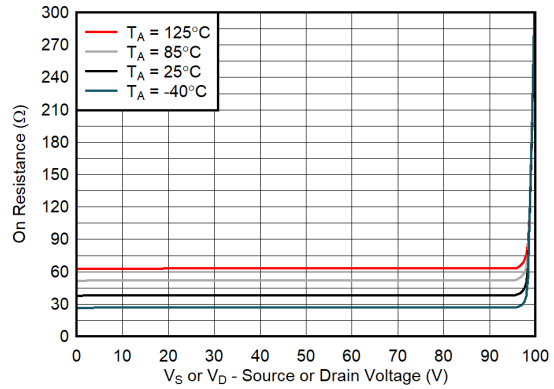
$V_{DD} = 72\text{ V}$ ,  $V_{SS} = 0\text{ V}$

图 7-8. On-Resistance vs Source or Drain Voltage



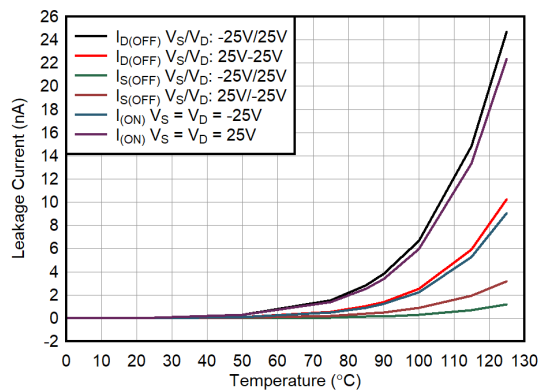
$V_{DD} = 100\text{ V}$ ,  $V_{SS} = 0\text{ V}$

图 7-9. On-Resistance vs Source or Drain Voltage



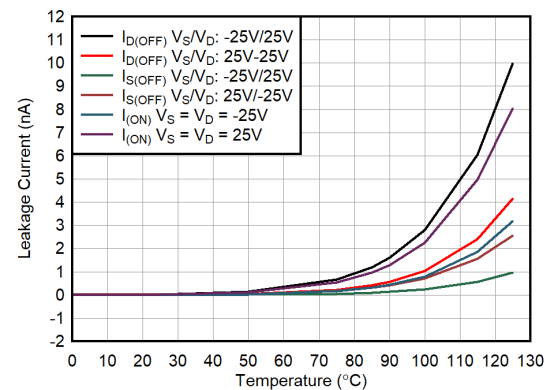
$V_{DD} = 100\text{ V}$ ,  $V_{SS} = 0\text{ V}$

图 7-10. On-Resistance vs Source or Drain Voltage



$V_{DD} = 36\text{ V}$ ,  $V_{SS} = -36\text{ V}$   
TMUX8108

图 7-11. Leakage Current vs Temperature

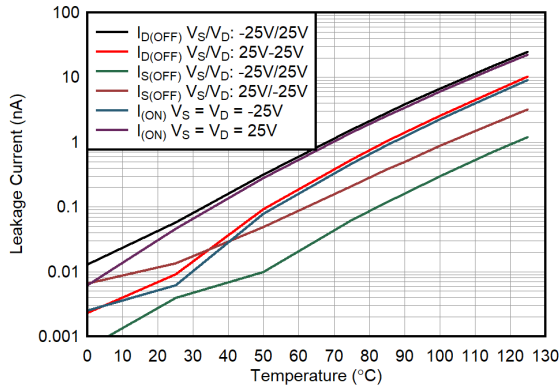


$V_{DD} = 36\text{ V}$ ,  $V_{SS} = -36\text{ V}$   
TMUX8109

图 7-12. Leakage Current vs Temperature

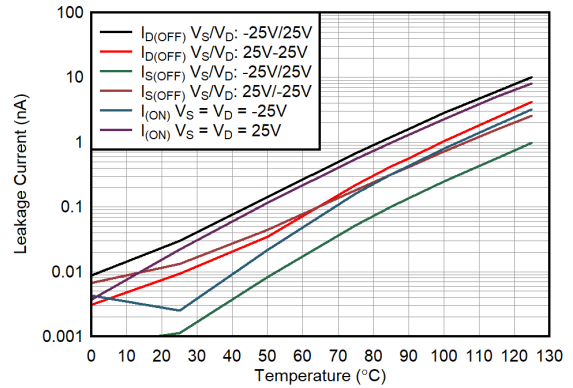
### 7.12 Typical Characteristics (continued)

at  $T_A = 25^\circ\text{C}$ ,  $V_{DD} = +36\text{ V}$ , and  $V_{SS} = -36\text{ V}$  (unless otherwise noted)



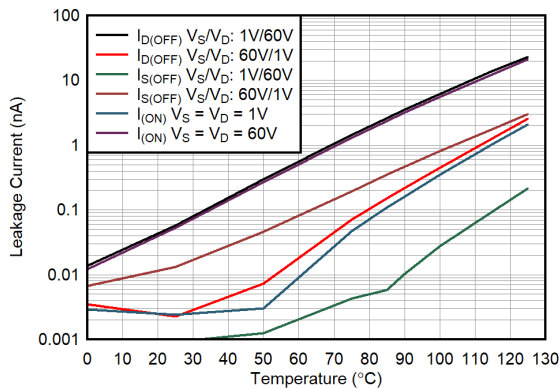
$V_{DD} = 36\text{ V}$ ,  $V_{SS} = -36\text{ V}$   
TMUX8108

图 7-13. Leakage Current vs Temperature



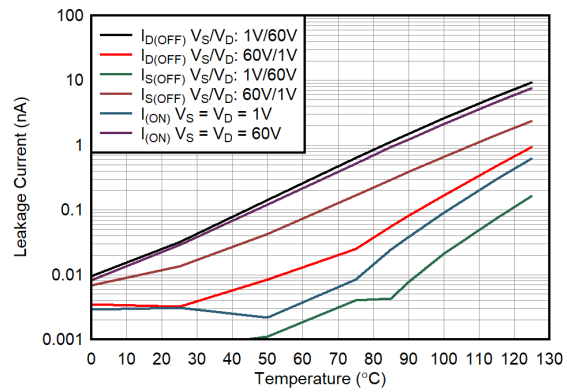
$V_{DD} = 36\text{ V}$ ,  $V_{SS} = -36\text{ V}$   
TMUX8109

图 7-14. Leakage Current vs Temperature



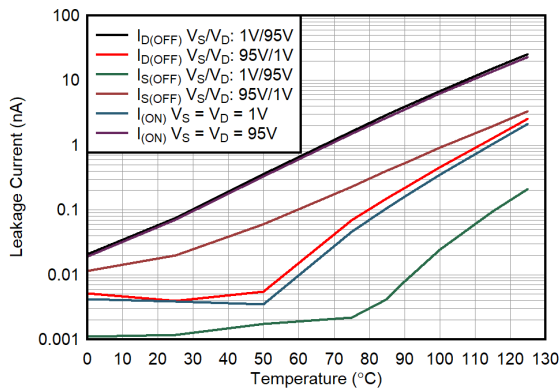
$V_{DD} = 72\text{ V}$ ,  $V_{SS} = 0\text{ V}$   
TMUX8108

图 7-15. Leakage Current vs Temperature



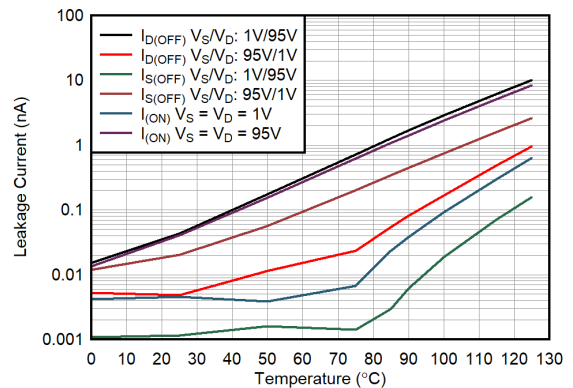
$V_{DD} = 72\text{ V}$ ,  $V_{SS} = 0\text{ V}$   
TMUX8109

图 7-16. Leakage Current vs Temperature



$V_{DD} = 100\text{ V}$ ,  $V_{SS} = 0\text{ V}$   
TMUX8108

图 7-17. Leakage Current vs Temperature



$V_{DD} = 100\text{ V}$ ,  $V_{SS} = 0\text{ V}$   
TMUX8109

图 7-18. Leakage Current vs Temperature



### 7.12 Typical Characteristics (continued)

at  $T_A = 25^\circ\text{C}$ ,  $V_{DD} = +36\text{ V}$ , and  $V_{SS} = -36\text{ V}$  (unless otherwise noted)

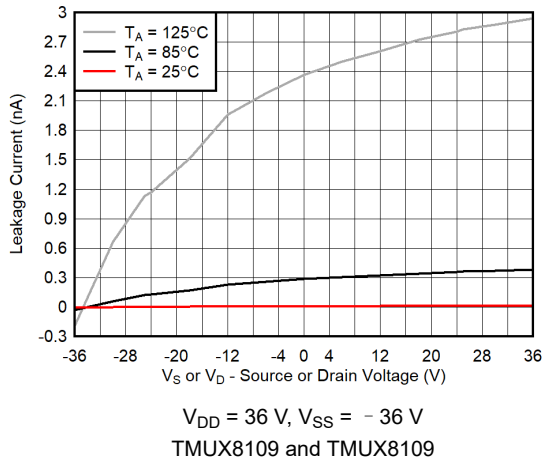


图 7-19.  $I_{S(OFF)}$  Leakage Current vs Source or Drain Voltage

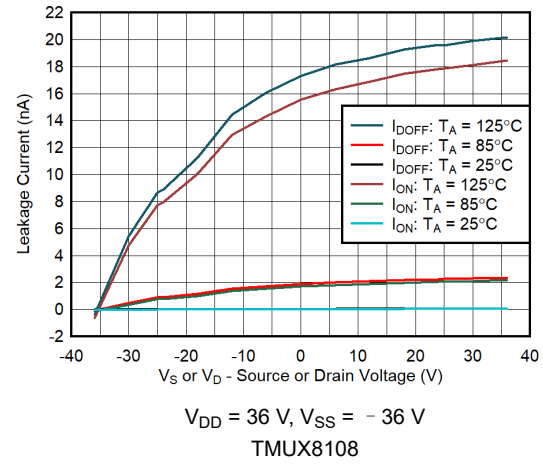


图 7-20. Leakage Current vs Source or Drain Voltage

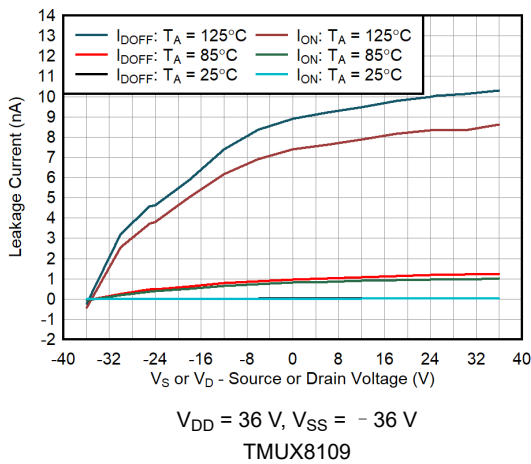


图 7-21. Leakage Current vs Source or Drain Voltage

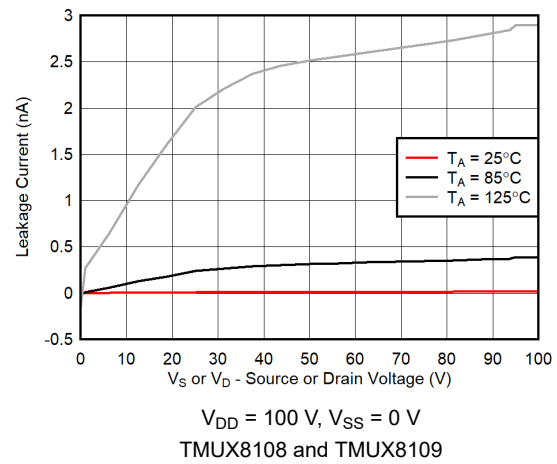


图 7-22.  $I_{S(OFF)}$  Leakage Current vs Source or Drain Voltage

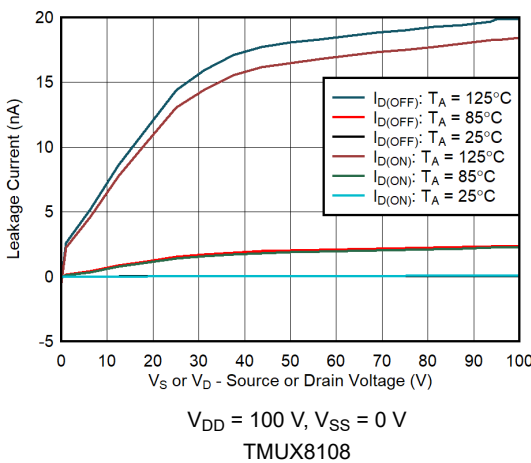


图 7-23. Leakage Current vs Source or Drain Voltage

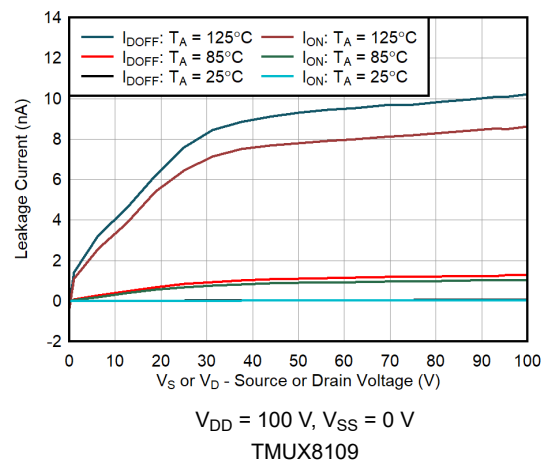
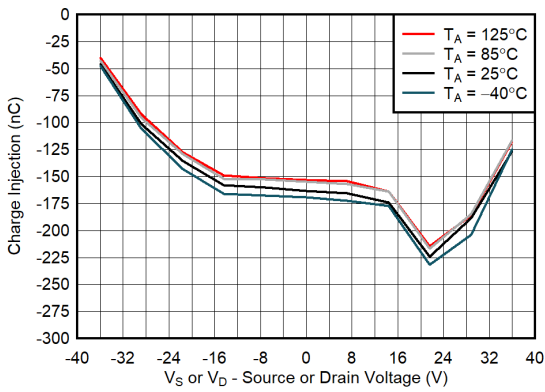


图 7-24. Leakage Current vs Source or Drain Voltage

### 7.12 Typical Characteristics (continued)

at  $T_A = 25^\circ\text{C}$ ,  $V_{DD} = +36\text{ V}$ , and  $V_{SS} = -36\text{ V}$  (unless otherwise noted)



$V_{DD} = 36\text{ V}$ ,  $V_{SS} = -36\text{ V}$

图 7-25. Charge Injection vs Source Voltage

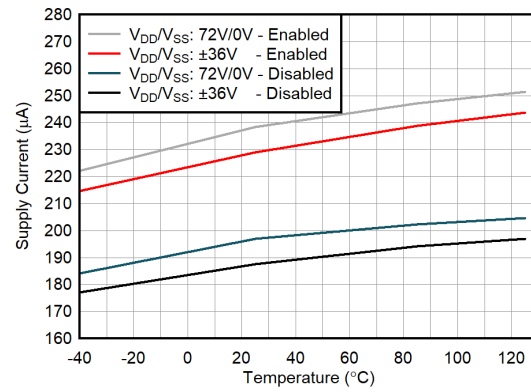
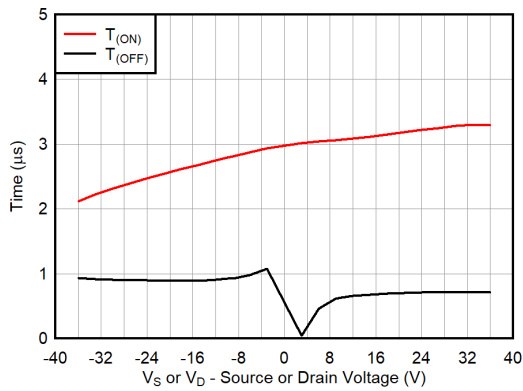
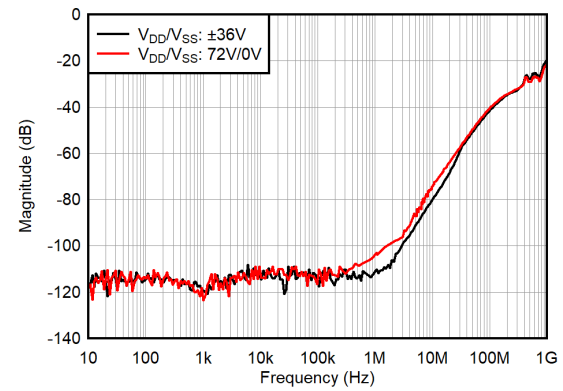


图 7-26. Supply Current vs Temperature



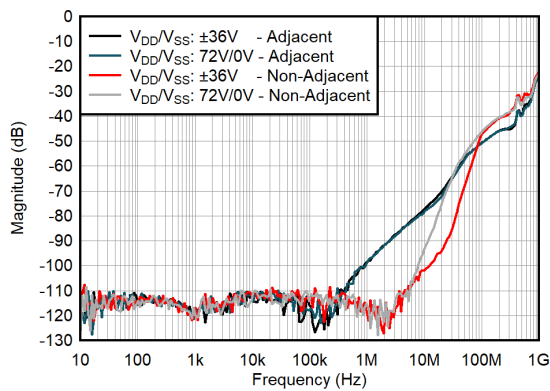
$V_{DD} = 36\text{ V}$ ,  $V_{SS} = -36\text{ V}$

图 7-27. Turn-On and Turn-Off Times vs Source Voltage



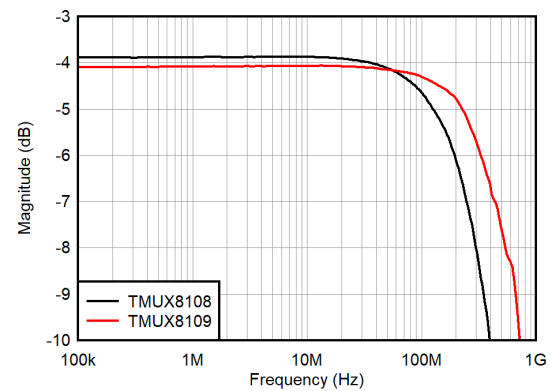
$T_A = 25^\circ\text{C}$

图 7-28. Off Isolation vs Frequency



$T_A = 25^\circ\text{C}$

图 7-29. Crosstalk vs Frequency



Bandwidth

图 7-30. Insertion Loss vs Frequency

## 8 Parameter Measurement Information

### 8.1 On-Resistance

The on-resistance of the TMUX8108 and TMUX8109 is the ohmic resistance across the source (Sx) and drain (Dx) pins of the device. The on-resistance varies with input voltage and supply voltage. 图 8-1 shows how the symbol  $R_{ON}$  is used to denote on-resistance. The measurement setup used to measure  $R_{ON}$  is also shown in the following figure.  $\Delta R_{ON}$  represents the difference between the  $R_{ON}$  of any two channels, while  $R_{ON\_FLAT}$  denotes the flatness that is defined as the difference between the maximum and minimum value of on-resistance measured over the specified analog signal range.

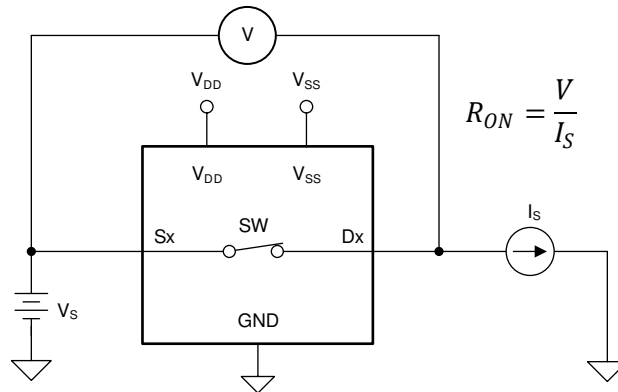


图 8-1. On-Resistance Measurement Setup

### 8.2 Off-Leakage Current

There are two types of leakage currents associated with a switch during the off state:

1. Source off-leakage current  $I_{S(OFF)}$ : the leakage current flowing into or out of the source pin when the switch is off.
2. Drain off-leakage current  $I_{D(OFF)}$ : the leakage current flowing into or out of the drain pin when the switch is off.

图 8-2 shows the setup used to measure both off-leakage currents.

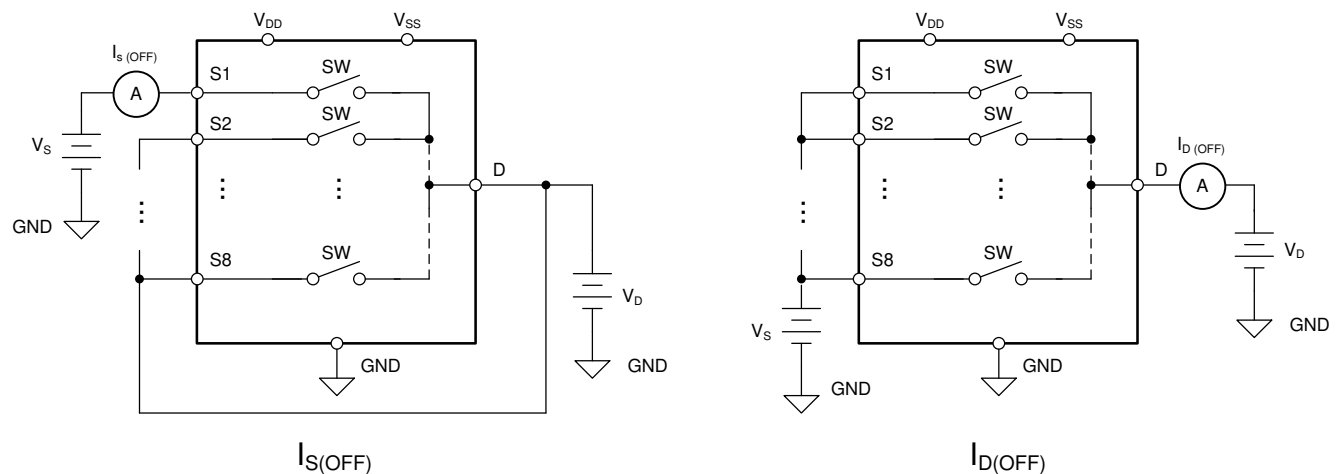
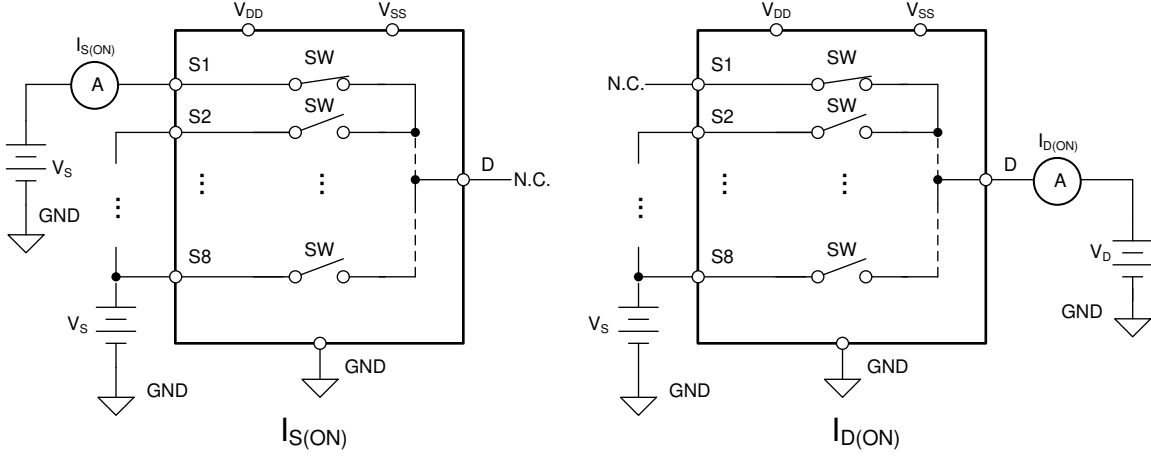
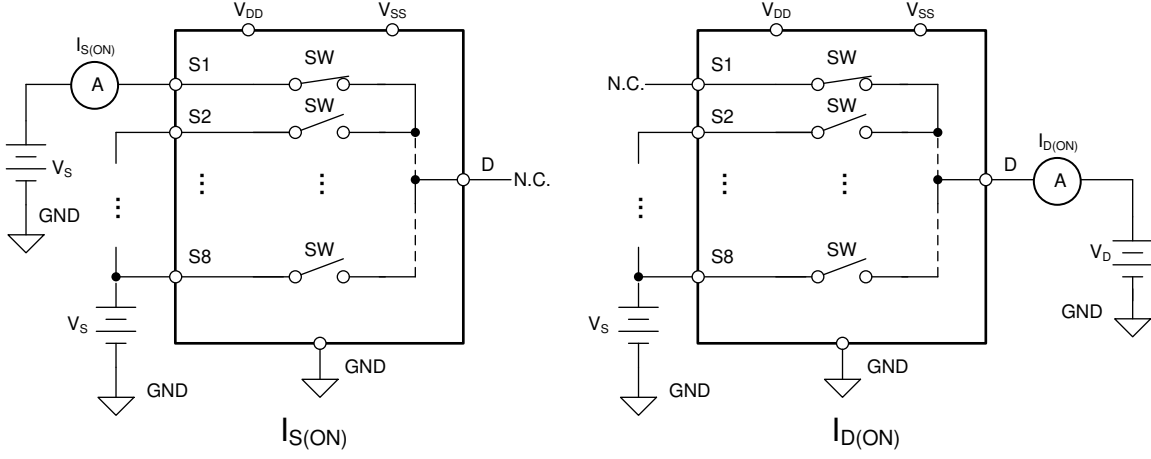


图 8-2. Off-Leakage Measurement Setup

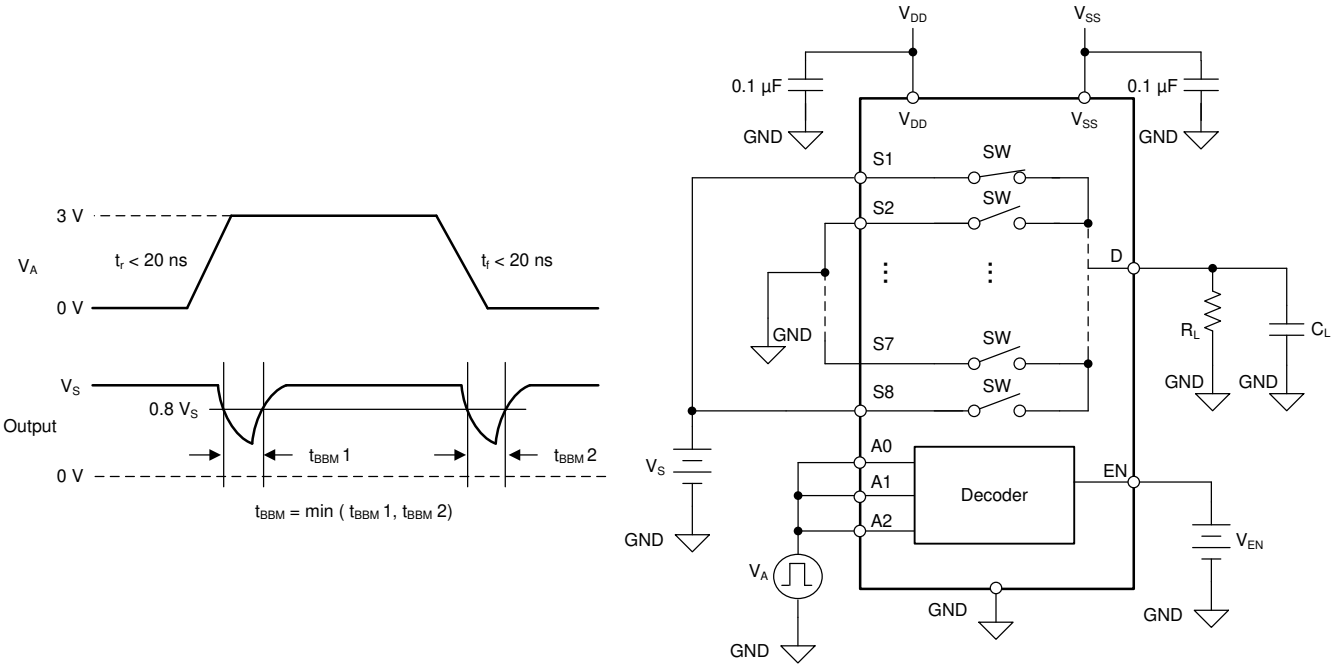
### 8.3 On-Leakage Current

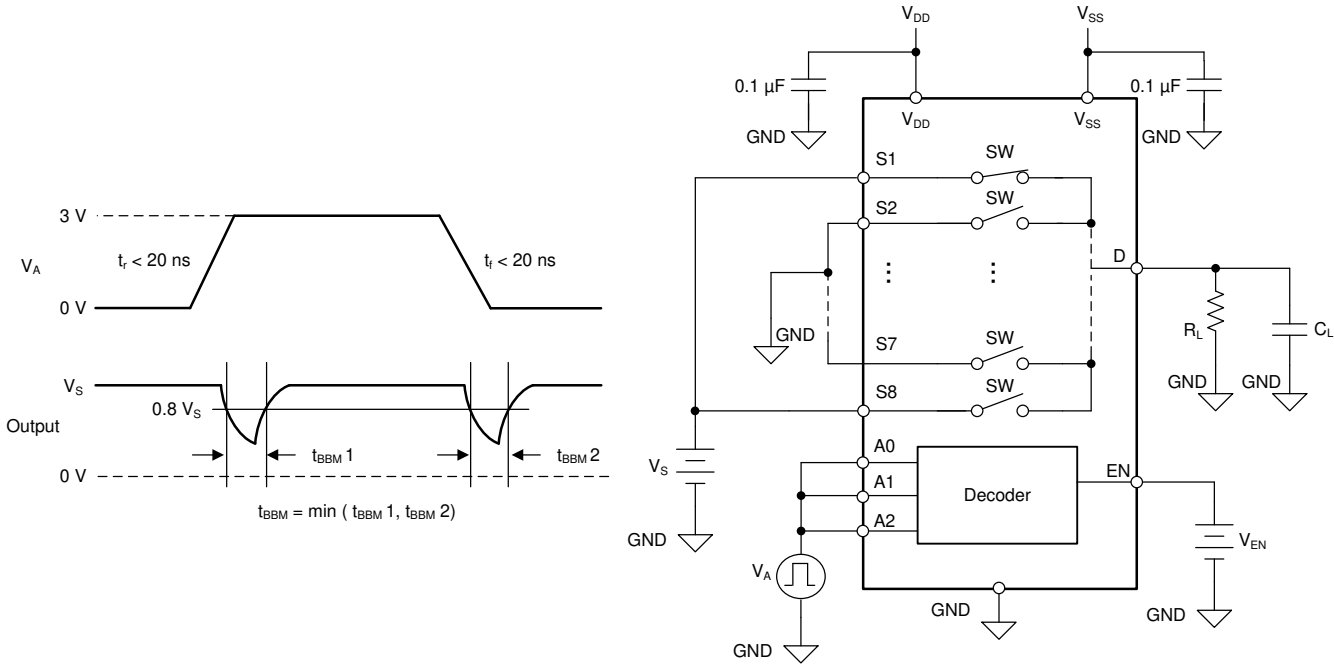
Source on-leakage current ( $I_{S(ON)}$ ) and drain on-leakage current ( $I_{D(ON)}$ ) denote the channel leakage currents when the switch is in the on state.  $I_{S(ON)}$  is measured with the drain floating, while  $I_{D(ON)}$  is measured with the source floating.  shows the circuit used for measuring the on-leakage currents.



**图 8-3. On-Leakage Measurement Setup**

### 8.4 Break-Before-Make Delay

The break-before-make delay is a safety feature of the TMUX8108 and TMUX8109. The ON switches first break the connection before the OFF switches make connection. The time delay between the *break* and the *make* is known as break-before-make delay.  shows the setup used to measure break-before-make delay, denoted by the symbol  $t_{BBM}$ .



**图 8-4. Break-Before-Make Delay Measurement Setup**

### 8.5 Enable Turn-on and Turn-off Time

$t_{ON(EN)}$  time is defined as the time taken by the output of the TMUX8108 and TMUX8109 to rise to a 90% final value after the EN signal has risen to a 50% final value.  $t_{OFF(EN)}$  is defined as the time taken by the output of the TMUX8108 and TMUX8109 to fall to a 10% final value after the EN signal has fallen to a 50% initial value. 图 8-5 shows the setup used to measure the enable delay time.

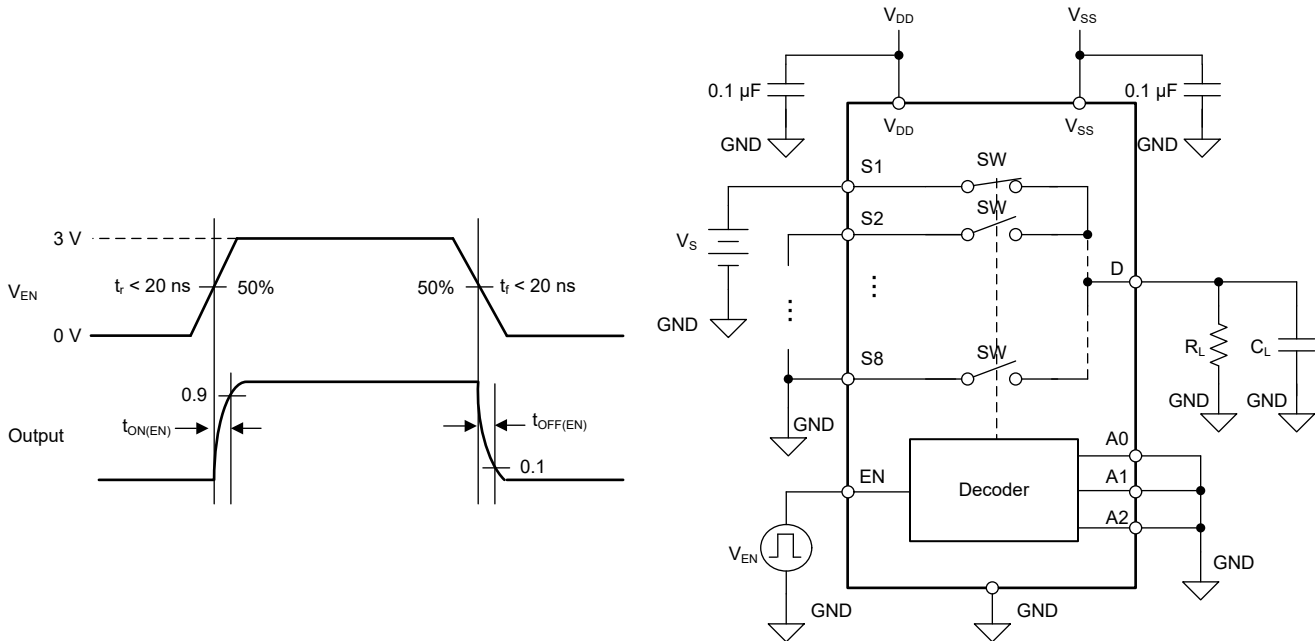


图 8-5. Enable Delay Measurement Setup

### 8.6 Transition Time

Transition time is defined as the time taken by the output of the device to rise (to 90% of the transition) or fall (to 10% of the transition) after the address signal ( $A_x$ ) has fallen or risen to 50% of the transition. 图 8-6 shows the setup used to measure transition time, denoted by the symbol  $t_{TRAN}$ .

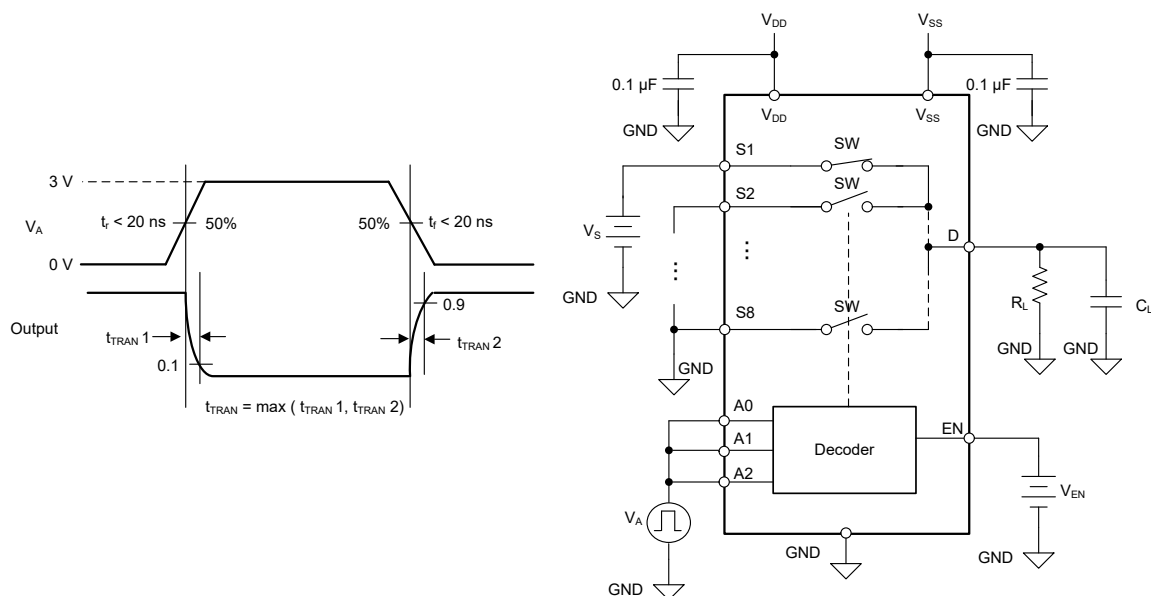


图 8-6. Transition Time Measurement Setup

## 8.7 Charge Injection

Charge injection is a measure of the glitch impulse transferred from the digital input to the analog output during switching, and is denoted by the symbol  $Q_{INJ}$ . 图 8-7 shows the setup used to measure charge injection from the source to drain.

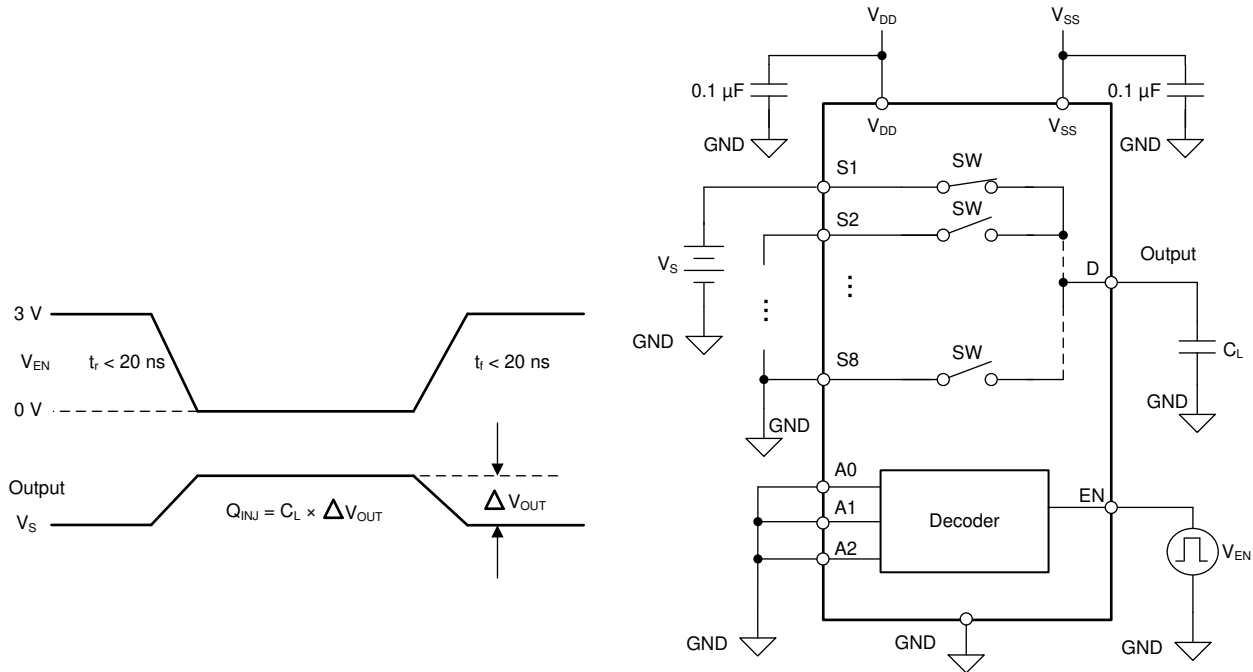


图 8-7. Charge-Injection Measurement Setup

## 8.8 Off Isolation

Off isolation is defined as the ratio of the signal at the drain pin ( $D_x$ ) of the device when a signal is applied to the source pin ( $S_x$ ) of an off-channel. The characteristic impedance for the measurement ( $Z_O$ ) is  $50 \Omega$ . 图 8-8 shows the setup used to measure off isolation.

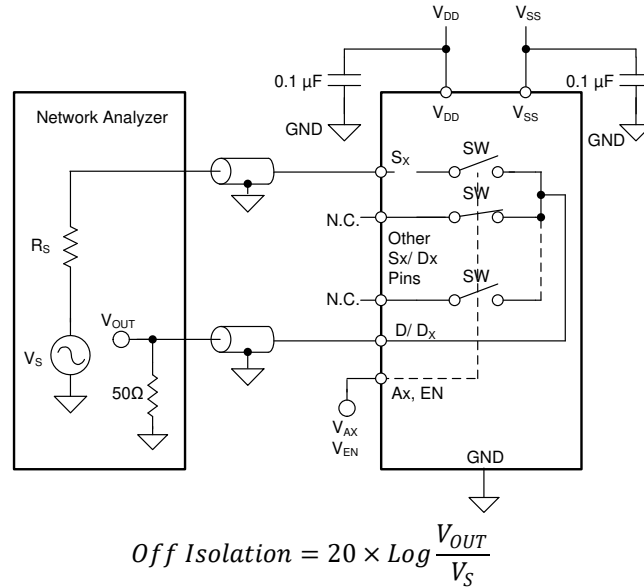


图 8-8. Off Isolation Measurement Setup

## 8.9 Crosstalk

There are two types of crosstalk that can be defined for the devices:

1. Intra-channel crosstalk ( $X_{TALK(INTRA)}$ ): the voltage at the source pin ( $S_x$ ) of an off-switch input when a signal is applied at the source pin of an on-switch input in the same channel, as shown in 图 8-9 .
2. Inter-channel crosstalk ( $X_{TALK(INTER)}$ ): the voltage at the source pin ( $S_x$ ) of an on-switch input when a signal is applied at the source pin of an on-switch input in a different channel, as shown in 图 8-10. Inter-channel crosstalk applies only to the TMUX8109 device.

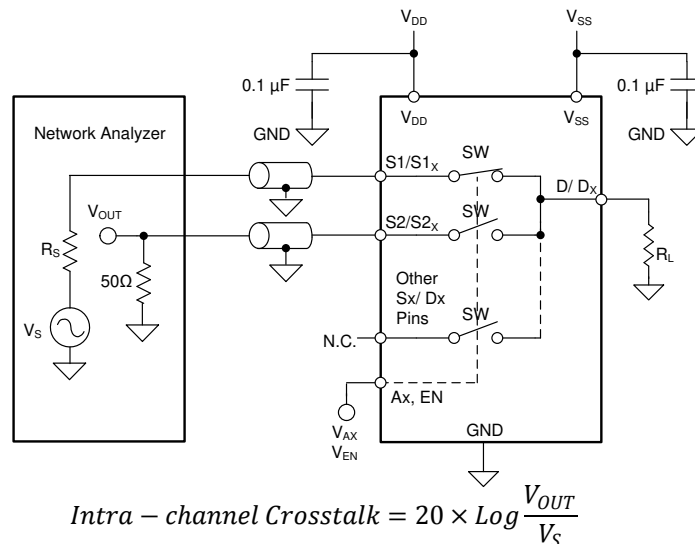


图 8-9. Intra-channel Crosstalk Measurement Setup

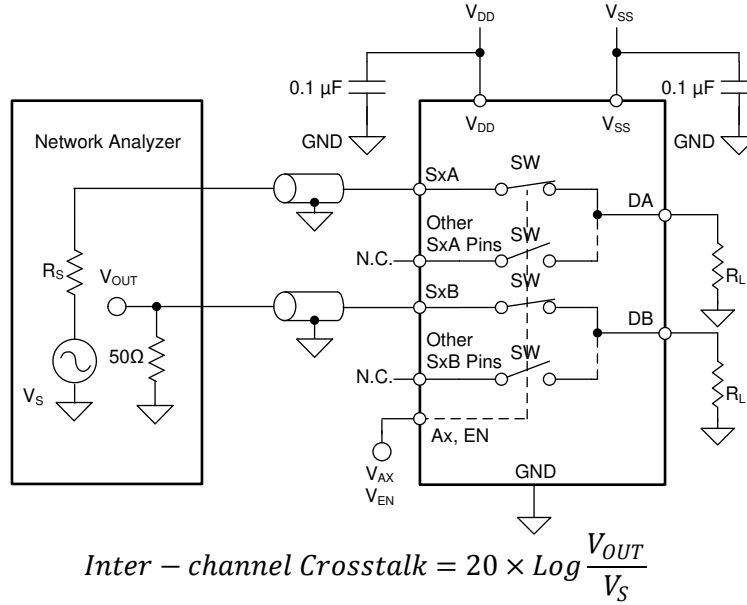


图 8-10. Inter-channel Crosstalk Measurement Setup

### 8.10 Bandwidth

Bandwidth (BW) is defined as the range of frequencies that are attenuated by < 3 dB when the input is applied to the source pin (Sx) of an on-channel, and the output is measured at the drain pin (D or Dx) of the TMUX810x. 图 8-11 shows the setup used to measure bandwidth of the switch.

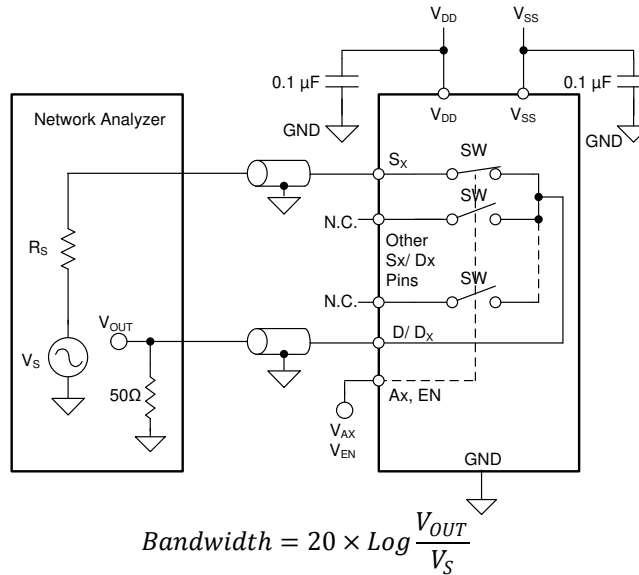


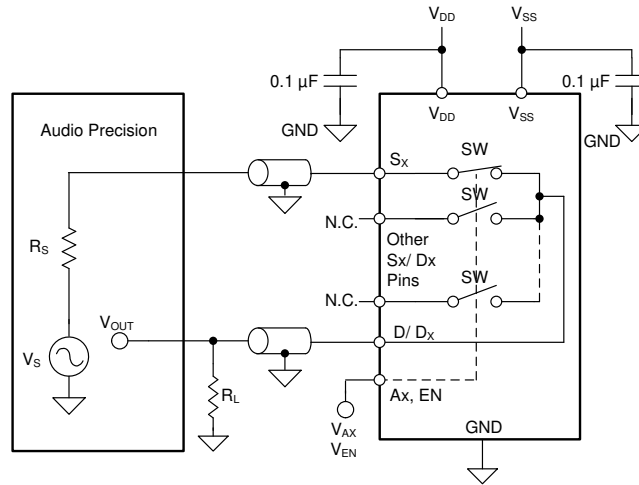
图 8-11. Bandwidth Measurement Setup

### 8.11 THD + Noise

The total harmonic distortion (THD) of a signal is a measurement of the harmonic distortion and is defined as the ratio of the sum of the powers of all harmonic components to the power of the fundamental frequency at the multiplexer output. The on-resistance of the TMUX8108 and TMUX8109 varies with the amplitude of the input



signal and results in distortion when the drain pin is connected to a low-impedance load. Total harmonic distortion plus noise is denoted as THD+N. [图 8-12](#) shows the setup used to measure THD+N of the devices.



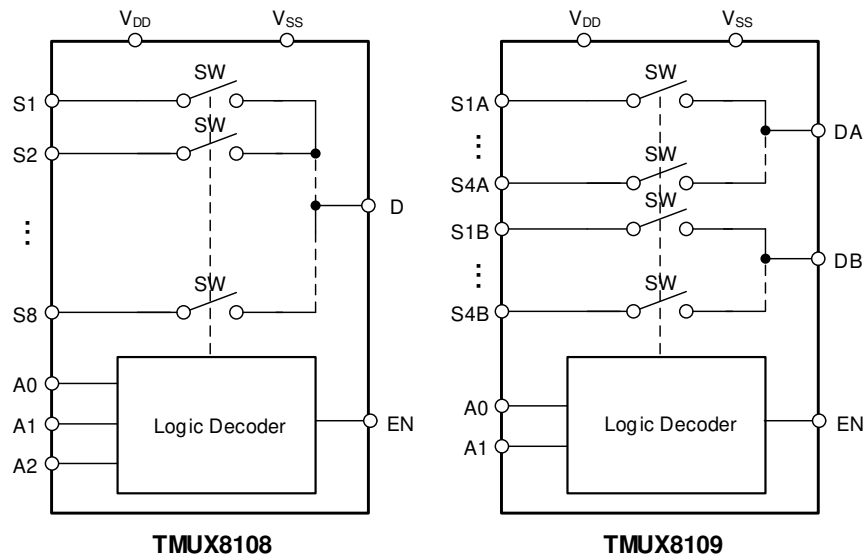
**图 8-12. THD+N Measurement Setup**

## 9 Detailed Description

### 9.1 Overview

The TMUX8108 and TMUX8109 are modern complementary metal-oxide semiconductor (CMOS) analog multiplexers in 8:1 (single ended) and 4:1 (differential) configurations. The devices work well with dual supplies, a single supply, or asymmetric supplies up to 100 V.

### 9.2 Functional Block Diagram



### 9.3 Feature Description

#### 9.3.1 Bidirectional Operation

The TMUX8108 and TMUX8109 conduct equally well from source (S<sub>x</sub>) to drain (D or D<sub>x</sub>) or from drain (D or D<sub>x</sub>) to source (S<sub>x</sub>). Each signal path has very similar characteristics in both directions.

#### 9.3.2 Flat On - Resistance

The TMUX8108 and TMUX8109 are designed with a special switch architecture to produce ultra-flat on-resistance ( $R_{ON}$ ) across most of the switch input operating region. The flat  $R_{ON}$  response allows the device to be used in precision sensor applications since the  $R_{ON}$  is controlled regardless of the signals sampled. The architecture is implemented without a charge pump so no unwanted noise is produced from the device to affect sampling accuracy.

The flattest on-resistance region extends from  $V_{SS}$  to roughly 5 V below  $V_{DD}$ . Once the signal is within 5 V of  $V_{DD}$  the on-resistance will exponentially increase and may impact desired signal transmission.

### 9.3.3 Protection Features

The TMUX8108 and TMUX8109 offer a number of protection features to enable robust system implementations.

#### 9.3.3.1 Fail-Safe Logic

Fail-safe logic circuitry allows voltages on the logic control pins to be applied before the supply pins, protecting the device from potential damage. Additionally the fail safe logic feature allows the logic inputs of the mux to be interfaced with high voltages, allowing for simplified interfacing if only high voltage control signals are present. The logic inputs are protected against positive faults of up to +48 V in powered-off condition, but do not offer protection against negative overvoltage condition.

Fail-safe logic also allows the devices to interface with a voltage greater than  $V_{DD}$  on the control pins during normal operation to add maximum flexibility in system design. For example, with a  $V_{DD} = 15$  V, the logic control pins could be connected to +24 V for a logic high signal which allows different types of signals, such as analog feedback voltages, to be used when controlling the logic inputs. Regardless of the supply voltage, the logic inputs can be interfaced as high as 48 V.

#### 9.3.3.2 ESD Protection

All pins on the TMUX8108 and TMUX8109 support HBM ESD protection level up to  $\pm 2$  kV, which helps protect the devices from ESD events during the manufacturing process.

#### 9.3.3.3 Latch-Up Immunity

Latch-up is a condition where a low impedance path is created between a supply pin and ground. This condition is caused by a trigger (current injection or overvoltage), but once activated the low impedance path remains even after the trigger is no longer present. This low impedance path may cause system upset or catastrophic damage due to excessive current levels. The latch-up condition typically requires a power cycle to eliminate the low impedance path.

In the TMUX8108 and TMUX8109 devices, an insulating oxide layer is placed on top of the silicon substrate to prevent any parasitic junctions from forming. As a result, the devices are latch-up immune under all circumstances by device construction.

The TMUX8108 and TMUX8109 devices are constructed on silicon on insulator (SOI) based process where an oxide layer is added between the PMOS and NMOS transistor of each CMOS switch to prevent parasitic structures from forming. The oxide layer is also known as an insulating trench and prevents triggering of latch up events due to overvoltage or current injections. The latch-up immunity feature allows the TMUX8108 and TMUX8109 to be used in harsh environments. For more information on latch-up immunity refer to [Using Latch Up Immune Multiplexers to Help Improve System Reliability](#).

### 9.3.4 1.8 V Logic Compatible Inputs

The TMUX8108 and TMUX8109 devices have 1.8 V logic compatible control for all logic control inputs. 1.8 V logic level inputs allows the TMUX8108 and TMUX8109 to interface with processors that have lower logic I/O rails and eliminates the need for an external translator, which saves both space and bill of materials cost. For more information on 1.8 V logic implementations, refer to [Simplifying Design with 1.8 V logic Muxes and Switches](#).

### 9.3.5 Integrated Pull-Down Resistor on Logic Pins

The TMUX8108 and TMUX8109 have internal weak pull-down resistors to GND so that the logic pins are not left floating. The value of this pull-down resistor is approximately  $4\text{ M}\Omega$ , but is clamped to about  $1\ \mu\text{A}$  at higher voltages. This feature integrates up to four external components and reduces system size and cost.

## 9.4 Device Functional Modes

### 9.4.1 Normal Mode

In Normal Mode operation, signals of up to  $V_{DD}$  and  $V_{SS}$  can be passed through the switch from source ( $S_x$ ) to drain (D or  $D_x$ ) or from drain (D or  $D_x$ ) to source ( $S_x$ ). 表 9-1 and 表 9-2 provides the address ( $A_x$ ) pins and the enable (EN) pin determines which switch path to turn on. The following conditions must be satisfied for the switch to stay in the ON condition:

- The difference between the primary supplies ( $V_{DD} - V_{SS}$ ) must be greater than or equal to 10 V. With a minimum  $V_{DD}$  of 10 V.
- The input signals on the source ( $S_x$ ) or the drain ( $D_x$ ) must be between  $V_{DD}$  and  $V_{SS}$ .
- The logic control address pins ( $A_x$ ) must have selected the switch path.

### 9.4.2 Truth Tables

表 9-1 provides the truth tables for the TMUX8108.

表 9-1. TMUX8108 Truth Table

EN	A2	A1	A0	Normal Condition
0	X <sup>(1)</sup>	X <sup>(1)</sup>	X <sup>(1)</sup>	None
1	0	0	0	S1
1	0	0	1	S2
1	0	1	0	S3
1	0	1	1	S4
1	1	0	0	S5
1	1	0	1	S6
1	1	1	0	S7
1	1	1	1	S8

(1) "X" means "do not care."

表 9-2 provides the truth tables for the TMUX8109.

表 9-2. TMUX8109 Truth Table

EN	A1	A0	Normal Condition
0	X <sup>(1)</sup>	X <sup>(1)</sup>	None
1	0	0	S1x
1	0	1	S2x
1	1	0	S3x
1	1	1	S4x

(1) "X" means "do not care."

If unused, then address ( $A_x$ ) pins must be tied to GND or Logic High in so that the device does not consume additional current as highlighted in *Implications of Slow or Floating CMOS Inputs*. Unused signal path inputs ( $S_x$  or  $D_x$ ) should be connected to GND for best performance.

## 10 Application and Implementation

### 备注

以下应用部分中的信息不属于 TI 器件规格的范围，TI 不担保其准确性和完整性。TI 的客户应负责确定器件是否适用于其应用。客户应验证并测试其设计，以确保系统功能。

### 10.1 Application Information

The TMUX8108 and TMUX8109 are high voltage multiplexers capable of supporting analog and digital signals. The high voltage capability of these multiplexers allow them to be used in systems with high voltage signal swings or in systems with high common mode voltages.

Additionally, the TMUX810x devices provide consistent analog parametric performance across the entire supply voltage range allowing the devices to be powered by the most convenient supply rails in the system while still providing excellent performance.

### 10.2 Typical Application

Many analog front end data acquisition systems are designed to support differential input signals with a wide range of output voltages. In systems where the output sensor is separated from the rest of the signal chain by long cables, a high common mode voltage shift can superimpose on the signal lines. One solution to this problem is to use a high voltage multiplexer in combination with a high voltage op amp level translation stage to properly scale the input signals to the correct input requirements of the ADC. The TMUX8109 allows the system to be designed for a differential, four channel, multiplexed data acquisition system.

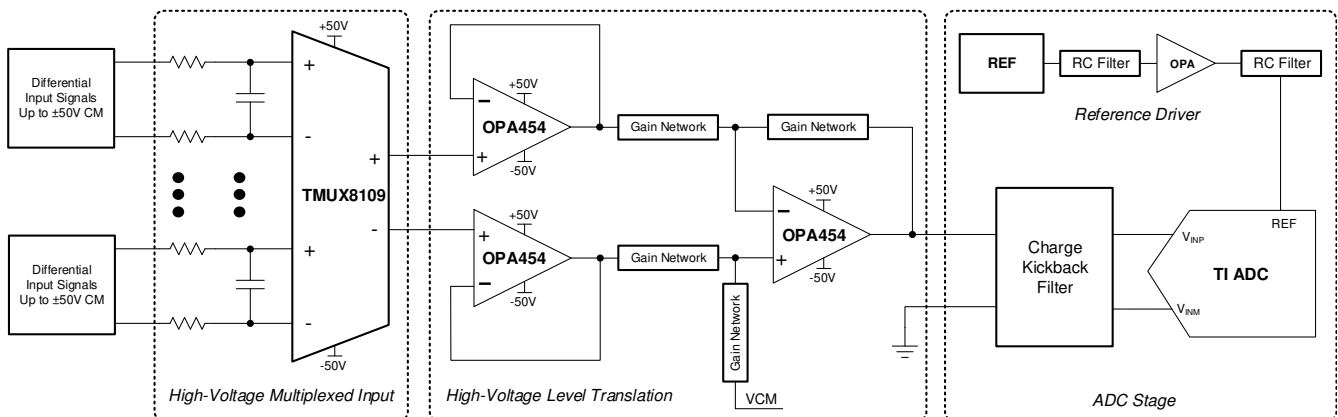


图 10-1. Typical Application

## 10.2.1 Design Requirements

表 10-1. Design Parameters

PARAMETER	VALUE
Positive supply ( $V_{DD}$ ) mux and Op Amps	+50 V
Negative supply ( $V_{SS}$ ) mux and Op Amps	-50 V
Maximum input / output signals with common mode shift	-50 V to 50 V
Mux control logic thresholds	1.8 V compatible, up to 48 V
Mux temperature range	-40°C to +125°C

## 10.2.2 Detailed Design Procedure

The multiplexed data acquisition circuit allows the system designer to have flexibility over both size and cost of the end product. Utilizing a multiplexer can reduce board size and cost by reducing the number of op amp circuits required for a multi-channel design. Additionally, the high voltage multiplexer can be paired with many implementations of high voltage level translation circuits such as difference amplifiers, instrumentation amplifiers, or fully differential amplifiers depending on the gain, noise requirements, and cost targets of the system.

In the example application, the TMUX8109 is paired with a difference amplifier and buffer stage op amps on both the positive and negative differential signals. Many data acquisition systems will place a buffer op amp following the mux for two reasons. The first reason is to eliminate the impact of the multiplexer on-resistance change across the signal range, preventing gain errors in the system. Secondly, depending on the output impedance of the sensors being interfaced, a high input impedance stage may be required to achieve system specification targets. The TMUX810x multiplexers have exceptionally flat on-resistance and low leakage currents across the signal voltage range and can potentially eliminate the need for buffer stage op amps depending on system requirements. Additionally, excellent crosstalk and off-isolation performance, paired with low capacitance ratings makes the TMUX810x multiplexers very flexible for system design of data acquisition systems.

A difference amplifier stage follows the multiplexer to eliminate the common mode voltage shift and can be used to scale the input signals to match the dynamic range of the selected ADC. In this example, both the op amp and multiplexer are rated for performance up to  $\pm 50$  V. To find the maximum common mode voltage shift allowed, the system designer should take the maximum supply voltage and subtract the maximum voltage of the differential signal; the resulting voltage is the maximum common mode shift that can be accommodated without exceeding the input voltage requirements of the multiplexer. The difference amplifier circuit relies on the matched resistor for good CMRR performance and typically has lower voltage gains and lower input impedances. If higher gains are required, or for better CMRR performance, an instrumentation amplifier can be swapped into the circuit. Both op amp solutions can be utilized to remove the common mode voltage offset and extract the true differential signal. The high voltage multiplexer at the front end of the design requires the system to have high voltage power supply rails to pass signals within  $V_{SS}$  and  $V_{DD}$ , this should be considered in the overall architecture of the system design. This multiplexed application becomes increasingly valuable with larger number of input channels by greatly reducing the total component count.

### 10.2.3 Application Curves

The example application utilizes the excellent leakage and crosstalk performance of the TMUX810x devices to reduce any impact introduced from a multiplexed system architecture. 图 10-2 shows the leakage current for both ON and OFF cases with a varying temperature. 图 10-3 shows the excellent crosstalk performance of the TMUX810x devices. These features make the TMUX8108 and TMUX8109 an excellent solution for multiplexed data acquisition applications that require excellent linearity and low distortion.

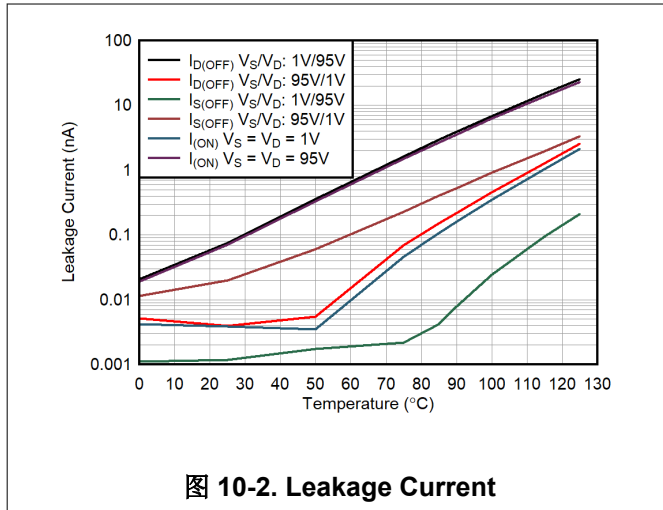


图 10-2. Leakage Current

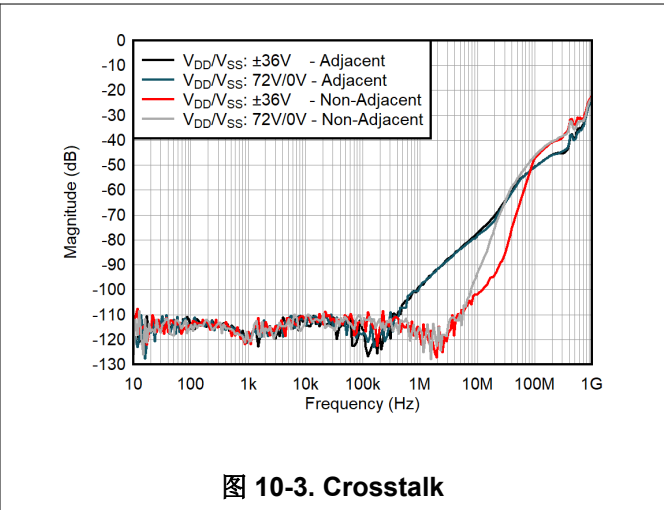


图 10-3. Crosstalk

### 10.3 Power Supply Recommendations

The TMUX8108 and TMUX8109 operate across a wide supply range of  $\pm 10$  V to  $\pm 50$  V (10 V to 100 V in single-supply mode). They also perform well with asymmetric supplies such as  $V_{DD} = 50$  V and  $V_{SS} = -10$  V. For improved supply noise immunity, use a supply decoupling capacitor ranging from 1  $\mu$ F to 10  $\mu$ F at both the  $V_{DD}$  and  $V_{SS}$  pins to ground. An additional 0.1  $\mu$ F capacitor placed closest to the supply pins will provide the best supply decoupling solution. Always ensure the ground (GND) connection is established before supplies are ramped.

### 10.4 Layout

#### 10.4.1 Layout Guidelines

The following images illustrate an example of a PCB layout with the TMUX8108 and TMUX8109. Some key considerations are:

- For reliable operation, connect at least one decoupling capacitor ranging from 0.1  $\mu$ F to 10  $\mu$ F between  $V_{DD}$  and  $V_{SS}$  to GND. We recommend a 0.1  $\mu$ F and 1  $\mu$ F capacitor, placing the lowest value capacitor as close to the pin as possible. Make sure that the capacitor voltage rating is sufficient for the supply voltage.
- Keep the input lines as short as possible.
- Use a solid ground plane to help distribute heat and reduce electromagnetic interference (EMI) noise pickup.
- Do not run sensitive analog traces in parallel with digital traces. Avoid crossing digital and analog traces if possible, and only make perpendicular crossings when necessary.

### 10.4.2 Layout Example

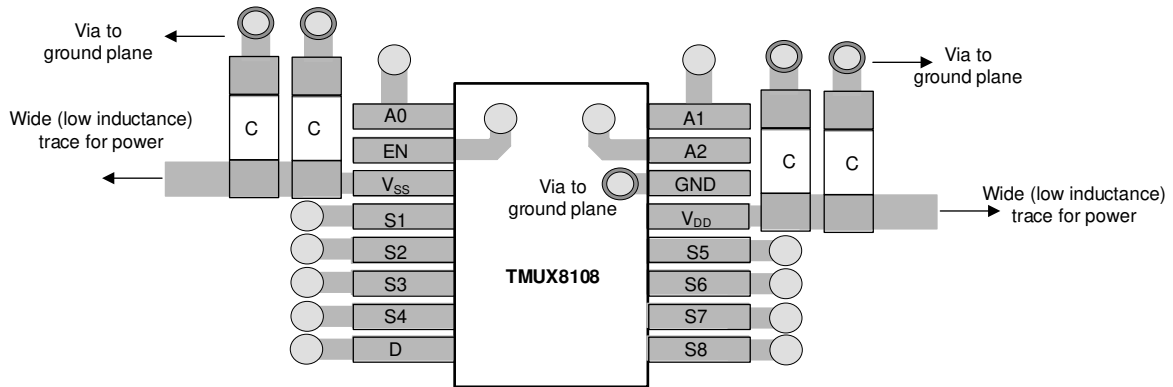


图 10-4. TMUX8108 TSSOP Layout Example

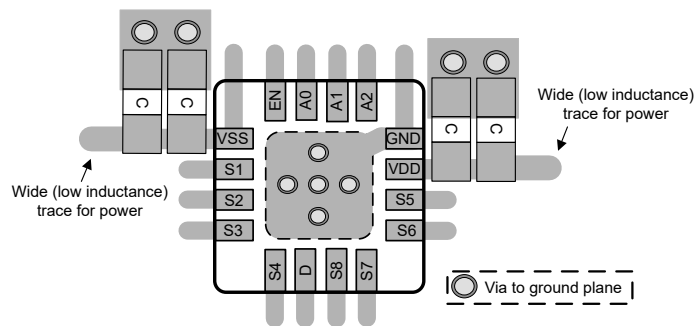


图 10-5. TMUX8108 QFN Layout Example

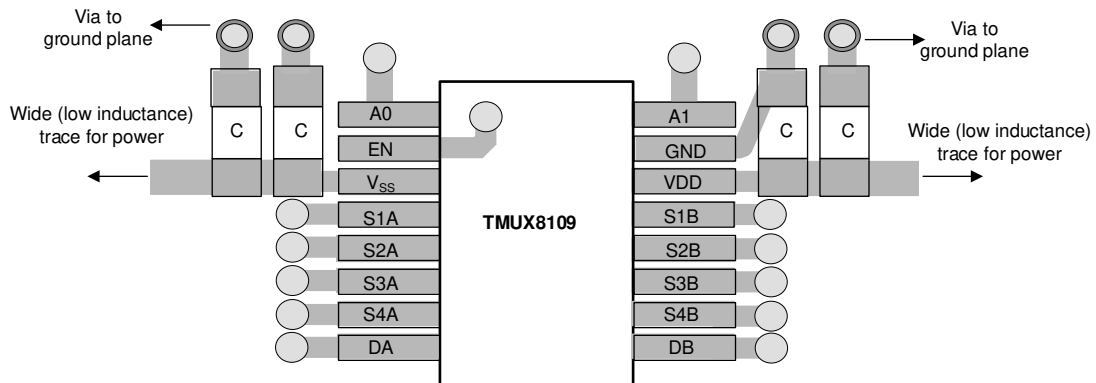


图 10-6. TMUX8109 TSSOP Layout Example



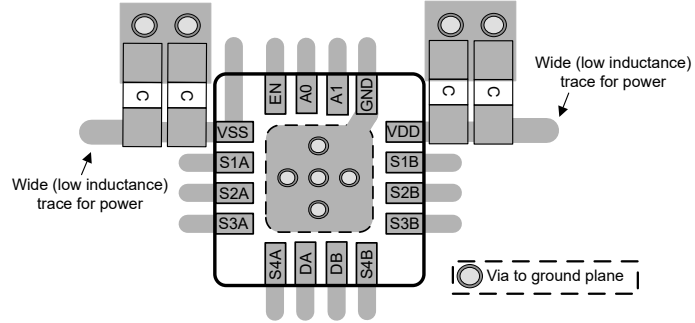


图 10-7. TMUX8109 QFN Layout Example

## 11 Device and Documentation Support

### 11.1 Documentation Support

#### 11.1.1 Related Documentation

For related documentation, see the following:

- Texas Instruments, [Implications of Slow or Floating CMOS Inputs application note](#)
- Texas Instruments, [Multiplexers and Signal Switches Glossary application report](#)
- Texas Instruments, [Using Latch-Up Immune Multiplexers to Help Improve System Reliability application report](#)

#### 11.2 接收文档更新通知

要接收文档更新通知，请导航至 [ti.com](https://www.ti.com) 上的器件产品文件夹。点击 [订阅更新](#) 进行注册，即可每周接收产品信息更改摘要。有关更改的详细信息，请查看任何已修订文档中包含的修订历史记录。

#### 11.3 支持资源

TI E2E™ [支持论坛](#) 是工程师的重要参考资料，可直接从专家获得快速、经过验证的解答和设计帮助。搜索现有解答或提出自己的问题可获得所需的快速设计帮助。

链接的内容由各个贡献者“按原样”提供。这些内容并不构成 TI 技术规范，并且不一定反映 TI 的观点；请参阅 TI 的 [《使用条款》](#)。

#### 11.4 Trademarks

TI E2E™ is a trademark of Texas Instruments.

所有商标均为其各自所有者的财产。

#### 11.5 静电放电警告



静电放电 (ESD) 会损坏这个集成电路。德州仪器 (TI) 建议通过适当的预防措施处理所有集成电路。如果不遵守正确的处理和安装程序，可能会损坏集成电路。

ESD 的损坏小至导致微小的性能降级，大至整个器件故障。精密的集成电路可能更容易受到损坏，这是因为非常细微的参数更改都可能会导致器件与其发布的规格不相符。

#### 11.6 术语表

[TI 术语表](#) 本术语表列出并解释了术语、首字母缩略词和定义。

## 12 Mechanical, Packaging, and Orderable Information

The following pages include mechanical, packaging, and orderable information. This information is the most current data available for the designated devices. This data is subject to change without notice and revision of this document. For browser-based versions of this data sheet, refer to the left-hand navigation.

**PACKAGING INFORMATION**

Orderable Device	Status (1)	Package Type	Package Drawing	Pins	Package Qty	Eco Plan (2)	Lead finish/ Ball material (6)	MSL Peak Temp (3)	Op Temp (°C)	Device Marking (4/5)	Samples
TMUX8108PWR	ACTIVE	TSSOP	PW	16	2000	RoHS & Green	NIPDAU	Level-1-260C-UNLIM	-40 to 125	TM8108	<a href="#">Samples</a>
TMUX8108RUMR	ACTIVE	WQFN	RUM	16	3000	RoHS & Green	NIPDAU	Level-2-260C-1 YEAR	-40 to 125	TMUX 8108	<a href="#">Samples</a>
TMUX8109PWR	ACTIVE	TSSOP	PW	16	2000	RoHS & Green	NIPDAU	Level-1-260C-UNLIM	-40 to 125	TM8109	<a href="#">Samples</a>
TMUX8109RUMR	ACTIVE	WQFN	RUM	16	3000	RoHS & Green	NIPDAU	Level-2-260C-1 YEAR	-40 to 125	TMUX 8109	<a href="#">Samples</a>

(1) The marketing status values are defined as follows:

**ACTIVE:** Product device recommended for new designs.

**LIFEBUY:** TI has announced that the device will be discontinued, and a lifetime-buy period is in effect.

**NRND:** Not recommended for new designs. Device is in production to support existing customers, but TI does not recommend using this part in a new design.

**PREVIEW:** Device has been announced but is not in production. Samples may or may not be available.

**OBSELETE:** TI has discontinued the production of the device.

(2) **RoHS:** TI defines "RoHS" to mean semiconductor products that are compliant with the current EU RoHS requirements for all 10 RoHS substances, including the requirement that RoHS substance do not exceed 0.1% by weight in homogeneous materials. Where designed to be soldered at high temperatures, "RoHS" products are suitable for use in specified lead-free processes. TI may reference these types of products as "Pb-Free".

**RoHS Exempt:** TI defines "RoHS Exempt" to mean products that contain lead but are compliant with EU RoHS pursuant to a specific EU RoHS exemption.

**Green:** TI defines "Green" to mean the content of Chlorine (Cl) and Bromine (Br) based flame retardants meet JS709B low halogen requirements of <=1000ppm threshold. Antimony trioxide based flame retardants must also meet the <=1000ppm threshold requirement.

(3) MSL, Peak Temp. - The Moisture Sensitivity Level rating according to the JEDEC industry standard classifications, and peak solder temperature.

(4) There may be additional marking, which relates to the logo, the lot trace code information, or the environmental category on the device.

(5) Multiple Device Markings will be inside parentheses. Only one Device Marking contained in parentheses and separated by a "~" will appear on a device. If a line is indented then it is a continuation of the previous line and the two combined represent the entire Device Marking for that device.

(6) Lead finish/Ball material - Orderable Devices may have multiple material finish options. Finish options are separated by a vertical ruled line. Lead finish/Ball material values may wrap to two lines if the finish value exceeds the maximum column width.

**Important Information and Disclaimer:**The information provided on this page represents TI's knowledge and belief as of the date that it is provided. TI bases its knowledge and belief on information provided by third parties, and makes no representation or warranty as to the accuracy of such information. Efforts are underway to better integrate information from third parties. TI has taken and

continues to take reasonable steps to provide representative and accurate information but may not have conducted destructive testing or chemical analysis on incoming materials and chemicals. TI and TI suppliers consider certain information to be proprietary, and thus CAS numbers and other limited information may not be available for release.

In no event shall TI's liability arising out of such information exceed the total purchase price of the TI part(s) at issue in this document sold by TI to Customer on an annual basis.

**TAPE AND REEL INFORMATION**

**QUADRANT ASSIGNMENTS FOR PIN 1 ORIENTATION IN TAPE**


\*All dimensions are nominal

Device	Package Type	Package Drawing	Pins	SPQ	Reel Diameter (mm)	Reel Width W1 (mm)	A0 (mm)	B0 (mm)	K0 (mm)	P1 (mm)	W (mm)	Pin1 Quadrant
TMUX8108PWR	TSSOP	PW	16	2000	330.0	12.4	6.9	5.6	1.6	8.0	12.0	Q1
TMUX8108RUMR	WQFN	RUM	16	3000	330.0	12.4	4.25	4.25	1.15	8.0	12.0	Q2
TMUX8109PWR	TSSOP	PW	16	2000	330.0	12.4	6.9	5.6	1.6	8.0	12.0	Q1
TMUX8109RUMR	WQFN	RUM	16	3000	330.0	12.4	4.25	4.25	1.15	8.0	12.0	Q2

**TAPE AND REEL BOX DIMENSIONS**


\*All dimensions are nominal

Device	Package Type	Package Drawing	Pins	SPQ	Length (mm)	Width (mm)	Height (mm)
TMUX8108PWR	TSSOP	PW	16	2000	356.0	356.0	35.0
TMUX8108RUMR	WQFN	RUM	16	3000	367.0	367.0	35.0
TMUX8109PWR	TSSOP	PW	16	2000	356.0	356.0	35.0
TMUX8109RUMR	WQFN	RUM	16	3000	367.0	367.0	35.0



4220204/A 02/2017

NOTES:

1. All linear dimensions are in millimeters. Any dimensions in parenthesis are for reference only. Dimensioning and tolerancing per ASME Y14.5M.
2. This drawing is subject to change without notice.
3. This dimension does not include mold flash, protrusions, or gate burrs. Mold flash, protrusions, or gate burrs shall not exceed 0.15 mm per side.
4. This dimension does not include interlead flash. Interlead flash shall not exceed 0.25 mm per side.
5. Reference JEDEC registration MO-153.

# EXAMPLE BOARD LAYOUT

PW0016A

TSSOP - 1.2 mm max height

SMALL OUTLINE PACKAGE



LAND PATTERN EXAMPLE  
EXPOSED METAL SHOWN  
SCALE: 10X



SOLDER MASK DETAILS

4220204/A 02/2017

NOTES: (continued)

- 6. Publication IPC-7351 may have alternate designs.
- 7. Solder mask tolerances between and around signal pads can vary based on board fabrication site.



# EXAMPLE STENCIL DESIGN

PW0016A

TSSOP - 1.2 mm max height

SMALL OUTLINE PACKAGE



SOLDER PASTE EXAMPLE  
BASED ON 0.125 mm THICK STENCIL  
SCALE: 10X

4220204/A 02/2017

NOTES: (continued)

8. Laser cutting apertures with trapezoidal walls and rounded corners may offer better paste release. IPC-7525 may have alternate design recommendations.
9. Board assembly site may have different recommendations for stencil design.

## GENERIC PACKAGE VIEW

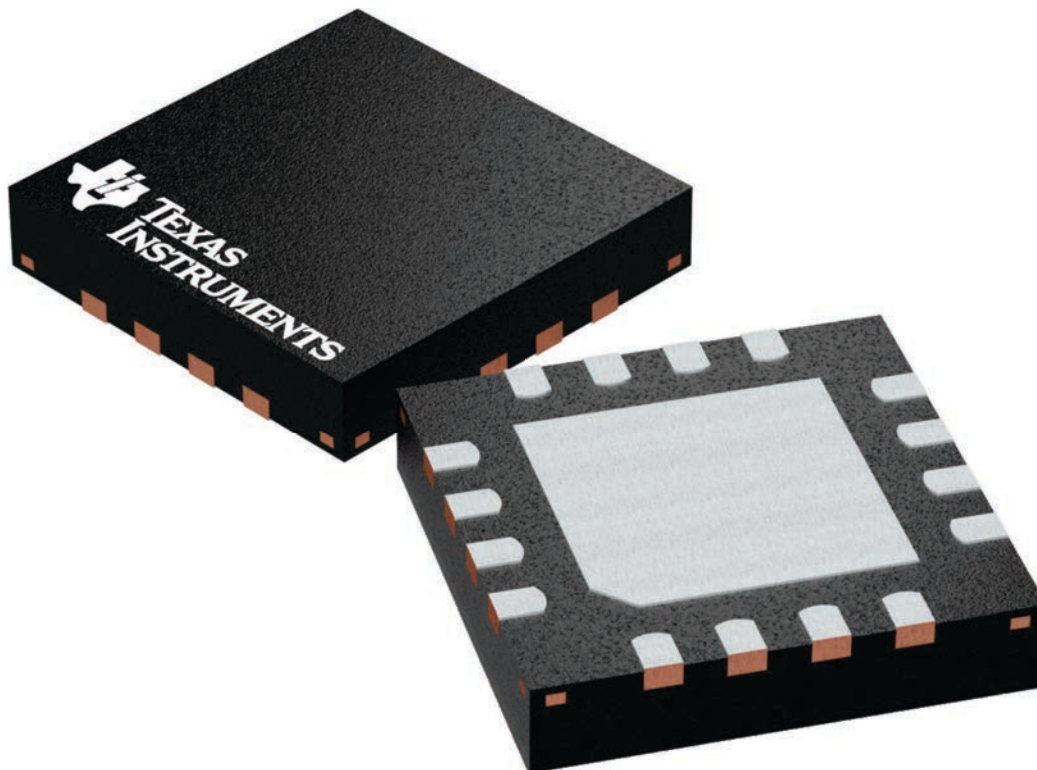
**RUM 16**

**WQFN - 0.8 mm max height**

4 x 4, 0.65 mm pitch

PLASTIC QUAD FLATPACK - NO LEAD

This image is a representation of the package family, actual package may vary.  
Refer to the product data sheet for package details.



4224843/A

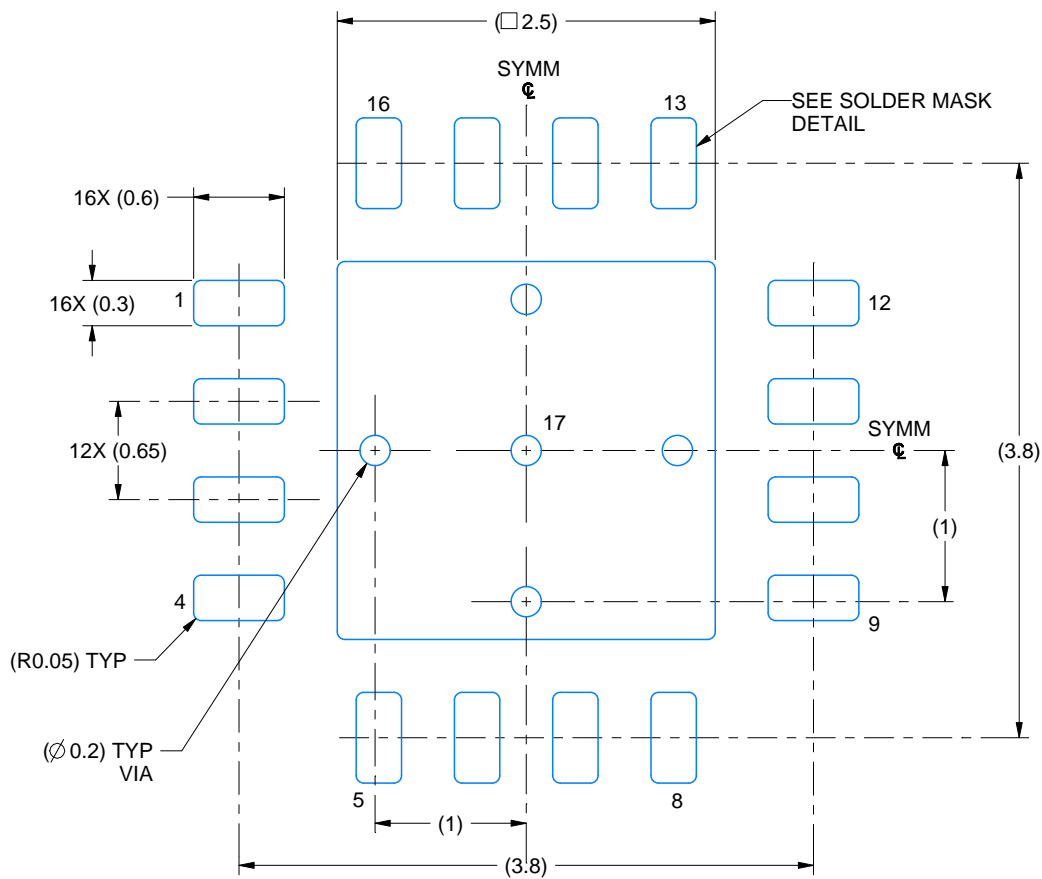


# EXAMPLE BOARD LAYOUT

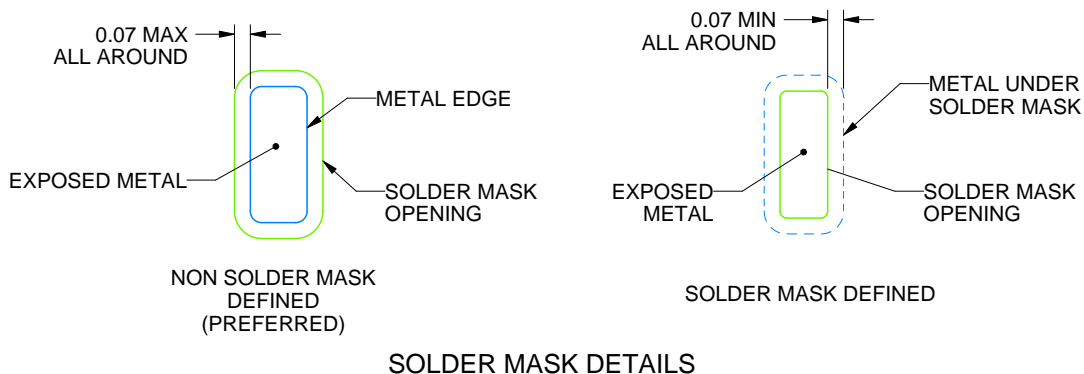
RUM0016E

WQFN - 0.8 mm max height

PLASTIC QUAD FLATPACK - NO LEAD



LAND PATTERN EXAMPLE  
EXPOSED METAL SHOWN  
SCALE: 20X



4224815/A 02/2019

NOTES: (continued)

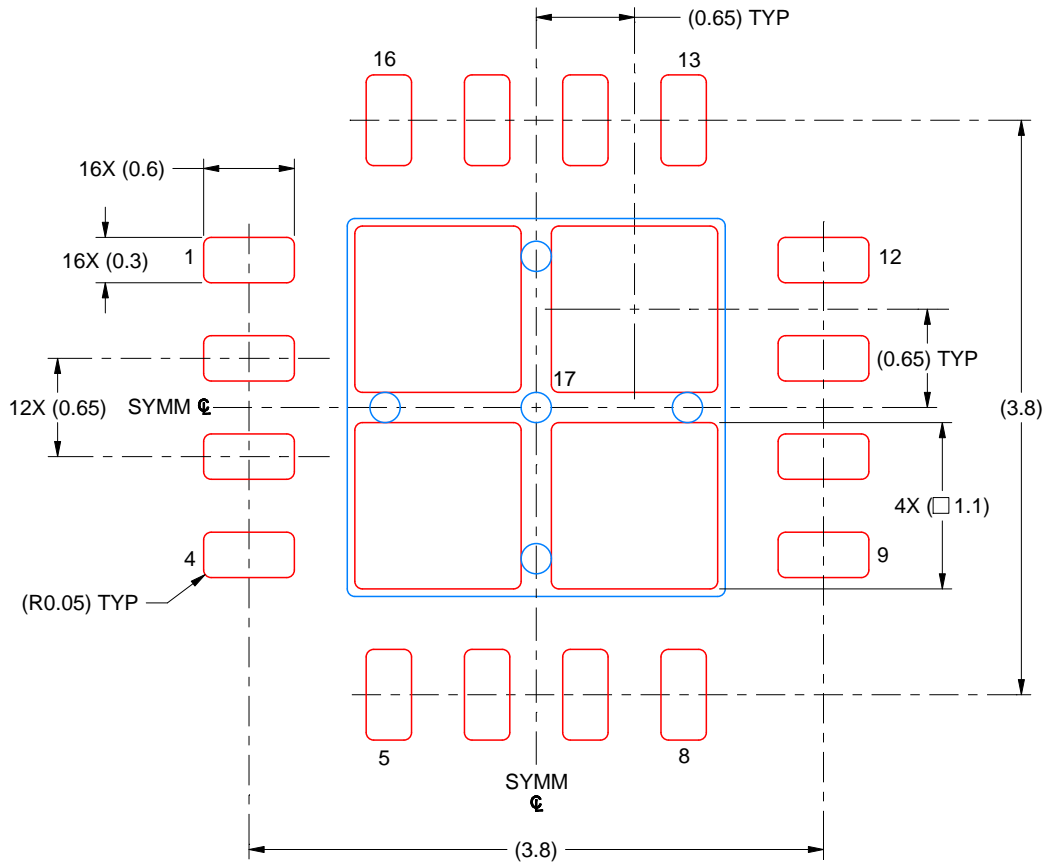
- This package is designed to be soldered to a thermal pad on the board. For more information, see Texas Instruments literature number SLUA271 ([www.ti.com/lit/slua271](http://www.ti.com/lit/slua271)).
- Vias are optional depending on application, refer to device data sheet. If any vias are implemented, refer to their locations shown on this view. It is recommended that vias under paste be filled, plugged or tented.

# EXAMPLE STENCIL DESIGN

RUM0016E

WQFN - 0.8 mm max height

PLASTIC QUAD FLATPACK - NO LEAD



SOLDER PASTE EXAMPLE  
BASED ON 0.125 MM THICK STENCIL  
SCALE: 20X

EXPOSED PAD 17  
77% PRINTED SOLDER COVERAGE BY AREA UNDER PACKAGE

4224815/A 02/2019

NOTES: (continued)

6. Laser cutting apertures with trapezoidal walls and rounded corners may offer better paste release. IPC-7525 may have alternate design recommendations.

## 重要声明和免责声明

TI“按原样”提供技术和可靠性数据（包括数据表）、设计资源（包括参考设计）、应用或其他设计建议、网络工具、安全信息和其他资源，不保证没有瑕疵且不做任何明示或暗示的担保，包括但不限于对适销性、某特定用途方面的适用性或不侵犯任何第三方知识产权的暗示担保。

这些资源可供使用 TI 产品进行设计的熟练开发人员使用。您将自行承担以下全部责任：(1) 针对您的应用选择合适的 TI 产品，(2) 设计、验证并测试您的应用，(3) 确保您的应用满足相应标准以及任何其他功能安全、信息安全、监管或其他要求。

这些资源如有变更，恕不另行通知。TI 授权您仅可将这些资源用于研发本资源所述的 TI 产品的应用。严禁对这些资源进行其他复制或展示。您无权使用任何其他 TI 知识产权或任何第三方知识产权。您应全额赔偿因在这些资源的使用中对 TI 及其代表造成的任何索赔、损害、成本、损失和债务，TI 对此概不负责。

TI 提供的产品受 [TI 的销售条款](#) 或 [ti.com](#) 上其他适用条款/TI 产品随附的其他适用条款的约束。TI 提供这些资源并不会扩展或以其他方式更改 TI 针对 TI 产品发布的适用的担保或担保免责声明。

TI 反对并拒绝您可能提出的任何其他或不同的条款。

邮寄地址：Texas Instruments, Post Office Box 655303, Dallas, Texas 75265

Copyright © 2023，德州仪器 (TI) 公司