

## TUSB211 USB 2.0 高速信号调节器

### 1 特性

- 与 USB 2.0、OTG 2.0 和 BC 1.2 兼容
- 支持低速 (LS)、全速 (FS) 和高速 (HS) 信号传输
- 3.3V 单电源供电运行时的功耗为 55mW (典型值)
- 可通过外部下拉电阻选择信号增益
- 不会损坏 DP 和 DM 走线
- 可扩展解决方案 - 用于高损耗应用的菊花链器件
- 紧凑型 1.6mm x 1.6mm QFN 封装

### 2 应用

- 笔记本电脑
- 台式机
- 扩展坞
- 手机
- 有源电缆、电缆扩展器
- 背板
- 电视
- 平板电脑

### 3 说明

TUSB211 是一款 USB 高速 (HS) 信号调节器，专为补偿传输通道中的 ISI 信号损失而设计。

该器件采用了对于 USB 低速 (LS) 和全速 (FS) 信号无感知的设计，该设计正在申请专利。LS 和 FS 信号特征不受 TUSB211 的影响。该器件只能对 HS 信号进行补偿。

该器件具有可编程的信号增益，可精调器件性能，从而对连接器上的高速信号进行优化。这对于通过 USB 高速电气兼容性测试很有帮助。

TUSB211 的封装不会损坏 DP/DM 信号路径的连续性。这样一来，便可以针对完整 USB 通道实现零风险系统设计。

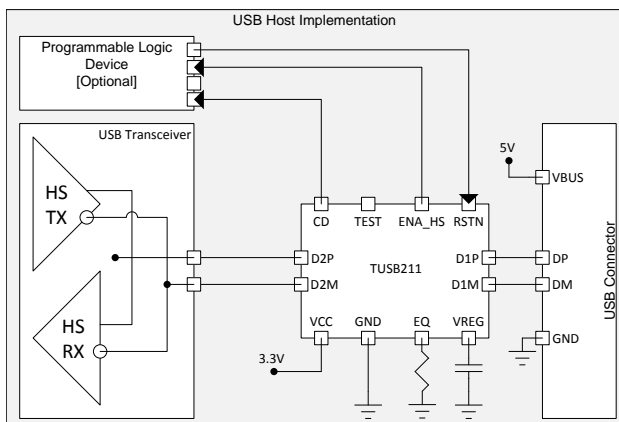
此外，TUSB211 符合 USB On-The-Go (OTG) 和电池充电 (BC) 协议。

器件信息 (1)

部件号	封装	封装尺寸 (标称值)
TUSB211	X2QFN (12)	1.60mm x 1.60mm
TUSB211I		

(1) 如需了解所有可用封装，请参阅产品说明书末尾的可订购产品附录。

简化电路原理图



Copyright © 2016, Texas Instruments Incorporated



## 目录

<b>1</b>	<b>特性</b> .....	<b>1</b>	7.3	Device Functional Modes .....	<b>7</b>
<b>2</b>	<b>应用</b> .....	<b>1</b>	<b>8</b>	<b>Application and Implementation</b> .....	<b>8</b>
<b>3</b>	<b>说明</b> .....	<b>1</b>	8.1	Application Information .....	<b>8</b>
<b>4</b>	<b>修订历史记录</b> .....	<b>2</b>	8.2	Typical Application .....	<b>8</b>
<b>5</b>	<b>Pin Configuration and Functions</b> .....	<b>3</b>	<b>9</b>	<b>Power Supply Recommendations</b> .....	<b>11</b>
<b>6</b>	<b>Specifications</b> .....	<b>4</b>	<b>10</b>	<b>Layout</b> .....	<b>12</b>
6.1	Absolute Maximum Ratings .....	<b>4</b>	10.1	Layout Guidelines .....	<b>12</b>
6.2	ESD Ratings .....	<b>4</b>	10.2	Layout Example .....	<b>12</b>
6.3	Recommended Operating Conditions .....	<b>4</b>	<b>11</b>	<b>器件和文档支持</b> .....	<b>13</b>
6.4	Thermal Information .....	<b>4</b>	11.1	相关链接 .....	<b>13</b>
6.5	Electrical Characteristics .....	<b>5</b>	11.2	社区资源 .....	<b>13</b>
6.6	Switching Characteristics .....	<b>6</b>	11.3	商标 .....	<b>13</b>
<b>7</b>	<b>Detailed Description</b> .....	<b>7</b>	11.4	静电放电警告 .....	<b>13</b>
7.1	Overview .....	<b>7</b>	11.5	Glossary .....	<b>13</b>
7.2	Functional Block Diagram .....	<b>7</b>	<b>12</b>	<b>机械、封装和可订购信息</b> .....	<b>13</b>

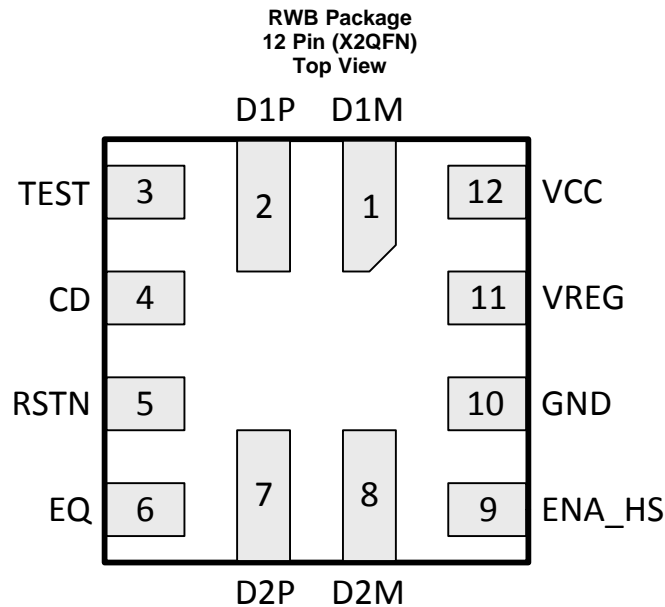
## 4 修订历史记录

<b>Changes from Revision C (June 2016) to Revision D</b>		<b>Page</b>
•	从产品说明书中删除了器件 TUSB211-Q1 .....	<b>1</b>
•	删除了特性: 符合汽车应用 标准 .....	<b>1</b>
•	删除了应用: 汽车信息娱乐系统 .....	<b>1</b>

<b>Changes from Revision A (June 2015) to Revision B</b>		<b>Page</b>
•	将 1 页产品说明书更改成了完整的产品说明书 .....	<b>1</b>
•	添加了特性: 符合汽车应用 标准 .....	<b>1</b>
•	删除了特性: -40°C 至 85°C 工业温度范围 .....	<b>1</b>
•	添加了应用: 汽车信息娱乐系统 .....	<b>1</b>
•	更改了简化原理图 .....	<b>1</b>

<b>Changes from Original (May 2015) to Revision A</b>		<b>Page</b>
•	将产品说明书从“产品预览”更改成了“生产” .....	<b>1</b>

## 5 Pin Configuration and Functions



**Pin Functions**

PIN		I/O	INTERNAL PULLUP/PULLDOWN	DESCRIPTION
NAME	NO.			
VCC	12	P	N/A	3.3-V power
VREG	11	O	RSTN asserted: 30 kΩ PD FS, LS mode: 30 kΩ PD HS mode: N/A	1.8-V LDO output. Only enabled when operating in High Speed mode. Requires 0.1-μF external capacitor to GND to stabilize the core.
GND	10	P	N/A	Ground
RSTN	5	I	500 kΩ PU	Device disable/enable. Recommend 0.1-μF external capacitor to GND to ensure clean power on reset if not driven.
EQ	6	I	N/A	USB High Speed boost select via external pull down resistor. Sampled upon power up. Auto selects min EQ when left floating. Does not recognize real time adjustments.
D1P	2	I/O	N/A	USB High Speed positive port. Orientation independent – Can face either upstream or downstream.
D1M	1	I/O	N/A	USB High Speed negative port. Orientation independent – Can face either upstream or downstream.
D2P	7	I/O	N/A	USB High Speed positive port. Orientation independent – Can face either upstream or downstream.
D2M	8	I/O	N/A	USB High Speed negative port. Orientation independent – Can face either upstream or downstream.
TEST	3	I	RSTN asserted: 500 kΩ PD	No function. Leave floating.
ENA_HS	9	O	RSTN asserted: 500kΩ PD	Flag indicating that channel is in High Speed mode. Asserted upon: 1. Detection of USB-IF High Speed test fixture from an unconnected state followed by transmission of USB TEST_PACKET pattern. 2. Squelch detection following USB reset with a successful HS handshake [HS handshake is declared to be successful after single chirp J chirp K pair where each chirp is within 18 μs – 128 μs] De-asserted upon detection of disconnect or suspend. Can be left floating if not needed.
CD	4	O	RSTN asserted: 500 kΩ PD	Flag indicating that a USB device is attached. Asserted from an unconnected state upon detection of DP or DM pull-up resistor. De-asserted upon detection of disconnect. Can be left floating if not needed.

## 6 Specifications

### 6.1 Absolute Maximum Ratings

over operating free-air temperature range (unless otherwise noted) <sup>(1)</sup>

		MIN	MAX	UNIT
Supply voltage range	VCC	-0.3	3.8	V
Voltage range	D1P, D1M, D2P, D2M, RSTN, EQ	-0.3	3.8	V
Storage temperature, T <sub>stg</sub>		-65	150	°C

- (1) Stresses beyond those listed under *Absolute Maximum Ratings* may cause permanent damage to the device. These are stress ratings only, which do not imply functional operation of the device at these or any other conditions beyond those indicated under *Recommended Operating Conditions*. Exposure to absolute-maximum-rated conditions for extended periods may affect device reliability.

### 6.2 ESD Ratings

		VALUE	UNIT
V <sub>(ESD)</sub> Electrostatic discharge	Human-body model (HBM), per ANSI/ESDA/JEDEC JS-001 <sup>(1)</sup>	±3000	V
	Charged-device model (CDM), per JEDEC specification JESD22-C101 <sup>(2)</sup>	±1000	

- (1) JEDEC document JEP155 states that 500-V HBM allows safe manufacturing with a standard ESD control process.  
 (2) JEDEC document JEP157 states that 250-V CDM allows safe manufacturing with a standard ESD control process.

### 6.3 Recommended Operating Conditions

over operating free-air temperature range (unless otherwise noted)

		MIN	NOM	MAX	UNIT
V <sub>CC</sub>	Supply voltage	3	3.3	3.6	V
T <sub>A</sub>	Operating free-air temperature [TUSB211]	0		70	°C
	Operating free-air temperature [TUSB211I]	-40		85	

### 6.4 Thermal Information

THERMAL METRIC <sup>(1)</sup>		RWB	UNIT
		12 PINS	
R <sub>θJA</sub>	Junction-to-ambient thermal resistance	161.6	°C/W
R <sub>θJC(top)</sub>	Junction-to-case (top) thermal resistance	63.3	°C/W
R <sub>θJB</sub>	Junction-to-board thermal resistance	75.1	°C/W
ψ <sub>JT</sub>	Junction-to-top characterization parameter	1.9	°C/W
ψ <sub>JB</sub>	Junction-to-board characterization parameter	75.1	°C/W
R <sub>θJC(bot)</sub>	Junction-to-case (bottom) thermal resistance	N/A	°C/W

- (1) For more information about traditional and new thermal metrics, see the *Semiconductor and IC Package Thermal Metrics* application report, [SPRA953](#).

## 6.5 Electrical Characteristics

over operating free-air temperature range (unless otherwise noted)

PARAMETER		TEST CONDITIONS	MIN	TYP <sup>(1)</sup>	MAX	UNIT
$I_{(ACTIVE\_HS)}$	High Speed Active Current	USB channel = HS mode. 480 Mbps traffic. $V_{CC}$ supply stable		16	20	mA
$I_{(IDLE\_HS)}$	High Speed Idle Current	USB channel = HS mode. No traffic. $V_{CC}$ supply stable		12	15	mA
$I_{(SUSPEND\_HS)}$	Suspend Current	USB channel = Suspend mode.		4.5	5.5	mA
$I_{(FS)}$	Full-Speed Current	USB channel = FS mode		4.5	5.5	mA
$I_{(LS)}$	Low-Speed Current	USB channel = LS mode		4.5	5.5	mA
$I_{(DISCONN)}$	Disconnect Power	Host side application. No device attachment.		4.5	5.5	mA
$I_{(RSTN)}$	Disable Power	RSTN driven low; $V_{CC}$ supply stable; $V_{CC} = 3.3\text{ V}$		4.5	5.5	mA
<b>RSTN</b>						
$V_{IH}$	High level input voltage		2		$V_{CC}$	V
$V_{IL}$	Low-level input voltage		0		0.8	V
$I_{IH}$	High level input current	$V_{IH} = 3.6\text{ V}$ , $V_{CC} = 3\text{ V}$ , RPU enabled			$\pm 2$	$\mu\text{A}$
$I_{IL}$	Low level input current	$V_{IL} = 0\text{V}$ , $V_{CC} = 3.6\text{ V}$ , RPU enabled			$\pm 11$	$\mu\text{A}$
<b>EQ</b>						
$R_{(EQ)}$	External pulldown resistor	Level 0 EQ			0.32	k $\Omega$
		Level 1 EQ	1.4		2.2	k $\Omega$
		Level 2 EQ [MAX]	3.7		4.1	k $\Omega$
		Level 3 EQ [MIN]	6			k $\Omega$
<b>CD, ENA_HS</b>						
$V_{OH}$	High level output voltage	$I_O = -50\ \mu\text{A}$	2.4			V
$V_{OL}$	Low level output voltage	$I_O = 50\ \mu\text{A}$			0.4	V
<b>DxP, DxM</b>						
$T_{(SHRT\_GND)}$	DP, DM low voltage short circuit	DxP or DxM short circuited to GND continuously for 24 hours at $T_A = 25^\circ\text{C}$ only	0			V
$C_{IO(DXX)}$	Capacitance to GND	Measured with LCR meter and device powered down. 1 MHz sinusoid, 30 mVpp ripple		5		pF

(1) (1) All typical values are at  $V_{CC} = 3.3\text{ V}$ , and  $T_A = 25^\circ\text{C}$ .

## 6.6 Switching Characteristics

over operating free-air temperature range (unless otherwise noted)

PARAMETER		TEST CONDITIONS	MIN	TYP <sup>(1)</sup>	MAX	UNIT
<b>DxP, DxM</b>						
F <sub>(BR_DXX)</sub>	Bit Rate	USB channel = HS mode. 480 Mbps traffic. V <sub>CC</sub> supply stable			480	Mbps
t <sub>(R/F_DXX)</sub>	Rise/Fall time		100			ps
<b>CD, ENA_HS</b>						
t <sub>(EN)</sub>	Enable time			20		μs
t <sub>(DIS)</sub>	Disable time			20		μs
<b>VCC</b>						
t <sub>(STABLE)</sub>	V <sub>CC</sub> stable before RSTN de-assertion		100			μs
t <sub>(RAMP)</sub>	V <sub>CC</sub> ramp time		0.2		100	ms

(1) (1) All typical values are at V<sub>CC</sub> = 3.3 V, and T<sub>A</sub> = 25°C.

## 7 Detailed Description

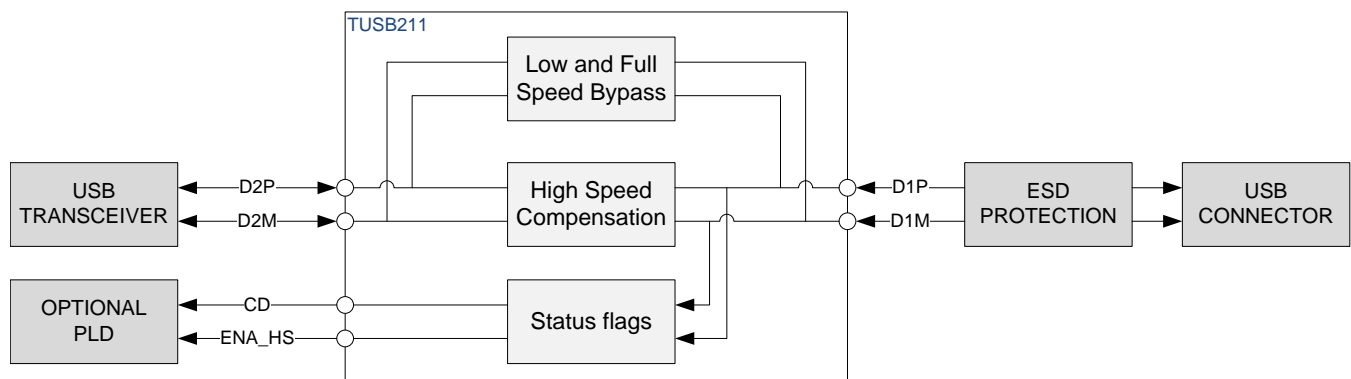
### 7.1 Overview

The TUSB211 is a USB High-Speed (HS) signal conditioner, designed to compensate for ISI signal loss in a transmission channel. TUSB211 has a patent-pending design which is agnostic to USB Low Speed (LS) and Full Speed (FS) signals and does not alter their signal characteristics, while HS signals are compensated. In addition, the design is compatible with USB On-The-Go (OTG) and Battery Charging (BC) specifications.

Programmable signal gain through an external resistor permits fine tuning device performance to optimize signals helping to pass USB HS electrical compliance tests at the connector.

The footprint of TUSB211 allows a board layout using this device such that it does not break the continuity of the DP/DM signal traces. This permits risk free system design of a complete USB channel with flexible use of one or multiple TUSB211 devices as needed for optimal signal integrity. This allows system designers to plan for this device and use it only if signal integrity analysis and/or lab measurements show a need. If such a need is not warranted, the device can be left unpopulated without any board rework.

### 7.2 Functional Block Diagram



Copyright © 2016, Texas Instruments Incorporated

### 7.3 Device Functional Modes

#### 7.3.1 Low Speed (LS) Mode

TUSB211 automatically detects a LS connection and does not enable signal compensation. CD pin is asserted high.

#### 7.3.2 Full Speed (FS) Mode

TUSB211 automatically detects a FS connection and does not enable signal compensation. CD pin is asserted high.

#### 7.3.3 High Speed (HS) Mode

TUSB211 automatically detects a HS connection and enables signal compensation as determined by the configuration of the external pulldown resistance on its EQ pin. ENA\_HS pin asserted high in addition to the CD pin.

#### 7.3.4 Disable Mode

TUSB211 can be disabled when its RSTN pin is asserted low. The USB channel is still fully operational, but there is neither signal compensation, nor any indication from the CD pin or ENA\_HS pin as to the status of the channel.

## 8 Application and Implementation

### 注

Information in the following applications sections is not part of the TI component specification, and TI does not warrant its accuracy or completeness. TI's customers are responsible for determining suitability of components for their purposes. Customers should validate and test their design implementation to confirm system functionality.

### 8.1 Application Information

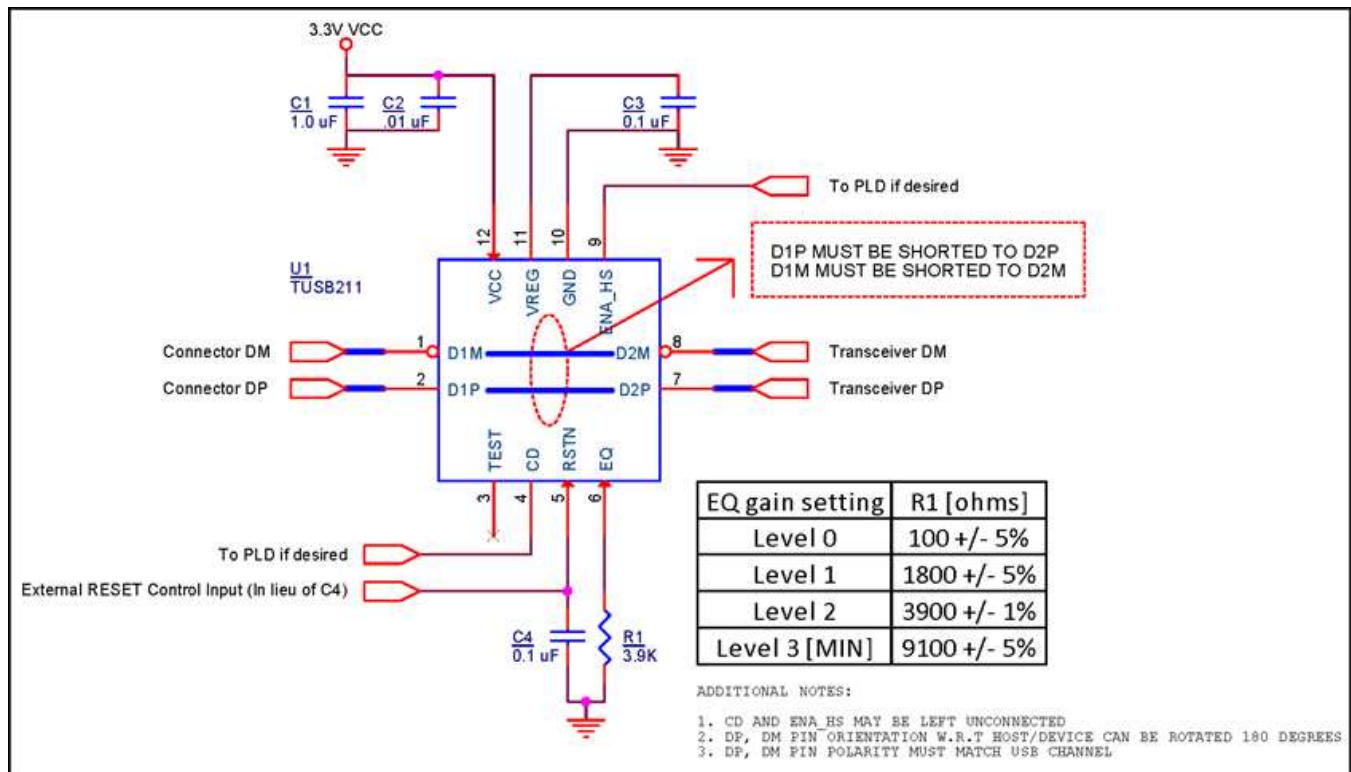
The primary purpose of the TUSB211 is to re-store the signal integrity of a USB High Speed channel up to the USB connector. The loss in signal quality stems from reduced channel bandwidth due to high loss PCB trace and other components that contribute a capacitive load. This can cause the channel to fail the USB near end eye mask. Proper use of the TUSB211 can help to pass this eye mask.

A secondary purpose is to use the CD pin and ENA\_HS pin of the TUSB211 to control other blocks on the customer platform if so desired.

### 8.2 Typical Application

A typical application is shown below. In this setup, D1P and D1M face the USB connector while D2P and D2M face the USB transceiver. If desired, the orientation may be reversed [that is, D1 faces transceiver and D2 faces connector].

Note that CD and ENA\_HS are connected to PLDs. This is for platforms where other circuit blocks must be modified based on the status of the USB channel. They could also be connected to LEDs to give a physical indication of current channel status for debug purposes. If neither use is desired, they can be left floating.



Copyright © 2016, Texas Instruments Incorporated

图 1. Reference Schematic



## Typical Application (接下页)

### 8.2.1 Design Requirements

TUSB211 requires a valid reset signal as described in the power supply recommendations section. The capacitor C4 is not required if a microcontroller drives the RSTN pin according to recommendations.

Pin 11 VREG is an internal LDO output that requires a 0.1  $\mu$ F external capacitor to GND to stabilize the core.

Pin 6 EQ requires an external pulldown resistor if EQ levels 0-2 are needed. If EQ level 3 is needed, then the EQ pin can be left floating.

### 8.2.2 Detailed Design Procedure

The ideal EQ setting is dependent upon the signal chain loss characteristics of the target platform. The general recommendation is to start with EQ level 0, and then increment to EQ level 1, and so on. if permissible.

In order for the TUSB211 to recognize any change to the EQ setting, the RSTN pin must be toggled. This is because the EQ pin is latched on power up and the pin is ignored thereafter.

In addition, TUSB211 does not compensate for any DC attenuation in the signal path. Therefore, minimizing DC loss (that is, resistance) in the system design, is suggested. As a consequence, this might lead to increased line capacitance. This is acceptable because the TUSB211 can compensate for the additional capacitive load.

Placement of the device is also dependent on the application goal. [表 1](#) summarizes the recommendations.

**表 1. TUSB211 Platform Placement Guideline**

PLATFORM GOAL	SUGGESTED TUSB211 PLACEMENT
Pass USB Near End Mask	Close to measurement point
Pass USB Far End Eye Mask	Close to USB PHY
Cascade multiple 211s to improve device enumeration	Midway between each USB interconnect

#### 注

USB-IF certification tests for High Speed eye masks require the *mandated use* of the USB-IF developed test fixtures. These test fixtures do not require the use of oscilloscope probes. Instead they use SMA cables. More information can be found at the USB-IF Compliance Updates Page. It is located under the 'Electricals' section, ID 86 dated March 2013.

The following procedure must be followed before using any oscilloscope compliance software to construct a USB High Speed Eye Mask:

#### 8.2.2.1 For a Host Side Application

1. Configure the TUSB211 to the desired EQ setting
2. Power on (or toggle the RSTN pin if already powered on) the TUSB211
3. Using SMA cables, connect the oscilloscope and the USB-IF host-side test fixture to the TUSB211
4. Enable the host to transmit USB TEST\_PACKET
5. Execute the oscilloscope's USB compliance software.
6. Repeat the above steps in order to re-test TUSB211 with a different EQ setting

### 8.2.2.2 For a Device Side Application

1. Configure the TUSB211 to the desired EQ setting
2. Power on (or toggle the RSTN pin if already powered on) the TUSB211
3. Connect a USB host, the USB-IF device-side test fixture, and USB device to the TUSB211. Ensure that the USB-IF device test fixture is configured to the 'INIT' position
4. Allow the host to enumerate the device
5. Enable the device to transmit USB TEST\_PACKET
6. Using SMA cables, connect the oscilloscope to the USB-IF device-side test fixture and ensure that the device-side test fixture is configured to the 'TEST' position.
7. Execute the oscilloscope's USB compliance software.
8. Repeat the above steps in order to re-test TUSB211 with a different EQ setting

### 8.2.3 Application Curves

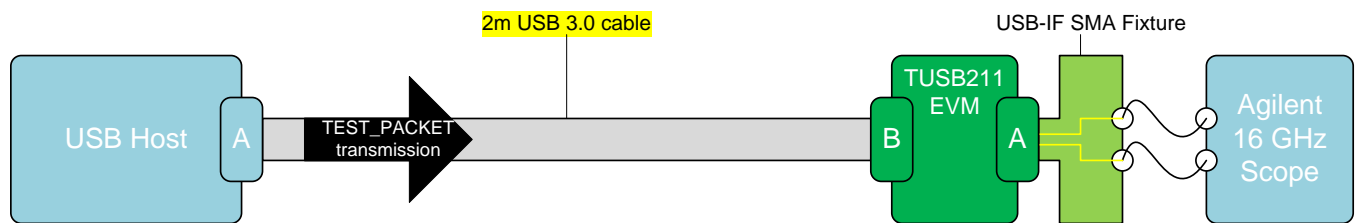


图 2. Eye Diagram Bench Setup

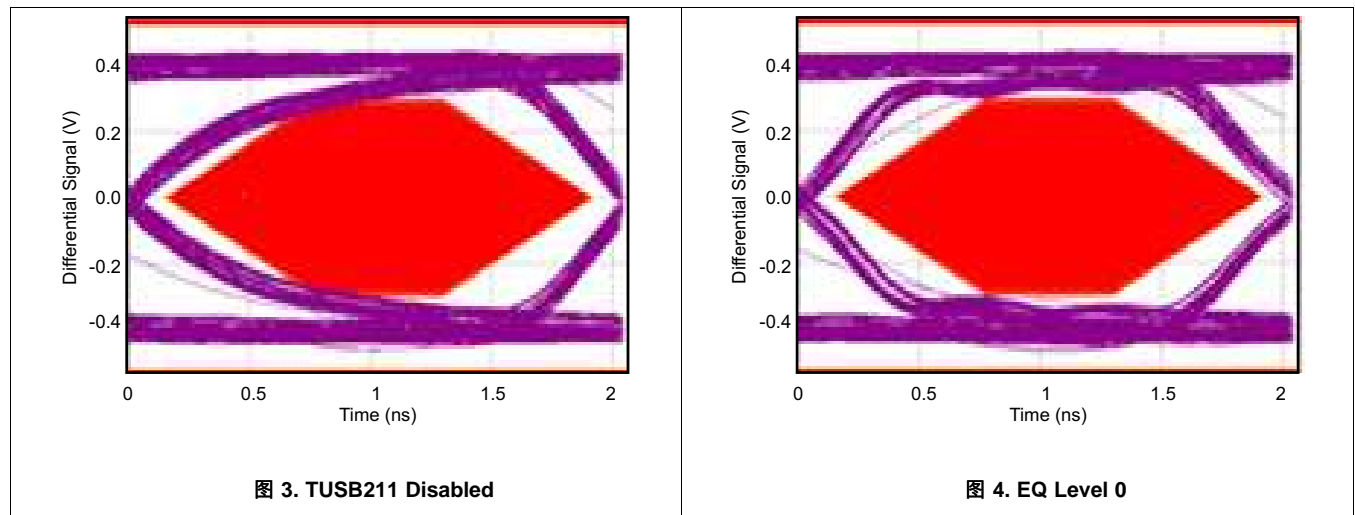


图 3. TUSB211 Disabled

图 4. EQ Level 0

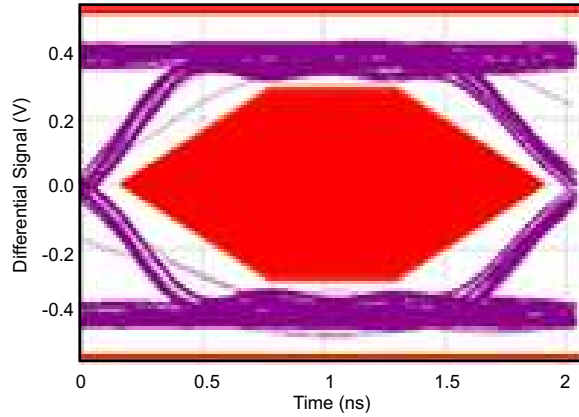


图 5. EQ Level 1

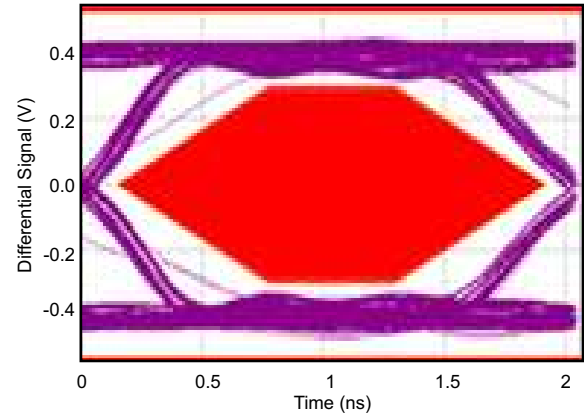


图 6. EQ Level 2

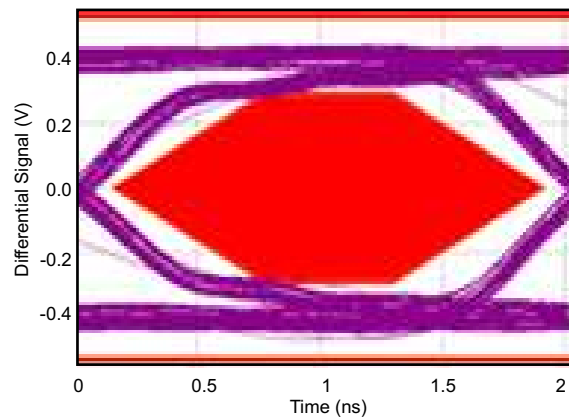


图 7. EQ Level 3

## 9 Power Supply Recommendations

On power up, the interaction of the RSTN pin and power on ramp could result in digital circuits not being set correctly. The device should not be enabled until the power on ramp has settled to 3 V or higher to guarantee a correct power on reset of the digital circuitry. If RSTN cannot be held low by microcontroller or other circuitry until the power on ramp has settled, then an external capacitor from the RSTN pin to GND is required to hold the device in the low power reset state.

The RC time constant should be larger than five times of the power on ramp time (0 to  $V_{CC}$ ). With a typical internal pullup resistance of 500 k $\Omega$ , the recommended minimum external capacitance is calculated as:

$$[\text{Ramp Time} \times 5] \div [500 \text{ k}\Omega] \quad (1)$$

## 10 Layout

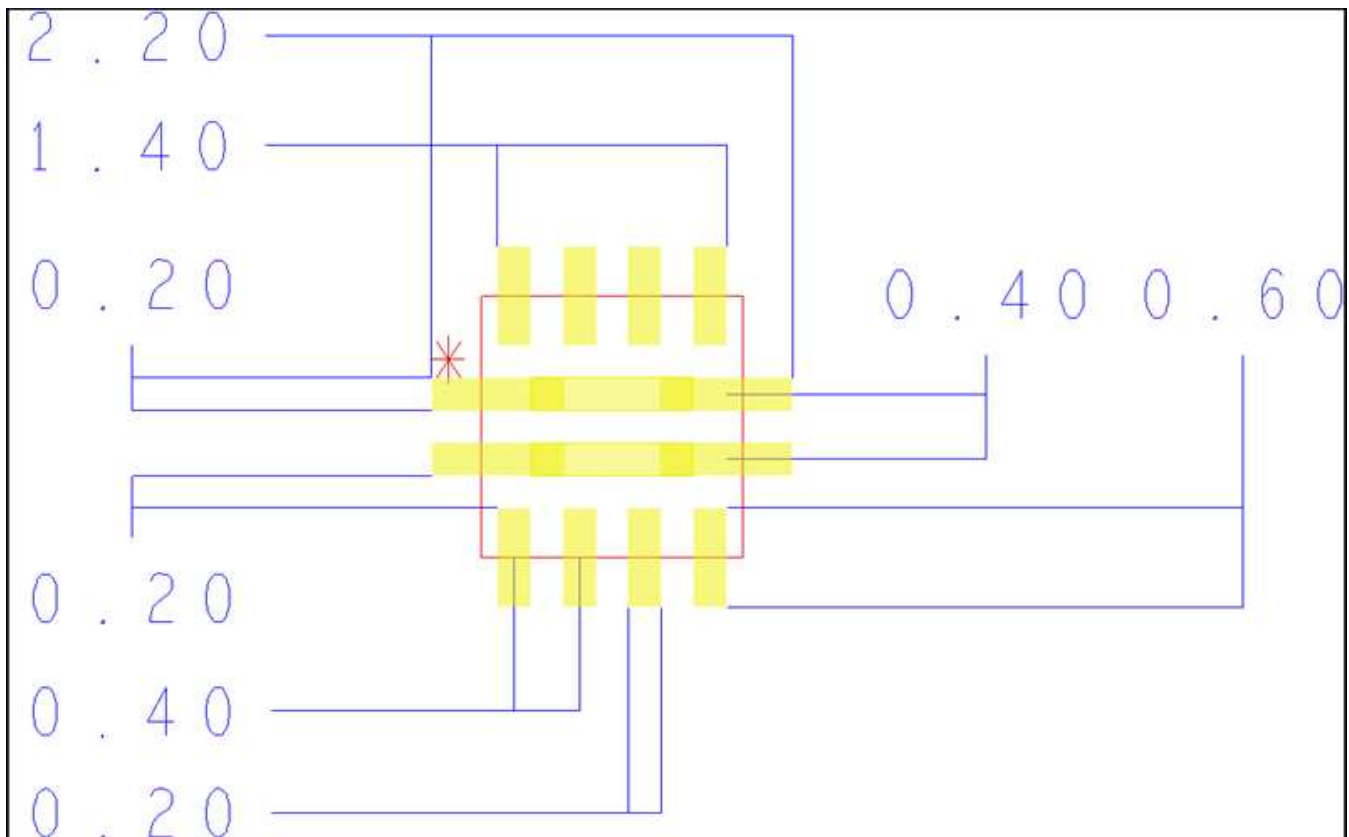
### 10.1 Layout Guidelines

There is no need to break the USB signal trace. Thus, even with the TUSB211 powered down, or not populated, the USB link is still fully operational. To avoid the need for signal vias, routing the High Speed traces directly underneath the TUSB211 package, as illustrated in the PCB land pattern shown in [图 8](#), is recommended.

Although the land pattern shown below has matched trace width to pad width, optimal impedance control is based on the user's own PCB stack-up. It is recommended to maintain 90 Ω differential routing underneath the device.

All dimensions are in millimetres (mm).

### 10.2 Layout Example



**图 8. DP and DM Routing Underneath Device Package**

## 11 器件和文档支持

### 11.1 相关链接

下表列出了快速访问链接。类别包括技术文档、支持和社区资源、工具和软件以及立即订购快速访问。

表 2. 相关链接

器件	产品文件夹	立即订购	技术文档	工具和软件	支持和社区
TUSB211	<a href="#">请单击此处</a>	<a href="#">请单击此处</a>	<a href="#">请单击此处</a>	<a href="#">请单击此处</a>	<a href="#">请单击此处</a>
TUSB211I	<a href="#">请单击此处</a>	<a href="#">请单击此处</a>	<a href="#">请单击此处</a>	<a href="#">请单击此处</a>	<a href="#">请单击此处</a>

### 11.2 社区资源

下列链接提供到 TI 社区资源的连接。链接的内容由各个分销商“按照原样”提供。这些内容并不构成 TI 技术规范，并且不一定反映 TI 的观点；请参阅 TI 的《使用条款》。

**TI E2E™ 在线社区** *TI 的工程师对工程师 (E2E) 社区*。此社区的创建目的在于促进工程师之间的协作。在 e2e.ti.com 中，您可以咨询问题、分享知识、拓展思路并与同行工程师一道帮助解决问题。

**设计支持** *TI 参考设计支持* 可帮助您快速查找有帮助的 E2E 论坛、设计支持工具以及技术支持的联系信息。

### 11.3 商标

E2E is a trademark of Texas Instruments.  
All other trademarks are the property of their respective owners.

### 11.4 静电放电警告



这些装置包含有限的内置 ESD 保护。存储或装卸时，应将导线一起截短或将装置放置于导电泡棉中，以防止 MOS 门极遭受静电损伤。

### 11.5 Glossary

**SLYZ022** — *TI Glossary*.

This glossary lists and explains terms, acronyms, and definitions.

## 12 机械、封装和可订购信息

以下页面包含机械、封装和可订购信息。这些信息是指定器件的最新可用数据。这些数据如有变更，恕不另行通知和修订此文档。如欲获取此产品说明书的浏览器版本，请参阅左侧的导航。

**PACKAGING INFORMATION**

Orderable Device	Status (1)	Package Type	Package Drawing	Pins	Package Qty	Eco Plan (2)	Lead finish/ Ball material (6)	MSL Peak Temp (3)	Op Temp (°C)	Device Marking (4/5)	Samples
TUSB2111RWBR	NRND	X2QFN	RWB	12	3000	RoHS & Green	NIPDAU	Level-2-260C-1 YEAR	-40 to 85	I1	
TUSB2111RWBR	NRND	X2QFN	RWB	12	3000	RoHS & Green	NIPDAU	Level-2-260C-1 YEAR	0 to 70	C1	

(1) The marketing status values are defined as follows:

**ACTIVE:** Product device recommended for new designs.

**LIFEBUY:** TI has announced that the device will be discontinued, and a lifetime-buy period is in effect.

**NRND:** Not recommended for new designs. Device is in production to support existing customers, but TI does not recommend using this part in a new design.

**PREVIEW:** Device has been announced but is not in production. Samples may or may not be available.

**OBSOLETE:** TI has discontinued the production of the device.

(2) **RoHS:** TI defines "RoHS" to mean semiconductor products that are compliant with the current EU RoHS requirements for all 10 RoHS substances, including the requirement that RoHS substance do not exceed 0.1% by weight in homogeneous materials. Where designed to be soldered at high temperatures, "RoHS" products are suitable for use in specified lead-free processes. TI may reference these types of products as "Pb-Free".

**RoHS Exempt:** TI defines "RoHS Exempt" to mean products that contain lead but are compliant with EU RoHS pursuant to a specific EU RoHS exemption.

**Green:** TI defines "Green" to mean the content of Chlorine (Cl) and Bromine (Br) based flame retardants meet JS709B low halogen requirements of <=1000ppm threshold. Antimony trioxide based flame retardants must also meet the <=1000ppm threshold requirement.

(3) MSL, Peak Temp. - The Moisture Sensitivity Level rating according to the JEDEC industry standard classifications, and peak solder temperature.

(4) There may be additional marking, which relates to the logo, the lot trace code information, or the environmental category on the device.

(5) Multiple Device Markings will be inside parentheses. Only one Device Marking contained in parentheses and separated by a "~" will appear on a device. If a line is indented then it is a continuation of the previous line and the two combined represent the entire Device Marking for that device.

(6) Lead finish/Ball material - Orderable Devices may have multiple material finish options. Finish options are separated by a vertical ruled line. Lead finish/Ball material values may wrap to two lines if the finish value exceeds the maximum column width.

**Important Information and Disclaimer:**The information provided on this page represents TI's knowledge and belief as of the date that it is provided. TI bases its knowledge and belief on information provided by third parties, and makes no representation or warranty as to the accuracy of such information. Efforts are underway to better integrate information from third parties. TI has taken and continues to take reasonable steps to provide representative and accurate information but may not have conducted destructive testing or chemical analysis on incoming materials and chemicals. TI and TI suppliers consider certain information to be proprietary, and thus CAS numbers and other limited information may not be available for release.

In no event shall TI's liability arising out of such information exceed the total purchase price of the TI part(s) at issue in this document sold by TI to Customer on an annual basis.

**TAPE AND REEL INFORMATION**

**QUADRANT ASSIGNMENTS FOR PIN 1 ORIENTATION IN TAPE**


\*All dimensions are nominal

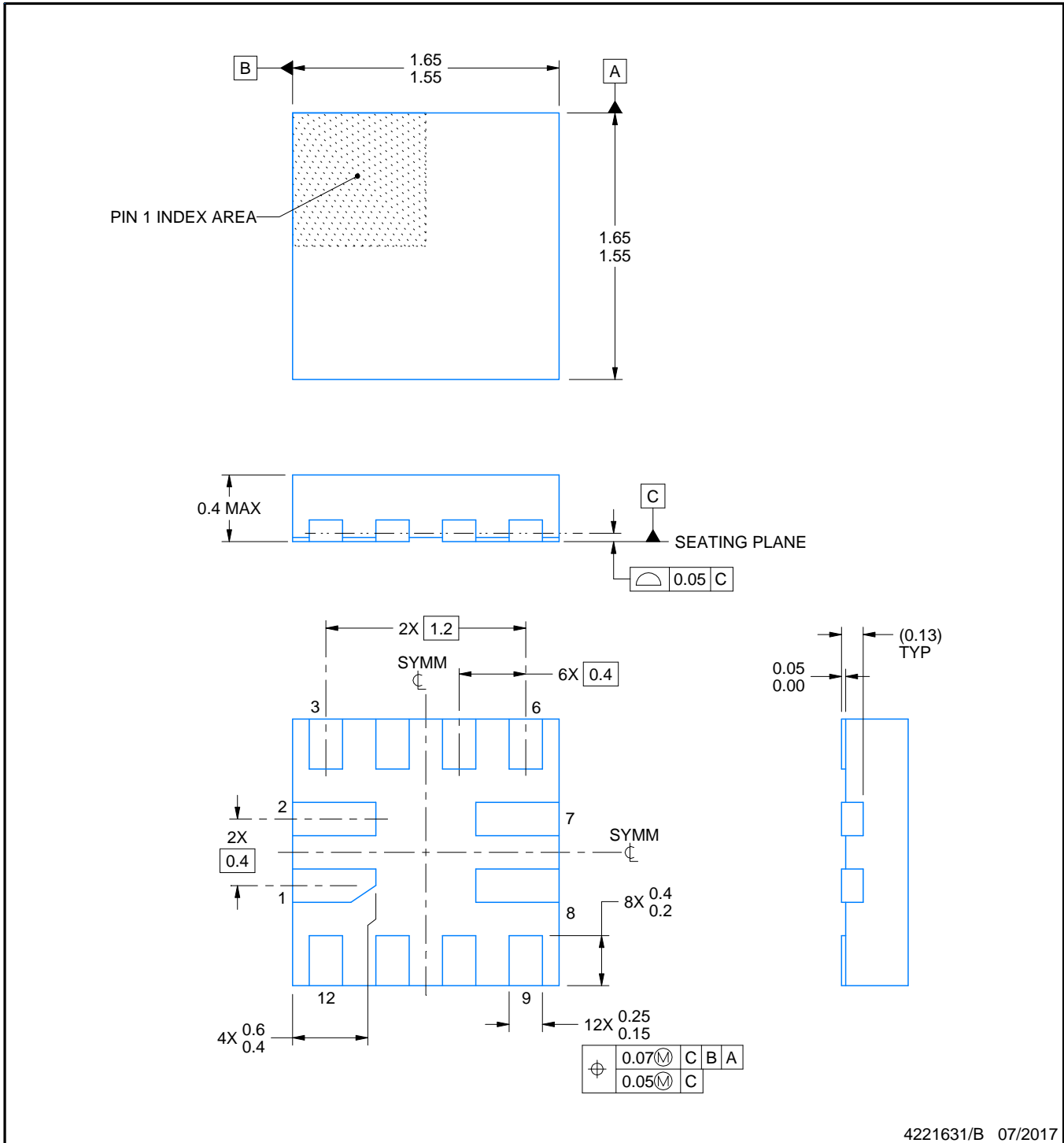
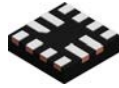
Device	Package Type	Package Drawing	Pins	SPQ	Reel Diameter (mm)	Reel Width W1 (mm)	A0 (mm)	B0 (mm)	K0 (mm)	P1 (mm)	W (mm)	Pin1 Quadrant
TUSB211RWBR	X2QFN	RWB	12	3000	180.0	8.4	1.8	1.8	0.48	4.0	8.0	Q2
TUSB211RWBR	X2QFN	RWB	12	3000	180.0	8.4	1.8	1.8	0.61	4.0	8.0	Q2
TUSB211RWBR	X2QFN	RWB	12	3000	180.0	8.4	1.8	1.8	0.48	4.0	8.0	Q2

**TAPE AND REEL BOX DIMENSIONS**


\*All dimensions are nominal

Device	Package Type	Package Drawing	Pins	SPQ	Length (mm)	Width (mm)	Height (mm)
TUSB2111RWBR	X2QFN	RWB	12	3000	210.0	185.0	35.0
TUSB211RWBR	X2QFN	RWB	12	3000	213.0	191.0	35.0
TUSB211RWBR	X2QFN	RWB	12	3000	210.0	185.0	35.0





4221631/B 07/2017

NOTES:

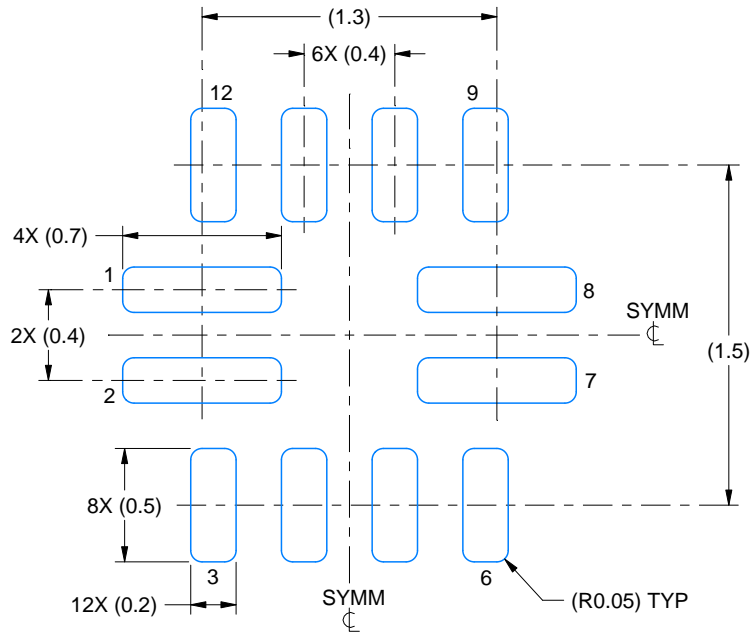
1. All linear dimensions are in millimeters. Any dimensions in parenthesis are for reference only. Dimensioning and tolerancing per ASME Y14.5M.
2. This drawing is subject to change without notice.

# EXAMPLE BOARD LAYOUT

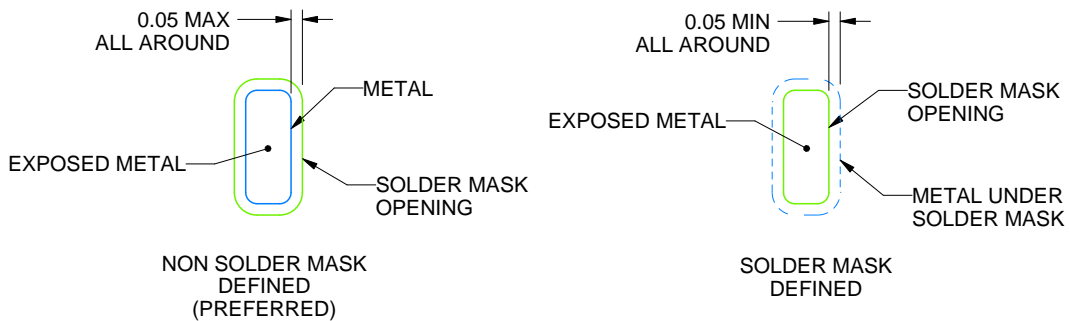
RWB0012A

X2QFN - 0.4 mm max height

PLASTIC QUAD FLATPACK - NO LEAD



LAND PATTERN EXAMPLE  
EXPOSED METAL SHOWN  
SCALE:30X



SOLDER MASK DETAILS

4221631/B 07/2017

NOTES: (continued)

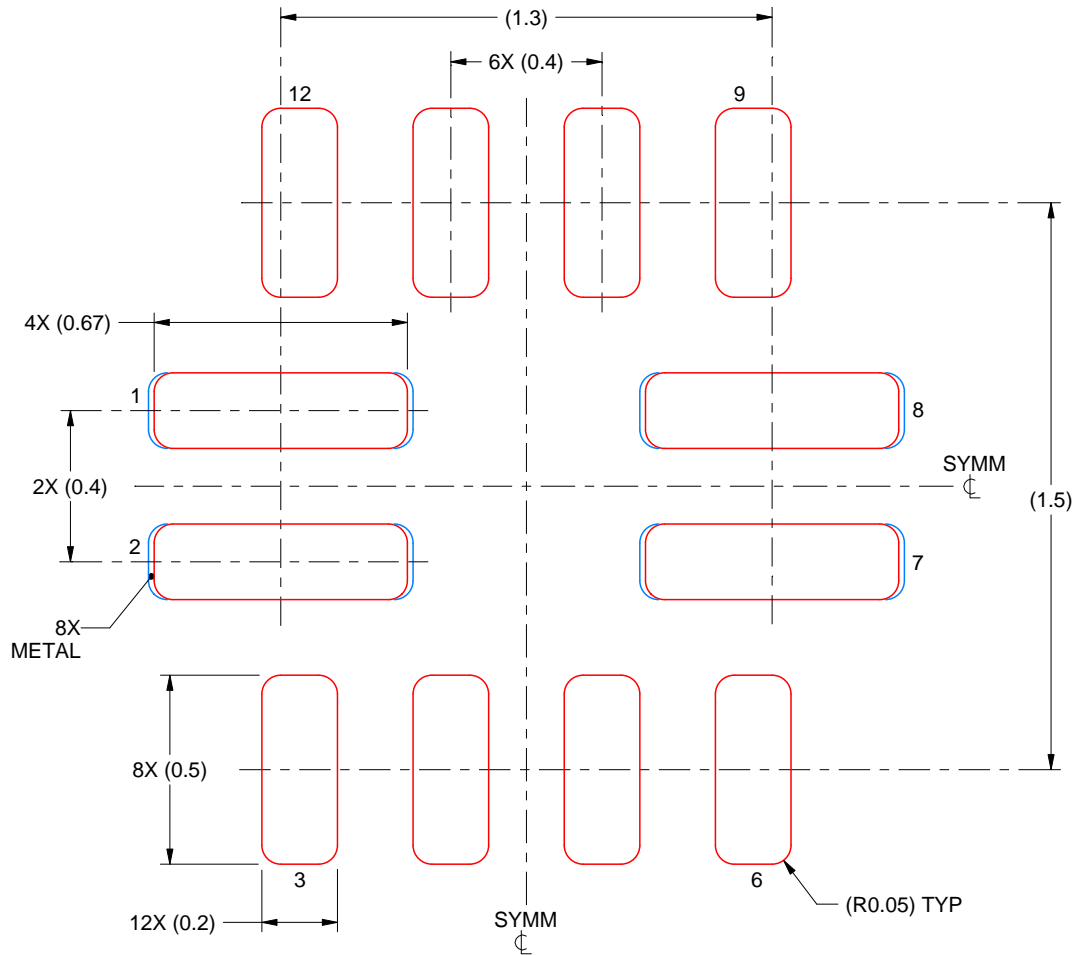
3. For more information, see Texas Instruments literature number SLUA271 ([www.ti.com/lit/slua271](http://www.ti.com/lit/slua271)).

# EXAMPLE STENCIL DESIGN

RWB0012A

X2QFN - 0.4 mm max height

PLASTIC QUAD FLATPACK - NO LEAD



**SOLDER PASTE EXAMPLE**  
BASED ON 0.1 mm THICK STENCIL  
PADS 1,2,7 & 8  
96% PRINTED SOLDER COVERAGE BY AREA  
SCALE:50X

4221631/B 07/2017

NOTES: (continued)

4. Laser cutting apertures with trapezoidal walls and rounded corners may offer better paste release. IPC-7525 may have alternate design recommendations.

## 重要声明和免责声明

TI“按原样”提供技术和可靠性数据（包括数据表）、设计资源（包括参考设计）、应用或其他设计建议、网络工具、安全信息和其他资源，不保证没有瑕疵且不做任何明示或暗示的担保，包括但不限于对适销性、某特定用途方面的适用性或不侵犯任何第三方知识产权的暗示担保。

这些资源可供使用 TI 产品进行设计的熟练开发人员使用。您将自行承担以下全部责任：(1) 针对您的应用选择合适的 TI 产品，(2) 设计、验证并测试您的应用，(3) 确保您的应用满足相应标准以及任何其他功能安全、信息安全、监管或其他要求。

这些资源如有变更，恕不另行通知。TI 授权您仅可将这些资源用于研发本资源所述的 TI 产品的应用。严禁对这些资源进行其他复制或展示。您无权使用任何其他 TI 知识产权或任何第三方知识产权。您应全额赔偿因在这些资源的使用中对 TI 及其代表造成的任何索赔、损害、成本、损失和债务，TI 对此概不负责。

TI 提供的产品受 [TI 的销售条款](#) 或 [ti.com](#) 上其他适用条款/TI 产品随附的其他适用条款的约束。TI 提供这些资源并不会扩展或以其他方式更改 TI 针对 TI 产品发布的适用的担保或担保免责声明。

TI 反对并拒绝您可能提出的任何其他或不同的条款。

邮寄地址：Texas Instruments, Post Office Box 655303, Dallas, Texas 75265

Copyright © 2024，德州仪器 (TI) 公司