

TXU0202-Q1 具有施密特触发输入和三态输出的 single-bit 定向电压电平转换器

1 特性

- 完全可配置的双电源轨设计允许各个端口在 1.1V 至 5.5V 范围内运行
- 在 3.3V 至 5.0V 范围内，支持高达 200Mbps 的速率
- 施密特触发输入可实现慢速和高噪声输入
- 带集成静态下拉电阻器的输入阻止通道流动
- 高驱动强度 (在 5V 时最高达 12mA)
- 低功耗
 - 最大值 2.5 μ A (25°C)
 - 最大值 6 μ A (-40°C 至 125°C)
- V_{CC} 隔离和 V_{CC} 断开 ($I_{off-float}$) 特性
 - 如果任何一个 V_{CC} 输入低于 100mV 或已断开，则所有输出均禁用且处于高阻抗状态
- I_{off} 支持局部断电模式运行
- 带有 $V_{CC(MIN)}$ 电路的控制逻辑 (OE) 允许从端口 A 或 B 进行控制
- 引脚排列兼容 TXB 系列电平转换器
- 可用于支持常见应用的另一型号: TXU0102
- 工作温度范围为 -40°C 至 +125°C
- 闩锁性能超过 100 mA，符合 JESD 78 II 类规范的要求
- ESD 保护性能超过 JESD 22 规范要求
 - 2500V 人体放电模型
 - 1500V 充电器件模型

2 应用

- 消除缓慢或嘈杂输入信号
- 驱动指示 LED 或蜂鸣器
- 机械开关去抖
- 通用 I/O 电平转换
- 推挽电平转换 (UART、SPI、JTAG 等等)

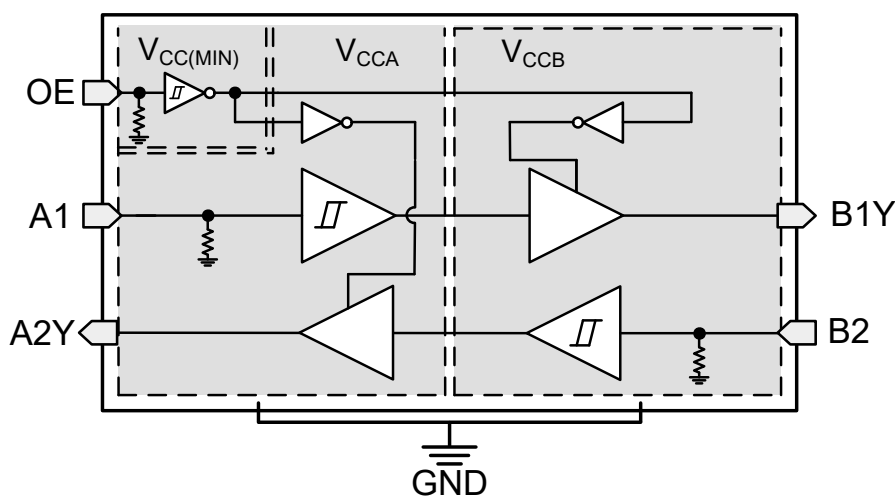
3 说明

TXU0202-Q1 是一款 2 位双电源同相定向电压电平转换器件。Ax 引脚以 V_{CCA} 逻辑电平为基准，OE 引脚可以 V_{CCA} 或 V_{CCB} 逻辑电平为基准，Bx 引脚以 V_{CCB} 逻辑电平为基准。A 端口可以接受 1.1V 至 5.5V 的输入电压，而 B 端口也可接受 1.1V 至 5.5V 的输入电压。如果 OE 相对于任一电源设为高电平，可能会发生从 A 到 B 或从 B 到 A 的定向数据传输。OE 设为低电平时，所有输出引脚均处于高阻抗状态。请参阅 [器件功能模式](#)，简要了解控制逻辑的运行。

封装信息⁽¹⁾

| 器件型号 | 封装 | 封装尺寸 (标称值) |
|---------|-----------------|-------------------|
| TXU0202 | VSSOP (DCU) (8) | 2.30mm × 2.00mm |
| | SON (DTT) (8) | 1.95 mm × 1.00 mm |

(1) 如需了解所有可用封装，请参阅数据表末尾的可订购产品附录。



TXU0202-Q1 功能方框图



Table of Contents

| | | | |
|-------------------------------------------------------------------------|----|------------------------------------------------------------------|----|
| 1 特性 | 1 | 8.1 Overview..... | 19 |
| 2 应用 | 1 | 8.2 Functional Block Diagram..... | 19 |
| 3 说明 | 1 | 8.3 Feature Description..... | 20 |
| 4 Revision History | 2 | 8.4 Device Functional Modes..... | 22 |
| 5 Pin Configuration and Functions—TXU0202-Q1 | 3 | 9 Application and Implementation | 23 |
| 6 Specifications | 4 | 9.1 Application Information..... | 23 |
| 6.1 Absolute Maximum Ratings..... | 4 | 9.2 Typical Application..... | 23 |
| 6.2 ESD Ratings..... | 4 | 10 Power Supply Recommendations | 24 |
| 6.3 Recommended Operating Conditions..... | 5 | 11 Layout | 25 |
| 6.4 Thermal Information..... | 5 | 11.1 Layout Guidelines..... | 25 |
| 6.5 Electrical Characteristics..... | 6 | 11.2 Layout Example..... | 25 |
| 6.6 Switching Characteristics, $V_{CCA} = 1.2 \pm 0.1 \text{ V}$ | 9 | 12 Device and Documentation Support | 26 |
| 6.7 Switching Characteristics, $V_{CCA} = 1.5 \pm 0.1 \text{ V}$ | 10 | 12.1 Device Support..... | 26 |
| 6.8 Switching Characteristics, $V_{CCA} = 1.8 \pm 0.15 \text{ V}$ | 11 | 12.2 Documentation Support..... | 26 |
| 6.9 Switching Characteristics, $V_{CCA} = 2.5 \pm 0.2 \text{ V}$ | 12 | 12.3 接收文档更新通知..... | 26 |
| 6.10 Switching Characteristics, $V_{CCA} = 3.3 \pm 0.3 \text{ V}$ | 13 | 12.4 支持资源..... | 26 |
| 6.11 Switching Characteristics, $V_{CCA} = 5.0 \pm 0.5 \text{ V}$ | 14 | 12.5 Trademarks..... | 26 |
| 6.12 Operating Characteristics..... | 15 | 12.6 Electrostatic Discharge Caution..... | 26 |
| 6.13 Typical Characteristics..... | 16 | 12.7 术语表..... | 26 |
| 7 Parameter Measurement Information | 17 | 13 Mechanical, Packaging, and Orderable Information | 26 |
| 7.1 Load Circuit and Voltage Waveforms..... | 17 | | |
| 8 Detailed Description | 19 | | |

4 Revision History

| DATE | REVISION | NOTES |
|-------------|----------|-----------------|
| August 2022 | * | Initial Release |

5 Pin Configuration and Functions—TXU202-Q1

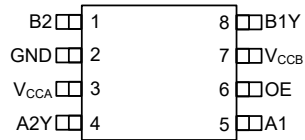


图 5-1. DCU Package, 8-Pin VSSOP (Top View)

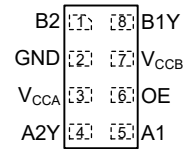


图 5-2. DTT Package, 8-Pin SON Transparent (Top View)

表 5-1. TXU202 Pin Functions

| PIN | | TYPE ⁽¹⁾ | DESCRIPTION |
|-----------|-----|---------------------|-------------------------------------------------------------------------------------------------------------------------------|
| NAME | NO. | | |
| B2 | 1 | I | Input B2. Referenced to V_{CCB} . |
| GND | 2 | — | Ground. |
| V_{CCA} | 3 | — | A-port supply voltage. $1.1\text{ V} \leq V_{CCA} \leq 5.5\text{ V}$ |
| A2Y | 4 | O | Output A2. Referenced to V_{CCA} . |
| A1 | 5 | I | Input A1. Referenced to V_{CCA} . |
| OE | 6 | I | Output Enable. Pull to GND to place all outputs in high-impedance mode. Pull to V_{CCA} or V_{CCB} to enable all outputs. |
| V_{CCB} | 7 | — | B-port supply voltage. $1.1\text{ V} \leq V_{CCB} \leq 5.5\text{ V}$ |
| B1Y | 8 | O | Output B1. Referenced to V_{CCB} . |

(1) I = input, O = output

6 Specifications

6.1 Absolute Maximum Ratings

over operating free-air temperature range (unless otherwise noted)⁽¹⁾

| | | | MIN | MAX | UNIT |
|------------------|---------------------------------------------------------------------------------------|--------------------|-------|------------------------|------|
| V _{CCA} | Supply voltage A | | - 0.5 | 6.5 | V |
| V _{CCB} | Supply voltage B | | - 0.5 | 6.5 | V |
| V _I | Input Voltage ⁽²⁾ | I/O Ports (A Port) | - 0.5 | 6.5 | V |
| | | I/O Ports (B Port) | - 0.5 | 6.5 | |
| | | OE | - 0.5 | 6.5 | |
| V _O | Voltage applied to any output in the high-impedance or power-off state ⁽²⁾ | A Port | - 0.5 | 6.5 | V |
| | | B Port | - 0.5 | 6.5 | |
| V _O | Voltage applied to any output in the high or low state ^{(2) (3)} | A Port | - 0.5 | V _{CCA} + 0.5 | V |
| | | B Port | - 0.5 | V _{CCB} + 0.5 | |
| I _{IK} | Input clamp current | V _I < 0 | - 20 | | mA |
| I _{OK} | Output clamp current | V _O < 0 | - 20 | | mA |
| I _O | Continuous output current | | - 25 | 25 | mA |
| | Continuous current through V _{CC} or GND | | - 100 | 100 | |
| T _J | Junction Temperature | | | 150 | °C |
| T _{stg} | Storage temperature | | - 65 | 150 | °C |

- (1) Operation outside the *Absolute Maximum Ratings* may cause permanent device damage. *Absolute Maximum Ratings* do not imply functional operation of the device at these or any other conditions beyond those listed under *Recommended Operating Conditions*. If used outside the *Recommended Operating Conditions* but within the *Absolute Maximum Ratings*, the device may not be fully functional, and this may affect device reliability, functionality, performance, and shorten the device lifetime.
- (2) The input voltage and output negative-voltage ratings may be exceeded if the input and output current ratings are observed.
- (3) The output positive-voltage rating may be exceeded up to 6.5 V maximum if the output current rating is observed.

6.2 ESD Ratings

| | | | VALUE | UNIT |
|--------------------|-------------------------|---------------------------------------------------------|-------|------|
| V _(ESD) | Electrostatic discharge | Human body model (HBM), per AEC Q100-002 ⁽¹⁾ | ±2500 | V |
| | | Charged device model (CDM), per AEC Q100-011 | ±1500 | |

- (1) AEC Q100-002 indicates that HBM stressing shall be in accordance with the ANSI/ESDA/JEDEC JS-001 specification.

6.3 Recommended Operating Conditions

over operating free-air temperature range (unless otherwise noted) ⁽¹⁾ ⁽²⁾ ⁽³⁾

| | | MIN | MAX | UNIT | |
|------------------|--------------------------------|---------------------------|------|------------------|---|
| V _{CCA} | Supply voltage A | 1.08 | 5.5 | V | |
| V _{CCB} | Supply voltage B | 1.08 | 5.5 | V | |
| I _{OH} | High-level output current | V _{CCO} = 1.1 V | -1.5 | mA | |
| | | V _{CCO} = 1.4 V | -3 | | |
| | | V _{CCO} = 1.65 V | -4.5 | | |
| | | V _{CCO} = 2.3 V | -8 | | |
| | | V _{CCO} = 3 V | -10 | | |
| | | V _{CCO} = 4.5 V | -12 | | |
| I _{OL} | Low-level output current | V _{CCO} = 1.1 V | 1.5 | mA | |
| | | V _{CCO} = 1.4 V | 3 | | |
| | | V _{CCO} = 1.65 V | 4.5 | | |
| | | V _{CCO} = 2.3 V | 8 | | |
| | | V _{CCO} = 3 V | 10 | | |
| | | V _{CCO} = 4.5 V | 12 | | |
| V _I | Input voltage ⁽³⁾ | 0 | 5.5 | V | |
| V _O | Output voltage | Active State | 0 | V _{CCO} | V |
| | | Tri-State | 0 | 5.5 | |
| T _A | Operating free-air temperature | -40 | 125 | °C | |

- (1) V_{CCI} is the V_{CC} associated with the input port.
- (2) V_{CCO} is the V_{CC} associated with the output port.
- (3) All control inputs and data I/Os of this device have weak pulldowns to ensure the line is not floating when undefined external to the device. The input leakage from these weak pulldowns is defined by the I_I specification indicated under [Electrical Characteristics](#).

6.4 Thermal Information

| THERMAL METRIC ⁽¹⁾ | TXU202-Q1 | | UNIT | |
|-------------------------------|----------------------------------------------|-----------|-------|------|
| | DCU (VSSOP) | DTT (SON) | | |
| | 8 PINS | 8 PINS | | |
| R _{θJA} | Junction-to-ambient thermal resistance | 257.0 | 249.8 | °C/W |
| R _{θJC(top)} | Junction-to-case (top) thermal resistance | 106.9 | 175.2 | °C/W |
| R _{θJB} | Junction-to-board thermal resistance | 168.3 | 145.4 | °C/W |
| Y _{JT} | Junction-to-top characterization parameter | 47.2 | 32.1 | °C/W |
| Y _{JB} | Junction-to-board characterization parameter | 167.3 | 145.0 | °C/W |

- (1) For more information about traditional and new thermal metrics, see the [Semiconductor and IC Package Thermal Metrics](#) application report.

6.5 Electrical Characteristics

over operating free-air temperature range (unless otherwise noted)^{(1) (2)}

| PARAMETER | TEST CONDITIONS | V _{CCA} | V _{CCB} | Operating free-air temperature (T _A) | | | | | | UNIT | | | |
|-----------------|-----------------------------------------------------------------|----------------------------------------------------------|------------------|--------------------------------------------------|-----|-----|----------------|------|------|------|-----------------|-----|-----|
| | | | | 25°C | | | – 40°C to 85°C | | | | – 40°C to 125°C | | |
| | | | | MIN | TYP | MAX | MIN | TYP | MAX | | MIN | TYP | MAX |
| V _{T+} | Positive-going input-threshold voltage | Data Inputs (Ax, Bx) (Referenced to V _{CCI}) | 1.1 V | 1.1 V | | | 0.44 | 0.88 | 0.44 | 0.88 | V | | |
| | | | 1.4 V | 1.4 V | | | 0.60 | 0.98 | 0.60 | 0.98 | | | |
| | | | 1.65 V | 1.65 V | | | 0.76 | 1.13 | 0.76 | 1.13 | | | |
| | | | 2.3 V | 2.3 V | | | 1.08 | 1.56 | 1.08 | 1.56 | | | |
| | | | 3 V | 3 V | | | 1.48 | 1.92 | 1.48 | 1.92 | | | |
| | | | 4.5 V | 4.5 V | | | 2.19 | 2.74 | 2.19 | 2.74 | | | |
| | | | 5.5 V | 5.5 V | | | 2.65 | 3.33 | 2.65 | 3.33 | | | |
| | | OE (Referenced to V _{CCA} or V _{CCB}) | 1.1 V | 1.1 V | | | 0.44 | 0.88 | 0.44 | 0.88 | V | | |
| | | | 1.4 V | 1.4 V | | | 0.60 | 0.98 | 0.60 | 0.98 | | | |
| | | | 1.65 V | 1.65 V | | | 0.76 | 1.13 | 0.76 | 1.13 | | | |
| | | | 2.3 V | 2.3 V | | | 1.08 | 1.56 | 1.08 | 1.56 | | | |
| | | | 3 V | 3 V | | | 1.48 | 1.92 | 1.48 | 1.92 | | | |
| | | | 4.5 V | 4.5 V | | | 2.19 | 2.74 | 2.19 | 2.74 | | | |
| | | | 5.5 V | 5.5 V | | | 2.65 | 3.33 | 2.65 | 3.33 | | | |
| V _{T-} | Negative-going input-threshold voltage | Data Inputs (Ax, Bx) (Referenced to V _{CCI}) | 1.1 V | 1.1 V | | | 0.17 | 0.48 | 0.17 | 0.48 | V | | |
| | | | 1.4 V | 1.4 V | | | 0.28 | 0.59 | 0.28 | 0.59 | | | |
| | | | 1.65 V | 1.65 V | | | 0.35 | 0.69 | 0.35 | 0.69 | | | |
| | | | 2.3 V | 2.3 V | | | 0.56 | 0.97 | 0.56 | 0.97 | | | |
| | | | 3 V | 3 V | | | 0.89 | 1.5 | 0.89 | 1.5 | | | |
| | | | 4.5 V | 4.5 V | | | 1.51 | 1.97 | 1.51 | 1.97 | | | |
| | | | 5.5 V | 5.5 V | | | 1.88 | 2.4 | 1.88 | 2.4 | | | |
| | | OE (Referenced to V _{CCA} or V _{CCB}) | 1.1 V | 1.1 V | | | 0.17 | 0.48 | 0.17 | 0.48 | V | | |
| | | | 1.4 V | 1.4 V | | | 0.28 | 0.59 | 0.28 | 0.59 | | | |
| | | | 1.65 V | 1.65 V | | | 0.35 | 0.69 | 0.35 | 0.69 | | | |
| | | | 2.3 V | 2.3 V | | | 0.56 | 0.97 | 0.56 | 0.97 | | | |
| | | | 3 V | 3 V | | | 0.89 | 1.5 | 0.89 | 1.5 | | | |
| | | | 4.5 V | 4.5 V | | | 1.51 | 1.97 | 1.51 | 1.97 | | | |
| | | | 5.5 V | 5.5 V | | | 1.88 | 2.46 | 1.88 | 2.46 | | | |
| ΔV _T | Input-threshold hysteresis (V _{T+} – V _{T-}) | Data Inputs (Ax, Bx) (Referenced to V _{CCI}) | 1.1 V | 1.1 V | | | 0.2 | 0.4 | 0.2 | 0.4 | V | | |
| | | | 1.4 V | 1.4 V | | | 0.25 | 0.5 | 0.25 | 0.5 | | | |
| | | | 1.65 V | 1.65 V | | | 0.3 | 0.55 | 0.3 | 0.55 | | | |
| | | | 2.3 V | 2.3 V | | | 0.38 | 0.65 | 0.38 | 0.65 | | | |
| | | | 3 V | 3 V | | | 0.46 | 0.72 | 0.46 | 0.72 | | | |
| | | | 4.5 V | 4.5 V | | | 0.58 | 0.93 | 0.58 | 0.93 | | | |
| | | | 5.5 V | 5.5 V | | | 0.69 | 1.06 | 0.69 | 1.06 | | | |
| | | OE (Referenced to V _{CCA} or V _{CCB}) | 1.1 V | 1.1 V | | | 0.15 | 0.41 | 0.15 | 0.41 | V | | |
| | | | 1.4 V | 1.4 V | | | 0.2 | 0.5 | 0.2 | 0.5 | | | |
| | | | 1.65 V | 1.65 V | | | 0.23 | 0.55 | 0.23 | 0.55 | | | |
| | | | 2.3 V | 2.3 V | | | 0.32 | 0.65 | 0.32 | 0.65 | | | |
| | | | 3 V | 3 V | | | 0.39 | 0.72 | 0.39 | 0.72 | | | |
| | | | 4.5 V | 4.5 V | | | 0.57 | 0.97 | 0.57 | 0.97 | | | |
| | | | 5.5 V | 5.5 V | | | 0.69 | 1.18 | 0.69 | 1.18 | | | |

6.5 Electrical Characteristics (continued)

over operating free-air temperature range (unless otherwise noted)^{(1) (2)}

| PARAMETER | TEST CONDITIONS | V _{CCA} | V _{CCB} | Operating free-air temperature (T _A) | | | | | | | | | UNIT |
|------------------------|--------------------------------------------|------------------------------------------------------------------------------------------------------------------|-------------------------|--------------------------------------------------|-------|-----|----------------|-----------------------|-------|-----------------|-----------------------|-----|------|
| | | | | 25°C | | | - 40°C to 85°C | | | - 40°C to 125°C | | | |
| | | | | MIN | TYP | MAX | MIN | TYP | MAX | MIN | TYP | MAX | |
| V _{OH} | High-level output voltage ⁽³⁾ | I _{OH} = - 0.1 mA | 1.1 V - 5.5 V | 1.1 V - 5.5 V | | | | V _{CCO} - | | | V _{CCO} - | V | |
| | | I _{OH} = - 0.5 mA | 1.1 V | 1.1 V | | | | 0.1 | | | 0.1 | | |
| | | I _{OH} = - 3 mA | 1.4 V | 1.4 V | | | | 0.82 | | | 0.82 | | |
| | | I _{OH} = - 4.5 mA | 1.65 V | 1.65 V | | | | 1 | | | 1 | | |
| | | I _{OH} = - 8 mA | 2.3 V | 2.3 V | | | | 1.2 | | | 1.2 | | |
| | | I _{OH} = - 10 mA | 3 V | 3 V | | | | 1.7 | | | 1.7 | | |
| | | I _{OH} = - 12 mA | 4.5 V | 4.5 V | | | | 2.2 | | | 2.2 | | |
| V _{OL} | Low-level output voltage ⁽⁴⁾ | I _{OL} = 0.1 mA | 1.1 V - 5.5 V | 1.1 V - 5.5 V | | | | | | 0.1 | 0.1 | V | |
| | | I _{OL} = 0.5 mA | 1.1 V | 1.1 V | | | | | | 0.27 | 0.27 | | |
| | | I _{OL} = 3 mA | 1.4 V | 1.4 V | | | | | | 0.35 | 0.35 | | |
| | | I _{OL} = 4.5 mA | 1.65 V | 1.65 V | | | | | | 0.45 | 0.45 | | |
| | | I _{OL} = 8 mA | 2.3 V | 2.3 V | | | | | | 0.7 | 0.7 | | |
| | | I _{OL} = 10 mA | 3 V | 3 V | | | | | | 0.8 | 0.8 | | |
| | | I _{OL} = 12 mA | 4.5 V | 4.5 V | | | | | | 0.55 | 0.55 | | |
| I _I | Input leakage current | OE V _I = V _{CC} or GND | 1.1 V - 5.5 V | 1.1 V - 5.5 V | - 0.1 | 1.5 | - 0.1 | 1.5 | - 0.1 | 2 | 2 | μA | |
| | | Data Inputs (Ax, Bx) V _I = V _{CCI} or GND | 1.1 V - 5.5 V | 1.1 V - 5.5 V | - 0.1 | 1.5 | - 0.1 | 1.5 | - 2 | 2 | 2 | μA | |
| I _{off} | Partial power down current | A Port or B Port V _I or V _O = 0 V - 5.5 V | 0 V | 1.1 V - 5.5 V | - 1.5 | 1.5 | - 2 | 2 | - 2.5 | 2.5 | 2.5 | μA | |
| | | | 1.1 V - 5.5 V | 0 V | - 1.5 | 1.5 | - 2 | 2 | - 2.5 | 2.5 | | | |
| I _{off-float} | Floating supply Partial power down current | A Port or B Port V _I or V _O = GND | Floating ⁽⁵⁾ | 1.1 V - 5.5 V | - 1.5 | 1.5 | - 2 | 2 | - 2.5 | 2.5 | 2.5 | μA | |
| | | | 0 V - 5.5 V | Floating ⁽⁵⁾ | - 1.5 | 1.5 | - 2 | 2 | - 2.5 | 2.5 | | | |
| I _{OZ} | Tri-state output current | A or B Port: V _I = V _{CCI} or GND V _O = V _{CCO} or GND OE = GND | 1.1 V - 5.5 V | 1.1 V - 5.5 V | - 0.3 | 0.3 | - 1 | 1 | - 2 | 2 | μA | | |
| I _{CCA} | V _{CCA} supply current | V _I = V _{CCI} or GND I _O = 0 | 1.1 V - 5.5 V | 1.1 V - 5.5 V | | 1.5 | | 2.5 | | 6 | μA | | |
| | | | 0 V | 5.5 V | - 0.3 | | - 1 | | - 1 | | | | |
| | | | 5.5 V | 0 V | | 1 | | 1.5 | | 3 | | | |
| | V _I = GND I _O = 0 | 5.5 V | Floating ⁽⁵⁾ | | 1.5 | | 7 | | 15 | | | | |
| I _{CCB} | V _{CCB} supply current | V _I = V _{CCI} or GND I _O = 0 | 1.1 V - 5.5 V | 1.1 V - 5.5 V | | 1.5 | | 2.5 | | 6 | μA | | |
| | | | 0 V | 5.5 V | | 1 | | 1.5 | | 3 | | | |
| | | | 5.5 V | 0 V | - 0.3 | | - 1 | | - 1 | | | | |
| | | V _I = GND I _O = 0 | Floating ⁽⁵⁾ | 5.5 V | | 1.5 | | 7 | | 15 | | | |

6.5 Electrical Characteristics (continued)

over operating free-air temperature range (unless otherwise noted)^{(1) (2)}

| PARAMETER | | TEST CONDITIONS | V _{CCA} | V _{CCB} | Operating free-air temperature (T _A) | | | | | | | | | UNIT |
|-------------------------------------------|---------------------------|----------------------------------------------------------------|------------------|------------------|--------------------------------------------------|-----|-----|----------------|-----|-----|-----------------|-----|-----|------|
| | | | | | 25°C | | | - 40°C to 85°C | | | - 40°C to 125°C | | | |
| | | | | | MIN | TYP | MAX | MIN | TYP | MAX | MIN | TYP | MAX | |
| I _{CCA} + I _{CCB} | Combined supply current | V _I = V _{CCI} or GND I _O = 0 | 1.1 V - 5.5 V | 1.1 V - 5.5 V | 2.5 | | | 3 | | | 6 | | | μA |
| C _i | Control Input Capacitance | V _I = 3.3 V or GND | 3.3 V | 3.3 V | 2.75 | | | 3 | | | 3.5 | | | pF |
| C _{io} | Data I/O Capacitance | OE = GND, V _O = 1.65 V DC +1 MHz -16 dBm sine wave | 3.3 V | 3.3 V | 3 | | | 4 | | | 4 | | | pF |

(1) V_{CCI} is the V_{CC} associated with the input port.

(2) V_{CCO} is the V_{CC} associated with the output port.

(3) Tested at V_I = V_{T+(MAX)}.

(4) Tested at V_I = V_{T-(MIN)}.

(5) Floating is defined as a node that is both not actively driven by an external device and has leakage not exceeding 10 nA.

6.6 Switching Characteristics, $V_{CCA} = 1.2 \pm 0.1 \text{ V}$

See 图 7-1 and 表 7-1 for test circuit and loading. See 图 7-2, 图 7-3, and 图 7-4 for measurement waveforms.

| PARAMETER | | FROM | TO | Test Conditions | B-Port Supply Voltage (V_{CCB}) | | | | | | | | | | | | UNIT | | | | | | |
|-----------|-------------------|------|----|-----------------|-------------------------------------|-----|------|-------------------------|------|-----|--------------------------|-----|------|-------------------------|------|-----|------|-------------------------|-----|-----|-------------------------|-----|-----|
| | | | | | $1.2 \pm 0.1 \text{ V}$ | | | $1.5 \pm 0.1 \text{ V}$ | | | $1.8 \pm 0.15 \text{ V}$ | | | $2.5 \pm 0.2 \text{ V}$ | | | | $3.3 \pm 0.3 \text{ V}$ | | | $5.0 \pm 0.5 \text{ V}$ | | |
| | | | | | MIN | TYP | MAX | MIN | TYP | MAX | MIN | TYP | MAX | MIN | TYP | MAX | | MIN | TYP | MAX | MIN | TYP | MAX |
| t_{pd} | Propagation delay | A | B | -40°C to 85°C | 3.3 | 96 | 0.5 | 43 | 0.5 | 37 | 0.5 | 32 | 0.5 | 30 | 0.5 | 31 | ns | | | | | | |
| | | | | -40°C to 125°C | 3.3 | 96 | 0.5 | 43 | 0.5 | 37 | 0.5 | 32 | 0.5 | 30 | 0.5 | 31 | | | | | | | |
| | | B | A | -40°C to 85°C | 3.3 | 95 | 1.9 | 80 | 0.5 | 75 | 0.5 | 70 | 0.5 | 69 | 0.5 | 69 | | | | | | | |
| | | | | -40°C to 125°C | 3.3 | 95 | 1.9 | 80 | 0.5 | 75 | 0.5 | 70 | 0.5 | 69 | 0.5 | 69 | | | | | | | |
| t_{dis} | Disable time | OE | A | -40°C to 85°C | 28.8 | 133 | 28.5 | 130 | 28.4 | 133 | 28.8 | 137 | 28.4 | 143 | 18.7 | 211 | ns | | | | | | |
| | | | | -40°C to 125°C | 28.8 | 133 | 28.5 | 130 | 28.4 | 133 | 28.8 | 137 | 28.4 | 143 | 18.7 | 211 | | | | | | | |
| | | OE | B | -40°C to 85°C | 32.5 | 150 | 27.6 | 117 | 25.8 | 110 | 22.5 | 104 | 22.1 | 112 | 20.1 | 181 | | | | | | | |
| | | | | -40°C to 125°C | 32.5 | 150 | 27.6 | 117 | 25.8 | 110 | 22.5 | 104 | 22.1 | 112 | 20.1 | 181 | | | | | | | |
| t_{en} | Enable time | OE | A | -40°C to 85°C | 24.1 | 237 | 22.1 | 229 | 21.4 | 230 | 21.3 | 232 | 21.7 | 235 | 22.7 | 244 | ns | | | | | | |
| | | | | -40°C to 125°C | 24.1 | 237 | 22.1 | 229 | 21.4 | 230 | 21.3 | 232 | 21.7 | 235 | 22.7 | 244 | | | | | | | |
| | | OE | B | -40°C to 85°C | 21.3 | 237 | 14.3 | 152 | 11.2 | 140 | 8.8 | 130 | 8.2 | 130 | 8.4 | 132 | | | | | | | |
| | | | | -40°C to 125°C | 21.3 | 237 | 14.3 | 152 | 11.2 | 140 | 8.8 | 130 | 8.2 | 130 | 8.4 | 132 | | | | | | | |

6.7 Switching Characteristics, $V_{CCA} = 1.5 \pm 0.1 \text{ V}$

See 图 7-1 and 表 7-1 for test circuit and loading. See 图 7-2, 图 7-3, and 图 7-4 for measurement waveforms.

| PARAMETER | | FROM | TO | Test Conditions | B-Port Supply Voltage (V_{CCB}) | | | | | | | | | | | | UNIT | | | | | | |
|-----------|-------------------|------|----|-----------------|-------------------------------------|-----|------|-------------|------|-----|--------------|-----|------|-------------|------|-----|------|-------------|-----|-----|-------------|-----|-----|
| | | | | | 1.2 ± 0.1 V | | | 1.5 ± 0.1 V | | | 1.8 ± 0.15 V | | | 2.5 ± 0.2 V | | | | 3.3 ± 0.3 V | | | 5.0 ± 0.5 V | | |
| | | | | | MIN | TYP | MAX | MIN | TYP | MAX | MIN | TYP | MAX | MIN | TYP | MAX | | MIN | TYP | MAX | MIN | TYP | MAX |
| t_{pd} | Propagation delay | A | B | -40°C to 85°C | 1.9 | 80 | 0.5 | 31 | 0.5 | 25 | 0.5 | 19 | 0.5 | 17 | 0.5 | 15 | ns | | | | | | |
| | | | | -40°C to 125°C | 1.9 | 80 | 0.5 | 31 | 0.5 | 25 | 0.5 | 20 | 0.5 | 18 | 0.5 | 16 | | | | | | | |
| | | B | A | -40°C to 85°C | 0.5 | 43 | 0.5 | 31 | 0.5 | 28 | 0.5 | 26 | 0.5 | 25 | 0.5 | 24 | | | | | | | |
| | | | | -40°C to 125°C | 0.5 | 43 | 0.5 | 31 | 0.5 | 28 | 0.5 | 26 | 0.5 | 25 | 0.5 | 24 | | | | | | | |
| t_{dis} | Disable time | OE | A | -40°C to 85°C | 20.0 | 91 | 19.0 | 82 | 18.8 | 81 | 19.2 | 82 | 19.6 | 83 | 12.2 | 90 | ns | | | | | | |
| | | | | -40°C to 125°C | 20.0 | 95 | 19.0 | 86 | 18.8 | 85 | 19.2 | 87 | 19.6 | 88 | 12.2 | 92 | | | | | | | |
| | | OE | B | -40°C to 85°C | 27.4 | 127 | 21.7 | 91 | 19.9 | 82 | 16.3 | 71 | 15.9 | 71 | 13.7 | 70 | | | | | | | |
| | | | | -40°C to 125°C | 27.4 | 127 | 21.7 | 95 | 19.9 | 86 | 16.3 | 75 | 15.9 | 75 | 13.7 | 74 | | | | | | | |
| t_{en} | Enable time | OE | A | -40°C to 85°C | 14.9 | 102 | 14.4 | 86 | 13.5 | 88 | 12.7 | 90 | 12.6 | 92 | 13.2 | 97 | ns | | | | | | |
| | | | | -40°C to 125°C | 14.9 | 102 | 14.4 | 89 | 13.5 | 91 | 12.7 | 93 | 12.6 | 96 | 13.2 | 100 | | | | | | | |
| | | OE | B | -40°C to 85°C | 17.9 | 175 | 12.7 | 80 | 9.1 | 69 | 6.1 | 57 | 4.9 | 53 | 4.5 | 54 | | | | | | | |
| | | | | -40°C to 125°C | 17.9 | 175 | 12.7 | 81 | 9.1 | 71 | 6.1 | 60 | 4.9 | 56 | 4.5 | 57 | | | | | | | |

6.8 Switching Characteristics, $V_{CCA} = 1.8 \pm 0.15 \text{ V}$

See 图 7-1 and 表 7-1 for test circuit and loading. See 图 7-2, 图 7-3, and 图 7-4 for measurement waveforms.

| PARAMETER | | FROM | TO | Test Conditions | B-Port Supply Voltage (V_{CCB}) | | | | | | | | | | | | UNIT | | | | | | |
|-----------|-------------------|------|----|-----------------|-------------------------------------|-----|------|-------------------------|------|-----|--------------------------|-----|------|-------------------------|-----|-----|------|-------------------------|-----|-----|-------------------------|-----|-----|
| | | | | | $1.2 \pm 0.1 \text{ V}$ | | | $1.5 \pm 0.1 \text{ V}$ | | | $1.8 \pm 0.15 \text{ V}$ | | | $2.5 \pm 0.2 \text{ V}$ | | | | $3.3 \pm 0.3 \text{ V}$ | | | $5.0 \pm 0.5 \text{ V}$ | | |
| | | | | | MIN | TYP | MAX | MIN | TYP | MAX | MIN | TYP | MAX | MIN | TYP | MAX | | MIN | TYP | MAX | MIN | TYP | MAX |
| t_{pd} | Propagation delay | A | B | -40°C to 85°C | 0.5 | 75 | 0.5 | 28 | 0.5 | 22 | 0.5 | 17 | 0.5 | 14 | 0.5 | 12 | ns | | | | | | |
| | | | | -40°C to 125°C | 0.5 | 75 | 0.5 | 28 | 0.5 | 23 | 0.5 | 17 | 0.5 | 15 | 0.5 | 13 | | | | | | | |
| | | B | A | -40°C to 85°C | 0.5 | 37 | 0.5 | 25 | 0.5 | 22 | 0.5 | 19 | 0.5 | 19 | 0.5 | 18 | | | | | | | |
| | | | | -40°C to 125°C | 0.5 | 37 | 0.5 | 25 | 0.5 | 23 | 0.5 | 20 | 0.5 | 19 | 0.5 | 19 | | | | | | | |
| t_{dis} | Disable time | OE | A | -40°C to 85°C | 17.2 | 79 | 14.7 | 67 | 14.5 | 65 | 14.3 | 65 | 14.4 | 66 | 8.5 | 71 | ns | | | | | | |
| | | | | -40°C to 125°C | 17.2 | 83 | 14.7 | 71 | 14.5 | 69 | 14.3 | 70 | 14.4 | 71 | 8.5 | 75 | | | | | | | |
| | | OE | B | -40°C to 85°C | 25.4 | 121 | 18.7 | 81 | 16.5 | 71 | 12.8 | 60 | 12.5 | 58 | 9.8 | 55 | | | | | | | |
| | | | | -40°C to 125°C | 25.4 | 123 | 18.7 | 86 | 16.5 | 76 | 12.8 | 64 | 12.5 | 62 | 9.8 | 59 | | | | | | | |
| t_{en} | Enable time | OE | A | -40°C to 85°C | 10.9 | 88 | 9.5 | 66 | 9.4 | 63 | 8.6 | 65 | 8.2 | 66 | 8.1 | 69 | ns | | | | | | |
| | | | | -40°C to 125°C | 10.9 | 88 | 9.5 | 69 | 9.4 | 67 | 8.6 | 68 | 8.2 | 70 | 8.1 | 73 | | | | | | | |
| | | OE | B | -40°C to 85°C | 16.7 | 177 | 10.4 | 75 | 8.1 | 58 | 4.9 | 46 | 3.3 | 42 | 2.2 | 39 | | | | | | | |
| | | | | -40°C to 125°C | 16.7 | 177 | 10.4 | 77 | 8.1 | 60 | 4.9 | 49 | 3.3 | 44 | 2.2 | 42 | | | | | | | |

6.9 Switching Characteristics, $V_{CCA} = 2.5 \pm 0.2 \text{ V}$

See 图 7-1 and 表 7-1 for test circuit and loading. See 图 7-2, 图 7-3, and 图 7-4 for measurement waveforms.

| PARAMETER | | FROM | TO | Test Conditions | B-Port Supply Voltage (V_{CCB}) | | | | | | | | | | | | UNIT | | | | | | |
|-----------|-------------------|------|----|-----------------|-------------------------------------|-----|-----|-------------------------|-----|-----|--------------------------|-----|-----|-------------------------|-----|-----|------|-------------------------|-----|-----|-------------------------|-----|-----|
| | | | | | $1.2 \pm 0.1 \text{ V}$ | | | $1.5 \pm 0.1 \text{ V}$ | | | $1.8 \pm 0.15 \text{ V}$ | | | $2.5 \pm 0.2 \text{ V}$ | | | | $3.3 \pm 0.3 \text{ V}$ | | | $5.0 \pm 0.5 \text{ V}$ | | |
| | | | | | MIN | TYP | MAX | MIN | TYP | MAX | MIN | TYP | MAX | MIN | TYP | MAX | | MIN | TYP | MAX | MIN | TYP | MAX |
| t_{pd} | Propagation delay | A | B | -40°C to 85°C | 0.5 | 70 | | 0.5 | 26 | | 0.5 | 20 | | 0.5 | 14 | | 0.5 | 12 | | 0.5 | 9 | ns | |
| | | | | -40°C to 125°C | 0.5 | 70 | | 0.5 | 26 | | 0.5 | 20 | | 0.5 | 14 | | 0.5 | 12 | | 0.5 | 10 | | |
| | | B | A | -40°C to 85°C | 0.5 | 32 | | 0.5 | 19 | | 0.5 | 17 | | 0.5 | 14 | | 0.5 | 13 | | 0.5 | 13 | | |
| | | | | -40°C to 125°C | 0.5 | 32 | | 0.5 | 20 | | 0.5 | 17 | | 0.5 | 14 | | 0.5 | 13 | | 0.5 | 13 | | |
| t_{dis} | Disable time | OE | A | -40°C to 85°C | 12.9 | 65 | | 10.5 | 51 | | 9.0 | 51 | | 8.1 | 43 | | 8.4 | 44 | | 5.0 | 45 | ns | |
| | | | | -40°C to 125°C | 12.9 | 68 | | 10.5 | 55 | | 9.0 | 50 | | 8.1 | 47 | | 8.4 | 48 | | 5.0 | 49 | | |
| | | OE | B | -40°C to 85°C | 23.2 | 112 | | 16.5 | 74 | | 14.0 | 61 | | 9.0 | 46 | | 9.1 | 44 | | 6.4 | 39 | | |
| | | | | -40°C to 125°C | 23.2 | 115 | | 16.5 | 79 | | 14.0 | 66 | | 9.0 | 51 | | 9.1 | 48 | | 6.4 | 43 | | |
| t_{en} | Enable time | OE | A | -40°C to 85°C | 7.9 | 80 | | 5.9 | 50 | | 5.1 | 44 | | 4.7 | 39 | | 4.4 | 40 | | 3.7 | 41 | ns | |
| | | | | -40°C to 125°C | 7.9 | 80 | | 5.9 | 53 | | 5.1 | 47 | | 4.7 | 42 | | 4.4 | 43 | | 3.7 | 44 | | |
| | | OE | B | -40°C to 85°C | 16.3 | 183 | | 9.2 | 74 | | 6.0 | 54 | | 4.0 | 36 | | 2.1 | 31 | | 0.5 | 27 | | |
| | | | | -40°C to 125°C | 16.3 | 183 | | 9.2 | 76 | | 6.0 | 57 | | 4.0 | 38 | | 2.1 | 33 | | 0.5 | 29 | | |

6.10 Switching Characteristics, $V_{CCA} = 3.3 \pm 0.3 \text{ V}$

See 图 7-1 and 表 7-1 for test circuit and loading. See 图 7-2, 图 7-3, and 图 7-4 for measurement waveforms.

| PARAMETER | | FROM | TO | Test Conditions | B-Port Supply Voltage (V_{CCB}) | | | | | | | | | | | | UNIT | | | | | | |
|-----------|-------------------|------|----|-----------------|-------------------------------------|-----|------|-------------|------|-----|--------------|-----|-----|-------------|-----|-----|------|-------------|-----|-----|-------------|-----|-----|
| | | | | | 1.2 ± 0.1 V | | | 1.5 ± 0.1 V | | | 1.8 ± 0.15 V | | | 2.5 ± 0.2 V | | | | 3.3 ± 0.3 V | | | 5.0 ± 0.5 V | | |
| | | | | | MIN | TYP | MAX | MIN | TYP | MAX | MIN | TYP | MAX | MIN | TYP | MAX | | MIN | TYP | MAX | MIN | TYP | MAX |
| t_{pd} | Propagation delay | A | B | -40°C to 85°C | 0.5 | 69 | 0.5 | 25 | 0.5 | 19 | 0.5 | 13 | 0.5 | 11 | 0.5 | 8 | ns | | | | | | |
| | | | | -40°C to 125°C | 0.5 | 69 | 0.5 | 25 | 0.5 | 19 | 0.5 | 13 | 0.5 | 11 | 0.5 | 9 | | | | | | | |
| | | B | A | -40°C to 85°C | 0.5 | 30 | 0.5 | 17 | 0.5 | 14 | 0.5 | 12 | 0.5 | 11 | 0.5 | 10 | | | | | | | |
| | | | | -40°C to 125°C | 0.5 | 30 | 0.5 | 18 | 0.5 | 15 | 0.5 | 12 | 0.5 | 11 | 0.5 | 10 | | | | | | | |
| t_{dis} | Disable time | OE | A | -40°C to 85°C | 12.9 | 62 | 10.1 | 47 | 8.7 | 42 | 6.9 | 39 | 6.6 | 39 | 6.9 | 40 | ns | | | | | | |
| | | | | -40°C to 125°C | 12.9 | 65 | 10.1 | 51 | 8.7 | 46 | 6.9 | 40 | 6.6 | 40 | 6.9 | 40 | | | | | | | |
| | | OE | B | -40°C to 85°C | 22.7 | 109 | 15.7 | 71 | 13.2 | 59 | 8.5 | 42 | 7.6 | 40 | 4.7 | 36 | | | | | | | |
| | | | | -40°C to 125°C | 22.7 | 111 | 15.7 | 75 | 13.2 | 63 | 8.5 | 46 | 7.6 | 43 | 4.7 | 36 | | | | | | | |
| t_{en} | Enable time | OE | A | -40°C to 85°C | 6.6 | 85 | 4.2 | 45 | 3.0 | 37 | 2.4 | 31 | 2.2 | 30 | 1.7 | 30 | ns | | | | | | |
| | | | | -40°C to 125°C | 6.6 | 85 | 4.2 | 47 | 3.0 | 40 | 2.4 | 33 | 2.2 | 32 | 1.7 | 33 | | | | | | | |
| | | OE | B | -40°C to 85°C | 16.3 | 192 | 8.9 | 76 | 5.4 | 55 | 2.6 | 34 | 1.8 | 27 | 0.5 | 22 | | | | | | | |
| | | | | -40°C to 125°C | 16.3 | 192 | 8.9 | 78 | 5.4 | 57 | 2.6 | 36 | 1.8 | 29 | 0.5 | 24 | | | | | | | |

6.11 Switching Characteristics, $V_{CCA} = 5.0 \pm 0.5 \text{ V}$

See 图 7-1 and 表 7-1 for test circuit and loading. See 图 7-2, 图 7-3, and 图 7-4 for measurement waveforms.

| PARAMETER | | FROM | TO | Test Conditions | B-Port Supply Voltage (V_{CCB}) | | | | | | | | | | | | UNIT | | | | | | |
|-----------|-------------------|------|----|-----------------|-------------------------------------|-----|-----|-------------|-----|-----|--------------|-----|-----|-------------|-----|-----|------|-------------|-----|-----|-------------|-----|-----|
| | | | | | 1.2 ± 0.1 V | | | 1.5 ± 0.1 V | | | 1.8 ± 0.15 V | | | 2.5 ± 0.2 V | | | | 3.3 ± 0.3 V | | | 5.0 ± 0.5 V | | |
| | | | | | MIN | TYP | MAX | MIN | TYP | MAX | MIN | TYP | MAX | MIN | TYP | MAX | | MIN | TYP | MAX | MIN | TYP | MAX |
| t_{pd} | Propagation delay | A | B | -40°C to 85°C | 0.5 | 69 | | 0.5 | 24 | | 0.5 | 18 | | 0.5 | 13 | | 0.5 | 10 | | 0.5 | 8 | ns | |
| | | | | -40°C to 125°C | 0.5 | 69 | | 0.5 | 24 | | 0.5 | 19 | | 0.5 | 13 | | 0.5 | 11 | | 0.5 | 8 | | |
| | | B | A | -40°C to 85°C | 0.5 | 31 | | 0.5 | 15 | | 0.5 | 12 | | 0.5 | 9 | | 0.5 | 8 | | 0.5 | 8 | | |
| | | | | -40°C to 125°C | 0.5 | 31 | | 0.5 | 16 | | 0.5 | 13 | | 0.5 | 10 | | 0.5 | 9 | | 0.5 | 8 | | |
| t_{dis} | Disable time | OE | A | -40°C to 85°C | 10.8 | 60 | | 7.7 | 42 | | 5.9 | 38 | | 4.2 | 31 | | 3.4 | 31 | | 2.8 | 30 | ns | |
| | | | | -40°C to 125°C | 10.8 | 62 | | 7.7 | 46 | | 5.9 | 40 | | 4.2 | 33 | | 3.4 | 33 | | 2.8 | 32 | | |
| | | OE | B | -40°C to 85°C | 9.7 | 109 | | 5.9 | 69 | | 13.2 | 56 | | 8.4 | 40 | | 6.9 | 37 | | 3.7 | 30 | | |
| | | | | -40°C to 125°C | 9.7 | 111 | | 5.9 | 73 | | 13.2 | 60 | | 8.4 | 43 | | 6.9 | 39 | | 3.7 | 33 | | |
| t_{en} | Enable time | OE | A | -40°C to 85°C | 6.0 | 102 | | 2.8 | 44 | | 1.2 | 33 | | 0.5 | 25 | | 0.5 | 22 | | 0.5 | 21 | ns | |
| | | | | -40°C to 125°C | 6.0 | 102 | | 2.8 | 46 | | 1.2 | 36 | | 0.5 | 27 | | 0.5 | 24 | | 0.5 | 23 | | |
| | | OE | B | -40°C to 85°C | 16.7 | 212 | | 8.8 | 82 | | 4.8 | 58 | | 1.6 | 35 | | 0.5 | 26 | | 0.5 | 19 | | |
| | | | | -40°C to 125°C | 16.7 | 212 | | 8.8 | 83 | | 4.8 | 60 | | 1.6 | 37 | | 0.5 | 28 | | 0.5 | 21 | | |

6.12 Operating Characteristics

T_A = 25°C (1)

| PARAMETER | | Test Conditions | Supply Voltage (V _{CCB} = V _{CCA}) | | | | | | UNIT |
|----------------------|--------------------------|-------------------------------------------------------------------------------------------|-------------------------------------------------------|-------------|--------------|-------------|-------------|-------------|------|
| | | | 1.2 ± 0.1 V | 1.5 ± 0.1 V | 1.8 ± 0.15 V | 2.5 ± 0.2 V | 3.3 ± 0.3 V | 5.0 ± 0.5 V | |
| | | | TYP | TYP | TYP | TYP | TYP | TYP | |
| C _{pdA} (2) | A to B: outputs enabled | A Port CL = 0, RL = Open f = 10 MHz t _{rise} = t _{fall} = 1 ns | 2 | 2 | 2 | 2 | 2 | 3 | pF |
| | A to B: outputs disabled | | 2 | 2 | 2 | 2 | 2 | 3 | |
| | B to A: outputs enabled | | 12 | 12 | 12 | 13 | 13 | 16 | |
| | B to A: outputs disabled | | 2 | 2 | 2 | 2 | 2 | 3 | |
| C _{pdB} (3) | A to B: outputs enabled | B Port CL = 0, RL = Open f = 10 MHz t _{rise} = t _{fall} = 1 ns | 12 | 12 | 12 | 13 | 13 | 16 | pF |
| | A to B: outputs disabled | | 2 | 2 | 2 | 2 | 2 | 3 | |
| | B to A: outputs enabled | | 2 | 2 | 2 | 2 | 2 | 3 | |
| | B to A: outputs disabled | | 2 | 2 | 2 | 2 | 2 | 3 | |

- (1) See the [CMOS Power Consumption and C_{pd} Calculation](#) application report for additional information about how power dissipation capacitance affects power consumption.
- (2) A-Port power dissipation capacitance per transceiver.
- (3) B-Port power dissipation capacitance per transceiver.

6.13 Typical Characteristics

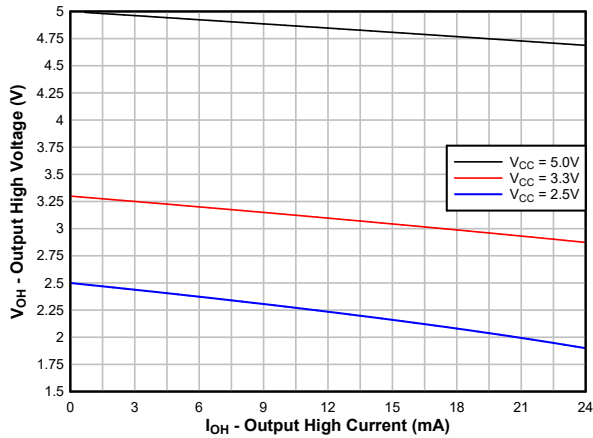


图 6-1. Typical ($T_A=25^\circ\text{C}$) Output High Voltage (V_{OH}) vs Source Current (I_{OH})

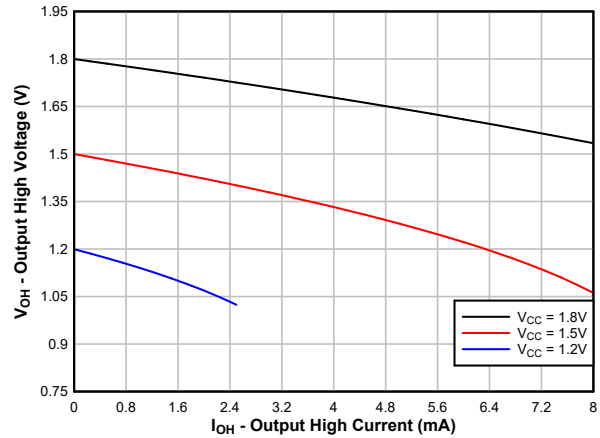


图 6-2. Typical ($T_A=25^\circ\text{C}$) Output High Voltage (V_{OH}) vs Source Current (I_{OH})

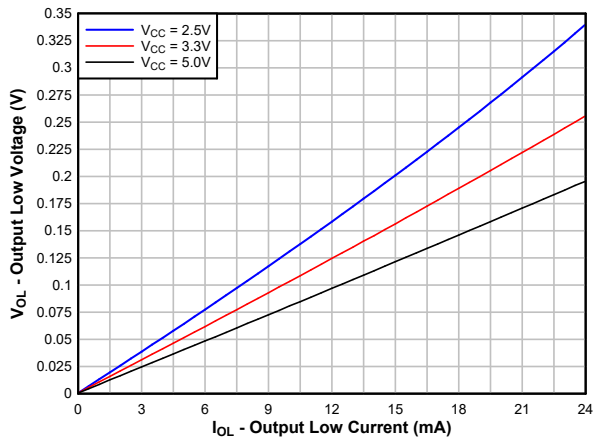


图 6-3. Typical ($T_A=25^\circ\text{C}$) Output Low Voltage (V_{OL}) vs Sink Current (I_{OL})

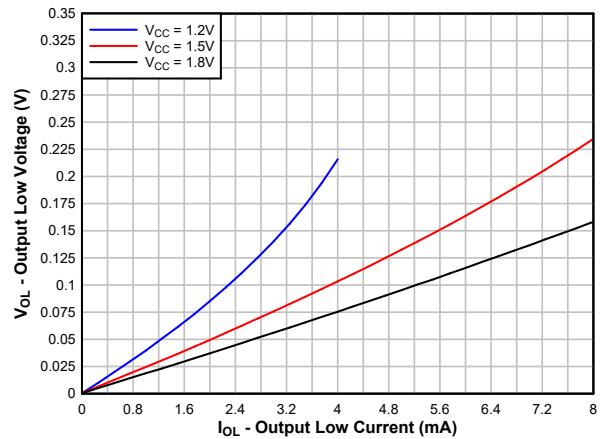


图 6-4. Typical ($T_A=25^\circ\text{C}$) Output Low Voltage (V_{OL}) vs Sink Current (I_{OL})

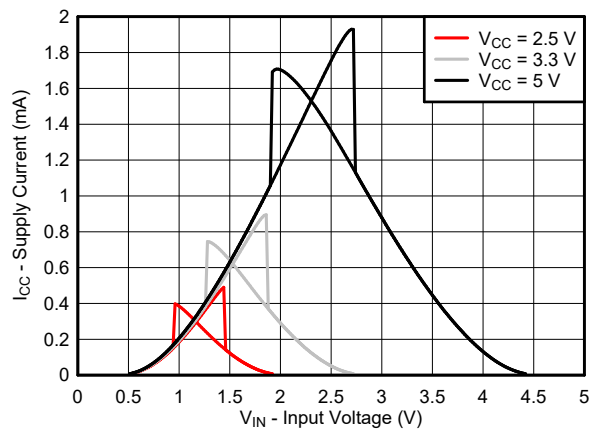


图 6-5. Typical ($T_A=25^\circ\text{C}$) Supply Current (I_{CC}) vs Input Voltage (V_{IN})

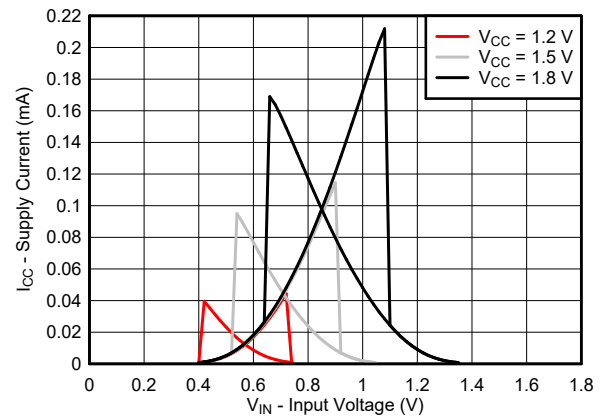


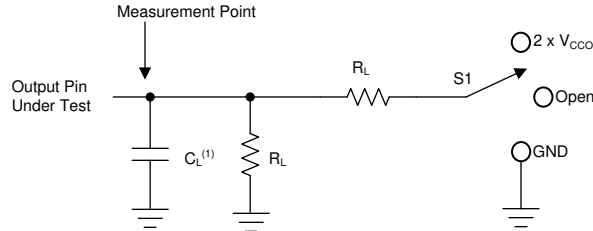
图 6-6. Typical ($T_A=25^\circ\text{C}$) Supply Current (I_{CC}) vs Input Voltage (V_{IN})

7 Parameter Measurement Information

7.1 Load Circuit and Voltage Waveforms

Unless otherwise noted, generators supply all input pulses that have the following characteristics:

- $f = 1 \text{ MHz}$
- $Z_O = 50 \ \Omega$
- $\Delta t / \Delta V \leq 1 \text{ ns/V}$

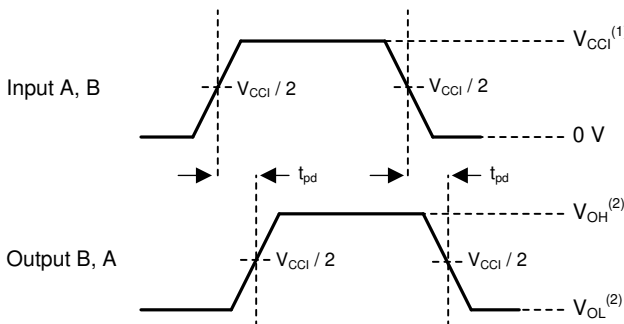


1. C_L includes probe and jig capacitance.

图 7-1. Load Circuit

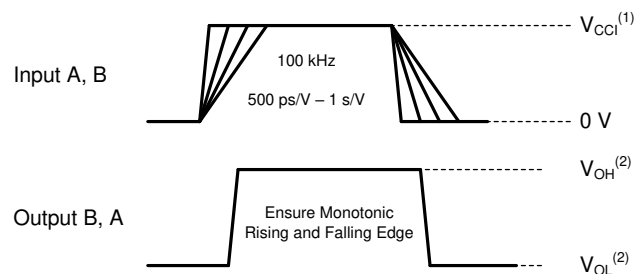
表 7-1. Load Circuit Conditions

| Parameter | V_{CCO} | R_L | C_L | S_1 | V_{TP} |
|---------------------------------------------|----------------|---------------|-------|--------------------|----------|
| t_{pd} Propagation (delay) time | 1.1 V - 5.5 V | 10 k Ω | 5 pF | Open | N/A |
| t_{en}, t_{dis} Enable time, disable time | 1.1 V - 1.6 V | 10 k Ω | 5 pF | $2 \times V_{CCO}$ | 0.1 V |
| | 1.65 V - 2.7 V | 10 k Ω | 5 pF | $2 \times V_{CCO}$ | 0.15 V |
| | 3.0 V - 5.5 V | 10 k Ω | 5 pF | $2 \times V_{CCO}$ | 0.3 V |
| t_{en}, t_{dis} Enable time, disable time | 1.1 V - 1.6 V | 10 k Ω | 5 pF | GND | 0.1 V |
| | 1.65 V - 2.7 V | 10 k Ω | 5 pF | GND | 0.15 V |
| | 3.0 V - 5.5 V | 10 k Ω | 5 pF | GND | 0.3 V |



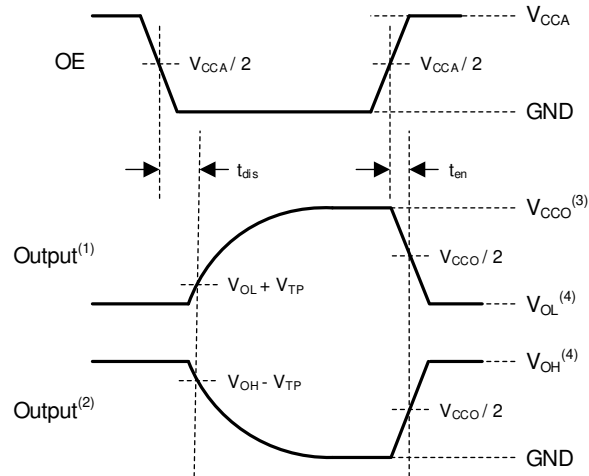
1. V_{CCI} is the supply pin associated with the input port.
2. V_{OH} and V_{OL} are typical output voltage levels that occur with specified R_L , C_L , and S_1

图 7-2. Propagation Delay



1. V_{CCI} is the supply pin associated with the input port.
2. V_{OH} and V_{OL} are typical output voltage levels that occur with specified R_L , C_L , and S_1

图 7-3. Input Transition Rise and Fall Rate



1. Output waveform on the condition that input is driven to a valid Logic Low.
2. Output waveform on the condition that input is driven to a valid Logic High.
3. V_{CC0} is the supply pin associated with the output port.
4. V_{OH} and V_{OL} are typical output voltage levels with specified R_L , C_L , and S_1 .

图 7-4. Enable Time And Disable Time

8 Detailed Description

8.1 Overview

The TXU0202-Q1 is a 4-bit translating transceiver that uses two individually configurable power-supply rails. The device is operational with V_{CCA} and V_{CCB} supplies as low as 1.1 V and as high as 5.5 V. Additionally, the device can be operated with $V_{CCA} = V_{CCB}$. The A port is designed to track V_{CCA} , and the B port is designed to track V_{CCB} .

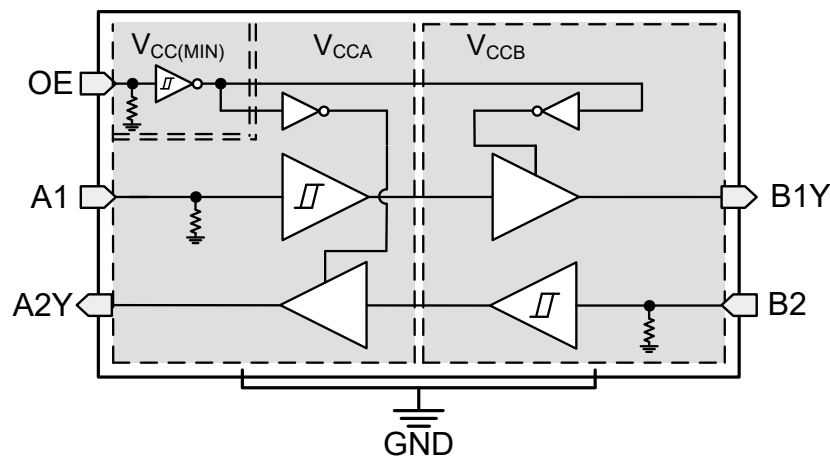
The TXU0202-Q1 device is designed for asynchronous communication between data buses, and transmits data with fixed direction from the A bus to the B bus on some channels and from the B bus to the A bus on the remaining channels. The output-enable input (OE) is used to disable the outputs so the buses are effectively isolated. The output-enable pin of the TXU0202-Q1 (OE) can be referenced to either V_{CCA} or V_{CCB} . The OE pin can be left floating or externally pulled down to ground to ensure the high-impedance state of the level shifter outputs during power up or power down.

This device is fully specified for partial-power-down applications using the I_{off} current. The I_{off} protection circuitry ensures that no excessive current is drawn from or sourced into an input or output while the device is powered down.

The VCC isolation or VCC disconnect feature ensures that if either VCC is less than 100 mV or disconnected with the complementary supply within recommended operating conditions, then the outputs disable and are set to the high-impedance state while the supply current is maintained. The $I_{off-float}$ circuitry ensures that no excessive current is drawn from or sourced into an input or output while the supply is floating.

Glitch-free power supply sequencing allows either supply rail to be powered on or off in any order while providing robust power sequencing performance.

8.2 Functional Block Diagram



8.3 Feature Description

8.3.1 CMOS Schmitt-Trigger Inputs with Integrated Pulldowns

Standard CMOS inputs are high impedance and are typically modeled as a resistor in parallel with the input capacitance given in the [Electrical Characteristics](#). The worst case resistance is calculated with the maximum input voltage, given in the [Absolute Maximum Ratings](#), and the maximum input leakage current, given in the [Electrical Characteristics](#), using ohm's law ($R = V \div I$).

The Schmitt-trigger input architecture provides hysteresis as defined by ΔV_T in the [Electrical Characteristics](#), which makes this device extremely tolerant to slow or noisy inputs. Driving the inputs slowly will increase dynamic current consumption of the device. See [Understanding Schmitt Triggers](#) for additional information regarding Schmitt-trigger inputs.

8.3.1.1 Inputs with Integrated Static Pull-Down Resistors

This device has 5 M Ω typical integrated weak pull-downs for each input. This feature allows all inputs to be left floating without the concern for unstable outputs or increased current consumption. This also helps to reduce external component count for applications where not all channels are used or need to be fixed low. If an external pull-up is required, it should be no larger than 1 M Ω to avoid contention with the 5 M Ω internal pull-down.

8.3.2 Control Logic (OE) with $V_{CC(MIN)}$ Circuitry

The output-enable input (OE) is used to disable the outputs so the buses are effectively isolated. The output-enable pin of the TXU0x04 has $V_{CC(MIN)}$ circuitry, which allows the OE pin to operate with the lower supply voltage. The [Over-Voltage Tolerant Inputs](#) feature allows the OE pin to operate with the higher supply voltage. This combination means that the enable pin can be referenced to either V_{CCA} or V_{CCB} supply. Multiple permutations of each device are possible since the controller can be placed on either the A or B port and can still control the enable pin.

8.3.3 Balanced High-Drive CMOS Push-Pull Outputs

A balanced output allows the device to sink and source similar currents. The high drive capability of this device creates fast edges into light loads, so routing and load conditions should be considered to prevent ringing. Additionally, the outputs of this device are capable of driving larger currents than the device can sustain without being damaged. The electrical and thermal limits that must be followed at all times are defined in [Absolute Maximum Ratings](#).

8.3.4 VCC Isolation and V_{CC} Disconnect

The outputs for this device disable and enter a high-impedance state when either supply is <100 mV or left floating (disconnected), with the complementary supply within the recommended operating conditions. It is recommended to keep the inputs low before floating (disconnecting) either supply.

The $I_{CCx(floating)}$ in the [Electrical Characteristics](#) specifies the maximum supply current. The $I_{off(float)}$ in the [Electrical Characteristics](#) specifies the maximum leakage into or out of any input or output pin on the device.

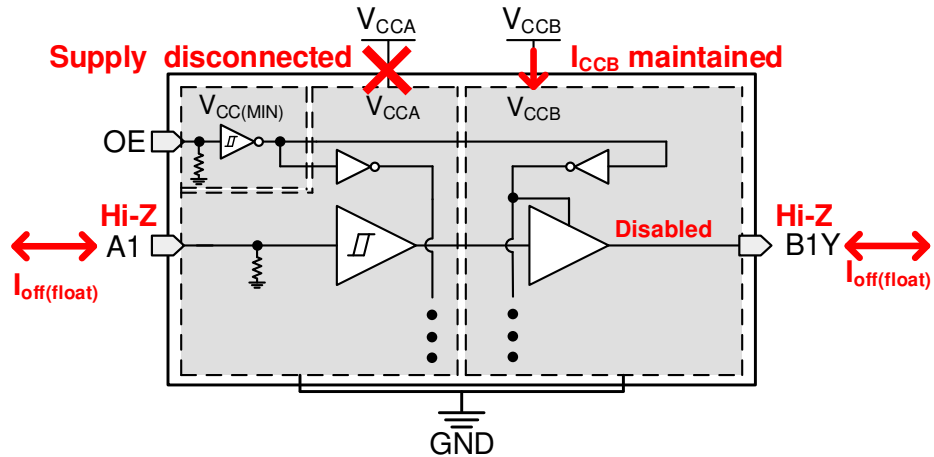


图 8-1. V_{CC} Disconnect Feature

8.3.5 Over-Voltage Tolerant Inputs

Input signals to this device can be driven above the supply voltage as long as they remain below the maximum input voltage value specified in the [Recommended Operating Conditions](#).

8.3.6 Glitch-Free Power Supply Sequencing

Either supply rail may be powered on or off in any order without producing a glitch on the inputs or outputs (that is, where the output erroneously transitions to V_{CC} when it should be held low or vice versa). Glitches of this nature can be misinterpreted by a peripheral as a valid data bit, which could trigger a false device reset of the peripheral, a false device configuration of the peripheral, or even a false data initialization by the peripheral.

8.3.7 Negative Clamping Diodes

图 8-2 shows the inputs and outputs to this device that have negative clamping diodes.

CAUTION

Voltages beyond the values specified in the [Absolute Maximum Ratings](#) table can cause damage to the device. The input negative-voltage and output voltage ratings may be exceeded if the input and output clamp-current ratings are observed.

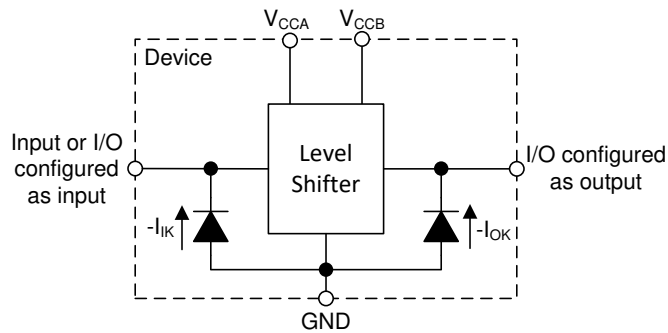


图 8-2. Electrical Placement of Clamping Diodes for Each Input and Output

8.3.8 Fully Configurable Dual-Rail Design

The V_{CCA} and V_{CCB} pins can be supplied at any voltage from 1.1 V to 5.5 V, making the device suitable for translating between any of the voltage nodes (1.2 V, 1.5 V, 1.8 V, 3.3 V, and 5.0 V).

8.3.9 Supports High-Speed Translation

The TXU0202-Q1 device can support high data-rate applications. The translated signal data rate can be up to 200 Mbps when the signal is translated from 3.3 V to 5.0 V.

8.4 Device Functional Modes

表 8-1. Function Table

| CONTROL INPUTS | Port Status | | OPERATION |
|----------------|-------------|--------|--------------------------------------------------|
| | Input | Output | |
| H | L | L | Unidirectional non-inverting voltage translation |
| H | H | H | Unidirectional non-inverting voltage translation |
| L | X | Hi-Z | Isolation |

9 Application and Implementation

备注

Information in the following applications sections is not part of the TI component specification, and TI does not warrant its accuracy or completeness. TI's customers are responsible for determining suitability of components for their purposes, as well as validating and testing their design implementation to confirm system functionality.

9.1 Application Information

The TXU0202-Q1 device can be used in level-translation applications for interfacing devices or systems operating at different interface voltages with one another. The TXU0202-Q1 device is ideal for use in applications where a push-pull driver is connected to the data inputs. The maximum data rate can be up to 200 Mbps when the device translates a signal from 3.3 V to 5.0 V.

9.2 Typical Application

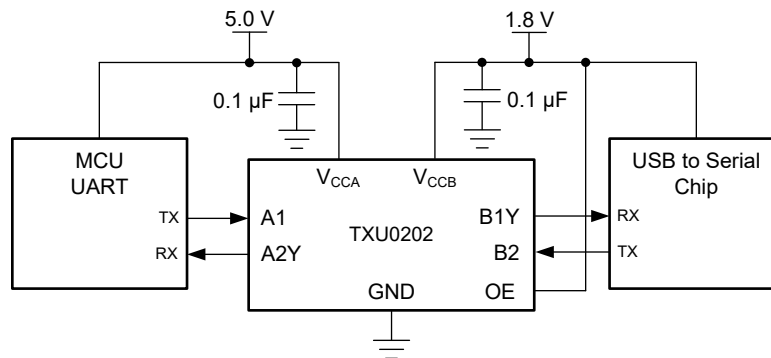


图 9-1. TXU0202-Q1 LED Driver Application

9.2.1 Design Requirements

Use the parameters listed in 表 9-1 for this design example.

表 9-1. Design Parameters

| DESIGN PARAMETERS | EXAMPLE VALUES |
|----------------------|----------------|
| Input voltage range | 1.1 V to 5.5 V |
| Output voltage range | 1.1 V to 5.5 V |

9.2.2 Detailed Design Procedure

To begin the design process, determine the following:

- Input voltage range
 - Use the supply voltage of the device that is driving the TXU0202-Q1 device to determine the input voltage range. For a valid logic-high, the value must exceed the positive-going input-threshold voltage (V_{T+}) of the input port. For a valid logic low the value must be less than the negative-going input-threshold voltage (V_{T-}) of the input port.
- Output voltage range
 - Use the supply voltage of the device that the TXU0202-Q1 device is driving to determine the output voltage range.

9.2.3 Application Curve

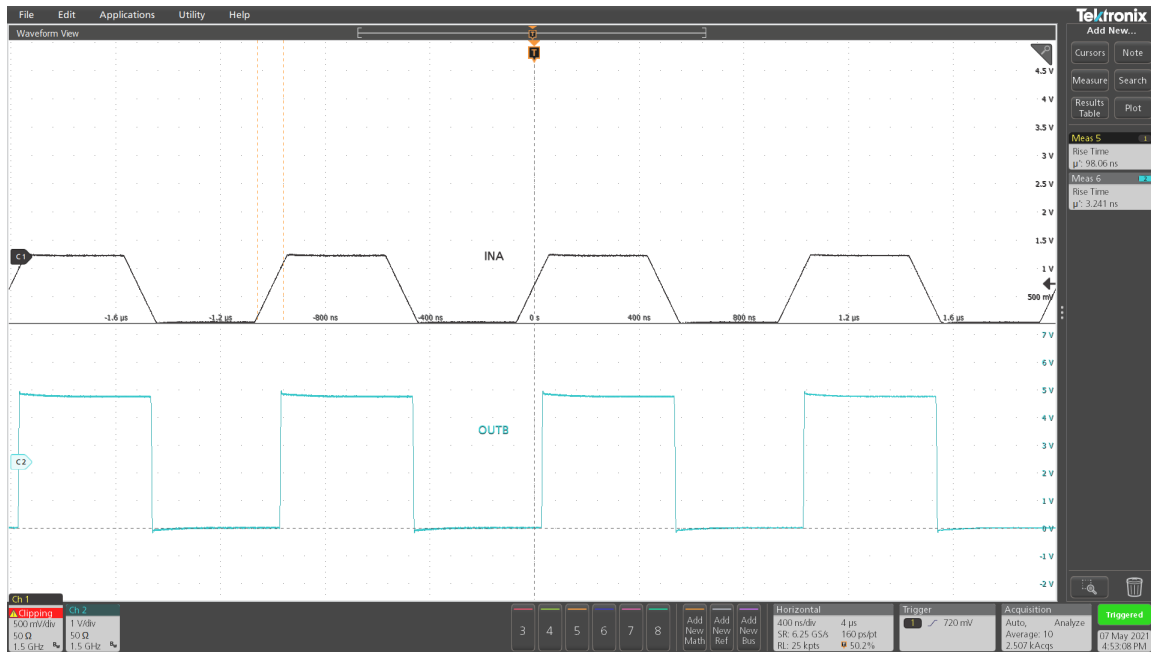


图 9-2. Up Translation at 1 MHz (1.2 V to 5 V)

10 Power Supply Recommendations

Always apply a ground reference to the GND pins first. This device is designed for glitch free power sequencing without any supply sequencing requirements such as ramp order or ramp rate.

[Glitch-Free Power Supply Sequencing](#) describes how this device was designed with various power supply sequencing methods in mind to help prevent unintended triggering of downstream devices.

11 Layout

11.1 Layout Guidelines

To ensure reliability of the device, following common printed-circuit board layout guidelines is recommended:

- Use bypass capacitors on the power supply pins and place them as close to the device as possible. A 0.1 μF capacitor is recommended, but transient performance can be improved by having 1 μF and 0.1 μF capacitors in parallel as bypass capacitors.
- The high drive capability of this device creates fast edges into light loads so routing and load conditions should be considered to prevent ringing.

11.2 Layout Example

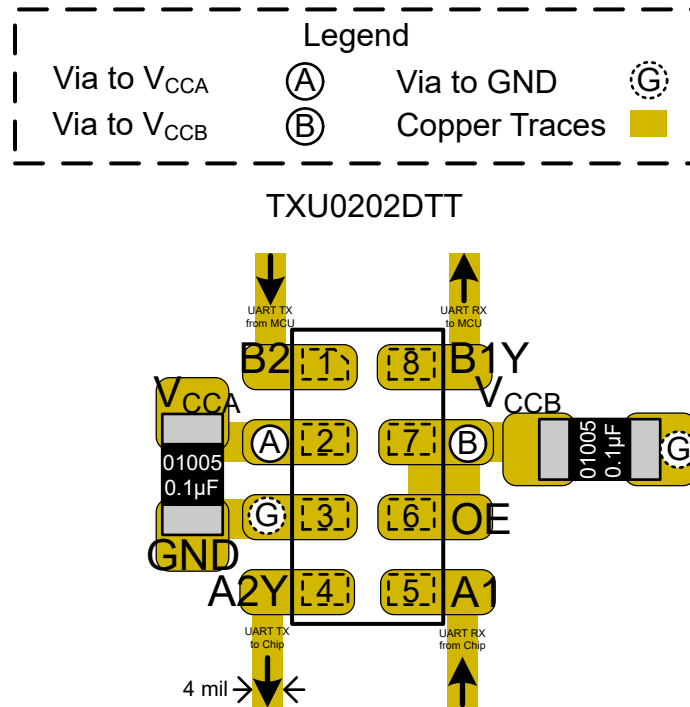


图 11-1. Layout Example - TXU0202-Q1

12 Device and Documentation Support

12.1 Device Support

12.1.1 Regulatory Requirements

No statutory or regulatory requirements apply to this device.

There are no special characteristics for this product.

12.2 Documentation Support

12.2.1 Related Documentation

- Texas Instruments, [Understanding Schmitt Triggers application report](#)
- Texas Instruments, [CMOS Power Consumption and \$C_{pd}\$ Calculation application report](#)

12.3 接收文档更新通知

要接收文档更新通知，请导航至 [ti.com](https://www.ti.com) 上的器件产品文件夹。点击 [订阅更新](#) 进行注册，即可每周接收产品信息更改摘要。有关更改的详细信息，请查看任何已修订文档中包含的修订历史记录。

12.4 支持资源

TI E2E™ 支持论坛是工程师的重要参考资料，可直接从专家获得快速、经过验证的解答和设计帮助。搜索现有解答或提出自己的问题可获得所需的快速设计帮助。

链接的内容由各个贡献者“按原样”提供。这些内容并不构成 TI 技术规范，并且不一定反映 TI 的观点；请参阅 TI 的《使用条款》。

12.5 Trademarks

TI E2E™ is a trademark of Texas Instruments.

所有商标均为其各自所有者的财产。

12.6 Electrostatic Discharge Caution



This integrated circuit can be damaged by ESD. Texas Instruments recommends that all integrated circuits be handled with appropriate precautions. Failure to observe proper handling and installation procedures can cause damage.

ESD damage can range from subtle performance degradation to complete device failure. Precision integrated circuits may be more susceptible to damage because very small parametric changes could cause the device not to meet its published specifications.

12.7 术语表

[TI 术语表](#) 本术语表列出并解释了术语、首字母缩略词和定义。

13 Mechanical, Packaging, and Orderable Information

The following pages include mechanical, packaging, and orderable information. This information is the most current data available for the designated devices. This data is subject to change without notice and revision of this document. For browser-based versions of this data sheet, refer to the left-hand navigation.

PACKAGING INFORMATION

| Orderable Device | Status (1) | Package Type | Package Drawing | Pins | Package Qty | Eco Plan (2) | Lead finish/ Ball material (6) | MSL Peak Temp (3) | Op Temp (°C) | Device Marking (4/5) | Samples |
|------------------|---------------|--------------|-----------------|------|-------------|-----------------|--------------------------------------|----------------------|--------------|-------------------------|---------|
| TXU0202QDCURQ1 | ACTIVE | VSSOP | DCU | 8 | 3000 | RoHS & Green | NIPDAU | Level-1-260C-UNLIM | -40 to 125 | | Samples |
| TXU0202QDTRRQ1 | ACTIVE | X1SON | DTT | 8 | 5000 | RoHS & Green | NIPDAUAG | Level-1-260C-UNLIM | -40 to 125 | 1LU | Samples |

(1) The marketing status values are defined as follows:

ACTIVE: Product device recommended for new designs.

LIFEBUY: TI has announced that the device will be discontinued, and a lifetime-buy period is in effect.

NRND: Not recommended for new designs. Device is in production to support existing customers, but TI does not recommend using this part in a new design.

PREVIEW: Device has been announced but is not in production. Samples may or may not be available.

OBSOLETE: TI has discontinued the production of the device.

(2) **RoHS:** TI defines "RoHS" to mean semiconductor products that are compliant with the current EU RoHS requirements for all 10 RoHS substances, including the requirement that RoHS substance do not exceed 0.1% by weight in homogeneous materials. Where designed to be soldered at high temperatures, "RoHS" products are suitable for use in specified lead-free processes. TI may reference these types of products as "Pb-Free".

RoHS Exempt: TI defines "RoHS Exempt" to mean products that contain lead but are compliant with EU RoHS pursuant to a specific EU RoHS exemption.

Green: TI defines "Green" to mean the content of Chlorine (Cl) and Bromine (Br) based flame retardants meet JS709B low halogen requirements of <=1000ppm threshold. Antimony trioxide based flame retardants must also meet the <=1000ppm threshold requirement.

(3) MSL, Peak Temp. - The Moisture Sensitivity Level rating according to the JEDEC industry standard classifications, and peak solder temperature.

(4) There may be additional marking, which relates to the logo, the lot trace code information, or the environmental category on the device.

(5) Multiple Device Markings will be inside parentheses. Only one Device Marking contained in parentheses and separated by a "~" will appear on a device. If a line is indented then it is a continuation of the previous line and the two combined represent the entire Device Marking for that device.

(6) Lead finish/Ball material - Orderable Devices may have multiple material finish options. Finish options are separated by a vertical ruled line. Lead finish/Ball material values may wrap to two lines if the finish value exceeds the maximum column width.

Important Information and Disclaimer:The information provided on this page represents TI's knowledge and belief as of the date that it is provided. TI bases its knowledge and belief on information provided by third parties, and makes no representation or warranty as to the accuracy of such information. Efforts are underway to better integrate information from third parties. TI has taken and continues to take reasonable steps to provide representative and accurate information but may not have conducted destructive testing or chemical analysis on incoming materials and chemicals. TI and TI suppliers consider certain information to be proprietary, and thus CAS numbers and other limited information may not be available for release.

In no event shall TI's liability arising out of such information exceed the total purchase price of the TI part(s) at issue in this document sold by TI to Customer on an annual basis.

OTHER QUALIFIED VERSIONS OF TXU0202-Q1 :

- Catalog : [TXU0202](#)

NOTE: Qualified Version Definitions:

- Catalog - TI's standard catalog product



4225266/A 09/2014

NOTES:

1. All linear dimensions are in millimeters. Any dimensions in parenthesis are for reference only. Dimensioning and tolerancing per ASME Y14.5M.
2. This drawing is subject to change without notice.
3. This dimension does not include mold flash, protrusions, or gate burrs. Mold flash, protrusions, or gate burrs shall not exceed 0.15 mm per side.
4. Reference JEDEC registration MO-187 variation CA.

EXAMPLE BOARD LAYOUT

DCU0008A

VSSOP - 0.9 mm max height

SMALL OUTLINE PACKAGE



LAND PATTERN EXAMPLE
EXPOSED METAL SHOWN
SCALE: 25X



4225266/A 09/2014

NOTES: (continued)

- 5. Publication IPC-7351 may have alternate designs.
- 6. Solder mask tolerances between and around signal pads can vary based on board fabrication site.

EXAMPLE STENCIL DESIGN

DCU0008A

VSSOP - 0.9 mm max height

SMALL OUTLINE PACKAGE



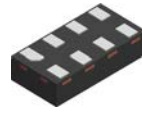
SOLDER PASTE EXAMPLE
BASED ON 0.125 mm THICK STENCIL
SCALE: 25X

4225266/A 09/2014

NOTES: (continued)

7. Laser cutting apertures with trapezoidal walls and rounded corners may offer better paste release. IPC-7525 may have alternate design recommendations.
8. Board assembly site may have different recommendations for stencil design.

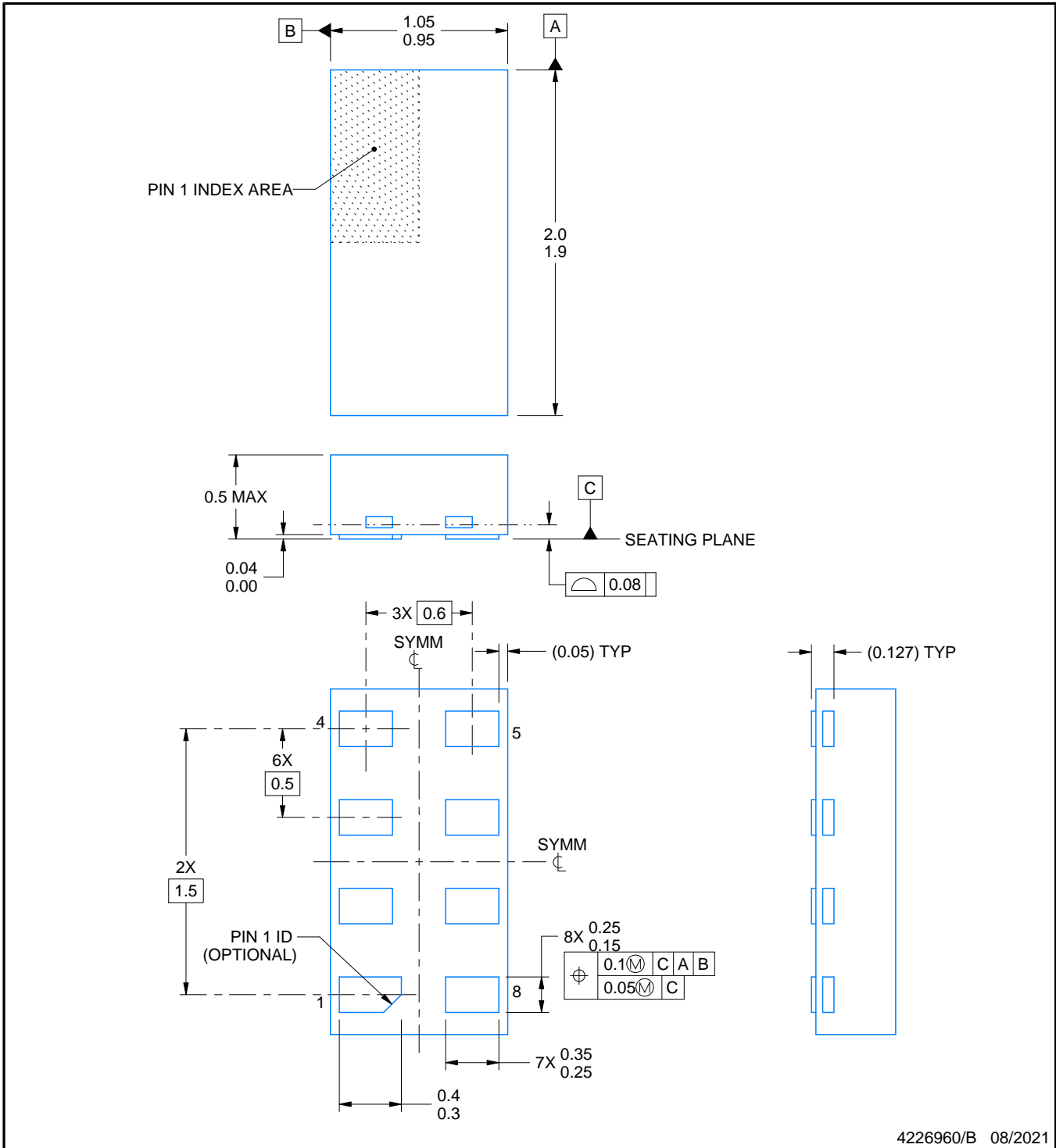
DTT0008A



PACKAGE OUTLINE

X1SON - 0.5 mm max height

PLASTIC SMALL OUTLINE - NO LEAD



4226960/B 08/2021

NOTES:

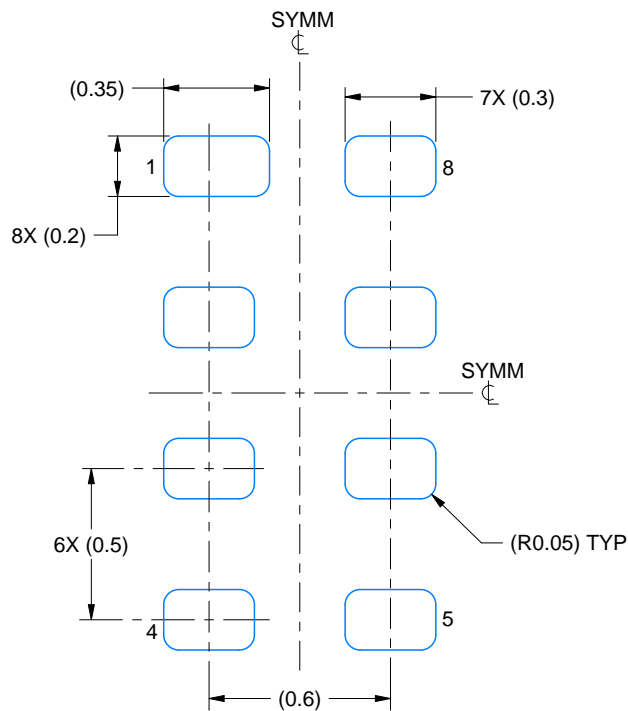
- 1. All linear dimensions are in millimeters. Any dimensions in parenthesis are for reference only. Dimensioning and tolerancing per ASME Y14.5M.
- 2. This drawing is subject to change without notice.

EXAMPLE BOARD LAYOUT

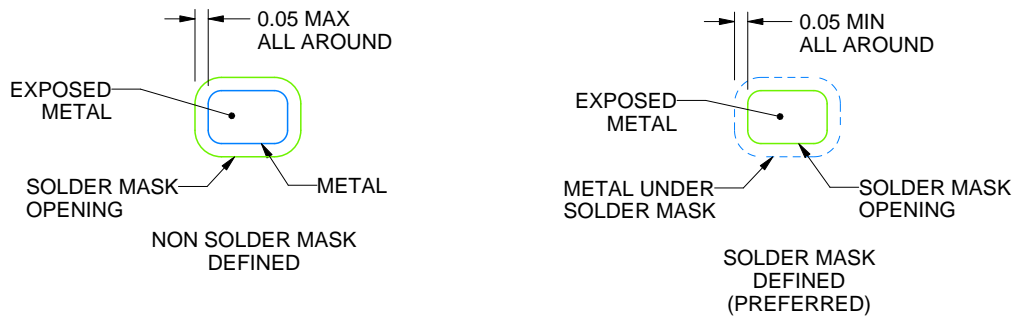
DTT0008A

X1SON - 0.5 mm max height

PLASTIC SMALL OUTLINE - NO LEAD



LAND PATTERN EXAMPLE
 1:1 RATIO WITH PKG SOLDER PADS
 EXPOSED METAL SHOWN
 SCALE:40X



SOLDER MASK DETAILS

4226960/B 08/2021

NOTES: (continued)

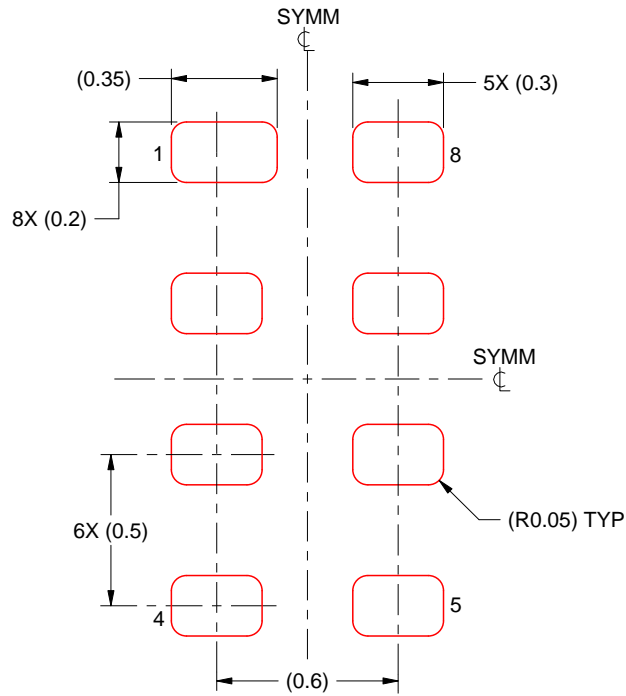
3. For more information, see QFN/SON PCB application report in literature No. SLUA271 (www.ti.com/lit/sluea271).

EXAMPLE STENCIL DESIGN

DTT0008A

X1SON - 0.5 mm max height

PLASTIC SMALL OUTLINE - NO LEAD



SOLDER PASTE EXAMPLE
BASED ON 0.075 - 0.1 mm THICK STENCIL
SCALE:40X

4226960/B 08/2021

NOTES: (continued)

4. Laser cutting apertures with trapezoidal walls and rounded corners may offer better paste release. IPC-7525 may have alternate design recommendations.

重要声明和免责声明

TI“按原样”提供技术和可靠性数据（包括数据表）、设计资源（包括参考设计）、应用或其他设计建议、网络工具、安全信息和其他资源，不保证没有瑕疵且不做任何明示或暗示的担保，包括但不限于对适销性、某特定用途方面的适用性或不侵犯任何第三方知识产权的暗示担保。

这些资源可供使用 TI 产品进行设计的熟练开发人员使用。您将自行承担以下全部责任：(1) 针对您的应用选择合适的 TI 产品，(2) 设计、验证并测试您的应用，(3) 确保您的应用满足相应标准以及任何其他功能安全、信息安全、监管或其他要求。

这些资源如有变更，恕不另行通知。TI 授权您仅可将这些资源用于研发本资源所述的 TI 产品的应用。严禁对这些资源进行其他复制或展示。您无权使用任何其他 TI 知识产权或任何第三方知识产权。您应全额赔偿因在这些资源的使用中对 TI 及其代表造成的任何索赔、损害、成本、损失和债务，TI 对此概不负责。

TI 提供的产品受 [TI 的销售条款](#) 或 [ti.com](#) 上其他适用条款/TI 产品随附的其他适用条款的约束。TI 提供这些资源并不会扩展或以其他方式更改 TI 针对 TI 产品发布的适用的担保或担保免责声明。

TI 反对并拒绝您可能提出的任何其他或不同的条款。

邮寄地址：Texas Instruments, Post Office Box 655303, Dallas, Texas 75265

Copyright © 2023，德州仪器 (TI) 公司