

# ULQ200xA-Q1 高电压大电流达林顿晶体管阵列

## 1 特性

- 符合汽车应用要求
- ESD 保护超过 200V (使用机器放电模型, C = 200pF, R = 0)
- 500mA 额定集电极电流 (单路输出)
- 高电压输出: 50V
- 输出钳位二极管
- 可兼容各类逻辑的输入
- 继电器驱动器应用

## 2 应用

- 继电器驱动器
- 步进电机驱动器和有刷直流电机驱动器
- 灯驱动器
- 显示屏驱动器 (LED 和气体放电元件)
- 线路驱动器
- 逻辑缓冲器

## 3 说明

ULQ200xA-Q1 器件为高电压大电流达林顿晶体管阵列, 均由 7 个 NPN 达林顿对组成, 这些达林顿对具有高压输出, 带有用于开关感性负载的共阴极钳位二极管。单个达林顿对的集电极电流额定值为 500mA。将达林顿对并联可以实现更大的电流。

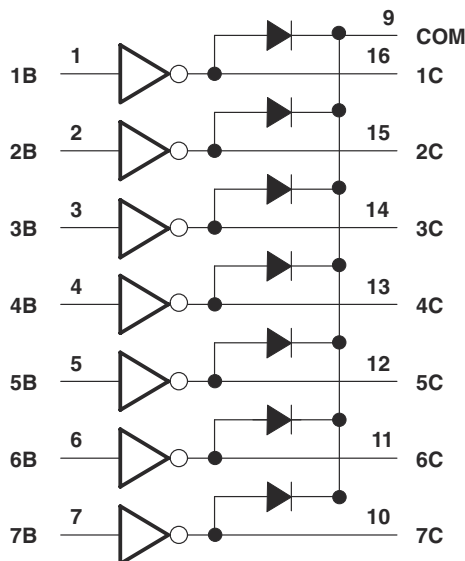
ULQ2003A-Q1 的每个达林顿对都具有一个 2.7kΩ 的串联基极电阻, 可直接与 TTL 或 5V CMOS 器件一起运行。ULQ2004A-Q1 具有一个 10.5kΩ 串联基极电阻, 可直接从使用 6V 至 15V 电源电压的 CMOS 器件上运行。ULQ2004A-Q1 所需的输入电流低于 ULQ2003A-Q1 的输入电流。

### 封装信息

| 器件型号        | 封装 <sup>(1)</sup> | 封装尺寸 <sup>(2)</sup> |
|-------------|-------------------|---------------------|
| ULQ2003A-Q1 | SOIC (16)         | 9.90mm × 3.90mm     |
|             | TSSOP (16)        | 5.00mm × 4.40mm     |
|             | SOT (16)          | 4.20mm × 2.00mm     |
| ULQ2004A-Q1 | SOIC (16)         | 9.90mm × 3.90mm     |

(1) 如需了解所有可用封装, 请参阅数据表末尾的可订购产品附录。

(2) 封装尺寸 (长 × 宽) 为标称值, 并包括引脚 (如适用)。



简化版方框图



## Table of Contents

|   |    |  |    |
|---|----|--|----|
| <b>1 特性</b> .....   | 1  | 7.2 Functional Block Diagram.....                                    | 11 |
| <b>2 应用</b> .....   | 1  | 7.3 Feature Description.....   | 12 |
| <b>3 说明</b> .....   | 1  | 7.4 Device Functional Modes.....                                     | 12 |
| <b>4 Pin Configuration and Functions</b> .....                  | 2  | <b>8 Application and Implementation</b> .....                        | 13 |
| <b>5 Specifications</b> .....                                   | 4  | 8.1 Application Information.....                                     | 13 |
| 5.1 Absolute Maximum Ratings.....                               | 4  | 8.2 Typical Application.....   | 13 |
| 5.2 ESD Ratings.....  | 4  | 8.3 System Examples.....   | 16 |
| 5.3 Recommended Operating Conditions.....                       | 4  | 8.4 Power Supply Recommendations.....                                | 16 |
| 5.4 Thermal Information.....                                    | 4  | 8.5 Layout.....  | 16 |
| 5.5 Electrical Characteristics, ULQ2003AT and<br>ULQ2003AQ..... | 5  | <b>9 Device and Documentation Support</b> .....                      | 18 |
| 5.6 Electrical Characteristics, ULQ2004AT.....                  | 5  | 9.1 Related Links.....   | 18 |
| 5.7 Switching Characteristics, ULQ2003A and<br>ULQ2004A.....    | 6  | 9.2 支持资源.....  | 18 |
| 5.8 Dissipation Ratings.....                                    | 6  | 9.3 Trademarks.....  | 18 |
| 5.9 Typical Characteristics.....                                | 6  | 9.4 静电放电警告.....  | 18 |
| <b>6 Parameter Measurement Information</b> .....                | 7  | 9.5 术语表.....   | 18 |
| <b>7 Detailed Description</b> .....                             | 11 | <b>10 Revision History</b> .....                                     | 18 |
| 7.1 Overview.....   | 11 | <b>11 Mechanical, Packaging, and Orderable<br/>Information</b> ..... | 18 |

## 4 Pin Configuration and Functions

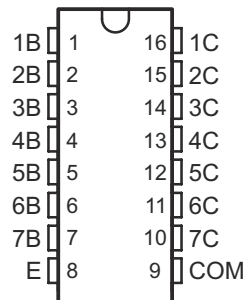


图 4-1. D or PW Package, 16-Pin SOIC or TSSOP (Top View)

表 4-1. Pin Functions

| PIN |      | I/O | DESCRIPTION  |
|-----|------|-----|--|
| NO. | NAME |     |  |
| 1   | 1B   | I   | Channel 1 through 7 Darlington base input.                             |
| 2   | 2B   |     |  |
| 3   | 3B   |     |  |
| 4   | 4B   |     |  |
| 5   | 5B   |     |  |
| 6   | 6B   |     |  |
| 7   | 7B   |     |  |
| 8   | E    | —   | Common emitter shared by all channels (typically tied to ground).      |
| 9   | COM  | —   | Common cathode node for flyback diodes (required for inductive loads). |

表 4-1. Pin Functions (续)

| PIN |      | I/O | DESCRIPTION                                      |
|-----|------|-----|--|
| NO. | NAME |     |  |
| 10  | 7C   | O   | Channel 1 through 7 Darlington collector output. |
| 11  | 6C   |     |  |
| 12  | 5C   |     |  |
| 13  | 4C   |     |  |
| 14  | 3C   |     |  |
| 15  | 2C   |     |  |
| 16  | 1C   |     |  |

## 5 Specifications

### 5.1 Absolute Maximum Ratings

at 25°C free-air temperature (unless otherwise noted)<sup>(1)</sup>

|                  |  | MIN       | MAX       | UNIT |    |
|------------------|--|-----------|-----------|------|----|
| V <sub>CE</sub>  | Collector-emitter voltage                  |           | 50        | V    |    |
|                  | Clamp diode reverse voltage <sup>(2)</sup> |           | 50        | V    |    |
| V <sub>I</sub>   | Input voltage <sup>(2)</sup>               |           | 30        | V    |    |
|                  | Peak collector current                     | See 图 8-2 | 500       | mA   |    |
| I <sub>OK</sub>  | Output clamp current                       |           | 500       | mA   |    |
|                  | Total emitter-terminal current             |           | - 2.5     | A    |    |
| P <sub>D</sub>   | Continuous total power dissipation         |           | See # 5.8 |      |    |
| T <sub>A</sub>   | Operating free-air temperature             | ULQ200xAT | - 40      | 105  | °C |
|                  |  | ULQ200xAQ | - 40      | 125  |    |
| T <sub>J</sub>   | Junction temperature                       |           | 150       | °C   |    |
| T <sub>stg</sub> | Storage temperature                        | - 65      | 150       | °C   |    |

- (1) Stresses beyond those listed under Absolute Maximum Ratings may cause permanent damage to the device. These are stress ratings only, and functional operation of the device at these or any other conditions beyond those indicated under # 5.3 is not implied. Exposure to absolute-maximum-rated conditions for extended periods may affect device reliability.
- (2) All voltage values are with respect to the emitter/substrate terminal E, unless otherwise noted.

### 5.2 ESD Ratings

|                    |                         | VALUE   | UNIT  |   |
|--------------------|-------------------------|---|-------|---|
| V <sub>(ESD)</sub> | Electrostatic discharge | Human-body model (HBM), per AEC Q100-002 <sup>(1)</sup> | ±2000 | V |
|                    |                         | Charged-device model (CDM), per AEC Q100-011            | ±500  |   |

- (1) AEC Q100-002 indicates HBM stressing is done in accordance with the ANSI/ESDA/JEDEC JS-001 specification.

### 5.3 Recommended Operating Conditions

over operating free-air temperature range (unless otherwise noted)

|                 |                           | MIN  | MAX | UNIT |
|-----------------|---------------------------|------|-----|------|
| V <sub>CE</sub> | Collector-emitter voltage | 0    | 50  | V    |
| T <sub>J</sub>  | Junction temperature      | - 40 | 125 | °C   |

### 5.4 Thermal Information

| THERMAL METRIC <sup>(1)</sup> |  | ULQ2003A-Q1, ULQ2004A-Q1 |            |           | UNIT |
|-------------------------------|--|--------------------------|------------|-----------|------|
|                               |  | D (SOIC)                 | PW (TSSOP) | DYY (SOT) |      |
|                               |  | 16 PINS                  | 16 PINS    | 16 PINS   |      |
| R <sub>θJA</sub>              | Junction-to-ambient thermal resistance       | 87.9                     | 112.9      | 119.4     | °C/W |
| R <sub>θJC(top)</sub>         | Junction-to-case (top) thermal resistance    | 49.4                     | 49.2       | 56.9      | °C/W |
| R <sub>θJB</sub>              | Junction-to-board thermal resistance         | 49.1                     | 58.1       | 52.3      | °C/W |
| ψ <sub>JT</sub>               | Junction-to-top characterization parameter   | 11.9                     | 9.1        | 2.8       | °C/W |
| ψ <sub>JB</sub>               | Junction-to-board characterization parameter | 48.6                     | 57.6       | 51.9      | °C/W |

- (1) For more information about traditional and new thermal metrics, see the *Semiconductor and IC Package Thermal Metrics* application report, [SPRA953](#).

## 5.5 Electrical Characteristics, ULQ2003AT and ULQ2003AQ

over recommended operating conditions (unless otherwise noted)

| PARAMETER     |                                      | TEST CONDITIONS   |                                       | MIN | TYP  | MAX  | UNIT          |
|---------------|--------------------------------------|---|---------------------------------------|-----|------|------|---------------|
| $V_{I(on)}$   | On-state input voltage               | $V_{CE} = 2\text{ V}$ , see 图 6-8                                   | $I_C = 200\text{ mA}$                 |     |      | 2.7  | V             |
|               |                                      |   | $I_C = 250\text{ mA}$                 |     |      | 2.9  |               |
|               |                                      |   | $I_C = 300\text{ mA}$                 |     |      | 3    |               |
| $V_{CE(sat)}$ | Collector-emitter saturation voltage | $I_I = 250\text{ }\mu\text{A}, I_C = 100\text{ mA}$ , see 图 6-7     | ULQ2003AT                             |     | 0.9  | 1.2  | V             |
|               |                                      |   | ULQ2003AQ                             |     | 1    | 1.3  |               |
|               |                                      | $I_I = 350\text{ }\mu\text{A}, I_C = 200\text{ mA}$ , see 图 6-7     | ULQ2003AT                             |     | 1    | 1.4  |               |
|               |                                      |   | ULQ2003AQ                             |     | 1    | 1.5  |               |
|               |                                      | $I_I = 500\text{ }\mu\text{A}, I_C = 350\text{ mA}$ , see 图 6-7     | ULQ2003AT                             |     | 1.2  | 1.7  |               |
|               |                                      |   | ULQ2003AQ                             |     | 1.2  | 1.8  |               |
| $I_{CEX}$     | Collector cutoff current             | $V_{CE} = 50\text{ V}$ ,<br>$I_I = 0$ , see 图 6-1                   | $T_A = 25^\circ\text{C}$              |     |      | 100  | $\mu\text{A}$ |
|               |                                      |   | $T_A = 105^\circ\text{C}$ , ULQ2003AT |     |      | 165  |               |
| $V_F$         | Clamp forward voltage                | $I_F = 350\text{ mA}$ , see 图 6-6                                   |                                       |     | 1.7  | 2.2  | V             |
| $I_{I(off)}$  | Off-state input current              | $V_{CE} = 50\text{ V}$ , $I_C = 500\text{ }\mu\text{A}$ , see 图 6-3 |                                       | 30  | 65   |      | $\mu\text{A}$ |
| $I_I$         | Input current                        | $V_I = 3.85\text{ V}$ , see 图 6-4                                   |                                       |     | 0.93 | 1.35 | mA            |
| $I_R$         | Clamp reverse current                | $V_R = 50\text{ V}$ , $T_A = 25^\circ\text{C}$ , see 图 6-5          |                                       |     |      | 100  | $\mu\text{A}$ |
| $C_i$         | Input capacitance                    | $V_I = 0$ , $f = 1\text{ MHz}$                                      |                                       |     | 15   | 25   | pF            |

## 5.6 Electrical Characteristics, ULQ2004AT

over recommended operating conditions (unless otherwise noted)

| PARAMETER     |                                      | TEST CONDITIONS   |   | MIN | TYP  | MAX  | UNIT          |
|---------------|--------------------------------------|---|---|-----|------|------|---------------|
| $V_{I(on)}$   | On-state input voltage               | $V_{CE} = 2\text{ V}$ , see 图 6-8                                   | $I_C = 125\text{ mA}$   |     |      | 5    | V             |
|               |                                      |   | $I_C = 200\text{ mA}$   |     |      | 6    |               |
|               |                                      |   | $I_C = 275\text{ mA}$   |     |      | 7    |               |
|               |                                      |   | $I_C = 350\text{ mA}$   |     |      | 8    |               |
| $V_{CE(sat)}$ | Collector-emitter saturation voltage |   | $I_I = 250\text{ }\mu\text{A}, I_C = 100\text{ mA}$ , see 图 6-7 |     | 0.9  | 1.1  | V             |
|               |                                      |   | $I_I = 350\text{ }\mu\text{A}, I_C = 200\text{ mA}$ , see 图 6-7 |     | 1    | 1.3  |               |
|               |                                      |   | $I_I = 500\text{ }\mu\text{A}, I_C = 350\text{ mA}$ , see 图 6-7 |     | 1.2  | 1.6  |               |
| $I_{CEX}$     | Collector cutoff current             | $V_{CE} = 50\text{ V}$ ,<br>$I_I = 0$ , see 图 6-1                   | $T_A = 25^\circ\text{C}$  |     |      | 50   | $\mu\text{A}$ |
|               |                                      |   | $T_A = 105^\circ\text{C}$                                       |     |      |      |               |
|               |                                      | $V_{CE} = 50\text{ V}$ , see 图 6-2                                  | $I_I = 0$   |     |      | 100  |               |
|               |                                      |   | $V_I = 1\text{ V}$  |     |      | 500  |               |
| $V_F$         | Clamp forward voltage                | $I_F = 350\text{ mA}$ , see 图 6-6                                   |   |     | 1.7  | 2.1  | V             |
| $I_{I(off)}$  | Off-state input current              | $V_{CE} = 50\text{ V}$ , $I_C = 500\text{ }\mu\text{A}$ , see 图 6-3 |   | 50  | 65   |      | $\mu\text{A}$ |
| $I_I$         | Input current                        | $V_I = 5\text{ V}$ , see 图 6-4                                      |   |     | 0.35 | 0.5  | mA            |
|               |                                      | $V_I = 12\text{ V}$ , see 图 6-4                                     |   |     | 1    | 1.45 |               |
| $I_R$         | Clamp reverse current                | $V_R = 50\text{ V}$ , see 图 6-5                                     | $T_A = 25^\circ\text{C}$  |     |      | 50   | $\mu\text{A}$ |
|               |                                      |   | $T_A = 105^\circ\text{C}$                                       |     |      | 100  |               |
| $C_i$         | Input capacitance                    | $V_I = 0$ , $f = 1\text{ MHz}$                                      |   |     | 15   | 25   | pF            |

### 5.7 Switching Characteristics, ULQ2003A and ULQ2004A

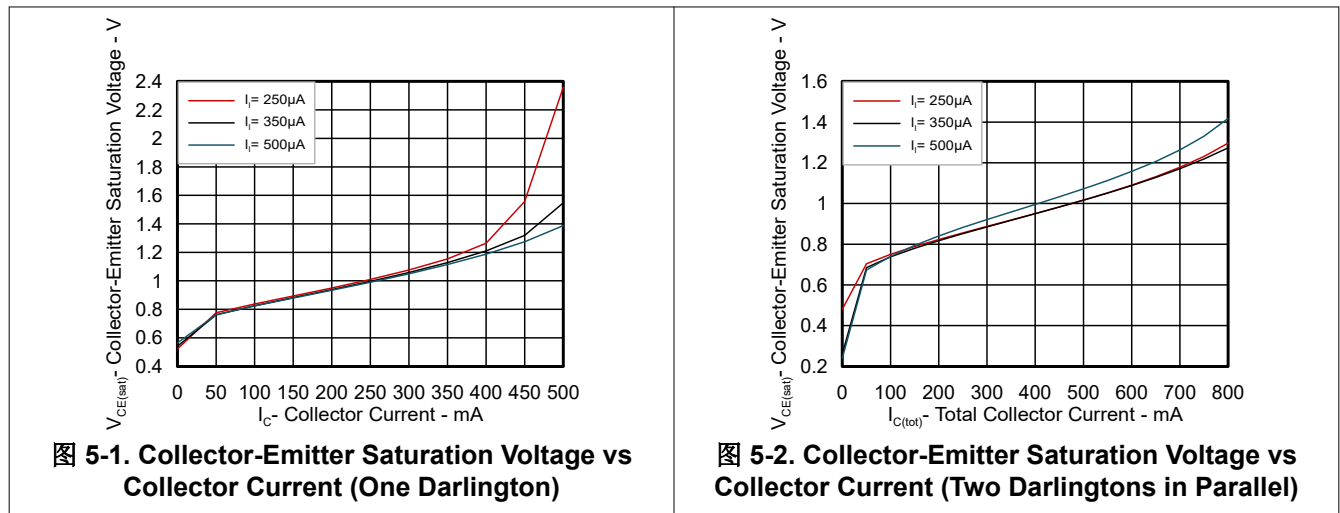
over recommended operating conditions (unless otherwise noted)

| PARAMETER |   | TEST CONDITIONS                         | MIN         | TYP | MAX | UNIT    |
|-----------|---|---|-------------|-----|-----|---------|
| $t_{PLH}$ | Propagation delay time, low- to high-level output | See 图 6-9                               |             | 1   | 10  | $\mu s$ |
| $t_{PHL}$ | Propagation delay time, high- to low-level output | See 图 6-9                               |             | 1   | 10  | $\mu s$ |
| $V_{OH}$  | High-level output voltage after switching         | $V_S = 50 V, I_O = 300 mA$ , see 图 6-10 | $V_S - 500$ |     |     | mV      |

### 5.8 Dissipation Ratings

| PACKAGE | $T_A = 25^\circ C$<br>POWER RATING | DERATING FACTOR ABOVE $T_A = 25^\circ C$ | $T_A = 85^\circ C$<br>POWER RATING | $T_A = 105^\circ C$<br>POWER RATING | $T_A = 125^\circ C$<br>POWER RATING |
|---------|------------------------------------|--|------------------------------------|-------------------------------------|-------------------------------------|
| D       | 950 mW                             | 7.6 mW/ $^\circ C$                       | 494 mW                             | 342 mW                              | 190 mW                              |

### 5.9 Typical Characteristics



## 6 Parameter Measurement Information

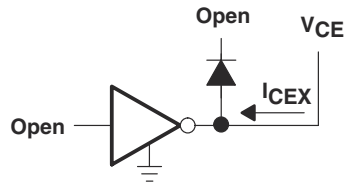


图 6-1.  $I_{CEX}$  Test Circuit

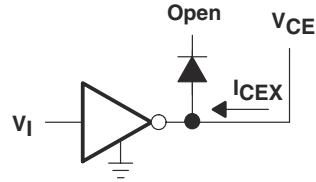


图 6-2.  $I_{CEX}$  Test Circuit

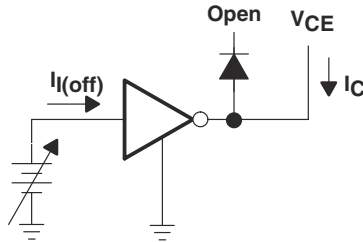


图 6-3.  $I_{I(off)}$  Test Circuit

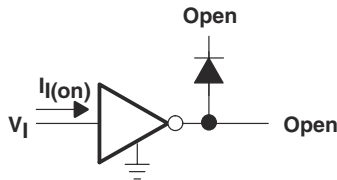


图 6-4.  $I_I$  Test Circuit

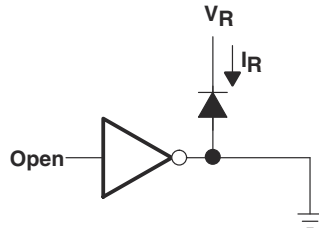


图 6-5.  $I_R$  Test Circuit

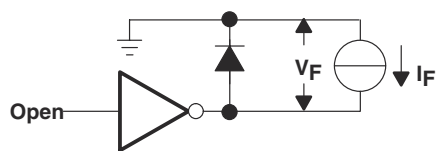
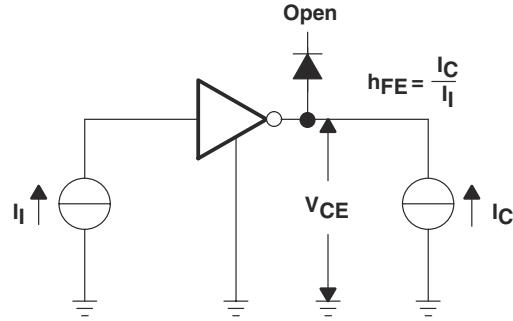


图 6-6.  $V_F$  Test Circuit





A.  $I_i$  is fixed for measuring  $V_{CE(sat)}$ , variable for measuring  $h_{FE}$ .

图 6-7.  $h_{FE}$ ,  $V_{CE(sat)}$  Test Circuit

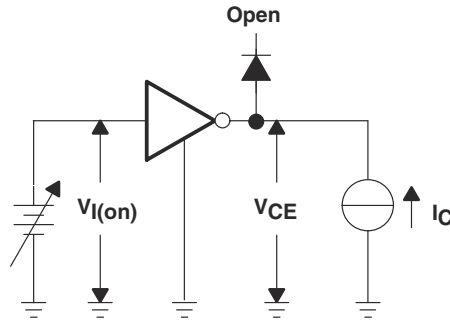


图 6-8.  $V_{I(on)}$  Test Circuit

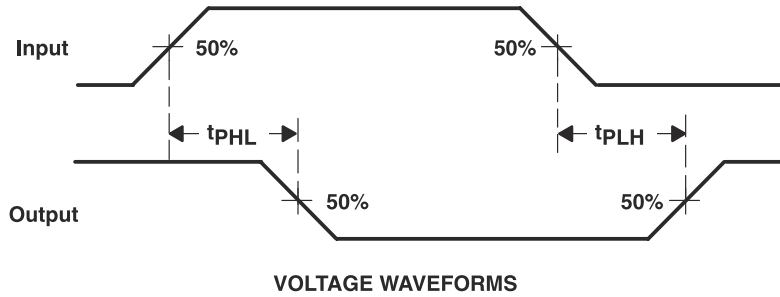
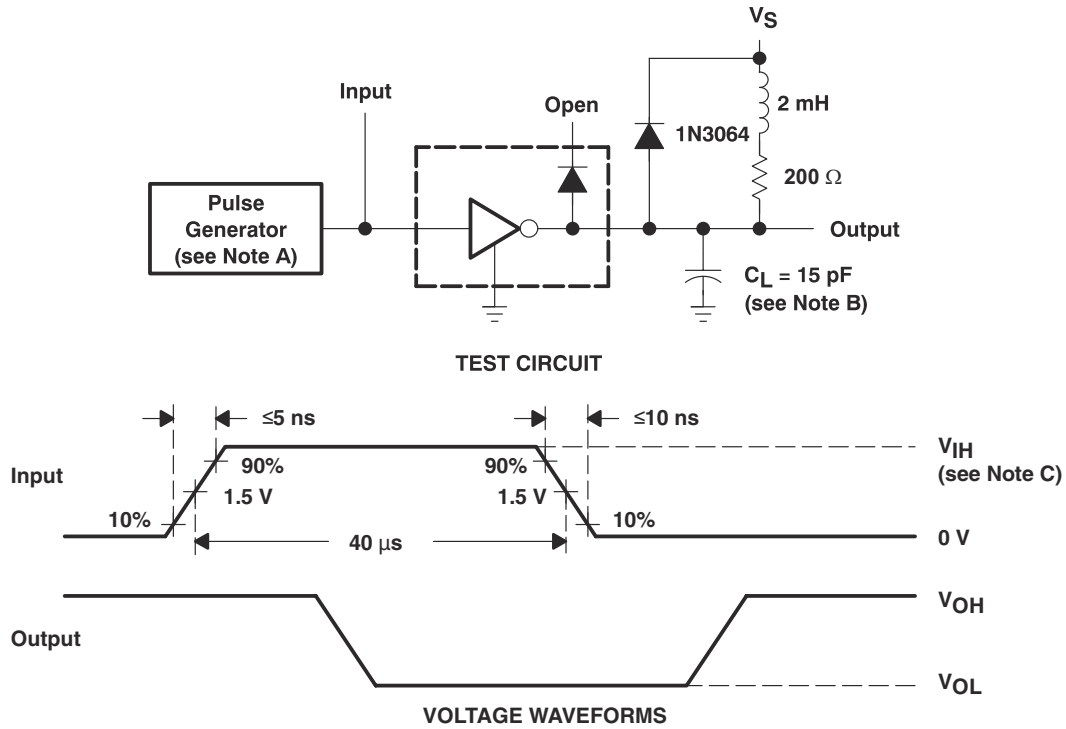


图 6-9. Propagation Delay-Time Waveforms



- A. The pulse generator has the following characteristics: PRR = 12.5 kHz,  $Z_O = 50 \Omega$ .
- B.  $C_L$  includes probe and jig capacitance.
- C. For testing the ULQ2003A,  $V_{IH} = 3 \text{ V}$ ; for the ULQ2004A,  $V_{IH} = 8 \text{ V}$ .

**图 6-10. Latch-Up Test Circuit and Voltage Waveforms**

## 7 Detailed Description

### 7.1 Overview

This standard device has proven ubiquity and versatility across a wide range of applications. This is due to integration of 7 Darlington transistors of the device that are capable of sinking up to 500 mA and wide GPIO range capability.

The ULQ200xA-Q1 devices comprise seven high-voltage, high-current NPN Darlington transistor pairs. All units feature a common emitter and open collector outputs. To maximize their effectiveness, these units contain suppression diodes for inductive loads. The ULNQ200xA-Q1 devices have a series base resistor to each Darlington pair, thus allowing operation directly with TTL or CMOS operating at supply voltages of 5 V or 3.3 V. The ULQ2003xA-Q1 device offers solutions to a great many interface needs, including solenoids, relays, lamps, small motors, and LEDs. Applications requiring sink currents beyond the capability of a single output may be accommodated by paralleling the outputs.

This device can operate over a wide temperature range ( - 40°C to 105°C for ULQ200xAQ or - 40°C to 125°C for ULQ2003AQ).

### 7.2 Functional Block Diagram

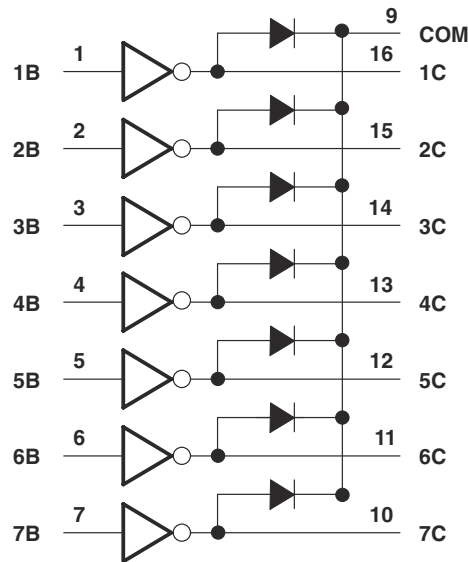
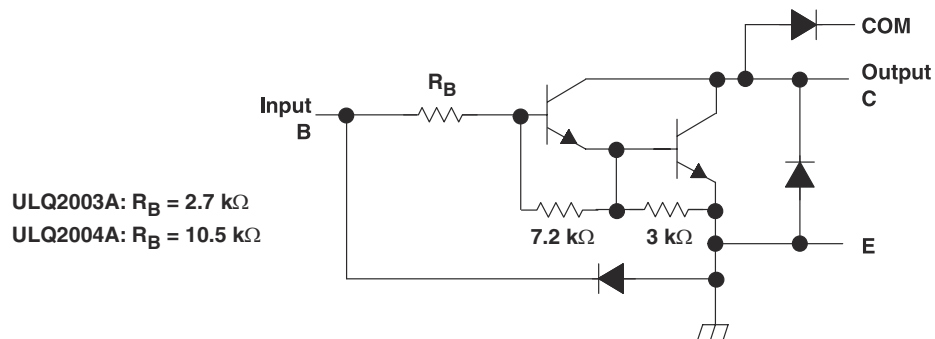


图 7-1. Logic Diagram



- A. All resistor values shown are nominal.
- B. The collector-emitter diode is a parasitic structure and should not be used to conduct current. If the collector(s) go below ground an external Schottky diode should be added to clamp negative undershoots.

图 7-2. Schematics (Each Darlington Pair)

## 7.3 Feature Description

Each channel of the ULQ200xA-Q1 devices consist of Darlington connected NPN transistors. This connection creates the effect of a single transistor with a very high-current gain ( $\beta^2$ ). This can be as high as 10,000 A/A at certain currents. The very high  $\beta$  allows for high-output current drive with a very low input current, essentially equating to operation with low GPIO voltages.

The GPIO voltage is converted to base current through the 2.7-k $\Omega$  or 10.5-k $\Omega$  resistor connected between the input and base of the predriver Darlington NPN. The 7.2-k $\Omega$  and 3-k $\Omega$  resistors connected between the base and emitter of each respective NPN act as pulldowns and suppress the amount of leakage that may occur from the input.

The diodes connected between the output and COM pin is used to suppress the kick-back voltage from an inductive load that is excited when the NPN drivers are turned off (stop sinking) and the stored energy in the coils causes a reverse current to flow into the coil supply through the kick-back diode.

In normal operation the diodes on base and collector pins to emitter will be reversed biased. If these diodes are forward biased, internal parasitic NPN transistors will draw (a nearly equal) current from other (nearby) device pins.

## 7.4 Device Functional Modes

### 7.4.1 Inductive Load Drive

When the COM pin is tied to the coil supply voltage, ULQ200xA-Q1 devices are able to drive inductive loads and suppress the kick-back voltage through the internal free-wheeling diodes.

### 7.4.2 Resistive Load Drive

When driving a resistive load, a pullup resistor is needed in order for the ULQ200xA-Q1 devices to sink current and for there to be a logic high level. The COM pin can be left floating for these applications.

## 8 Application and Implementation

### 备注

以下应用部分中的信息不属于 TI 器件规格的范围，TI 不担保其准确性和完整性。TI 的客户应负责确定器件是否适用于其应用。客户应验证并测试其设计，以确保系统功能。

### 8.1 Application Information

Typically, the ULQ200xA-Q1 device drives a high-voltage or high-current (or both) peripheral from an MCU or logic device that cannot tolerate these conditions. This design is a common application of ULQ200xA-Q1 device, driving inductive loads. This includes motors, solenoids and relays. 图 8-1 shows an example of driving multiple inductive loads.

### 8.2 Typical Application

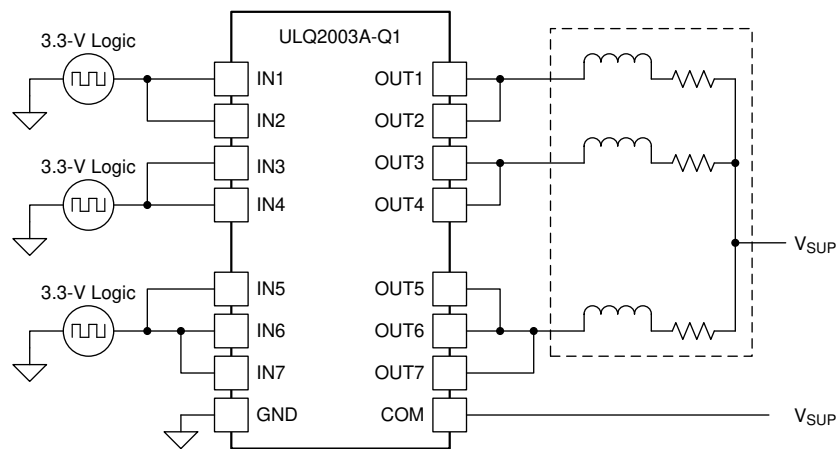


图 8-1. ULQ2003A-Q1 Device as Inductive Load Driver

#### 8.2.1 Design Requirements

For this design example, use the parameters listed in 表 8-1 as the input parameters.

表 8-1. Design Parameters

| DESIGN PARAMETER              | EXAMPLE VALUE               |
|-------------------------------|-----------------------------|
| GPIO voltage                  | 3.3 V or 5 V                |
| Coil supply voltage           | 12 V to 48 V                |
| Number of channels            | 7                           |
| Output current ( $R_{COIL}$ ) | 20 mA to 300 mA per channel |
| Duty cycle                    | 100%                        |

## 8.2.2 Detailed Design Procedure

When using ULQ2003A-Q1 device in a coil driving application, determine the following:

- Input voltage range
- Temperature range
- Output and drive current
- Power dissipation

### 8.2.2.1 Drive Current

The coil voltage ( $V_{SUP}$ ), coil resistance ( $R_{COIL}$ ), and low-level output voltage ( $V_{CE(SAT)}$  or  $V_{OL}$ ) determine the coil current.

$$I_{COIL} = (V_{SUP} - V_{CE(SAT)}) / R_{COIL} \quad (1)$$

### 8.2.2.2 Low-Level Output Voltage

The low-level output voltage ( $V_{OL}$ ) is the same as  $V_{CE(SAT)}$  and can be determined by, [图 5-1](#) or [图 5-2](#).

### 8.2.2.3 Power Dissipation and Temperature

The number of coils driven is dependent on the coil current and on-chip power dissipation. The number of coils driven can be determined by [图 8-2](#).

For a more accurate determination of number of coils possible, use [方程式 2](#) to calculate ULQ200xA-Q1 device on-chip power dissipation  $P_D$ :

$$P_D = \sum_{i=1}^N V_{OLi} \times I_{Li} \quad (2)$$

where

- $N$  is the number of channels active together
- $V_{OLi}$  is the  $OUT_i$  pin voltage for the load current  $I_{Li}$ . This is the same as  $V_{CE(SAT)}$

To ensure reliability of ULQ200xA-Q1 device and the system, the on-chip power dissipation must be lower than or equal to the maximum allowable power dissipation ( $PD_{(MAX)}$ ) dictated by [方程式 3](#).

$$PD_{(MAX)} = \frac{(T_{J(MAX)} - T_A)}{\theta_{JA}} \quad (3)$$

where

- $T_{J(max)}$  is the target maximum junction temperature
- $T_A$  is the operating ambient temperature
- $R_{\theta JA}$  is the package junction to ambient thermal resistance

Limit the die junction temperature of the ULQ200xA-Q1 device to less than 125°C. The IC junction temperature is directly proportional to the on-chip power dissipation.

### 8.2.3 Application Curve

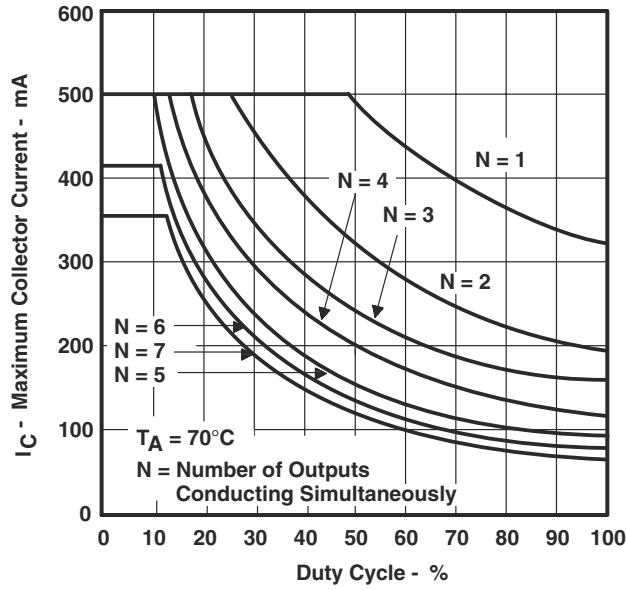


图 8-2. D Package Maximum Collector Current vs Duty Cycle

## 8.3 System Examples

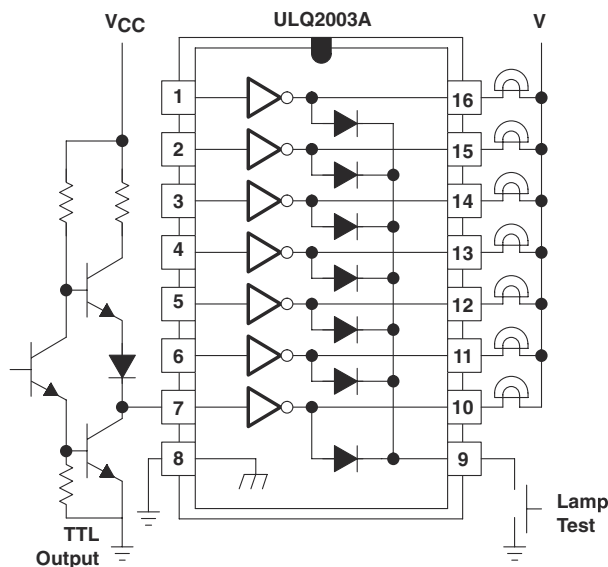


图 8-3. TTL to Load

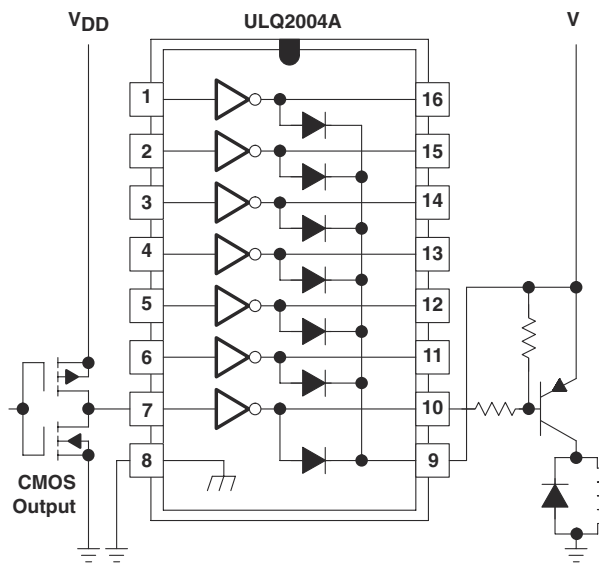


图 8-4. Buffer for Higher Current Loads

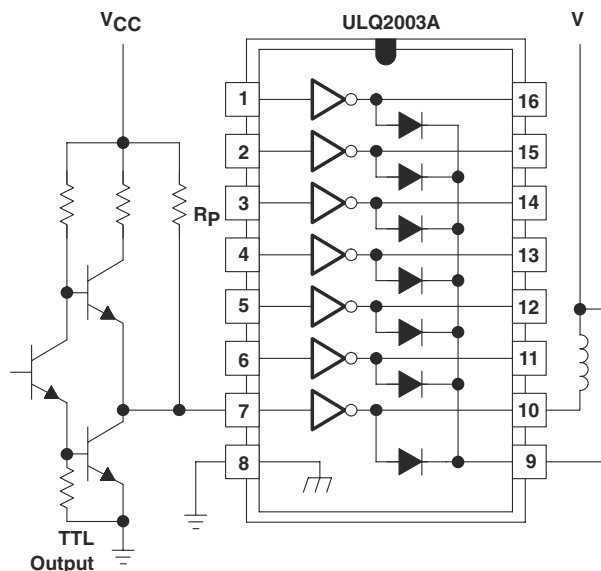


图 8-5. Use of Pullup Resistors to Increase Drive Current

## 8.4 Power Supply Recommendations

This device does not need a power supply. However, the COM pin is typically tied to the system power supply. When this is the case, it is very important to ensure that the output voltage does not heavily exceed the COM pin voltage. This discrepancy heavily forward biases the fly-back diodes and causes a large current to flow into COM, potentially damaging the on-chip metal or over-heating the device.

## 8.5 Layout

### 8.5.1 Layout Guidelines

Thin traces can be used on the input due to the low-current logic that is typically used to drive the ULQ200xA-Q1 devices. Take care to separate the input channels as much as possible, as to eliminate crosstalk. TI



recommends thick traces for the output to drive whatever high currents that may be needed. Wire thickness can be determined by the current density of the trace material and desired drive current.

Because all of the channels currents return to a common emitter, it is best to size that trace width to be very wide. Some applications require up to 2.5 A.

### 8.5.2 Layout Example

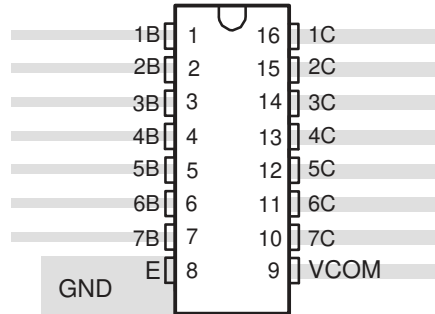


图 8-6. Package Layout

## 9 Device and Documentation Support

### 9.1 Related Links

The table below lists quick access links. Categories include technical documents, support and community resources, tools and software, and quick access to sample or buy.

表 9-1. Related Links

| PARTS       | PRODUCT FOLDER             | SAMPLE & BUY               | TECHNICAL DOCUMENTS        | TOOLS & SOFTWARE           | SUPPORT & COMMUNITY        |
|-------------|----------------------------|----------------------------|----------------------------|----------------------------|----------------------------|
| ULQ2003A-Q1 | <a href="#">Click here</a> | <a href="#">Click here</a> | <a href="#">Click here</a> | <a href="#">Click here</a> | <a href="#">Click here</a> |
| ULQ2004A-Q1 | <a href="#">Click here</a> | <a href="#">Click here</a> | <a href="#">Click here</a> | <a href="#">Click here</a> | <a href="#">Click here</a> |

### 9.2 支持资源

TI E2E™ 中文支持论坛是工程师的重要参考资料，可直接从专家处获得快速、经过验证的解答和设计帮助。搜索现有解答或提出自己的问题，获得所需的快速设计帮助。

链接的内容由各个贡献者“按原样”提供。这些内容并不构成 TI 技术规范，并且不一定反映 TI 的观点；请参阅 TI 的使用条款。

### 9.3 Trademarks

TI E2E™ is a trademark of Texas Instruments.

所有商标均为其各自所有者的财产。

### 9.4 静电放电警告



静电放电 (ESD) 会损坏这个集成电路。德州仪器 (TI) 建议通过适当的预防措施处理所有集成电路。如果不遵守正确的处理和安装程序，可能会损坏集成电路。

ESD 的损坏小至导致微小的性能降级，大至整个器件故障。精密的集成电路可能更容易受到损坏，这是因为非常细微的参数更改都可能会导致器件与其发布的规格不相符。

### 9.5 术语表

TI 术语表 本术语表列出并解释了术语、首字母缩略词和定义。

## 10 Revision History

注：以前版本的页码可能与当前版本的页码不同

### Changes from Revision E (November 2014) to Revision F (June 2024) Page

- 更新了整个文档中的表格、图和交叉参考的编号格式..... 1
- 在整个数据表中添加了 DYY 封装..... 1

### Changes from Revision D (April 2010) to Revision E (November 2014) Page

- 添加了引脚配置和功能部分、ESD 等级表、特性说明部分、器件功能模式、应用和实施部分、电源相关建议部分、布局部分、器件和文档支持部分以及机械、封装和可订购信息部分..... 1

## 11 Mechanical, Packaging, and Orderable Information

The following pages include mechanical, packaging, and orderable information. This information is the most current data available for the designated devices. This data is subject to change without notice and revision of this document. For browser-based versions of this data sheet, refer to the left-hand navigation.

**PACKAGING INFORMATION**

| Orderable Device | Status<br>(1) | Package Type | Package Drawing | Pins | Package Qty | Eco Plan<br>(2) | Lead finish/<br>Ball material<br>(6) | MSL Peak Temp<br>(3) | Op Temp (°C) | Device Marking<br>(4/5) | Samples                 |
|------------------|---------------|--------------|-----------------|------|-------------|-----------------|--------------------------------------|----------------------|--------------|-------------------------|-------------------------|
| ULQ2003AQDRQ1    | ACTIVE        | SOIC         | D               | 16   | 2500        | RoHS & Green    | NIPDAU                               | Level-1-260C-UNLIM   | -40 to 125   | ULQ2003AQ               | <a href="#">Samples</a> |
| ULQ2003AQDYRQ1   | ACTIVE        | SOT-23-THIN  | DYY             | 16   | 3000        | RoHS & Green    | NIPDAU                               | Level-1-260C-UNLIM   | -40 to 125   | U2003AQ                 | <a href="#">Samples</a> |
| ULQ2003ATDG4Q1   | OBSOLETE      | SOIC         | D               | 16   |             | TBD             | Call TI                              | Call TI              | -40 to 105   | ULQ2003AT               |                         |
| ULQ2003ATDQ1     | OBSOLETE      | SOIC         | D               | 16   |             | TBD             | Call TI                              | Call TI              | -40 to 105   | ULQ2003AT               |                         |
| ULQ2003ATDRG4Q1  | OBSOLETE      | SOIC         | D               | 16   |             | TBD             | Call TI                              | Call TI              | -40 to 105   | ULQ2003AT               |                         |
| ULQ2003ATDRQ1    | OBSOLETE      | SOIC         | D               | 16   |             | TBD             | Call TI                              | Call TI              | -40 to 105   | ULQ2003AT               |                         |
| ULQ2003ATPWRQ1   | ACTIVE        | TSSOP        | PW              | 16   | 2500        | RoHS & Green    | NIPDAU                               | Level-1-260C-UNLIM   | -40 to 105   | U2003AT                 | <a href="#">Samples</a> |
| ULQ2004ATDRG4Q1  | ACTIVE        | SOIC         | D               | 16   | 2500        | RoHS & Green    | NIPDAU                               | Level-1-260C-UNLIM   | -40 to 105   | ULQ2004AT               | <a href="#">Samples</a> |
| ULQ2004ATDRQ1    | ACTIVE        | SOIC         | D               | 16   | 2500        | RoHS & Green    | NIPDAU                               | Level-1-260C-UNLIM   | -40 to 105   | ULQ2004AT               | <a href="#">Samples</a> |

(1) The marketing status values are defined as follows:

**ACTIVE:** Product device recommended for new designs.

**LIFEBUY:** TI has announced that the device will be discontinued, and a lifetime-buy period is in effect.

**NRND:** Not recommended for new designs. Device is in production to support existing customers, but TI does not recommend using this part in a new design.

**PREVIEW:** Device has been announced but is not in production. Samples may or may not be available.

**OBSOLETE:** TI has discontinued the production of the device.

(2) **RoHS:** TI defines "RoHS" to mean semiconductor products that are compliant with the current EU RoHS requirements for all 10 RoHS substances, including the requirement that RoHS substance do not exceed 0.1% by weight in homogeneous materials. Where designed to be soldered at high temperatures, "RoHS" products are suitable for use in specified lead-free processes. TI may reference these types of products as "Pb-Free".

**RoHS Exempt:** TI defines "RoHS Exempt" to mean products that contain lead but are compliant with EU RoHS pursuant to a specific EU RoHS exemption.

**Green:** TI defines "Green" to mean the content of Chlorine (Cl) and Bromine (Br) based flame retardants meet JS709B low halogen requirements of <=1000ppm threshold. Antimony trioxide based flame retardants must also meet the <=1000ppm threshold requirement.

(3) MSL, Peak Temp. - The Moisture Sensitivity Level rating according to the JEDEC industry standard classifications, and peak solder temperature.

(4) There may be additional marking, which relates to the logo, the lot trace code information, or the environmental category on the device.

(5) Multiple Device Markings will be inside parentheses. Only one Device Marking contained in parentheses and separated by a "~" will appear on a device. If a line is indented then it is a continuation of the previous line and the two combined represent the entire Device Marking for that device.

<sup>(6)</sup> Lead finish/Ball material - Orderable Devices may have multiple material finish options. Finish options are separated by a vertical ruled line. Lead finish/Ball material values may wrap to two lines if the finish value exceeds the maximum column width.

**Important Information and Disclaimer:**The information provided on this page represents TI's knowledge and belief as of the date that it is provided. TI bases its knowledge and belief on information provided by third parties, and makes no representation or warranty as to the accuracy of such information. Efforts are underway to better integrate information from third parties. TI has taken and continues to take reasonable steps to provide representative and accurate information but may not have conducted destructive testing or chemical analysis on incoming materials and chemicals. TI and TI suppliers consider certain information to be proprietary, and thus CAS numbers and other limited information may not be available for release.

In no event shall TI's liability arising out of such information exceed the total purchase price of the TI part(s) at issue in this document sold by TI to Customer on an annual basis.

**OTHER QUALIFIED VERSIONS OF ULQ2003A-Q1, ULQ2004A-Q1 :**

- Catalog : [ULQ2003A](#), [ULQ2004A](#)

NOTE: Qualified Version Definitions:

- Catalog - TI's standard catalog product

**TAPE AND REEL INFORMATION**

**QUADRANT ASSIGNMENTS FOR PIN 1 ORIENTATION IN TAPE**


\*All dimensions are nominal

| Device         | Package Type | Package Drawing | Pins | SPQ  | Reel Diameter (mm) | Reel Width W1 (mm) | A0 (mm) | B0 (mm) | K0 (mm) | P1 (mm) | W (mm) | Pin1 Quadrant |
|----------------|--------------|-----------------|------|------|--------------------|--------------------|---------|---------|---------|---------|--------|---------------|
| ULQ2003AQDRQ1  | SOIC         | D               | 16   | 2500 | 330.0              | 16.4               | 6.5     | 10.3    | 2.1     | 8.0     | 16.0   | Q1            |
| ULQ2003AQDRQ1  | SOIC         | D               | 16   | 2500 | 330.0              | 16.4               | 6.5     | 10.3    | 2.1     | 8.0     | 16.0   | Q1            |
| ULQ2003AQDRQ1  | SOIC         | D               | 16   | 2500 | 330.0              | 16.4               | 6.5     | 10.3    | 2.1     | 8.0     | 16.0   | Q1            |
| ULQ2003AQDYRQ1 | SOT-23-THIN  | DYY             | 16   | 3000 | 330.0              | 12.4               | 4.8     | 3.6     | 1.6     | 8.0     | 12.0   | Q3            |
| ULQ2003ATPWRQ1 | TSSOP        | PW              | 16   | 2500 | 330.0              | 12.4               | 6.9     | 5.6     | 1.6     | 8.0     | 12.0   | Q1            |
| ULQ2004ATDRQ1  | SOIC         | D               | 16   | 2500 | 330.0              | 16.4               | 6.5     | 10.3    | 2.1     | 8.0     | 16.0   | Q1            |

**TAPE AND REEL BOX DIMENSIONS**


\*All dimensions are nominal

| Device         | Package Type | Package Drawing | Pins | SPQ  | Length (mm) | Width (mm) | Height (mm) |
|----------------|--------------|-----------------|------|------|-------------|------------|-------------|
| ULQ2003AQDRQ1  | SOIC         | D               | 16   | 2500 | 340.5       | 336.1      | 32.0        |
| ULQ2003AQDRQ1  | SOIC         | D               | 16   | 2500 | 356.0       | 356.0      | 35.0        |
| ULQ2003AQDRQ1  | SOIC         | D               | 16   | 2500 | 353.0       | 353.0      | 32.0        |
| ULQ2003AQDYRQ1 | SOT-23-THIN  | DYY             | 16   | 3000 | 336.6       | 336.6      | 31.8        |
| ULQ2003ATPWRQ1 | TSSOP        | PW              | 16   | 2500 | 356.0       | 356.0      | 35.0        |
| ULQ2004ATDRQ1  | SOIC         | D               | 16   | 2500 | 353.0       | 353.0      | 32.0        |

D (R-PDSO-G16)

PLASTIC SMALL OUTLINE



- NOTES:
- A. All linear dimensions are in inches (millimeters).
  - B. This drawing is subject to change without notice.
  - C. Body length does not include mold flash, protrusions, or gate burrs. Mold flash, protrusions, or gate burrs shall not exceed 0.006 (0,15) each side.
  - D. Body width does not include interlead flash. Interlead flash shall not exceed 0.017 (0,43) each side.
  - E. Reference JEDEC MS-012 variation AC.



4220204/A 02/2017

NOTES:

1. All linear dimensions are in millimeters. Any dimensions in parenthesis are for reference only. Dimensioning and tolerancing per ASME Y14.5M.
2. This drawing is subject to change without notice.
3. This dimension does not include mold flash, protrusions, or gate burrs. Mold flash, protrusions, or gate burrs shall not exceed 0.15 mm per side.
4. This dimension does not include interlead flash. Interlead flash shall not exceed 0.25 mm per side.
5. Reference JEDEC registration MO-153.



# EXAMPLE BOARD LAYOUT

PW0016A

TSSOP - 1.2 mm max height

SMALL OUTLINE PACKAGE



LAND PATTERN EXAMPLE  
EXPOSED METAL SHOWN  
SCALE: 10X



SOLDER MASK DETAILS

4220204/A 02/2017

NOTES: (continued)

- 6. Publication IPC-7351 may have alternate designs.
- 7. Solder mask tolerances between and around signal pads can vary based on board fabrication site.

# EXAMPLE STENCIL DESIGN

PW0016A

TSSOP - 1.2 mm max height

SMALL OUTLINE PACKAGE

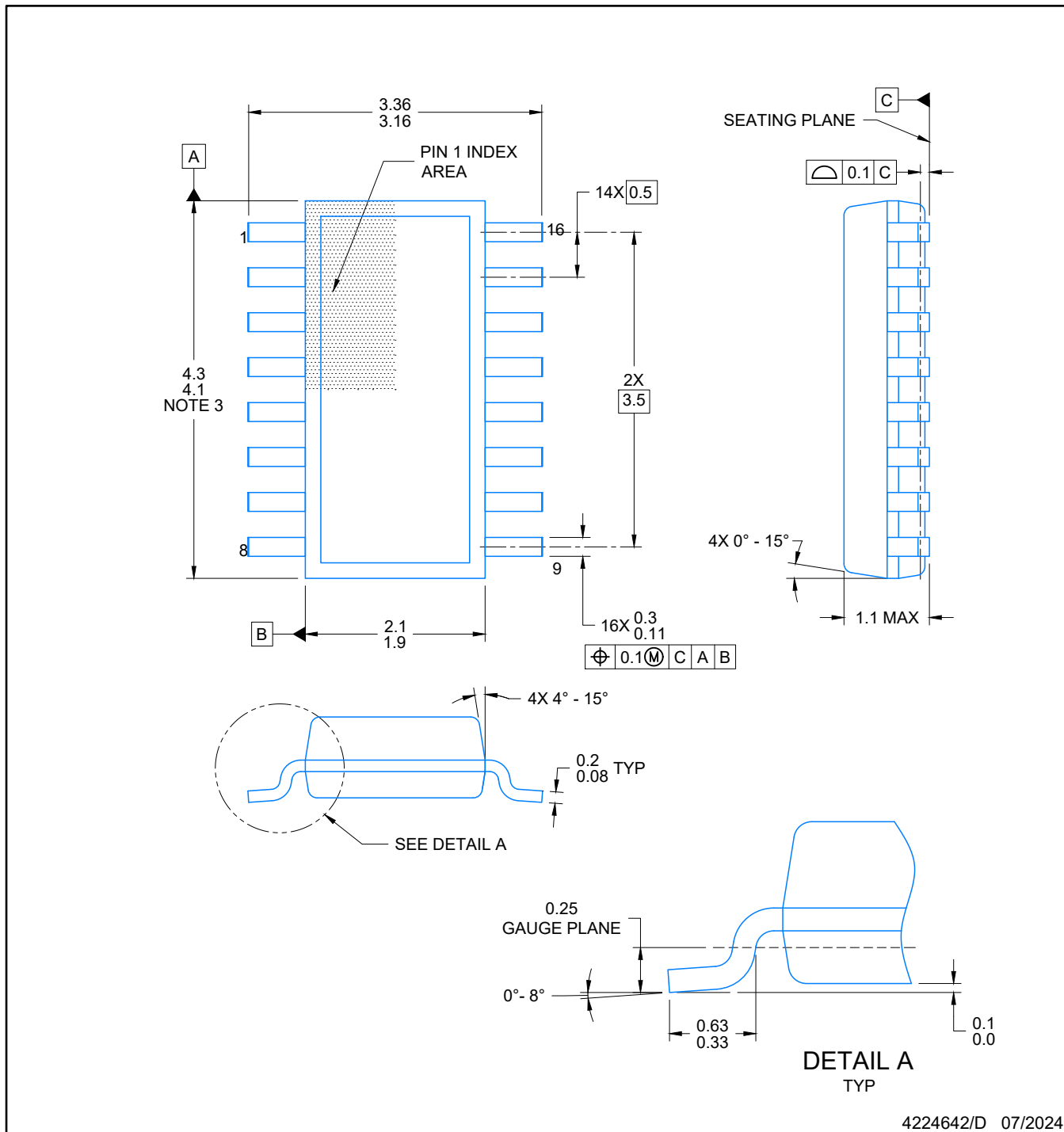


SOLDER PASTE EXAMPLE  
BASED ON 0.125 mm THICK STENCIL  
SCALE: 10X

4220204/A 02/2017

NOTES: (continued)

8. Laser cutting apertures with trapezoidal walls and rounded corners may offer better paste release. IPC-7525 may have alternate design recommendations.
9. Board assembly site may have different recommendations for stencil design.



4224642/D 07/2024

NOTES:

1. All linear dimensions are in millimeters. Any dimensions in parenthesis are for reference only. Dimensioning and tolerancing per ASME Y14.5M.
2. This drawing is subject to change without notice.
3. This dimension does not include mold flash, protrusions, or gate burrs. Mold flash, protrusions, or gate burrs shall not exceed 0.15 per side.
4. This dimension does not include interlead flash. Interlead flash shall not exceed 0.50 per side.
5. Reference JEDEC Registration MO-345, Variation AA



LAND PATTERN EXAMPLE  
EXPOSED METAL SHOWN  
SCALE: 20X



4224642/D 07/2024

NOTES: (continued)

- 6. Publication IPC-7351 may have alternate designs.
- 7. Solder mask tolerances between and around signal pads can vary based on board fabrication site.



SOLDER PASTE EXAMPLE  
BASED ON 0.125 mm THICK STENCIL  
SCALE: 20X

4224642/D 07/2024

NOTES: (continued)

- 8. Laser cutting apertures with trapezoidal walls and rounded corners may offer better paste release. IPC-7525 may have alternate design recommendations.
- 9. Board assembly site may have different recommendations for stencil design.

## 重要声明和免责声明

TI“按原样”提供技术和可靠性数据（包括数据表）、设计资源（包括参考设计）、应用或其他设计建议、网络工具、安全信息和其他资源，不保证没有瑕疵且不做任何明示或暗示的担保，包括但不限于对适销性、某特定用途方面的适用性或不侵犯任何第三方知识产权的暗示担保。

这些资源可供使用 TI 产品进行设计的熟练开发人员使用。您将自行承担以下全部责任：(1) 针对您的应用选择合适的 TI 产品，(2) 设计、验证并测试您的应用，(3) 确保您的应用满足相应标准以及任何其他功能安全、信息安全、监管或其他要求。

这些资源如有变更，恕不另行通知。TI 授权您仅可将这些资源用于研发本资源所述的 TI 产品的应用。严禁对这些资源进行其他复制或展示。您无权使用任何其他 TI 知识产权或任何第三方知识产权。您应全额赔偿因在这些资源的使用中对 TI 及其代表造成的任何索赔、损害、成本、损失和债务，TI 对此概不负责。

TI 提供的产品受 [TI 的销售条款](#) 或 [ti.com](#) 上其他适用条款/TI 产品随附的其他适用条款的约束。TI 提供这些资源并不会扩展或以其他方式更改 TI 针对 TI 产品发布的适用的担保或担保免责声明。

TI 反对并拒绝您可能提出的任何其他或不同的条款。

邮寄地址：Texas Instruments, Post Office Box 655303, Dallas, Texas 75265

Copyright © 2024，德州仪器 (TI) 公司