

# Low-Cost, Single-Chip, Differential Temperature Measurement Solution Using Precision Delta-Sigma ADCs



## Introduction

Various commercial and industrial end-equipment require differential temperature measurements (DTM) to operate, including thermal mass flow meters, integral tunable laser assemblies (ITLA), and heat meters, such as the one shown in Figure 1 below.

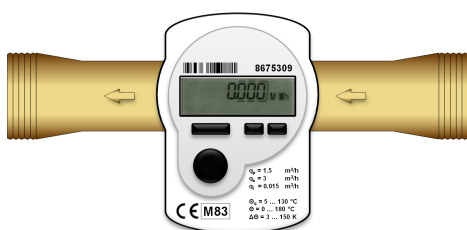


Figure 1. Heat Meter using DTM

Many of these end-equipment are battery-powered systems with extremely limited PCB space, requiring small, low-power solutions that also provide high resolution. Texas Instruments' ADS1220 offers a single-chip solution with an excellent balance between power consumption, size, and performance for many DTM applications.

## Circuit Implementation

Typical DTM implementations use two 2- or 4-wire resistance temperature detectors (RTDs). Figure 2 shows two 4-wire RTDs attached to the ADS1220, a 24-bit, low-power ADC operating down to 2.3 V and offered in a 3.5 mm x 3.5 mm QFN package.

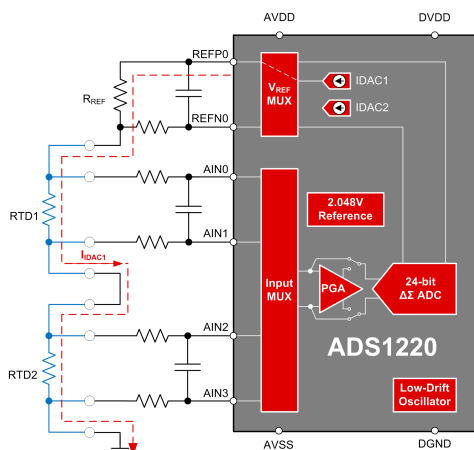


Figure 2. ADS1220 DTM Connection Diagram

Key characteristics of this circuit include:

- *Integrated RTD excitation* – uses one of ADS1220's integrated current sources (IDAC1) to excite both RTDs
- *Ratiometric measurement* – reference voltage ( $V_{REF} = I_{IDAC1} \cdot R_{REF}$ ) and input signal ( $V_{RTD} = I_{IDAC1} \cdot R_{RTD}$ ) are proportional to the excitation current ( $I_{IDAC1}$ ) such that measurements do not rely on the exact value of  $I_{IDAC1}$
- *RTDs in series* – offers faster settling time when multiplexing between RTD measurements since both RTDs are always excited
- *Anti-aliasing RC filters* – reduce aliasing and provide overvoltage protection
- *PGA bypass* – avoids integrated INA common-mode voltage limitations while still offering gains of 1, 2 and 4 V/V

## Selecting Component Values and ADC Settings

The specific end-equipment defines the component selection and ADC settings for the system shown in Figure 2. As an example, Table 1 lists common DTM requirements in heat meter applications using two PT-500 RTDs.

Table 1. System Specifications

Parameter	Unit	Value
Temperature Sensors		PT-500
Temperature Measurement Range ( $\theta$ )	$^{\circ}\text{C}$	0–180
Differential Temperature Range ( $\Delta\theta$ )	K	3–100
Differential Temperature Resolution	mK	10
Measurement Cycle	s	1
Power Supply Voltage	V	3

Using these heat-meter-specific parameters, select component values and settings for the ADS1220 as outlined below:

1.  $R_{REF}$  – select the value of  $R_{REF}$  to be 1x, 2x, or 4x the largest expected RTD resistance (highest temperature), including some margin
2. *IDAC current* – select the largest available value that still meets the IDAC's compliance voltage
3. *Gain* – select the same factor chosen in " $R_{REF}$ "
4. *Output data rate (ODR)* – select the fastest available data rate that still meets the system's resolution requirements

Optimizing  $R_{REF}$ , IDAC current, and gain increases the ADC's input signal and maximizes the measurement resolution as much as possible. Similarly, maximizing the ADC's ODR enables efficient device power cycling in order to minimize ADC on-time (power consumption) during each measurement cycle.

Designers must also consider ADC startup time, as this may hinder efficient power cycling. To mitigate this challenge, the ADS1220 offers a startup time of only 50  $\mu$ s. This fast startup time allows complete ADC power-down for more of the measurement cycle, enabling additional power savings compared to other solutions.

To meet the requirements outlined in the previous sections (specifically Table 1), Table 2 lists optimal ADC settings and system component values.

**Table 2. Component Values & ADC Settings**

Parameter	Value
$R_{REF}$	3.84 k $\Omega$
$I_{IDAC}$	250 $\mu$ A
Gain	4 V/V
Output Data Rate	90 SPS
Sampling Mode	Turbo

Table 3 lists the necessary register settings to implement the configuration shown in Figure 2 and enable the parameters from Table 2.

**Table 3. Register Settings for Values in Table 2**

Register	Setting	RTD1	RTD2
00h	RTD1 = AIN0/1, RTD2 = AIN2/3, Gain = 4, PGA Bypass	05h	55h
01h	90 SPS, Turbo Mode, Single-Shot Conversion	30h	30h
02h	Ext. VREF, IDAC = 250 $\mu$ A	44h	44h
03h	IDAC1 routed to REFP0	A0h	A0h

With these settings, the system achieves a DTM resolution better than 10 mK. Additionally, the system can measure each RTD and still power down the ADC for approximately 98% of the 1 second measurement cycle. During the RTD measurements, the ADS1220 consumes approximately 965  $\mu$ A while operating at the settings shown in Figure 2.

## System Tradeoffs

In most DTM applications, designers typically optimize between measurement resolution and power consumption. Changing the ADC's ODR offers a direct way to balance these two parameters. Table 4 summarizes the system tradeoffs associated with changing the ADC's ODR.

**Table 4. Effect of Changing ADC ODR on Resolution, ADC On-Time, and Power Consumption**

ODR	ADC On-Time	Resolution	Power
Increases	Decreases	Decreases	Decreases
Decreases	Increases	Increases	Increases

## Converting Code to Temperature

As stated in the "Circuit Implementation" section, the diagram in Figure 2 employs a ratiometric measurement such that the voltage across the RTD and reference voltage are both proportional to the IDAC current. Therefore, calculating the RTD temperature only requires the ADC's output code and resolution (N) as well as the user-defined values for gain and  $R_{REF}$ :

$$(V_{RTD} \cdot \text{Gain}) / (2 \cdot V_{REF}) = \text{Code} / 2^N \quad (1)$$

$$(R_{RTD} \cdot I_{IDAC} \cdot \text{Gain}) / (2 \cdot R_{REF} \cdot I_{IDAC}) = \text{Code} / 2^N \quad (2)$$

$$(R_{RTD} \cdot \text{Gain}) / (2 \cdot R_{REF}) = \text{Code} / 2^N \quad (3)$$

$$R_{RTD} = (\text{Code} \cdot R_{REF}) / (\text{Gain} \cdot 2^{N-1}) \quad (4)$$

## Diagnostic Features for DTM

The ADS1220 includes two additional features that provide useful diagnostics in DTM applications:

- *Voltage reference monitoring* – helps determine if the ADC's reference voltage is valid. A reference voltage across  $R_{REF}$  close to 0 V may indicate a disconnected RTD
- *Sensor burnout current sources (BOCS)* – can detect an open sense line of a 4-wire RTD

## Alternative Device Recommendations

Texas Instruments offers additional precision ADCs other than the ADS1220 that can be used for DTM. The solutions listed in Table 5 optimize for specific parameters such as cost, size or performance.

**Table 5. Alternative Device Recommendations**

Device	Optimized Parameter	Performance Trade-Off
ADS1120	Lower cost	16-bit resolution
ADS122C04	I2C Interface	Slower data communication
ADS122U04	UART Interface	
ADS124S06	Higher resolution	5 mm x 5 mm QFN

## Conclusion

Many industrial end-equipment that employ DTM require highly-integrated, low power, high-resolution ADCs, all in a small form factor. Texas Instrument's ADS1220 offers an excellent balance of performance, size, and current consumption to accurately and efficiently measure two 2- or 4-wire RTDs for DTM.

## IMPORTANT NOTICE FOR TI DESIGN INFORMATION AND RESOURCES

Texas Instruments Incorporated ("TI") technical, application or other design advice, services or information, including, but not limited to, reference designs and materials relating to evaluation modules, (collectively, "TI Resources") are intended to assist designers who are developing applications that incorporate TI products; by downloading, accessing or using any particular TI Resource in any way, you (individually or, if you are acting on behalf of a company, your company) agree to use it solely for this purpose and subject to the terms of this Notice.

TI's provision of TI Resources does not expand or otherwise alter TI's applicable published warranties or warranty disclaimers for TI products, and no additional obligations or liabilities arise from TI providing such TI Resources. TI reserves the right to make corrections, enhancements, improvements and other changes to its TI Resources.

You understand and agree that you remain responsible for using your independent analysis, evaluation and judgment in designing your applications and that you have full and exclusive responsibility to assure the safety of your applications and compliance of your applications (and of all TI products used in or for your applications) with all applicable regulations, laws and other applicable requirements. You represent that, with respect to your applications, you have all the necessary expertise to create and implement safeguards that (1) anticipate dangerous consequences of failures, (2) monitor failures and their consequences, and (3) lessen the likelihood of failures that might cause harm and take appropriate actions. You agree that prior to using or distributing any applications that include TI products, you will thoroughly test such applications and the functionality of such TI products as used in such applications. TI has not conducted any testing other than that specifically described in the published documentation for a particular TI Resource.

You are authorized to use, copy and modify any individual TI Resource only in connection with the development of applications that include the TI product(s) identified in such TI Resource. NO OTHER LICENSE, EXPRESS OR IMPLIED, BY ESTOPPEL OR OTHERWISE TO ANY OTHER TI INTELLECTUAL PROPERTY RIGHT, AND NO LICENSE TO ANY TECHNOLOGY OR INTELLECTUAL PROPERTY RIGHT OF TI OR ANY THIRD PARTY IS GRANTED HEREIN, including but not limited to any patent right, copyright, mask work right, or other intellectual property right relating to any combination, machine, or process in which TI products or services are used. Information regarding or referencing third-party products or services does not constitute a license to use such products or services, or a warranty or endorsement thereof. Use of TI Resources may require a license from a third party under the patents or other intellectual property of the third party, or a license from TI under the patents or other intellectual property of TI.

TI RESOURCES ARE PROVIDED "AS IS" AND WITH ALL FAULTS. TI DISCLAIMS ALL OTHER WARRANTIES OR REPRESENTATIONS, EXPRESS OR IMPLIED, REGARDING TI RESOURCES OR USE THEREOF, INCLUDING BUT NOT LIMITED TO ACCURACY OR COMPLETENESS, TITLE, ANY EPIDEMIC FAILURE WARRANTY AND ANY IMPLIED WARRANTIES OF MERCHANTABILITY, FITNESS FOR A PARTICULAR PURPOSE, AND NON-INFRINGEMENT OF ANY THIRD PARTY INTELLECTUAL PROPERTY RIGHTS.

TI SHALL NOT BE LIABLE FOR AND SHALL NOT DEFEND OR INDEMNIFY YOU AGAINST ANY CLAIM, INCLUDING BUT NOT LIMITED TO ANY INFRINGEMENT CLAIM THAT RELATES TO OR IS BASED ON ANY COMBINATION OF PRODUCTS EVEN IF DESCRIBED IN TI RESOURCES OR OTHERWISE. IN NO EVENT SHALL TI BE LIABLE FOR ANY ACTUAL, DIRECT, SPECIAL, COLLATERAL, INDIRECT, PUNITIVE, INCIDENTAL, CONSEQUENTIAL OR EXEMPLARY DAMAGES IN CONNECTION WITH OR ARISING OUT OF TI RESOURCES OR USE THEREOF, AND REGARDLESS OF WHETHER TI HAS BEEN ADVISED OF THE POSSIBILITY OF SUCH DAMAGES.

You agree to fully indemnify TI and its representatives against any damages, costs, losses, and/or liabilities arising out of your non-compliance with the terms and provisions of this Notice.

This Notice applies to TI Resources. Additional terms apply to the use and purchase of certain types of materials, TI products and services. These include; without limitation, TI's standard terms for semiconductor products (<http://www.ti.com/sc/docs/stdterms.htm>), [evaluation modules](#), and [samples](http://www.ti.com/sc/docs/sampterm.htm) (<http://www.ti.com/sc/docs/sampterm.htm>).

Mailing Address: Texas Instruments, Post Office Box 655303, Dallas, Texas 75265  
Copyright © 2018, Texas Instruments Incorporated