



Marek Lis

## ABSTRACT

All analog IC's are prone to over-voltage damage when exposed to voltages above or below the supply voltage used to power them. However, this is especially true in the case of automotive resolver applications where supplies used to power the ICs are typically much lower than the battery voltage. This application report covers in great detail several schemes that can be employed at the board level under various circuit conditions to prevent damage resulting from the accidental shorts.

---

## Table of Contents

<b>1 Introduction</b> .....	2
<b>2 ALM2402F-Q1 Output Fault Protection</b> .....	2
<b>3 ALM2402F-Q1 and ALM2403-Q1 Overvoltage Protection for Low Battery Voltages</b> .....	4
<b>4 ALM2403-Q1 Overvoltage Protection Schemes for High Vbat Voltages</b> .....	6
<b>5 Summary</b> .....	8

## List of Figures

Figure 2-1. ALM2402F-Q1 Normal Operation.....	2
Figure 2-2. ALM2402F-Q1 18 V Battery Fault Protection.....	2
Figure 2-3. Normal vs. Fault Operation of the Output Stage.....	3
Figure 3-1. ALM2402F-Q1 26V Battery Fault Protection.....	4
Figure 3-2. ALM2403-Q1 26V Battery Fault Protection.....	4
Figure 3-3. ALM2403-Q1 28V Battery Protection.....	5
Figure 3-4. ALM2403-Q1 48V Battery Protection.....	6
Figure 4-1. ALM2403-Q1 48 V Battery Fault Protection.....	6
Figure 4-2. ALM2403-Q1 100V Battery Fault Protection.....	7
Figure 4-3. ALM2403-Q1 Open-Loop Output Impedance.....	7

## Trademarks

All trademarks are the property of their respective owners.

## 1 Introduction

To minimize the power dissipation inside an op amp, and thus to improve efficiency of the solution, most of the resolver type of applications are powered from the sub-regulated voltage supply below the battery voltage. For this reason, most high current output amplifiers used in the automotive resolver applications, like [ALM2402F-Q1](#) and [ALM2403-Q1](#), must be fault protected at the PCB level against possible over-voltage (EOS), and or excessive output current, caused by accidental shorting of the amplifier output to the battery or other voltage source beyond the op amp's power supplies. Since the battery voltage may be higher than the amplifier's power supply voltage, or even higher than op amp absolute maximum rated voltage, any accidental shorting of the op amp output to the battery may result in damaging the part and thus must be protected.

## 2 ALM2402F-Q1 Output Fault Protection

Figure 2-1 shows the [ALM2402F-Q1](#) under normal quiescent condition being powered from 12 V single supply with its input and output voltage at 6 V mid-supply (no fault condition).

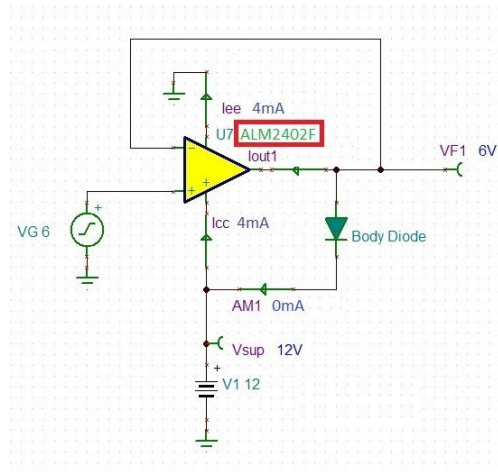


Figure 2-1. ALM2402F-Q1 Normal Operation

Figure 2-2 shows [ALM2402F-Q1](#) under a fault condition with its output being shorted to an 18 V battery while being powered by a 12 V supply, requiring only protection of a blocking Schottky diode, SD2. Since the absolute maximum rated supply voltage for [ALM2402F-Q1](#) is 18 V, adding the blocking diode, SD2, allows the battery voltage, Vbat, to pull up the amplifier's positive supply pin, Vsup, to 17.6 V without any damage.

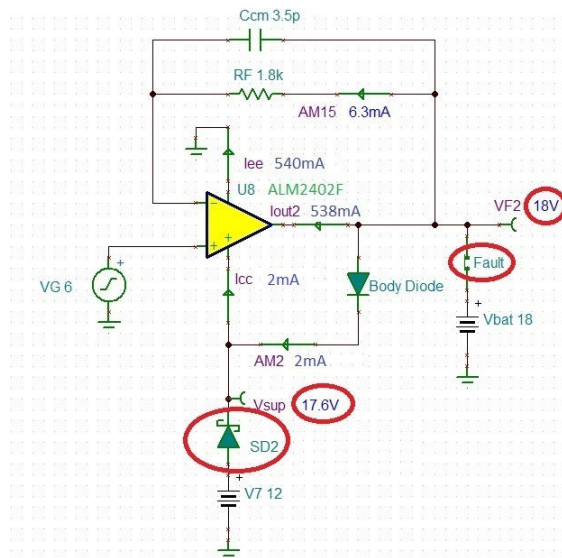
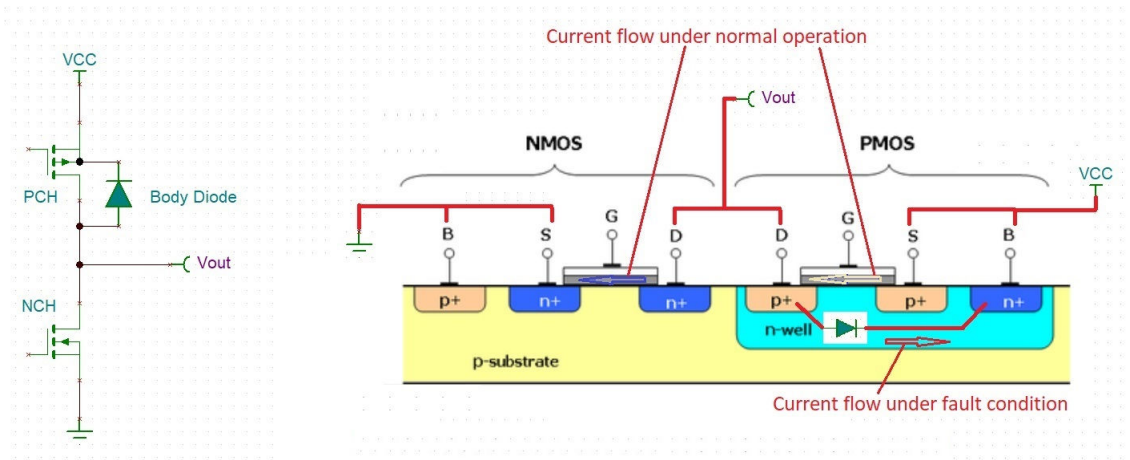


Figure 2-2. ALM2402F-Q1 18 V Battery Fault Protection

The addition of 1.8kΩ resistor in the feedback, RF, shown in [Figure 2-2](#), limits to 10mA maximum allowable current through the internal back-to-back input protection diodes located between the ALM2402F-Q1 input terminals.

Under the short to battery conditions output of ALM2402F-Q1 sinks 538mA short-circuit current (see [Figure 2-2](#)) attempting to bring down the output voltage. At the same time a body diode - an internal drain-to-nwell, p-n junction of P-channel output transistor - supplies 2mA quiescent current to bias the first two internal stages of the amplifier. Under normal operation of the output PMOS transistor, the current flows through the enhanced p-channel from Vcc to Vout. However, under the fault conditions, when Vout is above Vcc, normal operation of PMOS is shut down (Vgs=0) and thus the current flows in a reverse direction from the output, Vout, through drain-to-nwell body diode to a positive supply – see [Figure 2-3](#). For this reason, under fault condition Vsup gets pulled up within a diode drop below Vbat voltage (see [Figure 2-2](#)).



**Figure 2-3. Normal vs. Fault Operation of the Output Stage**

### 3 ALM2402F-Q1 and ALM2403-Q1 Overvoltage Protection for Low Battery Voltages

Since the absolute maximum rated supply voltage for [ALM2402F-Q1](#) is 18 V, shorting the output above said voltage requires extra circuitry to prevent EOS damage. To this end,  $V_{sup}$  must be protected by Transient Voltage Suppressor (TVS), a fast activated Zener diode with a breakdown voltage of 18 V or lower, from being pulled close to  $V_{bat}$  through the body diode since this would exceed its maximum rated supply voltage (see [Figure 3-1](#)). Additionally, the current through the body diode must be limited to a short-circuit level by adding R4 series resistor, which under short to 26 V fault condition results in over 7 V drop across its 7 $\Omega$  power resistor (total current of  $\sim 1.05A$ )

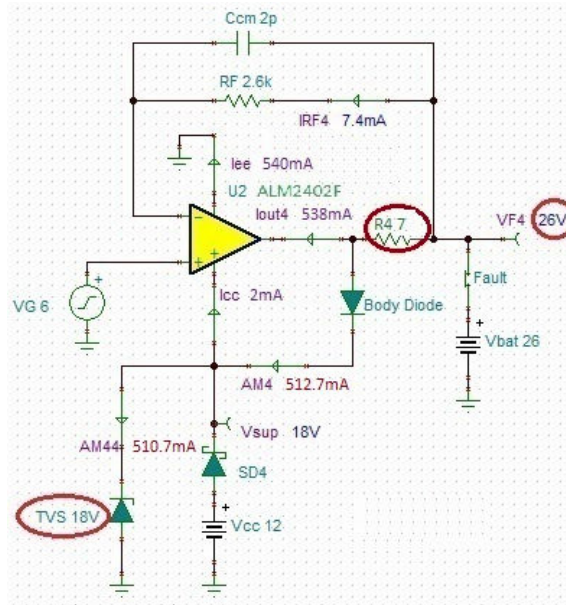


Figure 3-1. ALM2402F-Q1 26V Battery Fault Protection

However, there is a simpler solution to the above problem by using another part - [ALM2403-Q1](#). Because of its higher absolute maximum rated supply voltage, it eliminates the need for extra protection up to 26 V - see [Figure 3-2](#). As was the case with [ALM2402F-Q1](#) shown in [Figure 2-2](#), all that is required here is a blocking diode, SD5, which allows  $V_{sup}$  to be pulled to 25.6 V with no damage.

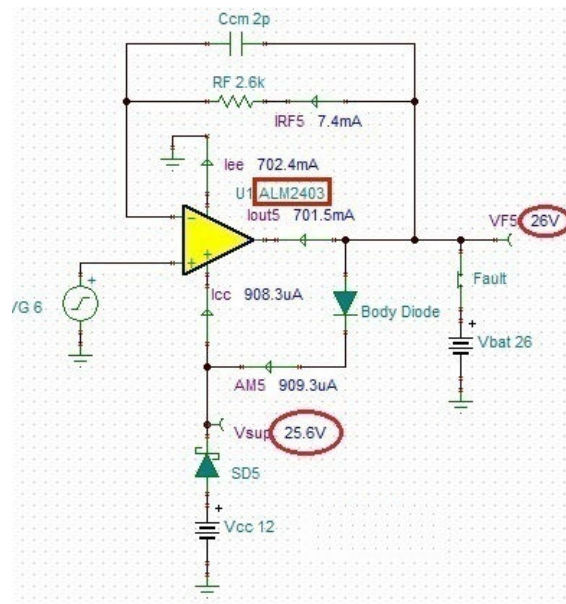
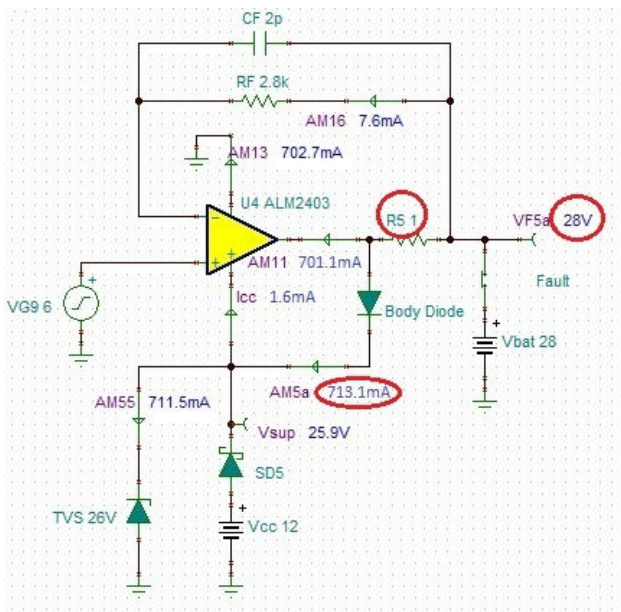


Figure 3-2. ALM2403-Q1 26V Battery Fault Protection

Nevertheless, as was the case with Vbat above 18 V in case of [ALM2402F-Q1](#), shorting [ALM2403-Q1](#) output above 26 V will similarly require a transient voltage suppressor (TVS) to clamp Vsup at 26 V (or lower). Also, a series output power resistor has to be added to limit the current through internal structures. Therefore, any protection against short to battery or other fault condition must not only protect against over-voltage at the supply pin, Vsup, but also assure that the resulting current through internal and/or external protection structures, does not exceed maximum rated limit specified in the respective product data sheets.

Therefore, for short to battery condition just above 26 V, the simplest way to limit the current through body diode is to include a small resistor inside the feedback loop in series with the [ALM2403-Q1](#) output. For example, under short to 28 V Vbat condition, Isc current (701mA) is being sunk by the amplifier output and adding just 1Ω power resistor, R5, between Vbat and output pin results in safe Vsup of 25.9 V. R5 also limits the body diode current to a safe 713.1mA, thus fully protects [ALM2403-Q1](#) from any damage – see [Figure 3-3](#).



**Figure 3-3. ALM2403-Q1 28V Battery Protection**

This approach works well for battery voltages up to few volts above the part's absolute maximum rated supply voltage but requires much higher value series output power resistor for higher Vbat that negatively affects the output voltage swing from the rails, and lowers power efficiency, under normal operating conditions. For example, in order to prevent over-current damage to the part under short to a 48 V battery, one would need to add around 20Ω resistor in series with [ALM2403-Q1](#) output. However, under normal linear conditions, with +/-200mA peak output current, this would lower the output voltage swing to each rail by additional +/-4V (total of 8 V), requiring a significant increase in the minimum supply voltage. This in turn would result in much lower power efficiency of the solution and thus may not be a viable option.

Therefore, in order to protect [ALM2403-Q1](#) under short to high voltage (48 V) Vbat condition, it may be necessary to add an external Schottky diode, SD7, in parallel with the body diode and capable of carrying a very high current – see [Figure 3-4](#). Under such scenario, in order to limit the current through Schottky diode to 20A (or less) this would require adding R66 1Ω power resistor between Vbat and the Schottky diode. Even though for a given current level the forward bias voltage of Schottky diode is much lower than that of the body diode (thus much more of the current would flow through external Schottky and not the body diode), under high current flow of 20A, its forward bias voltage may be 1 V or higher. Therefore, in order to limit the current through the body diode to a safe operating level, it may also be necessary to add another 1Ω series resistor, R6, between SD7 and the amplifier's output, VF12 – see [Figure 3-4](#).



load by just +/-320mV instead of +/-4 V. This means that there is little need to increase supply voltage, which results in higher efficiency of the resolver solution.

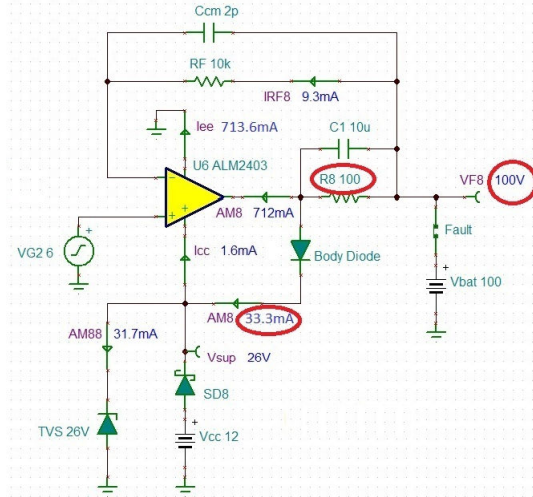


Figure 4-2. ALM2403-Q1 100V Battery Fault Protection

The same scheme may easily be employed to protect the ALM2403-Q1 output against a short to a much higher battery voltage, like 100 V, shown in Figure 4-2 above. The only difference between the two fault protections is that it now takes a higher value series power output resistor, R8, to properly limit the current under fault condition. Nevertheless, since the 100Ω series output resistor is similarly bypassed by the same 10μF capacitor, C1, the normal resolver operation of the circuit is hardly effected and thus almost identical as in the case shown in Figure 4-1. It should be noted that the output resistor bypass capacitor's maximum rated voltage should be sufficient to withstand the DC voltage imposed across it during a fault condition.

The only other consideration of the effects of adding a large series output resistor paralleled with 10μF capacitor inside the feedback loop has to do with their effect on the modified open-loop output impedance,  $Z_o$ , which controls the stability of the circuit while driving complex loads. However, as may be seen in the simulation of  $Z_o$  vs frequency graph shown in Figure 4-3, the R||C inclusion inside the feedback loop hardly makes any difference especially at the 10kHz frequency typically used in most automotive resolver applications. Thus, the circuit is capable of driving the same complex loads as in the case with no additional R||C fault protection circuitry.

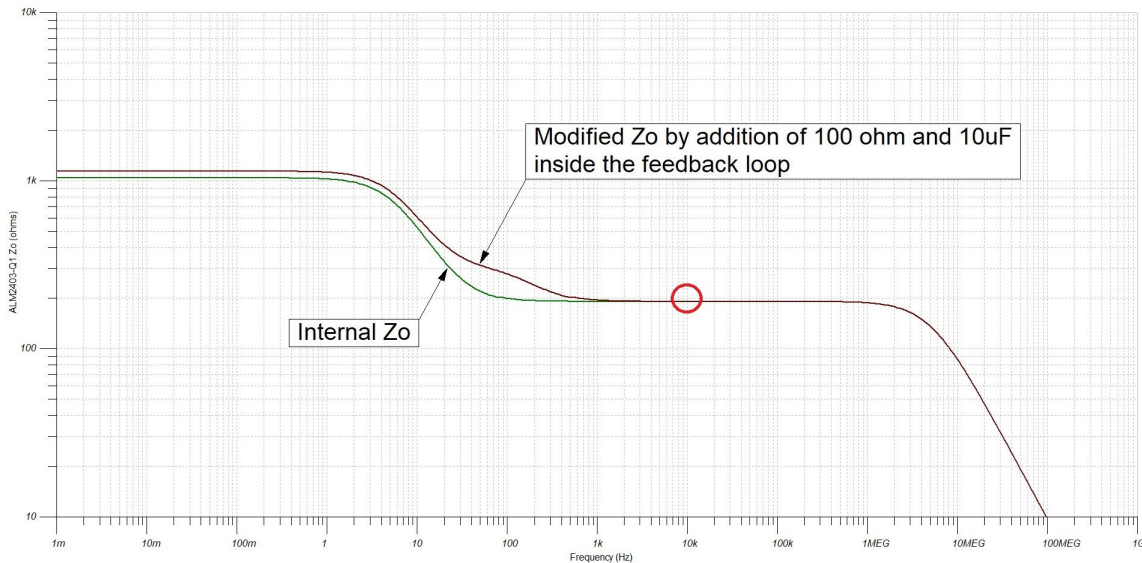


Figure 4-3. ALM2403-Q1 Open-Loop Output Impedance

## 5 Summary

This application report discussed several schemes that may be employed at the PCB level under various circuit conditions in order to prevent [ALM2402F-Q1](#) and [ALM2403-Q1](#) from over-voltage and/or over-current related damage. Since the amplifiers used in excitation of primary coil in resolver applications require to be powered from sub-regulated supply voltage in order to minimize power dissipation inside the package, this may lead to fault condition damaging the part. For that reason, amplifiers used in the automotive resolver applications must be protected with the external circuitry against a possible damage resulting from accidental shorting of the amplifier output to a battery or any other voltage source higher than the supply voltage,  $V_{cc}$ , used to power the op amps.

Hence, depending on the exact details of the application potential fault conditions, there are a variety of ways to prevent damage to the part:

- In case of battery voltage being within the part's absolute maximum rated voltage, using a simple blocking diode allows  $V_{sup}$  being pulled up by  $V_{bat}$  without damage
- With  $V_{bat}$  just a few volts above the absolute maximum rated voltage of the part, adding blocking diode, TVS and a small output resistor to limit the current through internal body diode to a safe level prevents damage
- For a battery voltage much higher than the part's absolute maximum rated voltage, using a small output resistor while diverting the high current through the external Schottky and TVS diodes may solve the potential problem but it is a bulky and costly solution
- In case of  $V_{bat}$  much higher than the absolute maximum rated voltage of the part, one may also use a large output resistor to limit the current through body diode to a safe level but this requires a large increase in the supply voltage that during resolver normal operation results in the loss of power efficiency
- Therefore, with a battery voltage much higher than part's absolute maximum rated voltage, an alternative approach is to add a large series output resistor inside the feedback loop to limit the current through body diode under fault condition but bypass it with a large non-polarized capacitor, as shown in [Figure 4-1](#) and [Figure 4-2](#), which eliminates the voltage drop across the output resistor under normal operation and thus maintains high power efficiency due to lower required supply voltage

All of the above schemes must be carefully considered in terms of their effectiveness, cost, board space and power efficiency before optimal solution may be chosen based on the potential fault conditions specific to the application. Even though this application note addresses only a single supply conditions found in most automotive resolver circuits, a similar protection schemes may be implemented in a dual supply applications against shorts to voltages below the negative rail. Likewise, similar schemes may be used more broadly to protect other analog IC's from various fault conditions caused by accidental shorting of its output to voltages beyond supplies used to power it.



## IMPORTANT NOTICE AND DISCLAIMER

TI PROVIDES TECHNICAL AND RELIABILITY DATA (INCLUDING DATA SHEETS), DESIGN RESOURCES (INCLUDING REFERENCE DESIGNS), APPLICATION OR OTHER DESIGN ADVICE, WEB TOOLS, SAFETY INFORMATION, AND OTHER RESOURCES "AS IS" AND WITH ALL FAULTS, AND DISCLAIMS ALL WARRANTIES, EXPRESS AND IMPLIED, INCLUDING WITHOUT LIMITATION ANY IMPLIED WARRANTIES OF MERCHANTABILITY, FITNESS FOR A PARTICULAR PURPOSE OR NON-INFRINGEMENT OF THIRD PARTY INTELLECTUAL PROPERTY RIGHTS.

These resources are intended for skilled developers designing with TI products. You are solely responsible for (1) selecting the appropriate TI products for your application, (2) designing, validating and testing your application, and (3) ensuring your application meets applicable standards, and any other safety, security, regulatory or other requirements.

These resources are subject to change without notice. TI grants you permission to use these resources only for development of an application that uses the TI products described in the resource. Other reproduction and display of these resources is prohibited. No license is granted to any other TI intellectual property right or to any third party intellectual property right. TI disclaims responsibility for, and you will fully indemnify TI and its representatives against, any claims, damages, costs, losses, and liabilities arising out of your use of these resources.

TI's products are provided subject to [TI's Terms of Sale](#) or other applicable terms available either on [ti.com](http://ti.com) or provided in conjunction with such TI products. TI's provision of these resources does not expand or otherwise alter TI's applicable warranties or warranty disclaimers for TI products.

TI objects to and rejects any additional or different terms you may have proposed.

Mailing Address: Texas Instruments, Post Office Box 655303, Dallas, Texas 75265  
Copyright © 2022, Texas Instruments Incorporated