

Functional Safety Information
LMR38015, LMR38025
Functional Safety FIT Rate, FMD and Pin FMA



Table of Contents

1 Overview	2
2 Functional Safety Failure In Time (FIT) Rates	3
3 Failure Mode Distribution (FMD)	4
4 Pin Failure Mode Analysis (Pin FMA)	5

Trademarks

All trademarks are the property of their respective owners.

1 Overview

This document contains information for LMR38015, LMR38025 (WSON package) to aid in a functional safety system design. Information provided are:

- Functional Safety Failure In Time (FIT) rates of the semiconductor component estimated by the application of industry reliability standards
- Component failure modes and their distribution (FMD) based on the primary function of the device
- Pin failure mode analysis (Pin FMA)

Figure 1-1 shows the device functional block diagram for reference.

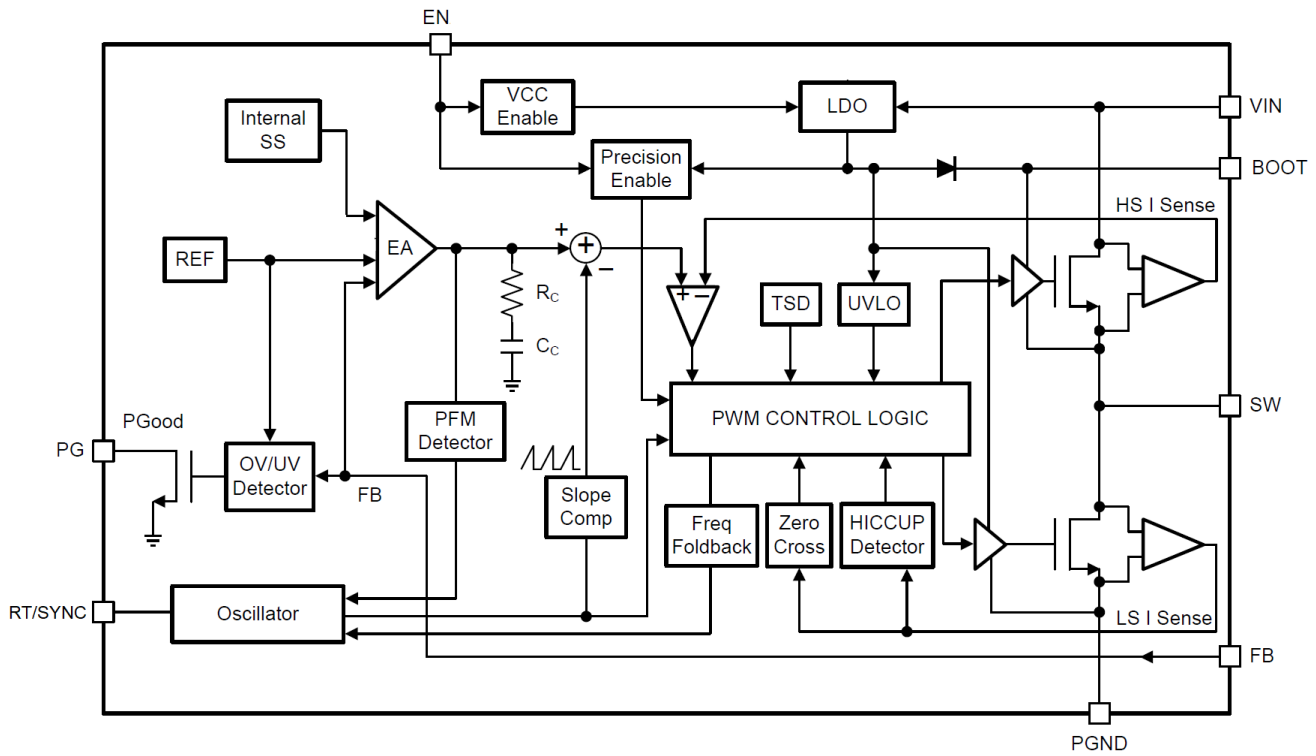


Figure 1-1. Functional Block Diagram

LMR38015, LMR38025 was developed using a quality-managed development process, but was not developed in accordance with the IEC 61508 or ISO 26262 standards.

2 Functional Safety Failure In Time (FIT) Rates

This section provides Functional Safety Failure In Time (FIT) rates for LMR38015, LMR38025 based on two different industry-wide used reliability standards:

- [Table 2-1](#) provides FIT rates based on IEC TR 62380 / ISO 26262 part 11
- [Table 2-2](#) provides FIT rates based on the Siemens Norm SN 29500-2

Table 2-1. Component Failure Rates per IEC TR 62380 / ISO 26262 Part 11

FIT IEC TR 62380 / ISO 26262	FIT (Failures Per 10 ⁹ Hours)
Total Component FIT Rate	10
Die FIT Rate	5
Package FIT Rate	5

The failure rate and mission profile information in [Table 2-1](#) comes from the Reliability data handbook IEC TR 62380 / ISO 26262 part 11:

- Mission Profile: Motor Control from Table 11
- Power dissipation: 1000mW
- Climate type: World-wide Table 8
- Package factor (lambda 3): Table 17b
- Substrate Material: FR4
- EOS FIT rate assumed: 0 FIT

Table 2-2. Component Failure Rates per Siemens Norm SN 29500-2

Table	Category	Reference FIT Rate	Reference Virtual T _J
5	CMOS/BICMOS ASICs Analog & Mixed HV >50V supply	25 FIT	55°C

The Reference FIT Rate and Reference Virtual T_J (junction temperature) in [Table 2-2](#) come from the Siemens Norm SN 29500-2 tables 1 through 5. Failure rates under operating conditions are calculated from the reference failure rate and virtual junction temperature using conversion information in SN 29500-2 section 4.

3 Failure Mode Distribution (FMD)

The failure mode distribution estimation for LMR38015, LMR38025 in [Table 3-1](#) comes from the combination of common failure modes listed in standards such as IEC 61508 and ISO 26262, the ratio of sub-circuit function size and complexity and from best engineering judgment.

The failure modes listed in this section reflect random failure events and do not include failures due to misuse or overstress.

Table 3-1. Die Failure Modes and Distribution

Die Failure Modes	Failure Mode Distribution (%)
No SW output	50
SW output not in specification – voltage or timing	40
SW power FET stuck on	5
PGOOD false trip, fails to trip	5

The FMD in [Table 3-1](#) excludes short circuit faults across the isolation barrier. Faults for short circuit across the isolation barrier can be excluded according to ISO 61800-5-2:2016 if the following requirements are fulfilled:

1. The signal isolation component is OVC III according to IEC 61800-5-1. If a SELV/PELV power supply is used, pollution degree 2 and OVC II applies. All requirements of IEC 61800-5-1:2007, 4.3.6 apply.
2. Measures are taken to make sure that an internal failure of the signal isolation component cannot result in excessive temperature of the insulating material.

Creepage and clearance requirements should be applied according to the specific equipment isolation standards of an application. Care should be taken to maintain the creepage and clearance distance of a board design to ensure that the mounting pads of the isolator on the printed-circuit board do not reduce this distance.

4 Pin Failure Mode Analysis (Pin FMA)

This section provides a Failure Mode Analysis (FMA) for the pins of the LMR38015, LMR38025. The failure modes covered in this document include the typical pin-by-pin failure scenarios:

- Pin short-circuited to Ground (see [Table 4-2](#))
- Pin open-circuited (see [Table 4-3](#))
- Pin short-circuited to an adjacent pin (see [Table 4-4](#))
- Pin short-circuited to supply (see [Table 4-5](#))

[Table 4-2](#) through [Table 4-5](#) also indicate how these pin conditions can affect the device as per the failure effects classification in [Table 4-1](#).

Table 4-1. TI Classification of Failure Effects

Class	Failure Effects
A	Potential device damage that affects functionality
B	No device damage, but loss of functionality
C	No device damage, but performance degradation
D	No device damage, no impact to functionality or performance

[Figure 4-1](#) shows the LMR38015, LMR38025 pin diagram. For a detailed description of the device pins please refer to the *Pin Configuration and Functions* section in the LMR38015, LMR38025 data sheet.

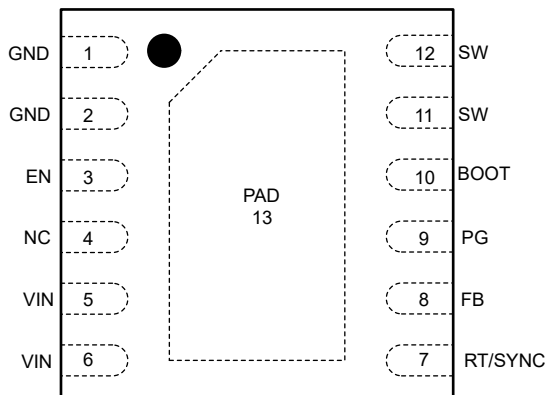


Figure 4-1. Pin Diagram

Following are the assumptions of use and the device configuration assumed for the pin FMA in this section:

- Application circuit, as per the LMR38015, LMR38025 data sheet

Table 4-2. Pin FMA for Device Pins Short-Circuited to Ground

Pin Name	Pin No	Description of Potential Failure Effect(s)	Failure Effect Class
GND	1, 2	Normal operation	D
EN	3	VOUT = 0V	B
VIN	5, 6	VOUT = 0V	B
RT/SYNC	7	Switching Frequency >> 3MHz	C
FB	8	VOUT >> than programmed output voltage	B
PG	9	No power good function	B
BOOT	10	VOUT = 0V	B
SW	11, 12	Damage to HS FET	A

Table 4-3. Pin FMA for Device Pins Open-Circuited

Pin Name	Pin No	Description of Potential Failure Effect(s)	Failure Effect Class
GND	1, 2	VOUT can be abnormal due to switching noise on analog circuits	B
EN	3	Device can shut off	B
VIN	5, 6	Device can shut off	B
RT/SYNC	7	No Switching frequency	B
FB	8	VOUT >> than programmed output voltage	B
PG	9	No power good function	B
BST	10	VOUT = 0V	B
SW	11, 12	VOUT = 0V	B

Table 4-4. Pin FMA for Device Pins Short-Circuited to Adjacent Pin

Pin Name 1	Pin Name 2	Description of Potential Failure Effect(s)	Failure Effect Class
GND	EN	VOUT = 0V	B
EN	VIN	Normal Vout operation	B
FB	PG	VOUT less than programmed output voltage	B
PG	BOOT	PGOOD Pin ESD damage if BOOT pin voltage >20V	A
BOOT	SW	VOUT = 0V	B

Table 4-5. Pin FMA for Device Pins Short-Circuited to Supply

Pin Name	Pin No	Description of Potential Failure Effect(s)	Failure Effect Class
GND	1, 2	VOUT = 0V. Damage to other pins referred to GND.	A
EN	3	Device enabled	D
VIN	5, 6	Normal mode	D
RT/SYNC	7	RT/SYNC Pin ESD damage if VIN > 5.5V	A
FB	8	If VIN exceeds 5.5V, damage will occur. VOUT = 0V	A
PG	9	PGOOD Pin ESD damage if VIN >20V	B
BOOT	10	VOUT = 0V. CBOOT ESD clamp will run current to destruction	A
SW	11, 12	Damage to LS FET	A

IMPORTANT NOTICE AND DISCLAIMER

TI PROVIDES TECHNICAL AND RELIABILITY DATA (INCLUDING DATA SHEETS), DESIGN RESOURCES (INCLUDING REFERENCE DESIGNS), APPLICATION OR OTHER DESIGN ADVICE, WEB TOOLS, SAFETY INFORMATION, AND OTHER RESOURCES "AS IS" AND WITH ALL FAULTS, AND DISCLAIMS ALL WARRANTIES, EXPRESS AND IMPLIED, INCLUDING WITHOUT LIMITATION ANY IMPLIED WARRANTIES OF MERCHANTABILITY, FITNESS FOR A PARTICULAR PURPOSE OR NON-INFRINGEMENT OF THIRD PARTY INTELLECTUAL PROPERTY RIGHTS.

These resources are intended for skilled developers designing with TI products. You are solely responsible for (1) selecting the appropriate TI products for your application, (2) designing, validating and testing your application, and (3) ensuring your application meets applicable standards, and any other safety, security, regulatory or other requirements.

These resources are subject to change without notice. TI grants you permission to use these resources only for development of an application that uses the TI products described in the resource. Other reproduction and display of these resources is prohibited. No license is granted to any other TI intellectual property right or to any third party intellectual property right. TI disclaims responsibility for, and you will fully indemnify TI and its representatives against, any claims, damages, costs, losses, and liabilities arising out of your use of these resources.

TI's products are provided subject to [TI's Terms of Sale](#) or other applicable terms available either on [ti.com](https://www.ti.com) or provided in conjunction with such TI products. TI's provision of these resources does not expand or otherwise alter TI's applicable warranties or warranty disclaimers for TI products.

TI objects to and rejects any additional or different terms you may have proposed.

Mailing Address: Texas Instruments, Post Office Box 655303, Dallas, Texas 75265
Copyright © 2024, Texas Instruments Incorporated