

## **LM63625QDRREVM EVM User's Guide**

The Texas Instruments LM63625QDRREVM evaluation module (EVM) helps designers evaluate the operation and performance of the LM63625-Q1 buck regulator. The LM63625-Q1 is a family of easy-to-use synchronous step-down DC/DC converters capable of driving up to 2.5 A of load current from an input voltage of 3.5 V to 36 V. The LM63625-Q1 features a selectable output voltage of 3.3 V or 5 V and a switching frequency of 2.1 MHz. See the [LM636x5-Q1 3.5-V to 36-V, 1.5-A, and 2.5-A Automotive Step-down Voltage Converter Data Sheet](#) for additional features, detailed description, and available options.

The EVM options are found in [Table 1](#).

**Table 1. Device and Package Configurations**

EVM	DEVICE	OUTPUT CURRENT	SWITCHING FREQUENCY	PACKAGE
LM63625QDRREVM	LM63625DQDRRQ1	2.5 A	2.1 MHz	DRR0012 (WSON)



**Figure 1. LM63625QDRREVM Board Image**

### Contents

1	Setup .....	3
2	Operation .....	6
3	Performance Curves .....	6
4	Schematic.....	7
5	Board Layout .....	8
6	Bill of Materials .....	11

### List of Figures

1	LM63625QDRREVM Board Image.....	1
2	EVM Board Connections.....	3
3	EVM Card Edge Connections.....	4

4	Jumper Locations .....	4
5	FRA Setup .....	5
6	Efficiency AUTO Mode, $V_{OUT} = 3.3\text{ V}$ , $f_{SW} = 2100\text{ KHz}$ .....	6
7	Efficiency Without Input Filter AUTO Mode, $V_{OUT} = 5\text{ V}$ , $f_{SW} = 2100\text{ KHz}$ .....	6
8	LM63625EVM Schematic .....	7
9	Top View of EVM .....	8
10	Bottom View of EVM .....	8
11	EVM Top Copper Layer .....	9
12	EVM Mid Layer One .....	9
13	EVM Mid Layer Two .....	10
14	EVM Bottom Copper Layer .....	10

#### List of Tables

1	Device and Package Configurations .....	1
2	BOM for LM63625EVM .....	11

#### Trademarks

All trademarks are the property of their respective owners.

## 1 Setup

This section describes the test points and connectors on the EVM and how to properly connect, set up, and use the LM63625QDRREVM. Either the banana jacks on the top of the board or the card edge connector can be used for connections. See [Figure 2](#) for the top of board connections and [Figure 3](#) for the card edge connections. See the [LM636x5-Q1 3.5-V to 36-V, 1.5-A, and 2.5-A Automotive Step-down Voltage Converter Data Sheet](#) for details. The following lists the functions of the connections:

**VINEMI**— Input supply to EVM. Connect to a suitable input supply.

**GND**— System ground

**VOUT**— Output of EVM. Connect to desired load.

**VOS**— Output voltage sense connection (do not use for power; sense only)

**VIS**— Input voltage sense connection (do not use for power; sense only)

**GNDS**— Ground sense point for analog measurements (do not use for power; sense only)

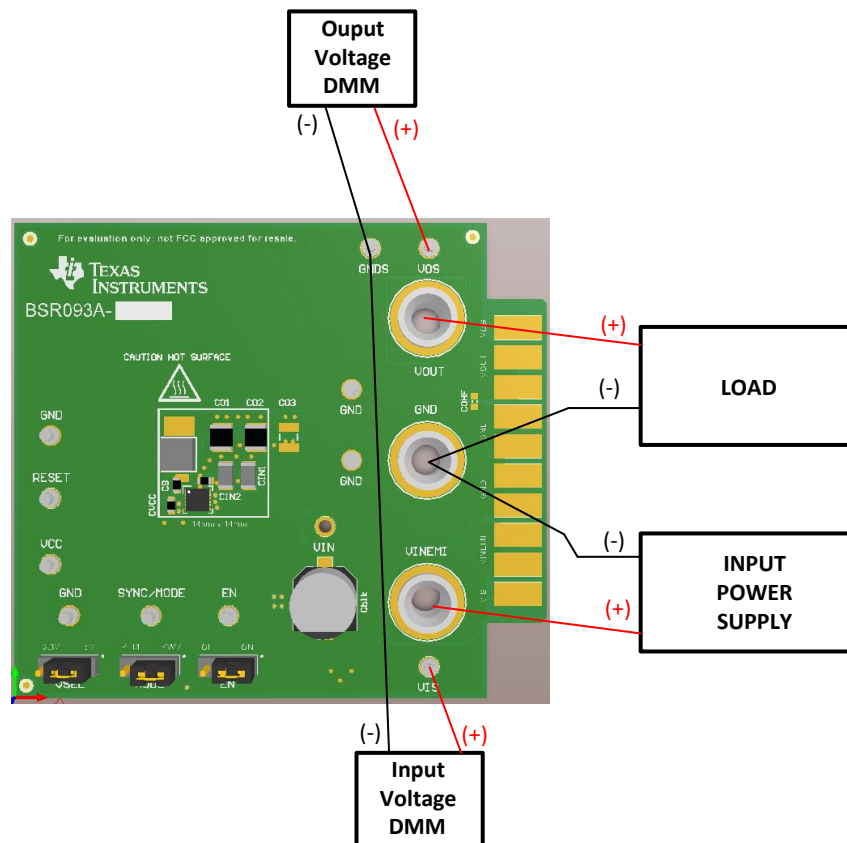


Figure 2. EVM Board Connections

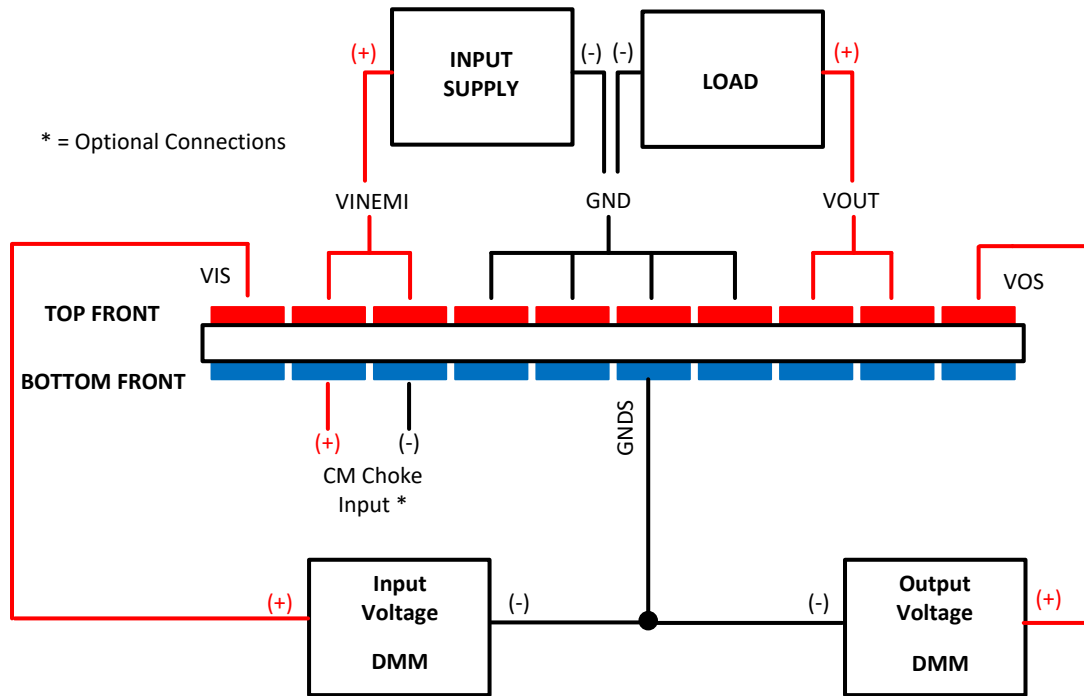


Figure 3. EVM Card Edge Connections

### 1.1 Jumpers

See Figure 4 for jumper locations.

**VSEL**— This jumper allows output voltage selection of either 3.3 V or 5 V. See the Section 2 for details.

**MODE**— This jumper allows the selection of either AUTO mode or FPWM mode. In addition, by removing this jumper and supplying a clock signal to the SYNC/MODE test point, the device can be synchronized to an external clock.

**EN**— This jumper turns the device on or off. In addition, by removing this jumper and supplying a signal to the EN test point, the device can be controlled externally.

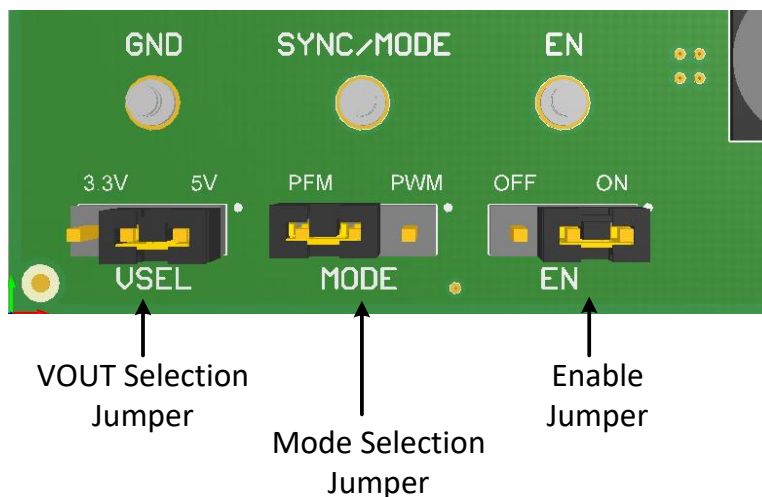


Figure 4. Jumper Locations

## 1.2 Test Points

- **VINEMI** - Input supply to EVM. Connect to a suitable input supply.
- **GND** - System power ground
- **VOOUT** - Power output of EVM. Connect to desired load.
- **VOS** - Output voltage sense connection. Connect to DMM.
- **VINS** - Input voltage sense connection. Connect to DMM.
- **GNDS** - Ground sense point for analog measurements. Connect to DMM.
- **EN** - Connected to the EN input of the device
- **RESET** - Connected to the RESET pin of the IC. It is used as a flag output. The reset function can be monitored at this test point. Pull-up resistor, RPU, must be populated. A typical value for pullup resistor is 100 k $\Omega$ .
- **SYNC/MODE** - Connected to the SYNC/MODE pin of the IC.
- **VCC** - Connected to the VCC output of the device. Can be used for logic level pullups, if needed.
- **OPEN PADS** - Connections for frequency response analyzer (on bottom of board) to take Bode plots. See [Figure 5](#) for details of connections.

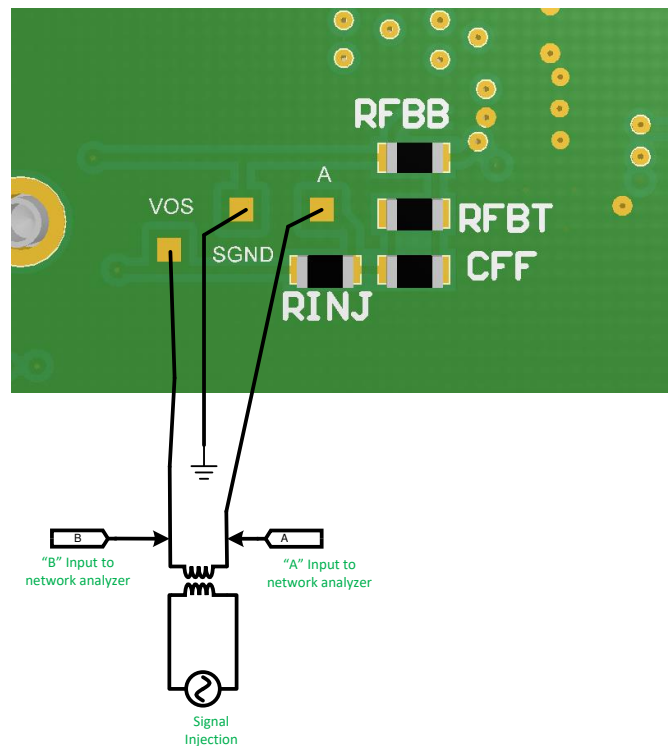


Figure 5. FRA Setup

## 2 Operation

Once the above connections are made and the appropriate jumpers are set, the EVM is ready to use.

The output voltage of the EVM can be selected by the VSEL jumper to either 3.3 V or 5 V. EN must be cycled when the jumper is changed, in order for the selection to be programmed. Other values of output voltage can be set by removing the VSEL jumper and populating R<sub>adj</sub> (on bottom) with a 10 kΩ. Values for R<sub>FBT</sub> and R<sub>FBB</sub> are then selected and populated in the designated locations. See the [LM636x5-Q1 3.5-V to 36-V, 1.5-A, and 2.5-A Automotive Step-down Voltage Converter Data Sheet](#) for more information.

The switching mode of the EVM can be changed by using the SYNC/MODE jumper; this selection can be made "on-the-fly".

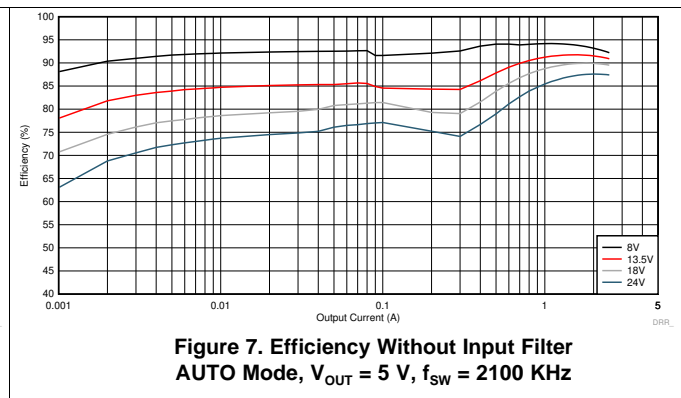
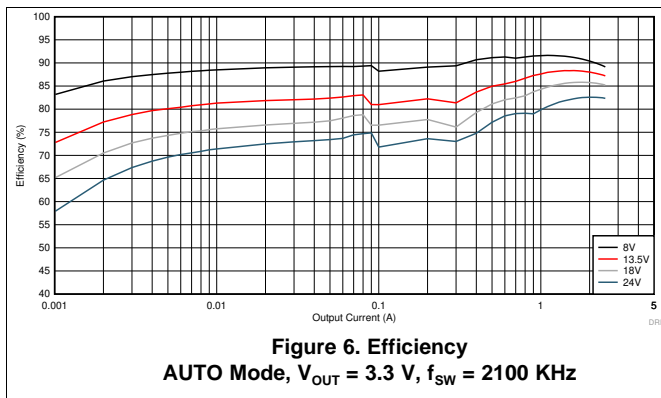
To use the  $\overline{\text{RESET}}$  function, a pullup resistor is required. A place for this resistor is provided on the bottom of the PCB (RPU). Values of 10 kΩ to 100 kΩ are appropriate. Be sure to limit the voltage on this pullup to less than the specified Abs max for this pin.

Some components in the EMI filter are not populated. The user is free to experiment with different EMI filter components as desired.

Loop gain measurements (Bode plots) can be made using the setup shown in [Figure 5](#).

The EVM has been designed for maximum flexibility regarding component selection. This allows the user to place preferred components such as the inductor, the capacitors, or both, on the board and test the performance of the regulator. This way the power supply system can be tested before committing the design to production.

## 3 Performance Curves



4 Schematic

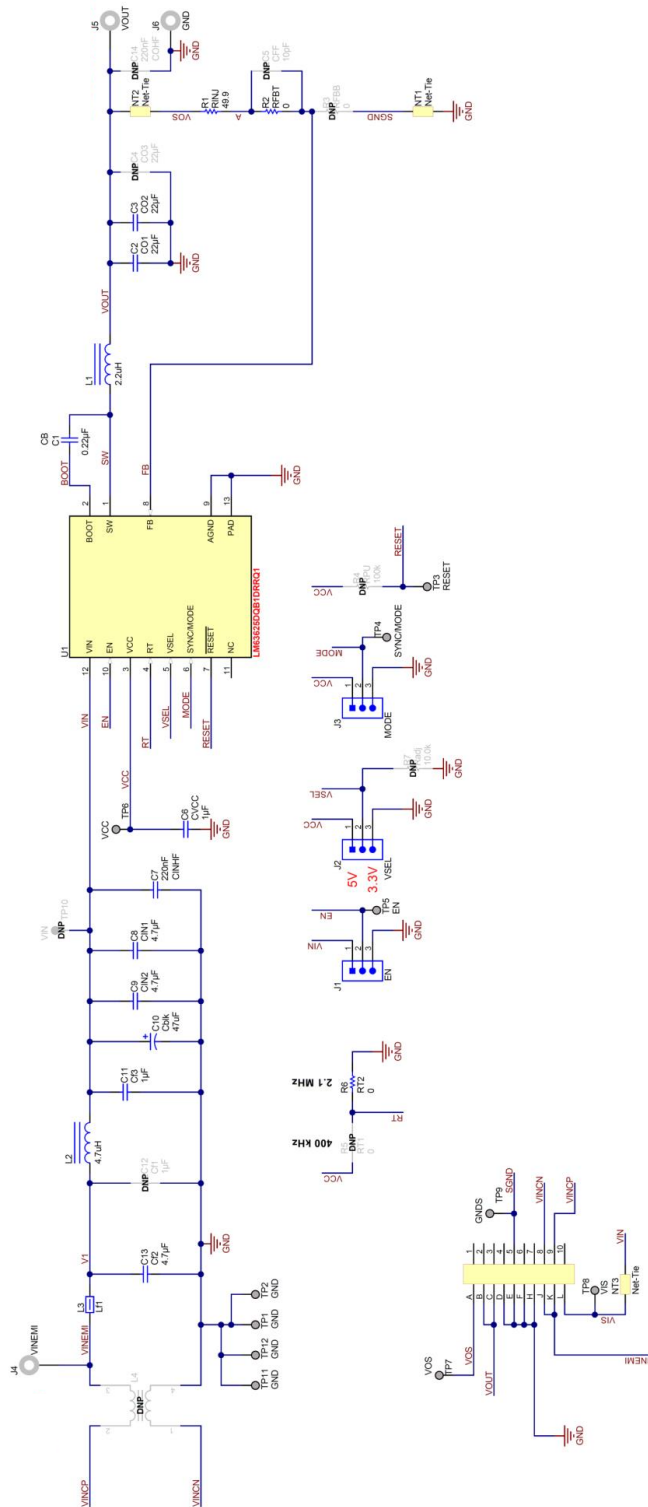



Figure 8. LM63625EVM Schematic

## 5 Board Layout



**CAUTION**

Caution Hot surface.  
Contact may cause burns.  
Do not touch.

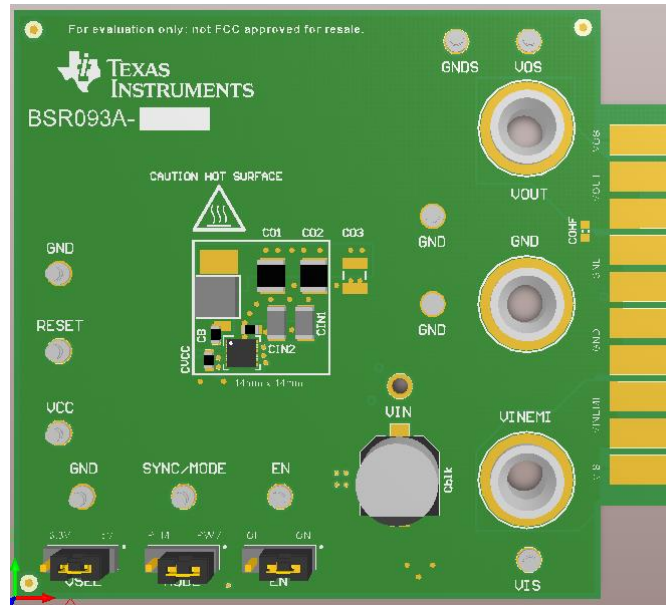


Figure 9. Top View of EVM

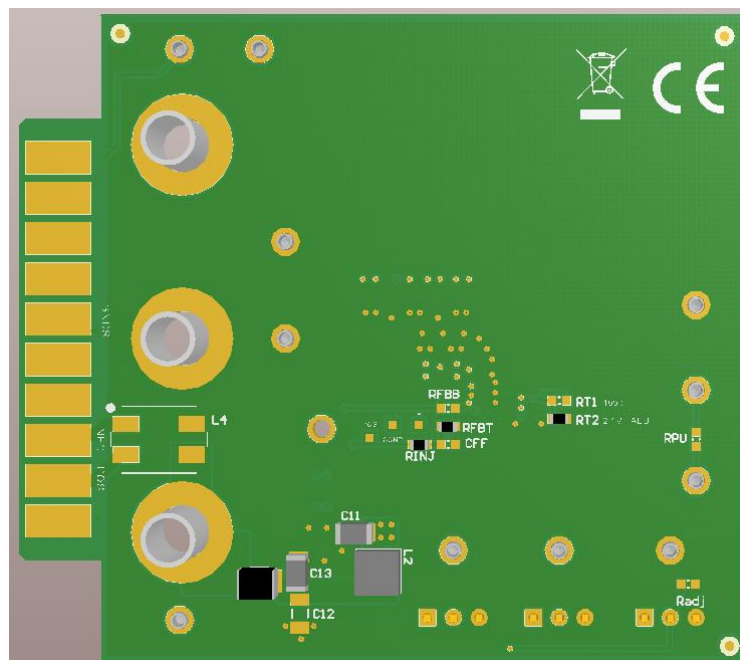


Figure 10. Bottom View of EVM



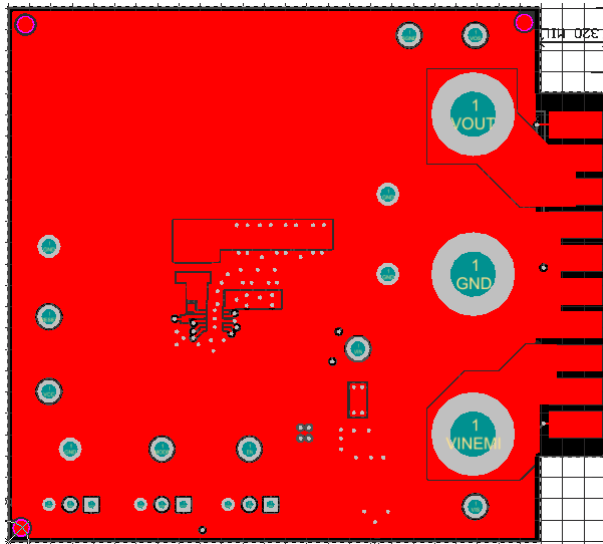


Figure 11. EVM Top Copper Layer

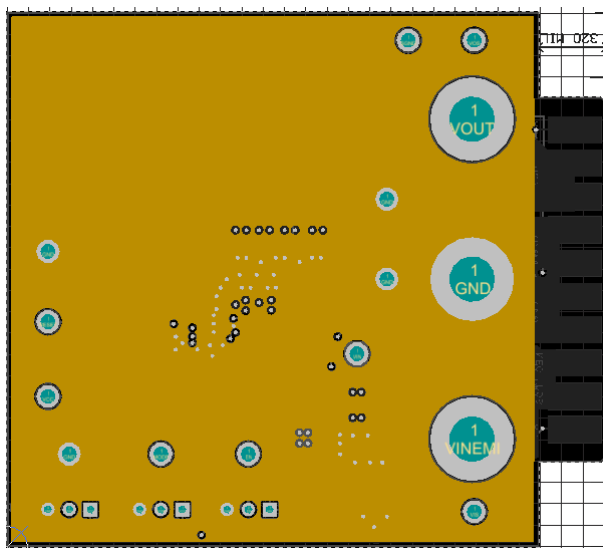


Figure 12. EVM Mid Layer One

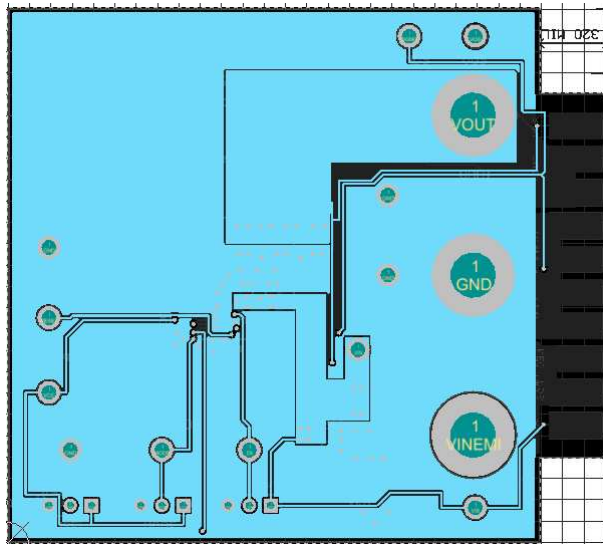


Figure 13. EVM Mid Layer Two

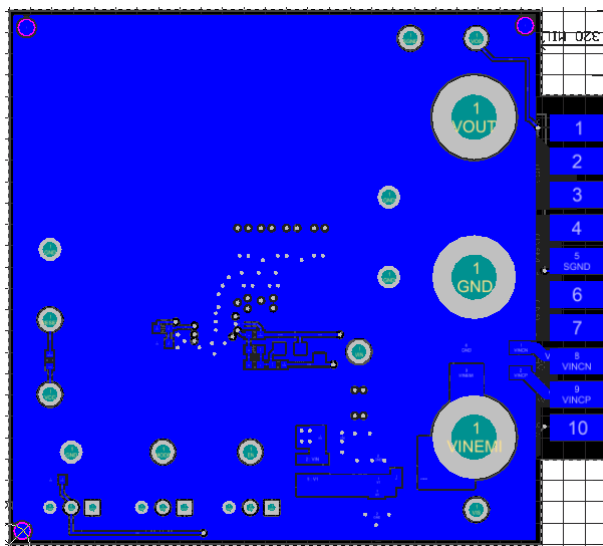


Figure 14. EVM Bottom Copper Layer

## 6 Bill of Materials

**Table 2. BOM for LM63625EVM**

DESIGNATOR	COMMENT	DESCRIPTION	MANUFACTURER	PART NUMBER	QUANTITY
C1	CB	CAP, CERM, 0.22 $\mu$ F, 16 V, $\pm$ 10%, X7R, AEC-Q200 Grade 1, 0603	Samsung	CL10B224KO8VPNC	1
C2,C3	CO1,CO2	CAP, CERM, 22 $\mu$ F, 16 V, $\pm$ 20%, X7R, AEC-Q200 Grade 1, 1210	Taiyo Yuden	EMK325B7226MMHT	2
C6	CVCC	CAP, CERM, 1 $\mu$ F, 16 V, $\pm$ 10%, X7R, AEC-Q200 Grade 1, 0603	Taiyo Yuden	EMK107B7105KAHT	1
C7	CINHF	CAP, CERM, 0.22 $\mu$ F, 50 V, $\pm$ 10%, X7R, AEC-Q200 Grade 1, 0603	Kemet	CGA3E3X7R1H224K080AB	1
C8,C9,C13	CIN1, Cin2, Cf2	CAP, CERM, 4.7 $\mu$ F, 50 V, $\pm$ 10%, X7R, AEC-Q200 Grade 1, 1206	TDK	CGA5L3X7R1H475K160AE	3
C7	CVCC	CAP, CERM, 1 $\mu$ F, 16 V, $\pm$ 10%, X7R, AEC-Q200 Grade 1, 0603	TDK	EMK107B7105KAHT	1
C10	Cblk	CAP, AL, 47 $\mu$ F, 63 V, $\pm$ 20%, AEC-Q200 Grade 2, SMD	Panasonic	EEE-HA1J470UP	1
C11	Cf3	CAP, CERM, 1 $\mu$ F, 50 V, $\pm$ 10%, X7R, AEC-Q200 Grade 1, 1206	Taiyo Yuden	UMK316B7105KLHT	1
J1, J2, J3	EN, VSEL, SYNC/MODE	Header, 100 mil, 3x1, Gold, TH	Samtec	HTSW-103-07-G-S	3
L1	L1	Inductor, Shielded, Composite, 2.2 $\mu$ H, 6.1 A, 0.0201 $\Omega$ , AEC-Q200 Grade 1, SMD	Coilcraft	XEL4030-222MEB	1
L2	Lf2	Inductor, Shielded, Metal Composite, 4.7 $\mu$ H, 2.9 A, 0.076 $\Omega$ , SMD	Würth Elektronik	74438356047	1
L3	Lf1	Ferrite Bead, 600 $\Omega$ at 100 MHz, 3 A, 1210	Taiyo Yuden	FBMH3225HM601NT	1
R1	RINJ	RES, 49.9, 1%, 0.1 W, AEC-Q200 Grade 0, 0603	Vishay-Dale	CRCW060349R9FKEA	1
R2, R6	RT2, RFBT	RES, 0, 1%, 0.1 W, AEC-Q200 Grade 0, 0603	Stackpole Electronics Inc	RMCF0603ZT0R00	2
R6	RINJ	RES, 49.9, 1%, 0.1 W, AEC-Q200 Grade 0, 0603	Vishay-Dale	CRCW060349R9FKEA	1
TP1, TP2, TP3, TP4, TP5, TP6, TP7, TP8, TP9, TP11	VINS, VOUTS, VIN_EMI, EN, VOUT, GND, TPGND2, TPGND1, GNDS, RESET, SYNC	Terminal, Turret, TH, Double	Keystone	1593-2	10
U1	LM63625DQB1DRRQ1	3.5-V to 36-V, 2.5-A, Automotive Step-down Voltage Converter, DRR0012E (WSON-12)	Texas Instruments	LM63625DQB1DRRQ1	1
C4	CO3	CAP, CERM, 22 $\mu$ F, 16 V, $\pm$ 20%, X7R, AEC-Q200 Grade 1, 1210	Taiyo Yuden	EMK325B7226MMHT	0
C5	CFF	CAP, CERM, 10 pF, 50 V, $\pm$ 5%, COG/NP0, 0603	MuRata	GRM1885C1H100JA01D	0
C12	Cf1	CAP, CERM, 1 $\mu$ F, 50 V, $\pm$ 10%, X7R, AEC-Q200 Grade 1, 1206	Taiyo Yuden	UMK316B7105KLHT	0
C14	COHF	CAP, CERM, 0.22 $\mu$ F, 50 V, $\pm$ 10%, X7R, AEC-Q200 Grade 1, 0603	TDK	CGA3E3X7R1H224K080AB	0
L4	L4	Coupled inductor, 0.015 $\Omega$ , AEC-Q200 Grade 1, SMD	TDK	ACM70V-701-2PL-TL00	0
R3, R5	RFFB, RT1	RES, 0, 1%, 0.1 W, AEC-Q200 Grade 0, 0603	Stackpole Electronics Inc	RMCF0603ZT0R00	0
R4	RPU	RES, 100 k, 1%, 0.1 W, AEC-Q200 Grade 0, 0603	Vishay-Dale	CRCW0603100KFKEA	0
R7	Radj	RES, 10.0 k, 1%, 0.1 W, AEC-Q200 Grade 0, 0603	Vishay-Dale	CRCW060310K0FKEA	0

## IMPORTANT NOTICE AND DISCLAIMER

TI PROVIDES TECHNICAL AND RELIABILITY DATA (INCLUDING DATA SHEETS), DESIGN RESOURCES (INCLUDING REFERENCE DESIGNS), APPLICATION OR OTHER DESIGN ADVICE, WEB TOOLS, SAFETY INFORMATION, AND OTHER RESOURCES "AS IS" AND WITH ALL FAULTS, AND DISCLAIMS ALL WARRANTIES, EXPRESS AND IMPLIED, INCLUDING WITHOUT LIMITATION ANY IMPLIED WARRANTIES OF MERCHANTABILITY, FITNESS FOR A PARTICULAR PURPOSE OR NON-INFRINGEMENT OF THIRD PARTY INTELLECTUAL PROPERTY RIGHTS.

These resources are intended for skilled developers designing with TI products. You are solely responsible for (1) selecting the appropriate TI products for your application, (2) designing, validating and testing your application, and (3) ensuring your application meets applicable standards, and any other safety, security, regulatory or other requirements.

These resources are subject to change without notice. TI grants you permission to use these resources only for development of an application that uses the TI products described in the resource. Other reproduction and display of these resources is prohibited. No license is granted to any other TI intellectual property right or to any third party intellectual property right. TI disclaims responsibility for, and you will fully indemnify TI and its representatives against, any claims, damages, costs, losses, and liabilities arising out of your use of these resources.

TI's products are provided subject to [TI's Terms of Sale](#) or other applicable terms available either on [ti.com](http://ti.com) or provided in conjunction with such TI products. TI's provision of these resources does not expand or otherwise alter TI's applicable warranties or warranty disclaimers for TI products.

TI objects to and rejects any additional or different terms you may have proposed.

Mailing Address: Texas Instruments, Post Office Box 655303, Dallas, Texas 75265  
Copyright © 2022, Texas Instruments Incorporated