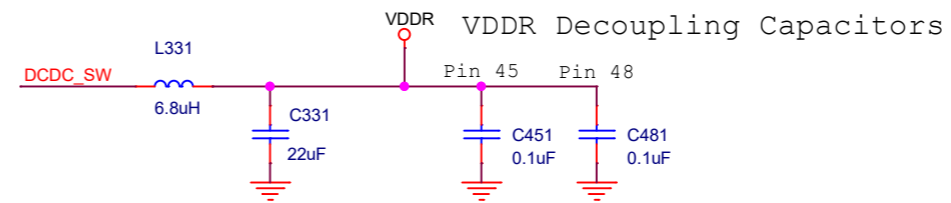
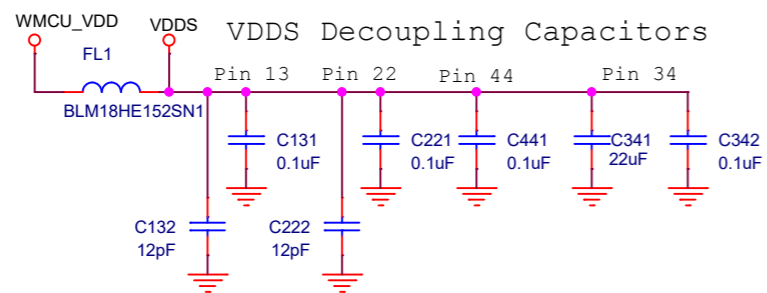
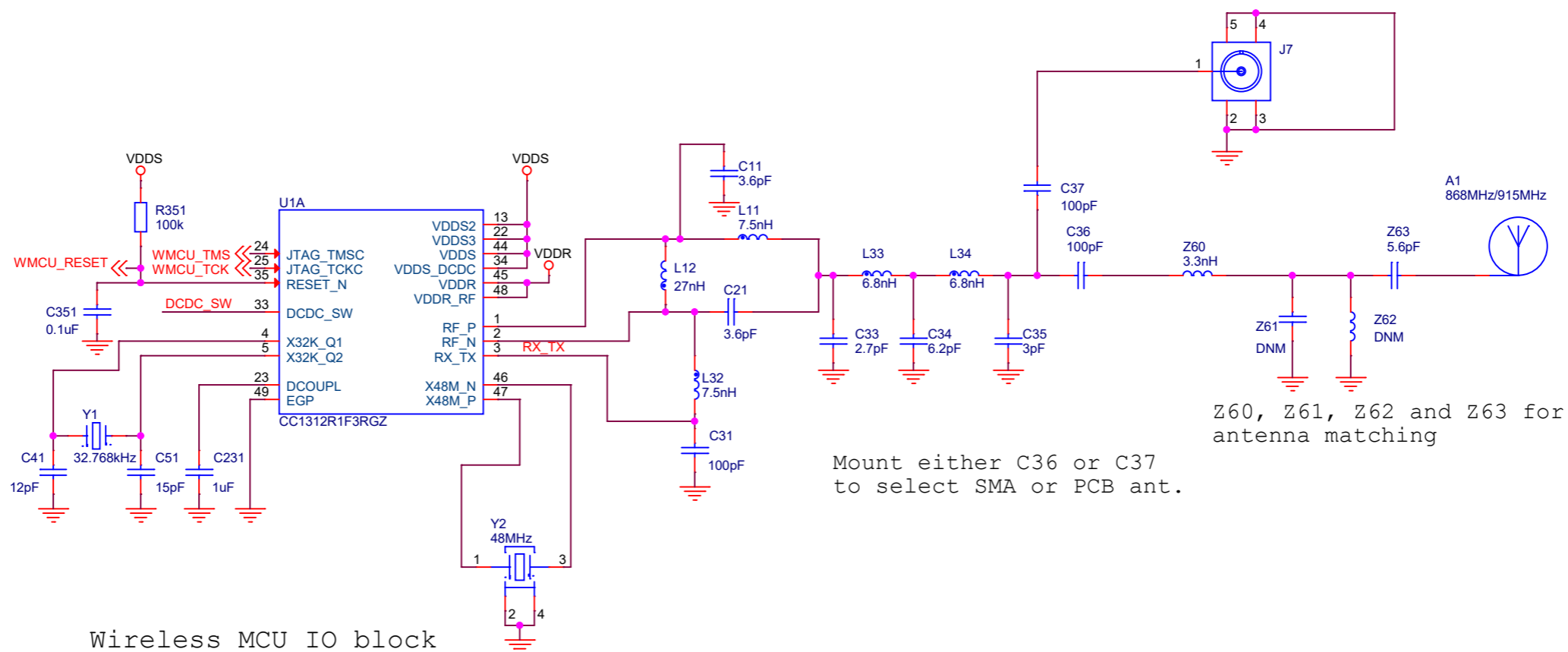


Wireless MCU RF



Place L331 and C331 close to pin 33.
Low inductance ground for C331



Z60, Z61, Z62 and Z63 for antenna matching

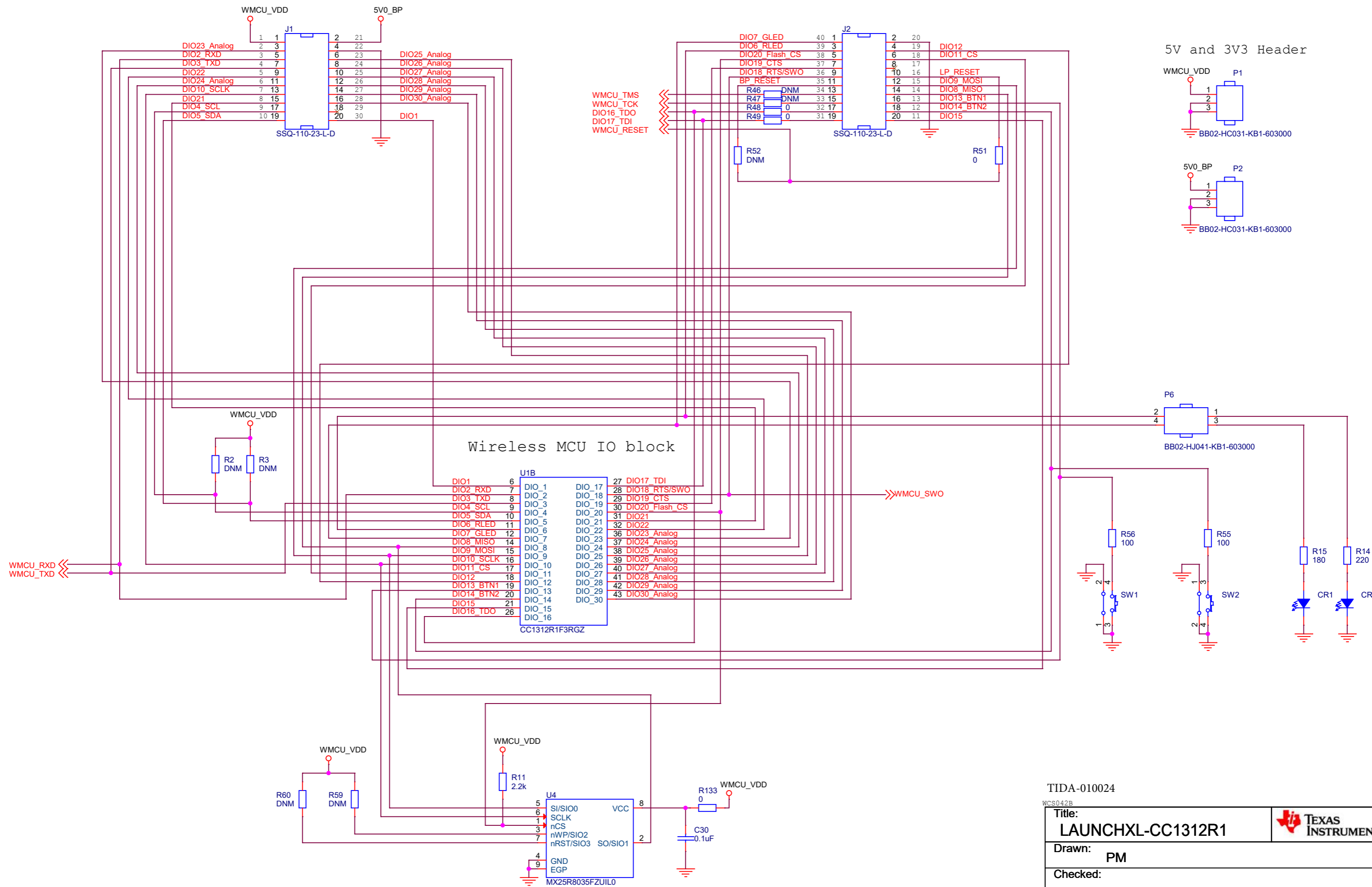
Mount either C36 or C37 to select SMA or PCB ant.

TIDA-010024

WCS042B

Title: LAUNCHXL-CC1312R1		
Drawn: PM		
Checked:		
Size: A3	Rev: B	Sheet: 1 of 7
Date: Thursday, January 04, 2018		

BoosterPack Headers and Peripherals



TIDA-010024

WCS042B

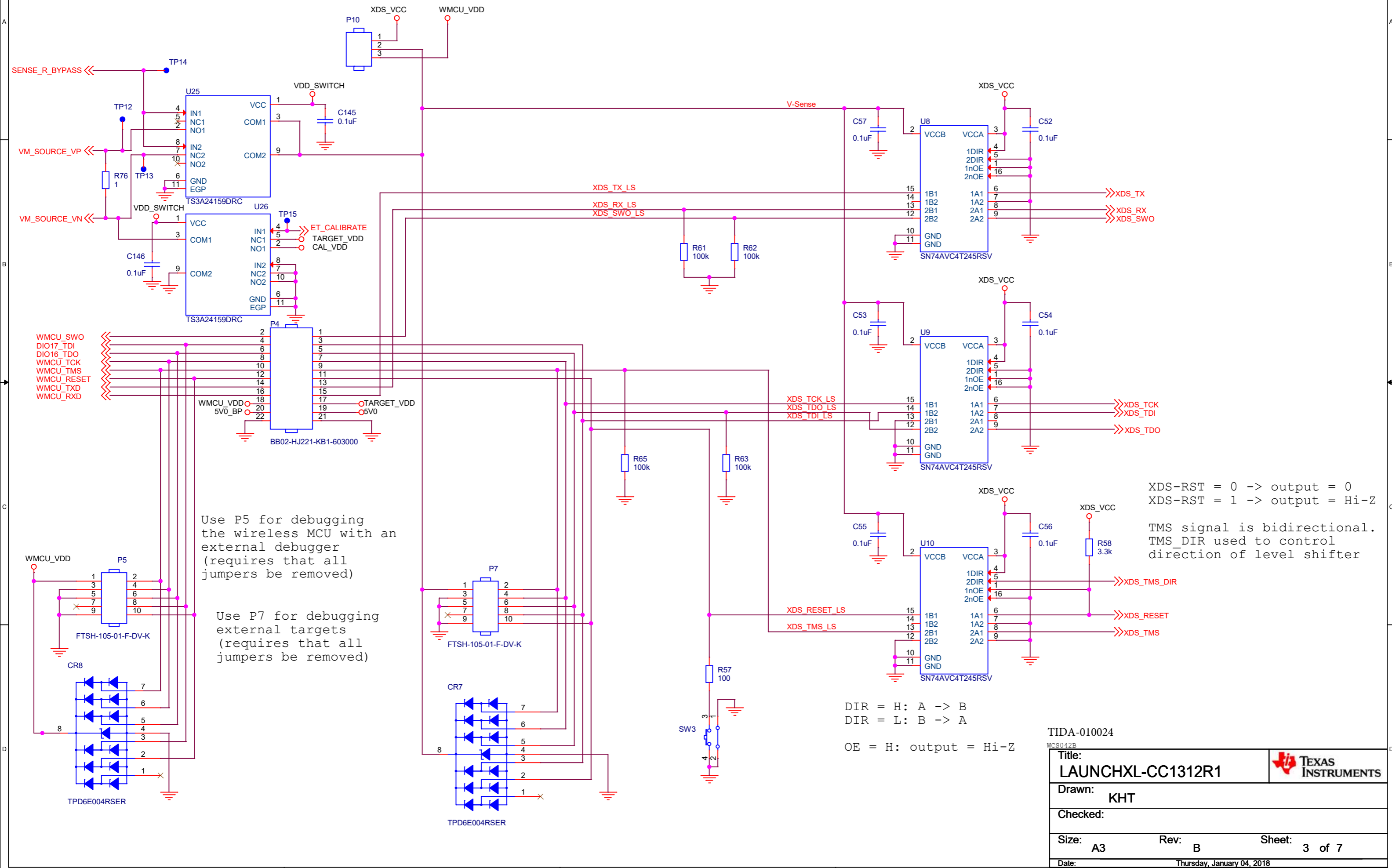
Title: LAUNCHXL-CC1312R1		
Drawn: PM		
Checked:		
Size: A3	Rev: B	Sheet: 2 of 7
Date: Thursday, January 04, 2018		

XDS110 Debugger Interface

P10 selects the voltage source for the level shifters

When powering the wireless MCU from the XDS supply, connect jumper between pins 1 and 2.

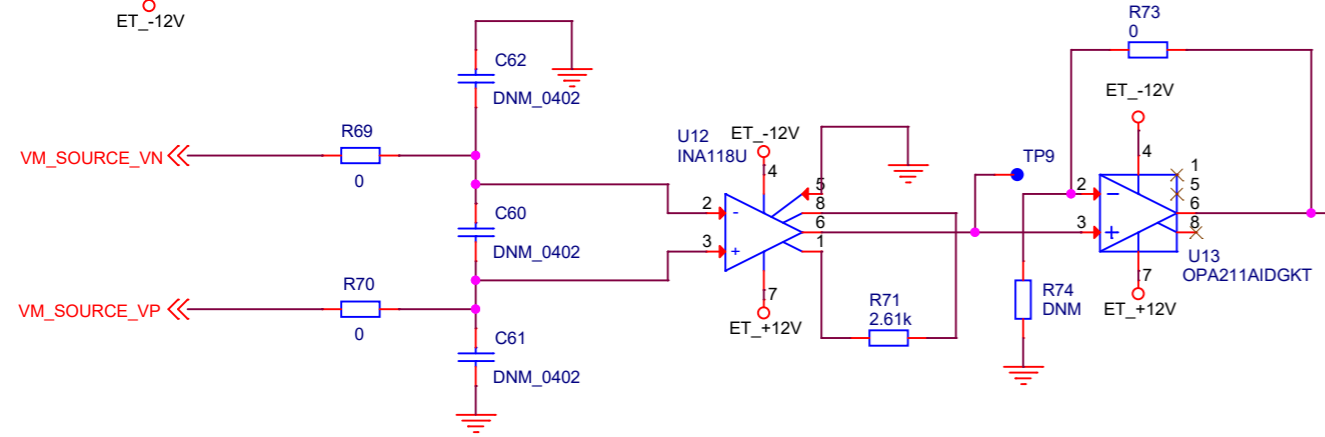
When powering the wireless MCU from the external supply, connect jumper between pins 2 and 3.



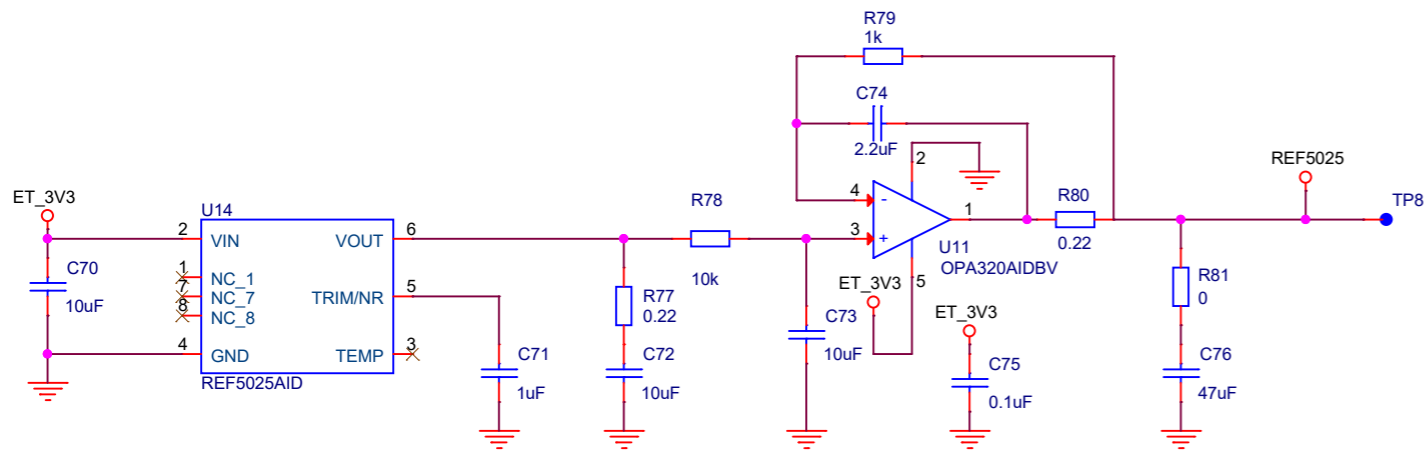
TIDA-010024		
WCS042B		
Title: LAUNCHXL-CC1312R1		TEXAS INSTRUMENTS
Drawn: KHT		
Checked:		
Size: A3	Rev: B	Sheet: 3 of 7
Date: Thursday, January 04, 2018		

EnergyTrace

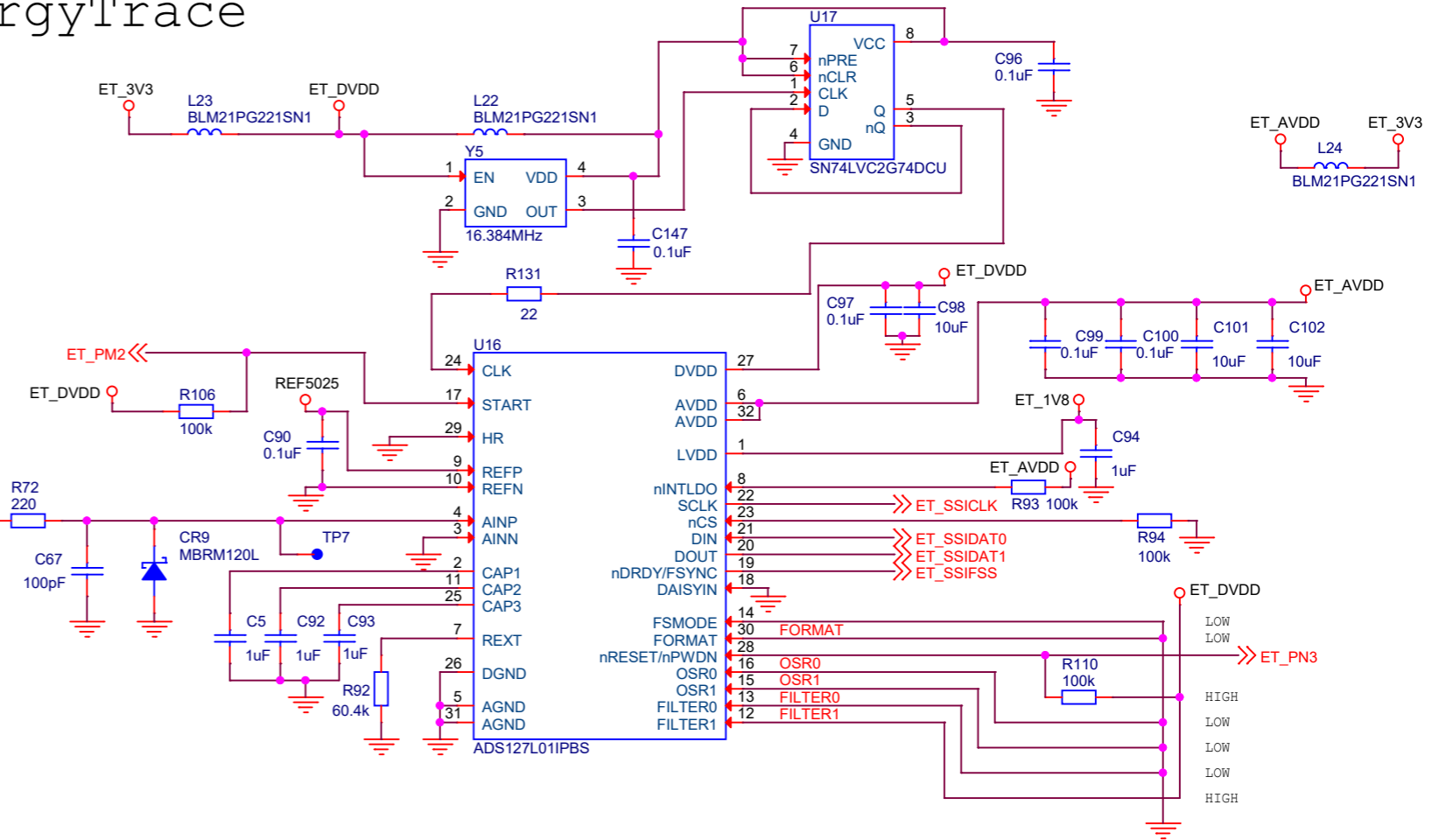
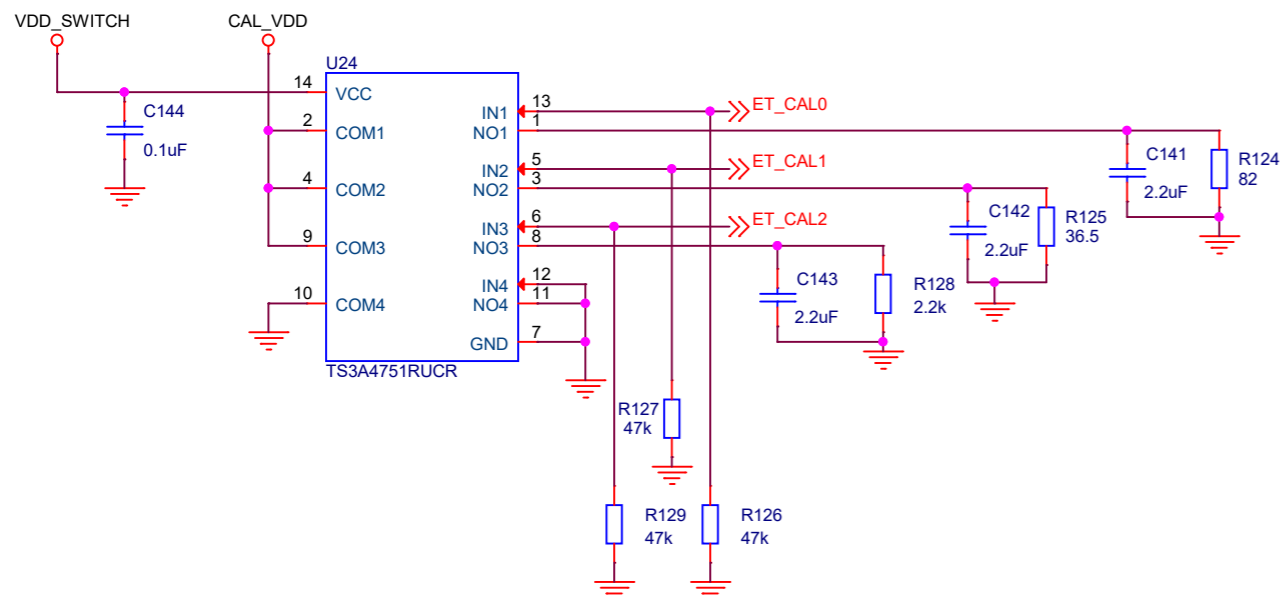
Front end



Voltage reference



Calibration

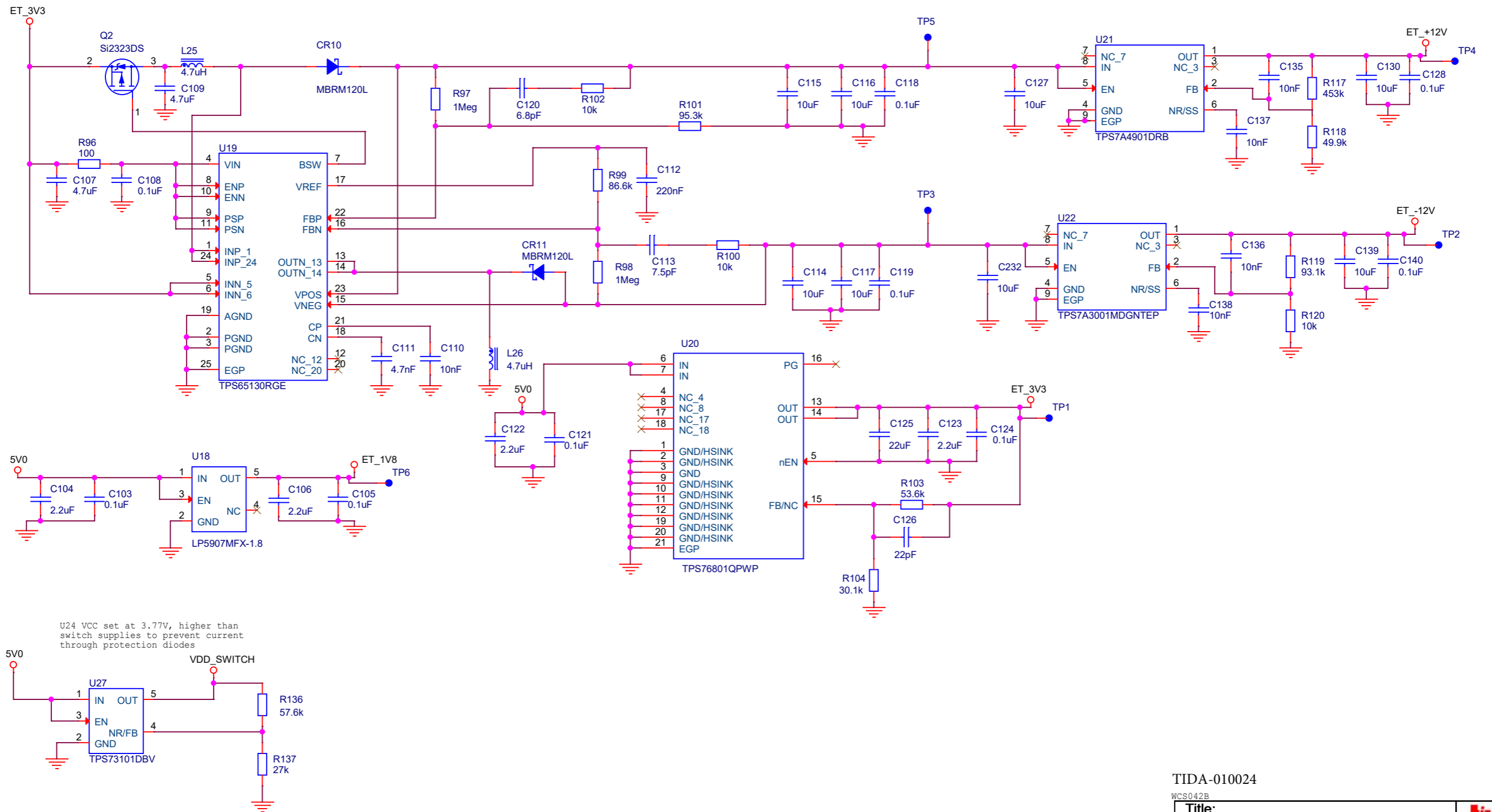


TIDA-010024

WCS042B


Title: LAUNCHXL-CC1312R1		
Drawn: PM		
Checked:		
Size: A3	Rev: B	Sheet: 5 of 7
Date: Thursday, January 04, 2018		

EnergyTrace Power Supply

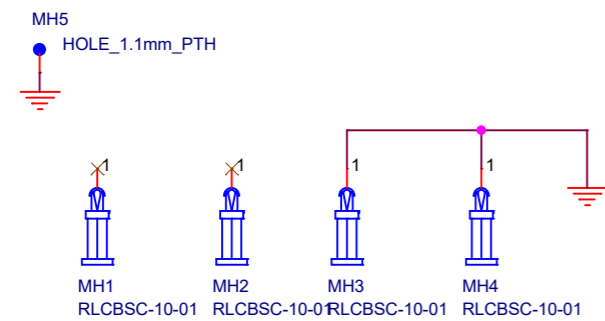


TIDA-010024

WCS042B

Title: LAUNCHXL-CC1312R1		
Drawn: KHT		
Checked:		
Size: A3	Rev: B	Sheet: 6 of 7
Date: Thursday, January 04, 2018		

Mechanical



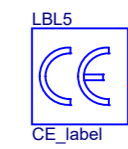
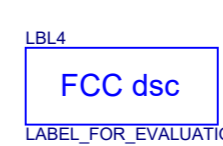
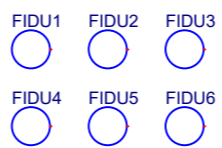
Jumpers to be mounted
on header P4



Jumper to be mounted on P10



Jumpers to be mounted on P6



TIDA-010024

WCS042B

Title: LAUNCHXL-CC1312R1		
Drawn: PM		
Checked:		
Size: A3	Rev: B	Sheet: 7 of 7
Date: Thursday, January 04, 2018		

IMPORTANT NOTICE AND DISCLAIMER

TI PROVIDES TECHNICAL AND RELIABILITY DATA (INCLUDING DATASHEETS), DESIGN RESOURCES (INCLUDING REFERENCE DESIGNS), APPLICATION OR OTHER DESIGN ADVICE, WEB TOOLS, SAFETY INFORMATION, AND OTHER RESOURCES "AS IS" AND WITH ALL FAULTS, AND DISCLAIMS ALL WARRANTIES, EXPRESS AND IMPLIED, INCLUDING WITHOUT LIMITATION ANY IMPLIED WARRANTIES OF MERCHANTABILITY, FITNESS FOR A PARTICULAR PURPOSE OR NON-INFRINGEMENT OF THIRD PARTY INTELLECTUAL PROPERTY RIGHTS.

These resources are intended for skilled developers designing with TI products. You are solely responsible for (1) selecting the appropriate TI products for your application, (2) designing, validating and testing your application, and (3) ensuring your application meets applicable standards, and any other safety, security, or other requirements. These resources are subject to change without notice. TI grants you permission to use these resources only for development of an application that uses the TI products described in the resource. Other reproduction and display of these resources is prohibited. No license is granted to any other TI intellectual property right or to any third party intellectual property right. TI disclaims responsibility for, and you will fully indemnify TI and its representatives against, any claims, damages, costs, losses, and liabilities arising out of your use of these resources.

TI's products are provided subject to TI's Terms of Sale (www.ti.com/legal/termsofsale.html) or other applicable terms available either on ti.com or provided in conjunction with such TI products. TI's provision of these resources does not expand or otherwise alter TI's applicable warranties or warranty disclaimers for TI products.

Mailing Address: Texas Instruments, Post Office Box 655303, Dallas, Texas 75265
Copyright © 2018, Texas Instruments Incorporated