

START1, START2 should be symmetrical up to where they join to form COM_START.
Can copy layout from TDC7201 ZAX EVM

Place supply decoupling caps and feedback network components as close to the pins as possible.
Cut out planes under input and output pins

Place the jumpers as shown above as the default configuration

PCB Number: TIDA-060025
PCB Rev: E1

PCB LOGO
FCC disclaimer

PCB LOGO
WEEE logo

FID1 FID2 FID3
FID4 FID5 FID6

Orderable: N/A	Designed for: Public Release	Mod. Date: 11/12/2018
TID #: TIDA-060025	Project Title: OPA858 Reference Design EVM	
Number: TIDA-060025 Rev: E1	Sheet Title: SV601269A	
SVN Rev: Version control disabled	Assembly Variant: 001	Sheet: 1 of 2
Drawn By: Michael Wong	File: TIDA-060025E1_Reciever_and_TDC.SchDoc	Size: B
Engineer: Jacob Freet	Contact: http://www.ti.com/support	

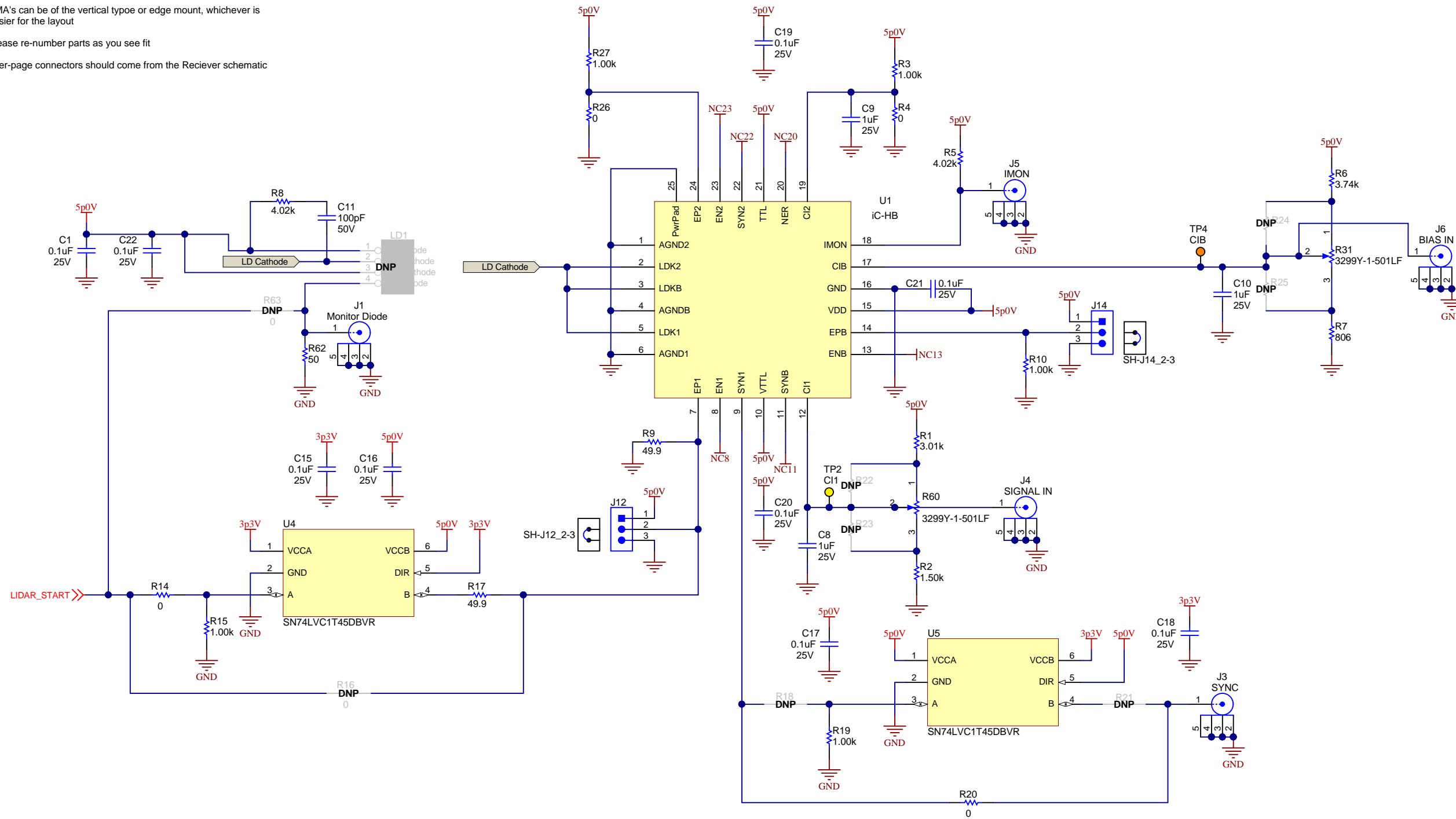
Texas Instruments and/or its licensors do not warrant the accuracy or completeness of this specification or any information contained therein. Texas Instruments and/or its licensors do not warrant that this design will meet the specifications, will be suitable for your application or fit for any particular purpose, or will operate in an implementation. Texas Instruments and/or its licensors do not warrant that the design is production worthy. You should completely validate and test your design implementation to confirm the system functionality for your application.



SMA's can be of the vertical type or edge mount, whichever is easier for the layout

Please re-number parts as you see fit

Inter-page connectors should come from the Receiver schematic



Texas Instruments and/or its licensors do not warrant the accuracy or completeness of this specification or any information contained therein. Texas Instruments and/or its licensors do not warrant that this design will meet the specifications, will be suitable for your application or fit for any particular purpose, or will operate in an implementation. Texas Instruments and/or its licensors do not warrant that the design is production worthy. You should completely validate and test your design implementation to confirm the system functionality for your application.

Orderable: N/A	Designed for: Public Release	Mod. Date: 11/7/2018	TEXAS INSTRUMENTS
TID #: TIDA-060025	Project Title: OPA858 Reference Design EVM	Sheet: 2 of 2	
Number: TIDA-060025	Rev: E1	Assembly Variant: 001	http://www.ti.com
SVN Rev: Version control disabled	File: TIDA-060025E1_Laser_Driver.SchDoc	Size: B	
Drawn By: Jacob Freet	Contact: http://www.ti.com/support		



IMPORTANT NOTICE AND DISCLAIMER

TI PROVIDES TECHNICAL AND RELIABILITY DATA (INCLUDING DATASHEETS), DESIGN RESOURCES (INCLUDING REFERENCE DESIGNS), APPLICATION OR OTHER DESIGN ADVICE, WEB TOOLS, SAFETY INFORMATION, AND OTHER RESOURCES "AS IS" AND WITH ALL FAULTS, AND DISCLAIMS ALL WARRANTIES, EXPRESS AND IMPLIED, INCLUDING WITHOUT LIMITATION ANY IMPLIED WARRANTIES OF MERCHANTABILITY, FITNESS FOR A PARTICULAR PURPOSE OR NON-INFRINGEMENT OF THIRD PARTY INTELLECTUAL PROPERTY RIGHTS.

These resources are intended for skilled developers designing with TI products. You are solely responsible for (1) selecting the appropriate TI products for your application, (2) designing, validating and testing your application, and (3) ensuring your application meets applicable standards, and any other safety, security, or other requirements. These resources are subject to change without notice. TI grants you permission to use these resources only for development of an application that uses the TI products described in the resource. Other reproduction and display of these resources is prohibited. No license is granted to any other TI intellectual property right or to any third party intellectual property right. TI disclaims responsibility for, and you will fully indemnify TI and its representatives against, any claims, damages, costs, losses, and liabilities arising out of your use of these resources.

TI's products are provided subject to TI's Terms of Sale (www.ti.com/legal/termsofsale.html) or other applicable terms available either on ti.com or provided in conjunction with such TI products. TI's provision of these resources does not expand or otherwise alter TI's applicable warranties or warranty disclaimers for TI products.

Mailing Address: Texas Instruments, Post Office Box 655303, Dallas, Texas 75265
Copyright © 2018, Texas Instruments Incorporated