

# AMC3306M25 具有集成直流/直流转换器的高精度、 $\pm 250\text{mV}$ 输入增强型隔离式 $\Delta$ - $\Sigma$ 调制器

## 1 特性

- 3.3V 或 5V 单电源，具有集成直流/直流转换器
- $\pm 250\text{mV}$  输入电压范围，针对使用分流电阻器测量电流进行了优化
- 低直流误差：
  - 失调电压误差： $\pm 50\mu\text{V}$  (最大值)
  - 温漂： $\pm 1\mu\text{V}/^\circ\text{C}$  (最大值)
  - 增益误差： $\pm 0.2\%$  (最大值)
  - 增益漂移： $\pm 35\text{ppm}/^\circ\text{C}$  (最大值)
- 高 CMTI： $75\text{kV}/\mu\text{s}$  (最小值)
- 系统级诊断功能
- 低 EMI：符合 CISPR-11 和 CISPR-25 标准
- 安全相关认证：
  - 符合 DIN VDE V 0884-11 标准的  $6000\text{V}_{\text{PEAK}}$  增强型隔离
  - 符合 UL1577 标准且长达 1 分钟的  $4250\text{V}_{\text{RMS}}$  隔离
- 可在工业级工作温度范围内正常工作： $-40^\circ\text{C}$  至  $+125^\circ\text{C}$

## 2 应用

- 基于分流器的紧凑型隔离式电流感应，用于：
  - 保护继电器
  - 电机驱动器
  - 电源
  - 光电逆变器

## 3 说明

AMC3306M25 是一款精密的隔离式  $\Delta$ - $\Sigma$  调制器，针对基于分流器的电流测量进行了优化。这款完全集成的隔离式直流/直流转换器可实现器件低侧的单电源运行，使该器件成为空间受限应用的独特解决方案。增强型电容式隔离栅已通过 VDE V 0884-11 和 UL1577 认证，并支持高达  $1.2\text{kV}_{\text{RMS}}$  的工作电压。

该隔离栅可将系统中以不同共模电压电平运行的各器件隔开，并保护电压较低的器件免受高电压冲击。

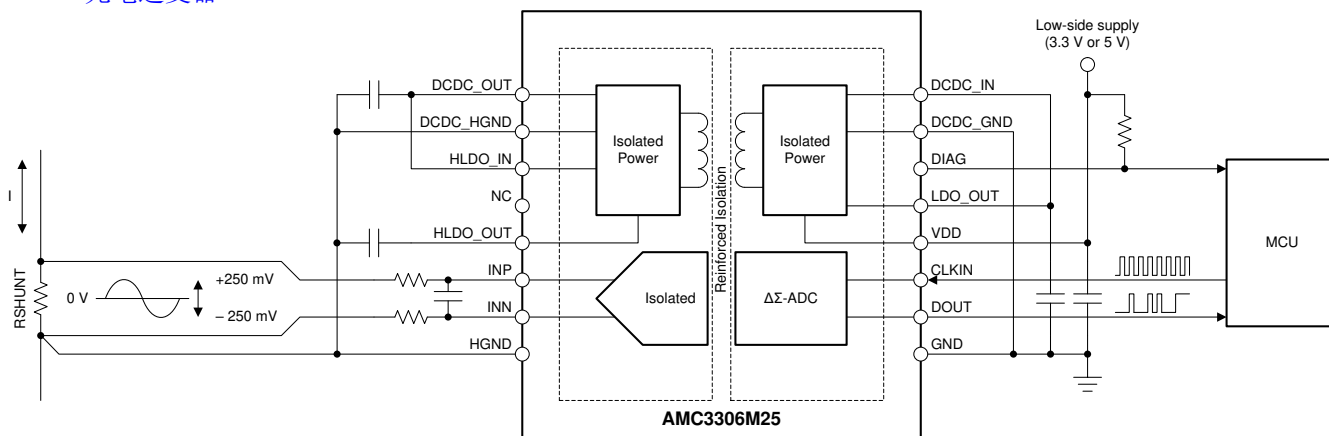
AMC3306M25 的输入针对直接连接低阻抗分流电阻器或其他具有低信号电位的低阻抗电压源的情况进行了优化。出色的直流精度和低温漂支持在  $-40^\circ\text{C}$  至  $+125^\circ\text{C}$  的工业级工作温度范围内进行精确的电流测量。

通过使用数字滤波器（例如  $\text{sinc}^3$  滤波器）来抽取位流，该器件可在  $78\text{kSPS}$  数据速率下实现 16 位分辨率和  $85\text{dB}$  的动态范围。

### 器件信息(1)

器件型号	封装	封装尺寸 (标称值)
AMC3306M25	SOIC (16)	10.30mm x 7.50mm

(1) 如需了解所有可用封装，请参阅数据表末尾的可订购产品附录。



典型应用



## Table of Contents

<b>1 特性</b> .....	1	7.2 Functional Block Diagram.....	20
<b>2 应用</b> .....	1	7.3 Feature Description.....	21
<b>3 说明</b> .....	1	7.4 Device Functional Modes.....	25
<b>4 Revision History</b> .....	2	<b>8 Application and Implementation</b> .....	26
<b>5 Pin Configuration and Functions</b> .....	4	8.1 Application Information.....	26
<b>6 Specifications</b> .....	5	8.2 Typical Application.....	27
6.1 Absolute Maximum Ratings .....	5	<b>9 Power Supply Recommendations</b> .....	30
6.2 ESD Ratings .....	5	<b>10 Layout</b> .....	31
6.3 Recommended Operating Conditions .....	5	10.1 Layout Guidelines.....	31
6.4 Thermal Information .....	6	10.2 Layout Example.....	31
6.5 Power Ratings .....	6	<b>11 Device and Documentation Support</b> .....	32
6.6 Insulation Specifications .....	7	11.1 Device Support.....	32
6.7 Safety-Related Certifications .....	8	11.2 Documentation Support.....	32
6.8 Safety Limiting Values .....	8	11.3 接收文档更新通知.....	32
6.9 Electrical Characteristics .....	9	11.4 支持资源.....	32
6.10 Switching Characteristics .....	11	11.5 Trademarks.....	32
6.11 Timing Diagrams.....	11	11.6 Electrostatic Discharge Caution.....	32
6.12 Insulation Characteristics Curves.....	12	11.7 Glossary.....	32
6.13 Typical Characteristics.....	13	<b>12 Mechanical, Packaging, and Orderable Information</b> .....	32
<b>7 Detailed Description</b> .....	20		
7.1 Overview.....	20		

## 4 Revision History

注：以前版本的页码可能与当前版本的页码不同

Changes from Revision A (September 2020) to Revision B (April 2021)	Page
• 添加了低 EMI 要点并更改了特性部分的最后一个要点.....	1
• 删除了应用部分中的电力输送系统要点.....	1
• 更改了说明部分.....	1
• Changed <i>Absolute Maximum Ratings</i> : changed max for <i>DIAG</i> pin from 5.5 V to 6.5 V.....	5
• Changed overvoltage category for rated mains voltage $\leq 600$ V from I-IV to I-III and for rated mains voltage $\leq 1000$ V from I-III to I-II .....	7
• Changed <i>Typical Characteristics</i> section. Removed histograms.....	13
• Changed <i>Overview</i> section (editorial changes only).....	20
• Changed <i>Functional Block Diagram</i> figure.....	20
• Changed <i>Analog Input</i> section.....	21
• Changed <i>Modulator</i> section.....	22
• Changed <i>Isolation Channel Signal Transmission</i> section.....	22
• Updated the <i>Isolated DC/DC Converter</i> section. Clarified that the low-side LDO is not intended for driving external loads.....	24
• Added initial paragraph to <i>Application Information</i> section.....	26
• Changed <i>Solar Inverter Application</i> section (editorial changes only).....	27
• Changed <i>shunt</i> to <i>RSHUNT</i> in <i>Design Requirements</i> table.....	27
• Changed <i>Differential Input Filter</i> figure.....	28
• Changed referenced family of devices from <i>TMS320F2807x</i> family to <i>C2000</i> or <i>Sitara</i> families in <i>Bitstream Filtering</i> section.....	28
• Changed <i>What To Do and What Not To Do</i> section.....	29
• Changed the <i>Decoupling the AMC3306M25</i> figure in the <i>Power Supply Recommendations</i> section.....	30
• Changed <i>Recommended Layout of the AMC3306M25</i> figure.....	31

---

**Changes from Revision Original (May 2020) to Revision A (September 2020)**

**Page**

- 将文档状态从预告信息更改为量产数据..... **1**
-

## 5 Pin Configuration and Functions

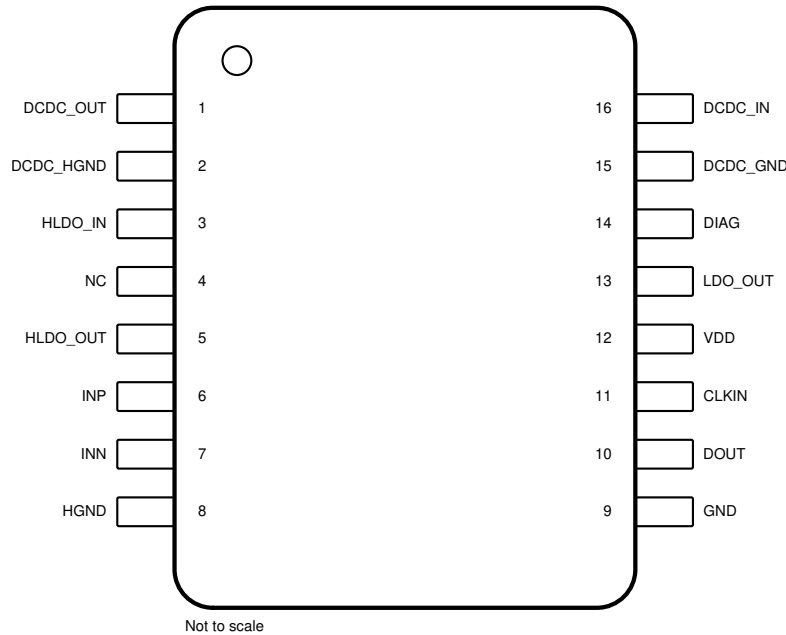


图 5-1. DWE Package, 16-Pin SOIC, Top View

表 5-1. Pin Functions

PIN		TYPE	DESCRIPTION
NO.	NAME		
1	DCDC_OUT	Power	High-side output of the DC/DC converter; connect this pin to the HLDO_IN pin. <sup>(1)</sup>
2	DCDC_HGND	High-side Power Ground	High-side ground reference for the DC/DC converter; connect this pin to the HGND pin.
3	HLDO_IN	Power	Input of the high-side LDO; connect this pin to the DCDC_OUT pin. <sup>(1)</sup>
4	NC	—	No internal connection. Connect this pin to the high-side ground or leave unconnected (floating).
5	HLDO_OUT	Power	Output of the high-side LDO. <sup>(1)</sup>
6	INP	Analog Input	Noninverting analog input. Either INP or INN must have a DC current path to HGND to define the common-mode input voltage. <sup>(2)</sup>
7	INN	Analog Input	Inverting analog input. Either INP or INN must have a DC current path to HGND to define the common-mode input voltage. <sup>(2)</sup>
8	HGND	High-side Signal Ground	High-side analog signal ground; connect this pin to the DCDC_HGND pin.
9	GND	Low-side Signal Ground	Low-side analog signal ground; connect this pin to the DCDC_GND pin.
10	DOUT	Digital Output	Modulator data output.
11	CLKIN	Digital Input	Modulator clock input with internal pulldown resistor (typical value: 1.5 M $\Omega$ ).
12	VDD	Low-side Power	Low-side power supply. <sup>(1)</sup>
13	LDO_OUT	Power	Output of the low-side LDO; connect this pin to the DCDC_IN pin. The output of the LDO must not be loaded by external circuitry. <sup>(1)</sup>
14	DIAG	Digital Output	Active-low, open-drain status indicator output; connect this pin to the pullup supply (for example, VDD) using a resistor or leave this pin floating if not used.
15	DCDC_GND	Low-side Power Ground	Low-side ground reference for the DC/DC converter; connect this pin to the GND pin.
16	DCDC_IN	Power	Low-side input of the DC/DC converter; connect this pin to the LDO_OUT pin. <sup>(1)</sup>

(1) See the [Power Supply Recommendations](#) section for power-supply decoupling recommendations.

(2) See the [Layout](#) section for details.

## 6 Specifications

### 6.1 Absolute Maximum Ratings

see (1)

		MIN	MAX	UNIT
Power-supply voltage	VDD to GND	- 0.3	6.5	V
Analog input voltage	INP, INN	HGND - 6	V <sub>HLDO_OUT</sub> + 0.5	V
Digital input voltage	CLKIN	GND - 0.5	VDD + 0.5	V
Digital output voltage	DOUT	GND - 0.5	VDD + 0.5	V
	DIAG	GND - 0.5	6.5	
Input current	Continuous, any pin except power-supply pins	- 10	10	mA
Temperature	Junction, T <sub>J</sub>		150	°C
	Storage, T <sub>stg</sub>	- 65	150	

- (1) Stresses beyond those listed under *Absolute Maximum Ratings* may cause permanent damage to the device. These are stress ratings only, and do not imply functional operation of the device at these or any other conditions beyond those indicated under *Recommended Operating Conditions*. Exposure to absolute-maximum-rated conditions for extended periods may affect device reliability.

### 6.2 ESD Ratings

			VALUE	UNIT
V <sub>(ESD)</sub>	Electrostatic discharge	Human-body model (HBM), per ANSI/ESDA/JEDEC JS-001 <sup>(1)</sup>	±2000	V
		Charged-device model (CDM), per JEDEC specification JESD22-C101 <sup>(2)</sup>	±1000	

- (1) JEDEC document JEP155 states that 500-V HBM allows safe manufacturing with a standard ESD control process.  
(2) JEDEC document JEP157 states that 250-V CDM allows safe manufacturing with a standard ESD control process.

### 6.3 Recommended Operating Conditions

over operating ambient temperature range (unless otherwise noted)

				MIN	NOM	MAX	UNIT
<b>POWER SUPPLY</b>							
VDD	Low-side power supply	VDD to GND		3	3.3	5.5	V
<b>ANALOG INPUT</b>							
V <sub>Clipping</sub>	Differential input voltage before clipping output	V <sub>IN</sub> = V <sub>INP</sub> - V <sub>INN</sub>		±320			mV
V <sub>FSR</sub>	Specified linear differential full-scale voltage	V <sub>IN</sub> = V <sub>INP</sub> - V <sub>INN</sub>		- 250		250	mV
	Absolute common-mode input voltage <sup>(1)</sup>	(V <sub>INP</sub> + V <sub>INN</sub> ) / 2 to HGND		- 2		V <sub>HLDO_OUT</sub>	V
V <sub>CM</sub>	Operating common-mode input voltage	(V <sub>INP</sub> + V <sub>INN</sub> ) / 2 to HGND		- 0.16		0.9	V
<b>DIGITAL I/O</b>							
V <sub>IO</sub>	Digital input / output voltage			0		VDD	V
f <sub>CLKIN</sub>	Input clock frequency			5	20	21	MHz
	Input clock duty cycle	5 MHz ≤ f <sub>CLKIN</sub> ≤ 21 MHz		40%	50%	60%	
<b>TEMPERATURE RANGE</b>							
T <sub>A</sub>	Specified ambient temperature			- 40		125	°C

- (1) Steady-state voltage supported by the device in case of a system failure. See specified common-mode input voltage V<sub>CM</sub> for normal operation. Observe analog input voltage range as specified in the *Absolute Maximum Ratings* table.

## 6.4 Thermal Information

THERMAL METRIC <sup>(1)</sup>		AMC3306M25	
		DWE (SOIC)	
		16 PINS	
			UNIT
$R_{\theta JA}$	Junction-to-ambient thermal resistance	73.5	°C/W
$R_{\theta JC(top)}$	Junction-to-case (top) thermal resistance	31	°C/W
$R_{\theta JB}$	Junction-to-board thermal resistance	44	°C/W
$\psi_{JT}$	Junction-to-top characterization parameter	16.7	°C/W
$\psi_{JB}$	Junction-to-board characterization parameter	42.8	°C/W
$R_{\theta JC(bot)}$	Junction-to-case (bottom) thermal resistance	n/a	°C/W

(1) For more information about traditional and new thermal metrics, see the [Semiconductor and IC Package Thermal Metrics](#) application report.

## 6.5 Power Ratings

PARAMETER		TEST CONDITIONS	VALUE	UNIT
$P_D$	Maximum power dissipation	VDD = 5.5 V	231	mW
		VDD = 3.6 V	151	

## 6.6 Insulation Specifications

over operating ambient temperature range (unless otherwise noted)

PARAMETER		TEST CONDITIONS	VALUE	UNIT
<b>GENERAL</b>				
CLR	External clearance <sup>(1)</sup>	Shortest pin-to-pin distance through air	$\geq 8$	mm
CPG	External creepage <sup>(1)</sup>	Shortest pin-to-pin distance across the package surface	$\geq 8$	mm
DTI	Distance through the insulation	Minimum internal gap (internal clearance - capacitive signal isolation)	$\geq 21$	$\mu\text{m}$
		Minimum internal gap (internal clearance - transformer power isolation)	$\geq 120$	
CTI	Comparative tracking index	DIN EN 60112 (VDE 0303-11); IEC 60112	$\geq 600$	V
	Material group	According to IEC 60664-1	I	
	Overvoltage category per IEC 60664-1	Rated mains voltage $\leq 600 V_{\text{RMS}}$	I-III	
		Rated mains voltage $\leq 1000 V_{\text{RMS}}$	I-II	
<b>DIN VDE V 0884-11 (VDE V 0884-11): 2017-01<sup>(2)</sup></b>				
$V_{\text{IORM}}$	Maximum repetitive peak isolation voltage	At AC voltage (bipolar)	1700	$V_{\text{PK}}$
$V_{\text{IOWM}}$	Maximum-rated isolation working voltage	At AC voltage (sine wave)	1200	$V_{\text{RMS}}$
		At DC voltage	1700	$V_{\text{DC}}$
$V_{\text{IOTM}}$	Maximum transient isolation voltage	$V_{\text{TEST}} = V_{\text{IOTM}}$ , $t = 60 \text{ s}$ (qualification test)	6000	$V_{\text{PK}}$
		$V_{\text{TEST}} = 1.2 \times V_{\text{IOTM}}$ , $t = 1 \text{ s}$ (100% production test)	7200	$V_{\text{PK}}$
$V_{\text{IOSM}}$	Maximum surge isolation voltage <sup>(3)</sup>	Test method per IEC 60065, 1.2/50- $\mu\text{s}$ waveform, $V_{\text{TEST}} = 1.6 \times V_{\text{IOSM}} = 10000 V_{\text{PK}}$ (qualification)	6250	$V_{\text{PK}}$
$q_{\text{pd}}$	Apparent charge <sup>(4)</sup>	Method a, after input/output safety test subgroup 2 / 3, $V_{\text{ini}} = V_{\text{IOTM}}$ , $t_{\text{ini}} = 60 \text{ s}$ , $V_{\text{pd(m)}} = 1.2 \times V_{\text{IORM}}$ , $t_{\text{m}} = 10 \text{ s}$	$\leq 5$	$\text{pC}$
		Method a, after environmental tests subgroup 1, $V_{\text{ini}} = V_{\text{IOTM}}$ , $t_{\text{ini}} = 60 \text{ s}$ , $V_{\text{pd(m)}} = 1.6 \times V_{\text{IORM}}$ , $t_{\text{m}} = 10 \text{ s}$	$\leq 5$	
		Method b1, at routine test (100% production) and preconditioning (type test), $V_{\text{ini}} = V_{\text{IOTM}}$ , $t_{\text{ini}} = 1 \text{ s}$ , $V_{\text{pd(m)}} = 1.875 \times V_{\text{IORM}}$ , $t_{\text{m}} = 1 \text{ s}$	$\leq 5$	
$C_{\text{IO}}$	Barrier capacitance, input to output <sup>(5)</sup>	$V_{\text{IO}} = 0.5 V_{\text{PP}}$ at 1 MHz	$\sim 3.5$	$\text{pF}$
$R_{\text{IO}}$	Insulation resistance, input to output <sup>(5)</sup>	$V_{\text{IO}} = 500 \text{ V}$ at $T_{\text{A}} = 25^{\circ}\text{C}$	$> 10^{12}$	$\Omega$
		$V_{\text{IO}} = 500 \text{ V}$ at $100^{\circ}\text{C} \leq T_{\text{A}} \leq 125^{\circ}\text{C}$	$> 10^{11}$	
		$V_{\text{IO}} = 500 \text{ V}$ at $T_{\text{S}} = 150^{\circ}\text{C}$	$> 10^9$	
	Pollution degree		2	
	Climatic category		40/125/21	
<b>UL1577</b>				
$V_{\text{ISO}}$	Withstand isolation voltage	$V_{\text{TEST}} = V_{\text{ISO}} = 4250 V_{\text{RMS}}$ or $6000 V_{\text{DC}}$ , $t = 60 \text{ s}$ (qualification), $V_{\text{TEST}} = 1.2 \times V_{\text{ISO}}$ , $t = 1 \text{ s}$ (100% production test)	4250	$V_{\text{RMS}}$

- (1) Apply creepage and clearance requirements according to the specific equipment isolation standards of an application. Care must be taken to maintain the creepage and clearance distance of a board design to ensure that the mounting pads of the isolator on the printed circuit board (PCB) do not reduce this distance. Creepage and clearance on a PCB become equal in certain cases. Techniques such as inserting grooves, ribs, or both on a PCB are used to help increase these specifications.
- (2) This coupler is suitable for *safe electrical insulation* only within the safety ratings. Compliance with the safety ratings must be ensured by means of suitable protective circuits.
- (3) Testing is carried out in air or oil to determine the intrinsic surge immunity of the isolation barrier.
- (4) Apparent charge is electrical discharge caused by a partial discharge (pd).
- (5) All pins on each side of the barrier are tied together, creating a two-pin device.

## 6.7 Safety-Related Certifications

VDE	UL
Certified according to DIN VDE V 0884-11 (VDE V 0884-11): 2017-01, DIN EN 60950-1 (VDE 0805 Teil 1): 2014-08, and DIN EN 60065 (VDE 0860): 2005-11	Recognized under 1577 component recognition and CSA component acceptance NO 5 programs
Reinforced insulation	Single protection
Certificate number: 40040142	File number: E181974

## 6.8 Safety Limiting Values

Safety limiting<sup>(1)</sup> intends to minimize potential damage to the isolation barrier upon failure of input or output circuitry. A failure of the I/O can allow low resistance to ground or the supply and, without current limiting, dissipate sufficient power to over-heat the die and damage the isolation barrier potentially leading to secondary system failures.

PARAMETER		TEST CONDITIONS	MIN	TYP	MAX	UNIT
I <sub>S</sub>	Safety input, output, or supply current	R <sub>θJA</sub> = 73.5°C/W, VDD = 5.5 V, T <sub>J</sub> = 150°C, T <sub>A</sub> = 25°C			309	mA
		R <sub>θJA</sub> = 73.5°C/W, VDD = 3.6 V, T <sub>J</sub> = 150°C, T <sub>A</sub> = 25°C			472	
P <sub>S</sub>	Safety input, output, or total power	R <sub>θJA</sub> = 73.5°C/W, T <sub>J</sub> = 150°C, T <sub>A</sub> = 25°C			1700	mW
T <sub>S</sub>	Maximum safety temperature				150	°C

- (1) The maximum safety temperature, T<sub>S</sub>, has the same value as the maximum junction temperature, T<sub>J</sub>, specified for the device. The I<sub>S</sub> and P<sub>S</sub> parameters represent the safety current and safety power, respectively. Do not exceed the maximum limits of I<sub>S</sub> and P<sub>S</sub>. These limits vary with the ambient temperature, T<sub>A</sub>.

The junction-to-air thermal resistance, R<sub>θJA</sub>, in the [Thermal Information](#) table is that of a device installed on a high-K test board for leaded surface-mount packages. Use these equations to calculate the value for each parameter:

$T_J = T_A + R_{\theta JA} \times P$ , where P is the power dissipated in the device.

$T_{J(max)} = T_S = T_A + R_{\theta JA} \times P_S$ , where T<sub>J(max)</sub> is the maximum junction temperature.

$P_S = I_S \times VDD_{max}$ , where VDD<sub>max</sub> is the maximum low-side voltage.



## 6.9 Electrical Characteristics

all minimum and maximum specifications are at  $T_A = -40^\circ\text{C}$  to  $+125^\circ\text{C}$ ,  $V_{DD} = 3.0\text{ V}$  to  $5.5\text{ V}$ ,  $\text{INP} = -250\text{ mV}$  to  $+250\text{ mV}$ ,  $\text{INN} = 0\text{ V}$ , and sinc<sup>3</sup> filter with  $\text{OSR} = 256$  (unless otherwise noted); typical values are at  $T_A = 25^\circ\text{C}$ ,  $\text{CLKIN} = 20\text{ MHz}$ ,  $V_{DD} = 3.3\text{ V}$

PARAMETER		TEST CONDITIONS	MIN	TYP	MAX	UNIT
<b>ANALOG INPUT</b>						
$R_{IN}$	Single-ended input resistance	$\text{INN} = \text{HGND}$		19		$\text{k}\Omega$
$R_{IND}$	Differential input resistance			22		$\text{k}\Omega$
$I_{IB}$	Input bias current	$\text{INP} = \text{INN} = \text{HGND}$ ; $I_{IB} = (I_{IBP} + I_{IBN}) / 2$	- 41	- 30	- 24	$\mu\text{A}$
$I_{IO}$	Input offset current <sup>(1)</sup>	$I_{IO} = I_{IBP} - I_{IBN}$ ; $\text{INP} = \text{INN} = \text{HGND}$		$\pm 10$		nA
$C_{IN}$	Single-ended input capacitance	$\text{INN} = \text{HGND}$ , $f_{IN} = 310\text{ kHz}$		2		pF
$C_{IND}$	Differential input capacitance	$f_{IN} = 310\text{ kHz}$		1		pF
<b>ACCURACY</b>						
$E_O$	Offset error <sup>(1)</sup>	$\text{INN} = \text{INP} = \text{HGND}$ , $T_A = 25^\circ\text{C}$	- 50	$\pm 10$	50	$\mu\text{V}$
$\text{TCE}_O$	Offset error thermal drift <sup>(4)</sup>	$\text{INN} = \text{INP} = \text{HGND}$	- 1		1	$\mu\text{V}/^\circ\text{C}$
$E_G$	Gain error	$T_A = 25^\circ\text{C}$	- 0.2%	$\pm 0.005\%$	0.2%	%
$\text{TCE}_G$	Gain error drift <sup>(5)</sup>		- 35		35	ppm/ $^\circ\text{C}$
DNL	Differential nonlinearity	Resolution: 16 bits	- 0.99		0.99	LSB
INL	Integral nonlinearity	Resolution: 16 bits	- 4	$\pm 1$	4	LSB
SNR	Signal-to-noise ratio	$f_{IN} = 1\text{ kHz}$	81	83		dB
SINAD	Signal-to-noise + distortion	$f_{IN} = 1\text{ kHz}$	79	82.5		dB
THD	Total harmonic distortion <sup>(3)</sup>	$5\text{ MHz} \leq f_{\text{CLKIN}} \leq 21\text{ MHz}$ , $f_{IN} = 1\text{ kHz}$		- 96	- 88	dB
SFDR	Spurious-free dynamic range	$f_{IN} = 1\text{ kHz}$	88	97		dB
CMRR	Common-mode rejection ratio	$f_{IN} = 0\text{ Hz}$ , $V_{\text{CM min}} \leq V_{IN} \leq V_{\text{CM max}}$		- 95		dB
		$f_{IN} = 10\text{ kHz}$ , $V_{\text{CM min}} \leq V_{IN} \leq V_{\text{CM max}}$ , $V_{\text{INP}} = V_{\text{INN}} = 500\text{ mV}_{\text{PP}}$		- 84		
PSRR	Power-supply rejection ratio	$V_{DD}$ from 3.0 V to 5.5 V, at DC		- 120		dB
		$\text{INP} = \text{INN} = \text{HGND}$ , $V_{DD}$ from 3.0 V to 5.5 V, 10 kHz, 100 mV ripple		- 120		
<b>DIGITAL I/O</b>						
$I_{IN}$	Input leakage current	$\text{GND} \leq V_{IN} \leq V_{DD}$	0		7	$\mu\text{A}$
$C_{IN}$	Input capacitance			4		pF
$V_{IH}$	High-level input voltage		$0.7 \times V_{DD}$		$V_{DD} + 0.3$	V
$V_{IL}$	Low-level input voltage		- 0.3		$0.3 \times V_{DD}$	V
$C_{LOAD}$	Output load capacitance			15	30	pF
$V_{OH}$	High-level output voltage	$I_{OH} = -20\text{ }\mu\text{A}$	$V_{DD} - 0.1$			V
		$I_{OH} = -4\text{ mA}$	$V_{DD} - 0.4$			
$V_{OL}$	Low-level output voltage	$I_{OL} = 20\text{ }\mu\text{A}$			0.1	V
		$I_{OL} = 4\text{ mA}$			0.4	
CMTI	Common-mode transient immunity		75	135		$\text{kV}/\mu\text{s}$

## 6.9 Electrical Characteristics (continued)

all minimum and maximum specifications are at  $T_A = -40^\circ\text{C}$  to  $+125^\circ\text{C}$ ,  $V_{DD} = 3.0\text{ V}$  to  $5.5\text{ V}$ ,  $\text{INP} = -250\text{ mV}$  to  $+250\text{ mV}$ ,  $\text{INN} = 0\text{ V}$ , and sinc<sup>3</sup> filter with  $\text{OSR} = 256$  (unless otherwise noted); typical values are at  $T_A = 25^\circ\text{C}$ ,  $\text{CLKIN} = 20\text{ MHz}$ ,  $V_{DD} = 3.3\text{ V}$

PARAMETER		TEST CONDITIONS	MIN	TYP	MAX	UNIT
<b>POWER SUPPLY</b>						
I <sub>DD</sub>	Low-side supply current	no external load on HLDO		26	40	mA
		1 mA external load on HLDO		28	42	
V <sub>DCDC_OUT</sub>	DC/DC output voltage	DCDC_OUT to HGND	3.1	3.5	4.65	V
V <sub>DCDCUV</sub>	DC/DC output undervoltage detection threshold voltage	V <sub>DCDC_OUT</sub> falling	2.1	2.25		V
V <sub>HLDO_OUT</sub>	High-side LDO output voltage	HLDO_OUT to HGND, up to 1 mA external load <sup>(2)</sup>	3	3.2	3.4	V
V <sub>HLDOUV</sub>	High-side LDO output undervoltage detection threshold voltage	V <sub>HLDO_OUT</sub> falling	2.4	2.6		V
I <sub>H</sub>	High-side supply current for auxiliary circuitry	Load connected from HLDO_OUT to HGND; non-switching; $-40^\circ\text{C} \leq T_A \leq 85^\circ\text{C}$ <sup>(2)</sup>			1	mA
t <sub>START</sub>	Device startup time	VDD step to 3.0 V to bitstream valid		0.9	1.4	ms

- (1) The typical value includes one sigma statistical variation at nominal operating conditions.
- (2) High-side LDO supports full external load (I<sub>H</sub>) only up to  $T_A = 85^\circ\text{C}$ . See the *Isolated DC/DC Converter* section for more details.
- (3) THD is the ratio of the rms sum of the amplitudes of first five higher harmonics to the amplitude of the fundamental.
- (4) Offset error temperature drift is calculated using the box method, as described by the following equation:  

$$TCE_O = (Value_{MAX} - Value_{MIN}) / TempRange$$
- (5) Gain error temperature drift is calculated using the box method, as described by the following equation:  

$$TCE_G (ppm) = (Value_{MAX} - Value_{MIN}) / (Value_{(T=25^\circ\text{C})} \times TempRange) \times 10^6$$

## 6.10 Switching Characteristics

PARAMETER	TEST CONDITIONS	MIN	TYP	MAX	UNIT	
$t_H$	DOUT hold time after rising edge of CLKIN	$C_{LOAD} = 15 \text{ pF}$			3.5	ns
$t_D$	Rising edge of CLKIN to DOUT valid delay	$C_{LOAD} = 15 \text{ pF}; \text{CLKIN } 50\% \text{ to DOUT } 10\% / 90\%$			15	ns
$t_r$	DOUT rise time	10% to 90%, $3.0 \text{ V} \leq VDD \leq 3.6 \text{ V}, C_{LOAD} = 15 \text{ pF}$			2.5	6
		10% to 90%, $4.5 \text{ V} \leq VDD \leq 5.5 \text{ V}, C_{LOAD} = 15 \text{ pF}$			3.2	
$t_f$	DOUT fall time	10% to 90%, $3.0 \text{ V} \leq VDD \leq 3.6 \text{ V}, C_{LOAD} = 15 \text{ pF}$			2.2	6
		10% to 90%, $4.5 \text{ V} \leq VDD \leq 5.5 \text{ V}, C_{LOAD} = 15 \text{ pF}$			2.9	

## 6.11 Timing Diagrams

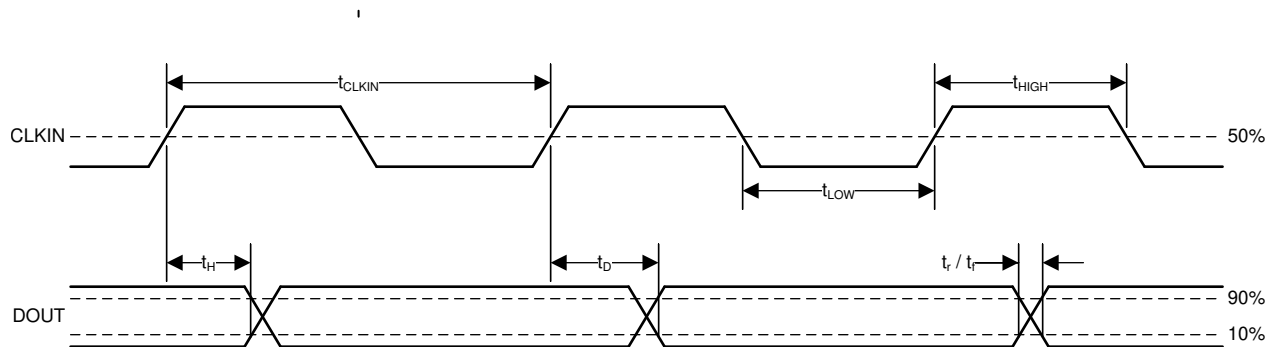


图 6-1. Digital Interface Timing

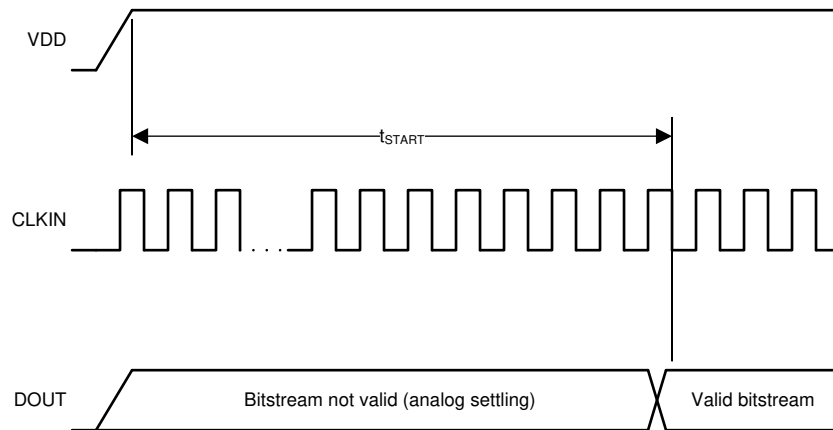


图 6-2. Device Startup Timing

### 6.12 Insulation Characteristics Curves

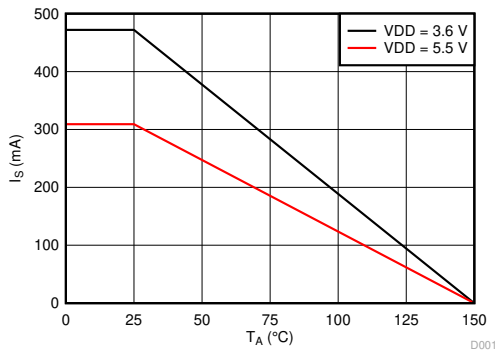


图 6-3. Thermal Derating Curve for Safety-Limiting Current Per VDE

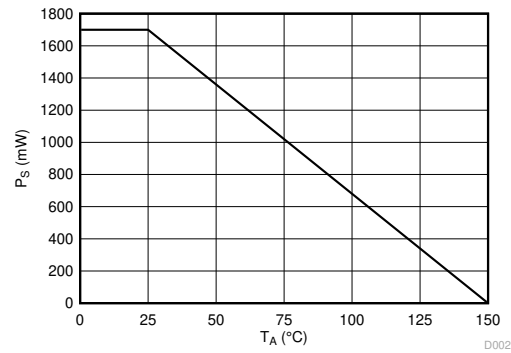
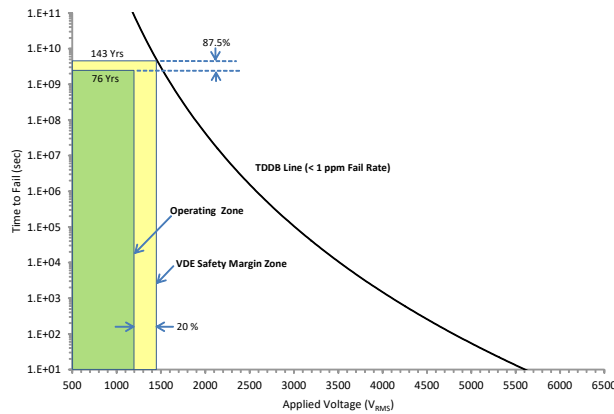


图 6-4. Thermal Derating Curve for Safety-Limiting Power Per VDE



TA up to 150°C, stress-voltage frequency = 60 Hz, isolation working voltage = 1200 VRMS, operating lifetime = 76 years

图 6-5. Reinforced Isolation Capacitor Lifetime Projection

### 6.13 Typical Characteristics

at VDD = 3.3 V, INP = -250 mV to +250 mV, INN = HGND, f<sub>CLKIN</sub> = 20 MHz, and sinc<sup>3</sup> filter with OSR = 256, 16-bit resolution (unless otherwise noted)

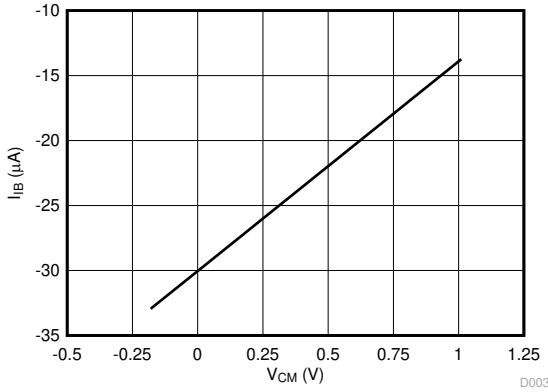


图 6-6. Input Bias Current vs Common-Mode Input Voltage

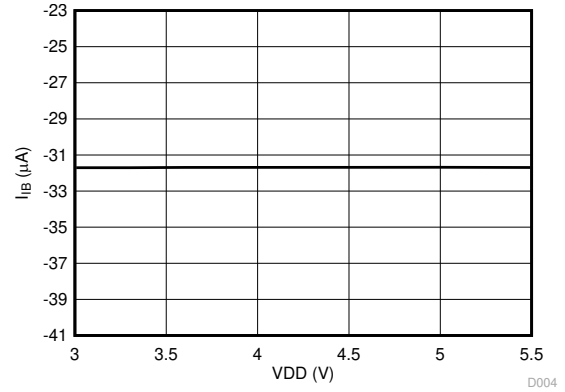


图 6-7. Input Bias Current vs Supply Voltage

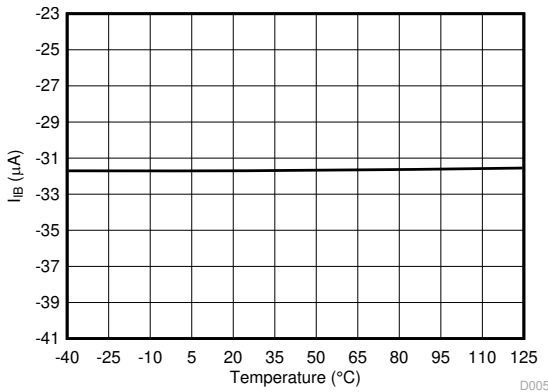


图 6-8. Input Bias Current vs Temperature

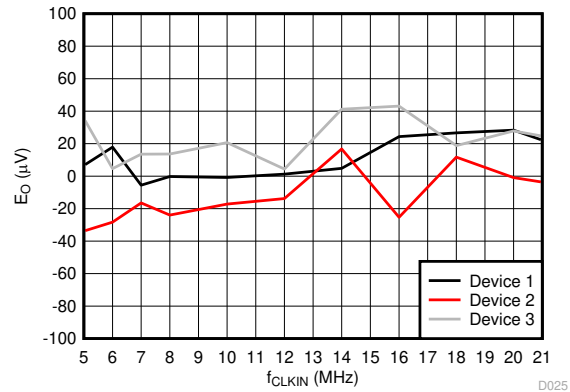


图 6-9. Offset Error Histogram

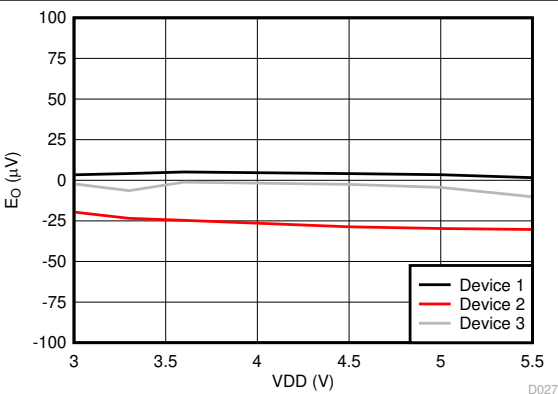


图 6-10. Offset Error vs Supply Voltage

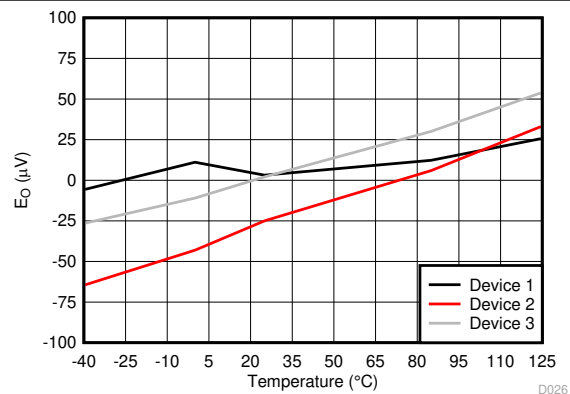


图 6-11. Offset Error vs Temperature

### 6.13 Typical Characteristics (continued)

at VDD = 3.3 V, INP = - 250 mV to +250 mV, INN = HGND, f<sub>CLKIN</sub> = 20 MHz, and sinc<sup>3</sup> filter with OSR = 256, 16-bit resolution (unless otherwise noted)

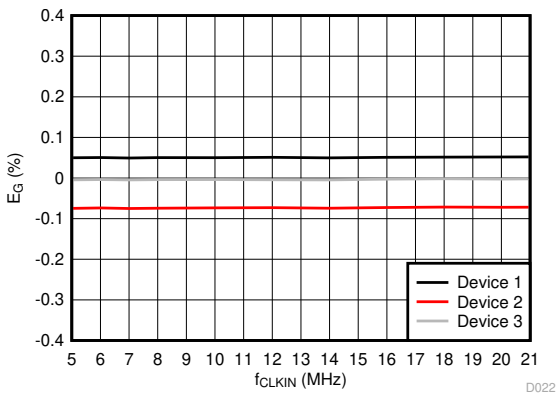


图 6-12. Gain Error vs Input Clock Frequency

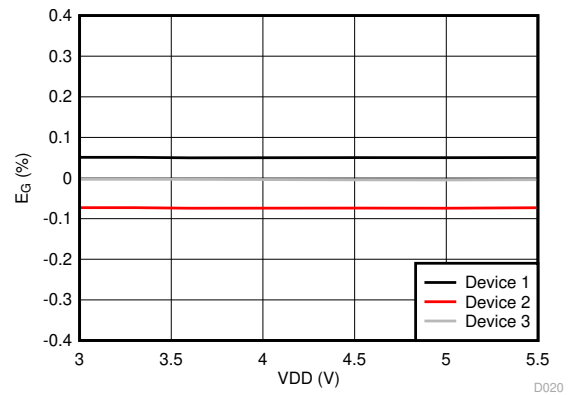


图 6-13. Gain Error vs Supply Voltage

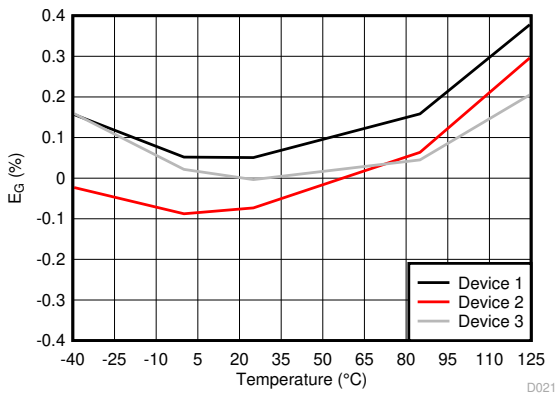


图 6-14. Gain Error vs Temperature

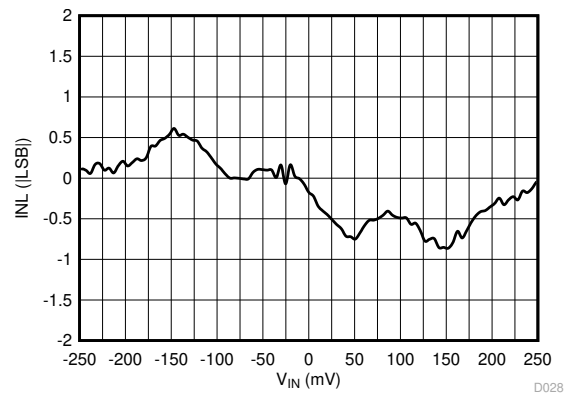


图 6-15. Integral Nonlinearity vs Input Voltage

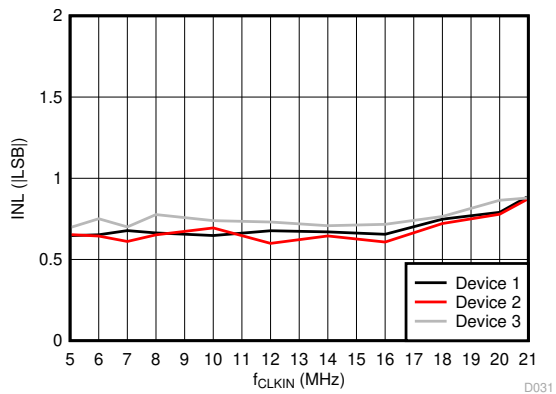


图 6-16. Integral Nonlinearity vs Input Clock Frequency

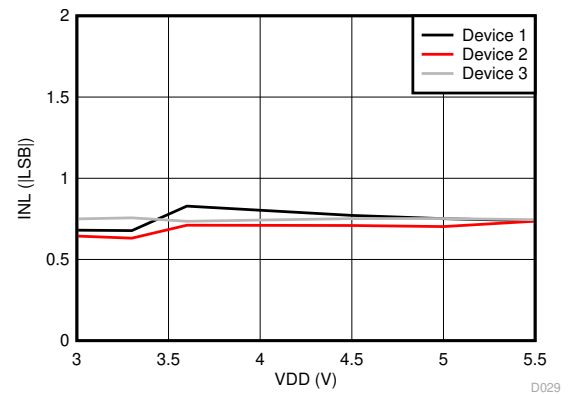
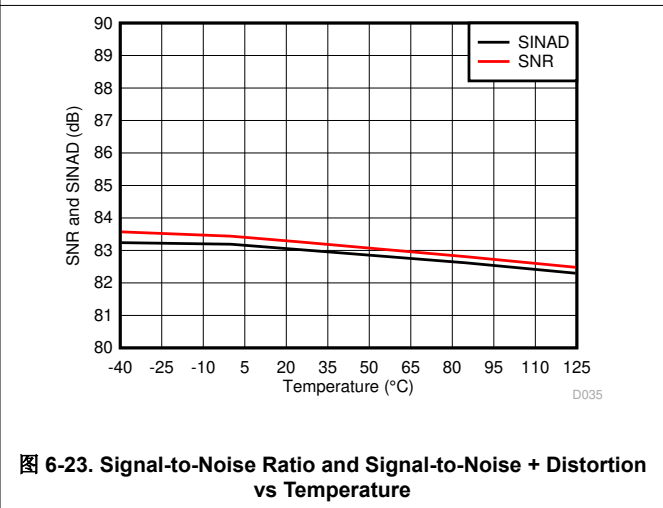
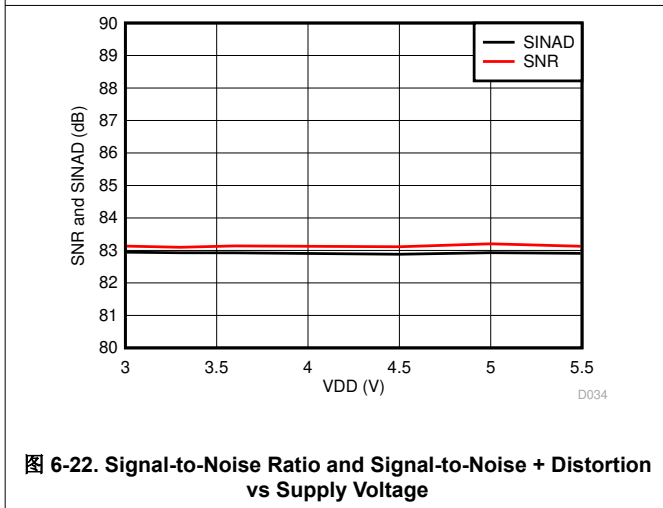
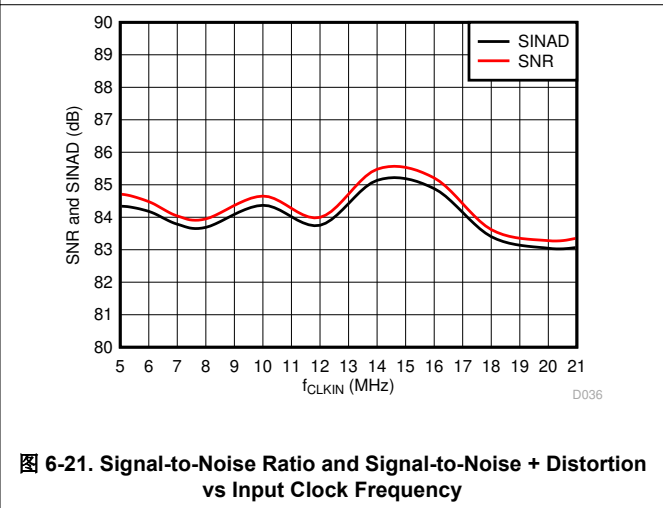
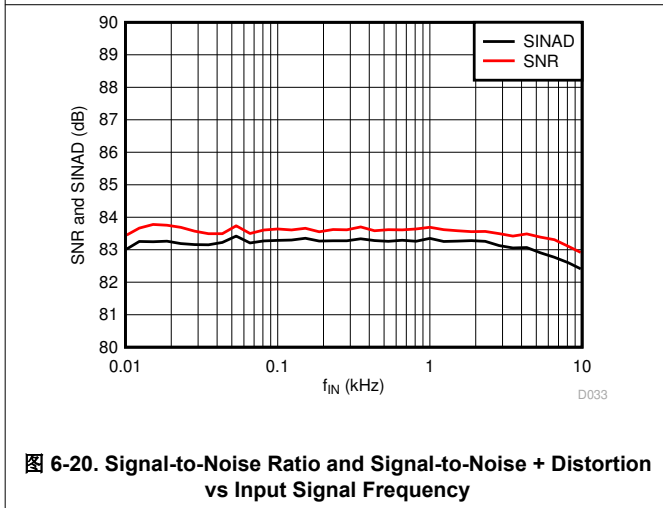
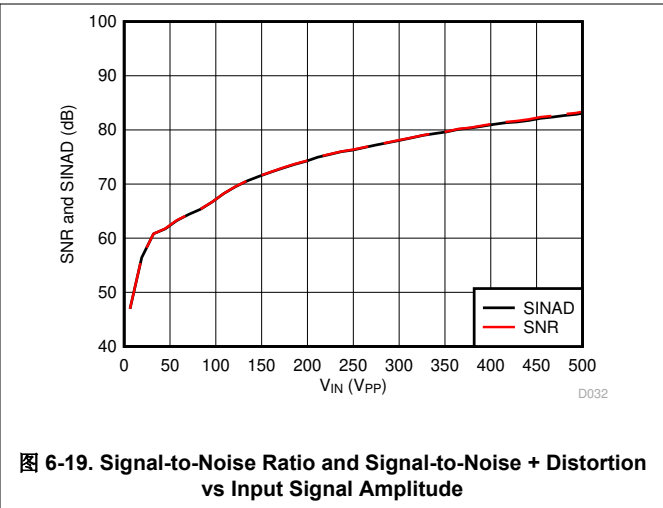
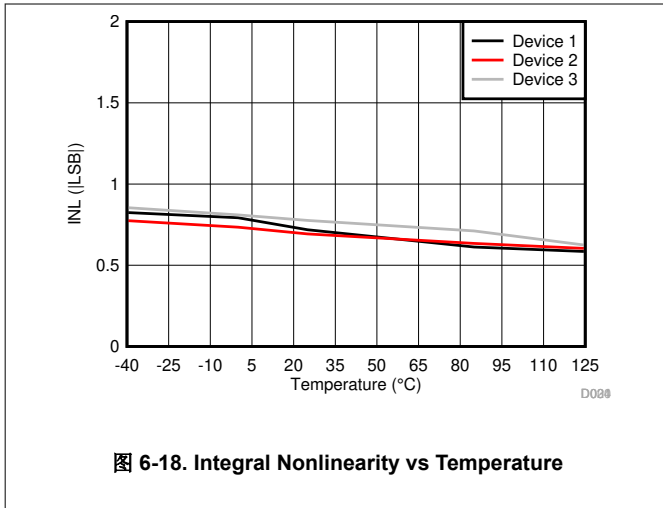


图 6-17. Integral Nonlinearity vs Supply Voltage

### 6.13 Typical Characteristics (continued)

at VDD = 3.3 V, INP = - 250 mV to +250 mV, INN = HGND, f<sub>CLKIN</sub> = 20 MHz, and sinc<sup>3</sup> filter with OSR = 256, 16-bit resolution (unless otherwise noted)



### 6.13 Typical Characteristics (continued)

at VDD = 3.3 V, INP = - 250 mV to +250 mV, INN = HGND, f<sub>CLKIN</sub> = 20 MHz, and sinc<sup>3</sup> filter with OSR = 256, 16-bit resolution (unless otherwise noted)

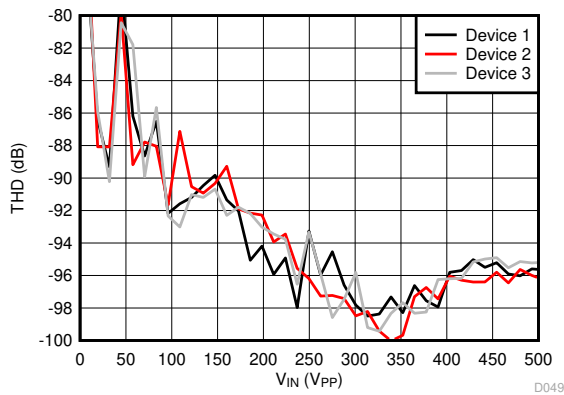


图 6-24. Total Harmonic Distortion vs Input Signal Amplitude

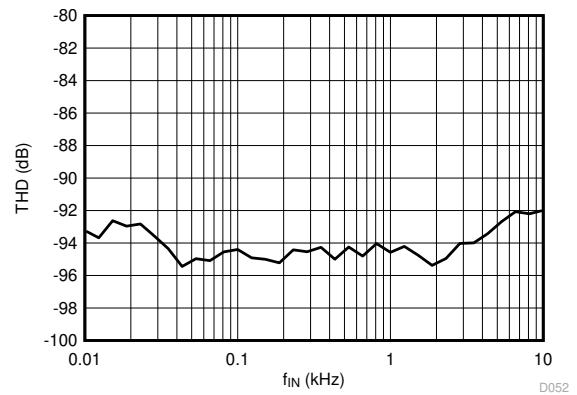


图 6-25. Total Harmonic Distortion vs Input Signal Frequency

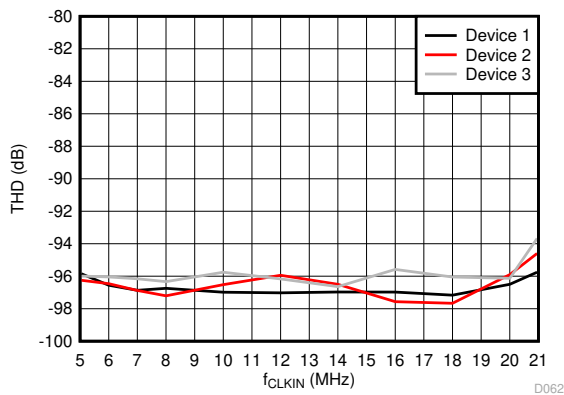


图 6-26. Total Harmonic Distortion vs Input Clock Frequency

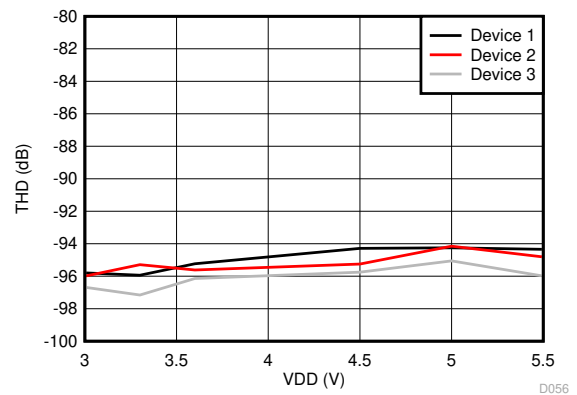


图 6-27. Total Harmonic Distortion vs Supply Voltage

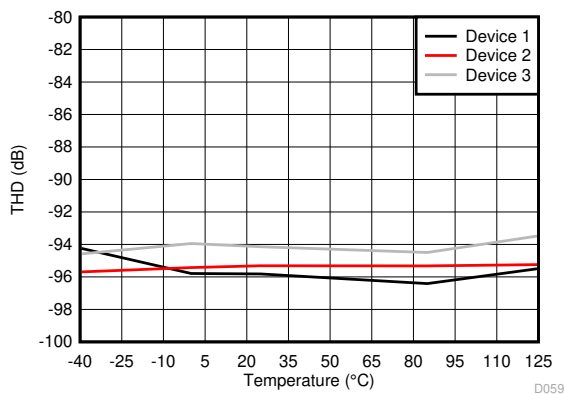


图 6-28. Total Harmonic Distortion vs Temperature

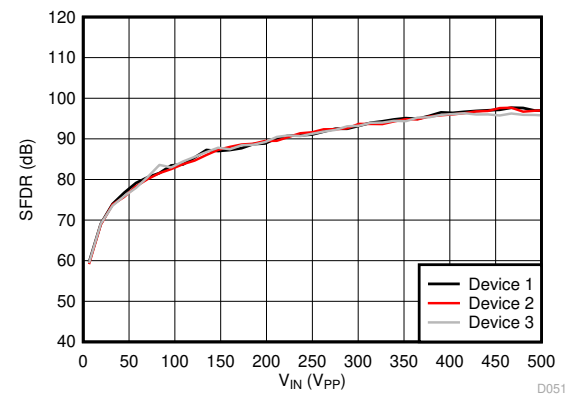


图 6-29. Spurious-Free Dynamic Range vs Input Signal Amplitude



### 6.13 Typical Characteristics (continued)

at VDD = 3.3 V, INP = - 250 mV to +250 mV, INN = HGND, f<sub>CLKIN</sub> = 20 MHz, and sinc<sup>3</sup> filter with OSR = 256, 16-bit resolution (unless otherwise noted)

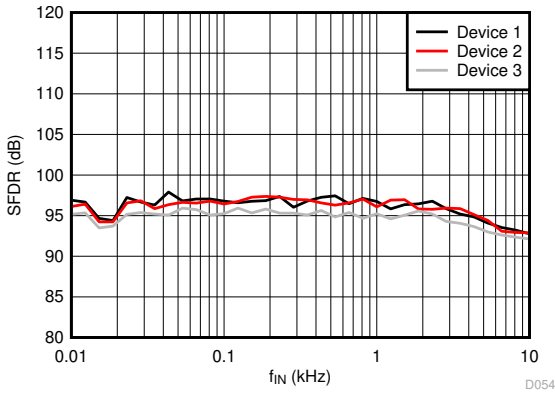


图 6-30. Spurious-Free Dynamic Range vs Input Signal Frequency

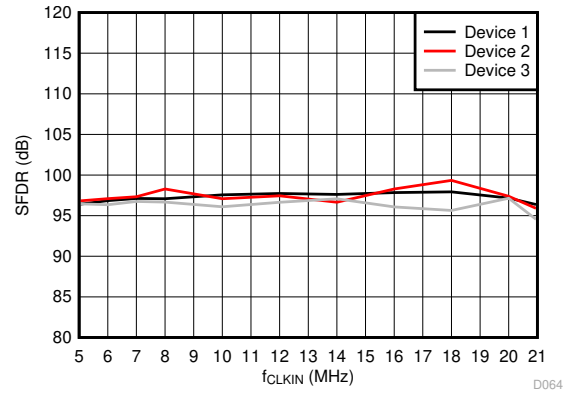


图 6-31. Spurious-Free Dynamic Range vs Input Clock Frequency

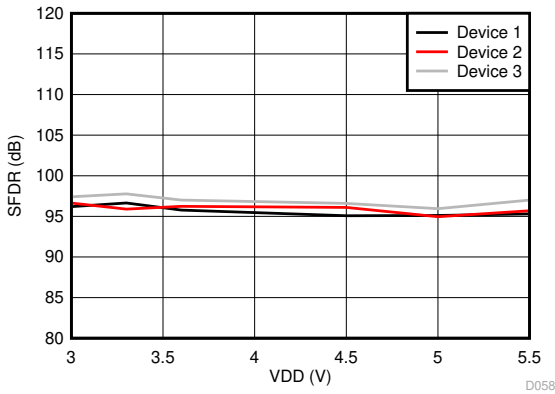


图 6-32. Spurious-Free Dynamic Range vs Supply Voltage

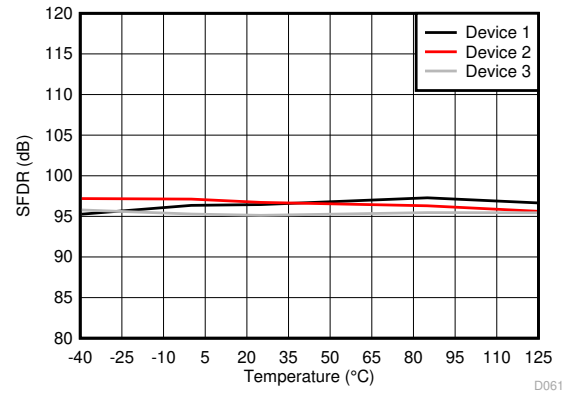


图 6-33. Spurious-Free Dynamic Range vs Temperature

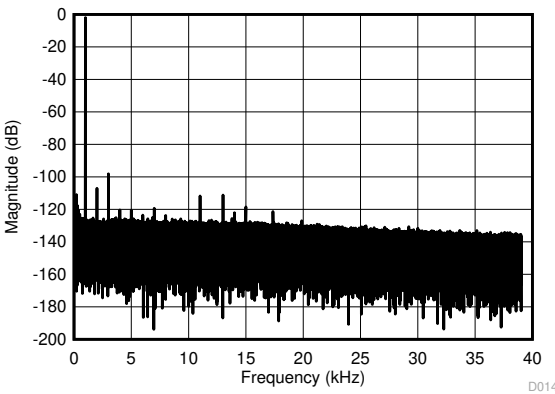


图 6-34. Output Frequency Spectrum With 1-kHz Input Signal

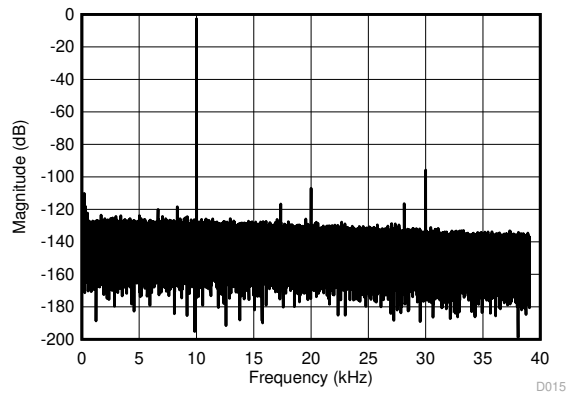


图 6-35. Output Frequency Spectrum With 10-kHz Input Signal

### 6.13 Typical Characteristics (continued)

at VDD = 3.3 V, INP = - 250 mV to +250 mV, INN = HGND, f<sub>CLKIN</sub> = 20 MHz, and sinc<sup>3</sup> filter with OSR = 256, 16-bit resolution (unless otherwise noted)

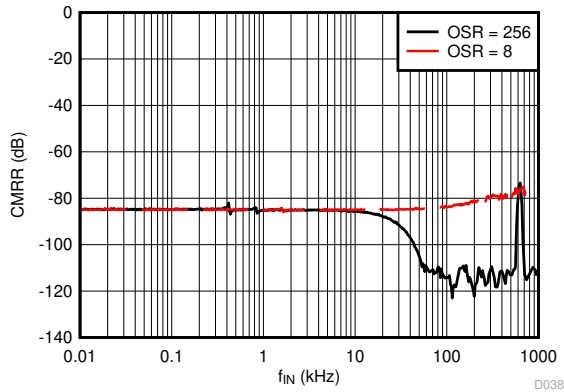


图 6-36. Common-Mode Rejection Ratio vs Input Signal Frequency

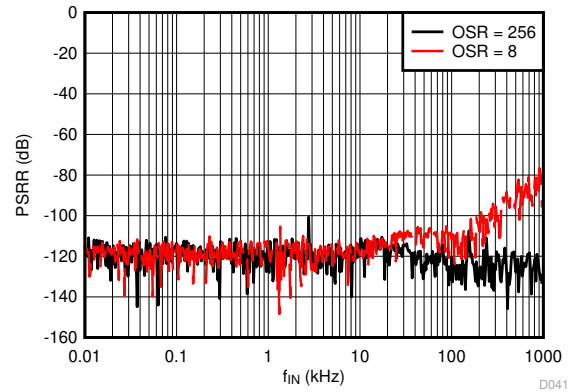


图 6-37. Power-Supply Rejection Ratio vs Ripple Frequency

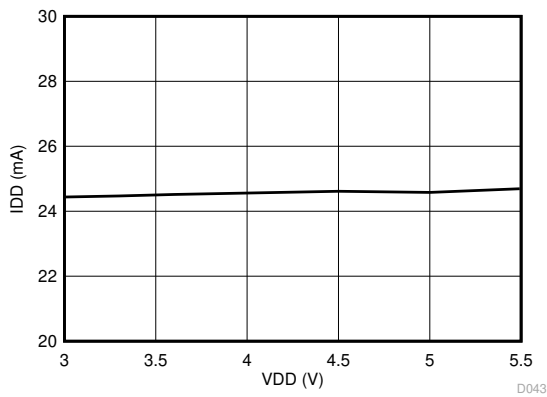


图 6-38. Supply Current vs Supply Voltage

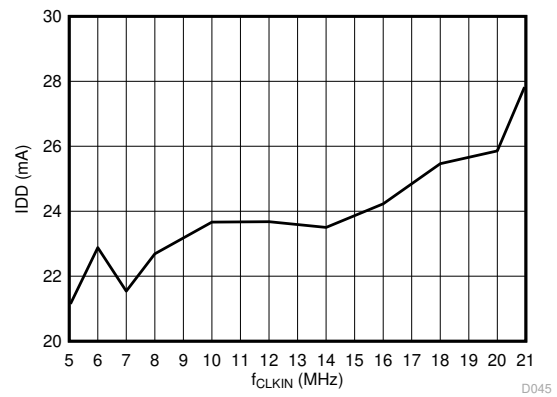


图 6-39. Supply Current vs Input Clock Frequency

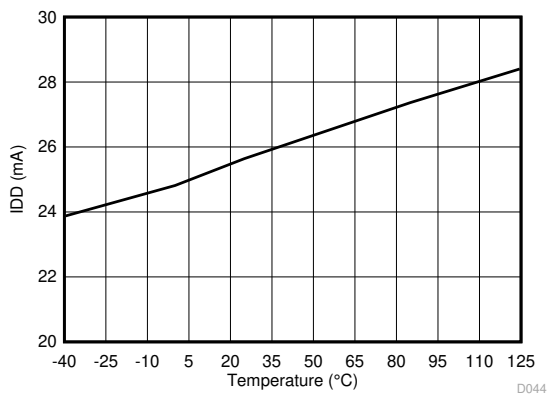


图 6-40. Supply Current vs Temperature

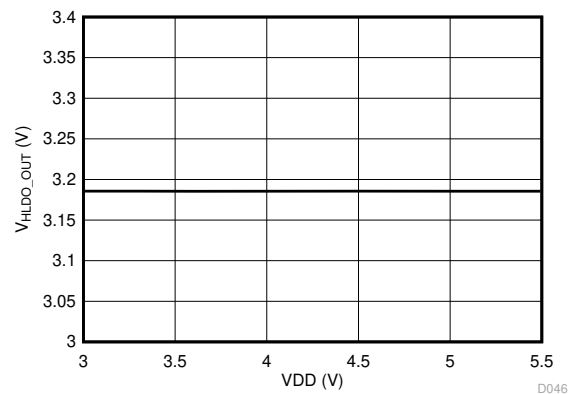


图 6-41. High-Side LDO Output Voltage vs Supply Voltage

### 6.13 Typical Characteristics (continued)

at VDD = 3.3 V, INP = - 250 mV to +250 mV, INN = HGND,  $f_{CLKIN} = 20$  MHz, and sinc<sup>3</sup> filter with OSR = 256, 16-bit resolution (unless otherwise noted)

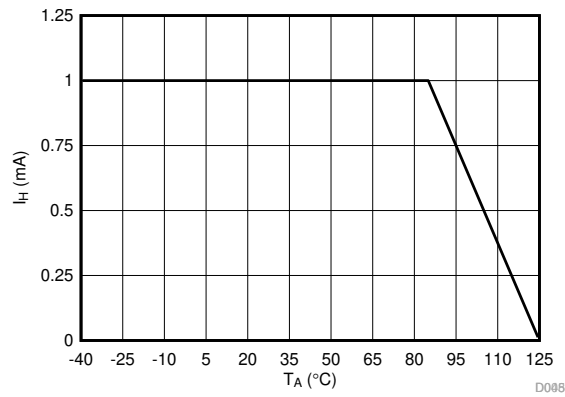


图 6-42.  $I_H$  Derating vs Temperature

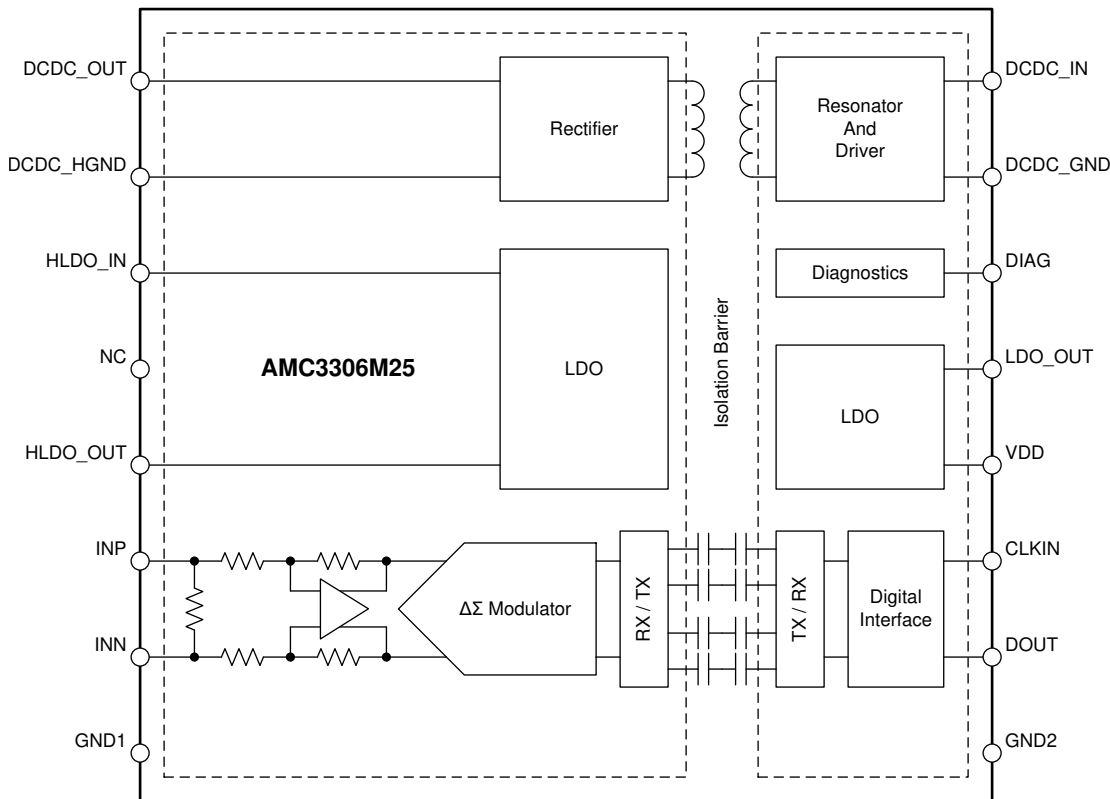
## 7 Detailed Description

### 7.1 Overview

The AMC3306M25 is a fully differential, precision, isolated modulator with an integrated DC/DC converter that can supply the high-side of the device from a single 3.3-V or 5-V voltage supply on the low side. The analog input pins INP and INN are connected to a fully differential amplifier that feeds the switched-capacitor input of a second-order, delta-sigma ( $\Delta\Sigma$ ) modulator. The modulator converts the analog input signal into a digital bitstream that is transferred across the isolation barrier and separates the high-side from the low-side. The isolated data output DOUT of the converter provides a stream of digital ones and zeros that is synchronous to the externally-provided clock source at the CLKIN pin. The time average of this serial bitstream output is proportional to the analog input voltage. The external clock input simplifies the synchronization of multiple current-sensing channels on the system level.

The signal path is isolated by a double capacitive silicon dioxide ( $\text{SiO}_2$ ) insulation barrier, whereas power isolation uses an on-chip transformer separated by a thin-film polymer as the insulating material.

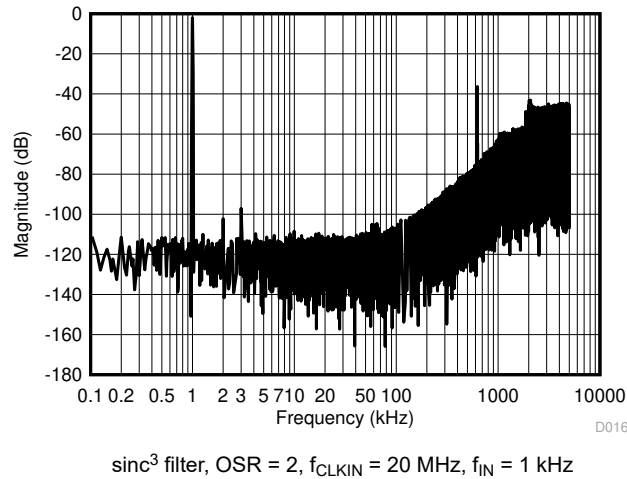
### 7.2 Functional Block Diagram



## 7.3 Feature Description

### 7.3.1 Analog Input

The differential amplifier input stage of the AMC3306M25 feeds a second-order, switched-capacitor, feed-forward  $\Delta\Sigma$  modulator. The gain of the differential amplifier is set by internal precision resistors with a differential input impedance of  $R_{IND}$ . The modulator converts the analog input signal into a bitstream that is transferred across the isolation barrier, as described in the [Isolation Channel Signal Transmission](#) section.



**图 7-1. Quantization Noise Shaping**

There are two restrictions on the analog input signals INP and INN. First, if the input voltages  $V_{INP}$  or  $V_{INN}$  exceed the range specified in the [Absolute Maximum Ratings](#) table, the input currents must be limited to the absolute maximum value because the electrostatic discharge (ESD) protection turns on. In addition, the linearity and parametric performance of the device are ensured only when the analog input voltage remains within the linear full-scale range ( $V_{FSR}$ ) and within the common-mode input voltage range ( $V_{CM}$ ) as specified in the [Recommended Operating Conditions](#) table.

### 7.3.2 Modulator

The second-order, switched-capacitor, feed-forward  $\Delta\Sigma$  modulator conceptualized in 图 7-2 is implemented in the AMC3306M25. The analog input voltage  $V_{IN}$  and the output  $V_5$  of the 1-bit digital-to-analog converter (DAC) are differentiated, providing an analog voltage  $V_1$  at the input of the first integrator stage. The output of the first integrator feeds the input of the second integrator stage, resulting in an output voltage  $V_3$  that is differentiated with the input signal  $V_{IN}$  and the output of the first integrator  $V_2$ . Depending on the polarity of the resulting voltage  $V_4$ , the output of the comparator is changed. In this case, the 1-bit DAC responds on the next clock pulse by changing the associated analog output voltage  $V_5$ , causing the integrators to progress in the opposite direction, and forcing the value of the integrator output to track the average value of the input.

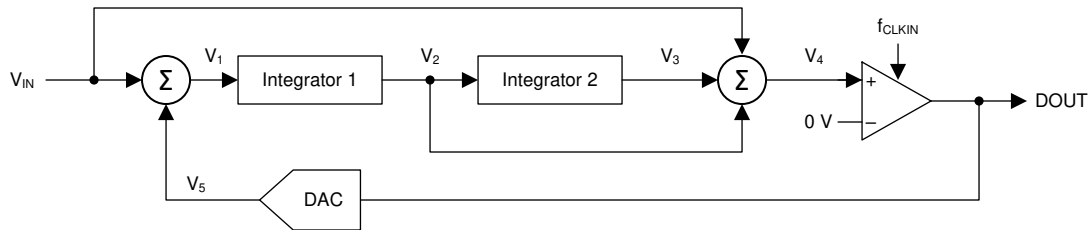


图 7-2. Block Diagram of a Second-Order Modulator

The modulator shifts the quantization noise to high frequencies, as depicted in 图 7-1. Therefore, use a low-pass digital filter at the output of the device to increase the overall performance. This filter is also used to convert the 1-bit data stream at a high sampling rate into a higher-bit data word at a lower rate (decimation). TI's C2000™ and Sitara™ microcontroller families offer a suitable programmable, hardwired filter structure termed a *sigma-delta filter module* (SDFM) optimized for usage with the AMC3306M25. Alternatively, a field-programmable gate array (FPGA) or complex programmable logic device (CPLD) can be used to implement the filter.

### 7.3.3 Isolation Channel Signal Transmission

The AMC3306M25 uses an on-off keying (OOK) modulation scheme, as shown in 图 7-3, to transmit the modulator output bitstream across the SiO<sub>2</sub>-based isolation barrier. The transmit driver (TX) illustrated in the *Functional Block Diagram* transmits an internally generated, high-frequency carrier across the isolation barrier to represent a digital *one* and does not send a signal to represent a digital *zero*. The nominal frequency of the carrier used inside the AMC3306M25 is 480 MHz.

图 7-3 shows the concept of the on-off keying scheme.

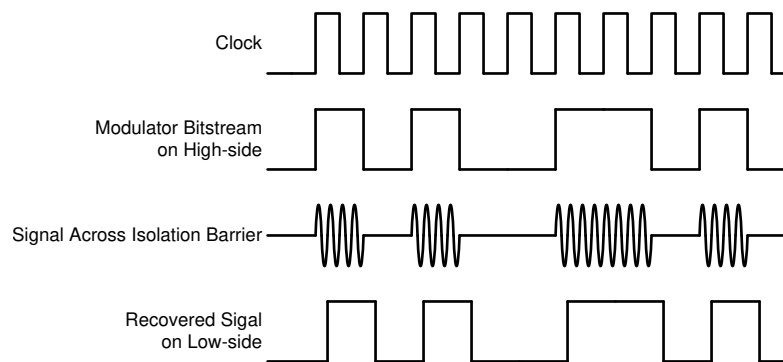


图 7-3. OOK-Based Modulation Scheme

### 7.3.4 Digital Output

A differential input signal of 0 V ideally produces a stream of ones and zeros that are high 50% of the time. A differential input of 250 mV produces a stream of ones and zeros that are high 89.06% of the time. With 16 bits of resolution, that percentage ideally corresponds to code 58368. A differential input of -250 mV produces a stream of ones and zeros that are high 10.94% of the time and ideally results in code 7168 with 16-bit resolution. These input voltages are also the specified linear range of the AMC3306M25. If the input voltage value exceeds this range, the output of the modulator shows nonlinear behavior as the quantization noise increases. The output of the modulator clips with a stream of only zeros with an input less than or equal to -320 mV or with a stream of only ones with an input greater than or equal to 320 mV. In this case, however, the AMC3306M25 generates a single 1 (if the input is at negative full-scale) or 0 (if the input is at positive full-scale) every 128 clock cycles to indicate proper device function (see the [Output Behavior in Case of a Full-Scale Input](#) section for more details). [图 7-4](#) shows the input voltage versus the output modulator signal.

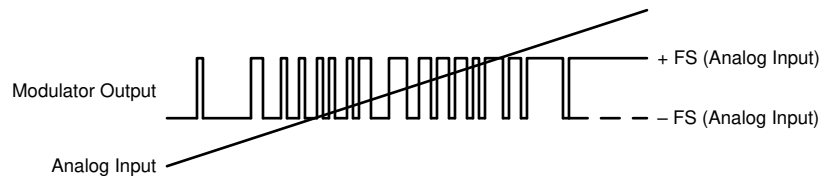


图 7-4. Analog Input vs Modulator Output

The density of ones in the output bitstream for any input voltage value can be calculated using [方程式 1](#) (with the exception of a full-scale input signal, as described in the [Output Behavior in Case of a Full-Scale Input](#) section):

$$\frac{V_{IN} + V_{Clipping}}{2 \times V_{Clipping}} \quad (1)$$

#### 7.3.4.1 Output Behavior in Case of a Full-Scale Input

If a full-scale input signal is applied to the AMC3306M25 (that is,  $|V_{IN}| \geq V_{Clipping}$ ), as shown in [图 7-5](#), the device generates a single one or zero every 128 bits at DOUT, depending on the actual polarity of the signal being sensed. In this way, detecting a valid full-scale input signal and differentiating it from a missing high-side supply is possible on the system level.

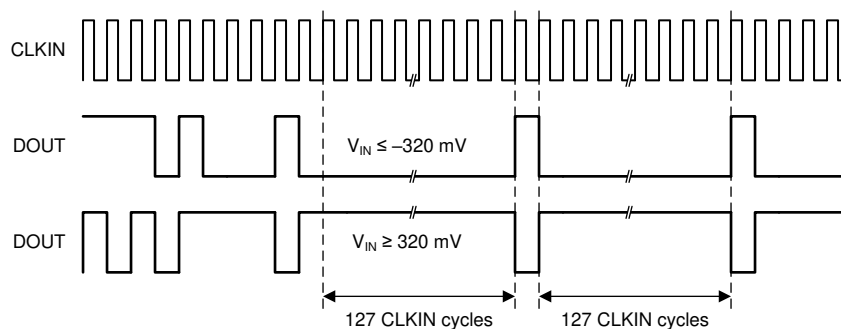


图 7-5. Full-Scale Output of the AMC3306M25

#### 7.3.4.2 Output Behavior in Case of a High-Side Supply Failure

The AMC3306M25 provides a failsafe output that ensures that the output DOUT of the device is a constant bitstream of logic 0's in case the integrated DC/DC converter output voltage is below the undervoltage detection threshold. See the [Diagnostic Output](#) section for more information.

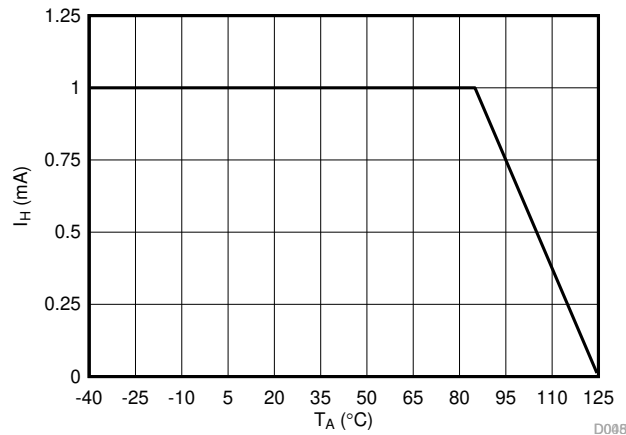
### 7.3.5 Isolated DC/DC Converter

The AMC3306M25 offers a fully integrated isolated DC/DC converter stage that includes the following components illustrated in the [Functional Block Diagram](#) section:

- Low-dropout regulator (LDO) on the low-side to stabilize the supply voltage VDD that drives the low-side of the DC/DC converter. This circuit does not output a constant voltage and is not intended for driving any external load.
- Low-side full-bridge inverter and drivers
- Laminate-based, air-core transformer for high immunity to magnetic fields
- High-side full-bridge rectifier
- High-side LDO to stabilize the output voltage of the DC/DC converter for high analog performance of the signal path. The high-side LDO outputs a constant voltage and can provide a limited amount of current to power external circuitry.

The DC/DC converter uses a spread-spectrum clock generation technique to reduce the spectral density of the electromagnetic radiation. The resonator frequency is synchronized to the operation of the  $\Delta \Sigma$  modulator to minimize interference with data transmission and support the high analog performance of the device.

The architecture of the DC/DC converter is optimized to drive the high-side circuitry of the AMC3306M25 and can source up to  $I_H$  of additional DC current for an optional auxiliary circuit such as an active filter, pre-amplifier, or comparator. As shown in [Figure 7-6](#),  $I_H$  is specified up to an ambient temperature of 85°C and derates linearly at higher temperatures.



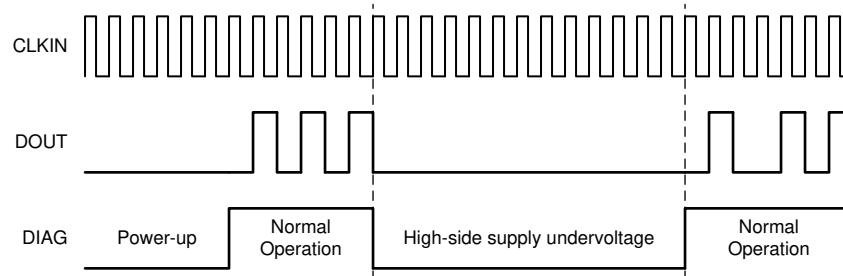
**Figure 7-6. Derating of  $I_H$  at Ambient Temperatures >85°C**



### 7.3.6 Diagnostic Output

As shown in [图 7-7](#), the open-drain DIAG pin can be monitored to confirm the device is operational, and the output data are valid. During power-up, the DIAG pin is actively held low until the high-side supply is in regulation and the modulator starts outputting data. The DIAG pin is actively pulled low if:

- The low-side does not receive data from the high-side (for example, because of a loss of power on the high-side). The modulator itself outputs a constant bitstream of logic 0's in this case, that is, the DOUT pin is permanently low.
- The high-side DC/DC output voltage (DCDC\_OUT) or the high-side LDO output voltage (HLDO\_OUT) drop below their respective undervoltage detection thresholds (brown-out). In this case, the low-side may still receive data from the high-side but the data may not be valid. However, the modulator itself outputs a constant bitstream of logic 0's in this case, meaning that the DOUT pin is permanently low.



**图 7-7. DIAG and Output under Different Operating Conditions**

### 7.4 Device Functional Modes

The AMC3306M25 is operational when VDD is applied, as specified in the [Recommended Operating Conditions](#) table.

## 8 Application and Implementation

---

### Note

Information in the following applications sections is not part of the TI component specification, and TI does not warrant its accuracy or completeness. TI's customers are responsible for determining suitability of components for their purposes, as well as validating and testing their design implementation to confirm system functionality.

---

### 8.1 Application Information

The low analog input voltage range, excellent accuracy, and low temperature drift make the AMC3306M25 a high performance solution for industrial applications where shunt-based current sensing in the presence of high common-mode voltage levels is required.

#### 8.1.1 Digital Filter Usage

The modulator generates a bitstream that has to be processed by a digital filter to obtain a digital word similar to a conversion result of a conventional analog-to-digital converter (ADC). A very simple filter, as shown in [方程式 2](#), built with minimal effort and hardware, is a sinc<sup>3</sup>-type filter:

$$H(z) = \left( \frac{1 - z^{-\text{OSR}}}{1 - z^{-1}} \right)^3 \quad (2)$$

This filter provides the best output performance at the lowest hardware size (count of digital gates) for a second-order modulator. All characterization in this document is done with a sinc<sup>3</sup> filter with an oversampling ratio (OSR) of 256 and an output word width of 16 bits, unless specified otherwise. The measured effective number of bits (ENOB) as a function of the OSR is illustrated in [图 8-3](#) of the [Typical Application](#) section.

A [delta sigma modulator filter calculator](#) is available for download at [www.ti.com](http://www.ti.com) that aids in the filter design and selecting the right OSR and filter-order to achieve the desired output resolution and filter response time.

An example code for implementing a sinc<sup>3</sup> filter in an FPGA is discussed in the [Combining the ADS1202 with an FPGA Digital Filter for Current Measurement in Motor Control Applications](#) application note, available for download at [www.ti.com](http://www.ti.com).

## 8.2 Typical Application

### 8.2.1 Solar Inverter Application

The AMC3306M25 is ideally suited for shunt-based current sensing applications where accurate current monitoring is required in the presence of high common-mode voltages. The AMC3306M25 integrates an isolated power supply for the high-voltage side and therefore makes the device particularly easy to use in applications that do not have a high-side supply readily available or where a high-side supply is referenced to a different ground potential than the signal to be measured.

图 8-1 shows a simplified schematic of the AMC3306M25 in a solar inverter where the phase current is measured on the grid-side of an LCL filter. Although the system offers a supply for the high-side gate driver, there is a large common-mode voltage between the gate driver supply ground reference and the shunt resistor on the other side of the LCL filter. Therefore, the gate driver supply is not suitable for powering the high-side of an isolated modulator that measures the voltage across the shunt. The integrated isolated power-supply of the AMC3306M25 solves that problem and enables current sensing at locations that is optimal for the system.

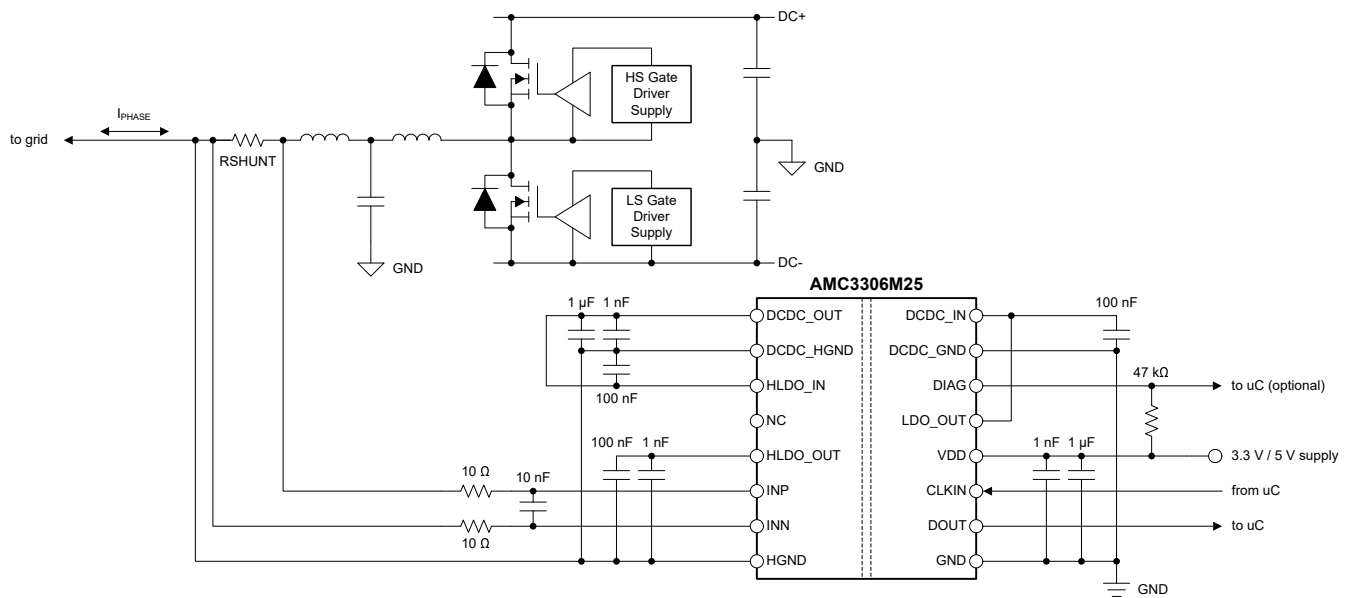


图 8-1. The AMC3306M25 in a Solar Inverter Application

#### 8.2.1.1 Design Requirements

表 8-1 lists the parameters for this typical application.

表 8-1. Design Requirements

PARAMETER	VALUE
Low-side supply voltage	3.3 V or 5 V
Voltage drop across RSHUNT for a linear response	±250 mV (maximum)

### 8.2.1.2 Detailed Design Procedure

The AMC3306M25 requires a single 3.3-V or 5-V supply on its low-side. The high-side supply is internally generated by an integrated DC/DC converter as explained in the [Isolated DC/DC Converter](#) section.

The ground reference (HGND) is derived from the terminal of the shunt resistor that is connected to the negative input of the AMC3306M25 (INN). If a four-pin shunt is used, the inputs of the device are connected to the inner leads and HGND is connected to one of the outer leads. To minimize offset and improve accuracy, set the ground connection to a separate trace that connects directly to the shunt resistor rather than shorting HGND to INN directly at the input to the device. See the [Layout](#) section for more details.

#### 8.2.1.2.1 Shunt Resistor Sizing

Use Ohm's Law to calculate the voltage drop across the shunt resistor ( $V_{SHUNT}$ ) for the desired measured current:  $V_{SHUNT} = I \times R_{SHUNT}$ .

Consider the following two restrictions to choose the proper value of the shunt resistor,  $R_{SHUNT}$ :

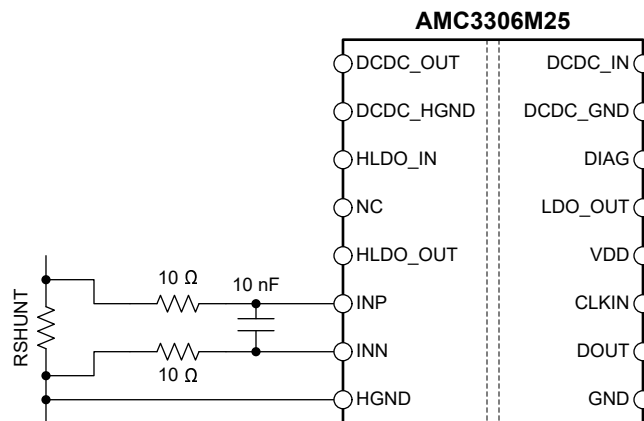
- The voltage drop caused by the nominal current range must not exceed the recommended differential input voltage range for linear response:  $|V_{SHUNT}| \leq V_{FSR}$
- The voltage drop caused by the maximum allowed overcurrent must not exceed the input voltage that causes a clipping output:  $|V_{SHUNT}| \leq |V_{Clipping}|$

#### 8.2.1.2.2 Input Filter Design

TI recommends placing a RC filter in front of a  $\Delta \Sigma$  modulator to improve signal-to-noise performance of the signal path. Design the input filter such that:

- The cutoff frequency of the filter is at least one order of magnitude lower than the sampling frequency of the  $\Delta \Sigma$  modulator ( $f_{CLKIN}$ )
- The input bias current does not generate significant voltage drop across the DC impedance of the input filter
- The impedances measured from the analog inputs are equal

For most applications the structure shown in [图 8-2](#) achieves excellent performance.



**图 8-2. Differential Input Filter**

#### 8.2.1.2.3 Bitstream Filtering

For modulator output bitstream filtering, a device from TI's [C2000™](#) or [Sitara™](#) microcontroller families is recommended. These families support up to eight channels of dedicated hardwired filter structures that significantly simplify system level design by offering two filtering paths per channel: one providing high-accuracy results for the control loop and one fast-response path for overcurrent detection.

A [delta sigma modulator filter calculator](#) is available for download at [www.ti.com](http://www.ti.com) that aids in the filter design and selecting the right OSR and filter-order to achieve the desired output resolution and filter response time.

### 8.2.1.3 Application Curve

The effective number of bits (ENOB) is often used to compare the performance of ADCs and  $\Delta \Sigma$  modulators. 图 8-3 shows the ENOB of the AMC3306M25 with different oversampling ratios. By using 方程式 3, this number can also be calculated from the SINAD:

$$\text{SINAD} = 1.76 \text{ dB} + 6.02 \text{ dB} \times \text{ENOB} \quad (3)$$

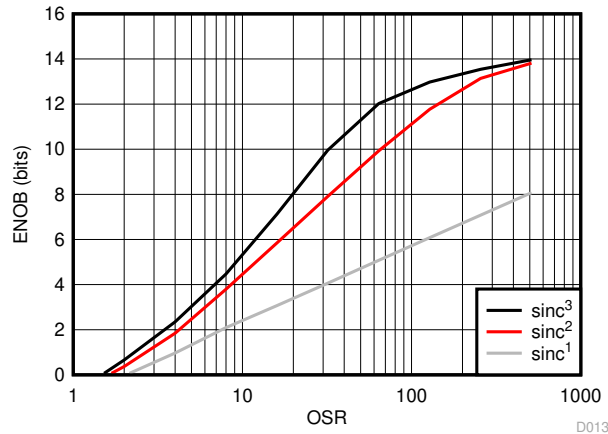


图 8-3. Measured Effective Number of Bits vs Oversampling Ratio

### 8.2.2 What To Do and What Not To Do

Do not leave the inputs of the AMC3306M25 unconnected (floating) when the device is powered up. If the device inputs are left floating, the input bias current may drive the inputs to a positive value that exceeds the operating common-mode input voltage and the output of the device is undetermined.

Connect the negative input (INN) to the high-side ground (HGND), either by a hard short or through a resistive path. A DC current path between INN and HGND is required to define the input common-mode voltage. Take care not to exceed the input common-mode range as specified in the [Recommended Operating Conditions](#) table. For best accuracy, route the ground connection as a separate trace that connects directly to the shunt resistor rather than shorting AGND to INN directly at the input to the device. See the [Layout](#) section for more details.

The high-side LDO can source a limited amount of current ( $I_H$ ) to power external circuitry. Take care not to overload the high-side LDO and be aware of the derating of  $I_H$  at high temperatures as explained in the [Isolated DC/DC Converter](#) section.

The low-side LDO does not output a constant voltage and is not intended for powering any external circuitry. Do not connect any external load to the HLDO\_OUT pin.

## 9 Power Supply Recommendations

The AMC3306M25 is powered from the low-side power supply (VDD) with a nominal value of 3.3 V (or 5 V). TI recommends a low-ESR decoupling capacitor of 1 nF (C8 in 图 9-1) placed as close as possible to the VDD pin, followed by a 1- $\mu$ F capacitor (C9) to filter this power-supply path.

The low-side of the DC/DC converter is decoupled with a low-ESR 100-nF capacitor (C4) positioned close to the device between the DCDC\_IN and DCDC\_GND pins. Use a 1- $\mu$ F capacitor (C2) to decouple the high-side in addition to a low-ESR, 1-nF capacitor (C3) placed as close as possible to the device and connected to the DCDC\_OUT and DCDC\_HGND pins.

For the high-side LDO, use low-ESR capacitors of 1-nF (C6), placed as close as possible to the AMC3306M25, followed by a 100-nF decoupling capacitor (C5).

The ground reference for the high-side (HGND) is derived from the terminal of the shunt resistor which is connected to the negative input (INN) of the device. For best DC accuracy, use a separate trace to make this connection instead of shorting HGND to INN directly at the device input. The high-side DC/DC ground terminal (DCDC\_HGND) is shorted to HGND directly at the device pins.

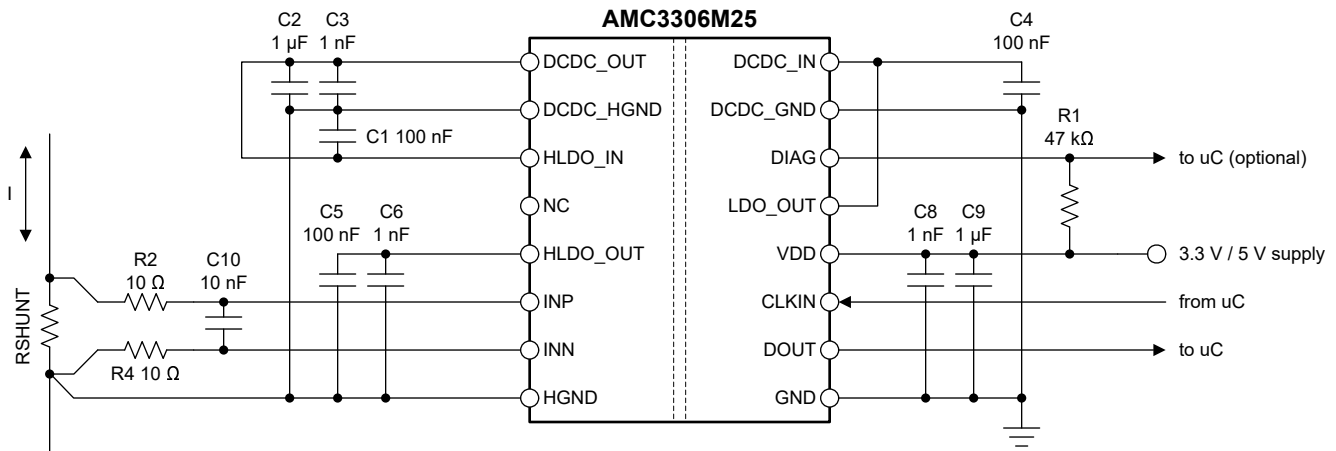


图 9-1. Decoupling the AMC3306M25

Capacitors must provide adequate *effective* capacitance under the applicable DC bias conditions they experience in the application. MLCC capacitors typically exhibit only a fraction of their nominal capacitance under real-world conditions and this factor must be taken into consideration when selecting these capacitors. This problem is especially acute in low-profile capacitors, in which the dielectric field strength is higher than in taller components. Reputable capacitor manufacturers provide capacitance versus DC bias curves that greatly simplify component selection.

表 9-1 lists components suitable for use with the AMC3306M25. This list is not exhaustive. Other components may exist that are equally suitable (or better), however these listed components have been validated during the development of the AMC3306M25.

表 9-1. Recommended External Components

DESCRIPTION	PART NUMBER	MANUFACTURER	SIZE (EIA, L x W)	
<b>VDD</b>				
C8	1 nF ± 10%, X7R, 50 V	12065C102KAT2A	AVX	1206, 3.2 mm x 1.6 mm
C9	1 µF ± 10%, X7R, 25 V	12063C105KAT2A	AVX	1206, 3.2 mm x 1.6 mm
<b>DC/DC CONVERTER</b>				
C4	100 nF ± 10%, X7R, 50 V	C0603C104K5RACAUTO	Kemet	0603, 1.6 mm x 0.8 mm
C3	1 nF ± 10%, X7R, 50 V	C0603C102K5RACTU	Kemet	0603, 1.6 mm x 0.8 mm
C2	1 µF ± 10%, X7R, 25 V	CGA3E1X7R1E105K080AC	TDK	0603, 1.6 mm x 0.8 mm
<b>HLDO</b>				
C1	100 nF ± 10%, X7R, 50 V	C0603C104K5RACAUTO	Kemet	0603, 1.6 mm x 0.8 mm
C5	100 nF ± 5%, NP0, 50 V	C3216NP01H104J160AA	TDK	1206, 3.2 mm x 1.6 mm
C6	1 nF ± 10%, X7R, 50 V	12065C102KAT2A	AVX	1206, 3.2 mm x 1.6 mm

## 10 Layout

### 10.1 Layout Guidelines

图 10-1 shows a layout recommendation with the critical placement of the decoupling capacitors. The same component reference designators are used as in the [Power Supply Recommendations](#) section. Decoupling capacitors are placed as close as possible to the AMC3306M25 supply pins. For best performance, place the shunt resistor close to the INP and INN inputs of the AMC3306M25 and keep the layout of both connections symmetrical.

This layout is used on the AMC3306M25 EVM and supports CISPR-11 compliant electromagnetic radiation levels.

### 10.2 Layout Example

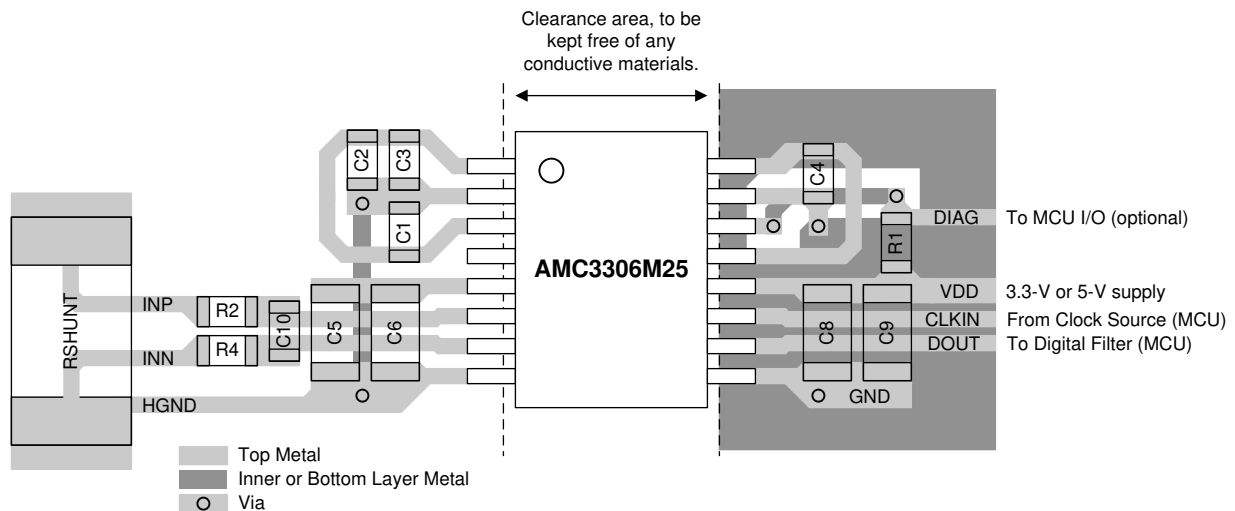


图 10-1. Recommended Layout of the AMC3306M25

## 11 Device and Documentation Support

### 11.1 Device Support

#### 11.1.1 Device Nomenclature

##### 11.1.1.1 Isolation Glossary

See the [Isolation Glossary](#)

### 11.2 Documentation Support

#### 11.2.1 Related Documentation

For related documentation see the following:

- Texas Instruments, [Isolation Glossary application report](#)
- Texas Instruments, [Semiconductor and IC Package Thermal Metrics application report](#)
- Texas Instruments, [ISO72x Digital Isolator Magnetic-Field Immunity application report](#)
- Texas Instruments, [Delta Sigma Modulator Filter Calculator design tool](#)

### 11.3 接收文档更新通知

要接收文档更新通知，请导航至 [ti.com](http://ti.com) 上的器件产品文件夹。点击 [订阅更新](#) 进行注册，即可每周接收产品信息更改摘要。有关更改的详细信息，请查看任何已修订文档中包含的修订历史记录。

### 11.4 支持资源

[TI E2E™ 支持论坛](#) 是工程师的重要参考资料，可直接从专家获得快速、经过验证的解答和设计帮助。搜索现有解答或提出自己的问题可获得所需的快速设计帮助。

链接的内容由各个贡献者“按原样”提供。这些内容并不构成 TI 技术规范，并且不一定反映 TI 的观点；请参阅 TI 的《[使用条款](#)》。

### 11.5 Trademarks

C2000™, Sitara™, and TI E2E™ are trademarks of Texas Instruments.

所有商标均为其各自所有者的财产。

### 11.6 Electrostatic Discharge Caution



This integrated circuit can be damaged by ESD. Texas Instruments recommends that all integrated circuits be handled with appropriate precautions. Failure to observe proper handling and installation procedures can cause damage.

ESD damage can range from subtle performance degradation to complete device failure. Precision integrated circuits may be more susceptible to damage because very small parametric changes could cause the device not to meet its published specifications.

### 11.7 Glossary

[TI Glossary](#) This glossary lists and explains terms, acronyms, and definitions.

## 12 Mechanical, Packaging, and Orderable Information

The following pages include mechanical, packaging, and orderable information. This information is the most current data available for the designated devices. This data is subject to change without notice and revision of this document. For browser-based versions of this data sheet, refer to the left-hand navigation.



## 重要声明和免责声明

TI 提供技术和可靠性数据 (包括数据表)、设计资源 (包括参考设计)、应用或其他设计建议、网络工具、安全信息和其他资源, 不保证没有瑕疵且不做任何明示或暗示的担保, 包括但不限于对适销性、某特定用途方面的适用性或不侵犯任何第三方知识产权的暗示担保。

这些资源可供使用 TI 产品进行设计的熟练开发人员使用。您将自行承担以下全部责任: (1) 针对您的应用选择合适的 TI 产品, (2) 设计、验证并测试您的应用, (3) 确保您的应用满足相应标准以及任何其他安全、安保或其他要求。这些资源如有变更, 恕不另行通知。TI 授权您仅可将这些资源用于研发本资源所述的 TI 产品的应用。严禁对这些资源进行其他复制或展示。您无权使用任何其他 TI 知识产权或任何第三方知识产权。您应全额赔偿因在这些资源的使用中对 TI 及其代表造成的任何索赔、损害、成本、损失和债务, TI 对此概不负责。

TI 提供的产品受 TI 的销售条款 (<https://www.ti.com/legal/termsofsale.html>) 或 [ti.com](https://www.ti.com) 上其他适用条款/TI 产品随附的其他适用条款的约束。TI 提供这些资源并不会扩展或以其他方式更改 TI 针对 TI 产品发布的适用的担保或担保免责声明。

邮寄地址: Texas Instruments, Post Office Box 655303, Dallas, Texas 75265  
Copyright © 2021, 德州仪器 (TI) 公司

**PACKAGING INFORMATION**

Orderable Device	Status (1)	Package Type	Package Drawing	Pins	Package Qty	Eco Plan (2)	Lead finish/ Ball material (6)	MSL Peak Temp (3)	Op Temp (°C)	Device Marking (4/5)	Samples
AMC3306M25DWE	ACTIVE	SOIC	DWE	16	40	RoHS & Green	NIPDAU	Level-3-260C-168 HR	-40 to 125	AMC3306M25	<a href="#">Samples</a>
AMC3306M25DWER	ACTIVE	SOIC	DWE	16	2000	RoHS & Green	NIPDAU	Level-3-260C-168 HR	-40 to 125	AMC3306M25	<a href="#">Samples</a>

(1) The marketing status values are defined as follows:

**ACTIVE:** Product device recommended for new designs.

**LIFEBUY:** TI has announced that the device will be discontinued, and a lifetime-buy period is in effect.

**NRND:** Not recommended for new designs. Device is in production to support existing customers, but TI does not recommend using this part in a new design.

**PREVIEW:** Device has been announced but is not in production. Samples may or may not be available.

**OBSOLETE:** TI has discontinued the production of the device.

(2) **RoHS:** TI defines "RoHS" to mean semiconductor products that are compliant with the current EU RoHS requirements for all 10 RoHS substances, including the requirement that RoHS substance do not exceed 0.1% by weight in homogeneous materials. Where designed to be soldered at high temperatures, "RoHS" products are suitable for use in specified lead-free processes. TI may reference these types of products as "Pb-Free".

**RoHS Exempt:** TI defines "RoHS Exempt" to mean products that contain lead but are compliant with EU RoHS pursuant to a specific EU RoHS exemption.

**Green:** TI defines "Green" to mean the content of Chlorine (Cl) and Bromine (Br) based flame retardants meet JS709B low halogen requirements of <=1000ppm threshold. Antimony trioxide based flame retardants must also meet the <=1000ppm threshold requirement.

(3) MSL, Peak Temp. - The Moisture Sensitivity Level rating according to the JEDEC industry standard classifications, and peak solder temperature.

(4) There may be additional marking, which relates to the logo, the lot trace code information, or the environmental category on the device.

(5) Multiple Device Markings will be inside parentheses. Only one Device Marking contained in parentheses and separated by a "~" will appear on a device. If a line is indented then it is a continuation of the previous line and the two combined represent the entire Device Marking for that device.

(6) Lead finish/Ball material - Orderable Devices may have multiple material finish options. Finish options are separated by a vertical ruled line. Lead finish/Ball material values may wrap to two lines if the finish value exceeds the maximum column width.

**Important Information and Disclaimer:**The information provided on this page represents TI's knowledge and belief as of the date that it is provided. TI bases its knowledge and belief on information provided by third parties, and makes no representation or warranty as to the accuracy of such information. Efforts are underway to better integrate information from third parties. TI has taken and continues to take reasonable steps to provide representative and accurate information but may not have conducted destructive testing or chemical analysis on incoming materials and chemicals. TI and TI suppliers consider certain information to be proprietary, and thus CAS numbers and other limited information may not be available for release.

In no event shall TI's liability arising out of such information exceed the total purchase price of the TI part(s) at issue in this document sold by TI to Customer on an annual basis.



**TAPE AND REEL INFORMATION**

**QUADRANT ASSIGNMENTS FOR PIN 1 ORIENTATION IN TAPE**


\*All dimensions are nominal

Device	Package Type	Package Drawing	Pins	SPQ	Reel Diameter (mm)	Reel Width W1 (mm)	A0 (mm)	B0 (mm)	K0 (mm)	P1 (mm)	W (mm)	Pin1 Quadrant
AMC3306M25DWER	SOIC	DWE	16	2000	330.0	16.4	10.75	10.7	2.7	12.0	16.0	Q1

**TAPE AND REEL BOX DIMENSIONS**


\*All dimensions are nominal

Device	Package Type	Package Drawing	Pins	SPQ	Length (mm)	Width (mm)	Height (mm)
AMC3306M25DWER	SOIC	DWE	16	2000	350.0	350.0	43.0

**TUBE**


\*All dimensions are nominal

Device	Package Name	Package Type	Pins	SPQ	L (mm)	W (mm)	T (μm)	B (mm)
AMC3306M25DWE	DWE	SO-MOD	16	40	506.98	12.7	4826	6.6

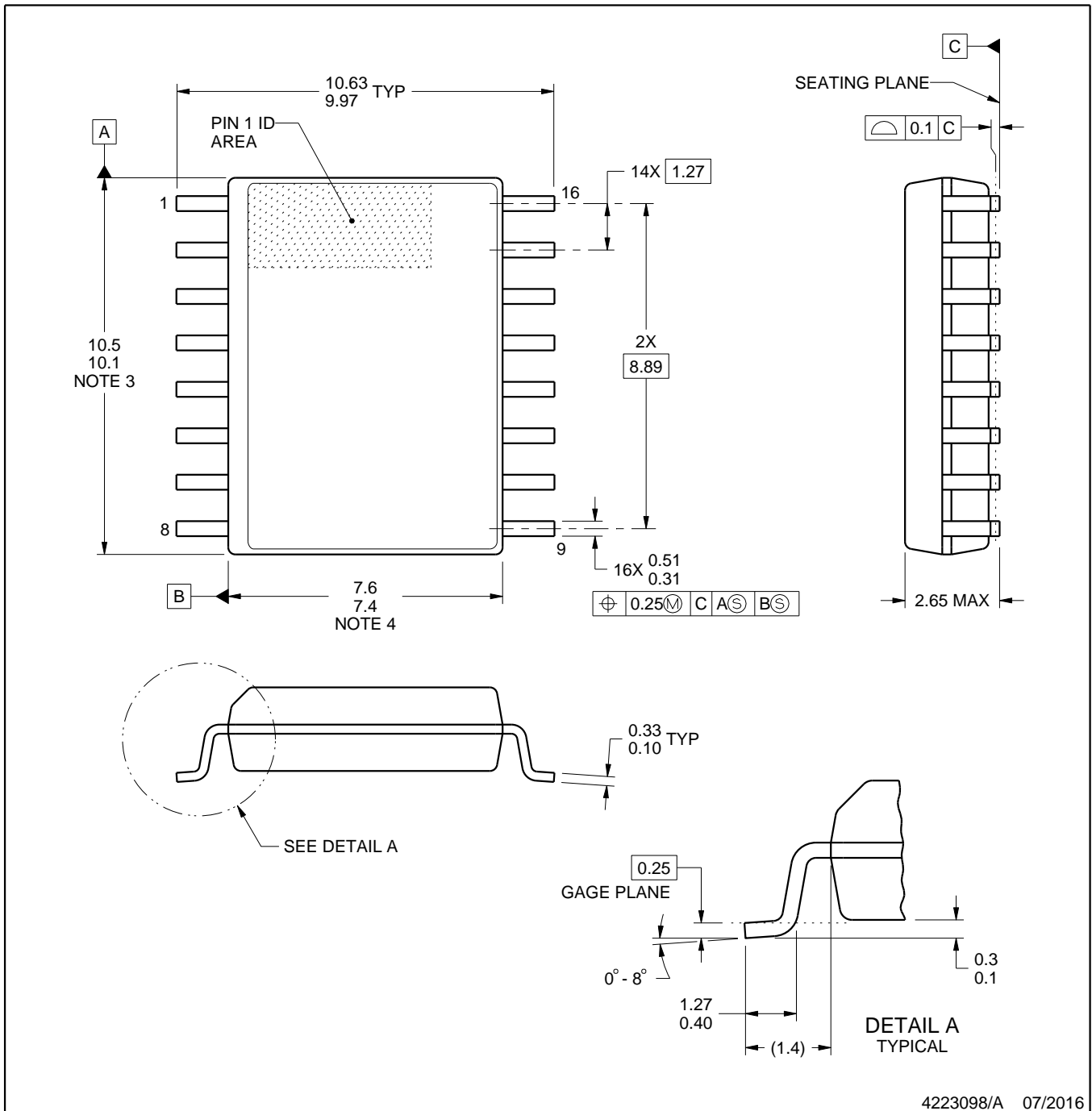


# DWE0016A

# PACKAGE OUTLINE

## SOIC - 2.65 mm max height

SOIC



4223098/A 07/2016

### NOTES:

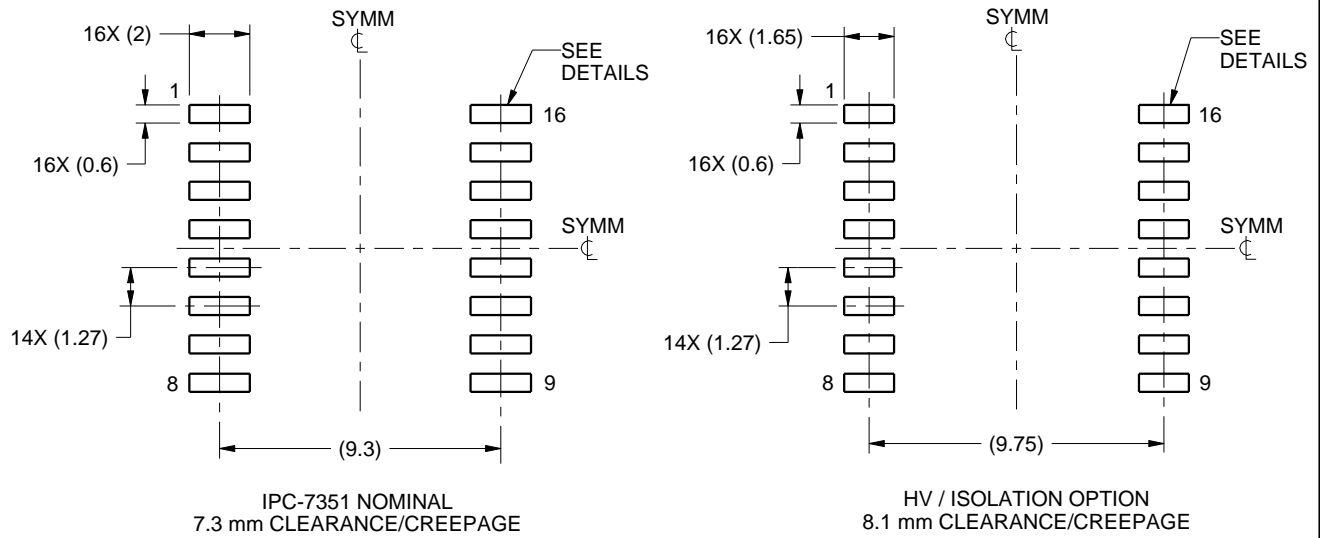
1. All linear dimensions are in millimeters. Any dimensions in parenthesis are for reference only. Dimensioning and tolerancing per ASME Y14.5M.
2. This drawing is subject to change without notice.
3. This dimension does not include mold flash, protrusions, or gate burrs. Mold flash, protrusions, or gate burrs shall not exceed 0.15 mm, per side.
4. This dimension does not include interlead flash. Interlead flash shall not exceed 0.25 mm, per side.
5. Reference JEDEC registration MS-013.

# EXAMPLE BOARD LAYOUT

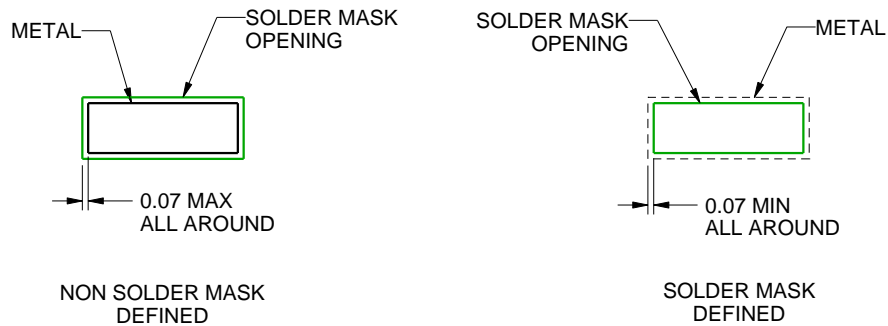
DWE0016A

SOIC - 2.65 mm max height

SOIC



LAND PATTERN EXAMPLE  
SCALE:4X



SOLDER MASK DETAILS

4223098/A 07/2016

NOTES: (continued)

- 6. Publication IPC-7351 may have alternate designs.
- 7. Solder mask tolerances between and around signal pads can vary based on board fabrication site.

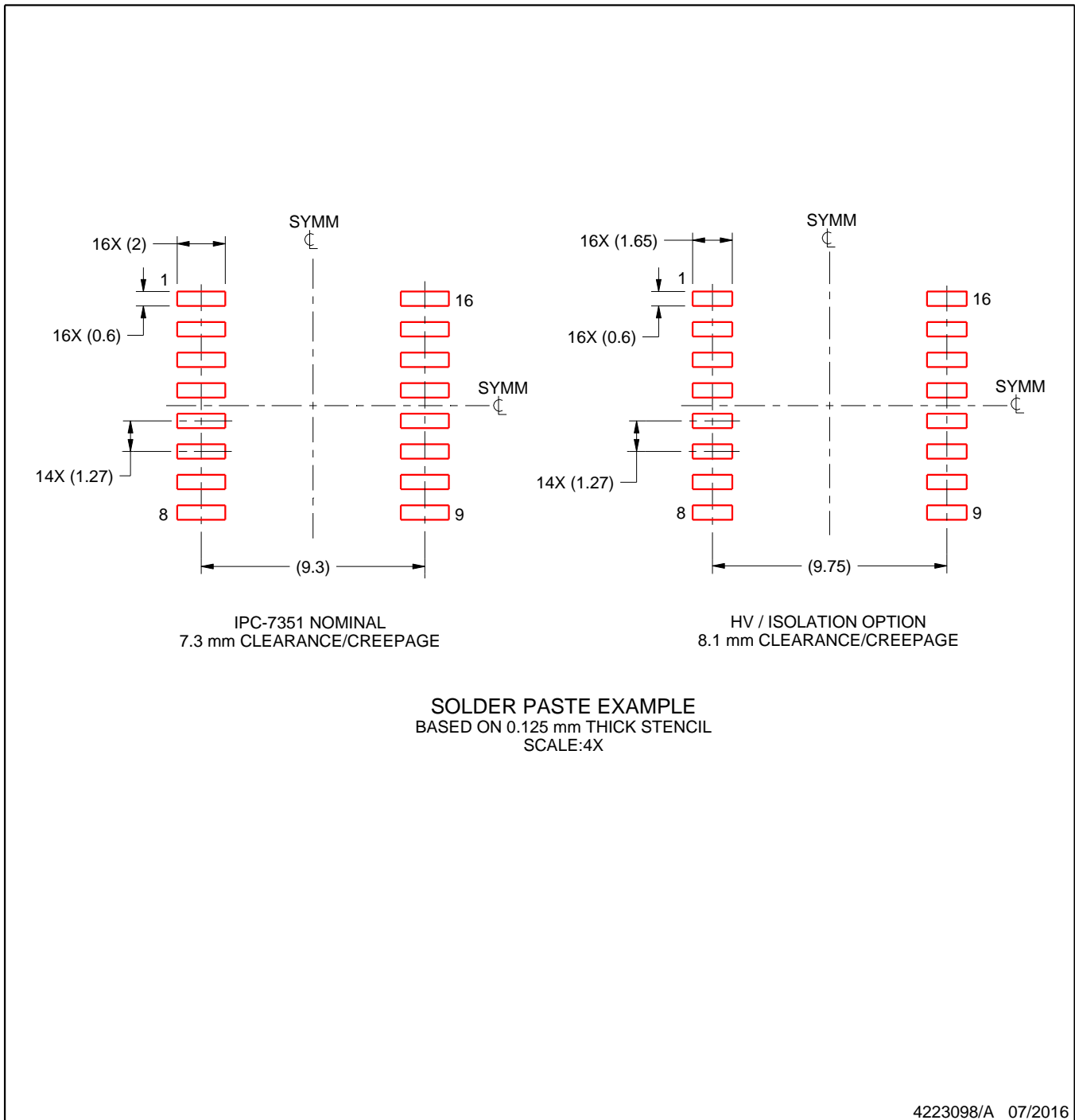


# EXAMPLE STENCIL DESIGN

DWE0016A

SOIC - 2.65 mm max height

SOIC



NOTES: (continued)

8. Laser cutting apertures with trapezoidal walls and rounded corners may offer better paste release. IPC-7525 may have alternate design recommendations.
9. Board assembly site may have different recommendations for stencil design.

## 重要声明和免责声明

TI“按原样”提供技术和可靠性数据（包括数据表）、设计资源（包括参考设计）、应用或其他设计建议、网络工具、安全信息和其他资源，不保证没有瑕疵且不做任何明示或暗示的担保，包括但不限于对适销性、某特定用途方面的适用性或不侵犯任何第三方知识产权的暗示担保。

这些资源可供使用 TI 产品进行设计的熟练开发人员使用。您将自行承担以下全部责任：(1) 针对您的应用选择合适的 TI 产品，(2) 设计、验证并测试您的应用，(3) 确保您的应用满足相应标准以及任何其他功能安全、信息安全、监管或其他要求。

这些资源如有变更，恕不另行通知。TI 授权您仅可将这些资源用于研发本资源所述的 TI 产品的应用。严禁对这些资源进行其他复制或展示。您无权使用任何其他 TI 知识产权或任何第三方知识产权。您应全额赔偿因在这些资源的使用中对 TI 及其代表造成的任何索赔、损害、成本、损失和债务，TI 对此概不负责。

TI 提供的产品受 [TI 的销售条款](#) 或 [ti.com](#) 上其他适用条款/TI 产品随附的其他适用条款的约束。TI 提供这些资源并不会扩展或以其他方式更改 TI 针对 TI 产品发布的适用的担保或担保免责声明。

TI 反对并拒绝您可能提出的任何其他或不同的条款。

邮寄地址：Texas Instruments, Post Office Box 655303, Dallas, Texas 75265

Copyright © 2022，德州仪器 (TI) 公司