

TI 设计: TIDA-01385

适用于故障指示灯且具备超级电容器的电流互感器能量收集参考设计



说明

TIDA-01385 设计实施了一种电路，该电路从电流互感器收集能量以供故障指示灯等系统负载使用，同时将多余的能量存储在 2.7V 超级电容器中。Li/SOCI2 主电池将用作备用电源，在电网故障时用于延长故障指示灯的运行时间。此 TI 设计的输入电流为 3mA 至 2A，电流互感器连接后，该设计可在 2 秒内为系统负载提供稳定的 3.6V 电压。

资源


TIDA-01385	设计文件夹
TPS61021A	产品文件夹
TLV3492	产品文件夹
ATL431A	产品文件夹
CSD13202Q2	产品文件夹
CSD25310Q2	产品文件夹
TIDA-00998	设计文件夹

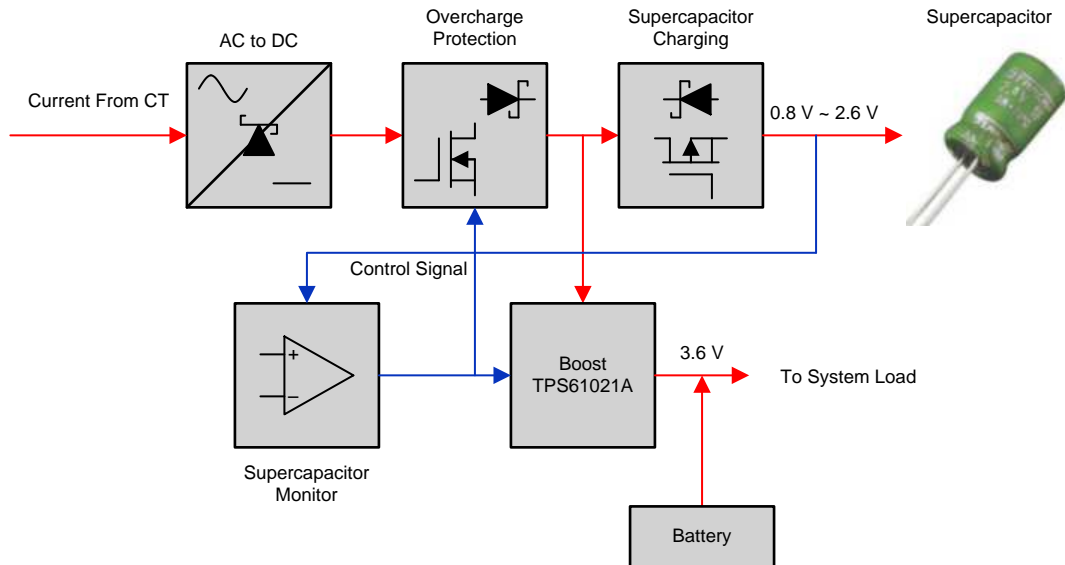
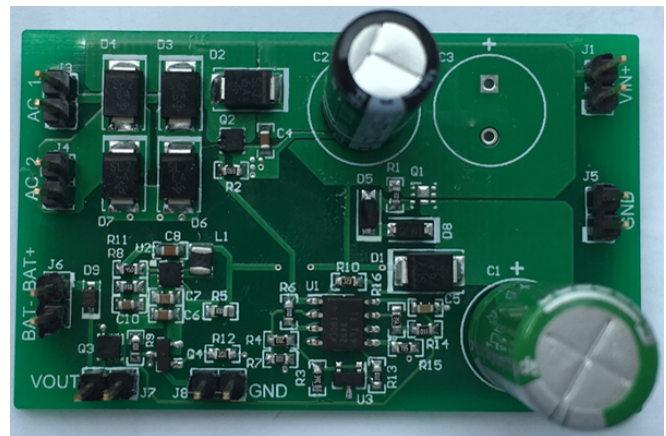
特性

- 从电流互感器收集能量
- 利用多余能量对超级电容器自动充电
- 2 秒内提供稳定输出电压
- 超级电容器完全充电保护
- 超低输入升压转换器，可最大限度地使用超级电容器存储的能量

应用范围

- 故障指示灯

咨询我们的 E2E 专家



Copyright © 2017, Texas Instruments Incorporated



该 TI 参考设计末尾的重要声明表述了授权使用、知识产权问题和其他重要的免责声明和信息。

1 System Description

A fault indicator is a device used in electric power distribution networks to detect and indicate fault conditions. The fault indicators reduce operating costs and service interruptions by providing information on the section of the network that has failed. To quickly identify the fault type and location, the latest fault indicator is required to record the operating data of the power networks, which is sent to the data concentrator with low-power wireless communication when necessary.

The power supply for the fault indicator is an energy harvesting device with the primary battery as backup. The energy harvesting devices could be the current transformer (CT) or solar cell. Because the energy from a CT varies with the current through the power lines or from solar cell changes with sunlight condition, an energy buffer such as a supercapacitor or rechargeable battery is required to provide stable power supply. The primary battery should be long shelf life (>10 year) lithium or lithium-ion based cells, such as a Li/SOCl₂ battery, considering the long lifetime of the fault indicator.

This reference design introduces a circuit to harvest energy from a CT to charge a supercapacitor and provide stable power for the system load. The backup primary battery is the Li/SOCl₂. For another reference design about energy harvesting in this application field, see the [TIDA-00998](#) design.

1.1 Key System Specifications

表 1 summarizes the key specifications for the TIDA-01385 design. The supercapacitor capacity can be selected based on real requirement without impacting the performance of the reference design.

表 1. Key System Specifications

PARAMETER	DESCRIPTION
CT input current	CT secondary peak current range of 3 mA to 2 A
Supercapacitor backup time	100 seconds with a 10-F capacitance and 50-mA load current
Output voltage	3.6 V when powered from the CT and supercapacitor
	3 to 3.3 V when powered from the primary battery
Output voltage startup time	2 seconds (typical)

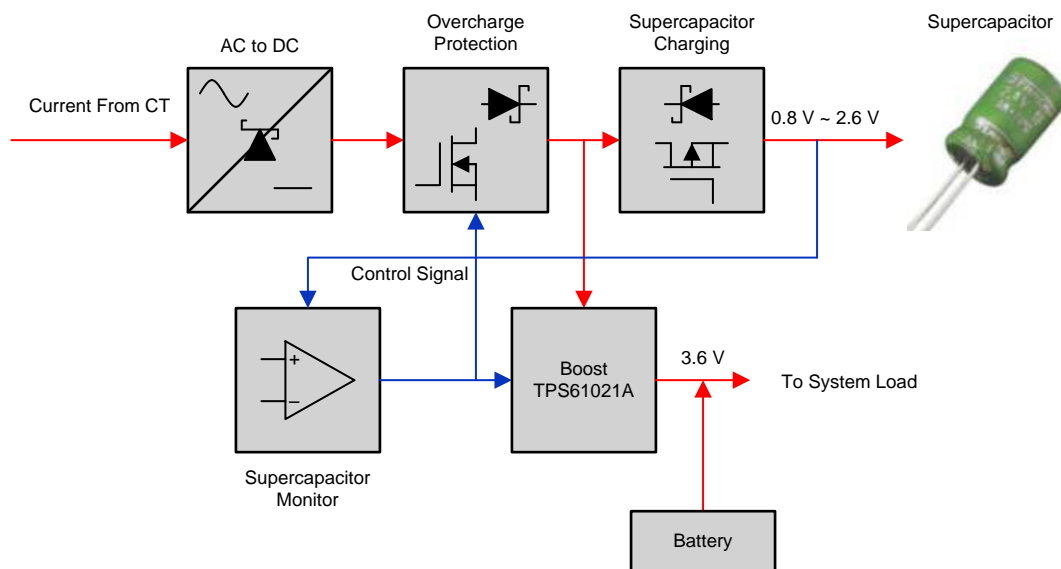
2 System Overview

2.1 Block Diagram

The block diagram of the TIDA-01385 is shown in 图 1. The power input is from the secondary side of the CT. The maximum input current of the CT should be lower than 2 A. The minimum input current depends on the system load requirement. Normally it should be higher than 3 mA.

The function of the each block is as follows:

- The AC to DC is a full-bridge rectifier, transferring the AC input current into DC current.
- The overcharge protection circuit shorts the current from the CT to ground when the supercapacitor is fully charged. The circuit becomes inactive and the current charges the supercapacitor again if the supercapacitor voltage is lower than a voltage threshold.
- The supercapacitor charging circuit charges the supercapacitor only when the input voltage is higher than 1.6 V, which is high enough for the operation of the TPS61021A. So all the energy from the CT can be used for the system load even if the supercapacitor voltage is zero.
- The supercapacitor monitor circuit controls the protection circuit to prevent the supercapacitor from overcharge.
- The boost converter TPS61021A boosts the low input voltage to 3.6 V for the system load. The 3.6-V voltage can prevent the battery from discharge during normal operating condition.
- The battery is a Li/SOCI2 battery and connected to a 3.6-V power rail through a Schottky diode in series. The battery can support system load when the power grid fails and the supercapacitor is out of charge.



Copyright © 2017, Texas Instruments Incorporated

图 1. Block Diagram of TIDA-01385

2.2 Highlighted Products

The reference design features the TPS61021A, TLV3492, ATL431, CSD13202Q2, and CSD25310Q2. The following subsections briefly summarize the key performance of each device. To find more details about each device, see their respective datasheets at TI.com.

2.2.1 TPS61021A

The TPS61021A is an ultra-low input voltage device. The device can operate with an input voltage between 0.5 and 4.4 V after it finishes startup from a 0.9-V input voltage. The wide input voltage range makes it suitable in the application that is powered by the signal-cell supercapacitor. Other key features of this device include:

- 17- μ A typical quiescent current
- PFM operation mode at light load
- Output overvoltage protection
- Output short-circuit protection
- 2-mm \times 2-mm WSON package
- True disconnection between input and output during shutdown

2.2.2 TLV3492

The TLV3492 is a 1.8-V, nano-power, dual push-pull comparator. The small power consumption helps to minimize the power loss of the reference design. The push-pull output can reduce the external components to drive the MOSFET. Other key features of this device include:

- Very low supply current: 0.8 μ A (typical)
- Input common-mode range: 200-mV beyond supply rails
- Supply voltage: 1.8 to 5.5 V
- High speed: 6 μ s
- Push-pull CMOS output stage

2.2.3 ATL431

The ATL431 is an adjustable, three-terminal shunt regulator with low quiescent current. The device is offered in two grades, with initial tolerances (at 25°C) of 0.5%, 1%, for the B and A grade, respectively. The reference design selects the grade device ATL431A. Other key features of this device include:

- Adjustable regulated output: 2.5 to 36 V
- Very-low operating current
- Internally compensated for stability
- Extended cathode current range: 35 μ A to 100 mA

2.2.4 CSD13202Q2 and CSD25310Q2

The CSD13202Q2 is a 12-V N-Channel power MOSFET. Its continue drain current is up to 14 A. Its gate-to-source threshold voltage is typically 0.8 V and the drain-to-source on-resistance is only 9.1 m Ω at a 2.5-V driving voltage.

The CSD25310Q2 is a 20-V P-Channel power MOSFET. The gate-to-source threshold voltage of this device is typically 0.85 V. The drain-to-source on-resistance is 27 mR at a 2.5-V driving voltage. The device has low thermal resistance and up to 150°C maximum operating junction temperature.

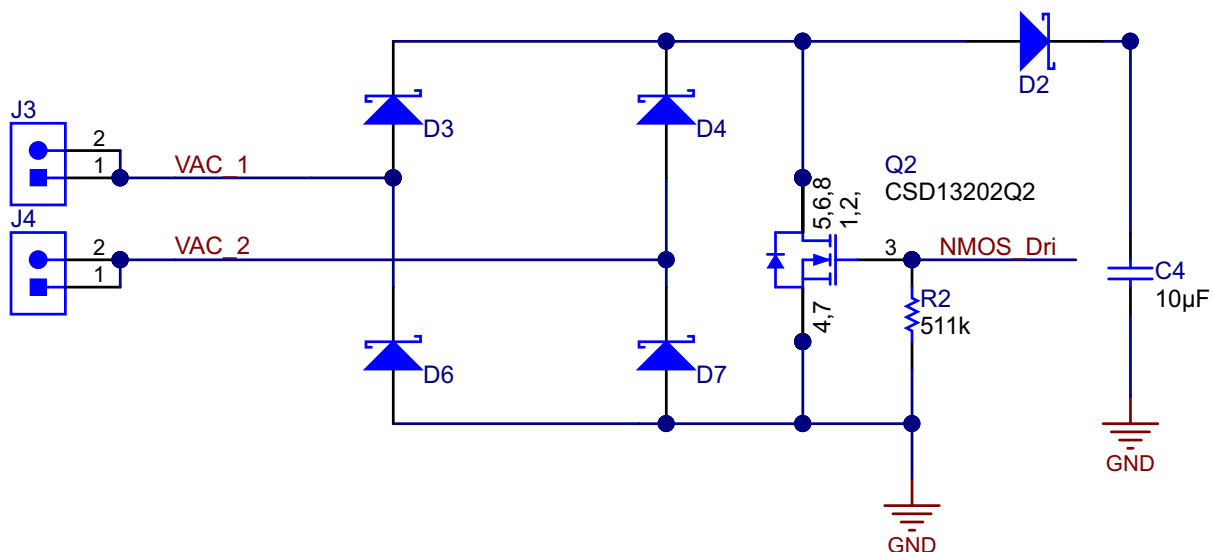
2.3 System Design Theory

The entire schematic of the TIDA-01385 can be found in the [TIDA-01385](#) design folder. The following subsections explain the behavior of each subcircuit.

2.3.1 Rectifier and Overcharge Protection

The circuit shown in [图 2](#) is used for rectifying the AC to input DC voltage and protecting the supercapacitor from overcharge. The full-bridge rectifier is composed of four Schottky diodes. The current capability of the Schottky diodes should be higher than maximum input current, which is 2 A in this reference design. The maximum voltage rating of diode must be higher than 5 V.

The N-type MOSFET Q2 is used to protect the supercapacitor from overcharging. When supercapacitor voltage is lower than setting limit 2.6 V, the Q2 opens, so the current flows through the D2 to power the system load and charge the supercapacitor. After the supercapacitor voltage reach 2.6 V, the Q2 turns on to short the input current into ground. When the supercapacitor is discharged to a setting value of 2.4 V by the load, Q2 opens again.



Copyright © 2017, Texas Instruments Incorporated

图 2. Rectifier and Overcharge Protection

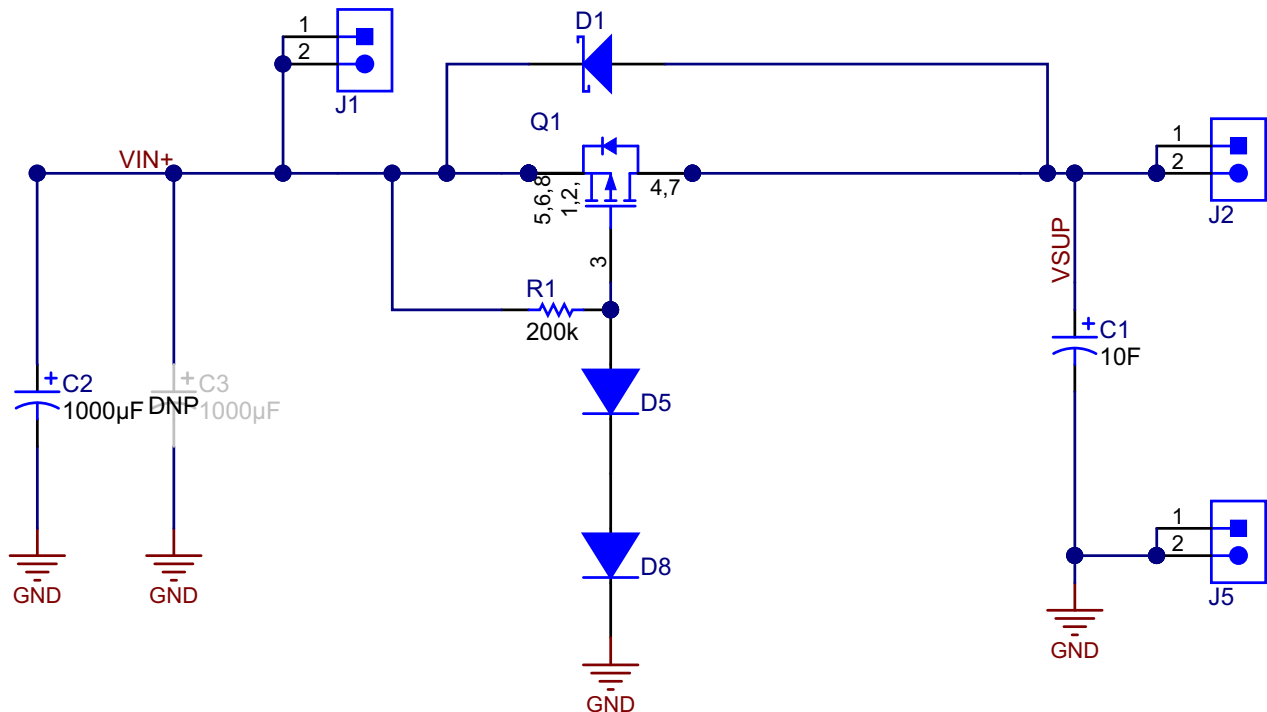
2.3.2 Supercapacitor Charging

The supercapacitor charging circuit is shown in 图 3. The function of the circuit is limiting the charging current according to the input voltage VIN+. The minimum voltage to charge the supercapacitor is defined by 公式 1:

$$V_{IN+MIN} = V_{GS_th} + 2 \times V_D \tag{1}$$

Where:

- V_{GS_th} is the gate-to-source threshold voltage of the P-FET Q1
- V_D is the forward voltage of the D5 and D8



Copyright © 2017, Texas Instruments Incorporated

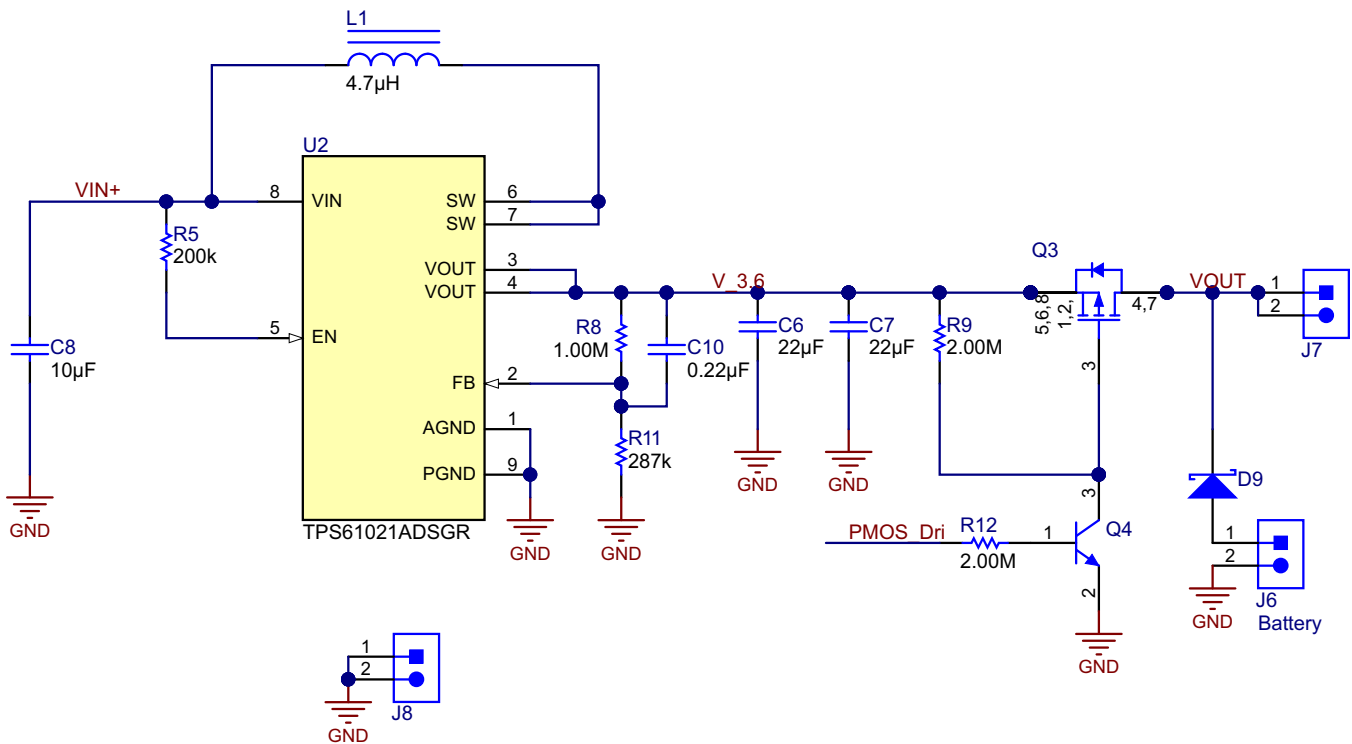
图 3. Schematic of Supercapacitor Charging Circuit

V_{GS_th} increases with the current flowing through the MOSFET channel (I_{DS}). V_{GS_th} is 0.8 V when the P-FET starts to conduct and is approximately 1.3 V when I_{DS} is 2 A. V_D also increases with the forward current. V_D is approximately 0.4 V if several microamps flow through it. Therefore, the minimum voltage to charge the supercapacitor V_{IN+MIN} is 1.6 V. No current flows through Q1 if VIN+ is lower than 1.6 V.

When input current is 2 A, V_{GS_th} will be approximately 1.3 V, so the VIN+ is 2.1 V even the supercapacitor is 0 V. The power loss in Q1 could reach 4 W at this condition. In the PCB layout, make sure the junction temperature of Q1 is not higher than 150°C for this short period.

2.3.3 Boost Converter Solution

The schematic of the boost converter solution TPS61021A is shown in 图 4. Most of the external components are selected based on the suggestion in the datasheet. The feed-forward capacitor C10 can help to extend the startup time of the boost converter. Long startup time reduces the inrush input current. This helps the reference design start up easily when the input current from the CT is weak. However, the feed-forward capacitor impacts the stability of the TPS61021A, so the system load current should be not higher than 50 mA.



Copyright © 2017, Texas Instruments Incorporated

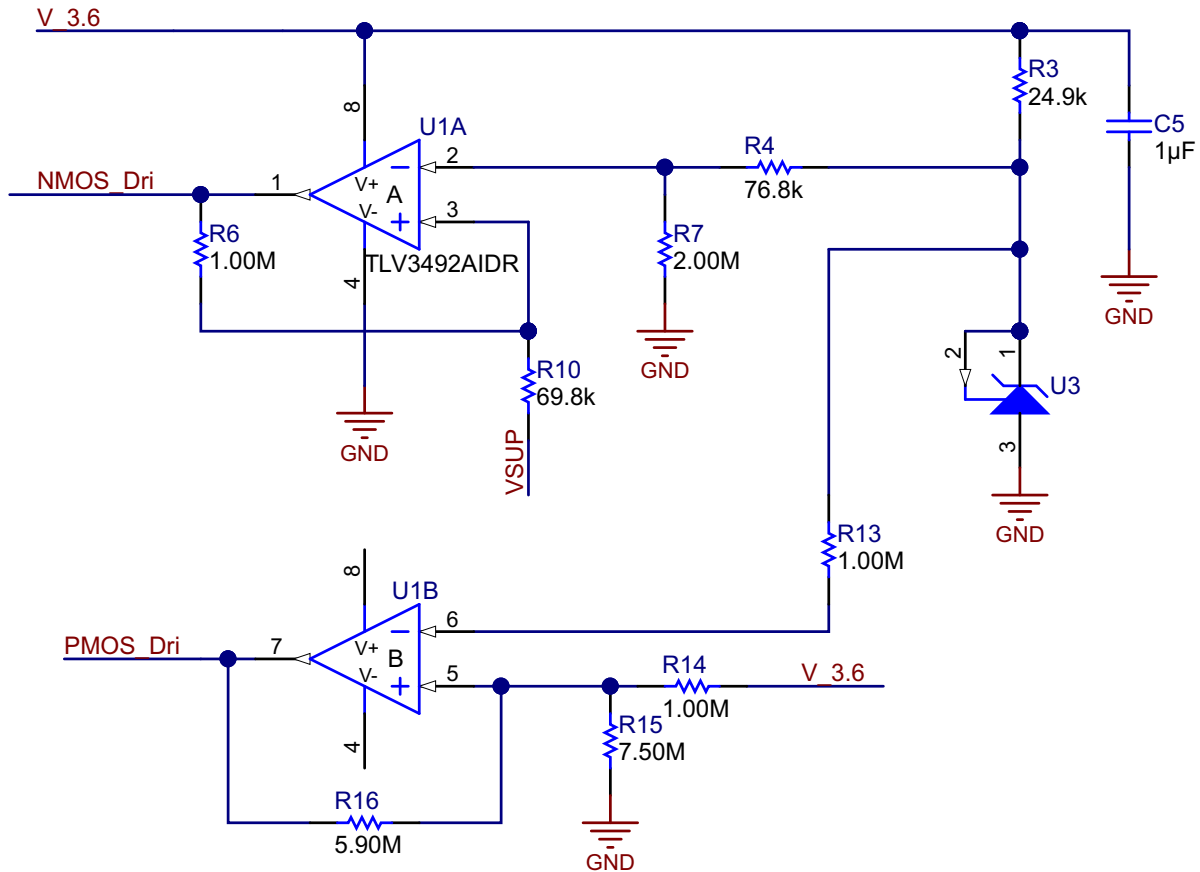
图 4. Schematic of Boost Converter Solution

The P-type MOSFET Q3 and NPN transistor Q4 in 图 4 closes only when the output voltage of the TPS61021A is higher than 3.3 V. This function is designed to prevent the system loads from operating at a low-voltage condition. Some system loads may consume large current when the voltage is closed to their minimum operating voltage. The large current requirement could cause the startup of the circuit to fail if the input current of the CT is weak. Depending on the performance in real applications, this function can be removed.

The 3.6-V primary battery is connected VOUT rail through a Schottky diode. No current flows out of the battery when the boost converter is working. After the power lines fail and the supercapacitor is out of charge, the Schottky diode starts to conduct and maintain the VOUT voltage at 3.3 V to about 3 V, which is related to the load condition. The Schottky diode can be replaced by a power multiplexer such as TPS211xA family devices for better performance. See Section 3.2 of the [TIDA-00998 design guide](#) for more information (TIDUCL5).

2.3.4 Supercapacitor Protection Circuit

图 5 显示了超电容保护和系统负载启动电压的示意图。U3 是一个具有低静态电流的旁路稳压器，提供 2.5-V 参考电压。U1A 用于驱动 Q2 并控制超电容电压。U1B 用于控制电压以打开 Q3。



Copyright © 2017, Texas Instruments Incorporated

图 5. Schematic of Supercapacitor Protection Circuit

The overcharge protection voltage is set by 公式 2, and the recharging voltage is set by 公式 3:

$$V_{\text{SUP_OV}} = 2.5 \times \frac{R_7}{R_4 + R_7} \times \frac{R_6 + R_{10}}{R_6} \quad (2)$$

$$V_{\text{SUP_OV}} = \left(2.5 \times \frac{R_7}{R_4 + R_7} - 3.6 \times \frac{R_{10}}{R_6 + R_{10}} \right) \times \frac{R_6 + R_{10}}{R_6} \quad (3)$$

In the U1B circuit of 图 5, R15 is added to make sure the positive input voltage is lower than the negative input voltage at the beginning of V_3.6 startup. As defined by 公式 4 and 公式 5, U1B outputs high voltage if the V_3.6 voltage is higher than V_3.6_H; U1B outputs low voltage if the V_3.6 voltage is lower than V_3.6_L.

$$V_{_3.6_H} = 2.5 \times \left(\frac{R_{15} \times R_{16}}{R_{15} + R_{16}} + R_{14} \right) \div \frac{R_{15} \times R_{16}}{R_{15} + R_{16}} \quad (4)$$

$$V_{_3.6_L} = 2.5 \times \left(\frac{R_{14} \times R_{16}}{R_{14} + R_{16}} + R_{15} \right) \div R_{15} \quad (5)$$

3 Getting Started Hardware

The functions of the connectors are described in [表 2](#).

表 2. Function of Connectors

CONNECTORS	DESCRIPTION
J1	Input voltage of the boost converter and the supercapacitor charging circuit
J2	Supercapacitor voltage
J3, J4	CT input
J5, J8	Ground of the supercapacitor
J6	Primary battery
J7	Reference design output

To demonstrate the energy harvest and the supercapacitor charging circuit function, the primary battery is not attached during the following bench test. Connect J3 and J4 to the secondary side of the CT or simulation current source. Connect the J7 and J8 to the system load. The circuit starts to operate if there is current flowing into J3 and J4.

4 Testing and Results

4.1 Startup With Supercapacitor Out of Charge

Using a DC current source to simulate the CT and the rectifier, the startup waveform is shown in [图 6](#) when the average input current is 3 mA. The supercapacitor voltage is zero, so the reference design is powered by the energy from the CT. The TPS61021 starts operating when the VIN+ reaches 0.9 V. The output voltage of the TPS61021A V_3.6 ramps up to 3.6 V within one second. The Q3 closes as V_3.6 reaches 3.3 V, so the VOUT ramps up to 3.3 V quickly and then follows the V_3.6. At the beginning, VOUT rushes to 1 V for a short period because Q3 conducts when the power for the comparator is not ready. After VOUT is stable at 3.6 V, VIN+ also becomes stable at approximately 1.6 V. This voltage is the minimum amount to charge the supercapacitor.

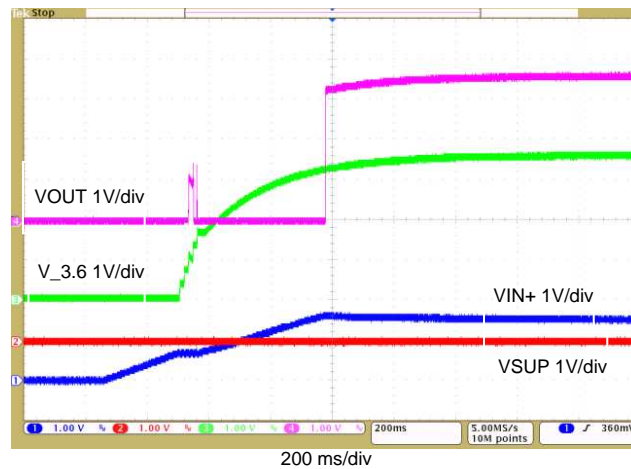


图 6. Startup With 3-mA Input Current and 4-kΩ Load

4.2 Supercapacitor Overvoltage Protection

The supercapacitor overcharge voltage and the recover voltage can be simply measured by removing the supercapacitor or applying a large charging and discharging current to the reference design. When the supercapacitor is removed and the input current is 3 mA, the stable waveform is shown in [图 7](#). The supercapacitor stops charging when the VSUP reaches 2.6 V. The VSUP starts charging again when the voltage falls below 2.4 V. The VOUT keeps stable during this period.

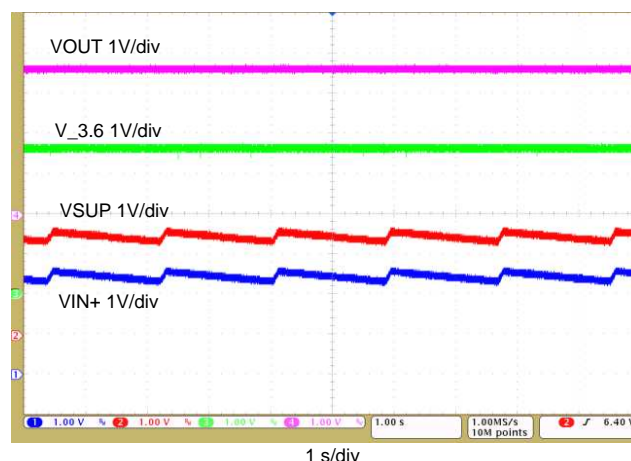


图 7. Overcharge Protection Measurement With 3-mA Input Current

At a 2-A input current condition, the operating waveform is shown in 图 8. The VSUP slowly drop down to 2.4 V by the 50-mA load, then the 10-F supercapacitor starts charging. The VSUP ramps up quickly because of the large input current. When VSUP reaches 2.6 V, the supercapacitor stops charging. As a result, VSUP decreases toward 2.4 V again. VOUT keeps stable during this period.

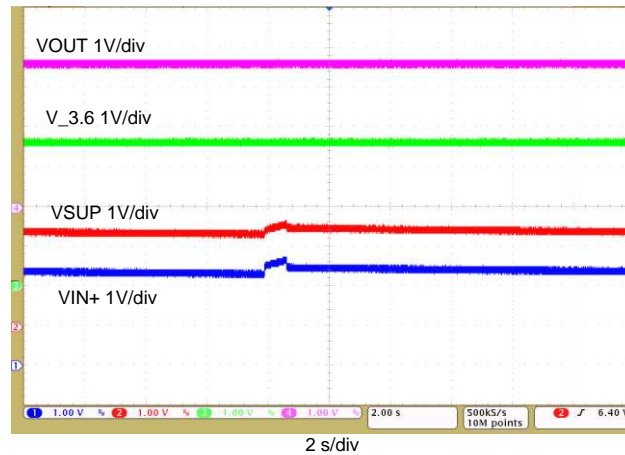


图 8. Overcharge Protection Measurement With 2-A Input Current

4.3 Supercapacitor Charging and Discharging

图 9 shows the waveform that supercapacitor voltage ramps from 0 to 2.6 V with a 500-mA input current. The supercapacitor voltage stops charging if the voltage reaches 2.6 V. The output voltage keeps stable during the charging period.

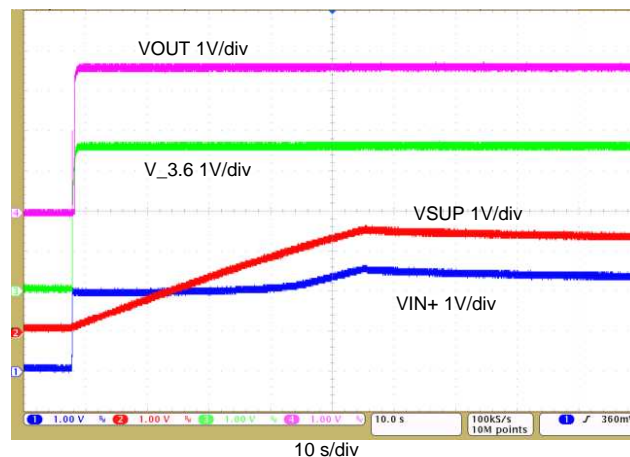


图 9. Supercapacitor Charging With 500-mA Input Current

图 10 shows the discharge waveform of the supercapacitor by a 50-mA load at the VOUT after the CT input is removed. The minimum supercapacitor voltage is 0.8 V, at which condition VOUT becomes out of regulation.

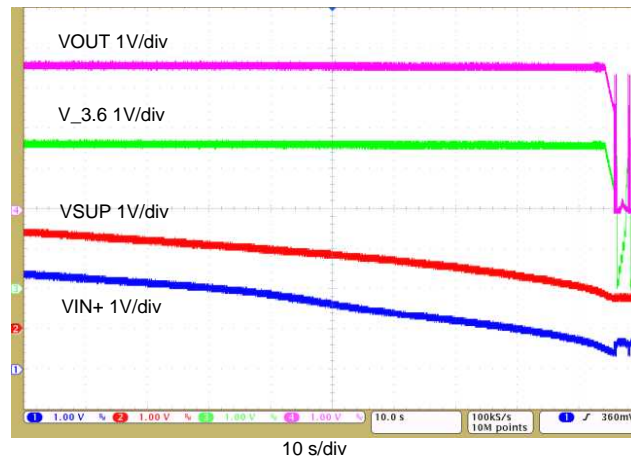


图 10. Supercapacitor Discharge Waveform With 50-mA Load

5 Design Files

5.1 Schematics

To download the schematics, see the design files at [TIDA-01385](#).

5.2 Bill of Materials

To download the bill of materials (BOM), see the design files at [TIDA-01385](#).

5.3 Layout Prints

To download the layer plots, see the design files at [TIDA-01385](#).

5.4 Altium Project

To download the Altium project files, see the design files at [TIDA-01385](#).

5.5 Gerber Files

To download the Gerber files, see the design files at [TIDA-01385](#).

5.6 Assembly Drawings

To download the assembly drawings, see the design files at [TIDA-01385](#).

6 Related Documentation

This design guide did not use any related documentation.

6.1 商标

All trademarks are the property of their respective owners.

7 About the Author

JASPER LI is a power application engineer for the Texas Instruments Boost Converter Solution Group. In this role, he supports worldwide customers, writes application notes, and develops reference designs. Since 2013 his focus has been on ultra-low-power applications. Jasper received his master's degree in power electronics in 2013 at Zhejiang University in China.

有关 TI 设计信息和资源的重要通知

德州仪器 (TI) 公司提供的技术、应用或其他设计建议、服务或信息，包括但不限于与评估模块有关的参考设计和材料（总称“TI 资源”），旨在帮助设计人员开发整合了 TI 产品的应用；如果您（个人，或如果是代表贵公司，则为贵公司）以任何方式下载、访问或使用了任何特定的 TI 资源，即表示贵方同意仅为该等目标，按照本通知的条款进行使用。

TI 所提供的 TI 资源，并未扩大或以其他方式修改 TI 对 TI 产品的公开适用的质保及质保免责声明；也未导致 TI 承担任何额外的义务或责任。TI 有权对其 TI 资源进行纠正、增强、改进和其他修改。

您理解并同意，在设计应用时应自行实施独立的分析、评价和判断，且应全权负责并确保应用的安全性，以及您的应用（包括应用中使用的 TI 产品）应符合所有适用的法律法规及其他相关要求。您就您的应用声明，您具备制订和实施下列保障措施所需的一切必要专业知识，能够 (1) 预见故障的危险后果，(2) 监视故障及其后果，以及 (3) 降低可能导致危险的故障几率并采取适当措施。您同意，在使用或分发包含 TI 产品的任何应用前，您将彻底测试该等应用和该等应用所用 TI 产品的功能。除特定 TI 资源的公开文档中明确列出的测试外，TI 未进行任何其他测试。

您只有在为开发包含该等 TI 资源所列 TI 产品的应用时，才被授权使用、复制和修改任何相关单项 TI 资源。但并未依据禁止反言原则或其他法律授予您任何 TI 知识产权的任何其他明示或默示的许可，也未授予您 TI 或第三方的任何技术或知识产权的许可，该等产权包括但不限于任何专利权、版权、屏蔽作品权或与使用 TI 产品或服务的任何整合、机器制作、流程相关的其他知识产权。涉及或参考了第三方产品或服务的信息不构成使用此类产品或服务的许可或与其相关的保证或认可。使用 TI 资源可能需要您向第三方获得对该等第三方专利或其他知识产权的许可。

TI 资源系“按原样”提供。TI 兹免除对 TI 资源及其使用作出所有其他明确或默认的保证或陈述，包括但不限于对准确性或完整性、产权保证、无复发故障保证，以及适销性、适合特定用途和不侵犯任何第三方知识产权的任何默认保证。

TI 不负责任何申索，包括但不限于因组合产品所致或与之有关的申索，也不为您辩护或赔偿，即使该等产品组合已列于 TI 资源或其他地方。对因 TI 资源或其使用引起或与之有关的任何实际的、直接的、特殊的、附带的、间接的、惩罚性的、偶发的、从属或惩戒性损害赔偿，不管 TI 是否获悉可能会产生上述损害赔偿，TI 概不负责。

您同意向 TI 及其代表全额赔偿因您不遵守本通知条款和条件而引起的任何损害、费用、损失和/或责任。

本通知适用于 TI 资源。另有其他条款适用于某些类型的材料、TI 产品和服务的使用和采购。这些条款包括但不限于适用于 TI 的半导体产品 (<http://www.ti.com/sc/docs/stdterms.htm>)、[评估模块](http://www.ti.com/sc/docs/sampters.htm)和样品 (<http://www.ti.com/sc/docs/sampters.htm>) 的标准条款。

邮寄地址：上海市浦东新区世纪大道 1568 号中建大厦 32 楼，邮政编码：200122
Copyright © 2017 德州仪器半导体技术（上海）有限公司