

## TI Designs: TIDA-01491

# 具有同轴电缆供电滤波器的汽车摄像头 PMIC 电源参考设计



### 说明

此参考设计采用同轴电缆 (POC) 滤波器网络、中  $V_{IN}$  同步降压直流/直流转换器和低  $V_{IN}$  电源管理 IC (PMIC), 展示了一款尺寸小于 18mmx18mm 的典型汽车摄像头电源解决方案。此解决方案使用 FAKRA 连接器通过一根同轴电缆进行数据和电源传输, 使用低通滤波器网络隔离数据和负载, 并提供可通过外部反馈电阻调节的定序输出电压。该解决方案增加了四个数据、模拟电源、数字电源和 IO 电源输出终端, 可通过外部负载评估。

### 资源

<a href="#">TIDA-01491</a>	设计文件夹
<a href="#">TPS62160-Q1</a>	产品文件夹
<a href="#">TPS65000-Q1</a>	产品文件夹

### 特性

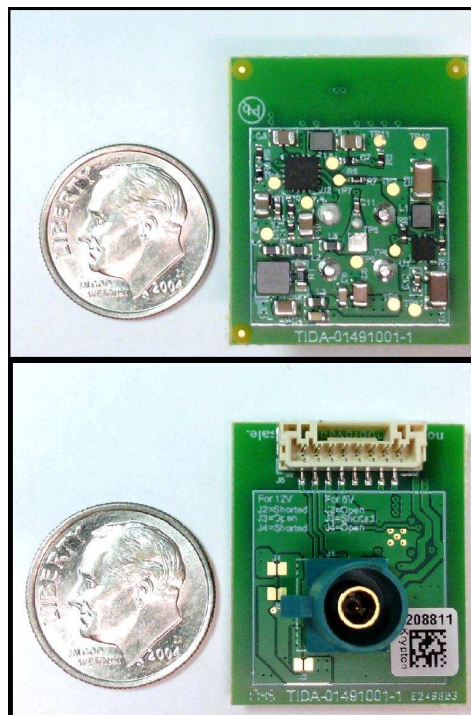
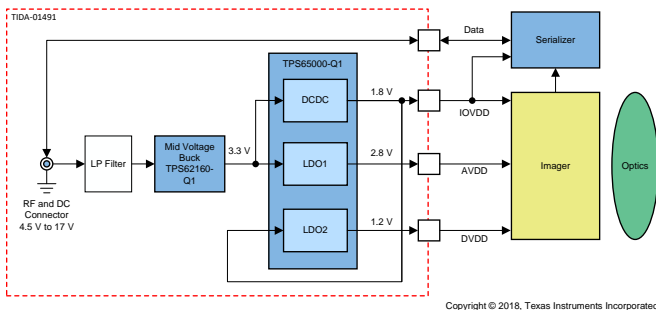
- 支持 4.5V 至 17V 输入电压
- 用户可配置电压
- 尺寸小于 18mmx18mm、经过空间优化的单面设计
- TPS62160-Q1 中  $V_{IN}$  降压前置稳压器
- 用于摄像头传感器电源轨的 TPS65000-Q1 PMIC
- POC 滤波器网络

### 应用

- [前置摄像头](#)
- [后置摄像头](#)
- [环视](#)
- [机器视觉](#)



咨询我们的 E2E™ 专家



该 TI 参考设计末尾的重要声明表述了授权使用、知识产权问题和其他重要的免责声明和信息。

## 1 System Description

This reference design demonstrates a versatile 18-mm×18-mm solution capable of isolating data from analog (AVDD), digital (DVDD), and IO (IOVDD) power domains typically used in a power-over-coax (POC) camera application. The design uses only automotive qualified capacitors, inductors, and semiconductors and includes useful test points, external feedback resistors, and configuration jumpers for versatility and experimentation. The system uses a FAKRA coaxial connector, a high-frequency filter network, a mid- $V_{IN}$  buck pre-regulator, and a low- $V_{IN}$  camera power management IC (PMIC) to efficiently supply voltages typically used for imagers and their accompanying serializers. This module is made flexible enough to support various low-power digital and analog applications that could benefit from POC installations.

### 1.1 Key System Specifications

表 1. Key System Specifications

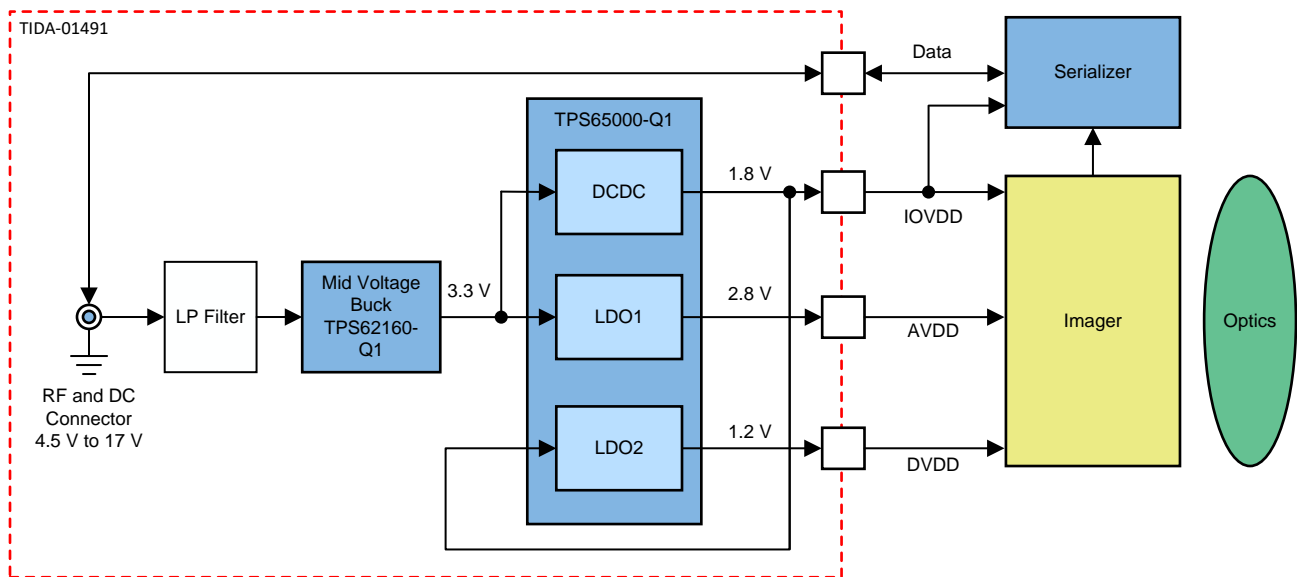
PARAMETER	SPECIFICATIONS	DETAILS
Input voltage range	4.5 V to 17 V	<a href="#">节 2.2.1</a>
Input connector type	FAKRA Coaxial HF (DIN 72594-1)	<a href="#">4.2 节</a>
Pre-regulator output voltage	3.3 V	<a href="#">节 2.4.2</a>
PMIC buck input voltage range	2.5 V to 5.5 V	<a href="#">节 2.4.3</a>
PMIC buck output voltage	1.8 V	<a href="#">节 2.4.3</a>
PMIC buck output current	600 mA	<a href="#">节 2.2.2</a>
PMIC LDO1 output voltage	2.8 V	<a href="#">节 2.4.3</a>
PMIC LDO1 output current	300 mA	<a href="#">节 2.2.2</a>
PMIC LDO2 output voltage	1.2 V	<a href="#">节 2.4.3</a>
PMIC LDO2 output current	300 mA	<a href="#">节 2.2.2</a>
Regulator power sequence	Pre-regulator (3.3 V) → PMIC LDO1 (2.8 V), PMIC Buck (1.8 V) → PMIC LDO2 (1.2 V)	<a href="#">节 2.4.3</a>
Form factor	18 mm × 18 mm	<a href="#">节 4.3.1</a>

## 2 System Overview

POC allows a single cable to transmit both data and power to remote communication modules, providing installation benefits for applications such as camera imagers. Imagers are often installed in remote locations and require separate power rails for analog, digital, and IO domains and typically bidirectional communication. Camera imagers only consume moderate amounts of power while operating. This reference design demonstrates a two-chip solution capable of supporting various camera imagers as well as accompanying serializers or other sensor modules that can benefit from robust remote installations.

To increase the versatility of this platform, a small footprint is targeted for space constrained installations. A pre-regulator allows DC cable voltages up to 17 V, capable of supporting typical 12-V or 9-V systems. For 5-V systems, the pre-regulator can be bypassed to demonstrate a single-chip power solution. All output voltages are adjustable for versatility using external feedback resistors, and both regulators offer fixed voltage alternatives for further component reduction.

### 2.1 Block Diagram



Copyright © 2018, Texas Instruments Incorporated

图 1. TIDA-01491 Block Diagram

This reference design incorporates an automotive grade coaxial connector, low-pass filter, mid- $V_{IN}$  step-down converter, and low- $V_{IN}$  PMIC for distributing power and data to the imager and serializer of a camera.

### 2.2 Highlighted Products

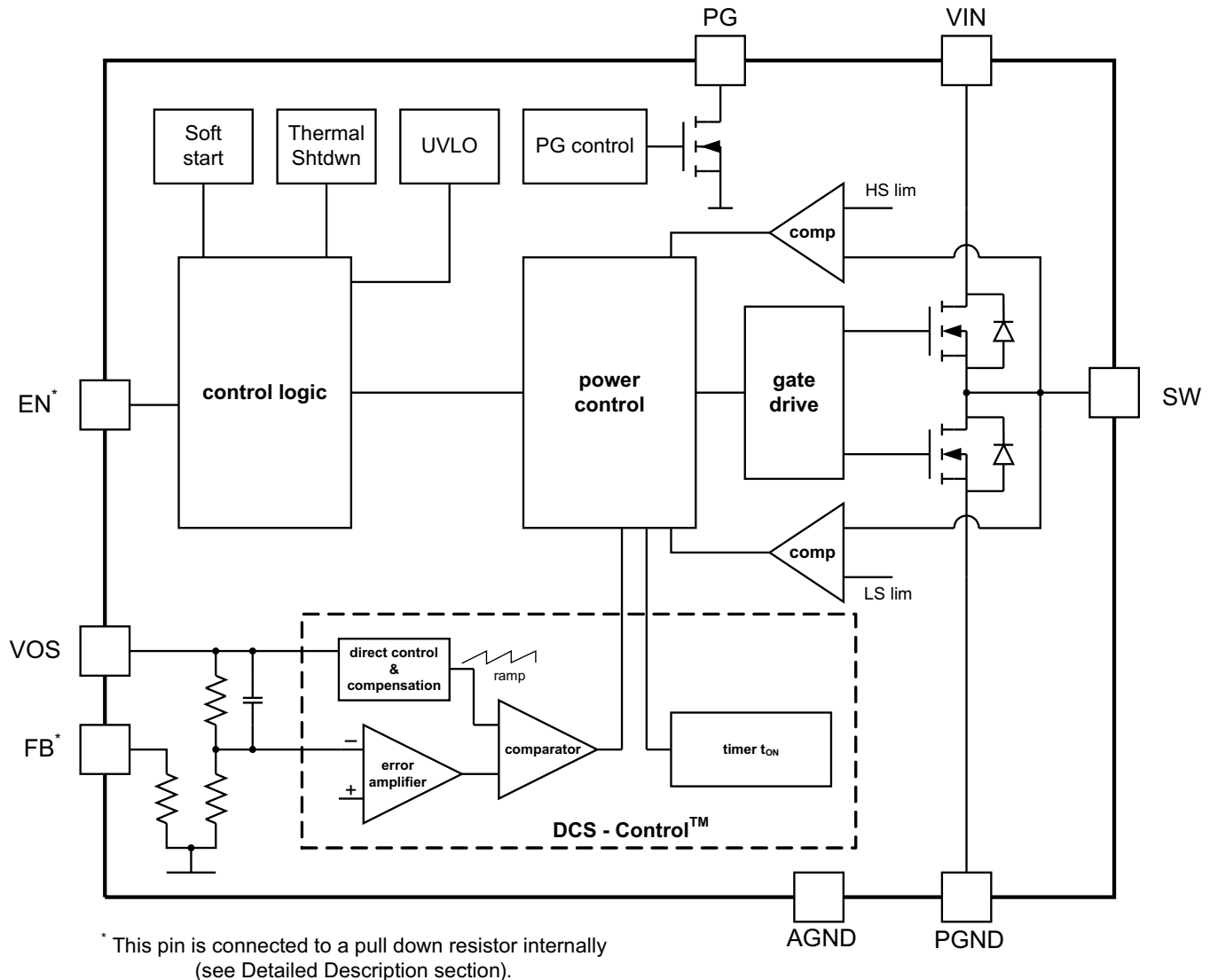
This reference design uses the following TI products:

- TPS62160-Q1: Automotive Qualified Wide- $V_{IN}$  Synchronous Step-Down Converter
- TPS65000-Q1: Automotive Qualified PMIC

For more information on each of these devices, see their respective product folders at [TI.com](http://ti.com).

### 2.2.1 TPS62160-Q1

The TPS62160-Q1 is a Texas Instruments automotive-qualified, step-down DC/DC converter with a wide operating input voltage range of 3 V to 17 V. The converter supports up to 1 A of continuous output current. The device has a high switching frequency of typically 2.25 MHz that uses a DCS-Control™ topology for high output voltage accuracy. The device is offered in small 8-pin, WSON, 2x2-mm package (DSG).



Copyright © 2016, Texas Instruments Incorporated

图 2. TPS62160-Q1 Functional Block Diagram

Key features of this device include:

- Switching frequency: 2.25 MHz
- Wide  $V_{IN}$ : 3 V to 17 V
- Adjustable output voltage range: 0.9 V to 6 V
- 1-A continuous output current
- Power sequencing, enable, and open-drain Power Good pins

- Short circuit protection
- Undervoltage lockout (UVLO)
- Overtemperature Protection
- WSON package, 2x2-mm (DSG)

### 2.2.2 TPS65000-Q1

The TPS65000-Q1 is a Texas Instruments automotive qualified PMIC. The device combines a single step-down converter and two low-dropout regulators. This PMIC has a maximum input voltage of 6 V for all regulators, a minimum input of 2.3 V for the DC/DC, and a minimum input of 1.6 V for the LDOs. The TPS65000-Q1 supports either a 2.25-MHz forced PWM operation with spread-spectrum or an automatic transition to PFM mode for maximum light load efficiency. The device is available in a small 16-pin, leadless, 3x3-mm QFN package.

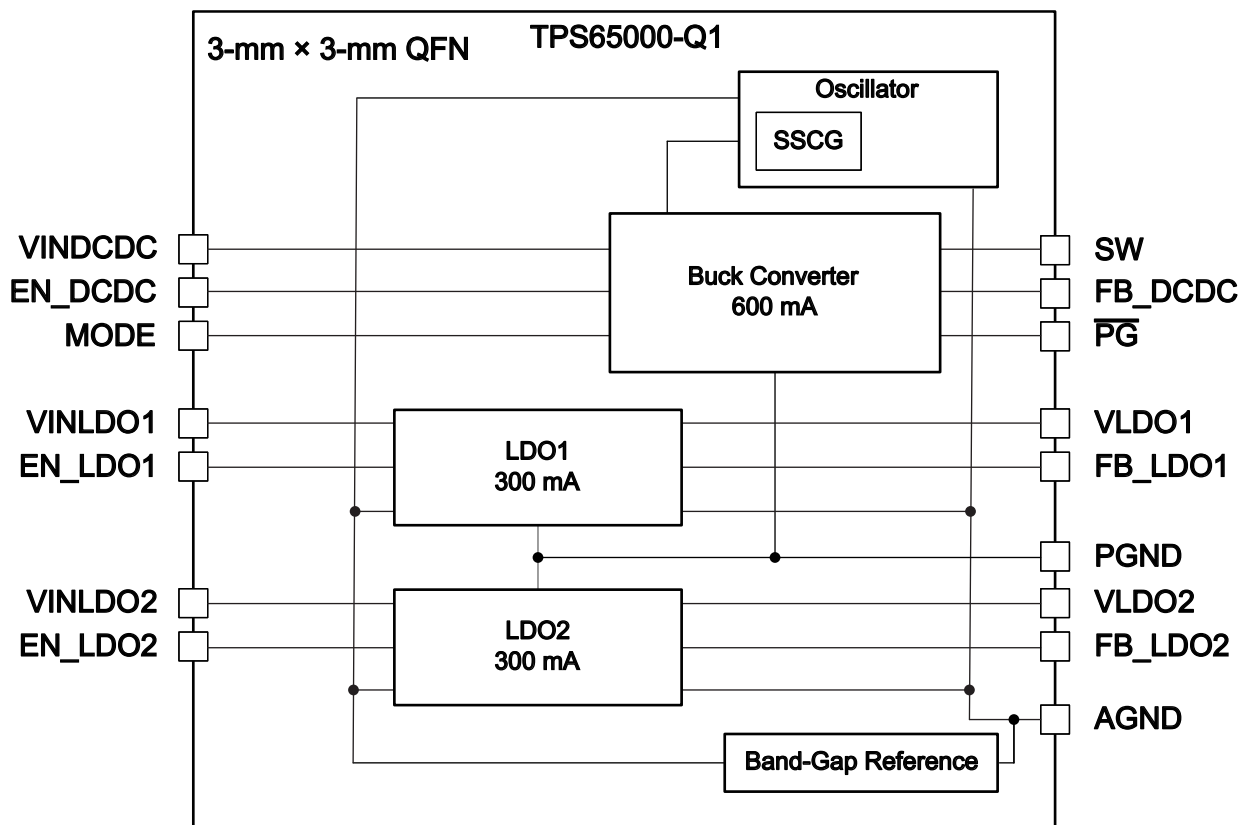


图 3. TPS65000-Q1 Functional Block Diagram

Key features of this device include:

- $V_{IN} = 2.3\text{ V to }6\text{ V}$
- Spread-spectrum clock (SSC) generation for reduced EMI
- 2.25-MHz fixed-frequency operation
- Step-down converter:  $V_{IN} = 2.3\text{ V to }6\text{ V}$ , 600-mA output current
- LDOs:  $V_{IN} = 1.6\text{ V to }6\text{ V}$ , 300-mA output current
- Separate power inputs and enables

- Power Good
- 3-mm×3-mm, 16-pin QFN
- Step-down converter and LDOs: Adjustable output voltage

### 2.3 Design Considerations

This reference design implements automotive qualified components in a flexible platform for experimenting with various loads and conditions. For configurability, all output voltages are adjustable through the use of external feedback resistors at the expense of overall component count and solution size. Both regulator devices are capable of fixed voltage variants, and the total solution size can further be reduced through the use of non-automotive qualified passives, which are often available in smaller package footprints.

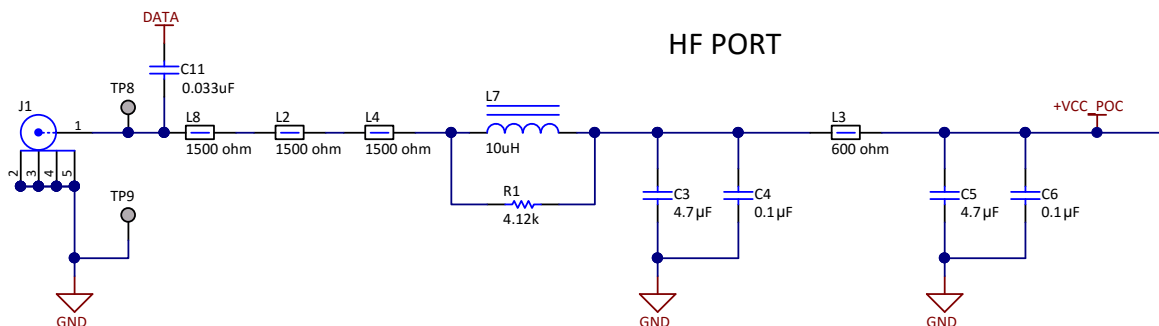
### 2.4 System Design Theory

This reference design targets a solution size less than 20 mm × 20 mm, capable of delivering power from a POC transmission line to a generic remote camera application. Typical cameras sensors operate with separate analog and digital domains, which can require sequencing for reliable behavior, and often have strict input requirements for analog domains to reduce imaging noise. For this reason, many cameras implement LDOs to separate supply rails for simplicity and reduce the power supply ripple at the expense of system efficiency. The power lost in an LDO is dependent on the current through the device multiplied by the difference between input and output voltage; therefore, larger differences decrease efficiency and increase heat generated in the regulator.

In contrast, POC installations benefit from larger bus voltages because less current is required to deliver equivalent power to the loads, reducing DC voltage drop across the intrinsic resistance of the transmission line.

A solution for remote camera power must therefore efficiently distribute a moderately large input voltage into separate and sequenced low voltage domains while maintaining the integrity of the transmitted data. For this purpose, a wide-band filter is leveraged from the TIDA-01130 reference design, a mid- $V_{IN}$  buck generates an intermediate rail, and a flexible PMIC regulates the individual power domains for a typical imaging application.

#### 2.4.1 POC Filter



Copyright © 2018, Texas Instruments Incorporated

图 4. Schematic of Power-Over-Coax (POC) Filter

The input filter leverages the TIDA-01130 reference design, which mostly relies on series inductive elements to isolate frequencies above 10 MHz from the low-frequency DC current. For more details on input filter designs, see [Automotive 2-MP Camera Module Reference Design With MIPI CSI-2 Video Interface, FPD-Link III and POC](#) and [Sending Power Over Coax in DS90UB913A Designs](#).

### 2.4.2 Pre-Regulator

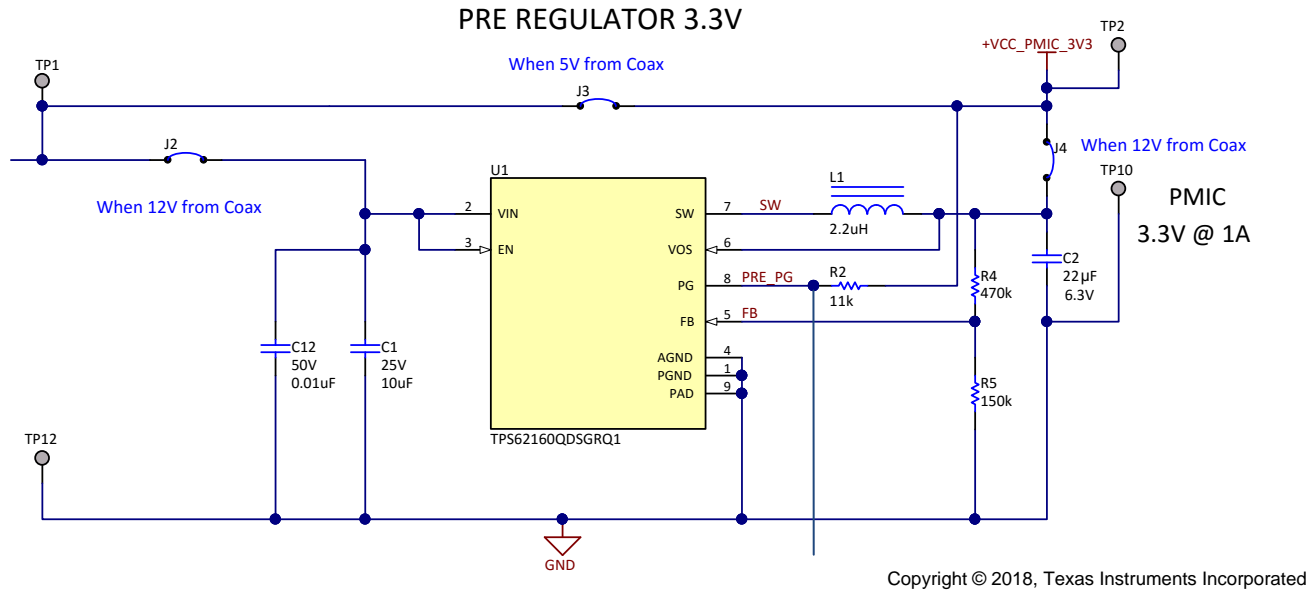


图 5. Schematic of Pre-Regulator

The TPS62160 regulates a target voltage of 3.3 V through the use of an external resistor divider using [公式 1](#).

$$R_1 = R_2 (V_{OUT} / V_{REF} - 1) \tag{1}$$

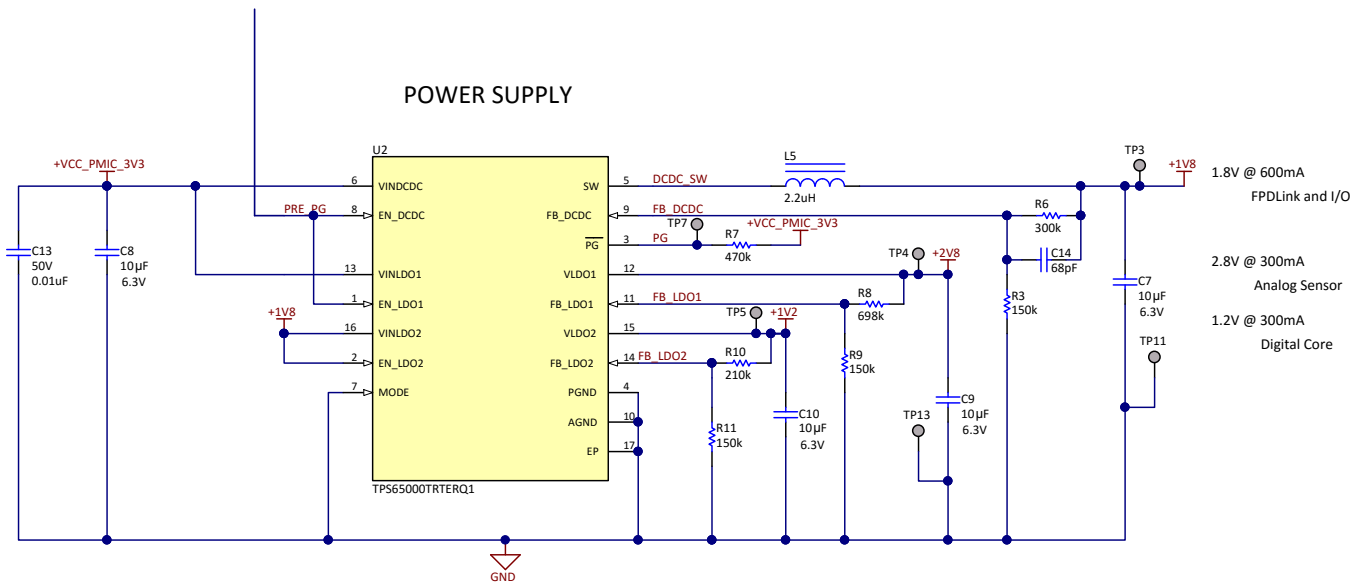
For this device,  $V_{REF}$  is defined as 800 mV and  $R_2$  designates the resistor connecting feedback to ground. This output voltage is a common configuration for the TPS62160, where a 2.2- $\mu$ H inductor and 22- $\mu$ F output filter capacitor are typically recommended. The total load of the PMIC is not expected to exceed 1.5 W, resulting in a maximum load current of 450 mA. Using the following equations from the TPS62160 data sheet, the maximum expected inductor current must be less than 730 mA; however, a larger inductor has been selected allowing additional loads up to 500 mA on the 3.3-V rail.

$$I_{L(max)} = I_{OUT(max)} + \Delta I_L \tag{2}$$

- $I_{L(max)}$  is the maximum inductor current
- $\Delta I_L$  is the peak-to-peak inductor ripple current
- $L_{(min)}$  is the minimum effective inductor value, and
- $f_{sw}$  is the actual PWM switching frequency

A 25-V, 10- $\mu$ F input capacitor adequately supplements transient currents without excessive derating, and a 10-nF capacitor is included to reduce potential high-frequency noise. Once the regulator is within 95% of the targeted output voltage, the active high power-good signal asserts the subsequent supplies in the PMIC. For flexibility, a jumper network allows bypassing the pre-regulator for testing 5-V POC systems directly into the PMIC.

## 2.4.3 PMIC



Copyright © 2018, Texas Instruments Incorporated

图 6. Schematic of Power Management IC (PMIC)

The PMIC accepts 3.3 V from the pre-regulator or 5 V directly from the POC filter network to supply the 2.8-V LDO and the 1.8-V DC/DC. The 1.8-V IO domain can then supply the input voltage to the 1.2-V LDO, assuming that both domains do not require more than 300 mA concurrently.

The resistor divider equation used for the TPS62160 also applies to the regulators within the TPS65000, where both LDOs have a reference voltage of 500 mV, while the DC/DC has a reference voltage of 600 mV. The DC/DC also recommends a feedforward capacitor in the feedback loop for optimum load transient response, recommending a 22-pF to 33-pF capacitor when the parallel equivalent of the feedback resistors approximates to 300 k $\Omega$ . In this reference design, the parallel equivalent resistance of R<sub>1</sub> and R<sub>2</sub> approximates to 100 k $\Omega$ , resulting in a feedforward capacitor of 68 pF to maintain a similar RC constant.

Each LDO requires a 10- $\mu$ F output capacitor for stability, and dedicated input capacitors are omitted due to the close proximity of the supplying regulator output capacitors. The DC/DC uses the typically recommended 10- $\mu$ F input capacitor, 2.2- $\mu$ H inductor, and 10- $\mu$ F output capacitor.

The 2.8-V analog domain and the 1.8-V IO domain are gated by either the power-good signal from the pre-regulator or directly by the 5-V POC bus. The PMIC features soft-start and an enable delay for the DC/DC, allowing the analog rail to regulate first with the same enable source. The DC/DC subsequently enables the 1.2-V LDO, allowing the analog rail to regulate first in the sequence, followed by the IO domain, which is then followed by the 1.2-V digital core.



### 3 Hardware, Testing Requirements, and Test Results

#### 3.1 Required Hardware

This reference design accepts 12 V or 5 V into an onboard FAKRA connector. For the purposes of this design guide, a modified [TIDA-01005](#) camera hub board supplied with a 12-V and 5-V bench supply is connected to the reference design by using a 6-meter 50-Ω coaxial cable to evaluate performance.

#### 3.2 Testing and Results

The following test results demonstrate the start-up behavior, DC/DC voltage ripple, load transient response, typical current consumption, thermal performance, and shutdown behavior of the camera supply reference design. For the purposes of these tests, the analog rail is supplying 70 mA, the IO rail is supplying 225 mA, and the digital rail is supplying 150 mA to dedicated load resistors. Start-up and shutdown events are initiated through enabling or disabling of the camera hub bench supply.

##### 3.2.1 Start-up Behavior

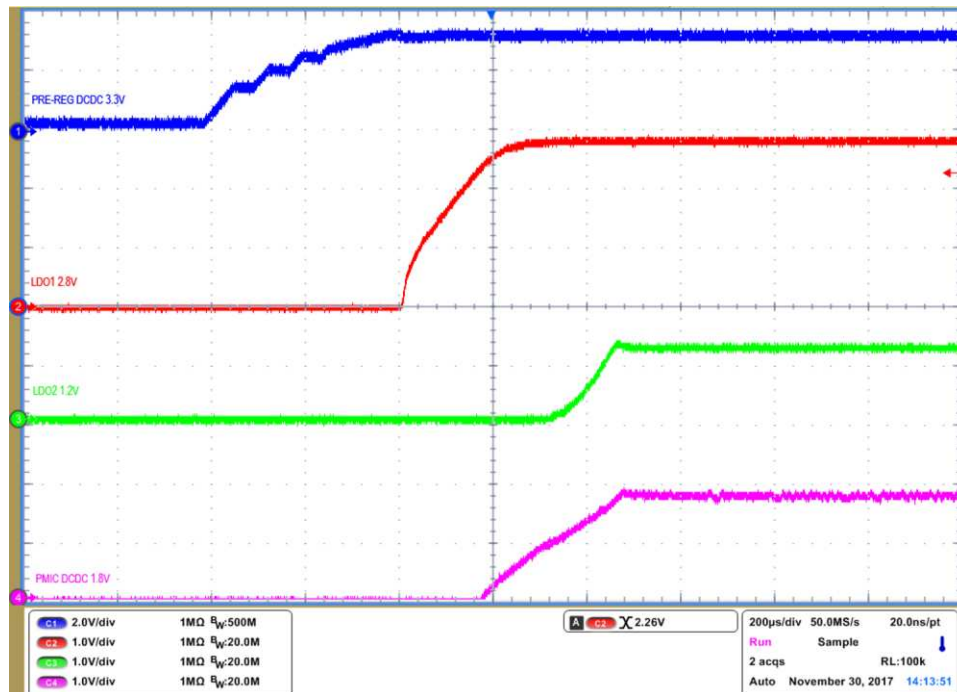


图 7. Power-Up Sequence With Pre-Regulator

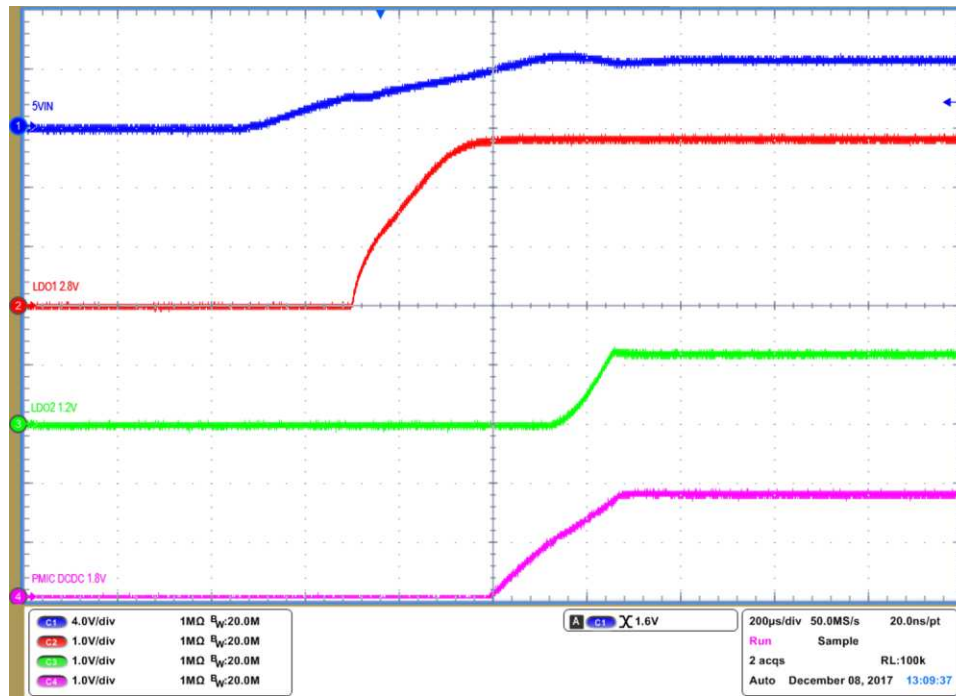


图 8. Power-Up Sequence Without Pre-Regulator

### 3.2.2 DC/DC Voltage Ripple

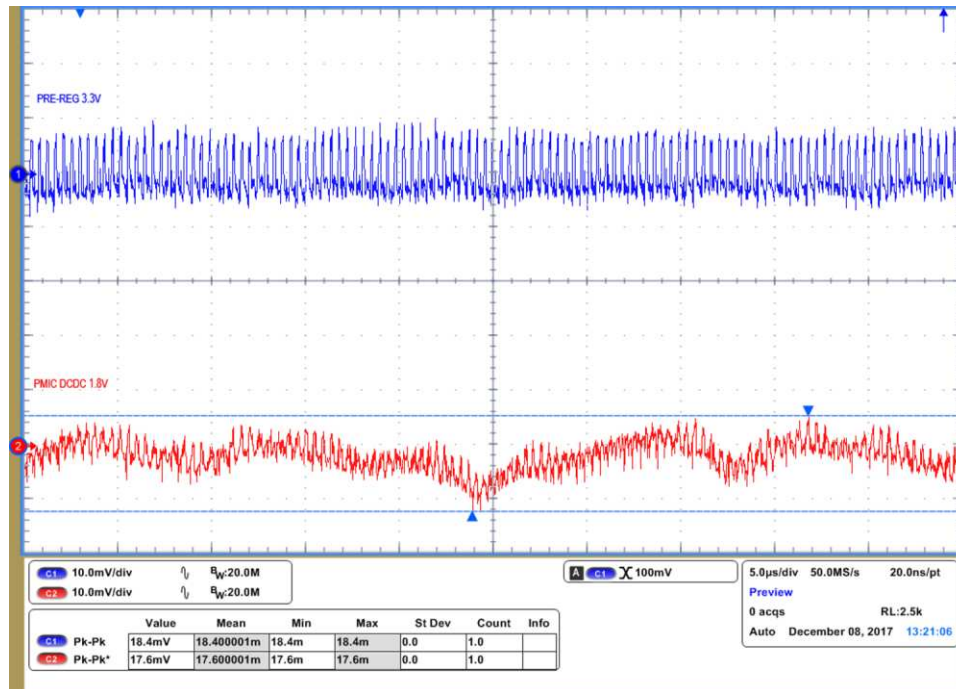


图 9. Pre-Regulator and PMIC DC/DC Voltage Ripple

### 3.2.3 Transient Stability

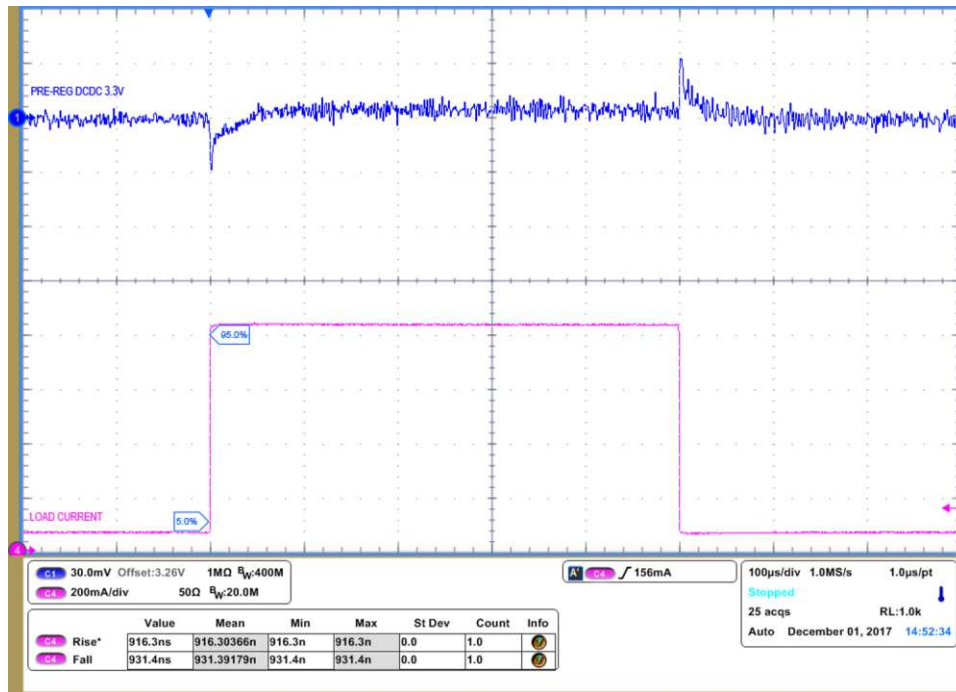


图 10. Pre-Regulator 3.3-V Load Transient

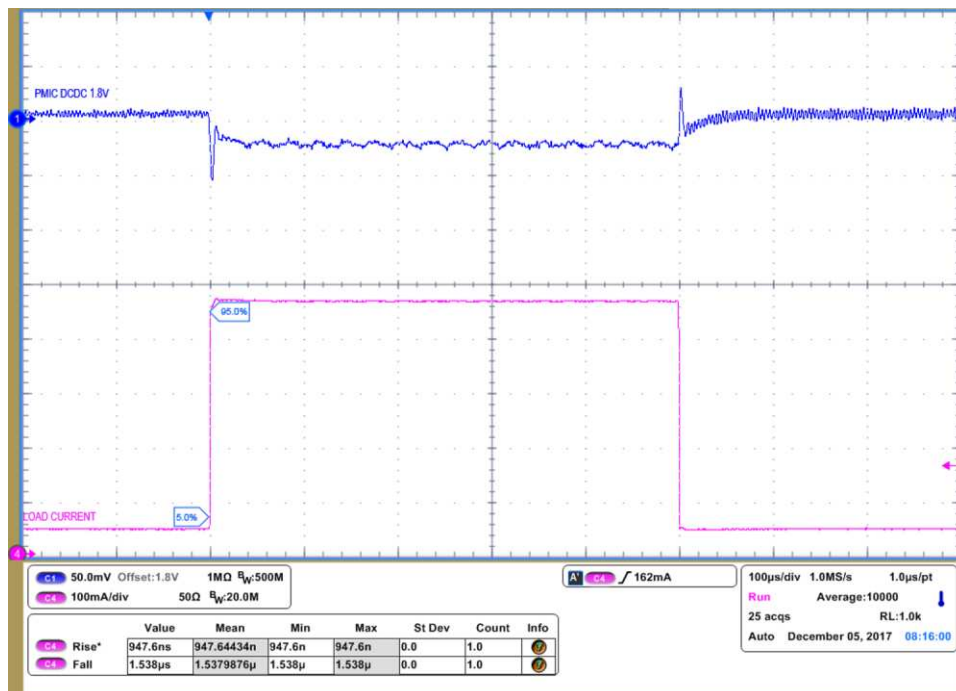


图 11. PMIC DC/DC 1.8-V Load Transient

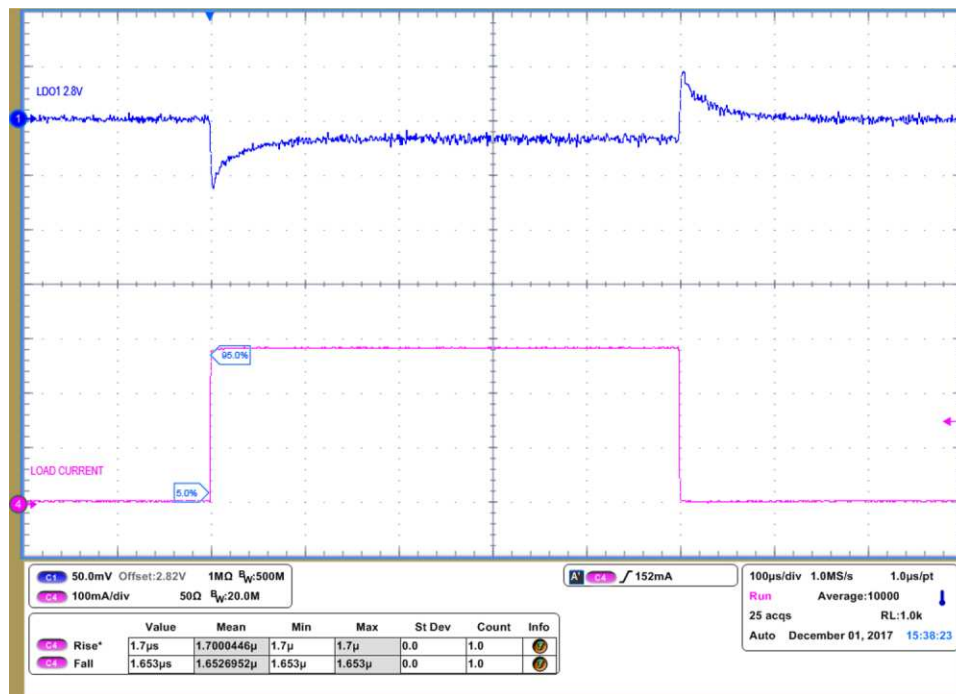


图 12. LDO1 2.8-V Load Transient

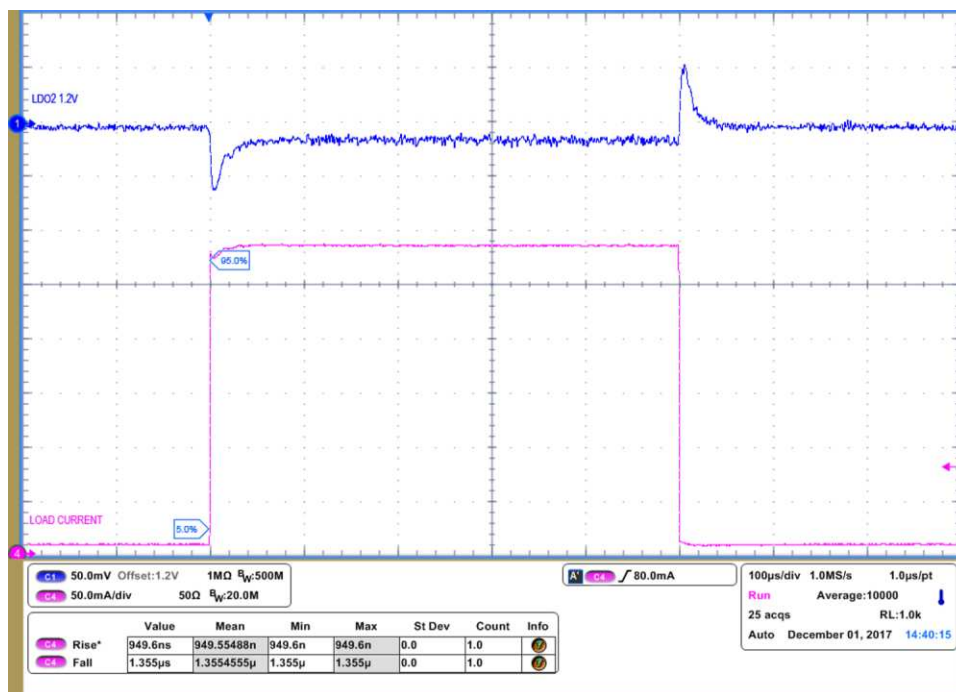


图 13. LDO2 1.2-V Load Transient

### 3.2.4 Typical Current Consumption

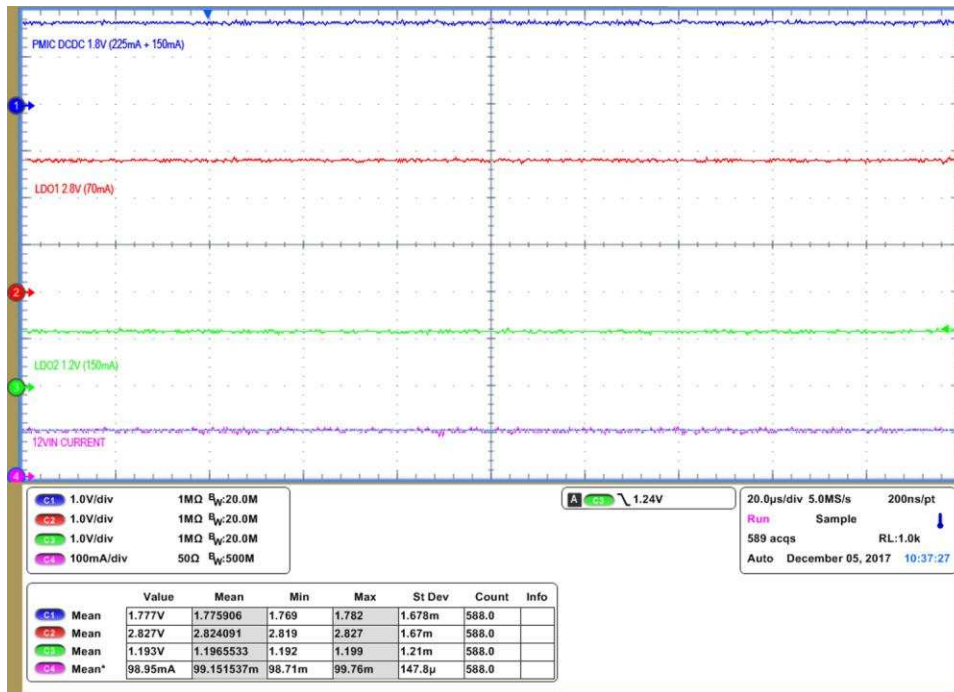


图 14. Typical Current Consumption With Pre-Regulator (12 V)

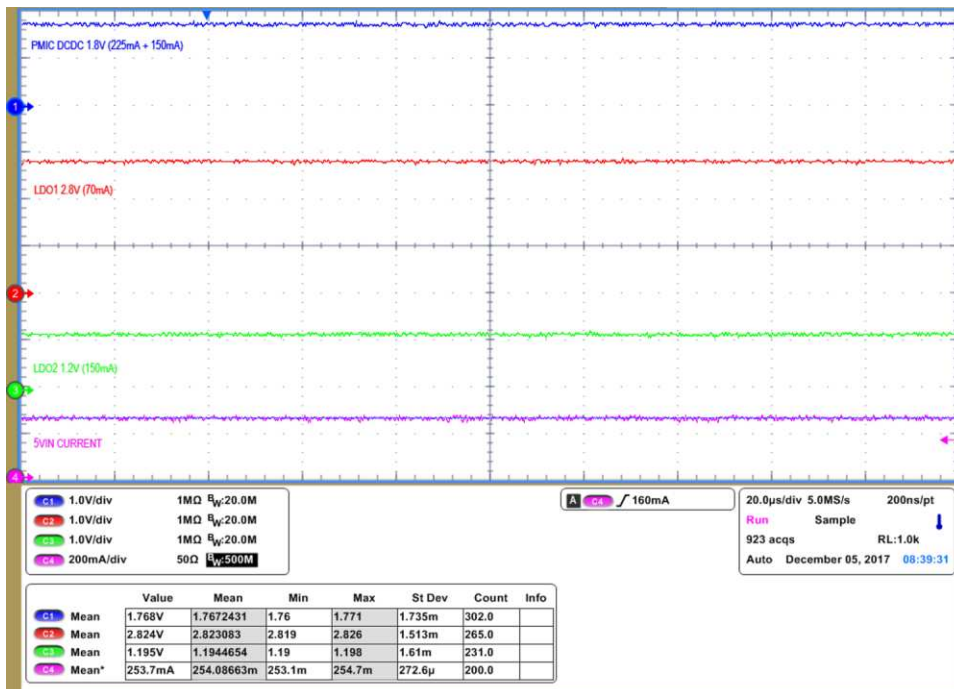


图 15. Typical Current Consumption Without Pre-Regulator (5 V)



### 3.2.5 Thermal Performance

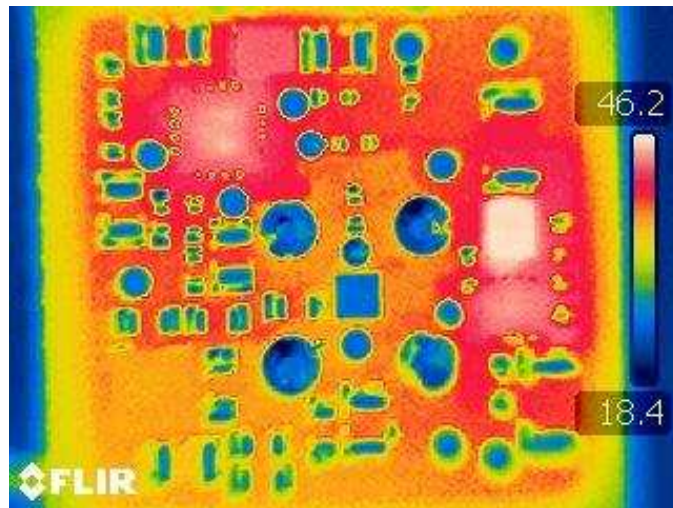


图 16. Thermal Capture With Pre-Regulator (12 V)

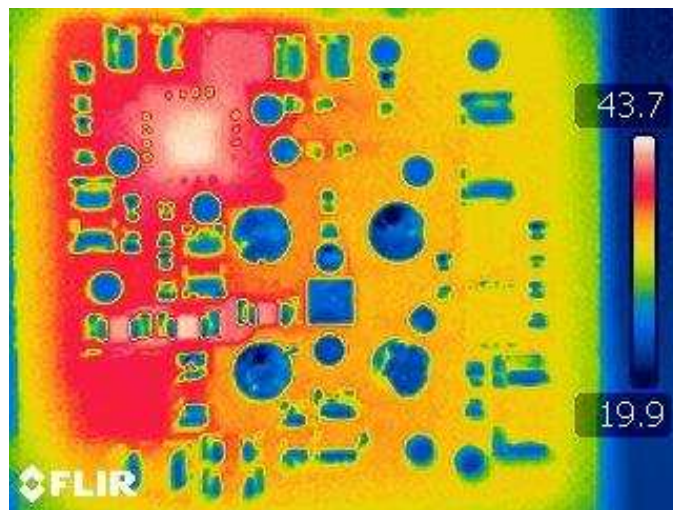


图 17. Thermal Capture Without Pre-Regulator (5 V)

### 3.2.6 Shutdown Behavior

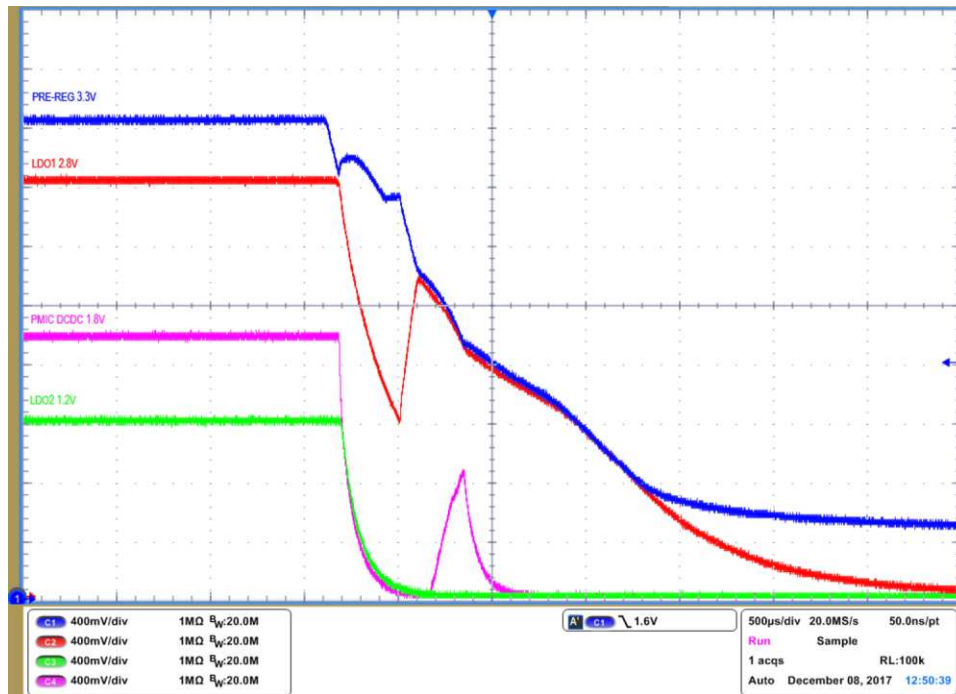


图 18. Shutdown With Pre-Regulator (12 V)

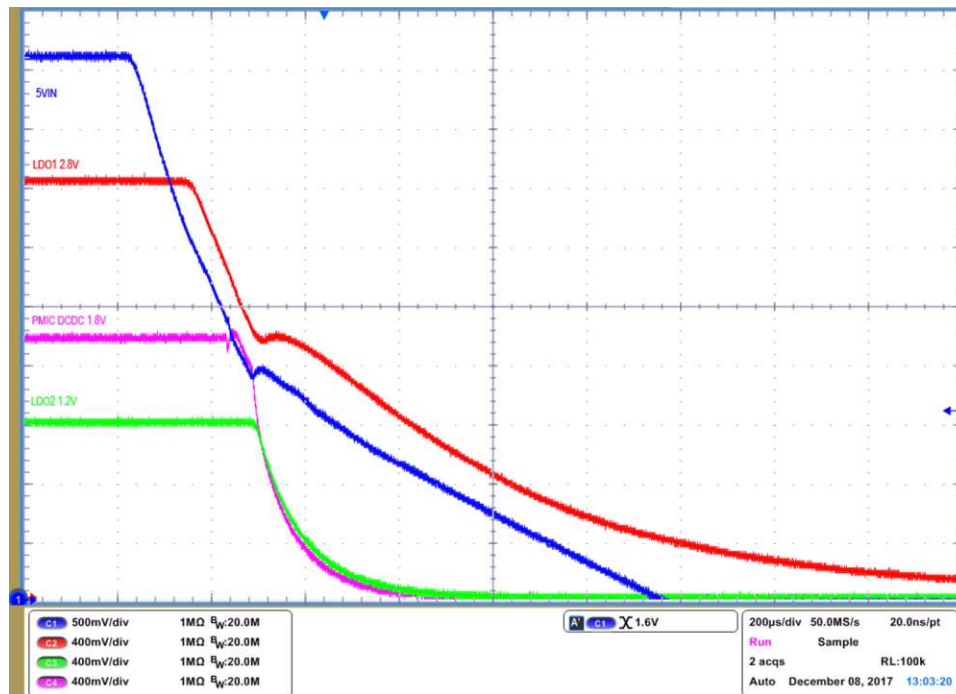


图 19. Shutdown Without Pre-Regulator (5 V)

## 4 Design Files

### 4.1 Schematics

To download the schematics, see the design files at [TIDA-01491](#).

### 4.2 Bill of Materials

To download the bill of materials (BOM), see the design files at [TIDA-01491](#).

### 4.3 PCB Layout Recommendations

Place input capacitors as close as possible to the device. Minimize the area of the switching currents by reducing all trace lengths, and minimizing distance from ground pins of output filter capacitors to the ground pads of their associated input capacitors. Use star connections to bridge ground domains to a common ground plane, and connect thermal pads to this ground plane with multiple vias.

#### 4.3.1 Layout Prints

To download the layer plots, see the design files at [TIDA-01491](#).

### 4.4 Altium Project

To download the Altium project files, see the design files at [TIDA-01491](#).

### 4.5 Gerber Files

To download the Gerber files, see the design files at [TIDA-01491](#).

### 4.6 Assembly Drawings

To download the assembly drawings, see the design files at [TIDA-01491](#).

## 5 Related Documentation

1. Texas Instruments, [TPS6216x-Q1 3-V to 17-V 1-A Step-Down Converter with DCS-Control™ Data Sheet](#)
2. Texas Instruments, [TPS65000-Q1 2.25-MHz Step-Down Converter With Dual LDOs Data Sheet](#)
3. Texas Instruments, [TIDA-01130 Automotive 2-MP Camera Module Reference Design With MIPI CSI-2 Video Interface, FPD-Link III and POC](#)
4. Texas Instruments, [Sending Power Over Coax in DS90UB913A Designs Application Report](#)

### 5.1 商标

E2E, DCS-Control are trademarks of Texas Instruments.  
All other trademarks are the property of their respective owners.



## 有关 TI 设计信息和资源的重要通知

德州仪器 (TI) 公司提供的技术、应用或其他设计建议、服务或信息，包括但不限于与评估模块有关的参考设计和材料（总称“TI 资源”），旨在帮助设计人员开发整合了 TI 产品的应用；如果您（个人，或如果是代表贵公司，则为贵公司）以任何方式下载、访问或使用了任何特定的 TI 资源，即表示贵方同意仅为该等目标，按照本通知的条款进行使用。

TI 所提供的 TI 资源，并未扩大或以其他方式修改 TI 对 TI 产品的公开适用的质保及质保免责声明；也未导致 TI 承担任何额外的义务或责任。TI 有权对其 TI 资源进行纠正、增强、改进和其他修改。

您理解并同意，在设计应用时应自行实施独立的分析、评价和判断，且应全权负责并确保应用的安全性，以及您的应用（包括应用中使用的 TI 产品）应符合所有适用的法律法规及其他相关要求。就您的应用声明，您具备制订和实施下列保障措施所需的一切必要专业知识，能够 (1) 预见故障的危险后果，(2) 监视故障及其后果，以及 (3) 降低可能导致危险的故障几率并采取适当措施。您同意，在使用或分发包含 TI 产品的任何应用前，您将彻底测试该等应用和该等应用所用 TI 产品的功能而设计。除特定 TI 资源的公开文档中明确列出的测试外，TI 未进行任何其他测试。

您只有在为开发包含该等 TI 资源所列 TI 产品的应用时，才被授权使用、复制和修改任何相关单项 TI 资源。但并未依据禁止反言原则或其他法律授予您任何 TI 知识产权的任何其他明示或默示的许可，也未授予您 TI 或第三方的任何技术或知识产权的许可，该等许可包括但不限于任何专利权、版权、屏蔽作品权或与使用 TI 产品或服务的任何整合、机器制作、流程相关的其他知识产权。涉及或参考了第三方产品或服务的信息不构成使用此类产品或服务的许可或与其相关的保证或认可。使用 TI 资源可能需要您向第三方获得对该等第三方专利或其他知识产权的许可。

TI 资源系“按原样”提供。TI 兹免除对 TI 资源及其使用作出所有其他明确或默示的保证或陈述，包括但不限于对准确性或完整性、产权保证、无复发故障保证，以及适销性、适合特定用途和不侵犯任何第三方知识产权的任何默认保证。

TI 不负责任何申索，包括但不限于因组合产品所致或与之有关的申索，也不为您辩护或赔偿，即使该等产品组合已列于 TI 资源或其他地方。对因 TI 资源或其使用引起或与之有关的任何实际的、直接的、特殊的、附带的、间接的、惩罚性的、偶发的、从属或惩戒性损害赔偿，不管 TI 是否获悉可能会产生上述损害赔偿，TI 概不负责。

您同意向 TI 及其代表全额赔偿因您不遵守本通知条款和条件而引起的任何损害、费用、损失和/或责任。

本通知适用于 TI 资源。另有其他条款适用于某些类型的材料、TI 产品和服务的使用和采购。这些条款包括但不限于适用于 TI 的半导体产品 (<http://www.ti.com/sc/docs/stdterms.htm>)、[评估模块](http://www.ti.com/sc/docs/sampters.htm)和样品 (<http://www.ti.com/sc/docs/sampters.htm>) 的标准条款。

邮寄地址：上海市浦东新区世纪大道 1568 号中建大厦 32 楼，邮政编码：200122  
Copyright © 2018 德州仪器半导体技术（上海）有限公司