

TI Designs: TIDA-01500

HVAC HMI用車載マルチチャネルLEDドライバのリファレンス・デザイン



概要

このリファレンス・デザインは、HVAC (暖房、換気、空調)のヒューマン・マシン・インターフェイス(HMI)用に複数の発光ダイオード(LED)を駆動する、コスト効率の高いソリューションを提供するものです。このデザインでは、I²CインターフェイスによりLED、パルス幅変調(PWM)、点滅、輝度といった機能を制御します。LEDドライバの個々のPWMコントローラにより、各LEDの輝度を設定することができます。またTIの周囲光センサを採用しているため、可視光強度を測定して、同じくI²Cバスでデジタル値を提供できます。TI LaunchPad™開発キットを使用して制御機能を実装することにより、周囲光強度に応じてLEDの調光PWMが調整されます。

リソース

TIDA-01500	デザイン・フォルダ
TPS709-Q1	プロダクト・フォルダ
TLC59116-Q1	プロダクト・フォルダ
OPT3001-Q1	プロダクト・フォルダ

特長

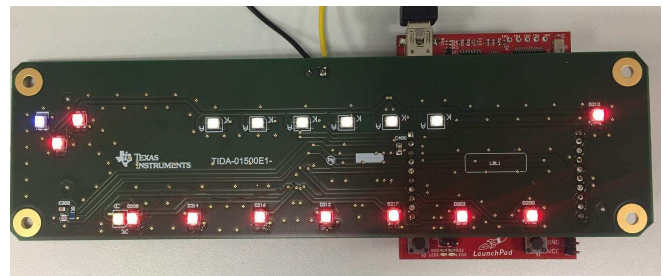
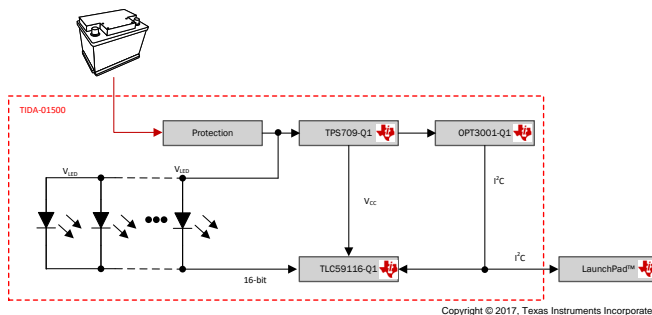
- バッテリ逆接続保護耐性
- LEDドライバで16個のPWMコントローラにより最大18個のLEDを駆動するワンチップ・ソリューション
- LEDごとに電流制限抵抗を設ける必要がないため、抵抗のマッチングに煩わされない
- 単純な回路とコンパクトなレイアウト、LEDの駆動に外付けBJTも電界効果トランジスタ(FET)も不要
- 周囲光強度に基づく自動LED調光

アプリケーション

- 車載HVAC HMI



E2Eエキスパートに質問





使用許可、知的財産、その他免責事項は、最終ページにあるIMPORTANT NOTICE (重要な注意事項)をご参照くださいますようお願いいたします。

1 System Description

The displays and buttons in HVAC HMIs are illuminated with a number of LEDs. The drive circuit for these LEDs is typically realized in a discreet way so that the microcontroller (MCU) drives external low-side bipolar junction transistors (BJTs), which sink the LED currents. The LED current is always limited by a series resistor. The designer must adjust the values of the current-limiting resistors to eliminate the difference in the LED light intensity caused by any small deviation between each component. The designer can use a pulse-width modulation (PWM) signal to drive these BJTs and obtain the dimming effect or they can use these BJTs like a switch (on and off). The goal of this reference design is to develop a cost-effective LED driver solution for 18-LEDs that can be driven without using current-limiting resistors. The designer can individually adjust the current, as well as the PWM-dimming signal, in each diode excluding those that are connected in series to one pin. This design includes protection features against load dump conditions and reverse battery conditions while simultaneously maintaining a small solution size and low quiescent current.

The TIDA-01500 has been designed with a focus on the following points:

- Capability to simultaneously drive 18 LEDs without current-limiting resistors
- Capability to survive reverse battery condition
- Low leakage current
- Output current adjustment for all 16 outputs through one external resistor
- LED-dimming based on ambient light intensity

1.1 Key System Specifications

表 1. Key System Specifications

PARAMETER	SPECIFICATIONS	MIN	TYP	MAX	UNIT
V_{IN}	Operating input voltage	5.5	12	17 ⁽¹⁾	V
V_{REV}	Reverse voltage	—	—	-60	V
I_{IN_MAX}	Maximum input current (all outputs at full preset current level)	—	0.45	—	A
I_{OUT_MAX}	Maximum output current per channel (LED)	—	0.028 ⁽²⁾	—	A
OPTICAL					
Peak irradiance spectral responsivity	x minute of no motion detected	—	550	—	nm
Resolution (LSB)	Lowest full-scale range	—	0.01	—	lux
TEMPERATURE					
Operating temperature range	Temperature range (limited by CR2032 coin cell operating range)	-40	—	+85	°C

⁽¹⁾ The operating input voltage can be extended if the LEDs are supplied externally (V_{LED}). The supply voltage for this design must be limited up to 17 V in this design because the TLC59116-Q1 device handles voltages on output pins up to 17 V and because the V_{LED} is delivered right after the reverse polarity protection diode.

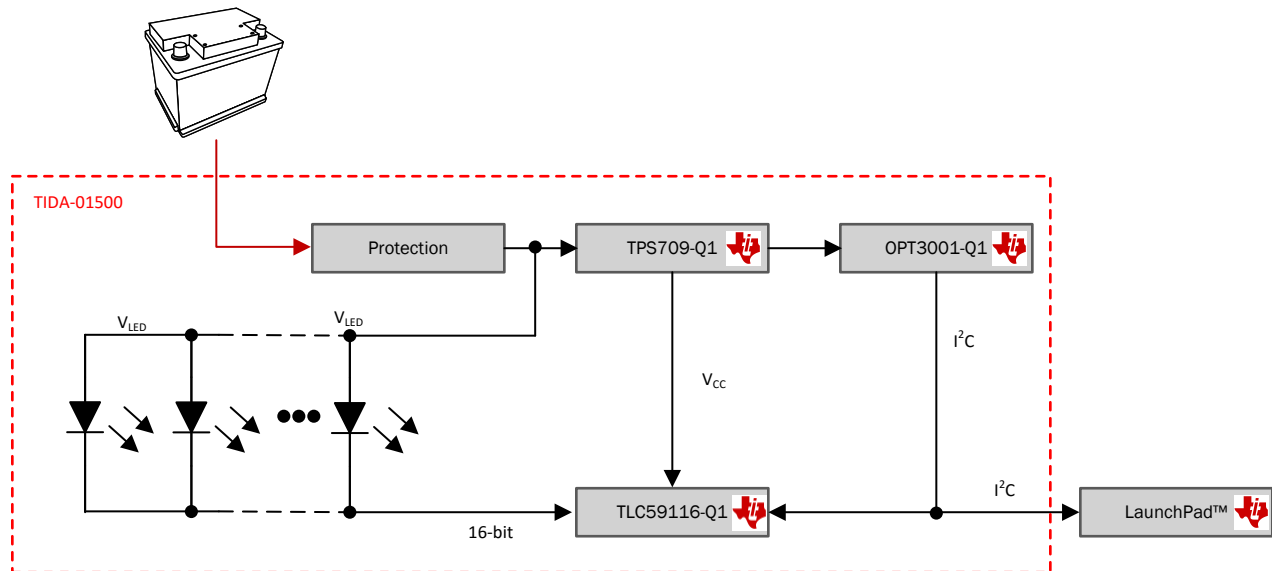
⁽²⁾ In this reference design, the current level is set through an external resistor. The current limit for the TLC59116-Q1 device can be extended up to 120 mA per output channel.

2 System Overview

2.1 Block Diagram

Figure 1 shows the block diagram of this TIDA-01500 design, which comprises four main modules:

- Protection Circuit
- Voltage Regulator (LDO)
- Ambient Light Sensor (OPT3001-Q1)
- Constant-Current LED Sink Driver (TLC59116-Q1)



Copyright © 2017, Texas Instruments Incorporated

Figure 1. TIDA-01500 Block Diagram

2.2 Highlighted Products

2.2.1 TPS709-Q1

The TPS709-Q1 is an ultra-low-quiescent-current, low-dropout (LDO) linear regulator that offers reverse current protection to block any discharge current from the output into the input. However, in this reference design, the TPS709-Q1 is still used an external Schottky-diode to prevent the reverse current condition for the whole circuit. The device also features current limit and thermal shutdown for reliable operation. [Figure 2](#) shows the block diagram.

The main features of this device are as follows:

- Undervoltage lockout (UVLO)
- Enable and disable pin
- Reverse current protection
- Internal current limit
- Thermal protection

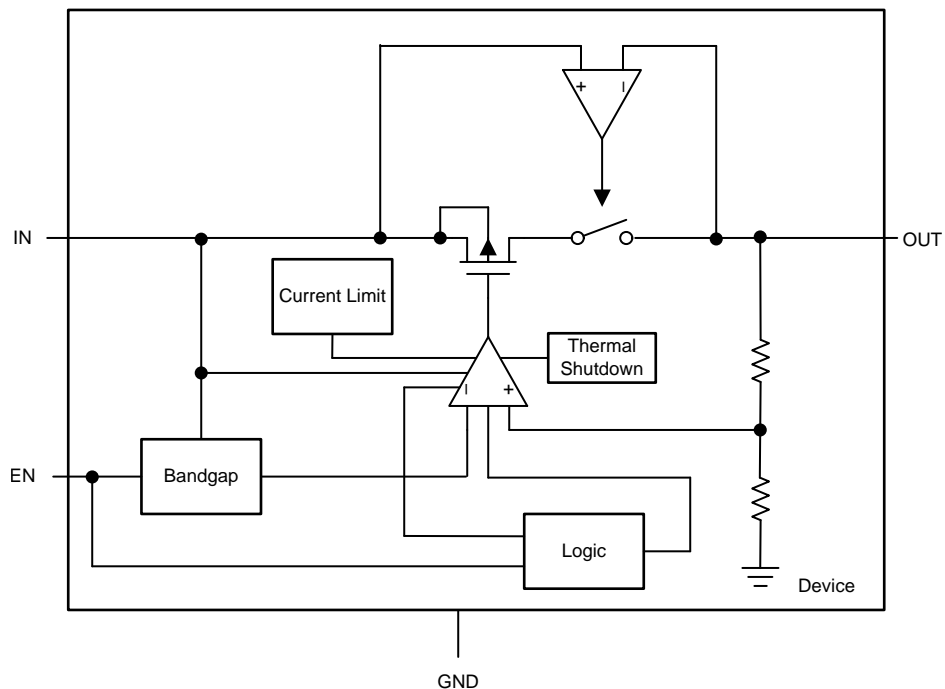



図 2. TPS709-Q1 Block Diagram

2.2.2 TLC59116-Q1

The TLC59116-Q1 is an I²C-bus-controlled, 16-channel LED driver. Each LED output has its own 8-bit resolution (256 steps) fixed-frequency individual PWM controller that operates at 97 kHz, with a duty cycle that is adjustable from 0% to 99.6%. The individual PWM controller allows the designer to set each LED to a specific brightness value. An additional 8-bit resolution (256 steps) group PWM controller has both a fixed frequency of 190 Hz and an adjustable frequency between 24 Hz to once every 10.73 s, with a duty cycle that is adjustable from 0% to 99.6%. The group PWM controller dims or blinks all LEDs with the same value.  3 shows the block diagram of the device with 16 constant current sink outputs.

The main features of this device are as follows:

- Open-circuit detection
- Overtemperature detection and shutdown
- Power-on reset (POR)
- Individual brightness control with group dimming and blinking

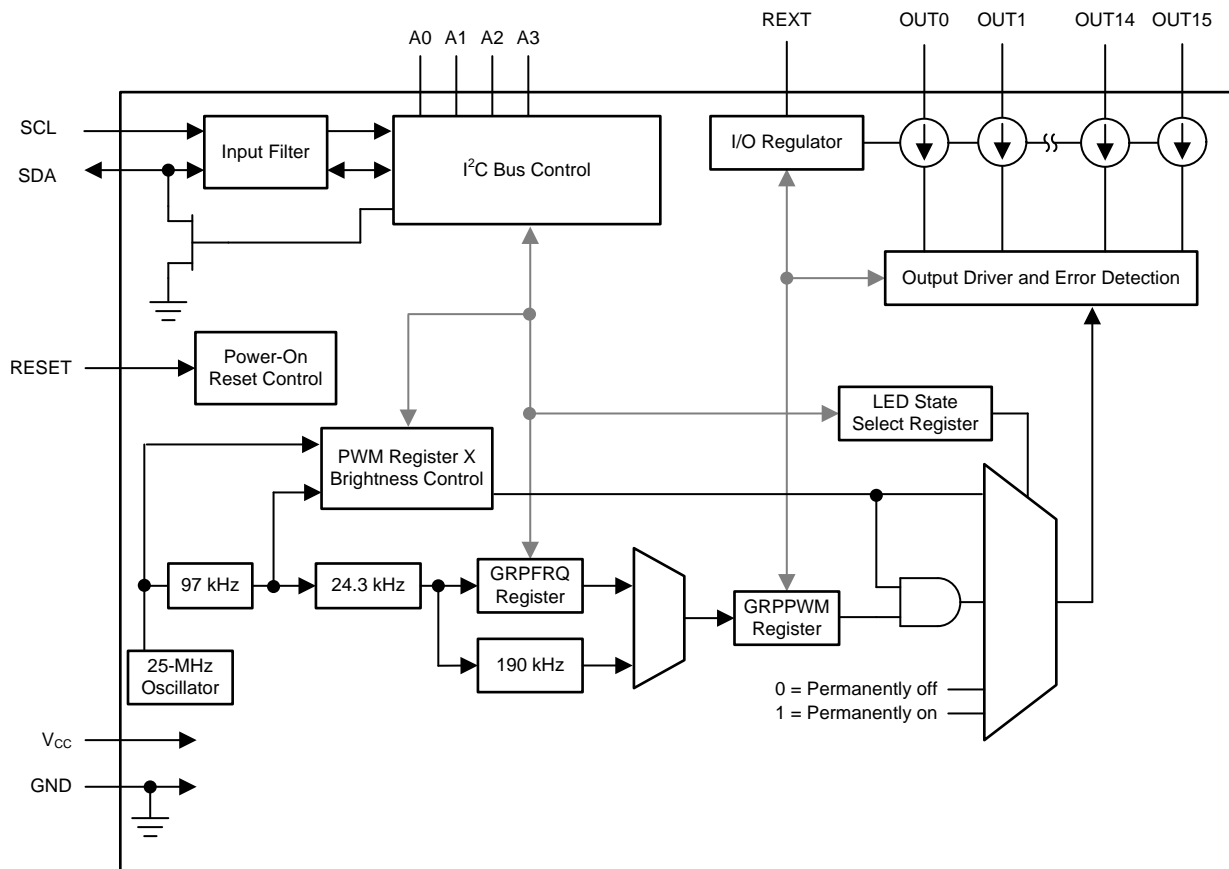


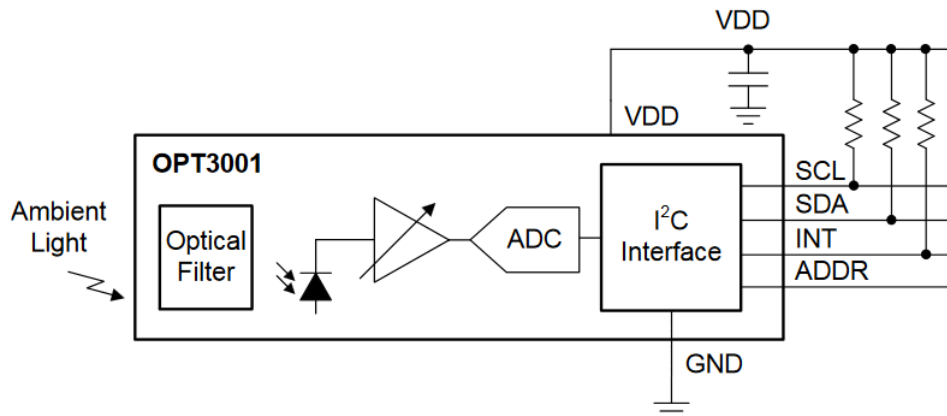
図 3. TLC59116-Q1 Block Diagram—OUT0 to OUT15 as Constant Current Sink Outputs

2.2.3 OPT3001-Q1

The OPT3001-Q1 is a single-chip lux meter which measures the intensity of light as visible by the human eye. The spectral response of the sensor tightly matches the photo picture response of the human eye and includes significant infrared (IR) rejection. The precision spectral response and strong IR rejection of the device enables the OPT3001-Q1 device to accurately meter the intensity of light as seen by the human eye, regardless of the light source. The OPT3001-Q1 is an ideal, preferred replacement for photodiodes, photoresistors, or other ambient light sensors with less human eye matching and IR rejection. Users can make measurements from 0.01 lux up to 83 klux without manually selecting full-scale ranges by using the built-in, full-scale setting feature. Measurements can be either continuous or single-shot. The digital output is reported over an I²C- and SMBus-compatible, two-wire serial interface. The low-power consumption and low-power supply voltage capability of the OPT3001-Q1 device enhance the battery life of battery-powered systems. [図 4](#) shows the block diagram of the sensor with digital interface and INT output pin, which can use the result to alert the system and interrupt the processor.

The main features of this device are as follows:

- Precision optical filtering to match the human eye:
 - Rejects > 99% (typical) of IR
- Measurements: 0.01 lux to 83 klux
- 23-bit effective dynamic range with automatic gain ranging
- Low operating current: 1.8 μ A (typical)
- Wide power-supply range: 1.6 V to 3.6 V
- Flexible interrupt system
- Small-form factor: 2 mm \times 2 mm \times 0.65 mm



Copyright © 2017, Texas Instruments Incorporated

図 4. OPT3001 Block Diagram

2.3 System Design Theory

The displays and buttons in HVAC HMIs are illuminated with a number of LEDs. The drive circuit for these LEDs is typically realized in a discreet way using a current-limiting resistor and low-side BJT for each LED (or a couple of them in series) where MCU controls the basis pin of the transistor. Therefore in such topologies controlling of 18 LEDs independently would require same amount of independently driven low side BJTs and PWM-output pins of the MCU.

The primary goal of this reference design, with regards to the printed-circuit board (PCB), is to make a compact solution and still offer the possibility to drive a total of 18 LEDs simultaneously (of which 16 can be driven independently) to provide the LED dimming depending on whether the ambient light intensity is sufficient and whether the circuit avoids any current-limiting resistors for the LEDs. These features are possible through the use of one TLC59116-Q1 and one OPT3001-Q1, which are controlled through the I²C bus by a TI LaunchPad™ Development Kit (MSP-EXP430G2553), as shown in [Figure 5](#).

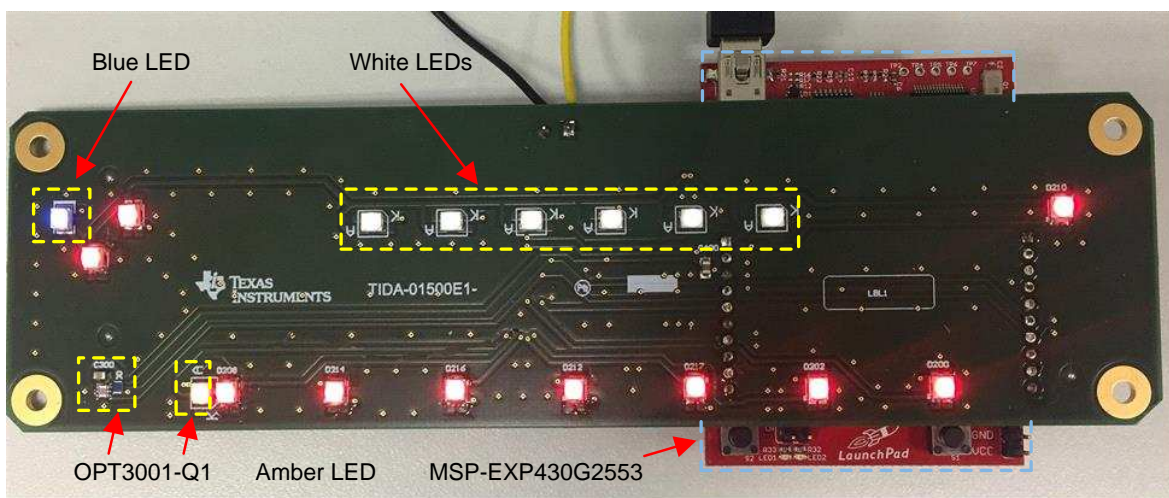


Figure 5. LaunchPad™ Development Kit With TIDA-01500—Top Side

[Figure 5](#) and [Figure 6](#) show the TIDA-01500 board from the top side and bottom side. The top side of the PCB is populated only with LEDs and the ambient light sensor. The TLC59116-Q1, voltage regulator, and the protection circuit are on the bottom side of the PCB. The reason for such a population is the HMI housing (see [Figure 7](#)) where the TIDA-01500 is fixed. The yellow dashed box in [Figure 7](#) shows the opening through which the light enters and falls on the sensing surface of the OPT3001-Q1 device.

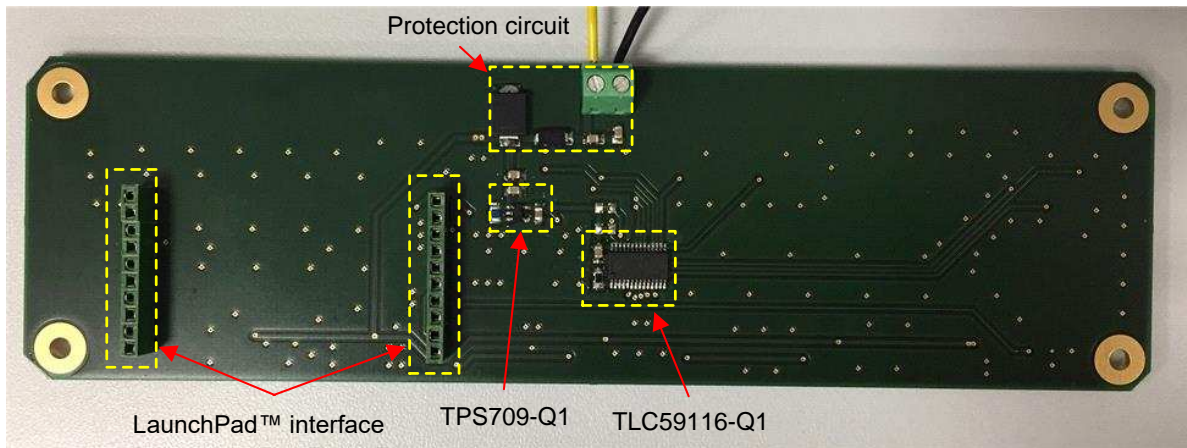


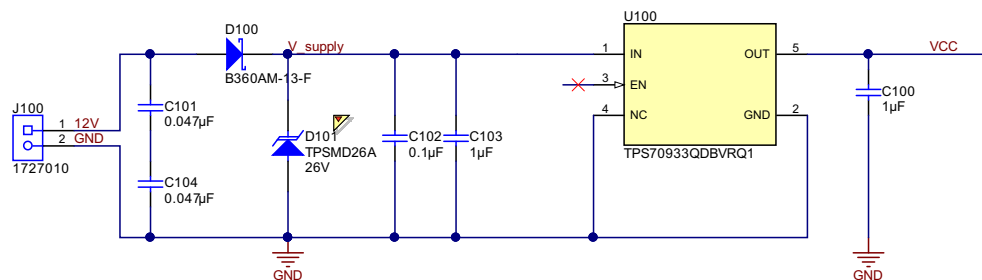
図 6. TIDA-01500—Bottom Side



図 7. HVAC HMI Housing

2.3.1 Protection Circuit and Power Supply

The protection circuit of the TIDA-01500 design that 図 8 shows consists of an electrostatic-discharge (ESD) protective part, reverse battery protection diode, transient voltage suppressor (TVS) diode, and two ceramic capacitors for better noise filtering (input capacitors for the voltage regulator).



Copyright © 2016, Texas Instruments Incorporated

図 8. Protection Circuit and Linear Voltage Regulator

This design incorporates two in-series capacitors with high-voltage rating values (100 V) for ESD protection. These capacitors are populated on the PCB in an L-shape (90° rotated from each other), which is a common technique in automotive applications. This way of arranging the ESD capacitors can prevent short circuit. When PCB bending occurs due to vibrations, the ceramic capacitor is subject to mechanical damage and the inner layers of the capacitor are at the risk of being shorted.

A TVS diode protects the circuit against load dump transient, which occurs in the event of disconnecting a discharged battery while the alternator is generating charging current to the other loads that remain on the alternator circuit. Another important requirement for a TVS diode is the 24-V jump-start (for 12-V systems). In this design, the TVS has been chosen in such a way that the standoff voltage value of the diode is above the voltage level, which can occur at the start of a jump-start event. In other words, below this voltage level, which is called the reverse standoff voltage, the TVS diode is transparent for the rest of the circuit. One important thing to note is that, due to the compact and small PCB in this reference design, the supply voltages for the LEDs are taken directly after the protection circuit and are not delivered separately using some other voltage source. Because the level of the max voltage that can occur on the TLC59116-Q1 output pins is 17 V, TI highly recommends to supply this reference design with a max of 17 V. The designer can use supply voltages for this design that reach up to 30 V by specifying a different voltage source to supply the LEDs .

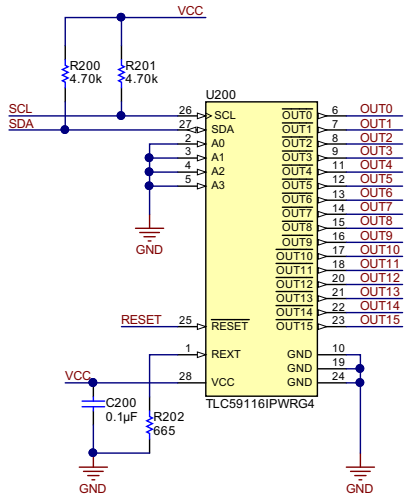
As [Figure 8](#) shows, the protection circuit is followed by a voltage regulator TPS70933-Q1, which is permanently enabled (EN pin floating). The TPS70933-Q1 is a linear voltage regulator with a fixed output voltage equal to 3.3 V. The device has very-low quiescent current and is able to deliver 200 mA of peak current. This device also has overcurrent protection and thermal shutdown. The voltage regulator supplies the LED driver, ambient light sensor, and is also externally connected to a LaunchPad Development Kit.

2.3.2 LED Driver TLC59116-Q1

This reference design uses a 16-channel constant-current sink driver (TLC59116-Q1) that has an I²C digital interface. Each (LED) output has its own 8-bit resolution, fixed-frequency PWM controller and the duty cycle is adjustable from 0% to 99.6% (256 steps in total). This feature allows the designer to adjust the light intensity of each LED independently, which allows for equal illumination over the entire illuminated surface regardless of deviations between LEDs. [Figure 9](#) shows the circuit diagram of TLC59116-Q1. This circuit diagram also shows the pullup resistors (4.7 KΩ) required for the I²C communication. The pins from A0 to A3 are hardware address pins which function to set the address of the device on the I²C bus. In this reference design, all the Ax pins have been tightened to the ground, which determines 1100000 as an I²C address of the device. The TLC59116 driver only requires one resistor connected to the REXT-pin to set all the output currents. The goal in this design is to set the currents to 28 mA for all the LEDs. Using [Equation 1](#), calculate the appropriate R_{EXT} to be 665-Ω.

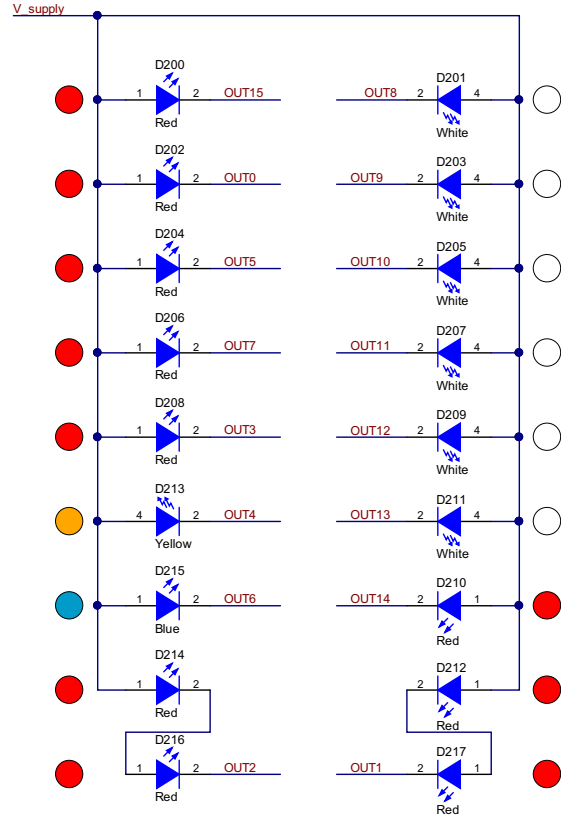
$$I_{\text{OUT}} = \left(\frac{1.25 \text{ V}}{R_{\text{EXT}}} \right) \times 15 \quad (1)$$

[Figure 10](#) shows the 18 LEDs (the colored circles represent the color of each LED). The D241 and D216, as well as D212 and D217, are connected in series—each pair to one output pin on the TLC59116-Q1 driver.



Copyright © 2016, Texas Instruments Incorporated

図 9. TLC59116-Q1 16-Channel LED Driver With I²C Interface



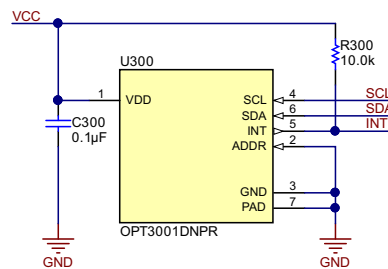
Copyright © 2016, Texas Instruments Incorporated

図 10. 18 LEDs ⁽¹⁾

⁽¹⁾ The colored circles represent the color of each individual LED.

2.3.3 Ambient Light Sensor OPT3001-Q1

This reference design uses an ambient light sensor (OPT3001-Q1) that continuously measures the ambient light intensity and delivers the data through the I²C bus to the MCU (LaunchPad), after which the MCU sets the duty cycle of each LED to adapt the light intensity of the LEDs to the environmental light intensity. 図 11 shows the circuit diagram of the OPT3001 sensor. The pullup resistances for the I²C are located at the LED driver (see 図 9). The INT pin of the device represents an open-drain output and is required for the placement of a pullup resistor. The measurement result of the sensor can be used to alert a system and interrupt the MCU with the INT pin. The power supply is bypassed with a 100-nF ceramic capacitance placed close to the VDD-pin of the OPT3001. The ADDR pin allows the designer to set the I²C address of the device, which is 1000 100 in this case.



Copyright © 2016, Texas Instruments Incorporated

図 11. OPT3001-Q1 Ambient Light Sensor

3 Getting Started Hardware

Figure 12 shows the TIDA-01500 board mounted on the MSP-EXP430G2553 LaunchPad. The following LEDs are mounted on the TIDA-01500 board: six white LEDs, ten red LEDs, one amber LED, and one blue LED. The TIDA-01500 board is supplied with 12 V. The software in the MSP430G2553 device controls the ambient light sensor and LED driver autonomously through the I²C bus. Cover the opening on the left corner of the HMI housing to see the dimming effect on the HMI surface (see Figure 13).

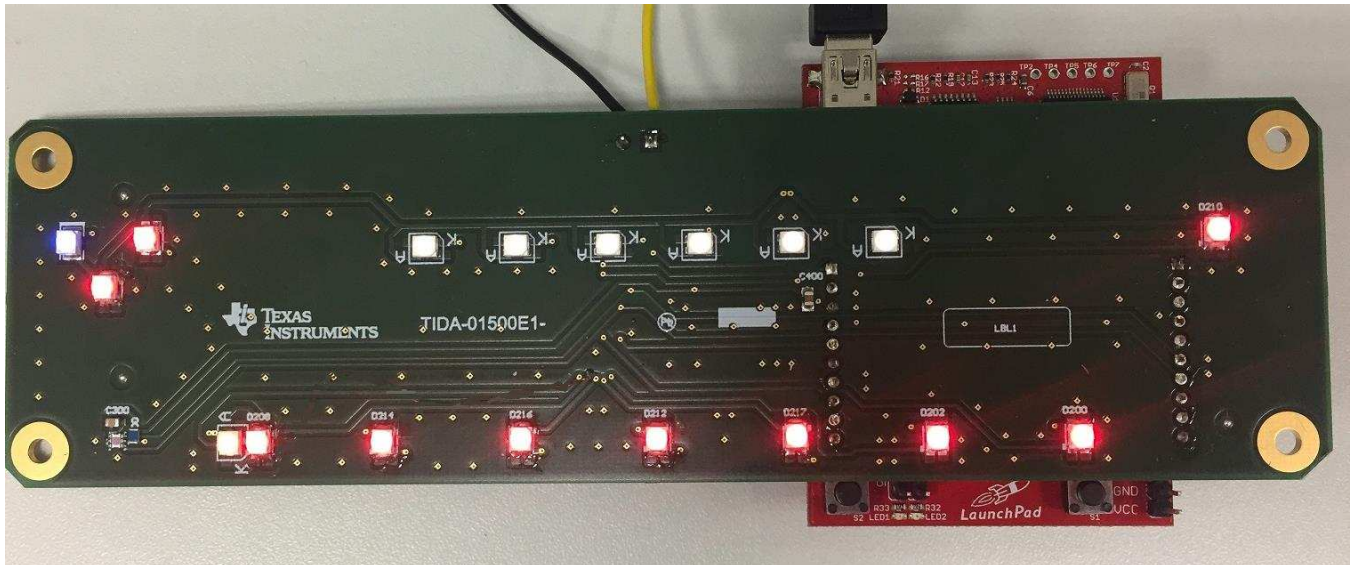


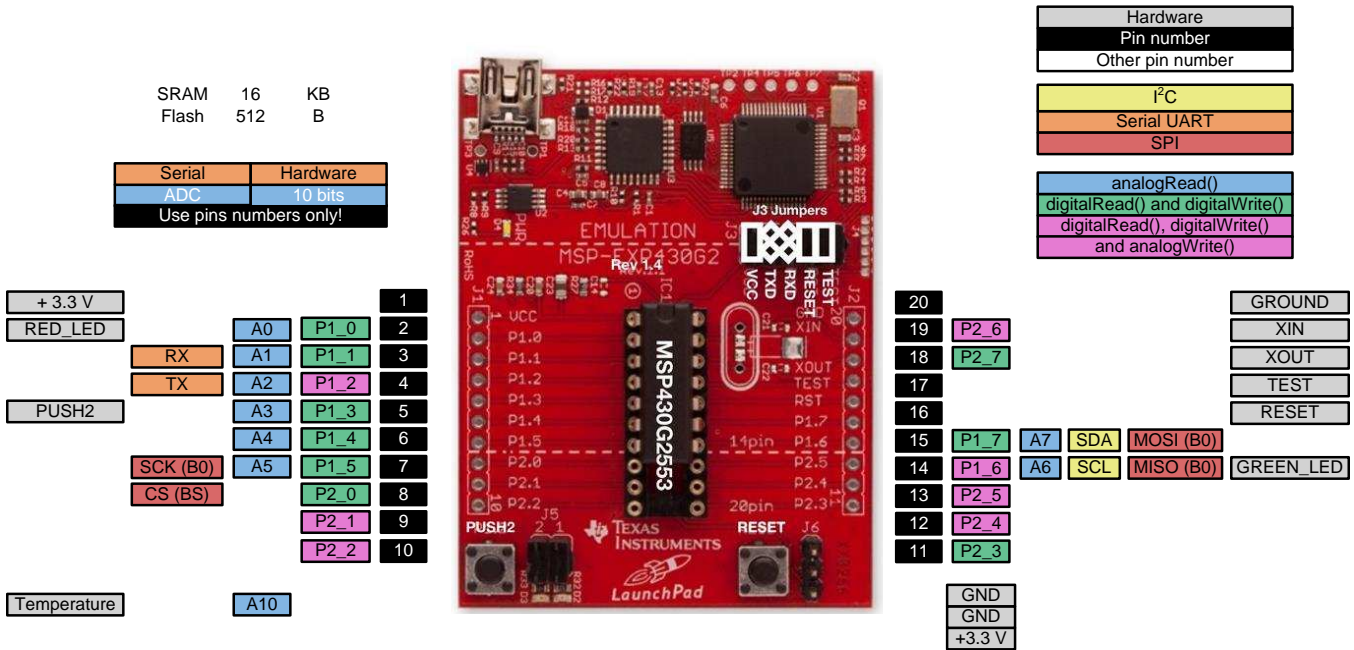
Figure 12. TIDA-01500 With MSP-EXP430G2553



Figure 13. TIDA-01500 into HMI Housing

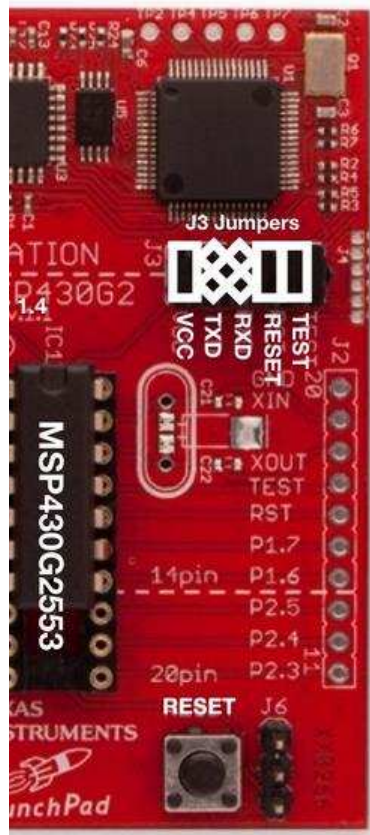
3.1 LaunchPad™

LaunchPads are MCU development kits from TI. These kits are available in a variety of types to address various applications. The MSP-EXP430G2553 is an inexpensive and simple development kit for the MSP430G2553. This LaunchPad offers an easy way to begin developing on the TI MSP430™ MCU, with onboard emulation for programming and debugging as well as buttons and LEDs for the user interface (see [14]).



14. MSP-EXP430G2553

[15] shows the pinout of the G2553 LaunchPad, which allows easy access to all the peripherals on the G2553 device.



Hardware
Pin number
Other pin number
I ² C
Serial UART
SPI
analogRead()
digitalRead() and digitalWrite()
digitalRead(), digitalWrite() and analogWrite()

20		GROUND			
19	P2_6	XIN			
18	P2_7	XOUT			
17		TEST			
16		RESET			
15	P1_7	A7	SDA	MOSI (B0)	
14	P1_6	A6	SCL	MISO (B0)	GREEN_LED
13	P2_5				
12	P2_4				
11	P2_3				
	GND				
	GND				
	+3.3 V				

SRAM 16 KB
Flash 512 B

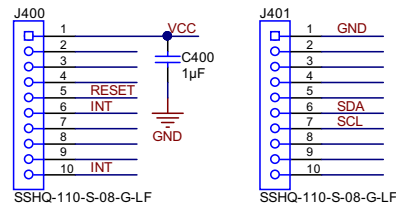
Serial	Hardware
ADC	10 bits
Use pins numbers only!	

+3.3 V					1
RED_LED		A0	P1_0		2
	RX	A1	P1_1		3
	TX	A2	P1_2		4
PUSH2		A3	P1_3		5
		A4	P1_4		6
	SCK (B0)	A5	P1_5		7
	CS (BS)		P2_0		8
			P2_1		9
			P2_2		10
Temperature		A10			



図 15. MSP-EXP430G2553 Pinout

The schematic in [Figure 16](#) shows the connections on the J400 and J401 pins, both of which are ten-pin connectors. The pin assignments are in accordance with the BoosterPack™ Plug-in Module standard, which allows connection to various LaunchPad boards. All the logic signals from an MCU are referenced to the 3.3 V that the LaunchPad delivers. The active-low RESET pin goes to the TLC59116-Q1 device. The INT pin is from the OPT3001-Q1 driver and may be used as the external interrupt for the MCU. The SDA and SCL pins on J401 represent the I²C bus. This design uses only one I²C bus, where the MSP430 MCU functions as the master and the TLC59116 and OPT3001 devices function as the slaves.

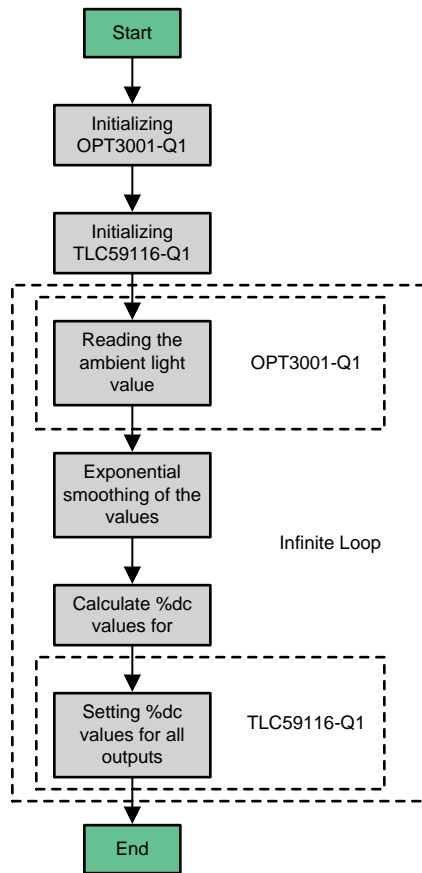


Copyright © 2016, Texas Instruments Incorporated

Figure 16. TIDA-01500 Board Connections to LaunchPad™

3.2 Software

Special testing software has been created for this design which controls the LED driver as well as the ambient light sensor through the I²C bus. The software is structured in such a way that the MCU systematically requests the ambient light values from the OPT3001-Q1 driver, starts exponential smoothing of the raw data stream, and then takes the duty cycle value (%) from the predefined look-up table and sets the appropriate registers in the TLC59116 device so that all the LEDs on the output have an equivalent lighting intensity. The flow chart in [Figure 17](#) shows the structure of the software.



Copyright © 2017, Texas Instruments Incorporated

☒ 17. Software Flow Chart

4 Testing and Results

The goal of this reference design is to drive multiple LEDs and adapt the LED lighting intensity to the ambient light intensity level by dimming each LED individually or dimming all 18 LEDs simultaneously (group dimming). The best way to see the effect of LED dimming for the HVAC HMI application is to put the TIDA-01500 device into the HMI housing and monitor the LED lighting intensity based on the ambient light level. The following 図 18 through 図 21 show the difference in LED lighting intensity between a 4%, 20%, 45%, and 80% duty cycle.



図 18. LED Dimming With 4% Duty Cycle



図 19. LED Dimming With 20% Duty Cycle



図 20. LED Dimming With 45% Duty Cycle



図 21. LED Dimming With 80% Duty Cycle

5 Design Files

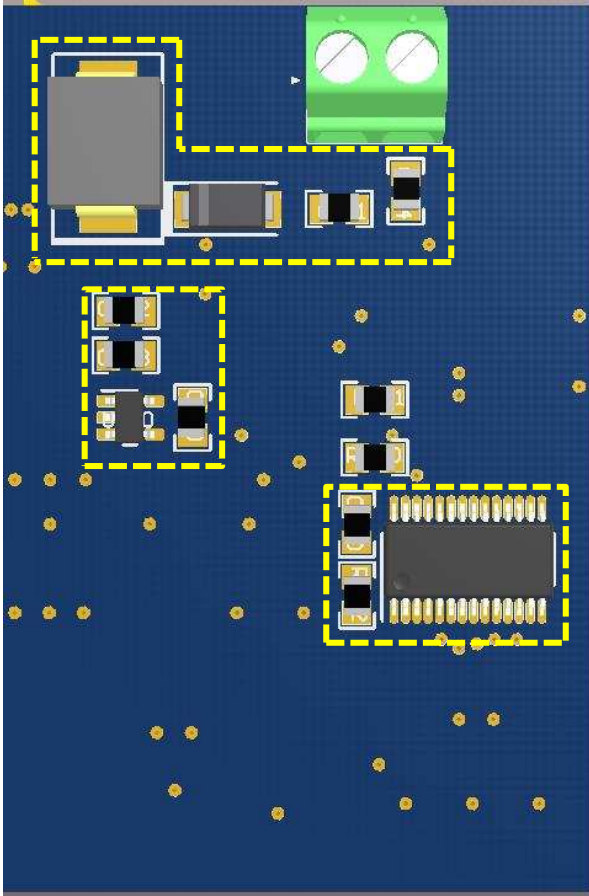
5.1 Schematics

To download the schematics, see the design files at [TIDA-01500](#).

5.2 Bill of Materials

To download the bill of materials (BOM), see the design files at [TIDA-01500](#).

5.3 PCB Layout Recommendations


 Figure 22 shows the bottom view of the TIDA-01500 board. As the top layer of the board shows, the battery (supply) voltage is delivered to the voltage regulator through a protection circuit, which consists of two ESD ceramic capacitances (L-shape placing), a reverse-polarity protection diode, and a TVS diode. All the components of the protection circuit are placed very close to each other. The voltage regulator uses two ceramic input capacitances in parallel and one output ceramic capacitance—all three caps are placed to the pins as close as possible. The TLC59116-Q1 device has one 100-nF ceramic cap on the VCC pin and a connected 665- Ω resistance next to the REXT-pin which defines the output current level. Both components are placed as close as possible to the TLC device.

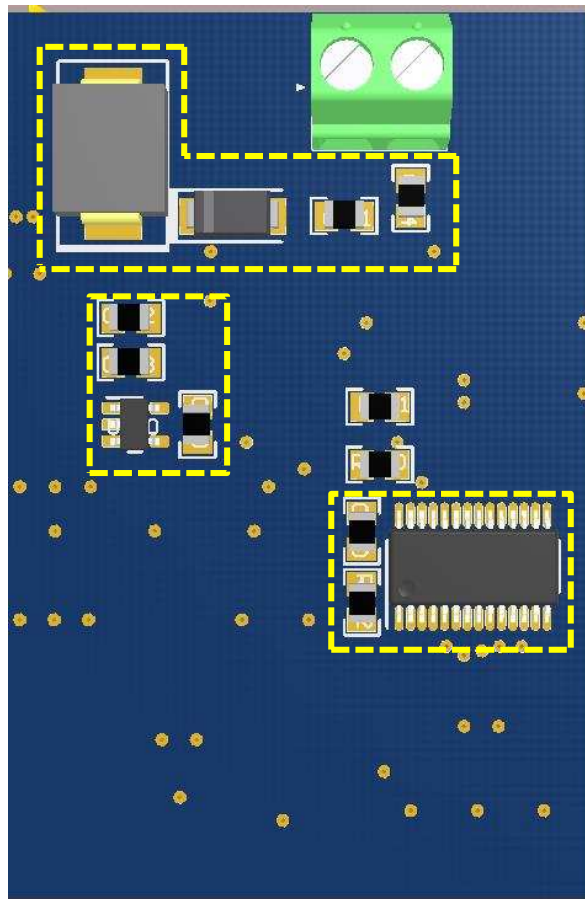


図 22. TIDA-01500 Bottom Layer

5.3.1 Layout Prints

To download the layer plots, see the design files at [TIDA-01500](#).

5.4 Altium Project

To download the Altium project files, see the design files at [TIDA-01500](#).

5.5 Gerber Files

To download the Gerber files, see the design files at [TIDA-01500](#).

5.6 Assembly Drawings

To download the assembly drawings, see the design files at [TIDA-01500](#).

6 Software Files

To download the software files, see the design files at [TIDA-01500](#).

7 Related Documentation

1. Texas Instruments, [16-Channel FM+I2C-Bus Constant-Current LED Sink Driver](#), TLC59116-Q1 Data Sheet
2. Texas Instruments, [150-mA, 30-V, 1 \$\mu\$ A Iq Voltage Regulators with Enable](#), TPS709-Q1 Data Sheet
3. Texas Instruments, [Ambient Light Sensor \(ALS\)](#), OPT3001-Q1 Data Sheet

7.1 商標

LaunchPad, MSP430, BoosterPack are trademarks of Texas Instruments.
すべての商標および登録商標はそれぞれの所有者に帰属します。

8 About the Author

LEVAN BIDZISHVILI is a systems engineer at Texas Instruments where he is responsible for developing reference design solutions for the automotive body and HVAC segment. Levan brings his extensive experience of more than 7 years of automotive analog and digital applications to this role. Levan earned his master's degree of engineering in sensor systems technology from the University of Applied Sciences in Karlsruhe, Germany.

改訂履歴

資料番号末尾の英字は改訂を表しています。その改訂履歴は英語版に準じています。

2017年11月発行のものから更新

Page

-
- OPT3004-Q1 to OPT3001-Q1 変更 12
-

重要なお知らせと免責事項

TI は、技術データと信頼性データ(データシートを含みます)、設計リソース(リファレンス・デザインを含みます)、アプリケーションや設計に関する各種アドバイス、Web ツール、安全性情報、その他のリソースを、欠陥が存在する可能性のある「現状のまま」提供しており、商品性および特定目的に対する適合性の黙示保証、第三者の知的財産権の非侵害保証を含むいかなる保証も、明示的または黙示的にかかわらず拒否します。

これらのリソースは、TI 製品を使用する設計の経験を積んだ開発者への提供を意図したものです。(1) お客様のアプリケーションに適した TI 製品の選定、(2) お客様のアプリケーションの設計、検証、試験、(3) お客様のアプリケーションに該当する各種規格や、その他のあらゆる安全性、セキュリティ、規制、または他の要件への確実な適合に関する責任を、お客様のみが単独で負うものとし、

上記の各種リソースは、予告なく変更される可能性があります。これらのリソースは、リソースで説明されている TI 製品を使用するアプリケーションの開発の目的でのみ、TI はその使用をお客様に許諾します。これらのリソースに関して、他の目的で複製することや掲載することは禁止されています。TI や第三者の知的財産権のライセンスが付与されている訳ではありません。お客様は、これらのリソースを自身で使用した結果発生するあらゆる申し立て、損害、費用、損失、責任について、TI およびその代理人を完全に補償するものとし、TI は一切の責任を拒否します。

TI の製品は、[TI の販売条件](#)、または [ti.com](https://www.ti.com) やかかる TI 製品の関連資料などのいずれかを通じて提供する適用可能な条項の下で提供されています。TI がこれらのリソースを提供することは、適用される TI の保証または他の保証の放棄の拡大や変更を意味するものではありません。

お客様がいかなる追加条項または代替条項を提案した場合でも、TI はそれらに異議を唱え、拒否します。

郵送先住所 : Texas Instruments, Post Office Box 655303, Dallas, Texas 75265

Copyright © 2022, Texas Instruments Incorporated