

LM3578

AN-1055 Low-Cost Multiple Output Flyback Converter for I/O Cards



Literature Number: SNOA383

Low-Cost Multiple Output Flyback Converter for I/O Cards

National Semiconductor
Application Note 1055
Ravindra Ambatipudi
November 1996



Low-Cost Multiple Output Flyback Converter for I/O Cards

INTRODUCTION

Isolated power supplies for I/O cards are required to provide multiple outputs (typically 9V at 0 mA–120 mA and 5V at 0 mA–200 mA) from a 3.3V input. The transformer peak primary currents are generally very high, there by eliminating the choice of many popular low-cost integrated circuits. The circuits shown in *Figure 1* performs the required conversion using LM3578A and D44C3A npn transistor. The LM3578A is a switching regulator featuring an internal comparator, oscillator, protection circuitry and a transistor. The transistor can handle currents only up to 750 mA. However, this internal transistor can be used to drive an external transistor of higher current rating such as D44C3A, in order to handle the required currents.

CONVERTER DESIGN EQUATIONS

System Specifications:

$$\begin{aligned} V_{IN} &= 3.3V (\pm 10\%) \\ V_{O1} &= 9V (\pm 10\%) \text{ (Isolated)} \\ V_{O2} &= 5V (\pm 5\%) \text{ (Isolation not a must)} \\ I_{O1} &= 0 \text{ mA} - 120 \text{ mA} \\ I_{O2} &= 0 \text{ mA} - 200 \text{ mA} \end{aligned}$$

In the following equations, the switching frequency is assumed to be 80 kHz and the maximum duty cycle is assumed to be 50%.

Transformer Specification:

Transformer turns ratio is:

$$\begin{aligned} \frac{N_{S1}}{N_P} &= \frac{(V_{O1} + V_d)}{V_{IN(\min)} - V_{CE(\text{sat})}} \frac{D_{\max}}{1 - D_{\max}} \\ &= \frac{(9 + 0.7)}{(3 - 0.3)} \frac{0.5}{1 - 0.5} = 3.6 \end{aligned} \quad (1)$$

$$\begin{aligned} \frac{N_{S2}}{N_P} &= \frac{(V_{O2} + V_d)}{V_{IN(\min)} - V_{CE(\text{sat})}} \frac{D_{\max}}{1 - D_{\max}} \\ &= \frac{(5 + 0.7)}{(3 - 0.3)} \frac{0.5}{1 - 0.5} = 2.1 \end{aligned} \quad (2)$$

Assuming an efficiency of 80%, the average input current at max. load is:

$$\begin{aligned} I_{IN(\text{dc})} &= \frac{V_{O1} I_{O1(\max)} + V_{O2} I_{O2(\max)}}{\eta V_{IN(\min)}} \\ &= \frac{2.08}{0.8 (3)} = 0.87A \end{aligned} \quad (3)$$

Hence, the average switch current is:

$$I_{sw(\text{avg})} = \frac{I_{IN(\text{dc})}}{D} = \frac{0.87}{0.5} = 1.74A \quad (4)$$

Assuming the primary inductance current ripple to be 25% of the average switch current, the primary inductance is given by:

$$\begin{aligned} L_P &= \frac{(V_{IN(\min)} - V_{CE(\text{sat})}) D_{\max}}{\Delta I_P / f_s} \\ &= \frac{(3 - 0.3) 0.5}{80000 \times 1.74 / 2} = 19.5 \mu\text{H} \end{aligned} \quad (5)$$

Peak primary current is given by:

$$\begin{aligned} I_P &= I_{sw(\text{avg})} + \Delta I_P / 2 \\ &= 1.74 + 1.74 / 4 = 2.2A \end{aligned} \quad (6)$$

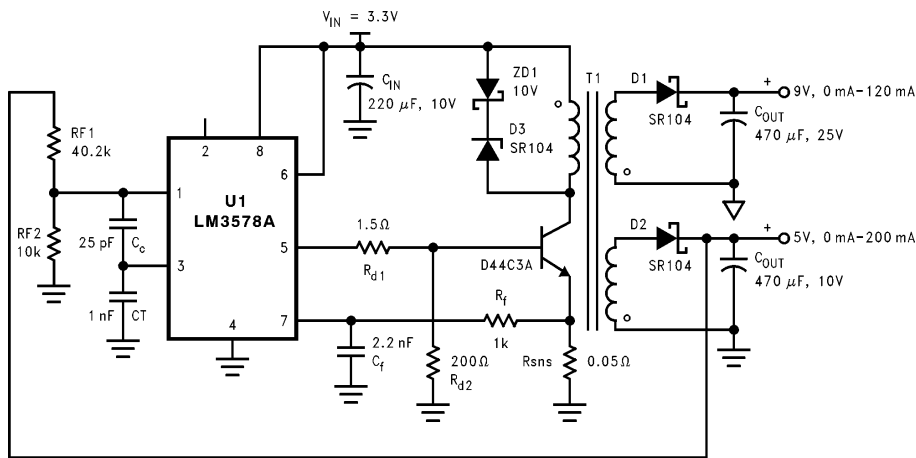


FIGURE 1

TL/H/12878-1

AN-1055

Transistor Selection:

The transistor should be able to handle the peak current calculated above. The internal transistor in LM3578 can handle up to 750 mA. So the current gain of the external transistor should be greater than 30 at the peak primary current. The off state voltage rating of the switch should be at least 10V. One npn transistor meeting these requirements is D44C3A.

Current Limiting with LM3578A:

Current limiting is activated whenever pin 7 is pulled 110 mV (typically) above the ground. In this application, voltage across the resistor R_{sn} is sensed in order to determine excess current through the external switch. Typical value for R_{sn} is 0.05Ω . R_{sn} can also be fabricated on a copper trace. If ΔT is the estimated temperature rise, the resistance of 1 oz/ft² copper sheet is given by

$$R_c(T) = 0.5 \times 10^{-3} [1 + 3.9 \times 10^{-3} (T_A - 20 + \Delta T)] \quad (7)$$

Where T_A is the ambient temperature. The required length (l) and width (w) of copper trace can be calculated using the following equations:

$$w = \frac{1000 \times I_{lim}}{\sqrt{\Delta T / (55 R_c(T))}} \quad (8)$$

$$l = w \frac{R_{sn}}{R_c(T)} \quad (9)$$

where I_{lim} is the desired current limit set point.

PARTS LIST

Designator	Quantity	Value/Rating	Description
U1	1	—	LM3578A Switching Regulator
Q1	1	5A, 30V	D44C3A, NPN Transistor
D1, D2	2	1A, 40V	Output Diodes, SR104
D3	1	1A, 40V	Clamping Diode, SR104
ZD1	1	10V	Zener diode for clamping
T1	1	Lp-24.2 μ H, Ip-2.1A	Transformer
C _{IN}	1	220 μ F, 6.3V	Input bulk capacitor
C _{O1}	1	470 μ F, 16V	Output 1 capacitor
C _{O2}	1	470 μ F, 10V	Output 2 capacitor
R _{sn}	1	0.05 Ω , 1/2W	Current limiting resistor
R ₁	1	40.2 k Ω , 1/4W	Feedback resistor
R ₂	1	10 k Ω , 1/4W	Feedback resistor
R _{d1}	1	1.5 Ω , 1/4W	Base drive resistor
R _{d2}	1	200 Ω , 1/4W	Base drive resistor
R _f	1	1 k Ω , 1/4W	Resistor for spike suppression
C _f	1	2.2 nF	Capacitor for spike suppression
C _T	1	1 nF	Timing capacitor
C _c	1	1 nF	Compensation capacitor

Feedback:

Isolation between the 9V output and the input is maintained by using the 5V output for feedback (since the specification does not require isolation between 5V output and the input).

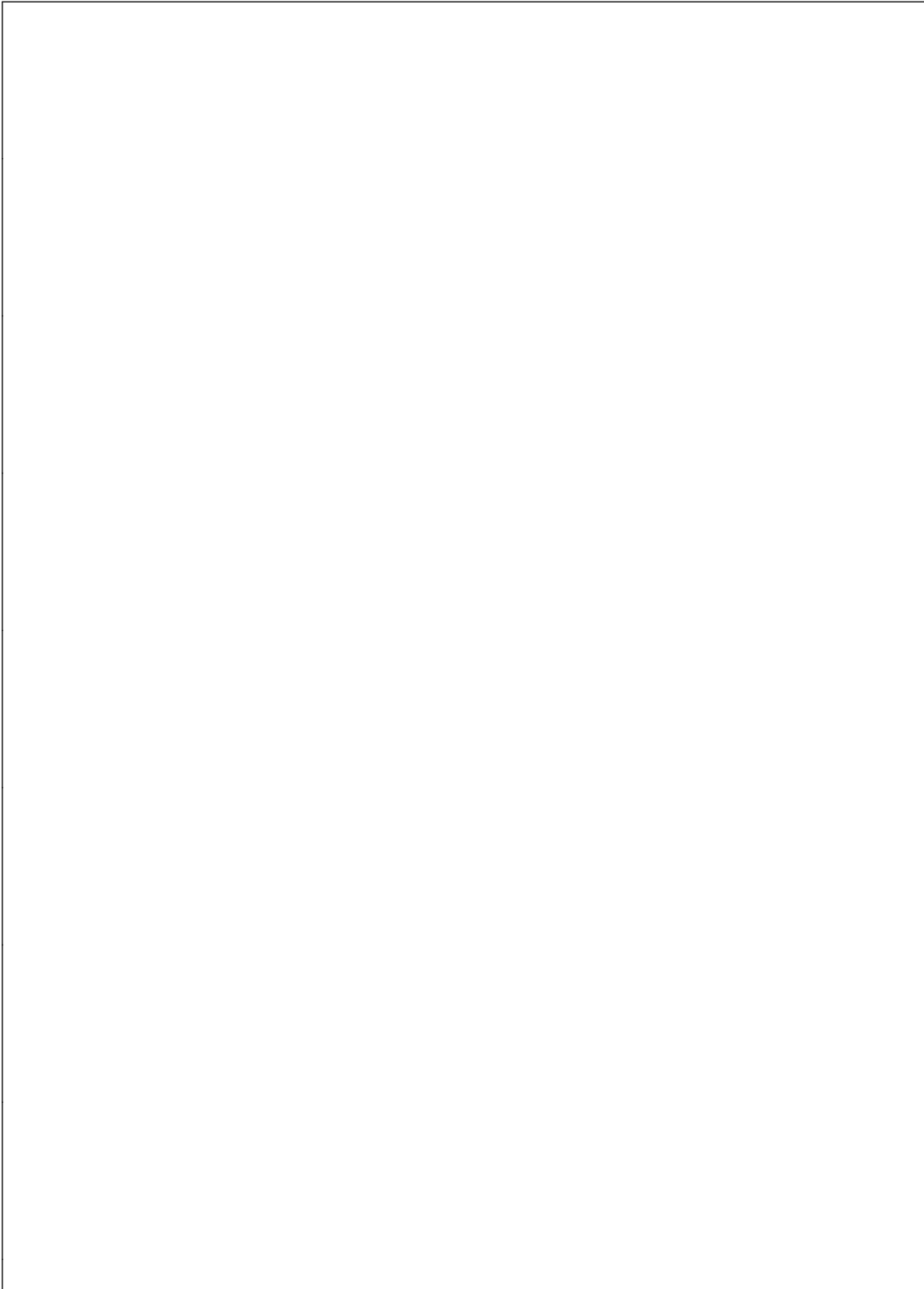
Thus, the need for an opto-isolator or other type of feedback-isolation is eliminated. The reference pin (pin 1) is set at 1V using a resistor divider network (R_1 , R_2).

Compensation:

The switching frequency is set by using the timing capacitor C_T . Choosing a value of 1 nF for C_T sets the switching frequency at 80 kHz. Capacitor C_1 (typically between 10 pF–25 pF), together with the feedback resistors (R_1 and R_2) is used for compensation. For more details on choice of the above components, please refer to National Semiconductor data sheet for LM3578A.

RESULTS

The output voltage ripple was measured to be equal to 63 mV at the 5V output and 43 mV at the isolated 9V output. Efficiency of this converter was around 78% under nominal conditions. Less than 10% cross-regulation was observed.



LIFE SUPPORT POLICY

NATIONAL'S PRODUCTS ARE NOT AUTHORIZED FOR USE AS CRITICAL COMPONENTS IN LIFE SUPPORT DEVICES OR SYSTEMS WITHOUT THE EXPRESS WRITTEN APPROVAL OF THE PRESIDENT OF NATIONAL SEMICONDUCTOR CORPORATION. As used herein:

1. Life support devices or systems are devices or systems which, (a) are intended for surgical implant into the body, or (b) support or sustain life, and whose failure to perform, when properly used in accordance with instructions for use provided in the labeling, can be reasonably expected to result in a significant injury to the user.
2. A critical component is any component of a life support device or system whose failure to perform can be reasonably expected to cause the failure of the life support device or system, or to affect its safety or effectiveness.



IMPORTANT NOTICE

Texas Instruments Incorporated and its subsidiaries (TI) reserve the right to make corrections, modifications, enhancements, improvements, and other changes to its products and services at any time and to discontinue any product or service without notice. Customers should obtain the latest relevant information before placing orders and should verify that such information is current and complete. All products are sold subject to TI's terms and conditions of sale supplied at the time of order acknowledgment.

TI warrants performance of its hardware products to the specifications applicable at the time of sale in accordance with TI's standard warranty. Testing and other quality control techniques are used to the extent TI deems necessary to support this warranty. Except where mandated by government requirements, testing of all parameters of each product is not necessarily performed.

TI assumes no liability for applications assistance or customer product design. Customers are responsible for their products and applications using TI components. To minimize the risks associated with customer products and applications, customers should provide adequate design and operating safeguards.

TI does not warrant or represent that any license, either express or implied, is granted under any TI patent right, copyright, mask work right, or other TI intellectual property right relating to any combination, machine, or process in which TI products or services are used. Information published by TI regarding third-party products or services does not constitute a license from TI to use such products or services or a warranty or endorsement thereof. Use of such information may require a license from a third party under the patents or other intellectual property of the third party, or a license from TI under the patents or other intellectual property of TI.

Reproduction of TI information in TI data books or data sheets is permissible only if reproduction is without alteration and is accompanied by all associated warranties, conditions, limitations, and notices. Reproduction of this information with alteration is an unfair and deceptive business practice. TI is not responsible or liable for such altered documentation. Information of third parties may be subject to additional restrictions.

Resale of TI products or services with statements different from or beyond the parameters stated by TI for that product or service voids all express and any implied warranties for the associated TI product or service and is an unfair and deceptive business practice. TI is not responsible or liable for any such statements.

TI products are not authorized for use in safety-critical applications (such as life support) where a failure of the TI product would reasonably be expected to cause severe personal injury or death, unless officers of the parties have executed an agreement specifically governing such use. Buyers represent that they have all necessary expertise in the safety and regulatory ramifications of their applications, and acknowledge and agree that they are solely responsible for all legal, regulatory and safety-related requirements concerning their products and any use of TI products in such safety-critical applications, notwithstanding any applications-related information or support that may be provided by TI. Further, Buyers must fully indemnify TI and its representatives against any damages arising out of the use of TI products in such safety-critical applications.

TI products are neither designed nor intended for use in military/aerospace applications or environments unless the TI products are specifically designated by TI as military-grade or "enhanced plastic." Only products designated by TI as military-grade meet military specifications. Buyers acknowledge and agree that any such use of TI products which TI has not designated as military-grade is solely at the Buyer's risk, and that they are solely responsible for compliance with all legal and regulatory requirements in connection with such use.

TI products are neither designed nor intended for use in automotive applications or environments unless the specific TI products are designated by TI as compliant with ISO/TS 16949 requirements. Buyers acknowledge and agree that, if they use any non-designated products in automotive applications, TI will not be responsible for any failure to meet such requirements.

Following are URLs where you can obtain information on other Texas Instruments products and application solutions:

Products

Audio	www.ti.com/audio
Amplifiers	amplifier.ti.com
Data Converters	dataconverter.ti.com
DLP® Products	www.dlp.com
DSP	dsp.ti.com
Clocks and Timers	www.ti.com/clocks
Interface	interface.ti.com
Logic	logic.ti.com
Power Mgmt	power.ti.com
Microcontrollers	microcontroller.ti.com
RFID	www.ti-rfid.com
OMAP Mobile Processors	www.ti.com/omap
Wireless Connectivity	www.ti.com/wirelessconnectivity

Applications

Communications and Telecom	www.ti.com/communications
Computers and Peripherals	www.ti.com/computers
Consumer Electronics	www.ti.com/consumer-apps
Energy and Lighting	www.ti.com/energy
Industrial	www.ti.com/industrial
Medical	www.ti.com/medical
Security	www.ti.com/security
Space, Avionics and Defense	www.ti.com/space-avionics-defense
Transportation and Automotive	www.ti.com/automotive
Video and Imaging	www.ti.com/video

TI E2E Community Home Page

e2e.ti.com

Mailing Address: Texas Instruments, Post Office Box 655303, Dallas, Texas 75265
Copyright © 2011, Texas Instruments Incorporated