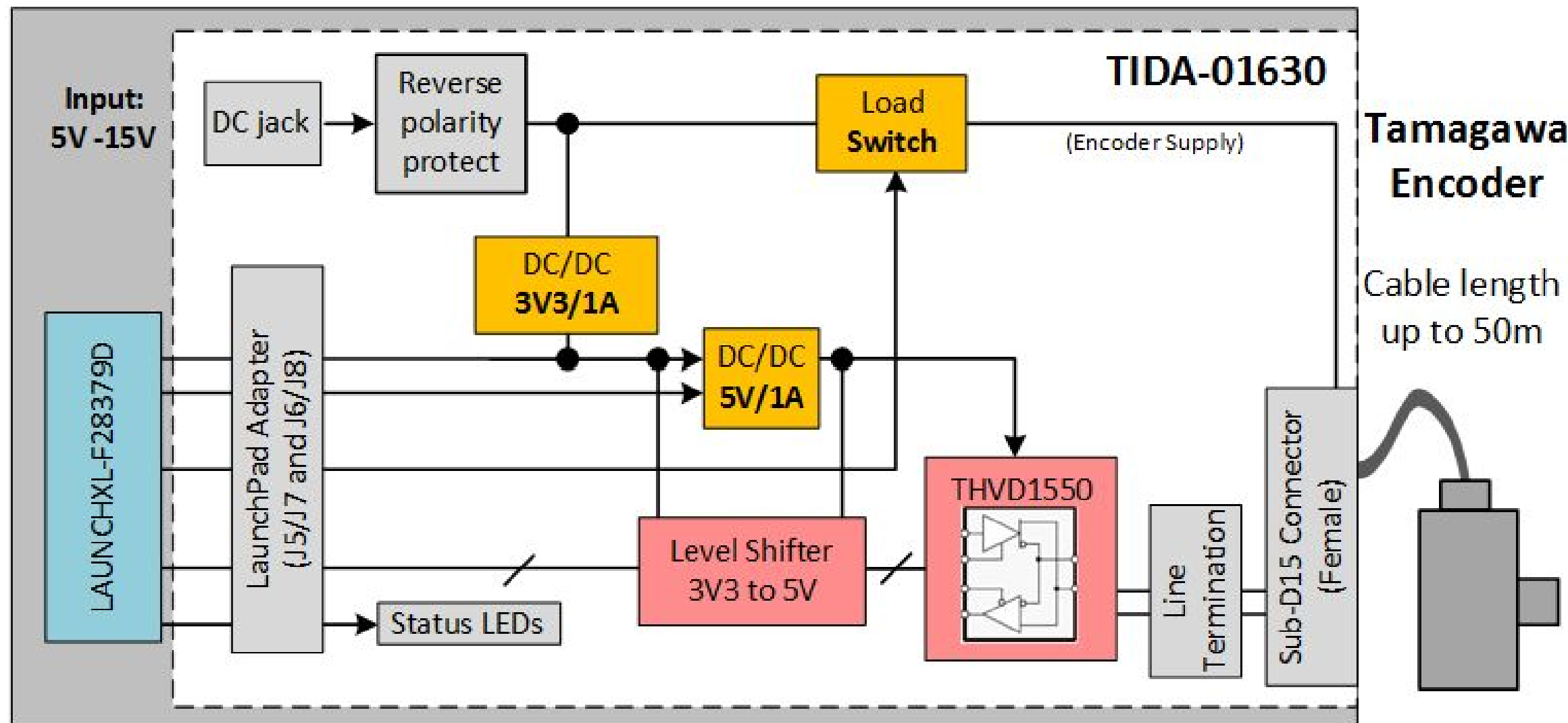


Revision History				
Rev	ECN #	Approved Date	Approved by	Notes
N/A	N/A	N/A	N/A	N/A



Texas Instruments and/or its licensors do not warrant the accuracy or completeness of this specification or any information contained therein. Texas Instruments and/or its licensors do not warrant that this design will meet the specifications, will be suitable for your application or fit for any particular purpose, or will operate in an implementation. Texas Instruments and/or its licensors do not warrant that the design is production worthy. You should completely validate and test your design implementation to confirm the system functionality for your application.

Orderable: EVM_orderable	Designed for: Internal Use Only	Mod. Date: 3/15/2018	 http://www.ti.com © Texas Instruments 2017
TID #: 01630	Project Title: High EMC Immunity RS485 Interface Reference De	Sheet: 1 of 3	
Number: TIDA-01630	Rev: E2	Assembly Variant: 001	Size: B
SVN Rev: Version control disabled	File: TIDA-01630_CoverSheet.SchDoc	Contact: http://www.ti.com/support	
Drawn By: Kristen Mogensen			

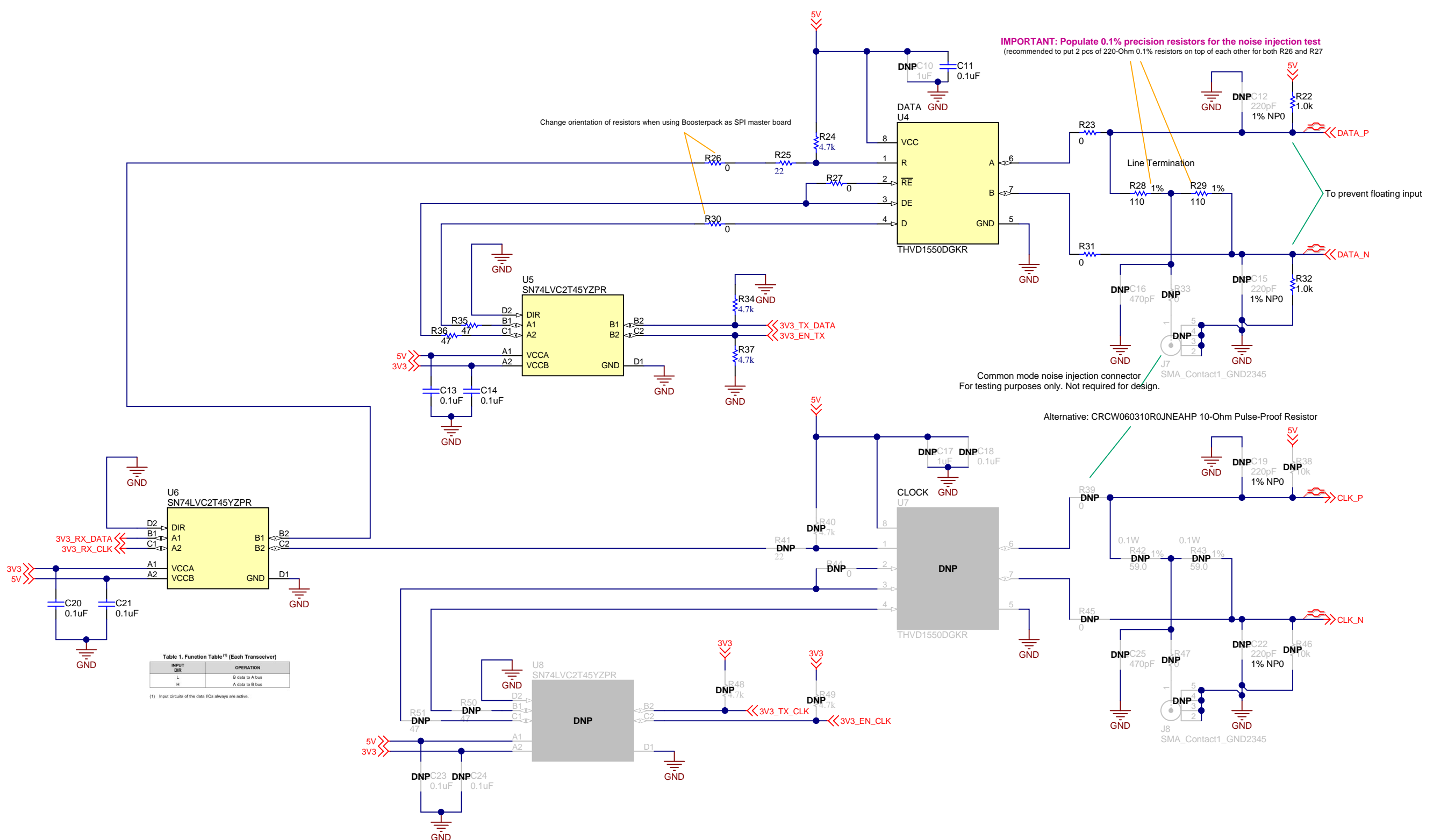


Table 1. Function Table⁽¹⁾ (Each Transceiver)

INPUT DIR	OPERATION
L	B data to A bus
H	A data to B bus

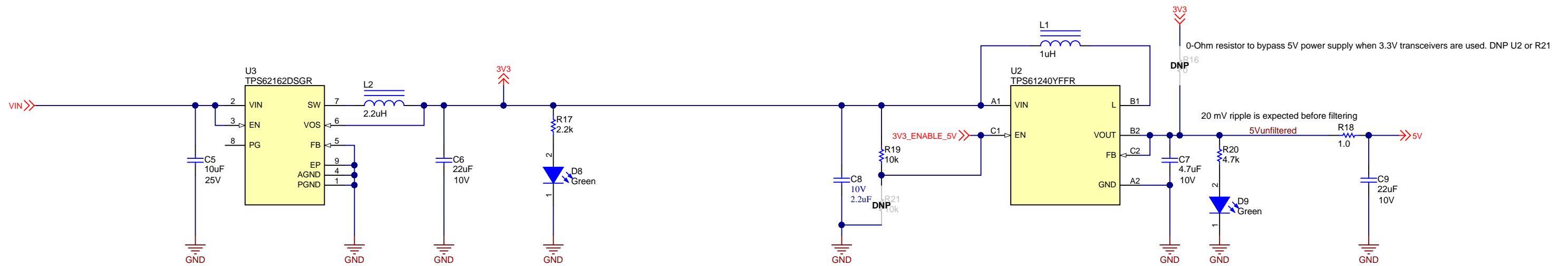
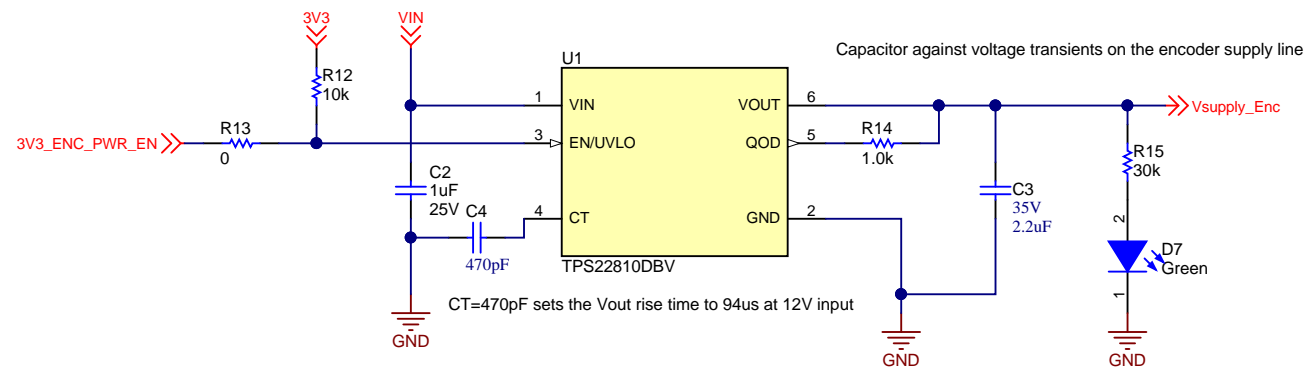
(1) Input circuits of the data I/Os always are active.

High-level input voltage (D, DE, or RE inputs), V _{IH}	2	V _{CC}	V
Low-level input voltage (D, DE, or RE inputs), V _{IL}	0	0.8	V

Texas Instruments and/or its licensors do not warrant the accuracy or completeness of this specification or any information contained therein. Texas Instruments and/or its licensors do not warrant that this design will meet the specifications, will be suitable for your application or fit for any particular purpose, or will operate in an implementation. Texas Instruments and/or its licensors do not warrant that the design is production worthy. You should completely validate and test your design implementation to confirm the system functionality for your application.

Orderable: EVM_orderable	Designed for: Internal Use Only	Mod. Date: 3/23/2018
TID #: 01630	Project Title: High EMC Immunity RS485 Interface Reference De	
Number: TIDA-01630	Rev: E2	Sheet Title:
SVN Rev: Version control disabled	Assembly Variant: 001	Sheet: 2 of 3
Drawn By:	File: TIDA-01630_Transceivers.SchDoc	Size: B
Engineer: Kristen Mogensen	Contact: http://www.ti.com/support	

TEXAS INSTRUMENTS
<http://www.ti.com>
 © Texas Instruments 2017

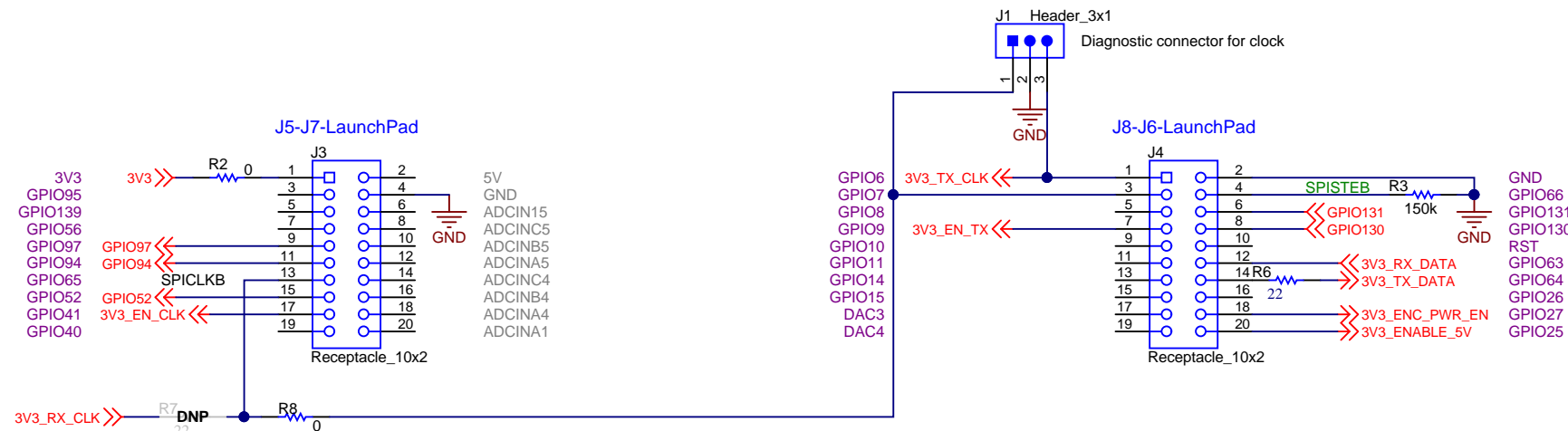


Orderable: EVM_orderable	Designed for: Internal Use Only	Mod. Date: 3/23/2018
TID #: 01630	Project Title: High EMC Immunity RS485 Interface Reference De	
Number: TIDA-01630	Rev: E2	Sheet: 2 of 3
SVN Rev: Version control disabled	File: TIDA-01630_PowerSupply_SchDoc	Size: B
Drawn By:	Engineer: Kristen Mogensen	Contact: http://www.ti.com/support

Texas Instruments and/or its licensors do not warrant the accuracy or completeness of this specification or any information contained therein. Texas Instruments and/or its licensors do not warrant that this design will meet the specifications, will be suitable for your application or fit for any particular purpose, or will operate in an implementation. Texas Instruments and/or its licensors do not warrant that the design is production worthy. You should completely validate and test your design implementation to confirm the system functionality for your application.

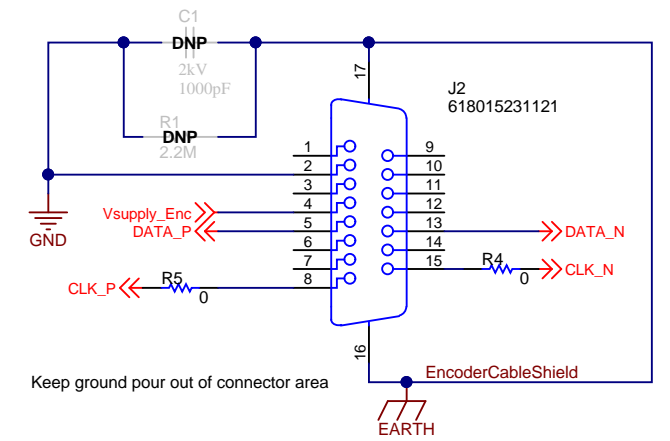


LaunchPad Connectors



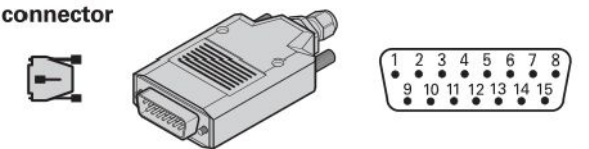
LAUNCHXL-F28379D				TIDA-01401 rev E2			
J5	J7	J8	J6	J3		J4	
3V3	5V	PWM4A	GND	3V3	NC	TX_CLK	GND
GPIO95	GND	PWM4B	SPIBCS/GPIO66	NC	GND	SPICLK	GND
GPIO139	ADCIN15	PWM5A	GPIO131	NC	NC	NC	NC
GPIO56	ADCINC5	PWM5B	GPIO130	NC	NC	TX_EN	NC
GPIO97	ADCINB5	PWM6A	RESETn	LED	NC	NC	NC
GPIO94	ADCINA5	PWM6B	SPIBSIMO	LED	NC	NC	SIMO
SPIBCLK/GPIO65	ADCINC4	GPIO14	SPIBSOMI	SPICLK	NC	NC	SOMI
GPIO52	ADCINB4	GPIO15	GPIO26	LED	NC	NC	NC
GPIO41	ADCINA4	DAC3	GPIO27	EN_CLK	NC	NC	Enc_Enable
GPIO40	ADCINA1	DAC4	GPIO25	NC	NC	NC	Enable 5V

Encoder / RS-485 Data Connector



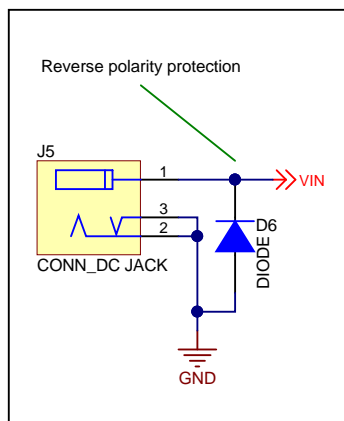
EIB 392

15-pin D-sub connector

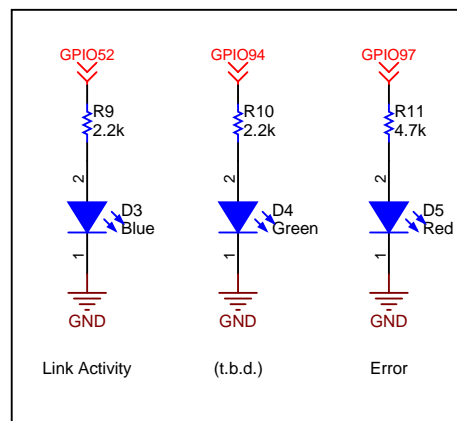


Pin	Voltage supply				Position values			
	4	12	2	10	5	13	8	15
EnDat	Up	Sensor	0V	Sensor	DATA	DATA	CLOCK	CLOCK
	Brown/ Green	Blue	White/ Green	White	Gray	Pink	Violet	Yellow

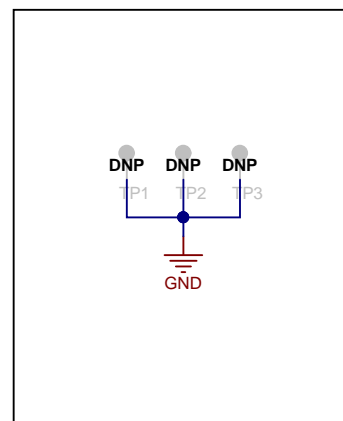
Supply Voltage



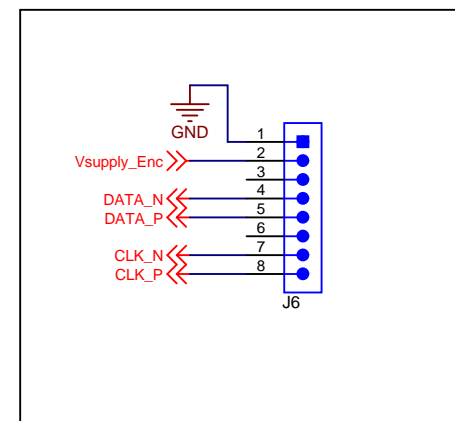
Indicator LEDs



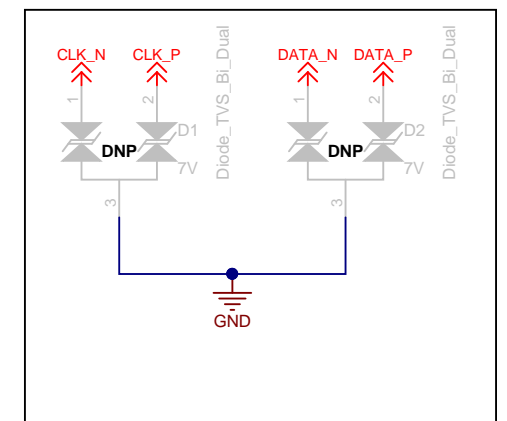
GND test points



Encoder / RS-485 Data Connector



TVS for unshielded cable test



Texas Instruments and/or its licensors do not warrant the accuracy or completeness of this specification or any information contained therein. Texas Instruments and/or its licensors do not warrant that this design will meet the specifications, will be suitable for your application or fit for any particular purpose, or will operate in an implementation. Texas Instruments and/or its licensors do not warrant that the design is production worthy. You should completely validate and test your design implementation to confirm the system functionality for your application.



PCB LOGO
Pb-Free Symbol

PCB LOGO
FCC disclaimer

Variant/Label Table	
Variant	Label Text
001	DNP version

LBL1
PCB Label
Label

ZZ1
Label Assembly Note
This Assembly Note is for PCB labels only

ZZ2
Assembly Note
These assemblies are ESD sensitive, ESD precautions shall be observed.

ZZ3
Assembly Note
These assemblies must be clean and free from flux and all contaminants. Use of no clean flux is not acceptable.

ZZ4
Assembly Note
These assemblies must comply with workmanship standards IPC-A-610 Class 2, unless otherwise specified.

IMPORTANT NOTICE FOR TI DESIGN INFORMATION AND RESOURCES

Texas Instruments Incorporated ("TI") technical, application or other design advice, services or information, including, but not limited to, reference designs and materials relating to evaluation modules, (collectively, "TI Resources") are intended to assist designers who are developing applications that incorporate TI products; by downloading, accessing or using any particular TI Resource in any way, you (individually or, if you are acting on behalf of a company, your company) agree to use it solely for this purpose and subject to the terms of this Notice.

TI's provision of TI Resources does not expand or otherwise alter TI's applicable published warranties or warranty disclaimers for TI products, and no additional obligations or liabilities arise from TI providing such TI Resources. TI reserves the right to make corrections, enhancements, improvements and other changes to its TI Resources.

You understand and agree that you remain responsible for using your independent analysis, evaluation and judgment in designing your applications and that you have full and exclusive responsibility to assure the safety of your applications and compliance of your applications (and of all TI products used in or for your applications) with all applicable regulations, laws and other applicable requirements. You represent that, with respect to your applications, you have all the necessary expertise to create and implement safeguards that (1) anticipate dangerous consequences of failures, (2) monitor failures and their consequences, and (3) lessen the likelihood of failures that might cause harm and take appropriate actions. You agree that prior to using or distributing any applications that include TI products, you will thoroughly test such applications and the functionality of such TI products as used in such applications. TI has not conducted any testing other than that specifically described in the published documentation for a particular TI Resource.

You are authorized to use, copy and modify any individual TI Resource only in connection with the development of applications that include the TI product(s) identified in such TI Resource. NO OTHER LICENSE, EXPRESS OR IMPLIED, BY ESTOPPEL OR OTHERWISE TO ANY OTHER TI INTELLECTUAL PROPERTY RIGHT, AND NO LICENSE TO ANY TECHNOLOGY OR INTELLECTUAL PROPERTY RIGHT OF TI OR ANY THIRD PARTY IS GRANTED HEREIN, including but not limited to any patent right, copyright, mask work right, or other intellectual property right relating to any combination, machine, or process in which TI products or services are used. Information regarding or referencing third-party products or services does not constitute a license to use such products or services, or a warranty or endorsement thereof. Use of TI Resources may require a license from a third party under the patents or other intellectual property of the third party, or a license from TI under the patents or other intellectual property of TI.

TI RESOURCES ARE PROVIDED "AS IS" AND WITH ALL FAULTS. TI DISCLAIMS ALL OTHER WARRANTIES OR REPRESENTATIONS, EXPRESS OR IMPLIED, REGARDING TI RESOURCES OR USE THEREOF, INCLUDING BUT NOT LIMITED TO ACCURACY OR COMPLETENESS, TITLE, ANY EPIDEMIC FAILURE WARRANTY AND ANY IMPLIED WARRANTIES OF MERCHANTABILITY, FITNESS FOR A PARTICULAR PURPOSE, AND NON-INFRINGEMENT OF ANY THIRD PARTY INTELLECTUAL PROPERTY RIGHTS.

TI SHALL NOT BE LIABLE FOR AND SHALL NOT DEFEND OR INDEMNIFY YOU AGAINST ANY CLAIM, INCLUDING BUT NOT LIMITED TO ANY INFRINGEMENT CLAIM THAT RELATES TO OR IS BASED ON ANY COMBINATION OF PRODUCTS EVEN IF DESCRIBED IN TI RESOURCES OR OTHERWISE. IN NO EVENT SHALL TI BE LIABLE FOR ANY ACTUAL, DIRECT, SPECIAL, COLLATERAL, INDIRECT, PUNITIVE, INCIDENTAL, CONSEQUENTIAL OR EXEMPLARY DAMAGES IN CONNECTION WITH OR ARISING OUT OF TI RESOURCES OR USE THEREOF, AND REGARDLESS OF WHETHER TI HAS BEEN ADVISED OF THE POSSIBILITY OF SUCH DAMAGES.

You agree to fully indemnify TI and its representatives against any damages, costs, losses, and/or liabilities arising out of your non-compliance with the terms and provisions of this Notice.

This Notice applies to TI Resources. Additional terms apply to the use and purchase of certain types of materials, TI products and services. These include; without limitation, TI's standard terms for semiconductor products (<http://www.ti.com/sc/docs/stdterms.htm>), [evaluation modules](#), and [samples](http://www.ti.com/sc/docs/sampterm.htm) (<http://www.ti.com/sc/docs/sampterm.htm>).

Mailing Address: Texas Instruments, Post Office Box 655303, Dallas, Texas 75265
Copyright © 2018, Texas Instruments Incorporated