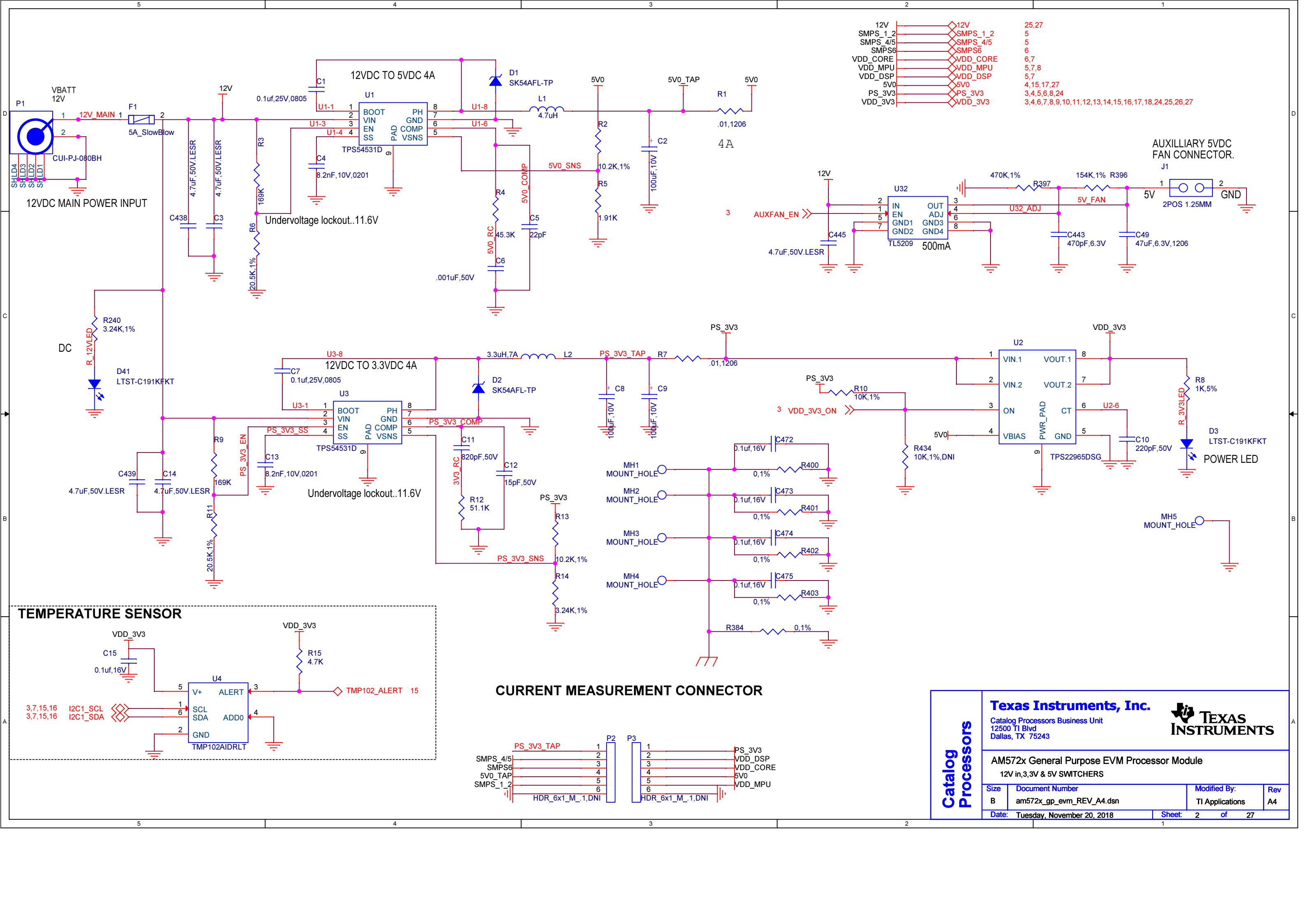


REV	DESCRIPTION	DATE	BY
A4	<ul style="list-style-type: none"> * Changed PHY to DP83867IRRGZ * Changed RJ45 to 0845-2D1T-E4 * Changed micro SD Connector 	07/17/2018	TI

TIDA-010010

- P01 TITLE PAGE
- P02 12V INPUT, 3.3V AND 5V SWITCHERS
- P03 TPS6590378 1 CONTROL
- P04 TPS6590378 2 RESET, & RTC
- P05 TPS6590378 3 MPU, DDR, & DSP SWITCHERS
- P06 TPS6590378 4 CORE & 1.8V
- P07 AM572X CORE POWER & EEPROM
- P08 AM572X CLOCKS AND RESET
- P09 AM572X IO POWER AND GROUND
- P10 AM572X DDR3 POWER & JTAG
- P11 AM572X ETHERNET 1
- P12 AM572X ETHERNET 2
- P13 AM572X GPMC & LCD
- P14 AM572X USB INTERFACES
- P15 AM572X I/O, LEDs, AND GPIO
- P16 AM572X AUDIO & DEBUG SERIAL
- P17 AM572X HDMI PORT
- P18 AM572X eMMC, MMC3, & uSD
- P19 AM572X DDR INTERFACE 1
- P20 AM572X DDR INTERFACE 2
- P21 DDR3 BANK 1
- P22 DDR3 BANK 2
- P23 DDR3 BANK 2 CAPS & TERM
- P24 DDR3 BANK 1 CAPS & TERM
- P25 USB & SATA CONNECTOR
- P26 PCIe, SATA, & SERDES CLOCK
- P27 EXPANSION HEADERS
- P28 MECHANICAL

Catalog Processors	Texas Instruments, Inc. Catalog Processors Business Unit 12500 TI Blvd Dallas, TX 75243			
	AM572x General Purpose EVM Processor Module Title Page			
	Size	Document Number	Modified By:	Rev
	B	am572x_gp_evm_REV_A4.dsn	TI Applications	A4
Date: Tuesday, November 20, 2018		Sheet: 1 of 27		



12V	◇	12V	25,27
SMPS_1_2	◇	SMPS_1_2	5
SMPS_4/5	◇	SMPS_4/5	5
SMPS6	◇	SMPS6	6
VDD_CORE	◇	VDD_CORE	6,7
VDD_MPU	◇	VDD_MPU	5,7,8
VDD_DSP	◇	VDD_DSP	5,7
5V0	◇	5V0	4,15,17,27
PS_3V3	◇	PS_3V3	3,4,5,6,8,24
VDD_3V3	◇	VDD_3V3	3,4,6,7,8,9,10,11,12,13,14,15,16,17,18,24,25,26,27

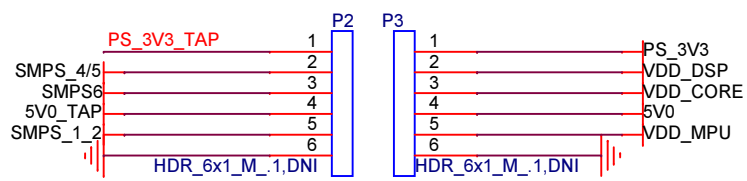
12VDC MAIN POWER INPUT

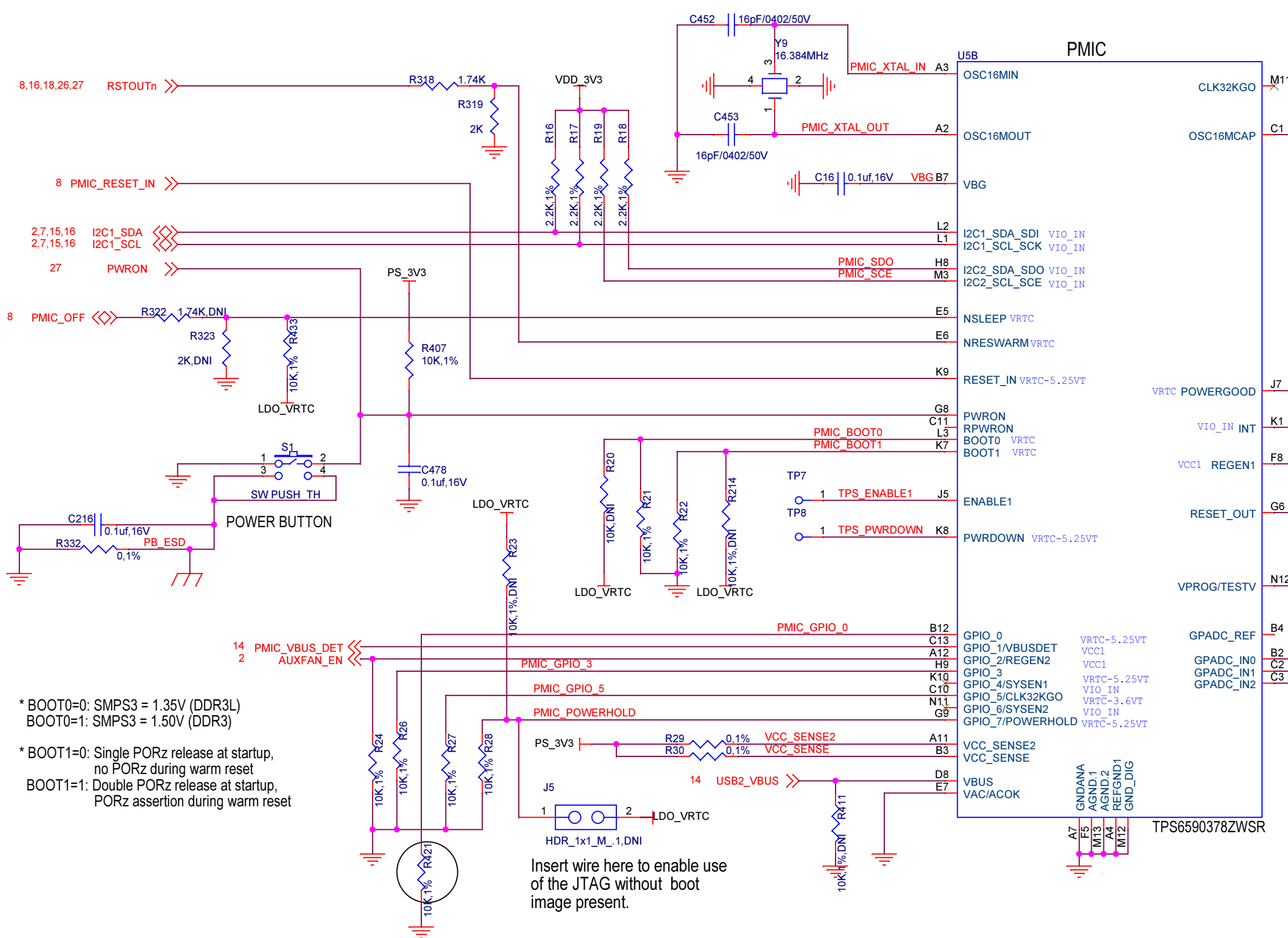
AUXILLIARY 5VDC FAN CONNECTOR.

TEMPERATURE SENSOR

CURRENT MEASUREMENT CONNECTOR

Catalog Processors	Texas Instruments, Inc.			
	Catalog Processors Business Unit 12500 TI Blvd Dallas, TX 75243			
AM572x General Purpose EVM Processor Module				
12V in, 3,3V & 5V SWITCHERS				
Size	Document Number	Modified By:	Rev	
B	am572x_gp_evm_REV_A4.dsn	TI Applications	A4	
Date:	Tuesday, November 20, 2018	Sheet:	2	of 27





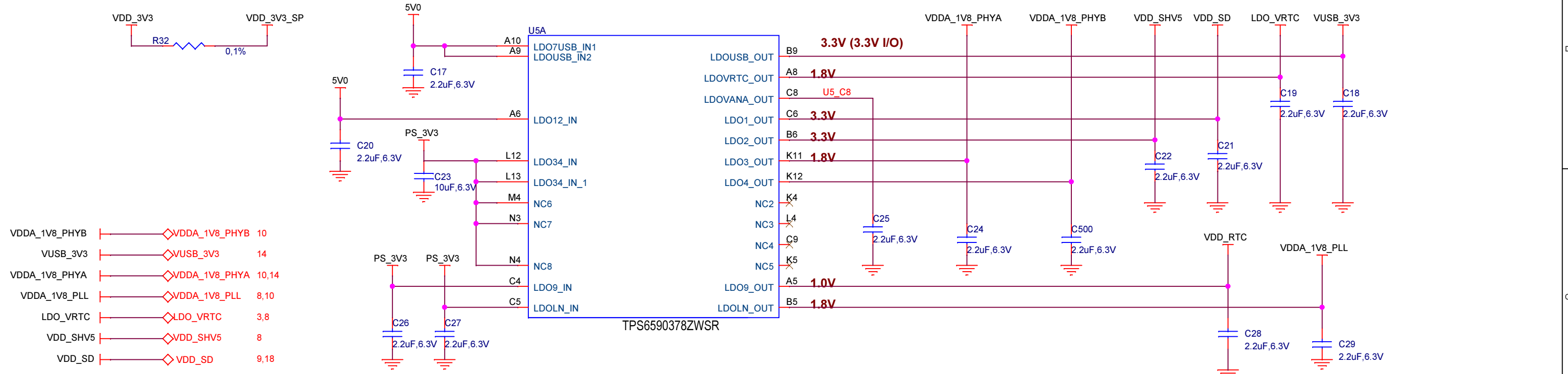
* BOOT0=0: SMPS3 = 1.35V (DDR3L)
 BOOT0=1: SMPS3 = 1.50V (DDR3)

* BOOT1=0: Single PORz release at startup,
 no PORz during warm reset
 BOOT1=1: Double PORz release at startup,
 PORz assertion during warm reset

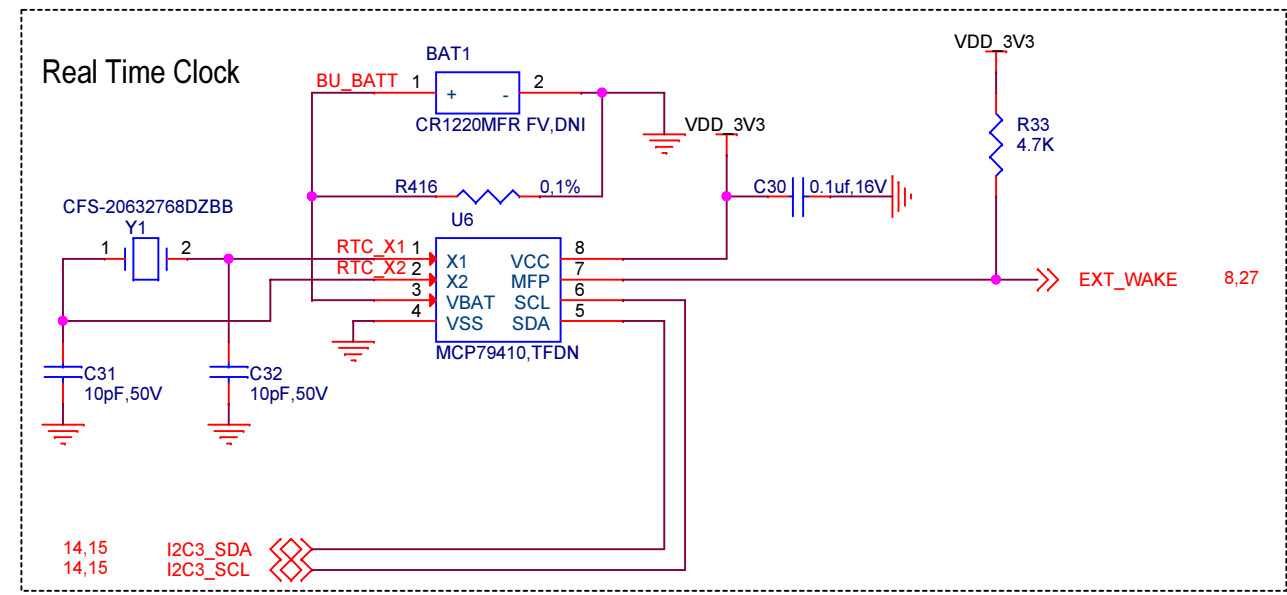
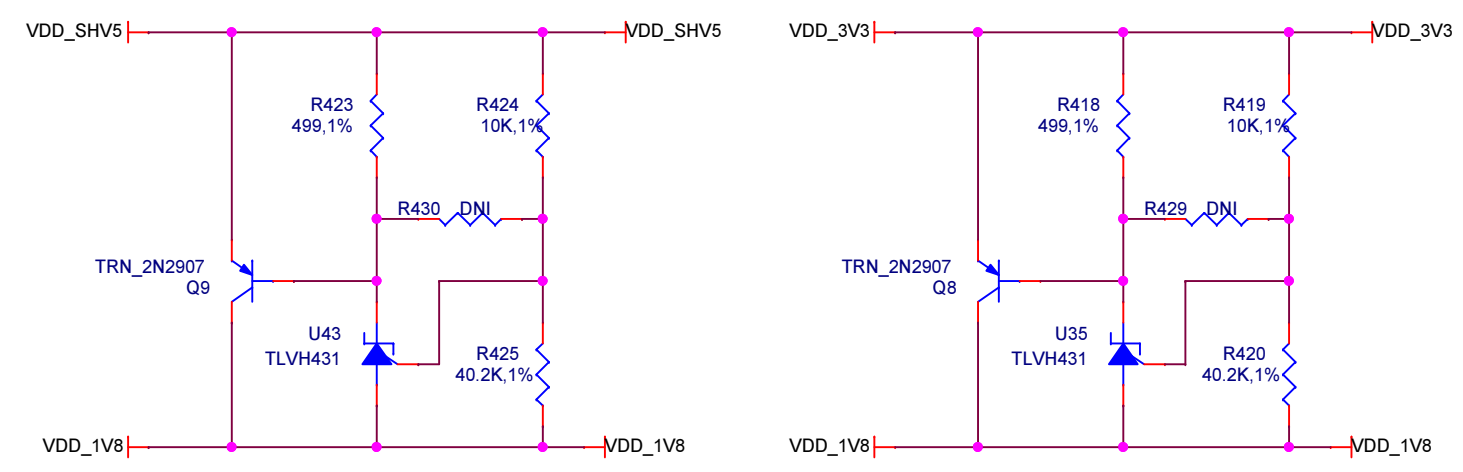
Insert wire here to enable use
 of the JTAG without boot
 image present.

VDD_3V3 <> VDD_3V3 2,4,6,7,8,9,10,11,12,13,14,15,16,17,18,24,25,26,27
 PS_3V3 <> PS_3V3 2,4,5,6,8,24
 LDO_VRTC <> LDO_VRTC 4,8

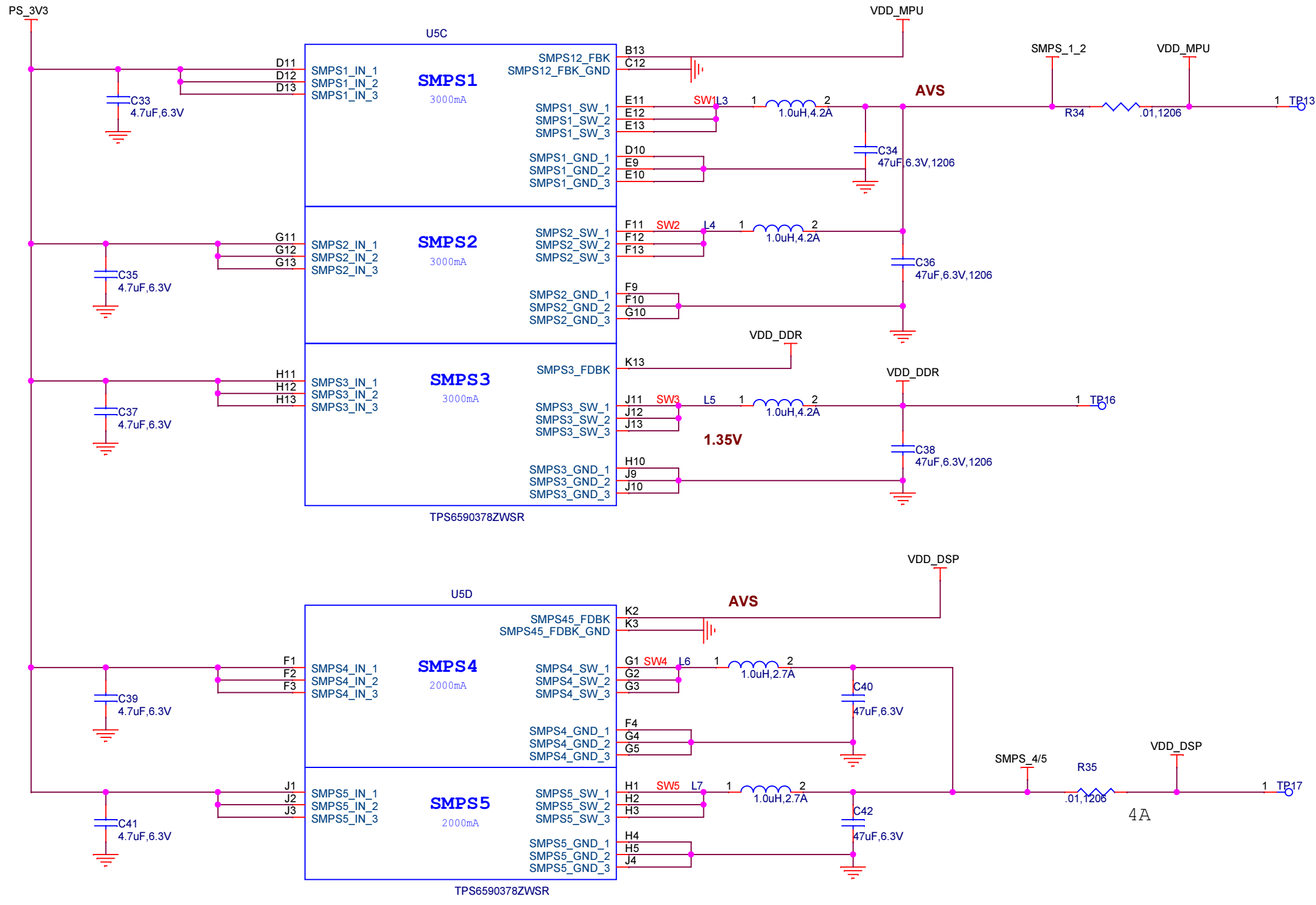
Catalog Processors	Texas Instruments, Inc.		
	Catalog Processors Business Unit 12500 TI Blvd Dallas, TX 75243		
	AM572x General Purpose EVM Processor Module		
	TPS6590378 CONTROL		
Size	Document Number	Modified By:	Rev
B	am572x_gp_evm_REV_A4.dsn	TI Applications	A4
Date: Tuesday, November 20, 2018		Sheet: 3 of 27	



VDDA_1V8_PHYB	VDDA_1V8_PHYB	10
VUSB_3V3	VUSB_3V3	14
VDDA_1V8_PHYA	VDDA_1V8_PHYA	10,14
VDDA_1V8_PLL	VDDA_1V8_PLL	8,10
LDO_VRTC	LDO_VRTC	3,8
VDD_SHV5	VDD_SHV5	8
VDD_SD	VDD_SD	9,18
VDD_3V3_SP	VDD_3V3_SP	8
PS_3V3	PS_3V3	2,3,5,6,8,24
5V0	5V0	2,15,17,27
VDD_3V3	VDD_3V3	2,3,6,7,8,9,10,11,12,13,14,15,16,17,18,24,25,26,27
VDD_1V8	VDD_1V8	6,10,26

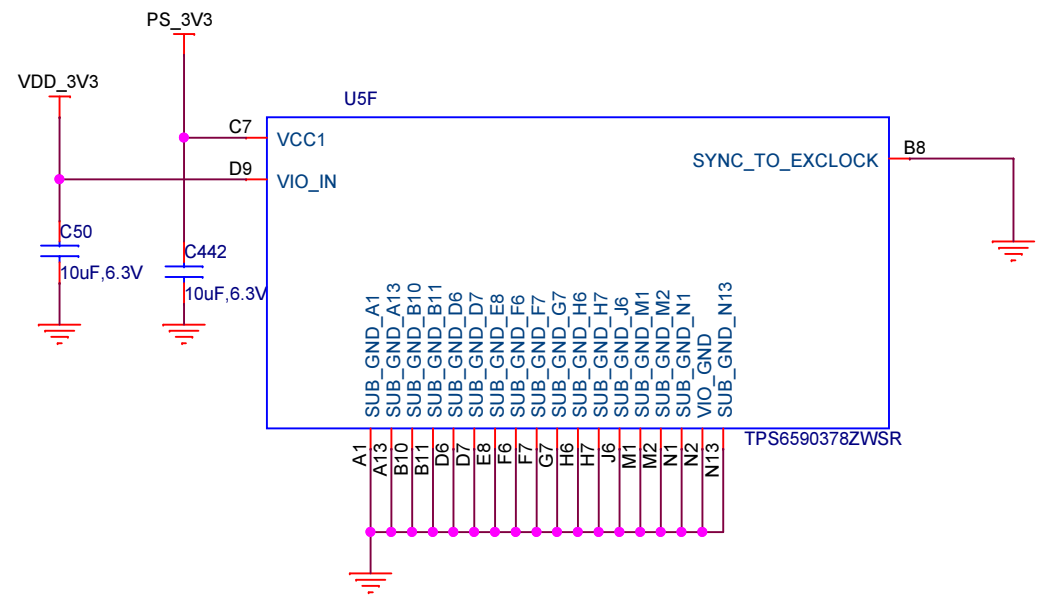
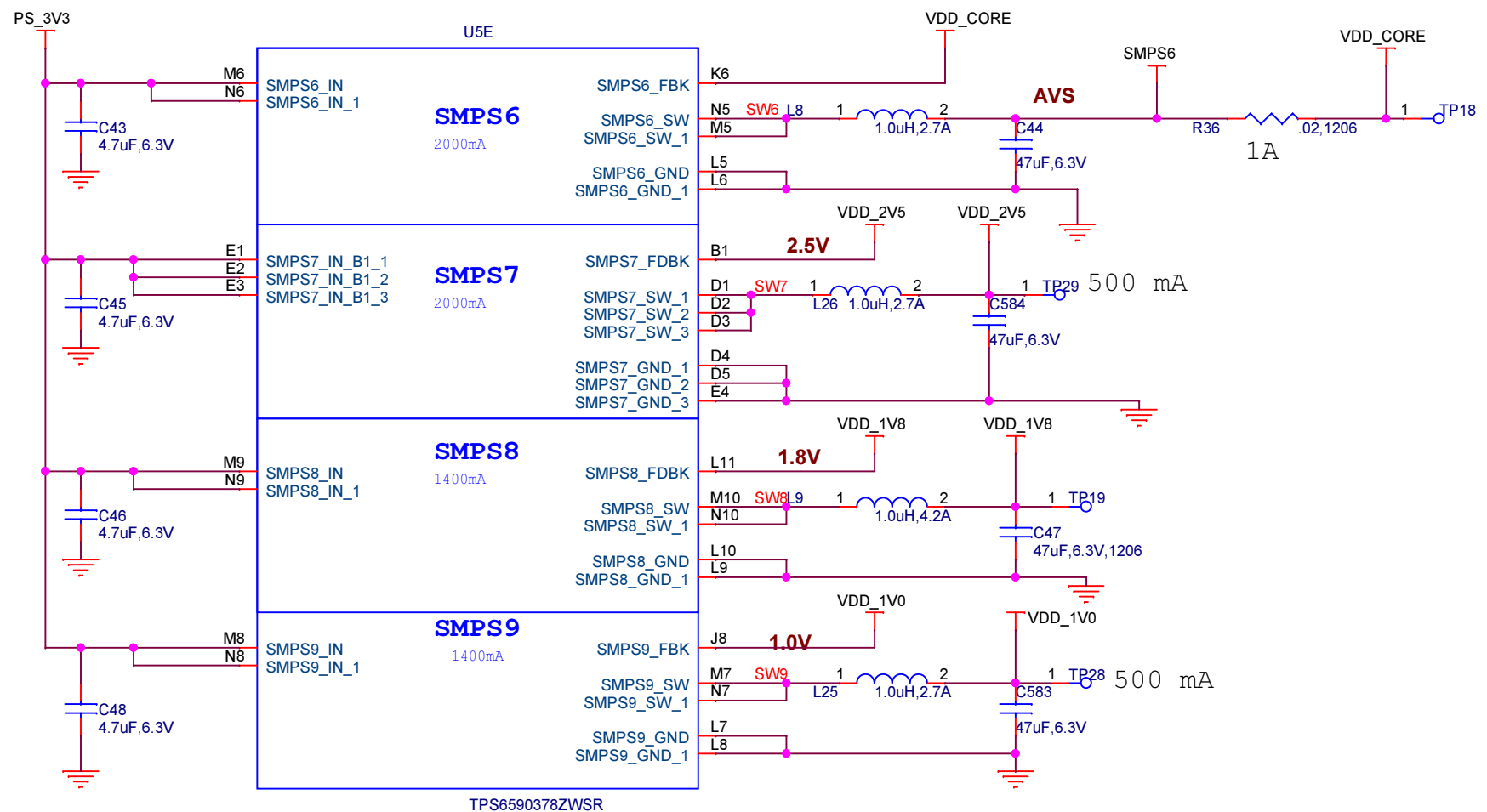


Catalog Processors	Texas Instruments, Inc.			
	Catalog Processors Business Unit 12500 TI Blvd Dallas, TX 75243			
	AM572x General Purpose EVM Processor Module			
	TPS6590378 CONTROL			
Size	Document Number	Modified By:	Rev	
B	am572x_gp_evm_REV_A4.dsn	TI Applications	A4	
Date:	Tuesday, November 20, 2018	Sheet:	4	of 27



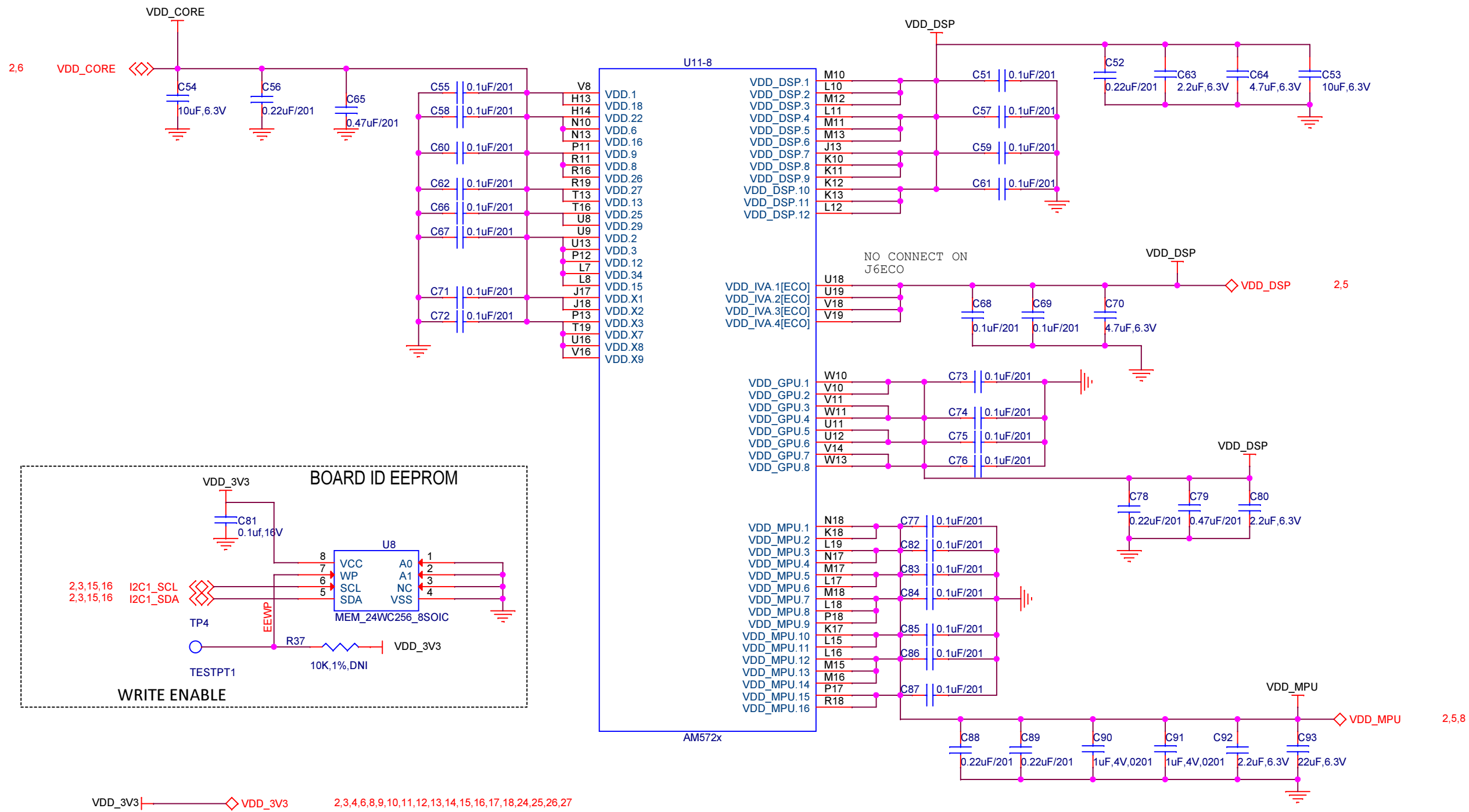
SMPS_1_2	◇ SMPS_1_2	2
VDD_MPU	◇ VDD_MPU	2,7,8
VDD_DDR	◇ VDD_DDR	10,19,21,22,23,24
VDD_DSP	◇ VDD_DSP	2,7
PS_3V3	◇ PS_3V3	2,3,4,6,8,24
SMPS_4/5	◇ SMPS_4/5	2

Catalog Processors	Texas Instruments, Inc.			
	Catalog Processors Business Unit 12500 TI Blvd Dallas, TX 75243			
	AM572x General Purpose EVM Processor Module			
	TPS6590378 MPU, DDR, & DSP			
Size	Document Number	Modified By:	Rev	
B	am572x_gp_evm_REV_A4.dsn	TI Applications	A4	
Date:	Tuesday, November 20, 2018	Sheet:	5 of 27	



VDD_2V5	◇	VDD_2V5	11,12
VDD_1V0	◇	VDD_1V0	11,12
SMPS6	◇	SMPS6	2
PS_3V3	◇	PS_3V3	2,3,4,5,8,24
VDD_3V3	◇	VDD_3V3	2,3,4,7,8,9,10,11,12,13,14,15,16,17,18,24,25,26,27
VDD_1V8	◇	VDD_1V8	4,10,26
VDD_CORE	◇	VDD_CORE	2,7

Catalog Processors	Texas Instruments, Inc.			
	Catalog Processors Business Unit 12500 TI Blvd Dallas, TX 75243			
	AM572x General Purpose EVM Processor Module			
	TPS6590378 SWITCHERS			
Size	Document Number	Modified By:	Rev	
B	am572x_gp_evm_REV_A4.dsn	TI Applications	A4	
Date: Tuesday, November 20, 2018		Sheet: 6 of 27		

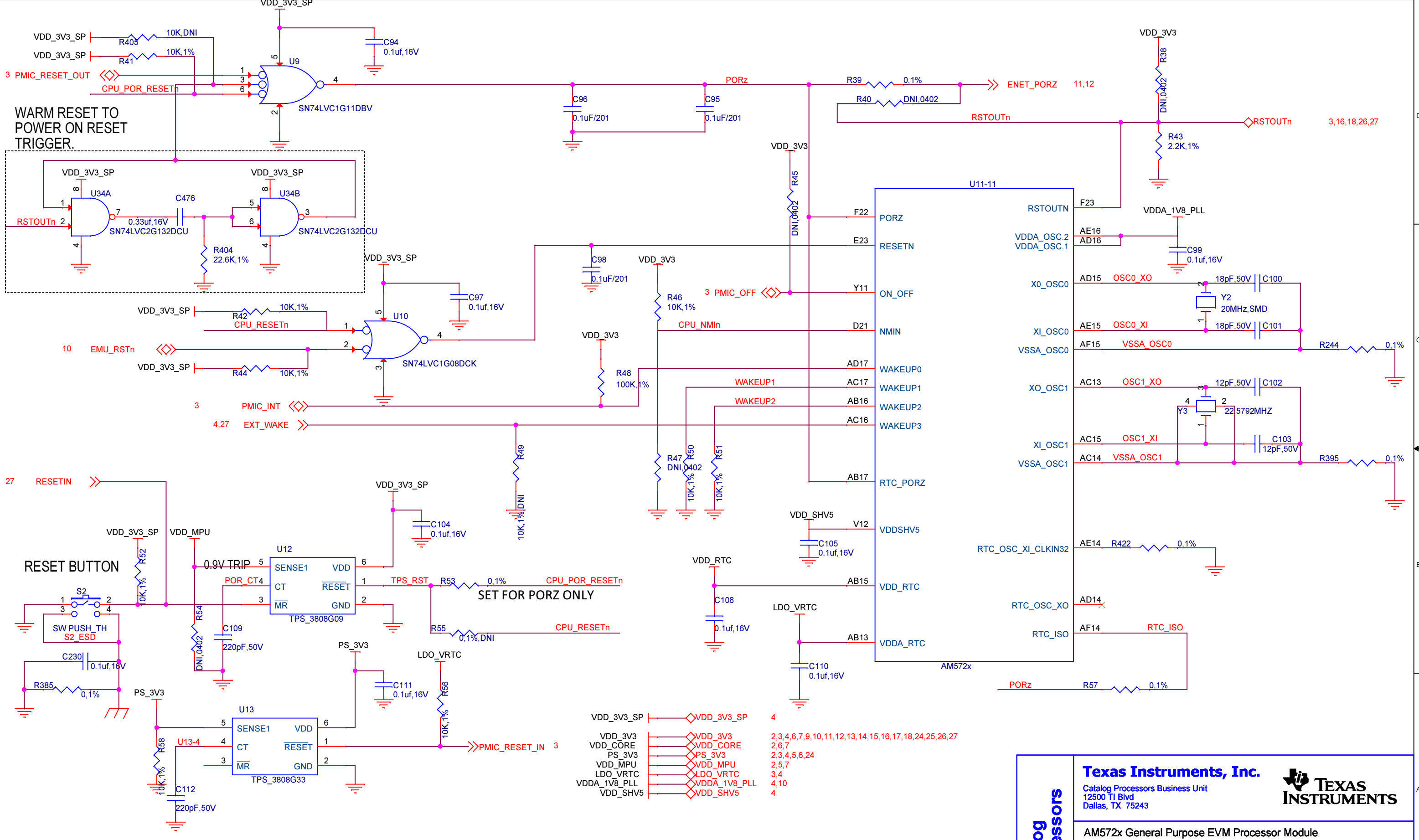


Catalog Processors

Texas Instruments, Inc.
 Catalog Processors Business Unit
 12500 TI Blvd
 Dallas, TX 75243

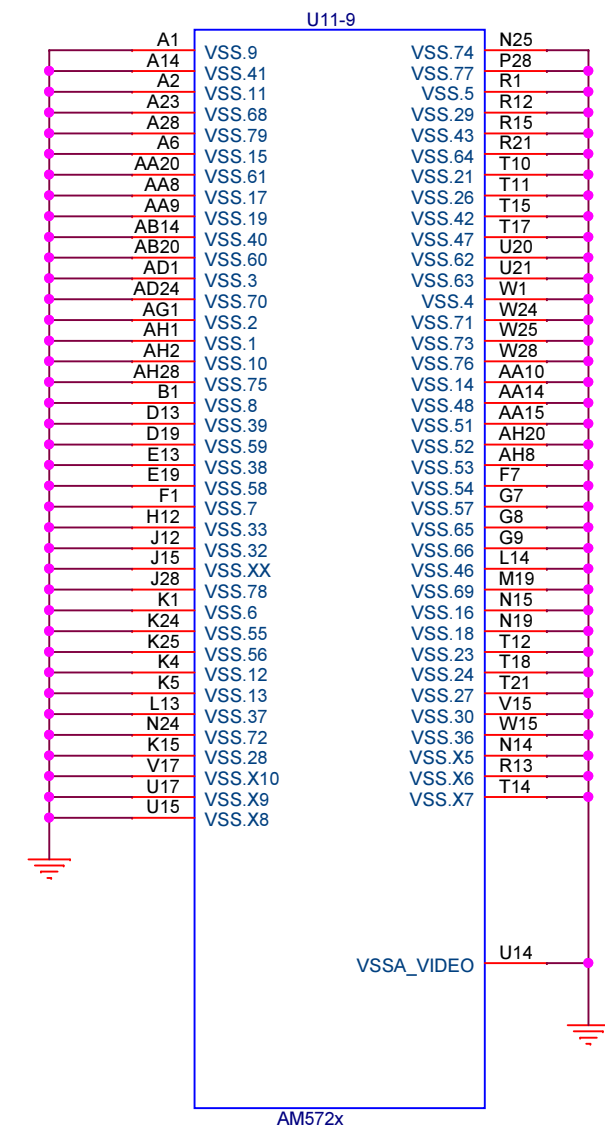
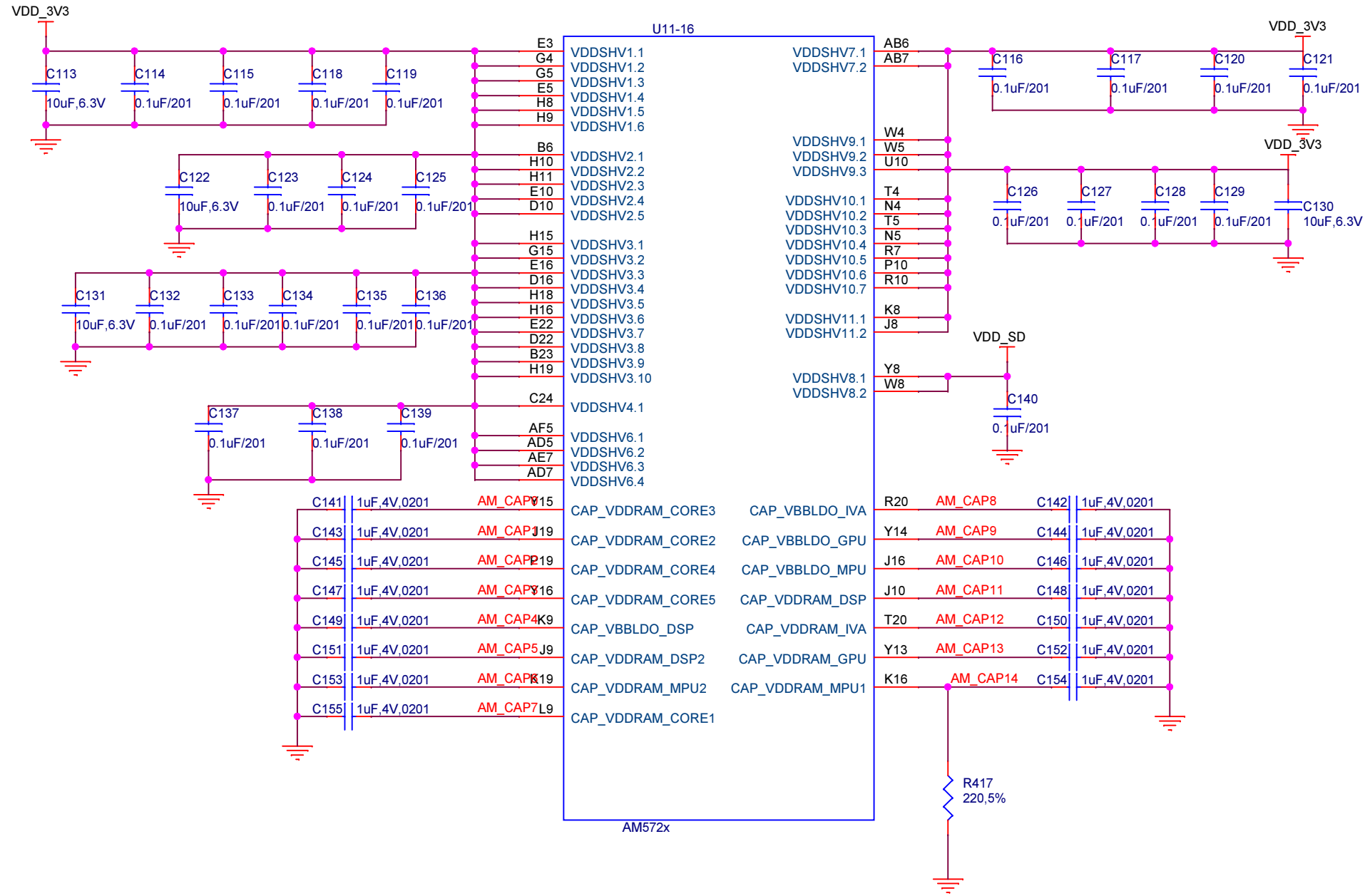
AM572x General Purpose EVM Processor Module
 AM5728 CORE POWER

Size	Document Number	Modified By:	Rev
B	am572x_gp_evm_REV_A4.dsn	TI Applications	A4
Date:	Tuesday, November 20, 2018	Sheet:	7 of 27



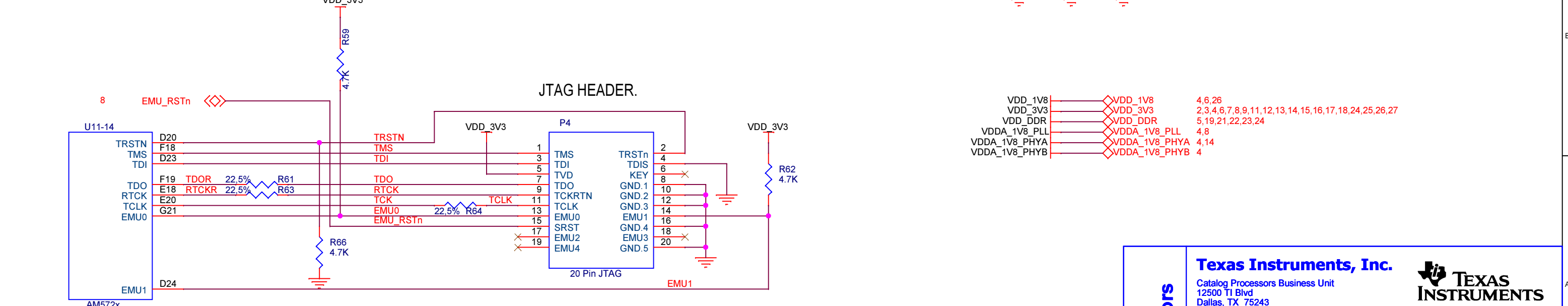
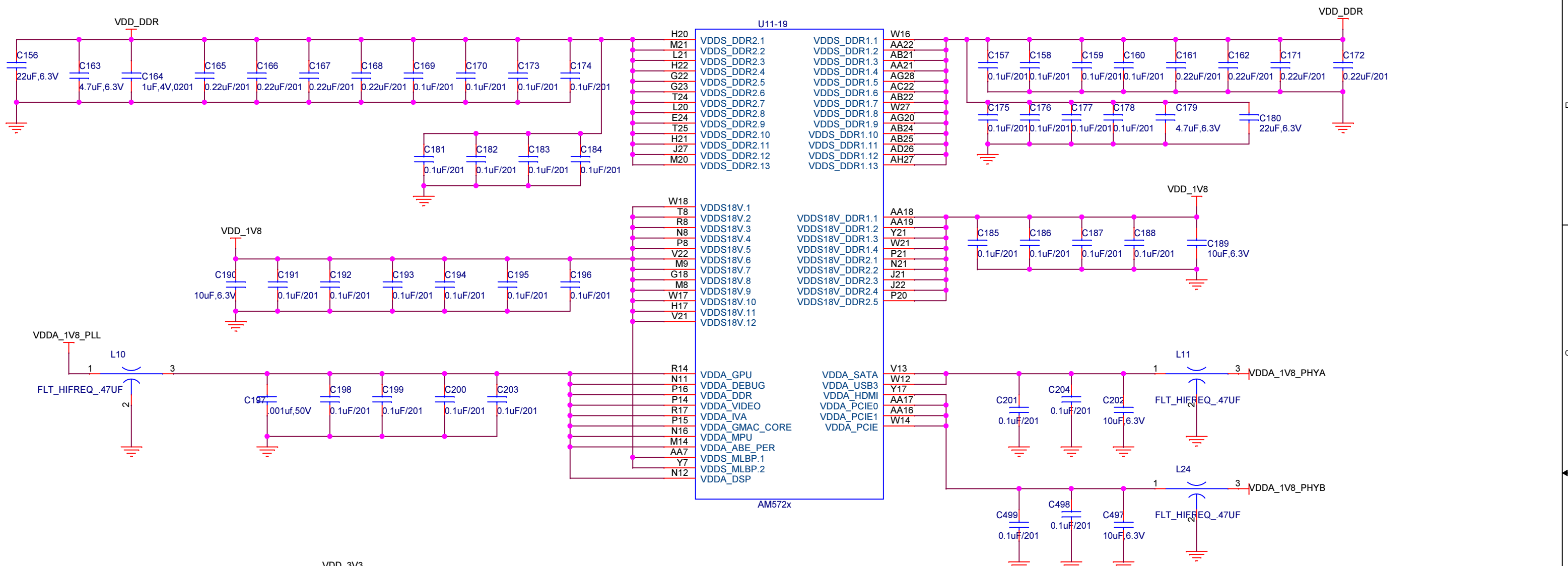
VDD_3V3_SP	◇ VDD_3V3_SP	4
VDD_3V3	◇ VDD_3V3	2,3,4,6,7,9,10,11,12,13,14,15,16,17,18,24,25,26,27
VDD_CORE	◇ VDD_CORE	2,6,7
PS_3V3	◇ PS_3V3	2,3,4,5,6,24
VDD_MPU	◇ VDD_MPU	2,5,7
LDO_VRTC	◇ LDO_VRTC	3,4
VDDA_1V8_PLL	◇ VDDA_1V8_PLL	4,10
VDD_SHV5	◇ VDD_SHV5	4

Catalog Processors	Texas Instruments, Inc.			
	Catalog Processors Business Unit 12500 TI Blvd Dallas, TX 75243			
	AM572x General Purpose EVM Processor Module AM572X CLOCKS & RESET			
Size	Document Number	Modified By:	Rev	
B	am572x_gp_evm_REV_A4.dsn	TI Applications	A4	
Date:	Tuesday, November 20, 2018	Sheet:	8 of 27	



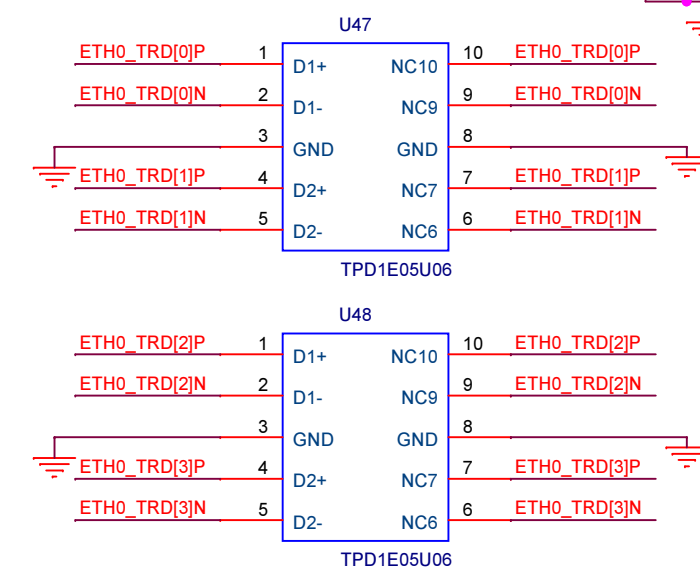
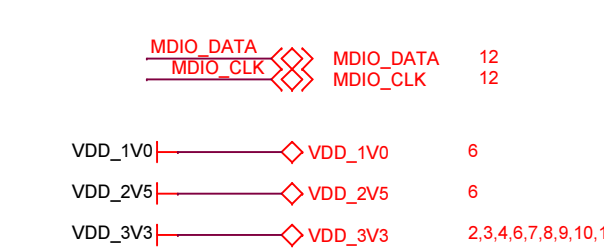
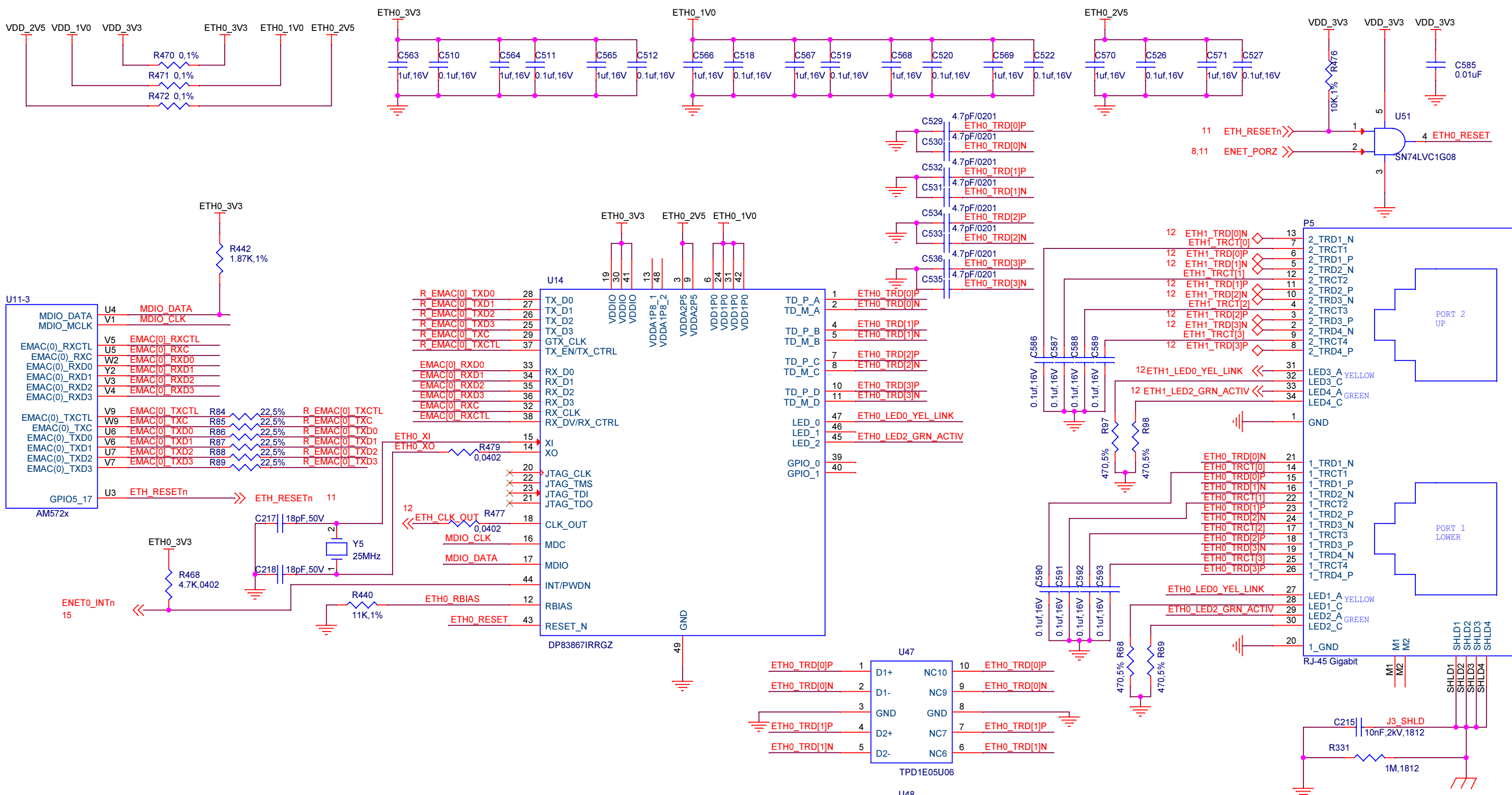
VDD_SD |-----◇ VDD_SD 4,18
 VDD_3V3 |-----◇ VDD_3V3 2,3,4,6,7,8,10,11,12,13,14,15,16,17,18,24,25,26,27

Catalog Processors	Texas Instruments, Inc.			
	Catalog Processors Business Unit 12500 TI Blvd Dallas, TX 75243			
	AM572x General Purpose EVM Processor Module			
	AM572X I/O POWER & GROUND			
Size	Document Number	Modified By:	Rev	
B	am572x_gp_evm_REV_A4.dsn	TI Applications	A4	
Date:	Tuesday, November 20, 2018	Sheet:	9	of 27



VDD_1V8	VDD_1V8	4,6,26
VDD_3V3	VDD_3V3	2,3,4,6,7,8,9,11,12,13,14,15,16,17,18,24,25,26,27
VDD_DDR	VDD_DDR	5,19,21,22,23,24
VDDA_1V8_PLL	VDDA_1V8_PLL	4,8
VDDA_1V8_PHYA	VDDA_1V8_PHYA	4,14
VDDA_1V8_PHYB	VDDA_1V8_PHYB	4

Catalog Processors	Texas Instruments, Inc.			
	Catalog Processors Business Unit 12500 TI Blvd Dallas, TX 75243			
	AM572x General Purpose EVM Processor Module			
	AM572X 1.8V & DDR POWER			
Size	Document Number	Modified By:	Rev	
B	am572x_gp_evm_REV_A4.dsn	TI Applications	A4	
Date:	Tuesday, November 20, 2018	Sheet:	10 of 27	



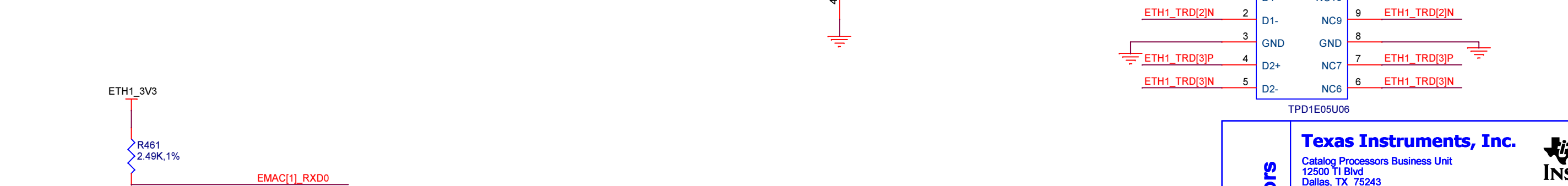
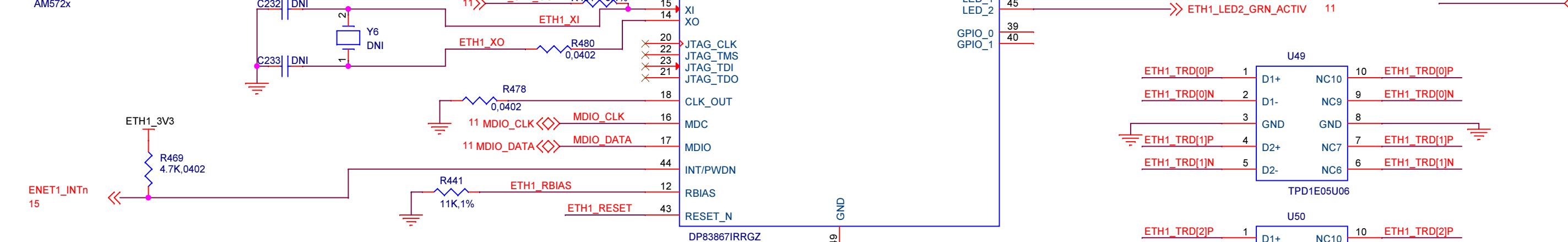
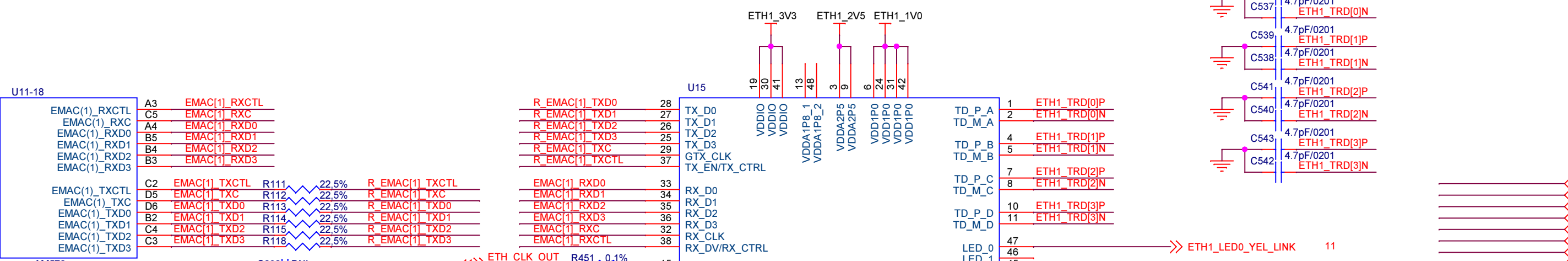
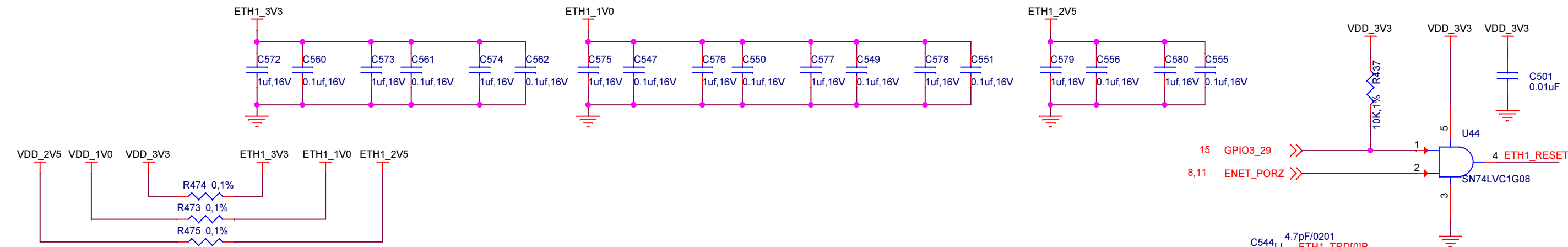
Catalog Processors

Texas Instruments, Inc.
 Catalog Processors Business Unit
 12500 TI Blvd
 Dallas, TX 75243

AM572x General Purpose EVM Processor Module
 Ethernet Port 0

Size	Document Number	Modified By:	Rev
B	am572x_gp_evm_REV_A4.dsn	TI Applications	A4

Date: Tuesday, November 20, 2018 Sheet: 11 of 27



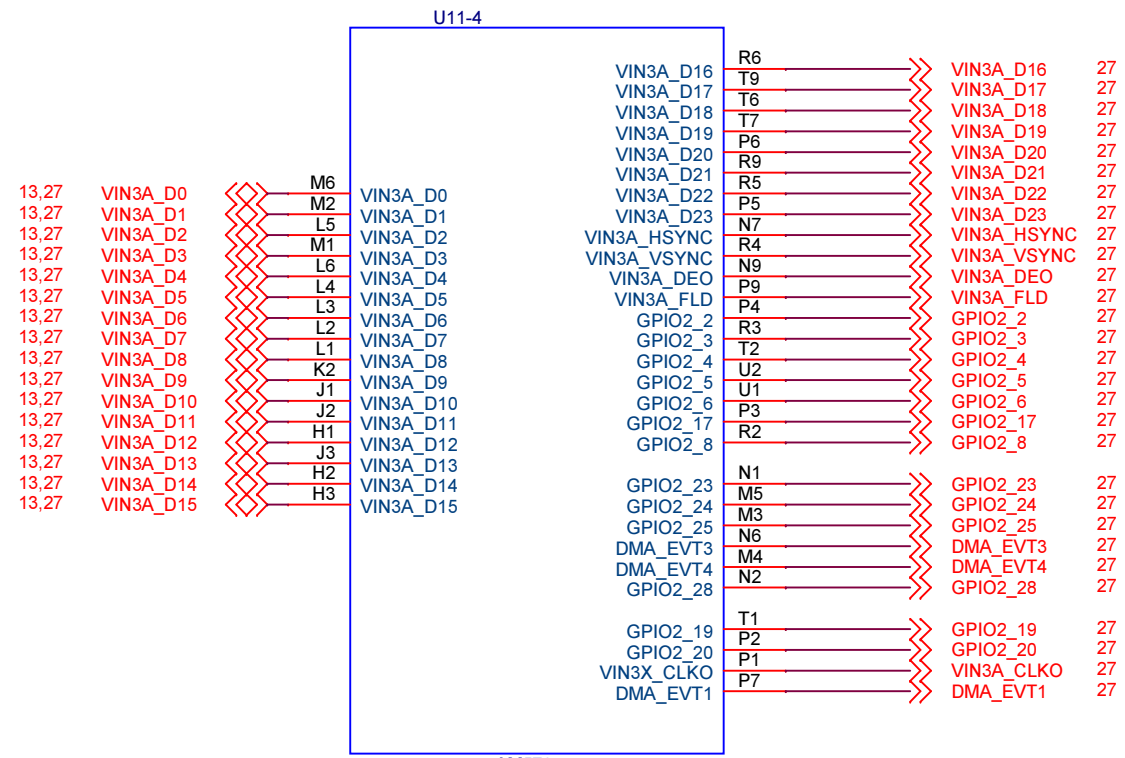
VDD_1V0	6
VDD_2V5	6
VDD_3V3	2,3,4,6,7,8,9,10,11,13,14,15,16,17,18,24,25,26,27

Catalog Processors

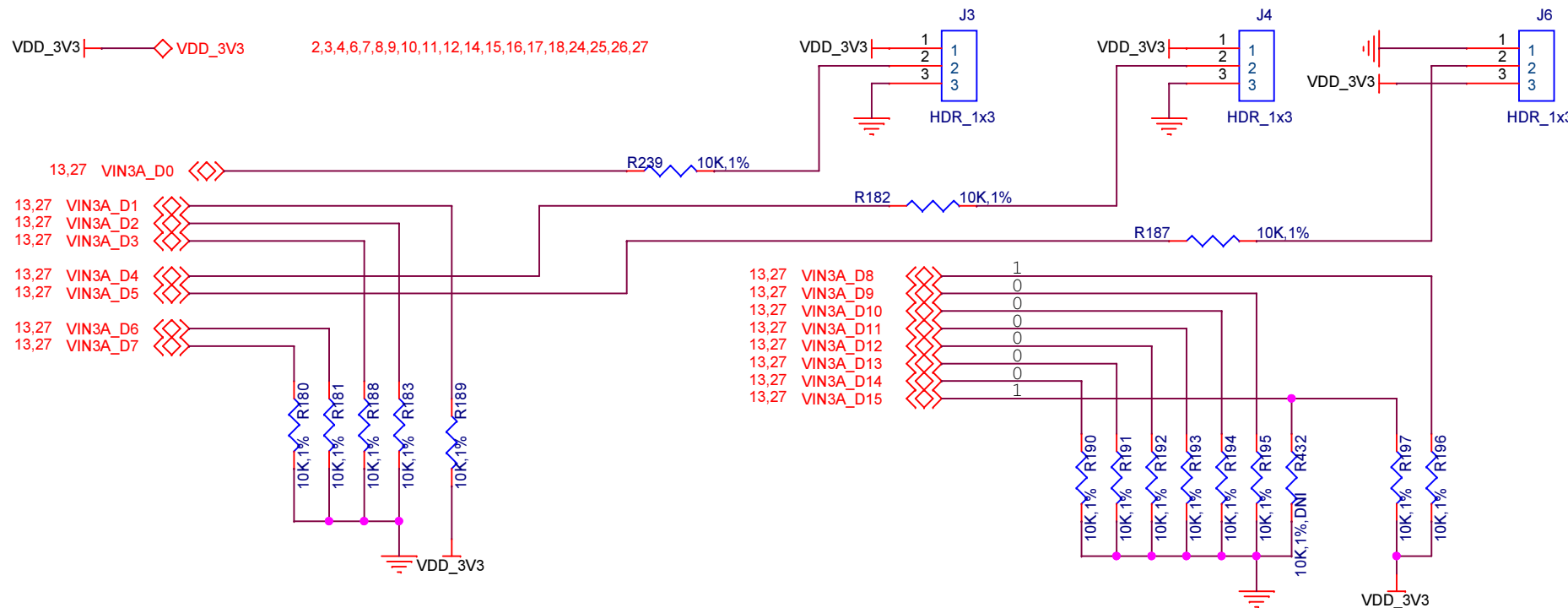
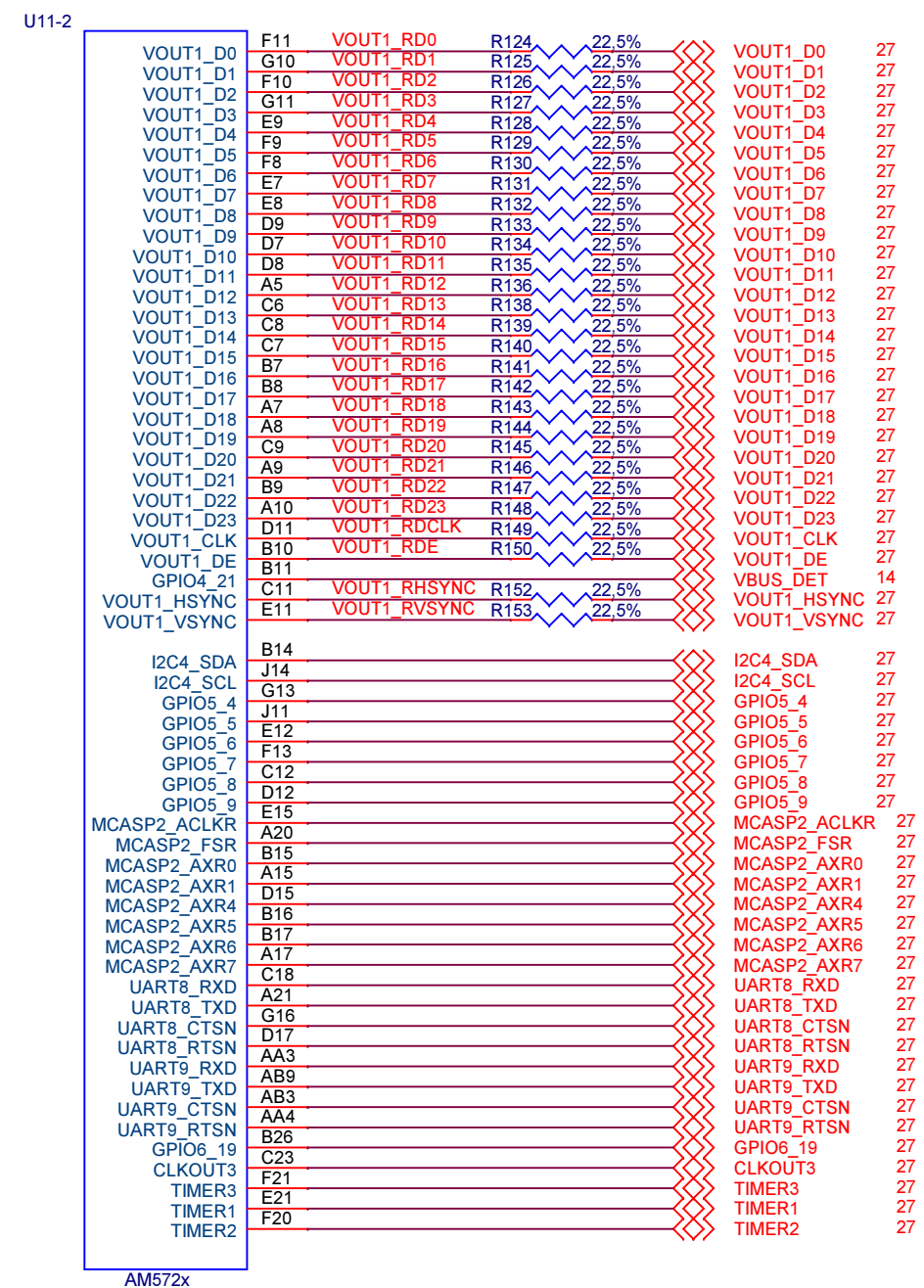
Texas Instruments, Inc.
 Catalog Processors Business Unit
 12500 TI Blvd
 Dallas, TX 75243

AM572x General Purpose EVM Processor Module
 Ethernet Port 1

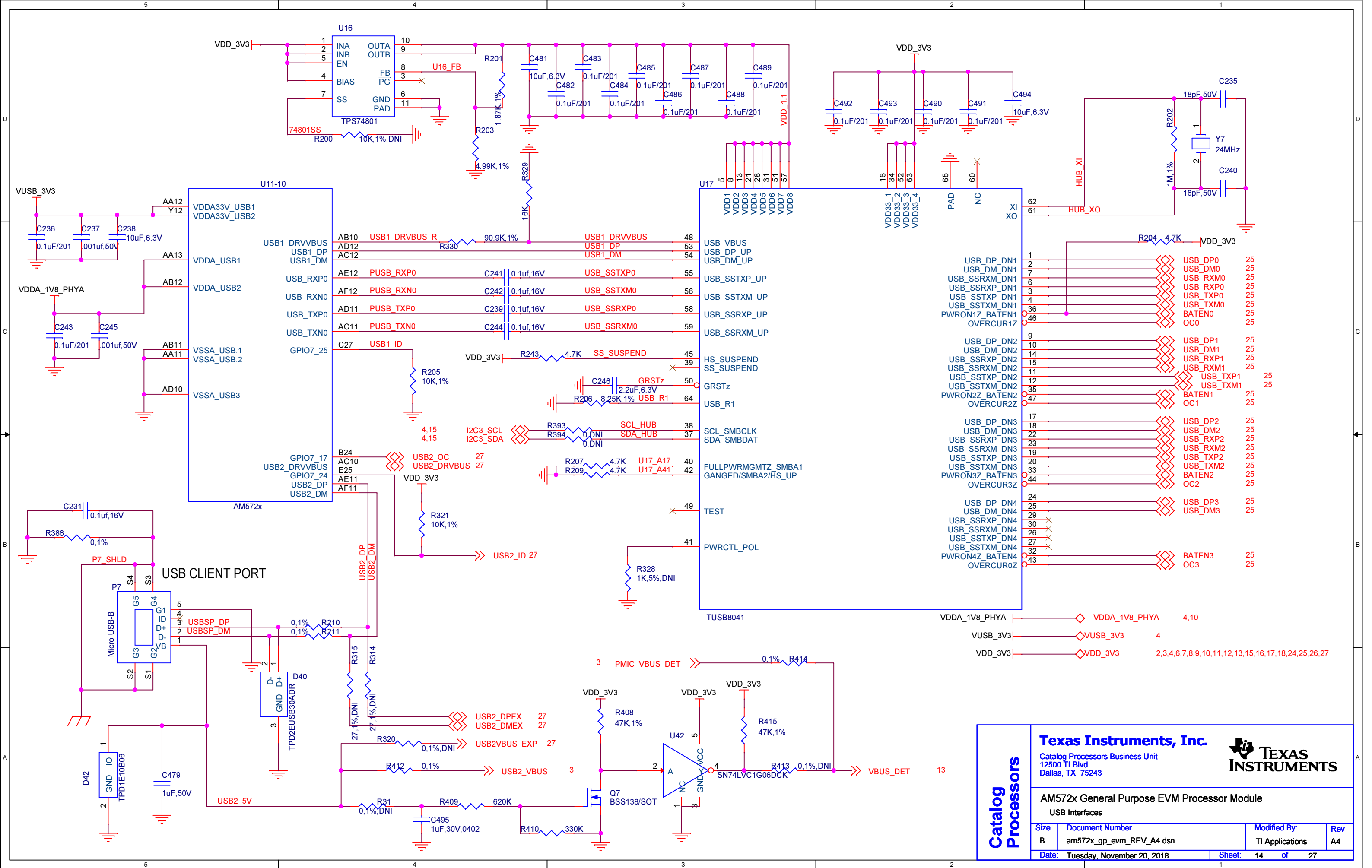
Size	Document Number	Modified By:	Rev
B	am572x_gp_evm_REV_A4.dsn	TI Applications	A4
Date:	Tuesday, November 20, 2018	Sheet:	12 of 27



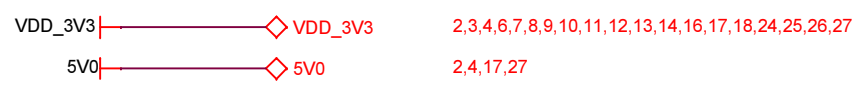
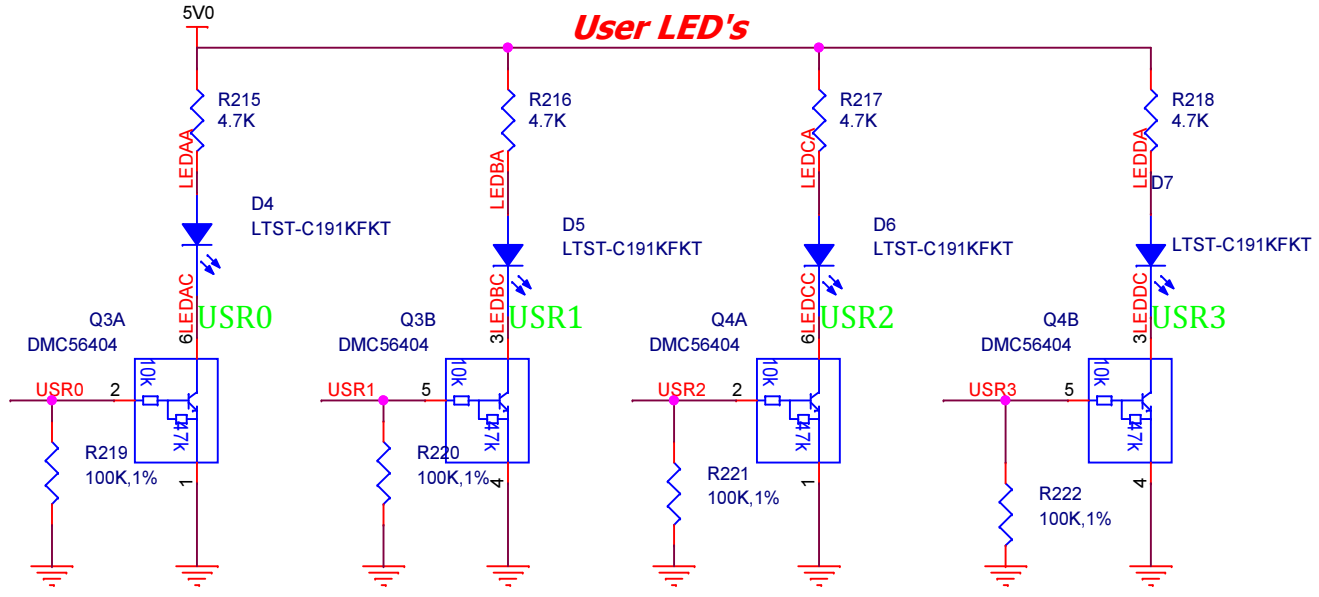
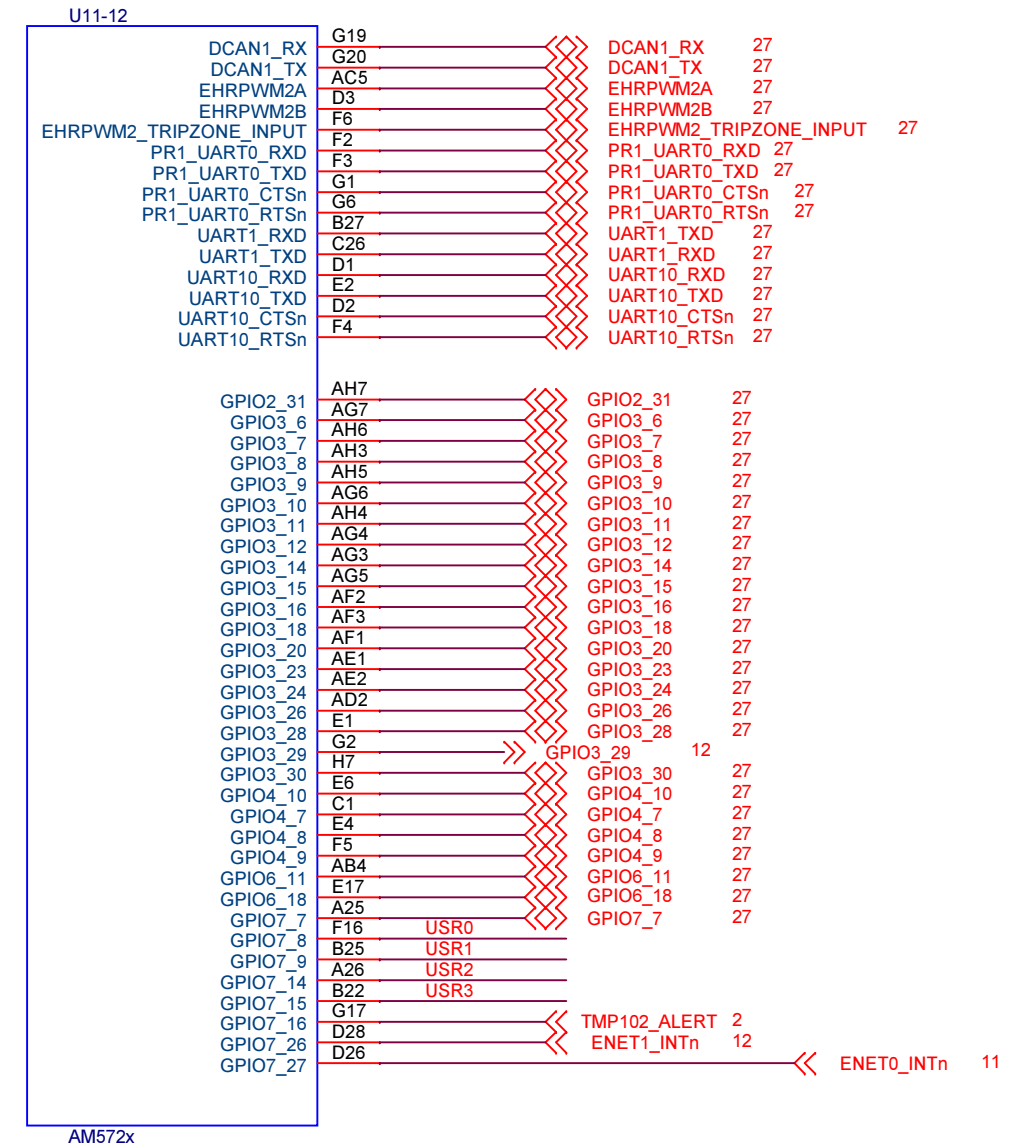
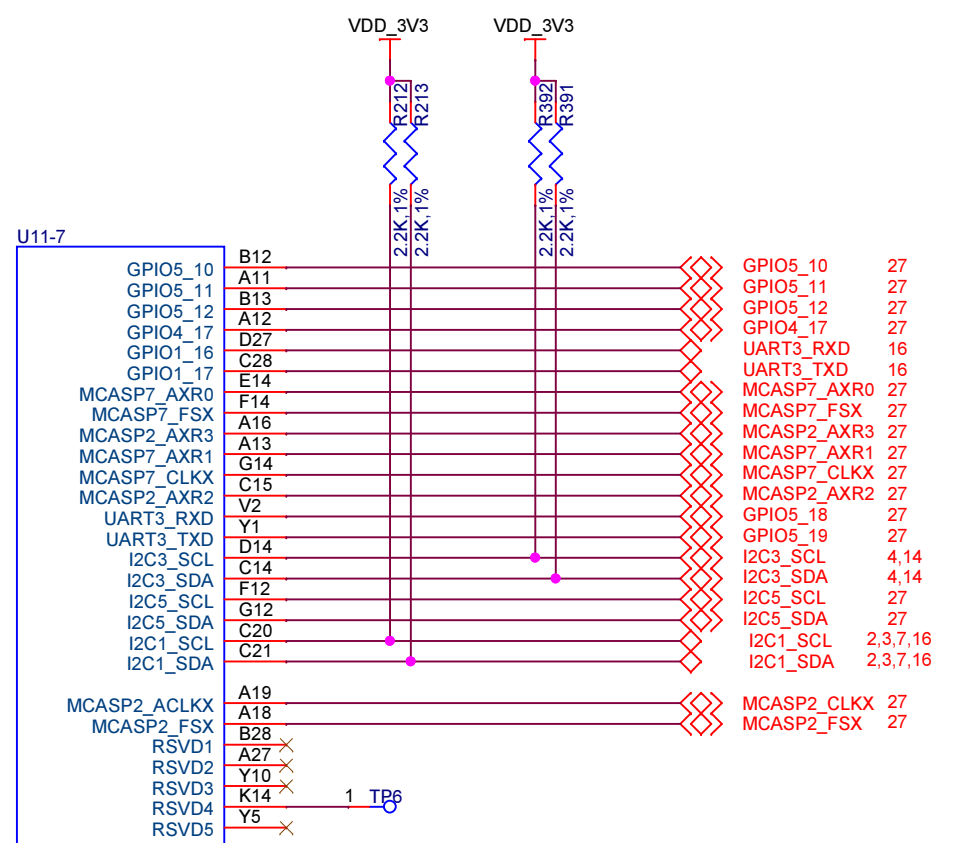
		1-2	2-3
BOOT from SD then eMMC	J3		X
	J4		X
	J6		X
BOOT from UART	J3	X	
	J4	X	
	J6	X	
BOOT from SATA then SD	J3	X	
	J4		X
	J6		X



Catalog Processors	Texas Instruments, Inc.			
	Catalog Processors Business Unit 12500 TI Blvd Dallas, TX 75243			
	AM572x General Purpose EVM Processor Module I/O LCD and Boot			
Size	Document Number	Modified By:	Rev	
B	am572x_gp_evm_REV_A4.dsn	TI Applications	A4	
Date:	Tuesday, November 20, 2018	Sheet:	13 of 27	



Catalog Processors	Texas Instruments, Inc.			
	Catalog Processors Business Unit 12500 TI Blvd Dallas, TX 75243			
	AM572x General Purpose EVM Processor Module			
	USB Interfaces			
Size	Document Number	Modified By:	Rev	
B	am572x_gp_evm_REV_A4.dsn	TI Applications	A4	
Date:	Tuesday, November 20, 2018	Sheet:	14	of 27



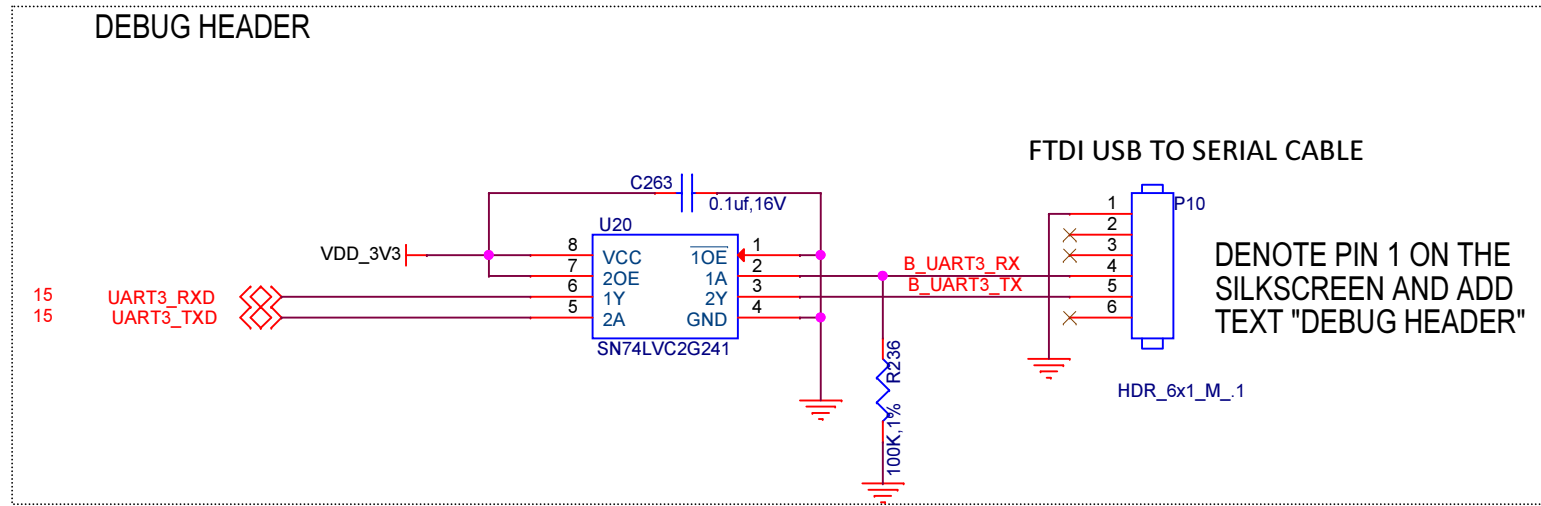
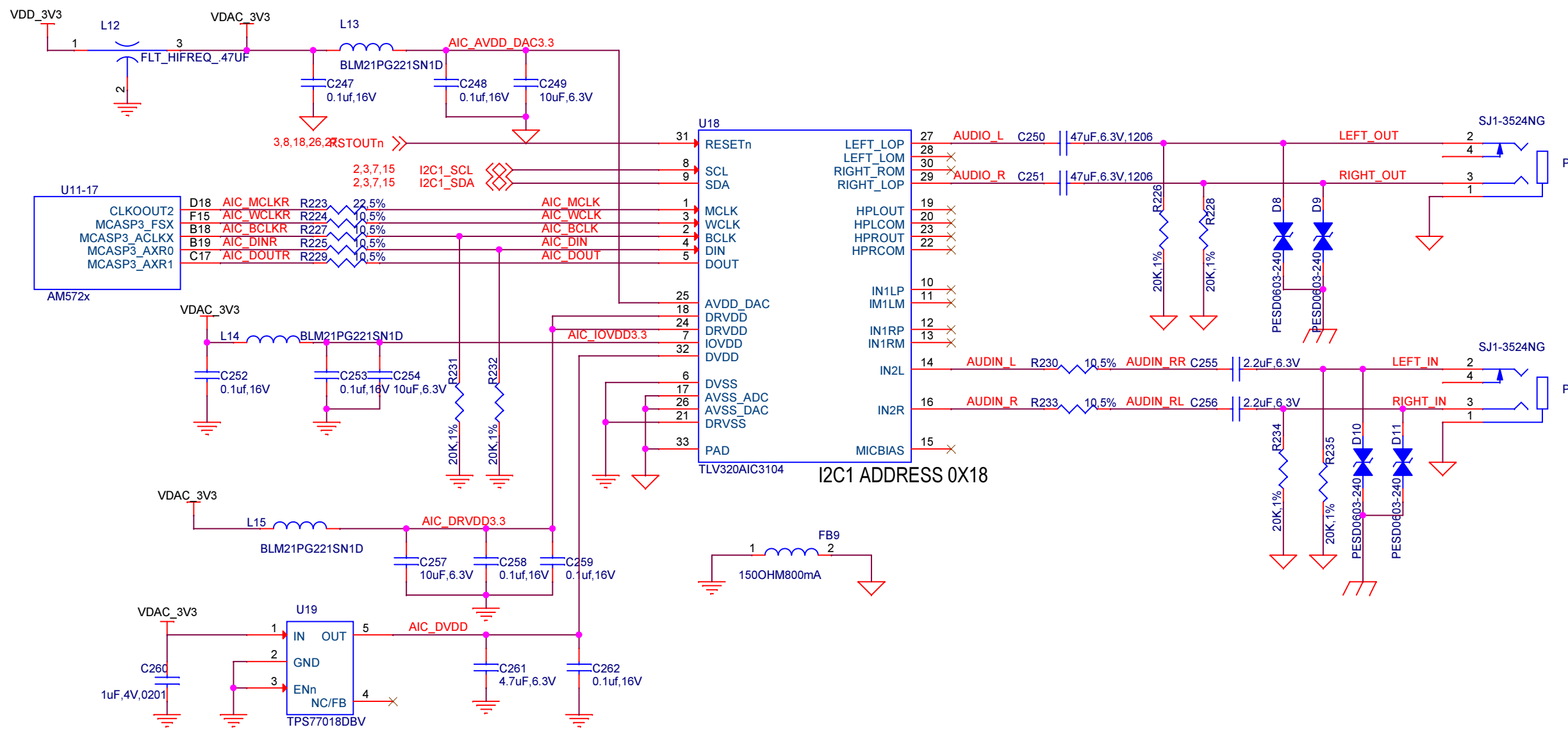
Catalog Processors

Texas Instruments, Inc.
 Catalog Processors Business Unit
 12500 TI Blvd
 Dallas, TX 75243

AM572x General Purpose EVM Processor Module
 I/O and LEDs

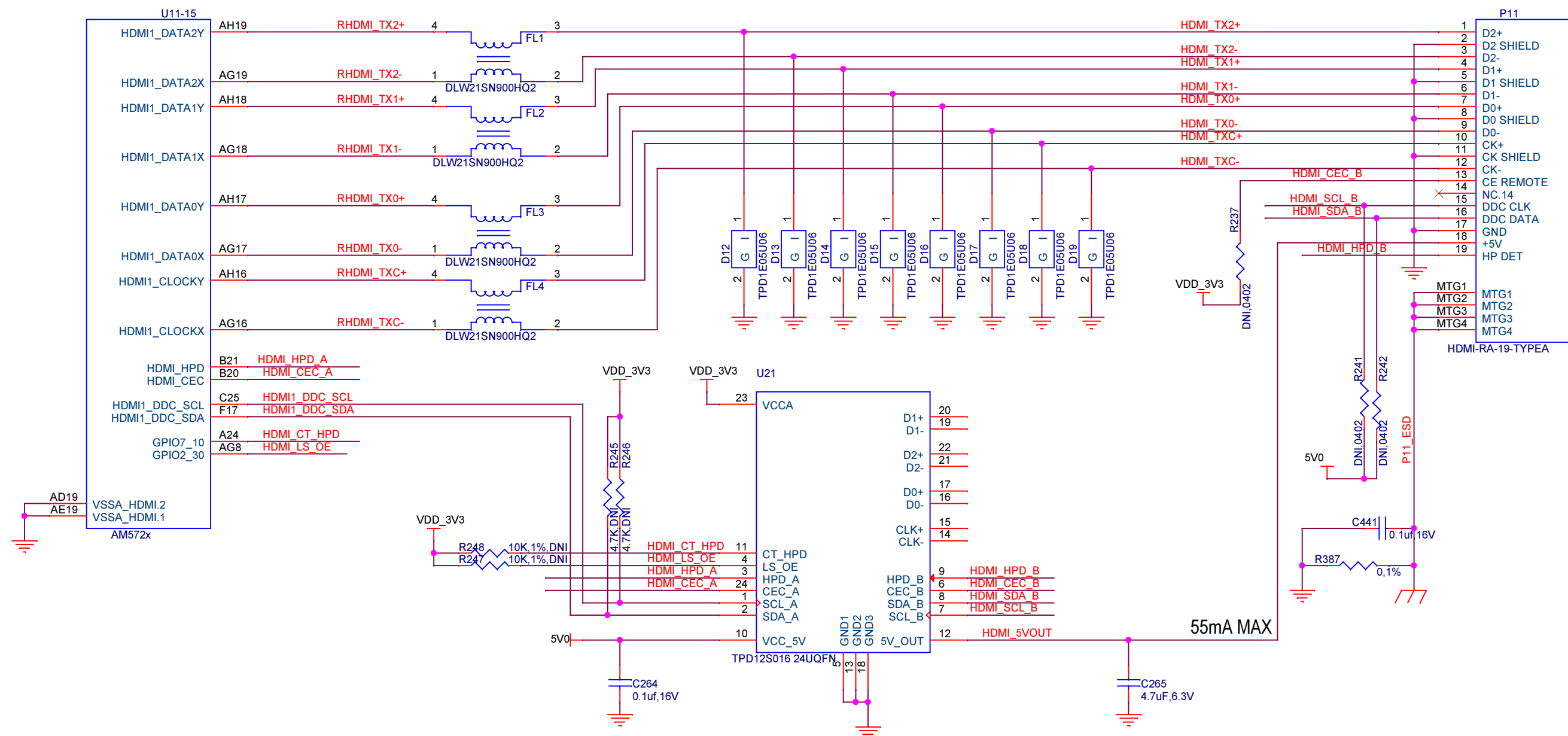
Size	Document Number	Modified By:	Rev
B	am572x_gp_evm_REV_A4.dsn	TI Applications	A4

Date: Tuesday, November 20, 2018 Sheet: 15 of 27



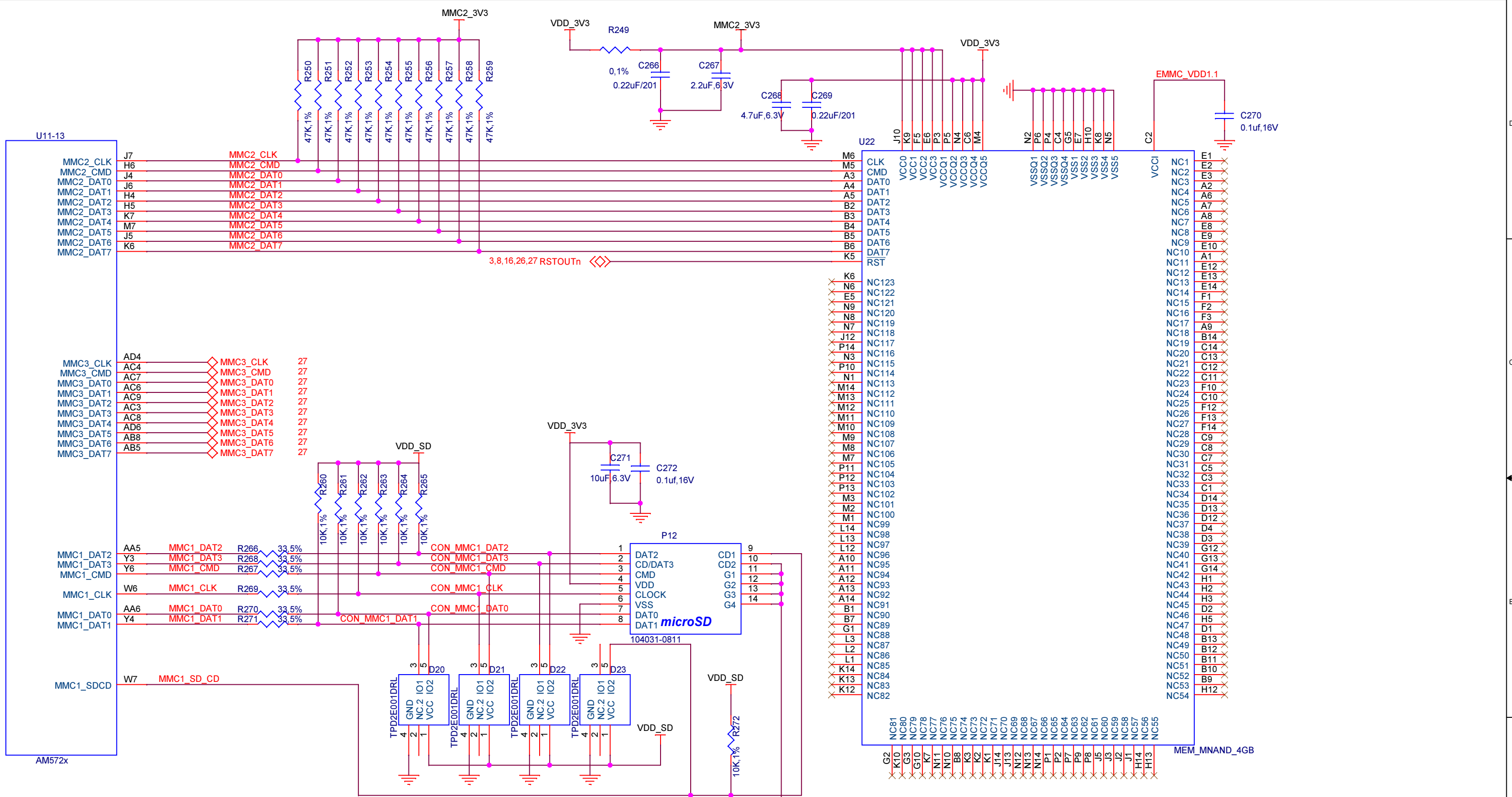
Catalog Processors	Texas Instruments, Inc. Catalog Processors Business Unit 12500 TI Blvd Dallas, TX 75243			
	AM572x General Purpose EVM Processor Module Audio CODEC and Debug Port			
	Size	Document Number	Modified By:	Rev
B	am572x_gp_evm_REV_A4.dsn	TI Applications	A4	
Date: Tuesday, November 20, 2018		Sheet: 16 of 27		

VDD_3V3 | VDD_3V3 2,3,4,6,7,8,9,10,11,12,13,14,15,17,18,24,25,26,27



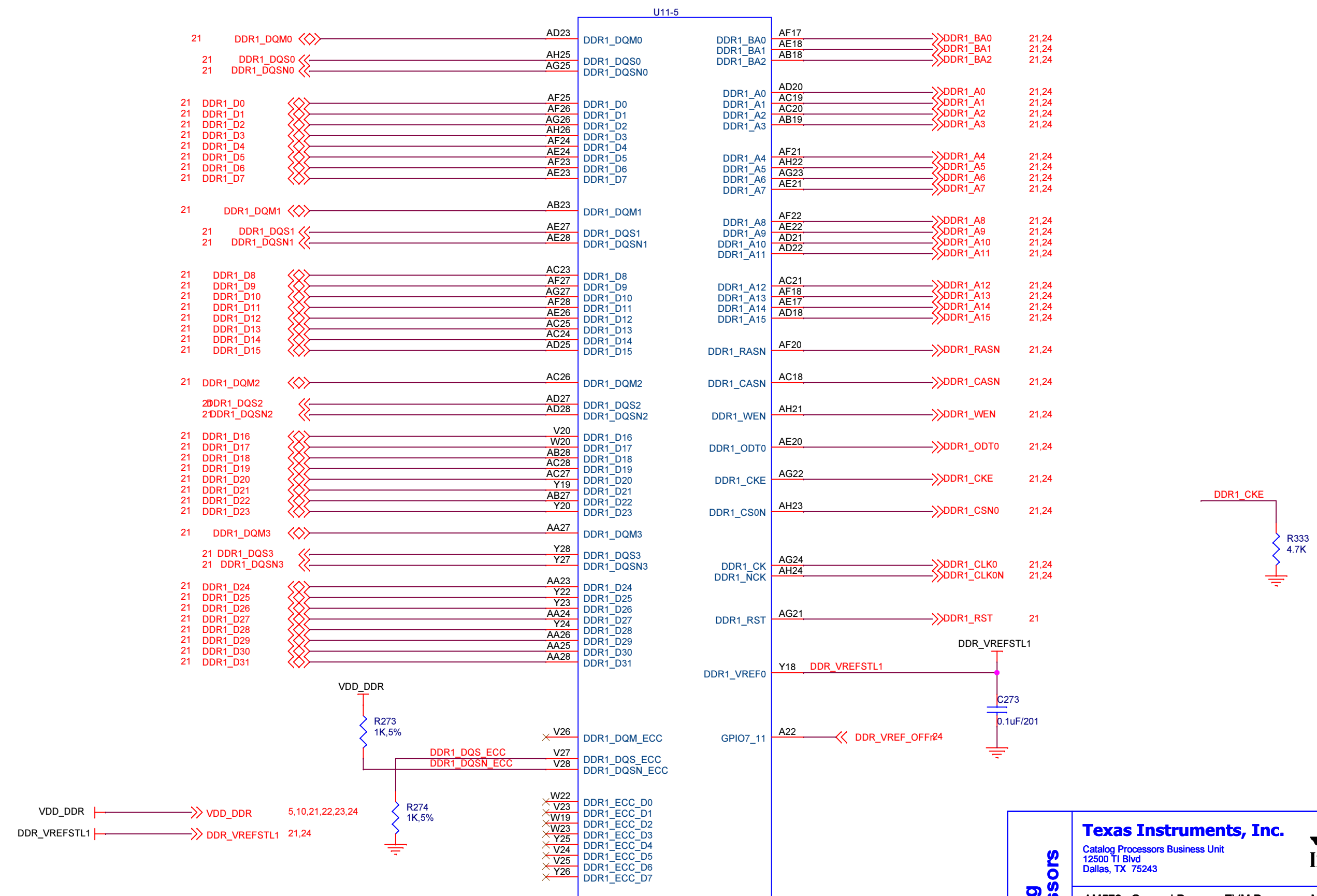
5V0 \leftrightarrow 5V0 2,4,15,27
 VDD_3V3 \leftrightarrow VDD_3V3 2,3,4,6,7,8,9,10,11,12,13,14,15,16,18,24,25,26,27

Catalog Processors	Texas Instruments, Inc.			
	Catalog Processors Business Unit 12500 TI Blvd Dallas, TX 75243			
	AM572x General Purpose EVM Processor Module			
	HDMI Port			
Size	Document Number	Modified By:	Rev	
B	am572x_gp_evm_REV_A4.dsn	TI Applications	A4	
Date:	Tuesday, November 20, 2018	Sheet:	17	of 27

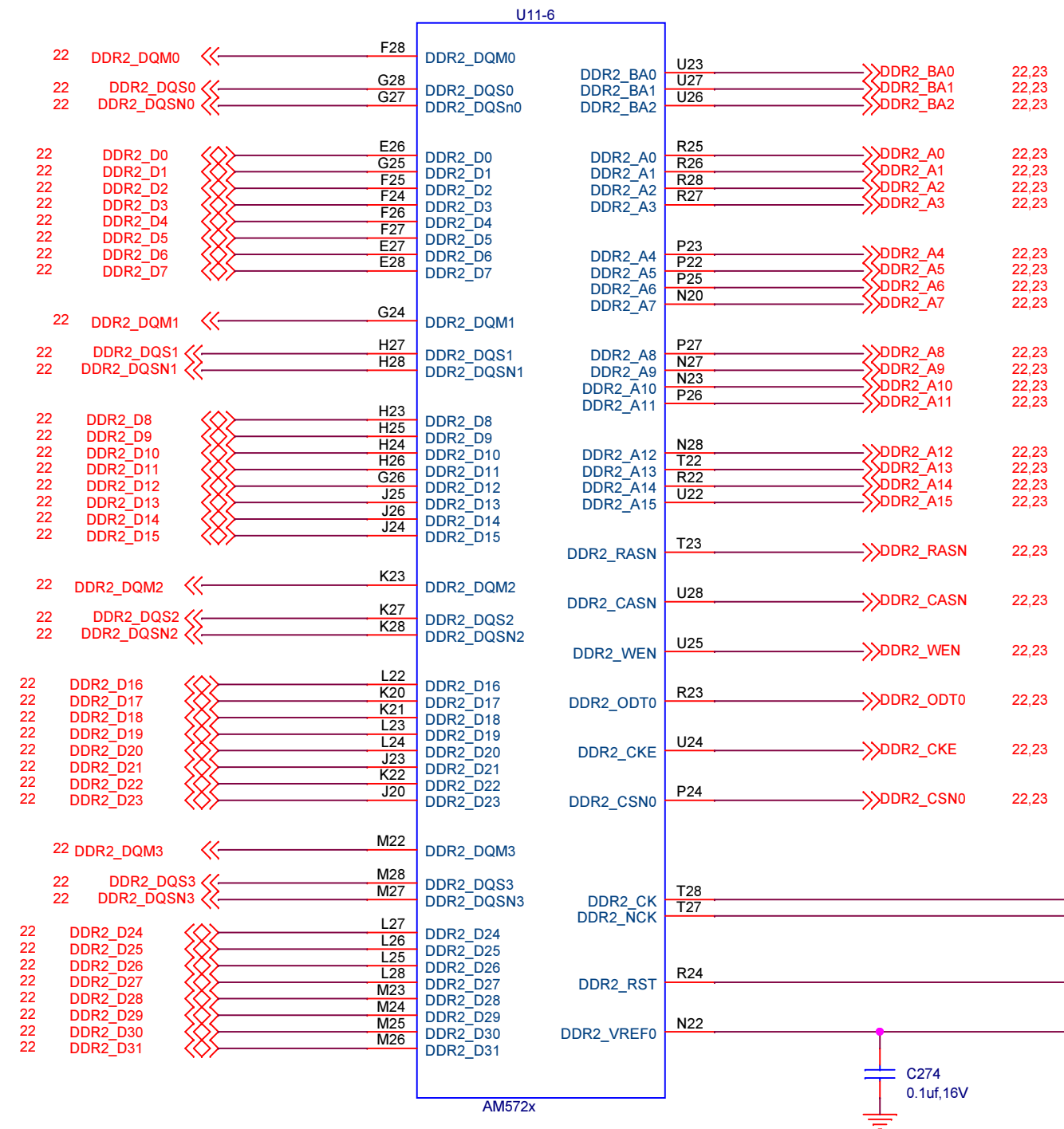


VDD_3V3 | VDD_3V3 2,3,4,6,7,8,9,10,11,12,13,14,15,16,17,24,25,26,27
 VDD_SD | VDD_SD 4,9

Catalog Processors	Texas Instruments, Inc.			
	Catalog Processors Business Unit 12500 TI Blvd Dallas, TX 75243			
	AM572x General Purpose EVM Processor Module eMMC and microSD			
	Size B	Document Number am572x_gp_evm_REV_A4.dsn	Modified By: TI Applications	Rev A4
Date: Tuesday, November 20, 2018		Sheet: 18 of 27		



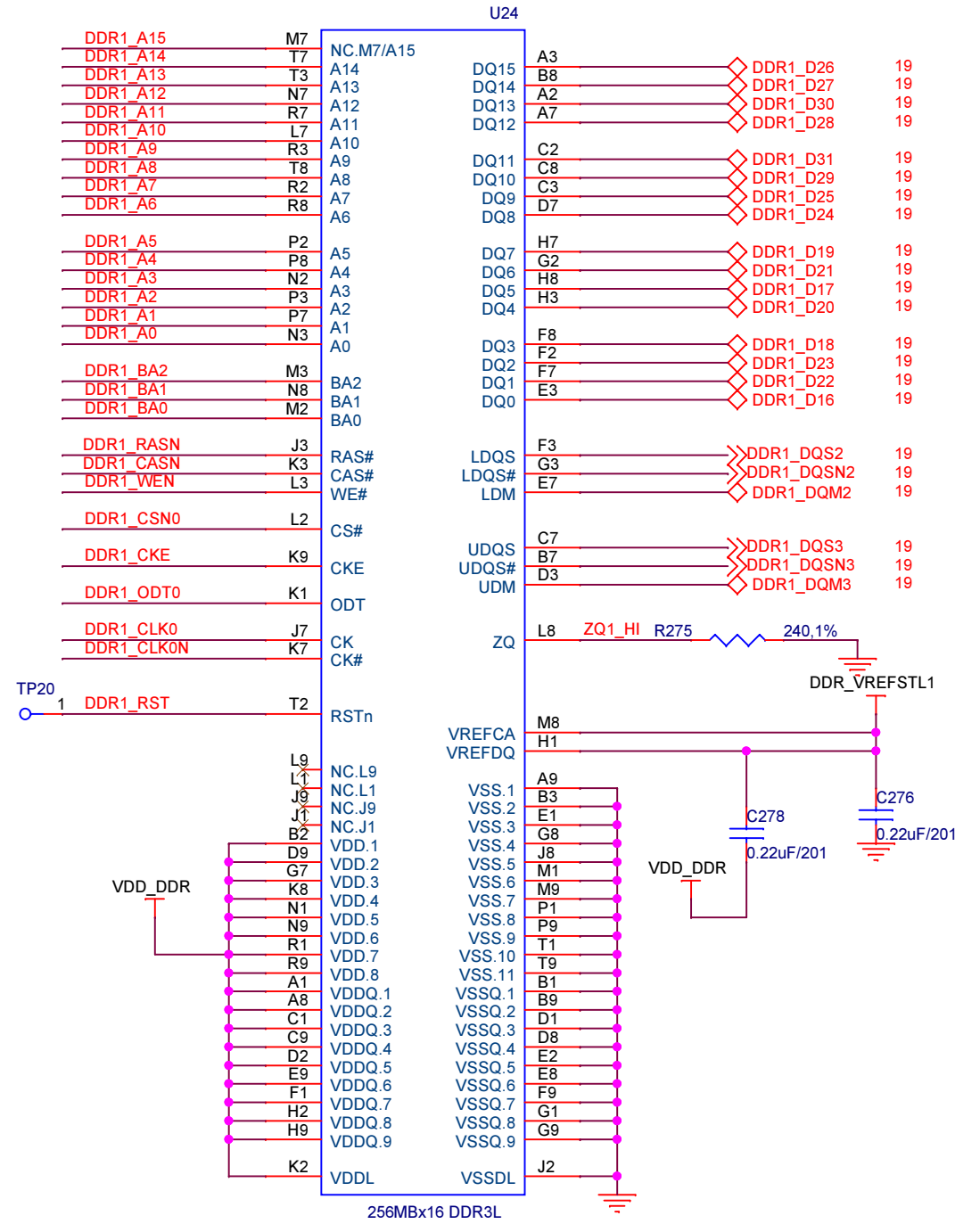
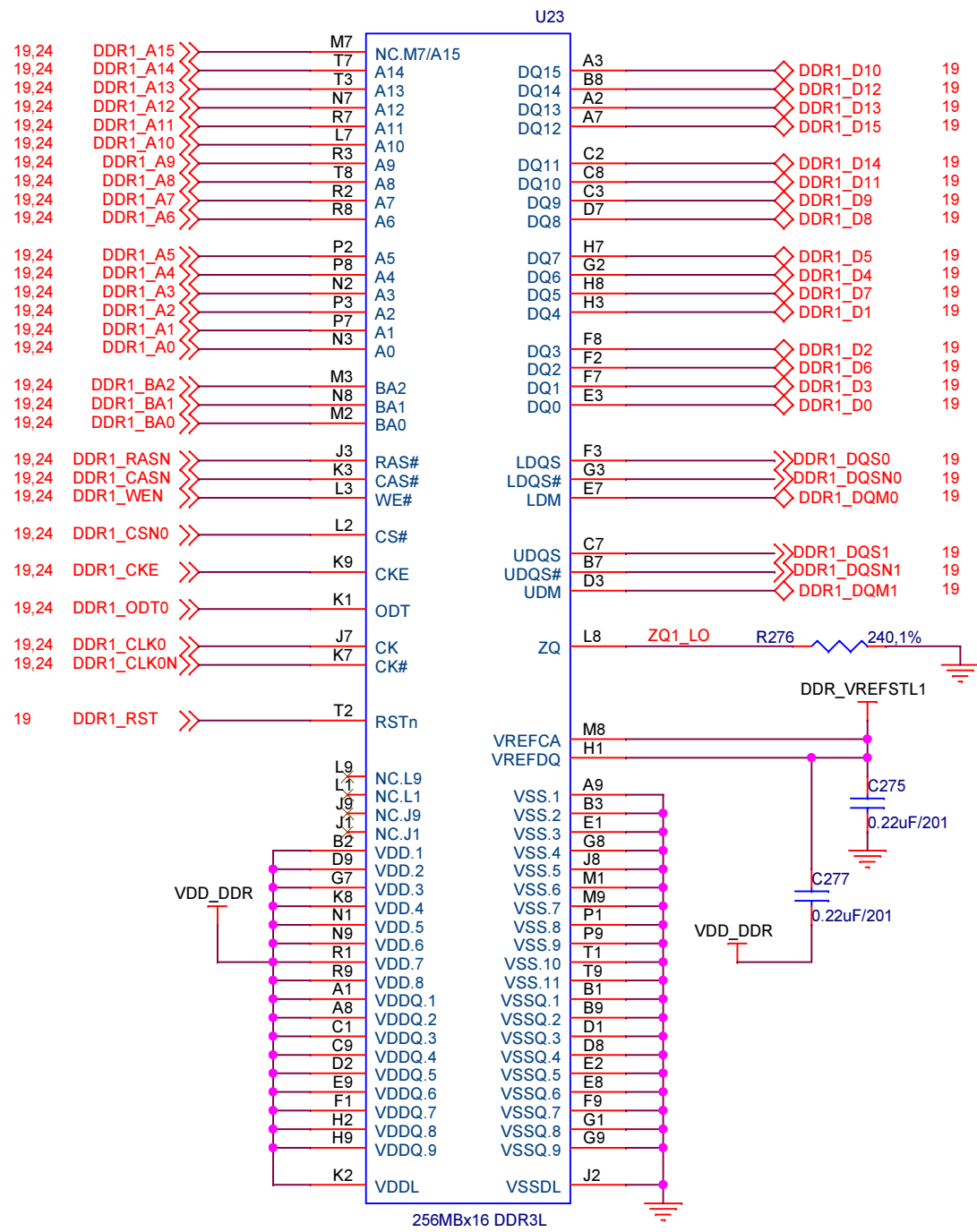
Catalog Processors	Texas Instruments, Inc.			
	Catalog Processors Business Unit 12500 TI Blvd Dallas, TX 75243			
	AM572x General Purpose EVM Processor Module			
	AM572x DDR3 Interface 1			
Size	Document Number	Modified By:	Rev	
B	am572x_gp_evm_REV_A4.dsn	TI Applications	A4	
Date:	Tuesday, November 20, 2018	Sheet:	19	of 27



DDR_VREFSTL2 >> DDR_VREFSTL2 20,22,24

Catalog Processors	Texas Instruments, Inc.			
	Catalog Processors Business Unit 12500 TI Blvd Dallas, TX 75243			
	AM572x General Purpose EVM Processor Module AM572x DDR3 Interface 2			
	Size B	Document Number am572x_gp_evm_REV_A4.dsn	Modified By: TI Applications	Rev A4

Date: Tuesday, November 20, 2018 Sheet: 20 of 27



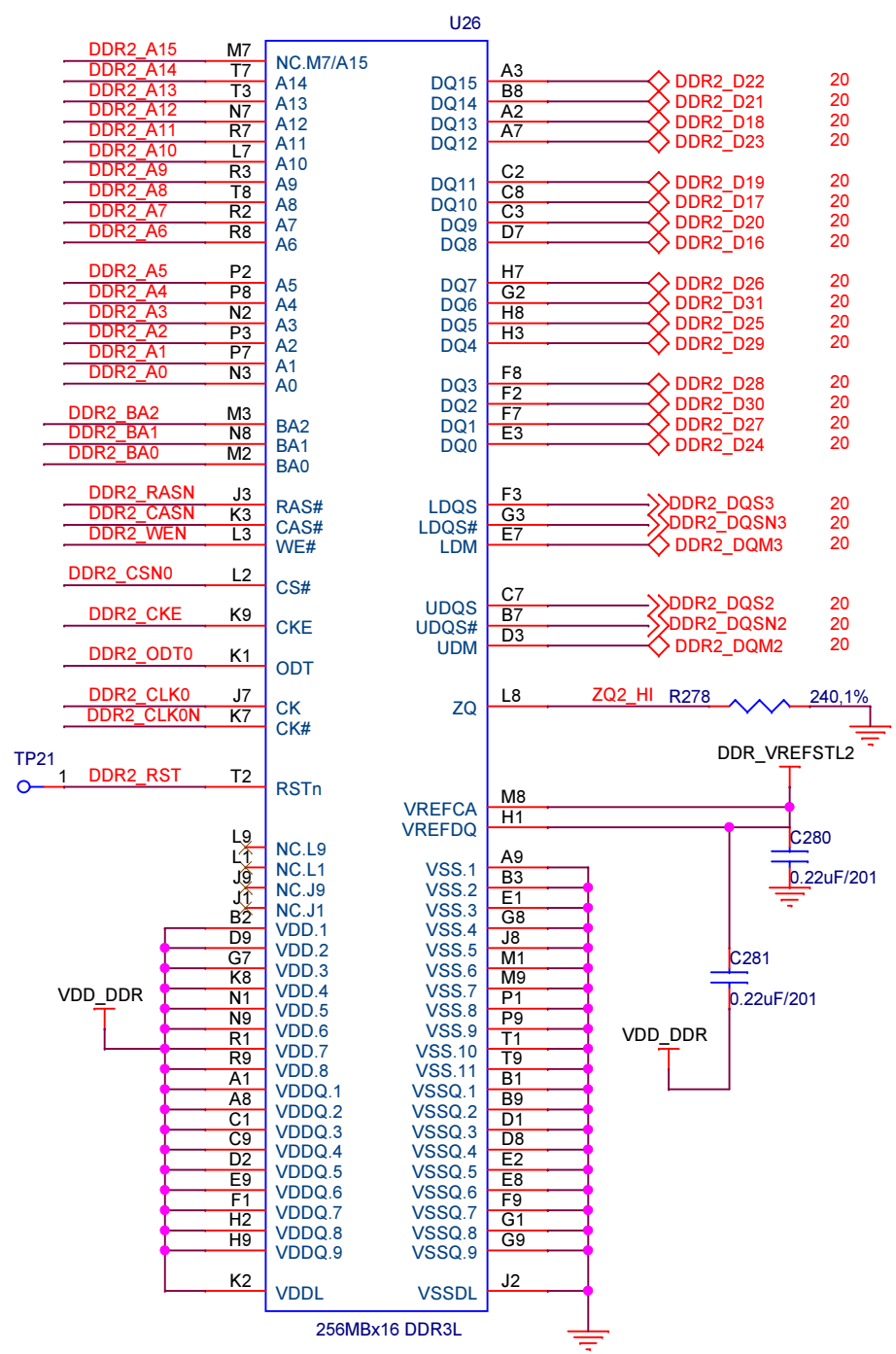
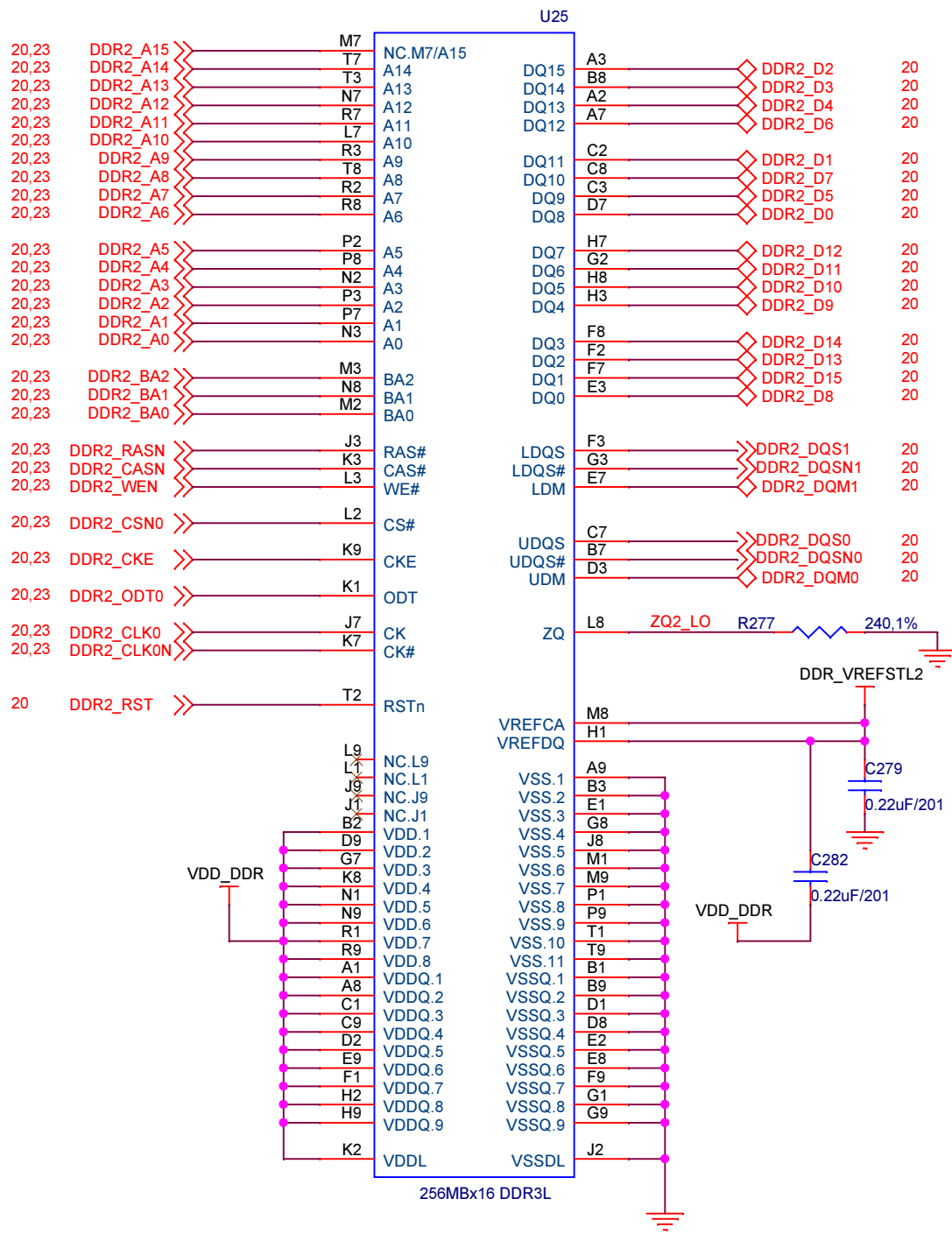
VTT — VTT 23,24
 DDR_VREFSTL1 —> DDR_VREFSTL1 19,24
 VDD_DDR — VDD_DDR 5,10,19,22,23,24

Catalog Processors

Texas Instruments, Inc.
 Catalog Processors Business Unit
 12500 TI Blvd
 Dallas, TX 75243

AM572x General Purpose EVM Processor Module
 DDR3 Bank 1

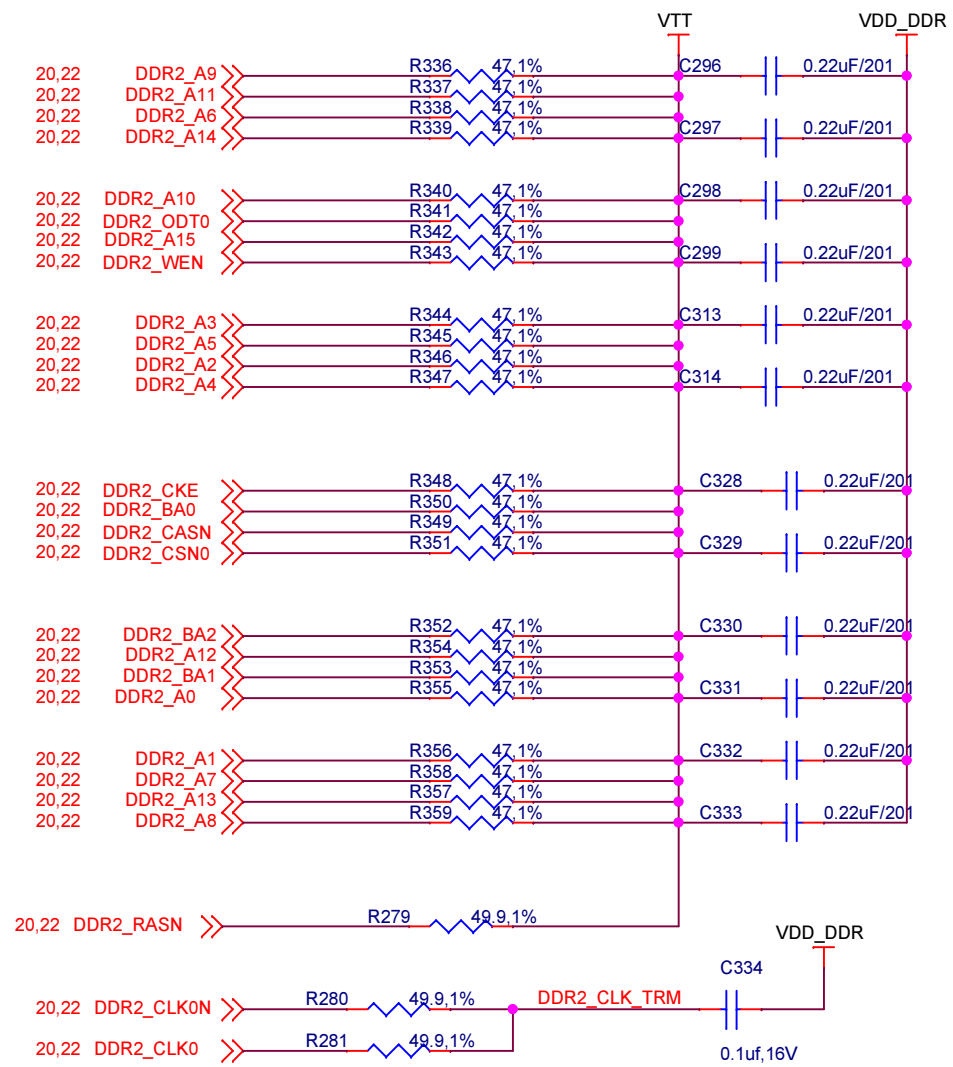
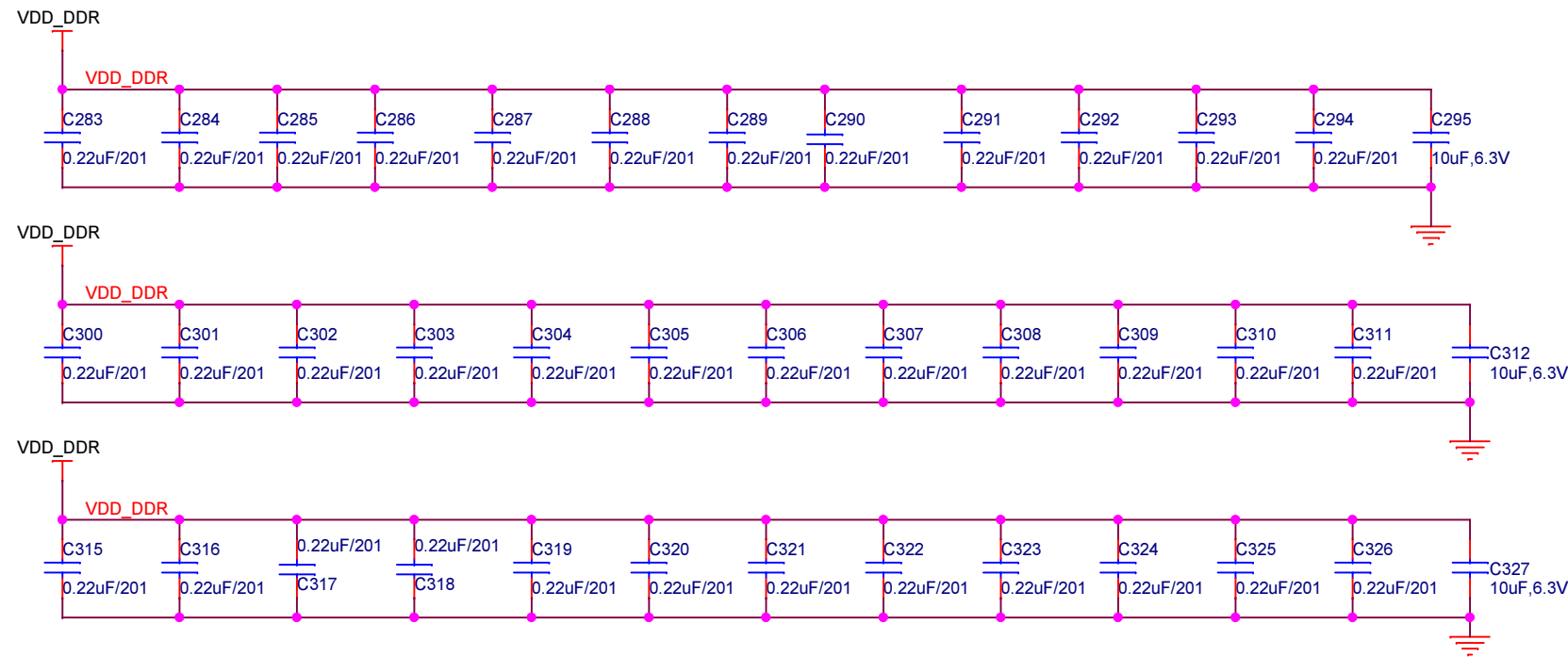
Size	Document Number	Modified By:	Rev
B	am572x_gp_evm_REV_A4.dsn	TI Applications	A4
Date:	Tuesday, November 20, 2018	Sheet:	21 of 27



VDD_DDR |-----◇ VDD_DDR 5,10,19,21,23,24

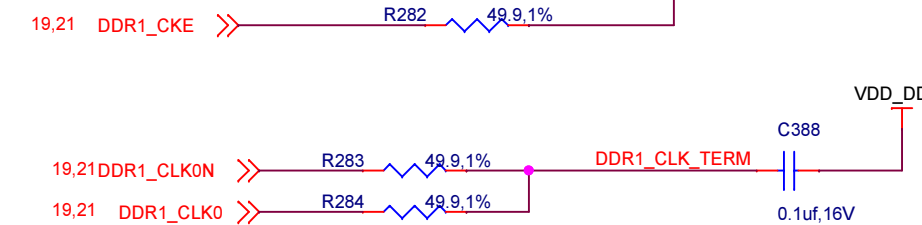
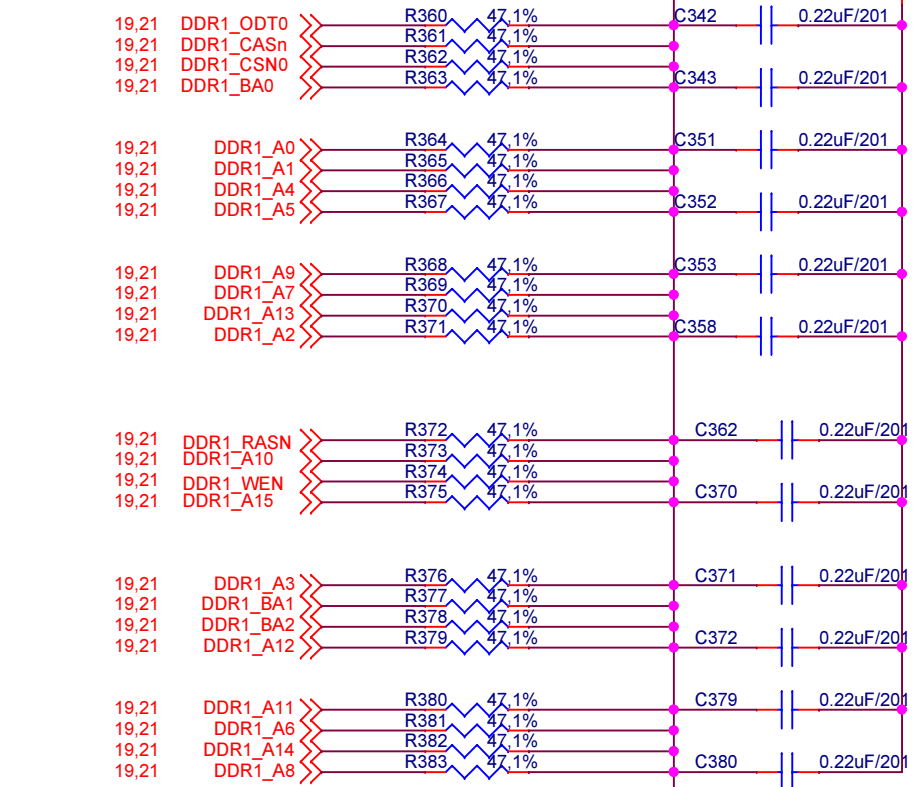
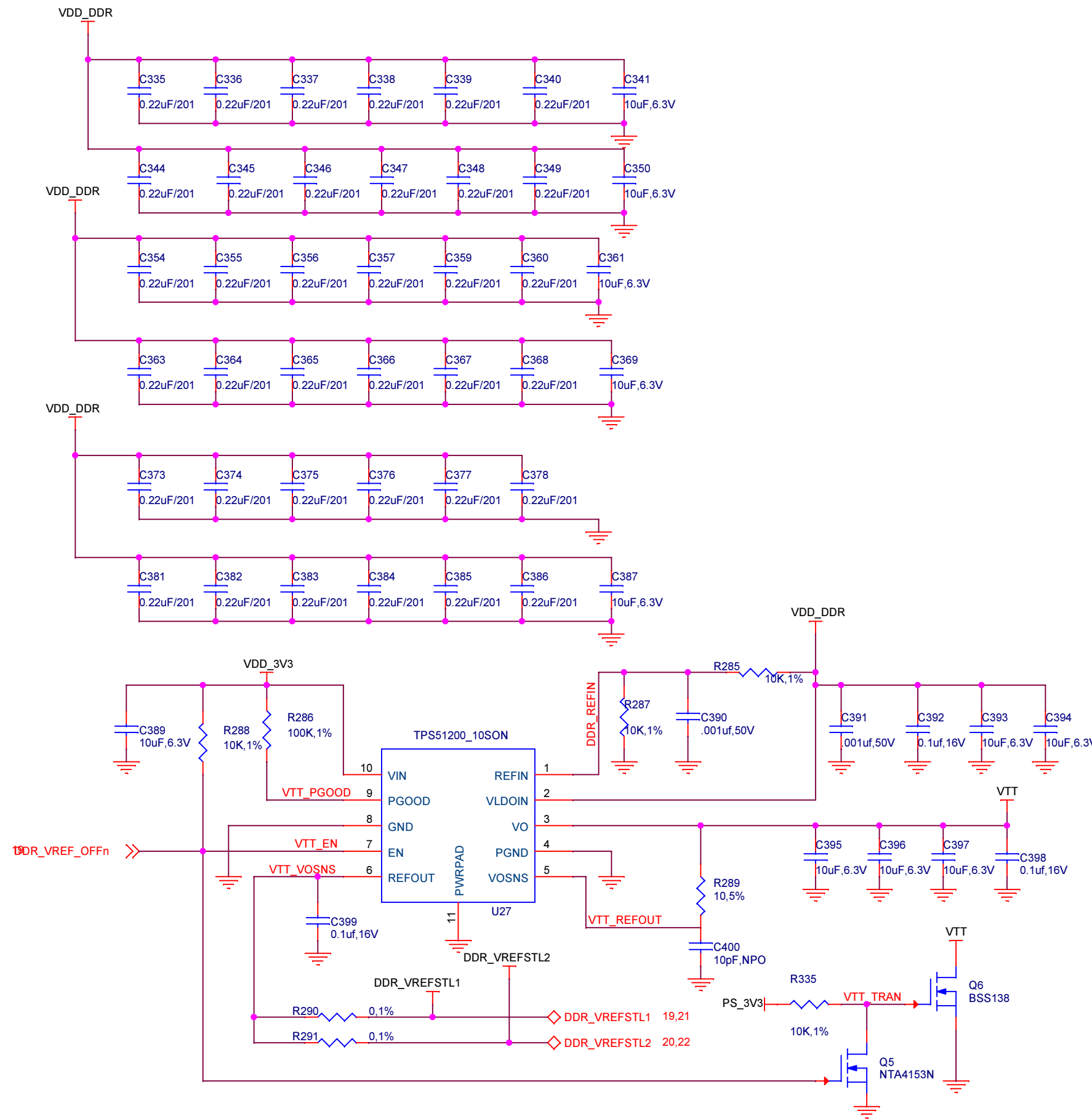
DDR_VREFSTL2 |-----◇ DDR_VREFSTL2 20,24

Catalog Processors	Texas Instruments, Inc.			
	Catalog Processors Business Unit 12500 TI Blvd Dallas, TX 75243			
	AM572x General Purpose EVM Processor Module			
	DDR3 Bank 2			
Size	Document Number	Modified By:	Rev	
B	am572x_gp_evm_REV_A4.dsn	TI Applications	A4	
Date:	Tuesday, November 20, 2018	Sheet:	22 of 27	



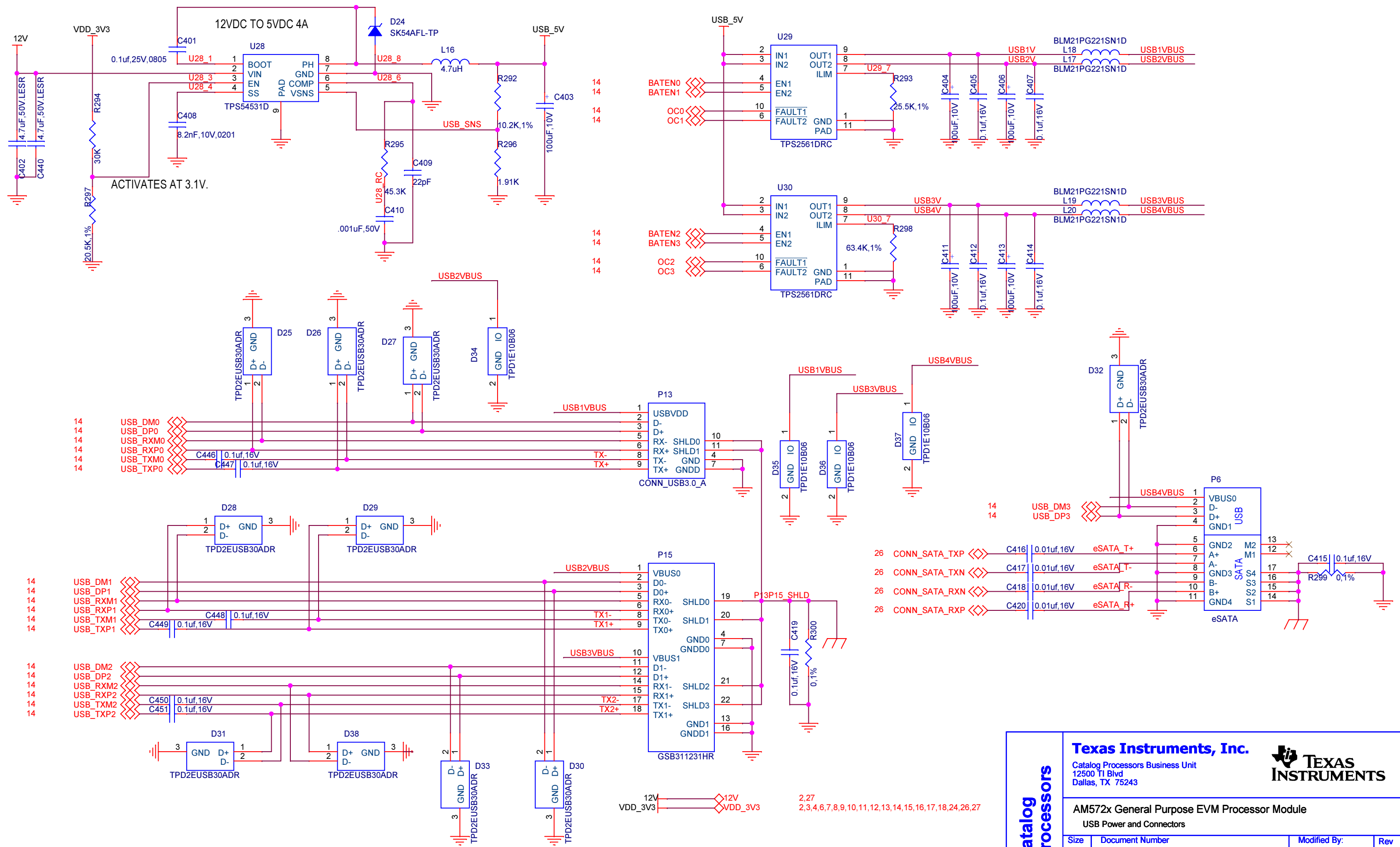
VDD_DDR VDD_DDR 5,10,19,21,22,24
 VTT VTT 24

Catalog Processors	Texas Instruments, Inc.			
	Catalog Processors Business Unit 12500 TI Blvd Dallas, TX 75243			
	AM572x General Purpose EVM Processor Module			
	DDR3 BANK 2 CAPS AND TERMINATIONS			
Size	Document Number	Modified By:	Rev	
B	am572x_gp_evm_REV_A4.dsn	TI Applications	A4	
Date:	Tuesday, November 20, 2018	Sheet:	23	of 27



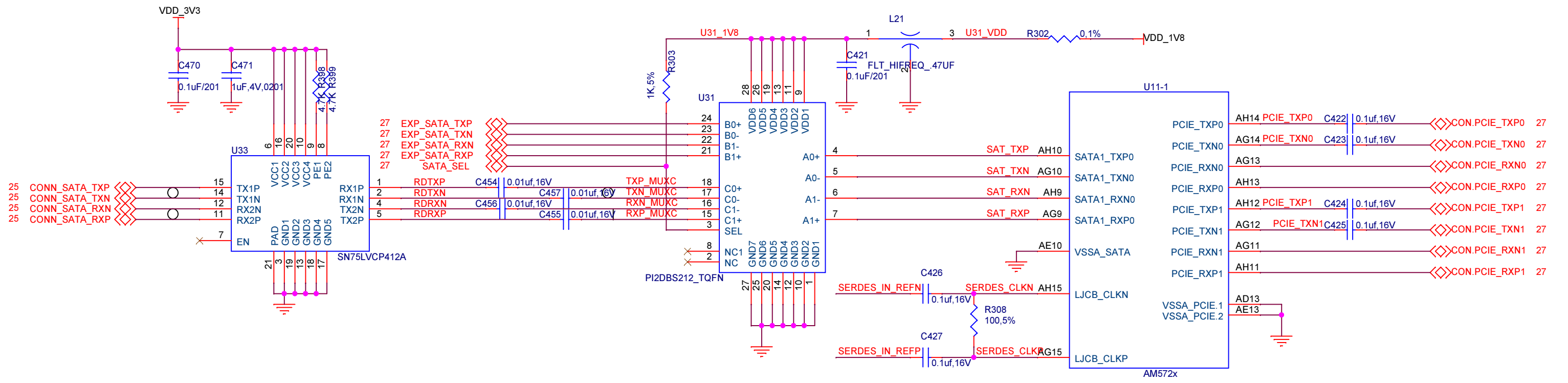
PS_3V3	PS_3V3	2,3,4,5,6,8
VDD_DDR	VDD_DDR	5,10,19,21,22,23
VTT	VTT	23
VDD_3V3	VDD_3V3	2,3,4,6,7,8,9,10,11,12,13,14,15,16,17,18,25,26,27

Catalog Processors	Texas Instruments, Inc.			
	Catalog Processors Business Unit 12500 TI Blvd Dallas, TX 75243			
	AM572x General Purpose EVM Processor Module			
	DDR3 BANK 1 CAPS AND TERMINATIONS			
Size	Document Number	Modified By:	Rev	
B	am572x_gp_evm_REV_A4.dsn	TI Applications	A4	
Date:	Tuesday, November 20, 2018	Sheet:	24	of 27

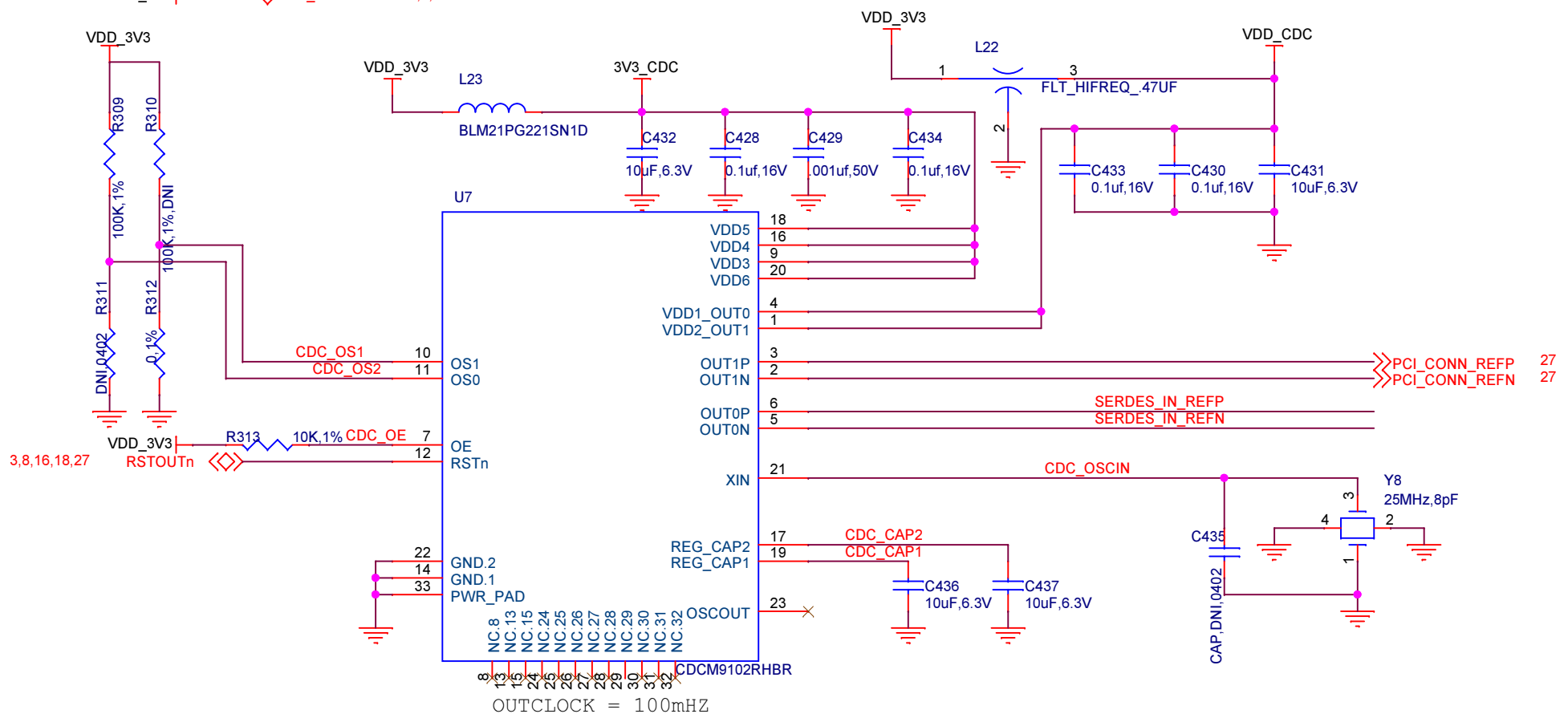


Catalog Processors	Texas Instruments, Inc.			
	Catalog Processors Business Unit 12500 TI Blvd Dallas, TX 75243			
	AM572x General Purpose EVM Processor Module			
	USB Power and Connectors			
Size	Document Number	Modified By:	Rev	
B	am572x_gp_evm_REV_A4.dsn	TI Applications	A4	
Date:	Tuesday, November 20, 2018	Sheet:	25 of 27	

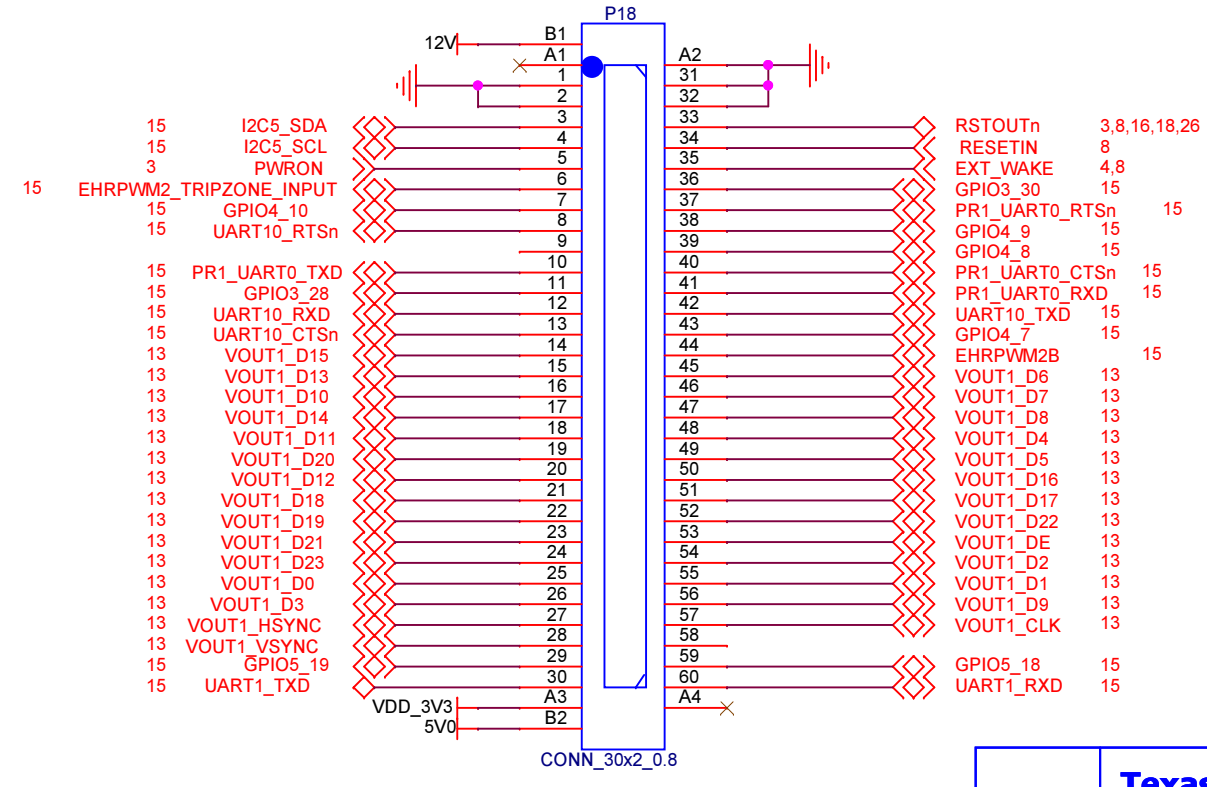
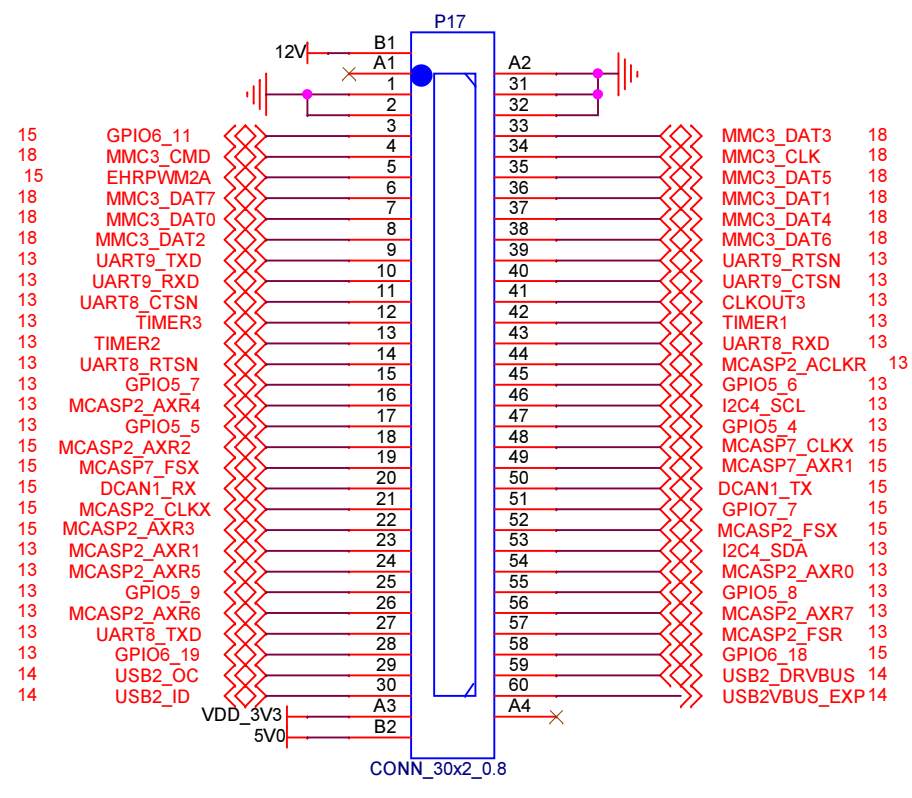
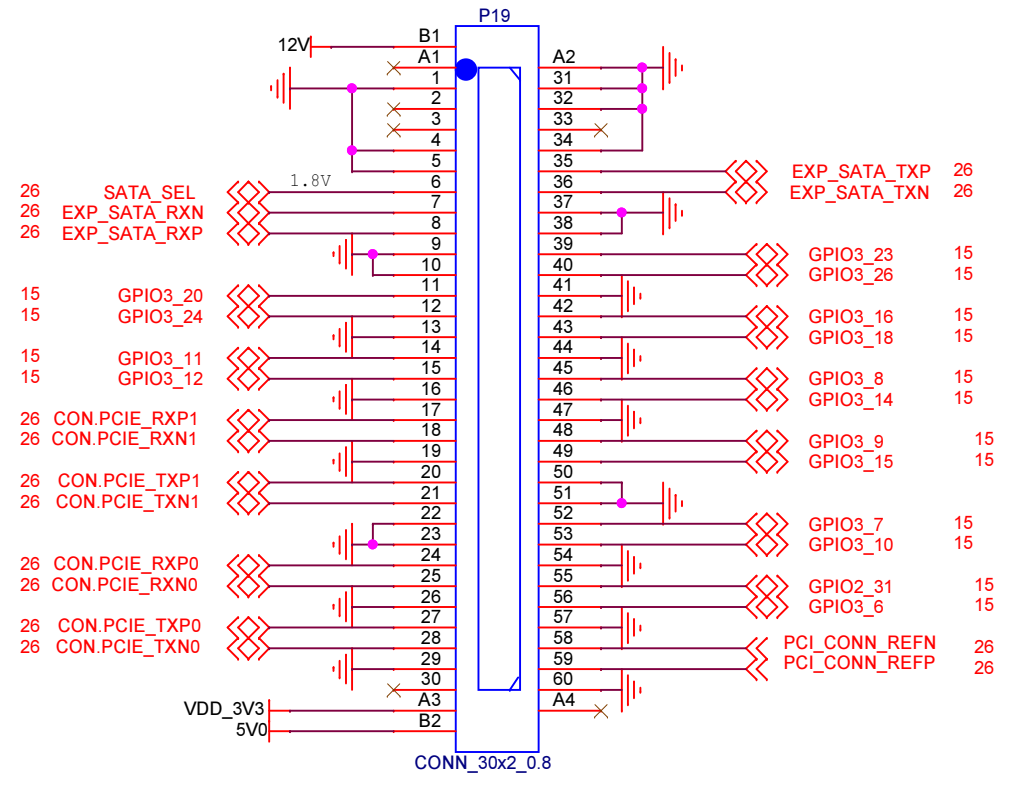
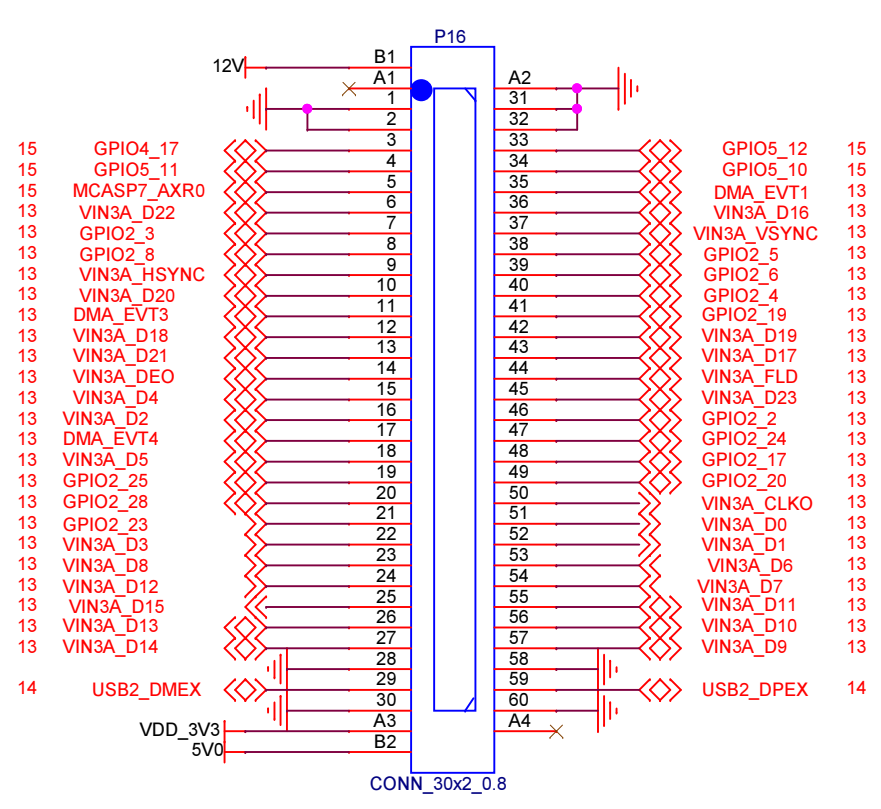
Preliminary Information - Subject to change



VDD_3V3 \diamond VDD_3V3 2,3,4,6,7,8,9,10,11,12,13,14,15,16,17,18,24,25,27
 VDD_1V8 \diamond VDD_1V8 4,6,10



Catalog Processors	Texas Instruments, Inc.			
	Catalog Processors Business Unit 12500 TI Blvd Dallas, TX 75243			
	AM572x General Purpose EVM Processor Module SERDES CLOCK, SATA, AND PCIe			
Size	Document Number	Modified By:	Rev	
B	am572x_gp_evm_REV_A4.dsn	TI Applications	A4	
Date:	Tuesday, November 20, 2018	Sheet:	26	of 27



Catalog Processors

Texas Instruments, Inc.
Catalog Processors Business Unit
12500 TI Blvd
Dallas, TX 75243

TEXAS INSTRUMENTS

AM572x General Purpose EVM Processor Module
SERDES CLOCK, SATA, AND PCIe

Size	Document Number	Modified By:	Rev
B	am572x_gp_evm_REV_A4.dsn	TI Applications	A4
Date:	Tuesday, November 20, 2018	Sheet:	27 of 27

IMPORTANT NOTICE AND DISCLAIMER

TI PROVIDES TECHNICAL AND RELIABILITY DATA (INCLUDING DATASHEETS), DESIGN RESOURCES (INCLUDING REFERENCE DESIGNS), APPLICATION OR OTHER DESIGN ADVICE, WEB TOOLS, SAFETY INFORMATION, AND OTHER RESOURCES "AS IS" AND WITH ALL FAULTS, AND DISCLAIMS ALL WARRANTIES, EXPRESS AND IMPLIED, INCLUDING WITHOUT LIMITATION ANY IMPLIED WARRANTIES OF MERCHANTABILITY, FITNESS FOR A PARTICULAR PURPOSE OR NON-INFRINGEMENT OF THIRD PARTY INTELLECTUAL PROPERTY RIGHTS.

These resources are intended for skilled developers designing with TI products. You are solely responsible for (1) selecting the appropriate TI products for your application, (2) designing, validating and testing your application, and (3) ensuring your application meets applicable standards, and any other safety, security, or other requirements. These resources are subject to change without notice. TI grants you permission to use these resources only for development of an application that uses the TI products described in the resource. Other reproduction and display of these resources is prohibited. No license is granted to any other TI intellectual property right or to any third party intellectual property right. TI disclaims responsibility for, and you will fully indemnify TI and its representatives against, any claims, damages, costs, losses, and liabilities arising out of your use of these resources.

TI's products are provided subject to TI's Terms of Sale (www.ti.com/legal/termsofsale.html) or other applicable terms available either on ti.com or provided in conjunction with such TI products. TI's provision of these resources does not expand or otherwise alter TI's applicable warranties or warranty disclaimers for TI products.

Mailing Address: Texas Instruments, Post Office Box 655303, Dallas, Texas 75265
Copyright © 2018, Texas Instruments Incorporated