

# SN54174, SN54175, SN54LS174, SN54LS175, SN54S174, SN54S175, SN74174, SN74175, SN74LS174, SN74LS175, SN74S174, SN74S175 HEX/QUADRUPLE D-TYPE FLIP-FLOPS WITH CLEAR

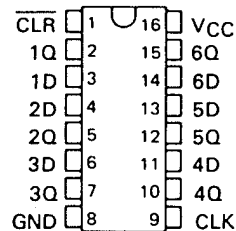
SDLS068A – DECEMBER 1972 – REVISED OCTOBER 2001

'174, 'LS174, 'S174 ... HEX D-TYPE FLIP-FLOPS  
'175, 'LS175, 'S175 ... QUADRUPLE D-TYPE FLIP-FLOPS

- '174, 'LS174, 'S174 Contain Six Flip-Flops with Single-Rail Outputs
- '175, 'LS175, 'S175 Contain Four Flip-Flops with Double-Rail Outputs
- Three Performance Ranges Offered: See Table Lower Right
- Buffered Clock and Direct Clear Inputs
- Individual Data Input to Each Flip-Flop
- Applications include:
  - Buffer/Storage Registers
  - Shift Registers
  - Pattern Generators

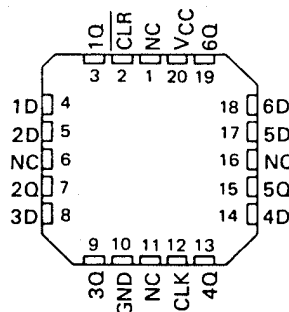
SN54174, SN54LS174, SN54S174 ... J OR W PACKAGE  
SN74174 ... N PACKAGE  
SN74LS174, SN74S174 ... D OR N PACKAGE

(TOP VIEW)



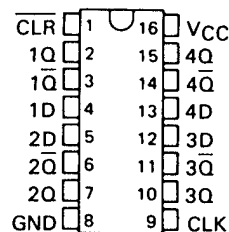
SN54LS174, SN54S174 ... FK PACKAGE

(TOP VIEW)



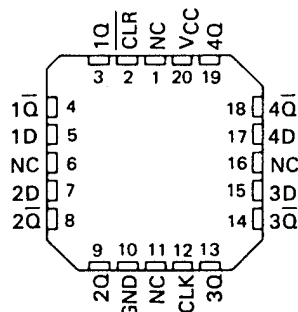
SN54175, SN54LS175, SN54S175 ... J OR W PACKAGE  
SN74175 ... N PACKAGE  
SN74LS175, SN74S175 ... D OR N PACKAGE

(TOP VIEW)



SN54LS175, SN54S175 ... FK PACKAGE

(TOP VIEW)



NC – No internal connection

## description

These monolithic, positive-edge-triggered flip-flops utilize TTL circuitry to implement D-type flip-flop logic. All have a direct clear input, and the '175, 'LS175, and 'S175 feature complementary outputs from each flip-flop.

Information at the D inputs meeting the setup time requirements is transferred to the Q outputs on the positive-going edge of the clock pulse. Clock triggering occurs at a particular voltage level and is not directly related to the transition time of the positive-going pulse. When the clock input is at either the high or low level, the D input signal has no effect at the output.

These circuits are fully compatible for use with most TTL circuits.

FUNCTION TABLE  
(EACH FLIP-FLOP)

| INPUTS |       |   | OUTPUTS        |                 |
|--------|-------|---|----------------|-----------------|
| CLEAR  | CLOCK | D | Q              | Q̄†             |
| L      | X     | X | L              | H               |
| H      | ↑     | H | H              | L               |
| H      | ↑     | L | L              | H               |
| H      | L     | X | Q <sub>0</sub> | Q̄ <sub>0</sub> |

H = high level (steady state)

L = low level (steady state)

X = irrelevant

↑ = transition from low to high level

Q<sub>0</sub> = the level of Q before the indicated steady-state input conditions were established.

† = '175, 'LS175, and 'S175 only

| TYPES          | TYPICAL   | TYPICAL       |
|----------------|-----------|---------------|
|                | MAXIMUM   | POWER         |
|                | CLOCK     | DISSIPATION   |
|                | FREQUENCY | PER FLIP-FLOP |
| '174, '175     | 35 MHz    | 38 mW         |
| 'LS174, 'LS175 | 40 MHz    | 14 mW         |
| 'S174, 'S175   | 110 MHz   | 75 mW         |

PRODUCTION DATA information is current as of publication date. Products conform to specifications per the terms of Texas Instruments standard warranty. Production processing does not necessarily include testing of all parameters.

TEXAS  
INSTRUMENTS

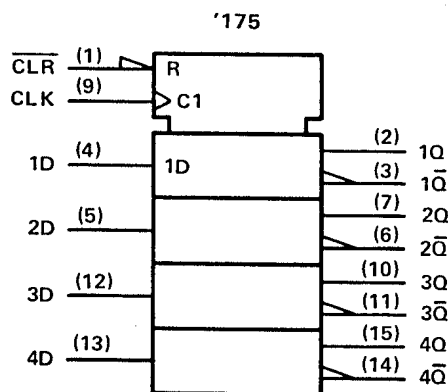
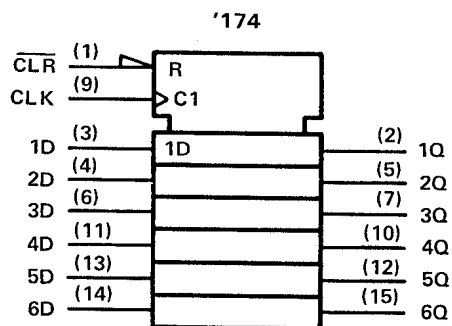
POST OFFICE BOX 655303 • DALLAS, TEXAS 75265

Copyright © 2001, Texas Instruments Incorporated

# SN54174, SN54175, SN54LS174, SN54LS175, SN54S174, SN54S175, SN74174, SN74175, SN74LS174, SN74LS175, SN74S174, SN74S175 HEX/QUADRUPLE D-TYPE FLIP-FLOPS WITH CLEAR

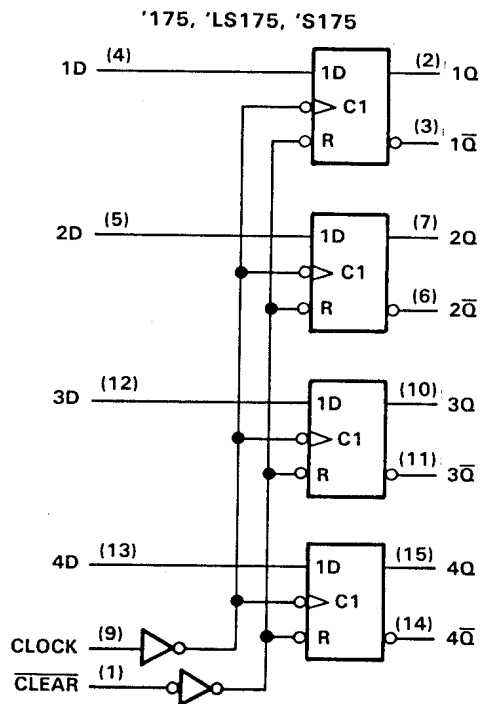
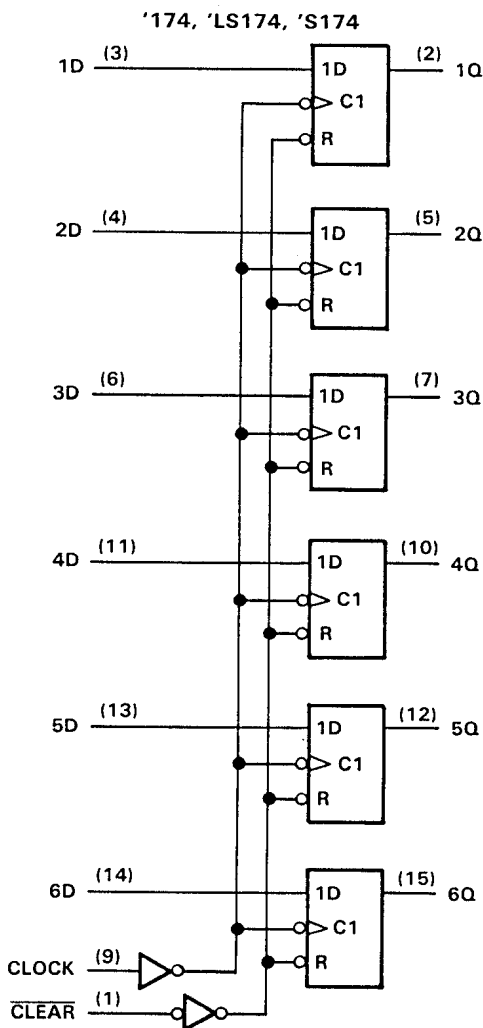
SDLS068A – DECEMBER 1972 – REVISED OCTOBER 2001

## logic symbols†



†These symbols are in accordance with ANSI/IEEE Std. 91-1984 and IEC Publication 617-12. Pin numbers shown are for D, J, N, and W packages.

## logic diagrams (positive logic)



Pin numbers shown are for D, J, N, and W packages.



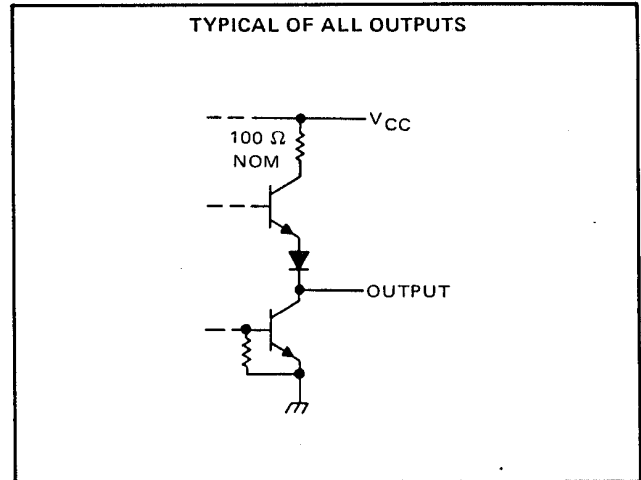
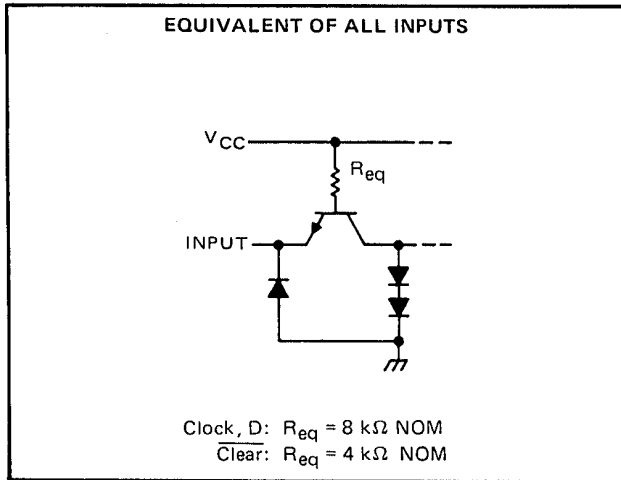
POST OFFICE BOX 655303 • DALLAS, TEXAS 75265

SN54174, SN54175, SN54LS174, SN54LS175, SN54S174, SN54S175,  
 SN74174, SN74175, SN74LS174, SN74LS175, SN74S174, SN74S175  
 HEX/QUADRUPLE D-TYPE FLIP-FLOPS WITH CLEAR

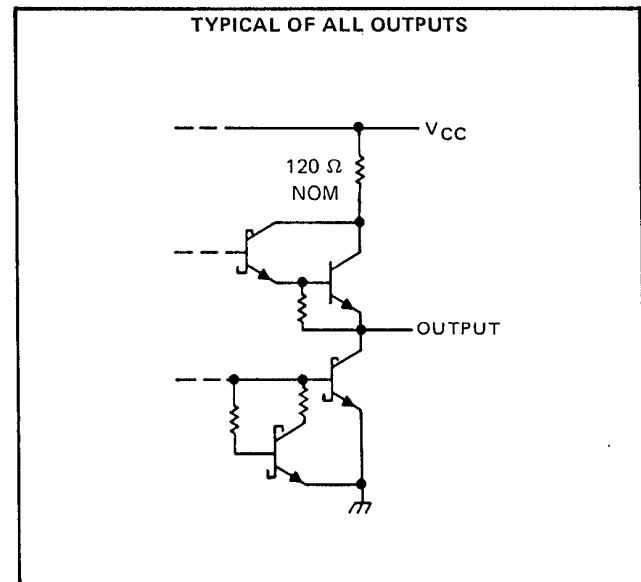
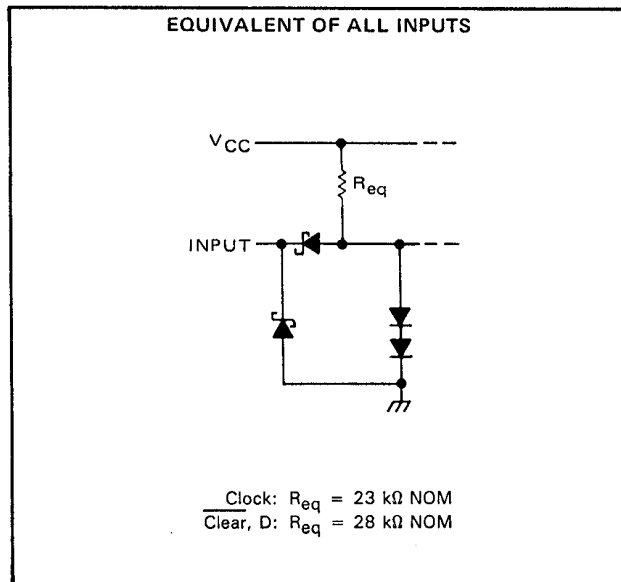
SDLS068A - DECEMBER 1972 - REVISED OCTOBER 2001

schematics of inputs and outputs

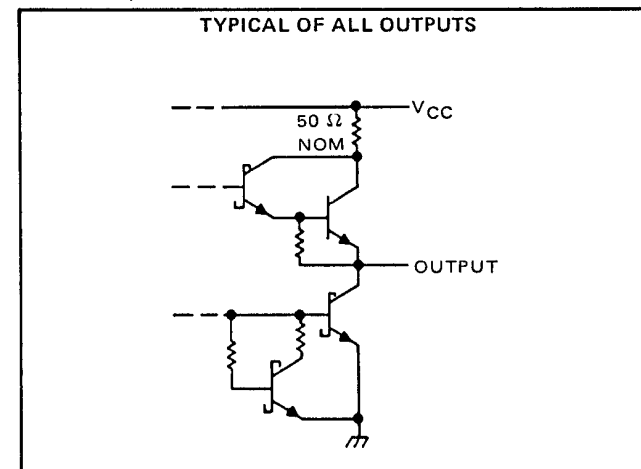
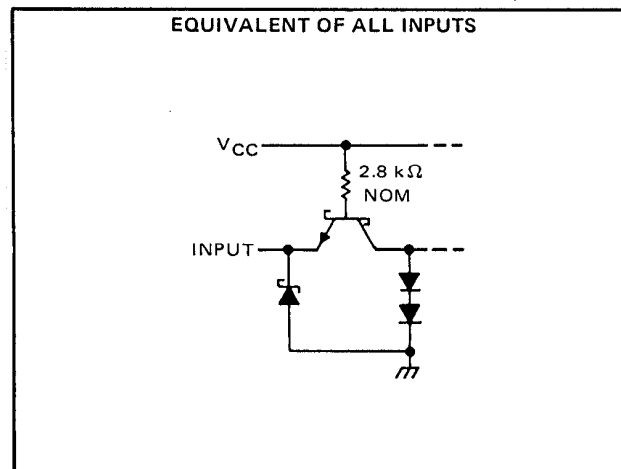
SN54174, SN54175, SN74174, SN74175



SN54LS174, SN54LS175, SN74LS174, SN74LS175



SN54S174, SN54S175, SN74S174, SN74S175



# SN54174, SN54175, SN74174, SN74175 HEX/QUADRUPLE D-TYPE FLIP-FLOPS WITH CLEAR

SDLS068A – DECEMBER 1972 – REVISED OCTOBER 2001

## absolute maximum ratings over operating free-air temperature range (unless otherwise noted)

|   |                |
|---|----------------|
| Supply voltage, $V_{CC}$ (see Note 1)                           | 7 V            |
| Input voltage   | 5.5 V          |
| Operating free-air temperature range: SN54174, SN54175 Circuits | -55°C to 125°C |
| SN74174, SN74175 Circuits                                       | 0°C to 70°C    |
| Storage temperature range                                       | -65°C to 150°C |

NOTE 1: Voltage values are with respect to network ground terminal.

## recommended operating conditions

|                                       | SN54174, SN54175     |     |      | SN74174, SN74175 |     |      | UNIT    |    |    |
|---------------------------------------|----------------------|-----|------|------------------|-----|------|---------|----|----|
|                                       | MIN                  | NOM | MAX  | MIN              | NOM | MAX  |         |    |    |
| Supply voltage, $V_{CC}$              | 4.5                  | 5   | 5.5  | 4.75             | 5   | 5.25 | V       |    |    |
| High-level output current, $I_{OH}$   |                      |     | -800 |                  |     | -800 | $\mu$ A |    |    |
| Low-level output current, $I_{OL}$    |                      |     | 16   |                  |     | 16   | mA      |    |    |
| Clock frequency, $f_{clock}$          | 0                    |     | 25   | 0                |     | 25   | MHz     |    |    |
| Width of clock or clear pulse, $t_w$  | 20                   |     |      | 20               |     |      | ns      |    |    |
| Setup time, $t_{su}$                  | Data input           |     |      | 20               |     |      | ns      |    |    |
|                                       | Clear inactive-state |     |      | 25               |     |      | ns      |    |    |
| Data hold time, $t_h$                 | 5                    |     |      | 5                |     |      | ns      |    |    |
| Operating free-air temperature, $T_A$ | -55                  |     |      | 125              |     |      | 0       | 70 | °C |

## electrical characteristics over recommended operating free-air temperature range (unless otherwise noted)

| PARAMETER                                    | TEST CONDITIONS†   | MIN   | TYP‡ | MAX  | UNIT    |
|--|--|-------|------|------|---------|
| $V_{IH}$ High-level input voltage            |  | 2     |      |      | V       |
| $V_{IL}$ Low-level input voltage             |  |       |      | 0.8  | V       |
| $V_{IK}$ Input clamp voltage                 | $V_{CC} = \text{MIN}, I_I = -12 \text{ mA}$  |       |      | -1.5 | V       |
| $V_{OH}$ High-level output voltage           | $V_{CC} = \text{MIN}, V_{IH} = 2 \text{ V}, V_{IL} = 0.8 \text{ V}, I_{OH} = -800 \mu\text{A}$ | 2.4   | 3.4  |      | V       |
| $V_{OL}$ Low-level output voltage            | $V_{CC} = \text{MIN}, V_{IH} = 2 \text{ V}, V_{IL} = 0.8 \text{ V}, I_{OL} = 16 \text{ mA}$    |       | 0.2  | 0.4  | V       |
| $I_I$ Input current at maximum input voltage | $V_{CC} = \text{MAX}, V_I = 5.5 \text{ V}$   |       |      | 1    | mA      |
| $I_{IH}$ High-level input current            | $V_{CC} = \text{MAX}, V_I = 2.4 \text{ V}$   |       |      | 40   | $\mu$ A |
| $I_{IL}$ Low-level input current             | $V_{CC} = \text{MAX}, V_I = 0.4 \text{ V}$   |       |      | -1.6 | mA      |
| $I_{OS}$ Short-circuit output current§       | $V_{CC} = \text{MAX}$  | SN54' | -20  | -57  | mA      |
|  |  | SN74' | -18  | -57  |         |
| $I_{CC}$ Supply current                      | $V_{CC} = \text{MAX}, \text{ See Note 2}$  | '174  | 45   | 65   | mA      |
|  |  | '175  | 30   | 45   |         |

† For conditions shown as MIN or MAX, use the appropriate value specified under recommended operating conditions for the applicable device type.

‡ All typical values are at  $V_{CC} = 5 \text{ V}, T_A = 25^\circ\text{C}$ .

§ Not more than one output should be shorted at a time.

NOTE 2: With all outputs open and 4.5 V applied to all data and clear inputs,  $I_{CC}$  is measured after a momentary ground, then 4.5 V, is applied to clock.

## switching characteristics, $V_{CC} = 5 \text{ V}, T_A = 25^\circ\text{C}$

| PARAMETER   | TEST CONDITIONS   | MIN | TYP | MAX | UNIT |
|---|---|-----|-----|-----|------|
| $f_{max}$ Maximum clock frequency   |   | 25  | 35  |     | MHz  |
| $t_{PLH}$ Propagation delay time, low-to-high-level output from clear (SN54175, SN74175 only) | $C_L = 15 \text{ pF}, R_L = 400 \Omega, \text{ See Note 3}$ |     | 16  | 25  | ns   |
| $t_{PHL}$ Propagation delay time, high-to-low-level output from clear                         |   |     | 23  | 35  | ns   |
| $t_{PLH}$ Propagation delay time, low-to-high-level output from clock                         |   |     | 20  | 30  | ns   |
| $t_{PHL}$ Propagation delay time, high-to-low-level output from clock                         |   |     | 24  | 35  | ns   |

NOTE 3: Load circuits and voltage waveforms are shown in Section 1.



# SN54LS174, SN54LS175, SN74LS174, SN74LS175 HEX/QUADRUPLE D-TYPE FLIP-FLOPS WITH CLEAR

SDLS068A – DECEMBER 1972 – REVISED OCTOBER 2001

## absolute maximum ratings over operating free-air temperature range (unless otherwise noted)

|   |                |
|---|----------------|
| Supply voltage, $V_{CC}$ (see Note 1)                               | 7 V            |
| Input voltage   | 7 V            |
| Operating free-air temperature range: SN54LS174, SN54LS175 Circuits | –55°C to 125°C |
| SN74LS174, SN74LS175 Circuits                                       | 0°C to 70°C    |
| Storage temperature range   | –65°C to 150°C |

NOTE 1: Voltage values are with respect to network ground terminal.

## recommended operating conditions

|                                       | SN54LS174<br>SN54LS175 |     |      | SN74LS174<br>SN74LS175 |     |      | UNIT    |
|---------------------------------------|------------------------|-----|------|------------------------|-----|------|---------|
|                                       | MIN                    | NOM | MAX  | MIN                    | NOM | MAX  |         |
| Supply voltage, $V_{CC}$              | 4.5                    | 5   | 5.5  | 4.75                   | 5   | 5.25 | V       |
| High-level output current, $I_{OH}$   |                        |     | –400 |                        |     | –400 | $\mu$ A |
| Low-level output current, $I_{OL}$    |                        |     | 4    |                        |     | 8    | mA      |
| Clock frequency, $f_{clock}$          | 0                      |     | 30   | 0                      |     | 30   | MHz     |
| Width of clock or clear pulse, $t_W$  | 20                     |     |      | 20                     |     |      | ns      |
| Setup time, $t_{su}$                  | Data input             |     |      | 20                     |     |      | ns      |
|                                       | Clear inactive-state   |     |      | 25                     |     |      | ns      |
| Data hold time, $t_h$                 | 5                      |     |      | 5                      |     |      | ns      |
| Operating free-air temperature, $T_A$ | –55                    |     | 125  | 0                      |     | 70   | °C      |

## electrical characteristics over recommended operating free-air temperature range (unless otherwise noted)

| PARAMETER                                    | TEST CONDITIONS†   | SN54LS174<br>SN54LS175  |      |      | SN74LS174<br>SN74LS175 |      |      | UNIT    |
|--|--|-------------------------|------|------|------------------------|------|------|---------|
|  |  | MIN                     | TYP‡ | MAX  | MIN                    | TYP‡ | MAX  |         |
| $V_{IH}$ High-level input voltage            |  | 2                       |      |      | 2                      |      |      | V       |
| $V_{IL}$ Low-level input voltage             |  |                         |      | 0.7  |                        |      | 0.8  | V       |
| $V_{IK}$ Input clamp voltage                 | $V_{CC} = \text{MIN}, I_I = -18 \text{ mA}$  |                         |      | –1.5 |                        |      | –1.5 | V       |
| $V_{OH}$ High-level output voltage           | $V_{CC} = \text{MIN}, V_{IH} = 2 \text{ V},$<br>$V_{IL} = V_{IL \text{ max}}, I_{OH} = -400 \mu\text{A}$ | 2.5                     | 3.5  |      | 2.7                    | 3.5  |      | V       |
| $V_{OL}$ Low-level output voltage            | $V_{CC} = \text{MIN}, V_{IH} = 2 \text{ V},$<br>$V_{IL} = V_{IL \text{ max}}$                            | $I_{OL} = 4 \text{ mA}$ |      | 0.25 | 0.4                    | 0.25 | 0.4  | V       |
|  |  | $I_{OL} = 8 \text{ mA}$ |      |      |                        | 0.35 | 0.5  |         |
| $I_I$ Input current at maximum input voltage | $V_{CC} = \text{MAX}, V_I = 7 \text{ V}$   |                         |      | 0.1  |                        |      | 0.1  | mA      |
| $I_{IH}$ High-level input current            | $V_{CC} = \text{MAX}, V_I = 2.7 \text{ V}$   |                         |      | 20   |                        |      | 20   | $\mu$ A |
| $I_{IL}$ Low-level input current             | $V_{CC} = \text{MAX}, V_I = 0.4 \text{ V}$   |                         |      | –0.4 |                        |      | –0.4 | mA      |
| $I_{OS}$ Short-circuit output current §      | $V_{CC} = \text{MAX}$  | –20                     |      | –100 | –20                    |      | –100 | mA      |
| $I_{CC}$ Supply current                      | $V_{CC} = \text{MAX},$ See Note 2  | 'LS174                  |      | 16   | 26                     | 16   | 26   | mA      |
|  |  | 'LS175                  |      | 11   | 18                     | 11   | 18   |         |

† For conditions shown as MIN or MAX, use the appropriate value specified under recommended operating conditions.

‡ All typical values are at  $V_{CC} = 5 \text{ V}, T_A = 25^\circ\text{C}$ .

§ Not more than one output should be shorted at a time, and duration of the short-circuit should not exceed one second.

NOTE 2: With all outputs open and 4.5 V applied to all data and clear inputs,  $I_{CC}$  is measured after a momentary ground, then 4.5 V, is applied to clock.

## switching characteristics, $V_{CC} = 5 \text{ V}, T_A = 25^\circ\text{C}$

| PARAMETER   | TEST CONDITIONS  | 'LS174 |     |     | 'LS175 |     |     | UNIT |
|---|--|--------|-----|-----|--------|-----|-----|------|
|   |  | MIN    | TYP | MAX | MIN    | TYP | MAX |      |
| $f_{max}$ Maximum clock frequency                                     | $C_L = 15 \text{ pF},$<br>$R_L = 2 \text{ k}\Omega,$<br>See Note 3 | 30     | 40  |     | 30     | 40  |     | MHz  |
| $t_{PLH}$ Propagation delay time, low-to-high-level output from clear |  |        |     |     | 20     | 30  |     | ns   |
| $t_{PHL}$ Propagation delay time, high-to-low-level output from clear |  |        | 23  | 35  | 20     | 30  |     | ns   |
| $t_{PLH}$ Propagation delay time, low-to-high-level output from clock |  |        | 20  | 30  | 13     | 25  |     | ns   |
| $t_{PHL}$ Propagation delay time, high-to-low-level output from clock |  |        | 21  | 30  | 16     | 25  |     | ns   |

NOTE 3: Load circuits and voltage waveforms are shown in Section 1.



# SN54S174, SN54S175, SN74S174, SN74S175 HEX/QUADRUPLE D-TYPE FLIP-FLOPS WITH CLEAR

SDLS068A – DECEMBER 1972 – REVISED OCTOBER 2001

## absolute maximum ratings over operating free-air temperature range (unless otherwise noted)

|   |                |
|---|----------------|
| Supply voltage, $V_{CC}$ (see Note 1)                             | 7 V            |
| Input voltage   | 5.5 V          |
| Operating free-air temperature range: SN54S174, SN54S175 Circuits | -55°C to 125°C |
| SN74S174, SN74S175 Circuits                                       | 0°C to 70°C    |
| Storage temperature range   | -65°C to 150°C |

NOTE 1: Voltage values are with respect to network ground terminal.

## recommended operating conditions

|                                       | SN54S174, SN54S175   |     |     | SN74S174, SN74S175 |     |      | UNIT |
|---------------------------------------|----------------------|-----|-----|--------------------|-----|------|------|
|                                       | MIN                  | NOM | MAX | MIN                | NOM | MAX  |      |
| Supply voltage, $V_{CC}$              | 4.5                  | 5   | 5.5 | 4.75               | 5   | 5.25 | V    |
| High-level output current, $I_{OH}$   |                      |     | -1  |                    |     | -1   | mA   |
| Low-level output current, $I_{OL}$    |                      |     | 20  |                    |     | 20   | mA   |
| Clock frequency, $f_{clock}$          | 0                    |     | 75  | 0                  |     | 75   | MHz  |
| Pulse width, $t_w$                    | Clock                |     | 7   |                    |     | 7    | ns   |
|                                       | Clear                |     | 10  |                    |     | 10   |      |
| Setup time, $t_{su}$                  | Data input           |     | 5   |                    |     | 5    | ns   |
|                                       | Clear inactive-state |     | 5   |                    |     | 5    |      |
| Data hold time, $t_h$                 |                      |     | 3   |                    |     | 3    | ns   |
| Operating free-air temperature, $T_A$ | -55                  |     | 125 | 0                  |     | 70   | °C   |

## electrical characteristics over recommended operating free-air temperature range (unless otherwise noted)

| PARAMETER                                    | TEST CONDITIONS†   | MIN    | TYP‡ | MAX  | UNIT |
|--|--|--------|------|------|------|
| $V_{IH}$ High-level input voltage            |  | 2      |      |      | V    |
| $V_{IL}$ Low-level input voltage             |  |        |      | 0.8  | V    |
| $V_{IK}$ Input clamp voltage                 | $V_{CC} = \text{MIN}, I_I = -18 \text{ mA}$  |        |      | -1.2 | V    |
| $V_{OH}$ High-level output voltage           | $V_{CC} = \text{MIN}, V_{IH} = 2 \text{ V},$<br>$V_{IL} = 0.8 \text{ V}, I_{OH} = -1 \text{ mA}$ | SN54S' | 2.5  | 3.4  | V    |
|  |  | SN74S' | 2.7  | 3.4  |      |
| $V_{OL}$ Low-level output voltage            | $V_{CC} = \text{MIN}, V_{IH} = 2 \text{ V},$<br>$V_{IL} = 0.8 \text{ V}, I_{OL} = 20 \text{ mA}$ |        |      | 0.5  | V    |
| $I_I$ Input current at maximum input voltage | $V_{CC} = \text{MAX}, V_I = 5.5 \text{ V}$   |        |      | 1    | mA   |
| $I_{IH}$ High-level input current            | $V_{CC} = \text{MAX}, V_I = 2.7 \text{ V}$   |        |      | 50   | µA   |
| $I_{IL}$ Low-level input current             | $V_{CC} = \text{MAX}, V_I = 0.5 \text{ V}$   |        |      | -2   | mA   |
| $I_{OS}$ Short-circuit output current §      | $V_{CC} = \text{MAX}$  | -40    |      | -100 | mA   |
| $I_{CC}$ Supply current                      | $V_{CC} = \text{MAX},$ See Note 2  | '174   | 90   | 144  | mA   |
|  |  | '175   | 60   | 96   |      |

† For conditions shown as MIN or MAX, use the appropriate value specified under recommended operating conditions for the applicable device type.

‡ All typical values are at  $V_{CC} = 5 \text{ V}, T_A = 25^\circ\text{C}$ .

§ Not more than one output should be shorted at a time, and duration of the short-circuit should not exceed one second.

NOTE 2: With all outputs open and 4.5 V applied to all data and clear inputs,  $I_{CC}$  is measured after a momentary ground, then 4.5 V, is applied to clock.

## switching characteristics, $V_{CC} = 5 \text{ V}, T_A = 25^\circ\text{C}$

| PARAMETER   | TEST CONDITIONS   | MIN | TYP  | MAX | UNIT |
|---|---|-----|------|-----|------|
| $f_{max}$ Maximum clock frequency   |   | 75  | 110  |     | MHz  |
| $t_{PLH}$ Propagation delay time, low-to-high-level $\bar{Q}$ output from clear (SN54S175, SN74S175 only) | $C_L = 15 \text{ pF},$<br>$R_L = 280 \Omega,$<br>See Note 3 |     | 10   | 15  | ns   |
| $t_{PHL}$ Propagation delay time, high-to-low-level $\bar{Q}$ output from clear                           |   |     | 13   | 22  | ns   |
| $t_{PLH}$ Propagation delay time, low-to-high-level output from clock                                     |   |     | 8    | 12  | ns   |
| $t_{PHL}$ Propagation time, high-to-low-level output from clock   |   |     | 11.5 | 17  | ns   |

NOTE 3: Load circuits and voltage waveforms are shown in Section 1.



**PACKAGING INFORMATION**

| Orderable Device | Status<br>(1) | Package Type | Package Drawing | Pins | Package Qty | Eco Plan<br>(2)  | Lead finish/<br>Ball material<br>(6) | MSL Peak Temp<br>(3) | Op Temp (°C) | Device Marking<br>(4/5) | Samples                 |
|------------------|---------------|--------------|-----------------|------|-------------|------------------|--------------------------------------|----------------------|--------------|-------------------------|-------------------------|
| JM38510/07105BEA | ACTIVE        | CDIP         | J               | 16   | 25          | Non-RoHS & Green | SNPB                                 | N / A for Pkg Type   | -55 to 125   | JM38510/<br>07105BEA    | <a href="#">Samples</a> |
| JM38510/07105BFA | ACTIVE        | CFP          | W               | 16   | 25          | Non-RoHS & Green | SNPB                                 | N / A for Pkg Type   | -55 to 125   | JM38510/<br>07105BFA    | <a href="#">Samples</a> |
| JM38510/07106BEA | ACTIVE        | CDIP         | J               | 16   | 25          | Non-RoHS & Green | SNPB                                 | N / A for Pkg Type   | -55 to 125   | JM38510/<br>07106BEA    | <a href="#">Samples</a> |
| JM38510/30106B2A | ACTIVE        | LCCC         | FK              | 20   | 55          | Non-RoHS & Green | SNPB                                 | N / A for Pkg Type   | -55 to 125   | JM38510/<br>30106B2A    | <a href="#">Samples</a> |
| JM38510/30106BEA | ACTIVE        | CDIP         | J               | 16   | 25          | Non-RoHS & Green | SNPB                                 | N / A for Pkg Type   | -55 to 125   | JM38510/<br>30106BEA    | <a href="#">Samples</a> |
| JM38510/30106BFA | ACTIVE        | CFP          | W               | 16   | 25          | Non-RoHS & Green | SNPB                                 | N / A for Pkg Type   | -55 to 125   | JM38510/<br>30106BFA    | <a href="#">Samples</a> |
| JM38510/30107B2A | ACTIVE        | LCCC         | FK              | 20   | 55          | Non-RoHS & Green | SNPB                                 | N / A for Pkg Type   | -55 to 125   | JM38510/<br>30107B2A    | <a href="#">Samples</a> |
| JM38510/30107BEA | ACTIVE        | CDIP         | J               | 16   | 25          | Non-RoHS & Green | SNPB                                 | N / A for Pkg Type   | -55 to 125   | JM38510/<br>30107BEA    | <a href="#">Samples</a> |
| JM38510/30107BFA | ACTIVE        | CFP          | W               | 16   | 25          | Non-RoHS & Green | SNPB                                 | N / A for Pkg Type   | -55 to 125   | JM38510/<br>30107BFA    | <a href="#">Samples</a> |
| M38510/07105BEA  | ACTIVE        | CDIP         | J               | 16   | 25          | Non-RoHS & Green | SNPB                                 | N / A for Pkg Type   | -55 to 125   | JM38510/<br>07105BEA    | <a href="#">Samples</a> |
| M38510/07105BFA  | ACTIVE        | CFP          | W               | 16   | 25          | Non-RoHS & Green | SNPB                                 | N / A for Pkg Type   | -55 to 125   | JM38510/<br>07105BFA    | <a href="#">Samples</a> |
| M38510/07106BEA  | ACTIVE        | CDIP         | J               | 16   | 25          | Non-RoHS & Green | SNPB                                 | N / A for Pkg Type   | -55 to 125   | JM38510/<br>07106BEA    | <a href="#">Samples</a> |
| M38510/30106B2A  | ACTIVE        | LCCC         | FK              | 20   | 55          | Non-RoHS & Green | SNPB                                 | N / A for Pkg Type   | -55 to 125   | JM38510/<br>30106B2A    | <a href="#">Samples</a> |
| M38510/30106BEA  | ACTIVE        | CDIP         | J               | 16   | 25          | Non-RoHS & Green | SNPB                                 | N / A for Pkg Type   | -55 to 125   | JM38510/<br>30106BEA    | <a href="#">Samples</a> |
| M38510/30106BFA  | ACTIVE        | CFP          | W               | 16   | 25          | Non-RoHS & Green | SNPB                                 | N / A for Pkg Type   | -55 to 125   | JM38510/<br>30106BFA    | <a href="#">Samples</a> |
| M38510/30107B2A  | ACTIVE        | LCCC         | FK              | 20   | 55          | Non-RoHS & Green | SNPB                                 | N / A for Pkg Type   | -55 to 125   | JM38510/<br>30107B2A    | <a href="#">Samples</a> |

| Orderable Device | Status<br>(1) | Package Type | Package Drawing | Pins | Package Qty | Eco Plan<br>(2)  | Lead finish/<br>Ball material<br>(6) | MSL Peak Temp<br>(3) | Op Temp (°C) | Device Marking<br>(4/5) | Samples                 |
|------------------|---------------|--------------|-----------------|------|-------------|------------------|--------------------------------------|----------------------|--------------|-------------------------|-------------------------|
| M38510/30107BEA  | ACTIVE        | CDIP         | J               | 16   | 25          | Non-RoHS & Green | SNPB                                 | N / A for Pkg Type   | -55 to 125   | JM38510/<br>30107BEA    | <a href="#">Samples</a> |
| M38510/30107BFA  | ACTIVE        | CFP          | W               | 16   | 25          | Non-RoHS & Green | SNPB                                 | N / A for Pkg Type   | -55 to 125   | JM38510/<br>30107BFA    | <a href="#">Samples</a> |
| SN54LS174J       | ACTIVE        | CDIP         | J               | 16   | 25          | Non-RoHS & Green | SNPB                                 | N / A for Pkg Type   | -55 to 125   | SN54LS174J              | <a href="#">Samples</a> |
| SN54LS175J       | ACTIVE        | CDIP         | J               | 16   | 25          | Non-RoHS & Green | SNPB                                 | N / A for Pkg Type   | -55 to 125   | SN54LS175J              | <a href="#">Samples</a> |
| SN54S174J        | ACTIVE        | CDIP         | J               | 16   | 25          | Non-RoHS & Green | SNPB                                 | N / A for Pkg Type   | -55 to 125   | SN54S174J               | <a href="#">Samples</a> |
| SN54S175J        | ACTIVE        | CDIP         | J               | 16   | 25          | Non-RoHS & Green | SNPB                                 | N / A for Pkg Type   | -55 to 125   | SN54S175J               | <a href="#">Samples</a> |
| SN74LS174D       | OBSOLETE      | SOIC         | D               | 16   |             | TBD              | Call TI                              | Call TI              | 0 to 70      | LS174                   |                         |
| SN74LS174DR      | ACTIVE        | SOIC         | D               | 16   | 2500        | RoHS & Green     | NIPDAU                               | Level-1-260C-UNLIM   | 0 to 70      | LS174                   | <a href="#">Samples</a> |
| SN74LS174N       | ACTIVE        | PDIP         | N               | 16   | 25          | RoHS & Green     | NIPDAU                               | N / A for Pkg Type   | 0 to 70      | SN74LS174N              | <a href="#">Samples</a> |
| SN74LS174NSR     | ACTIVE        | SOP          | NS              | 16   | 2000        | RoHS & Green     | NIPDAU                               | Level-1-260C-UNLIM   | 0 to 70      | 74LS174                 | <a href="#">Samples</a> |
| SN74LS175D       | OBSOLETE      | SOIC         | D               | 16   |             | TBD              | Call TI                              | Call TI              | 0 to 70      | LS175                   |                         |
| SN74LS175DR      | ACTIVE        | SOIC         | D               | 16   | 2500        | RoHS & Green     | NIPDAU                               | Level-1-260C-UNLIM   | 0 to 70      | LS175                   | <a href="#">Samples</a> |
| SN74LS175N       | ACTIVE        | PDIP         | N               | 16   | 25          | RoHS & Green     | NIPDAU                               | N / A for Pkg Type   | 0 to 70      | SN74LS175N              | <a href="#">Samples</a> |
| SN74LS175NE4     | ACTIVE        | PDIP         | N               | 16   | 25          | RoHS & Green     | NIPDAU                               | N / A for Pkg Type   | 0 to 70      | SN74LS175N              | <a href="#">Samples</a> |
| SN74LS175NSR     | ACTIVE        | SOP          | NS              | 16   | 2000        | RoHS & Green     | NIPDAU                               | Level-1-260C-UNLIM   | 0 to 70      | 74LS175                 | <a href="#">Samples</a> |
| SN74S175D        | ACTIVE        | SOIC         | D               | 16   | 40          | RoHS & Green     | NIPDAU                               | Level-1-260C-UNLIM   | 0 to 70      | S175                    | <a href="#">Samples</a> |
| SN74S175N        | ACTIVE        | PDIP         | N               | 16   | 25          | RoHS & Green     | NIPDAU                               | N / A for Pkg Type   | 0 to 70      | SN74S175N               | <a href="#">Samples</a> |
| SNJ54LS174FK     | ACTIVE        | LCCC         | FK              | 20   | 55          | Non-RoHS & Green | SNPB                                 | N / A for Pkg Type   | -55 to 125   | SNJ54LS<br>174FK        | <a href="#">Samples</a> |
| SNJ54LS174J      | ACTIVE        | CDIP         | J               | 16   | 25          | Non-RoHS & Green | SNPB                                 | N / A for Pkg Type   | -55 to 125   | SNJ54LS174J             | <a href="#">Samples</a> |
| SNJ54LS174W      | ACTIVE        | CFP          | W               | 16   | 25          | Non-RoHS & Green | SNPB                                 | N / A for Pkg Type   | -55 to 125   | SNJ54LS174W             | <a href="#">Samples</a> |



| Orderable Device | Status<br>(1) | Package Type | Package Drawing | Pins | Package Qty | Eco Plan<br>(2)  | Lead finish/<br>Ball material<br>(6) | MSL Peak Temp<br>(3) | Op Temp (°C) | Device Marking<br>(4/5) | Samples                 |
|------------------|---------------|--------------|-----------------|------|-------------|------------------|--------------------------------------|----------------------|--------------|-------------------------|-------------------------|
| SNJ54LS175FK     | ACTIVE        | LCCC         | FK              | 20   | 55          | Non-RoHS & Green | SNPB                                 | N / A for Pkg Type   | -55 to 125   | SNJ54LS175FK            | <a href="#">Samples</a> |
| SNJ54LS175J      | ACTIVE        | CDIP         | J               | 16   | 25          | Non-RoHS & Green | SNPB                                 | N / A for Pkg Type   | -55 to 125   | SNJ54LS175J             | <a href="#">Samples</a> |
| SNJ54LS175W      | ACTIVE        | CFP          | W               | 16   | 25          | Non-RoHS & Green | SNPB                                 | N / A for Pkg Type   | -55 to 125   | SNJ54LS175W             | <a href="#">Samples</a> |
| SNJ54S174J       | ACTIVE        | CDIP         | J               | 16   | 25          | Non-RoHS & Green | SNPB                                 | N / A for Pkg Type   | -55 to 125   | SNJ54S174J              | <a href="#">Samples</a> |
| SNJ54S174W       | ACTIVE        | CFP          | W               | 16   | 25          | Non-RoHS & Green | SNPB                                 | N / A for Pkg Type   | -55 to 125   | SNJ54S174W              | <a href="#">Samples</a> |
| SNJ54S175J       | ACTIVE        | CDIP         | J               | 16   | 25          | Non-RoHS & Green | SNPB                                 | N / A for Pkg Type   | -55 to 125   | SNJ54S175J              | <a href="#">Samples</a> |

(1) The marketing status values are defined as follows:

**ACTIVE:** Product device recommended for new designs.

**LIFEBUY:** TI has announced that the device will be discontinued, and a lifetime-buy period is in effect.

**NRND:** Not recommended for new designs. Device is in production to support existing customers, but TI does not recommend using this part in a new design.

**PREVIEW:** Device has been announced but is not in production. Samples may or may not be available.

**OBSOLETE:** TI has discontinued the production of the device.

(2) **RoHS:** TI defines "RoHS" to mean semiconductor products that are compliant with the current EU RoHS requirements for all 10 RoHS substances, including the requirement that RoHS substance do not exceed 0.1% by weight in homogeneous materials. Where designed to be soldered at high temperatures, "RoHS" products are suitable for use in specified lead-free processes. TI may reference these types of products as "Pb-Free".

**RoHS Exempt:** TI defines "RoHS Exempt" to mean products that contain lead but are compliant with EU RoHS pursuant to a specific EU RoHS exemption.

**Green:** TI defines "Green" to mean the content of Chlorine (Cl) and Bromine (Br) based flame retardants meet JS709B low halogen requirements of <=1000ppm threshold. Antimony trioxide based flame retardants must also meet the <=1000ppm threshold requirement.

(3) MSL, Peak Temp. - The Moisture Sensitivity Level rating according to the JEDEC industry standard classifications, and peak solder temperature.

(4) There may be additional marking, which relates to the logo, the lot trace code information, or the environmental category on the device.

(5) Multiple Device Markings will be inside parentheses. Only one Device Marking contained in parentheses and separated by a "~" will appear on a device. If a line is indented then it is a continuation of the previous line and the two combined represent the entire Device Marking for that device.

(6) Lead finish/Ball material - Orderable Devices may have multiple material finish options. Finish options are separated by a vertical ruled line. Lead finish/Ball material values may wrap to two lines if the finish value exceeds the maximum column width.

**Important Information and Disclaimer:** The information provided on this page represents TI's knowledge and belief as of the date that it is provided. TI bases its knowledge and belief on information provided by third parties, and makes no representation or warranty as to the accuracy of such information. Efforts are underway to better integrate information from third parties. TI has taken and continues to take reasonable steps to provide representative and accurate information but may not have conducted destructive testing or chemical analysis on incoming materials and chemicals. TI and TI suppliers consider certain information to be proprietary, and thus CAS numbers and other limited information may not be available for release.

In no event shall TI's liability arising out of such information exceed the total purchase price of the TI part(s) at issue in this document sold by TI to Customer on an annual basis.

**OTHER QUALIFIED VERSIONS OF SN54LS174, SN54LS175, SN54S175, SN74LS174, SN74LS175, SN74S175 :**

- Catalog : [SN74LS174](#), [SN74LS175](#), [SN74S175](#)
- Military : [SN54LS174](#), [SN54LS175](#), [SN54S175](#)

NOTE: Qualified Version Definitions:

- Catalog - TI's standard catalog product
- Military - QML certified for Military and Defense Applications

**TAPE AND REEL INFORMATION**

**QUADRANT ASSIGNMENTS FOR PIN 1 ORIENTATION IN TAPE**

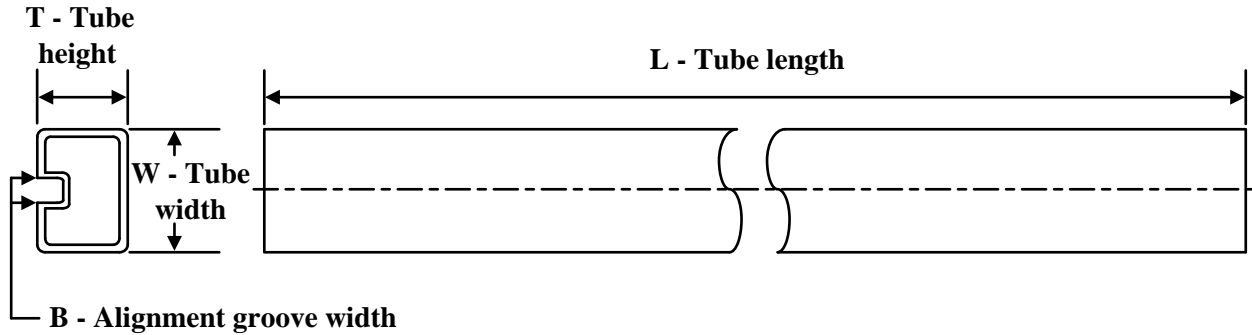

\*All dimensions are nominal

| Device       | Package Type | Package Drawing | Pins | SPQ  | Reel Diameter (mm) | Reel Width W1 (mm) | A0 (mm) | B0 (mm) | K0 (mm) | P1 (mm) | W (mm) | Pin1 Quadrant |
|--------------|--------------|-----------------|------|------|--------------------|--------------------|---------|---------|---------|---------|--------|---------------|
| SN74LS174DR  | SOIC         | D               | 16   | 2500 | 330.0              | 16.4               | 6.5     | 10.3    | 2.1     | 8.0     | 16.0   | Q1            |
| SN74LS174NSR | SOP          | NS              | 16   | 2000 | 330.0              | 16.4               | 8.2     | 10.5    | 2.5     | 12.0    | 16.0   | Q1            |
| SN74LS175DR  | SOIC         | D               | 16   | 2500 | 330.0              | 16.4               | 6.5     | 10.3    | 2.1     | 8.0     | 16.0   | Q1            |
| SN74LS175NSR | SOP          | NS              | 16   | 2000 | 330.0              | 16.4               | 8.2     | 10.5    | 2.5     | 12.0    | 16.0   | Q1            |

**TAPE AND REEL BOX DIMENSIONS**


\*All dimensions are nominal

| Device       | Package Type | Package Drawing | Pins | SPQ  | Length (mm) | Width (mm) | Height (mm) |
|--------------|--------------|-----------------|------|------|-------------|------------|-------------|
| SN74LS174DR  | SOIC         | D               | 16   | 2500 | 353.0       | 353.0      | 32.0        |
| SN74LS174NSR | SOP          | NS              | 16   | 2000 | 356.0       | 356.0      | 35.0        |
| SN74LS175DR  | SOIC         | D               | 16   | 2500 | 340.5       | 336.1      | 32.0        |
| SN74LS175NSR | SOP          | NS              | 16   | 2000 | 356.0       | 356.0      | 35.0        |

**TUBE**


\*All dimensions are nominal

| Device           | Package Name | Package Type | Pins | SPQ | L (mm) | W (mm) | T (µm) | B (mm) |
|------------------|--------------|--------------|------|-----|--------|--------|--------|--------|
| JM38510/07105BFA | W            | CFP          | 16   | 25  | 506.98 | 26.16  | 6220   | NA     |
| JM38510/30106B2A | FK           | LCCC         | 20   | 55  | 506.98 | 12.06  | 2030   | NA     |
| JM38510/30106BFA | W            | CFP          | 16   | 25  | 506.98 | 26.16  | 6220   | NA     |
| JM38510/30107B2A | FK           | LCCC         | 20   | 55  | 506.98 | 12.06  | 2030   | NA     |
| JM38510/30107BFA | W            | CFP          | 16   | 25  | 506.98 | 26.16  | 6220   | NA     |
| M38510/07105BFA  | W            | CFP          | 16   | 25  | 506.98 | 26.16  | 6220   | NA     |
| M38510/30106B2A  | FK           | LCCC         | 20   | 55  | 506.98 | 12.06  | 2030   | NA     |
| M38510/30106BFA  | W            | CFP          | 16   | 25  | 506.98 | 26.16  | 6220   | NA     |
| M38510/30107B2A  | FK           | LCCC         | 20   | 55  | 506.98 | 12.06  | 2030   | NA     |
| M38510/30107BFA  | W            | CFP          | 16   | 25  | 506.98 | 26.16  | 6220   | NA     |
| SN74LS174N       | N            | PDIP         | 16   | 25  | 506    | 13.97  | 11230  | 4.32   |
| SN74LS174N       | N            | PDIP         | 16   | 25  | 506    | 13.97  | 11230  | 4.32   |
| SN74LS175N       | N            | PDIP         | 16   | 25  | 506    | 13.97  | 11230  | 4.32   |
| SN74LS175N       | N            | PDIP         | 16   | 25  | 506    | 13.97  | 11230  | 4.32   |
| SN74LS175NE4     | N            | PDIP         | 16   | 25  | 506    | 13.97  | 11230  | 4.32   |
| SN74LS175NE4     | N            | PDIP         | 16   | 25  | 506    | 13.97  | 11230  | 4.32   |
| SN74S175D        | D            | SOIC         | 16   | 40  | 507    | 8      | 3940   | 4.32   |
| SN74S175N        | N            | PDIP         | 16   | 25  | 506    | 13.97  | 11230  | 4.32   |
| SN74S175N        | N            | PDIP         | 16   | 25  | 506    | 13.97  | 11230  | 4.32   |
| SNJ54LS174FK     | FK           | LCCC         | 20   | 55  | 506.98 | 12.06  | 2030   | NA     |
| SNJ54LS174W      | W            | CFP          | 16   | 25  | 506.98 | 26.16  | 6220   | NA     |
| SNJ54LS175FK     | FK           | LCCC         | 20   | 55  | 506.98 | 12.06  | 2030   | NA     |
| SNJ54LS175W      | W            | CFP          | 16   | 25  | 506.98 | 26.16  | 6220   | NA     |

## IMPORTANT NOTICE AND DISCLAIMER

TI PROVIDES TECHNICAL AND RELIABILITY DATA (INCLUDING DATA SHEETS), DESIGN RESOURCES (INCLUDING REFERENCE DESIGNS), APPLICATION OR OTHER DESIGN ADVICE, WEB TOOLS, SAFETY INFORMATION, AND OTHER RESOURCES "AS IS" AND WITH ALL FAULTS, AND DISCLAIMS ALL WARRANTIES, EXPRESS AND IMPLIED, INCLUDING WITHOUT LIMITATION ANY IMPLIED WARRANTIES OF MERCHANTABILITY, FITNESS FOR A PARTICULAR PURPOSE OR NON-INFRINGEMENT OF THIRD PARTY INTELLECTUAL PROPERTY RIGHTS.

These resources are intended for skilled developers designing with TI products. You are solely responsible for (1) selecting the appropriate TI products for your application, (2) designing, validating and testing your application, and (3) ensuring your application meets applicable standards, and any other safety, security, regulatory or other requirements.

These resources are subject to change without notice. TI grants you permission to use these resources only for development of an application that uses the TI products described in the resource. Other reproduction and display of these resources is prohibited. No license is granted to any other TI intellectual property right or to any third party intellectual property right. TI disclaims responsibility for, and you will fully indemnify TI and its representatives against, any claims, damages, costs, losses, and liabilities arising out of your use of these resources.

TI's products are provided subject to [TI's Terms of Sale](#) or other applicable terms available either on [ti.com](https://www.ti.com) or provided in conjunction with such TI products. TI's provision of these resources does not expand or otherwise alter TI's applicable warranties or warranty disclaimers for TI products.

TI objects to and rejects any additional or different terms you may have proposed.

Mailing Address: Texas Instruments, Post Office Box 655303, Dallas, Texas 75265  
Copyright © 2024, Texas Instruments Incorporated