

Pin Equivalent Diagrams for the BQ76952, BQ76942, and BQ769142



ABSTRACT

The BQ76952 family of products, which includes the BQ76952, BQ76942, and BQ769142, contain a variety of low voltage, medium voltage, and high voltage pins, many with specialized circuitry. Equivalent diagrams are included for select device pins.

Table of Contents

1 Introduction	2
2 References	9
3 Revision History	9

List of Figures

Figure 1-1. BREG Pin Equivalent Diagram.....	2
Figure 1-2. CHG Pin Equivalent Diagram.....	2
Figure 1-3. BAT and CP1 Pin Equivalent Diagram.....	3
Figure 1-4. DSG Pin Equivalent Diagram.....	3
Figure 1-5. FUSE Pin Equivalent Diagram.....	3
Figure 1-6. LD Pin Equivalent Diagram.....	4
Figure 1-7. Pin Equivalent Diagram for the ALERT, HDQ, CFETOFF, DFETOFF, DCHG, and DDSG Pins.....	4
Figure 1-8. PACK Pin Equivalent Diagram.....	4
Figure 1-9. PCHG Pin Equivalent Diagram.....	5
Figure 1-10. PDSG Pin Equivalent Diagram.....	5
Figure 1-11. REG1 and REG2 Pin Equivalent Diagrams.....	5
Figure 1-12. REG18 Pin Equivalent Diagram.....	6
Figure 1-13. RST_SHUT Pin Equivalent Diagram.....	6
Figure 1-14. SDA and SCL Pin Equivalent Diagrams.....	6
Figure 1-15. SRP and SRN Pin Equivalent Diagrams.....	7
Figure 1-16. TS1 and TS3 Pin Equivalent Diagrams.....	7
Figure 1-17. TS2 Pin Equivalent Diagram.....	7
Figure 1-18. VC0 Pin Equivalent Diagram.....	8
Figure 1-19. Pin Equivalent Diagram for the Cell Input Pins (except for VC0 and the top VC pin).....	8
Figure 1-20. Pin Equivalent Diagram for the Top Cell Input Pin (VC16 for BQ76952, VC14 for BQ769142, VC10 for BQ76942).....	8

Trademarks

All trademarks are the property of their respective owners.

1 Introduction

The pin equivalent diagrams for selected pins are shown below. These diagrams are only for informational purposes and do not include full details of all internal circuitry. Component parameter values shown in the diagrams are only estimates and may not match actual device functionality. The customer should rely upon the device data sheet and the specifications therein for decisions regarding the system design.

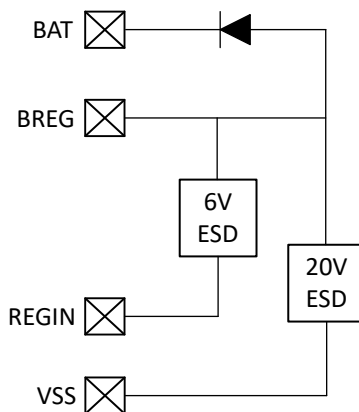


Figure 1-1. BREG Pin Equivalent Diagram

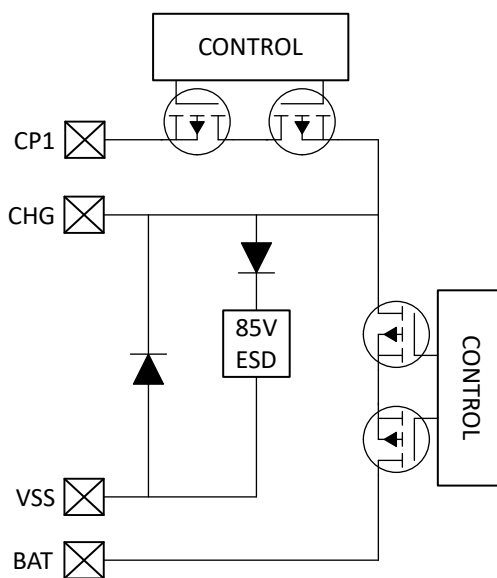


Figure 1-2. CHG Pin Equivalent Diagram

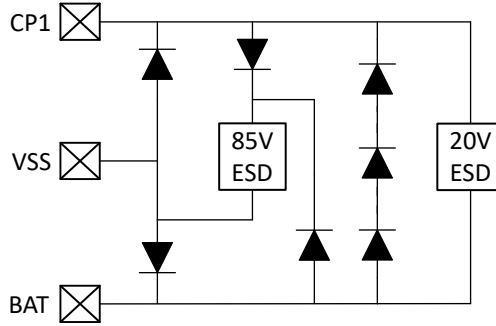


Figure 1-3. BAT and CP1 Pin Equivalent Diagram

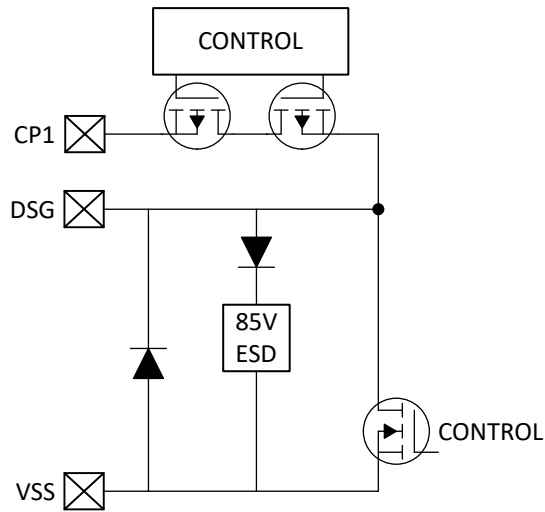


Figure 1-4. DSG Pin Equivalent Diagram

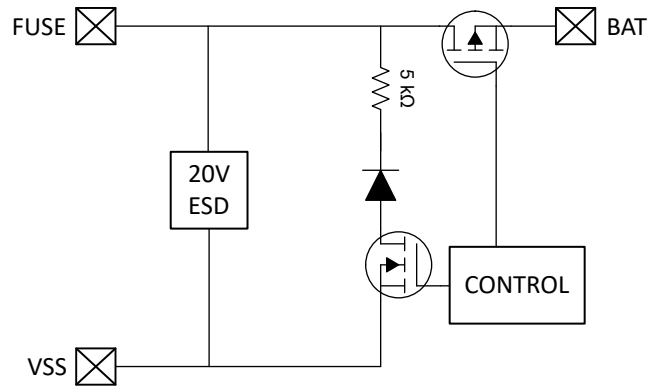


Figure 1-5. FUSE Pin Equivalent Diagram

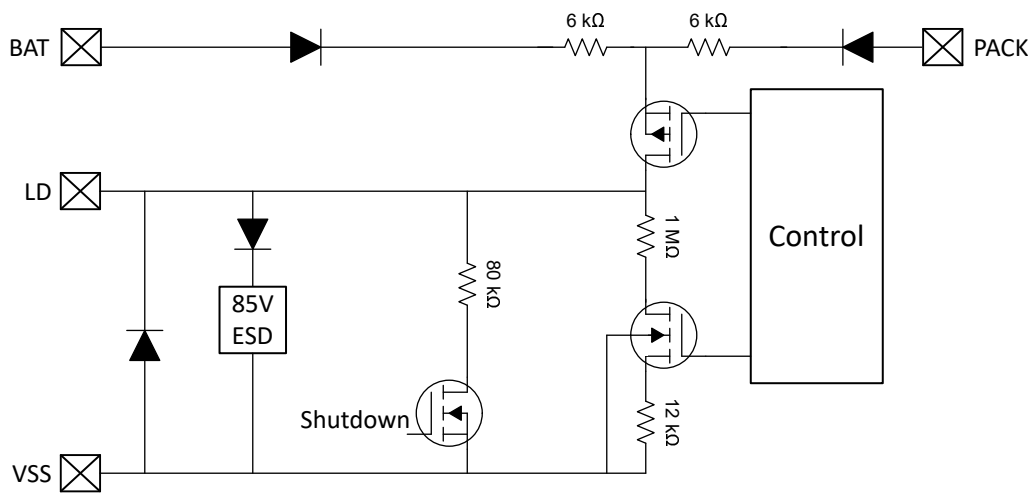


Figure 1-6. LD Pin Equivalent Diagram

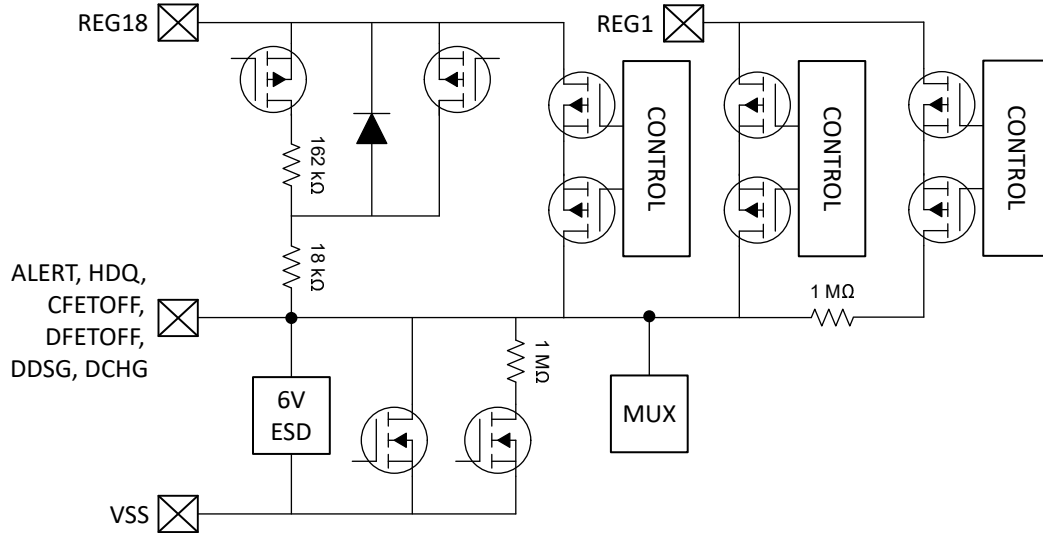


Figure 1-7. Pin Equivalent Diagram for the ALERT, HDQ, CFETOFF, DFETOFF, DCHG, and DDSG Pins

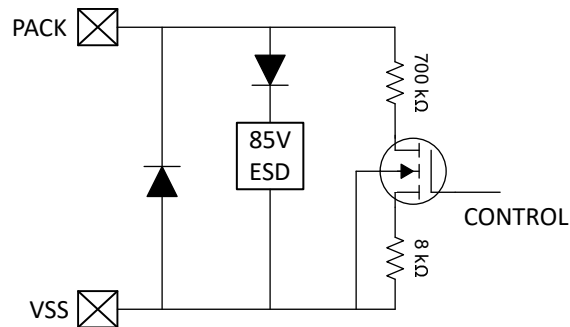


Figure 1-8. PACK Pin Equivalent Diagram

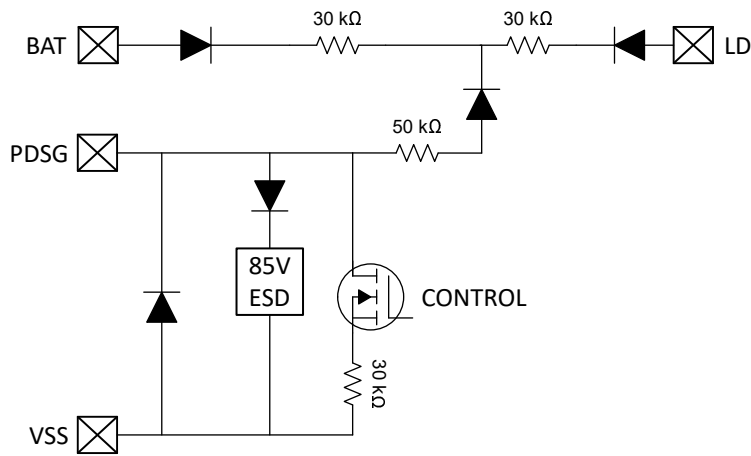


Figure 1-9. PCHG Pin Equivalent Diagram

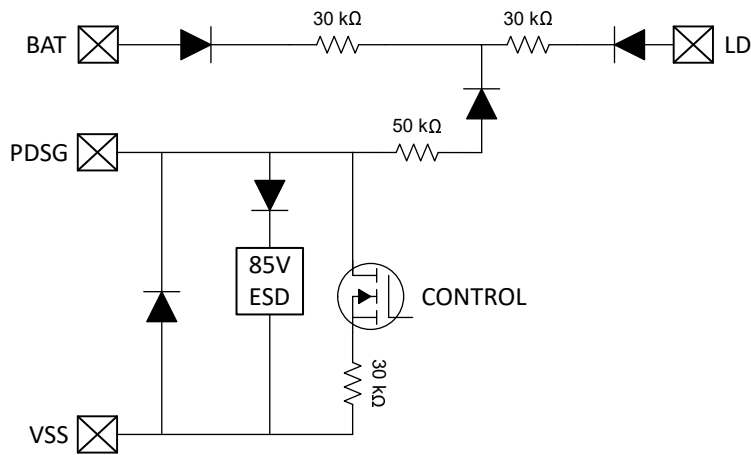


Figure 1-10. PDSG Pin Equivalent Diagram

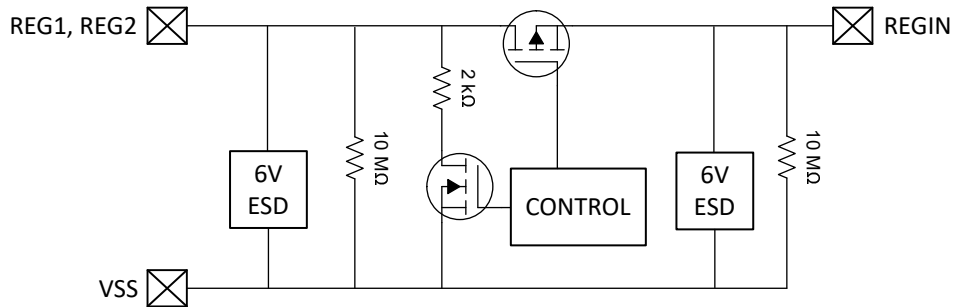


Figure 1-11. REG1 and REG2 Pin Equivalent Diagrams

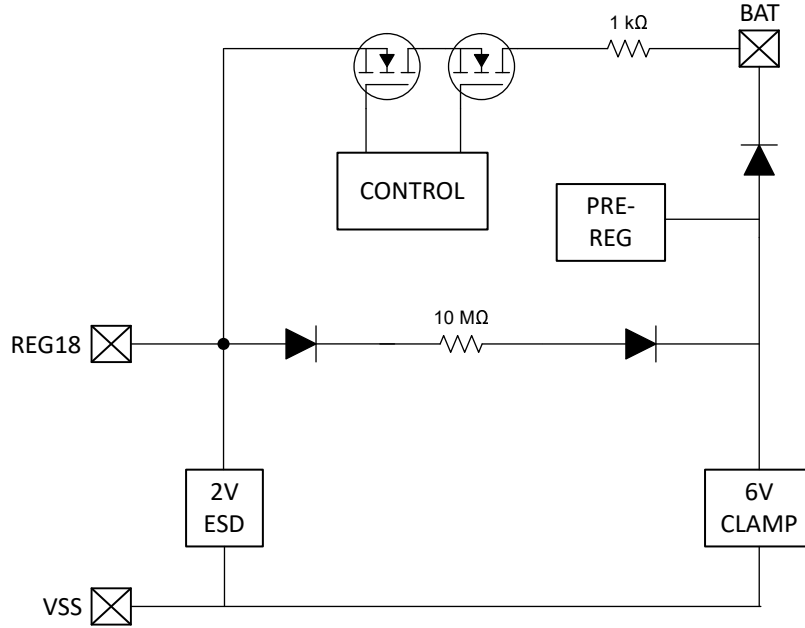


Figure 1-12. REG18 Pin Equivalent Diagram

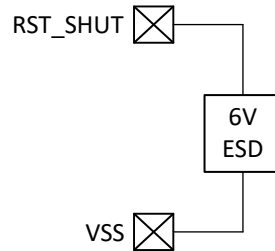


Figure 1-13. RST_SHUT Pin Equivalent Diagram

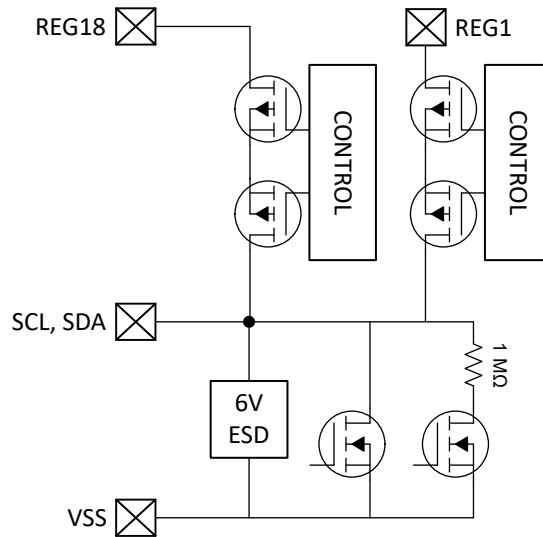


Figure 1-14. SDA and SCL Pin Equivalent Diagrams

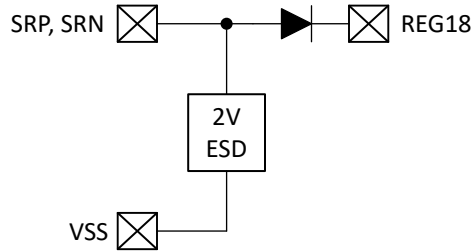


Figure 1-15. SRP and SRN Pin Equivalent Diagrams

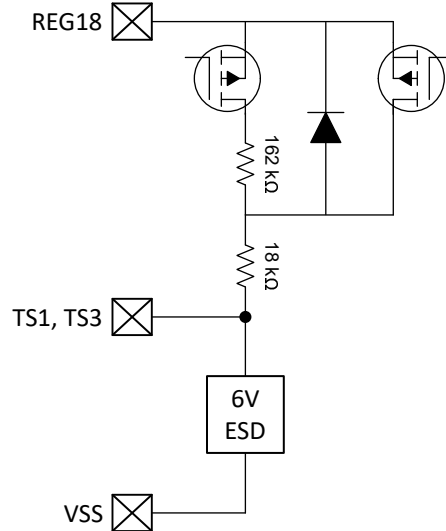


Figure 1-16. TS1 and TS3 Pin Equivalent Diagrams

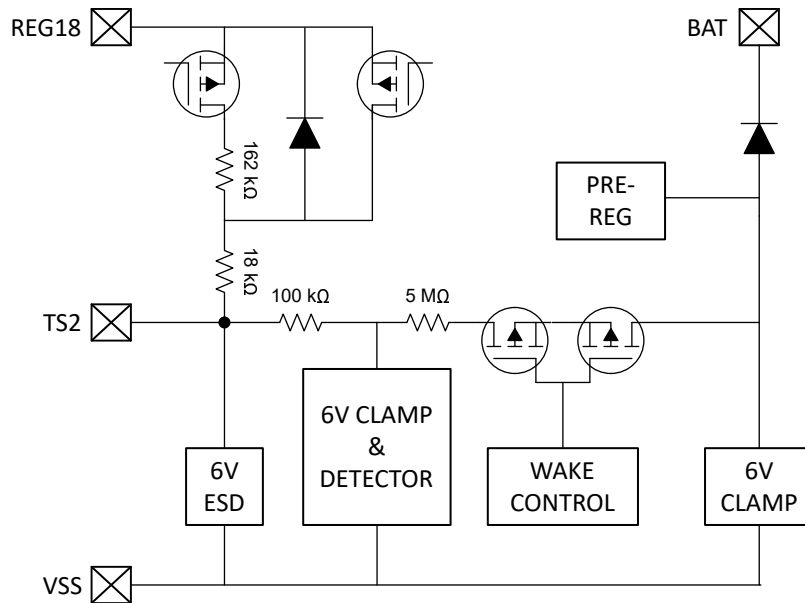


Figure 1-17. TS2 Pin Equivalent Diagram

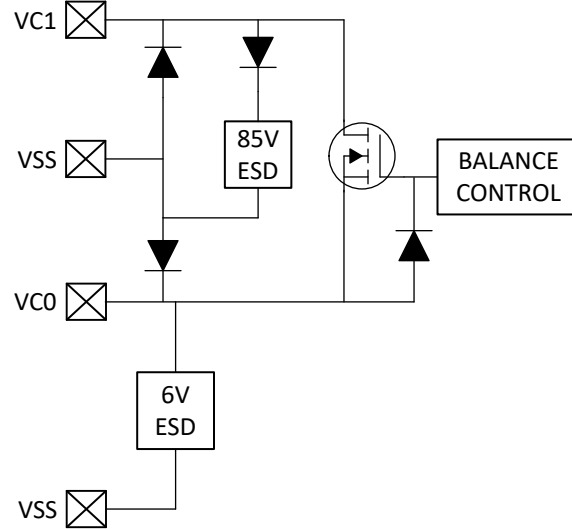


Figure 1-18. VC0 Pin Equivalent Diagram

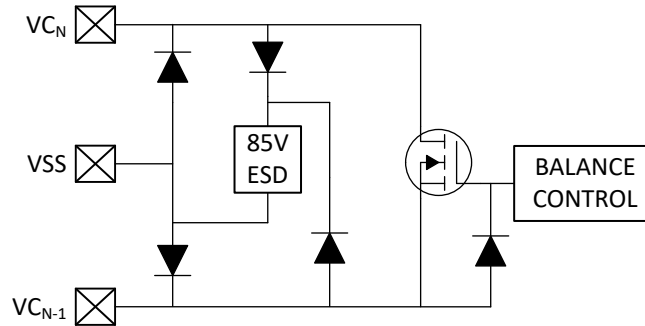


Figure 1-19. Pin Equivalent Diagram for the Cell Input Pins (except for VC0 and the top VC pin)

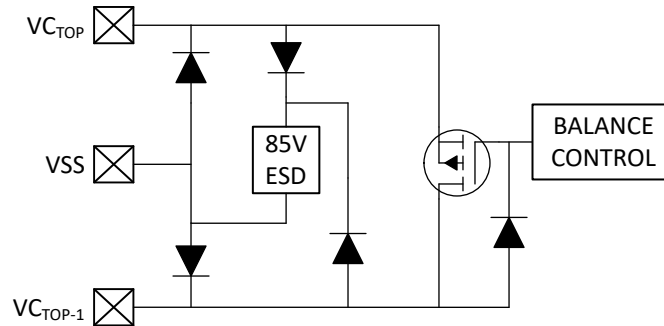


Figure 1-20. Pin Equivalent Diagram for the Top Cell Input Pin (VC16 for BQ76952, VC14 for BQ769142, VC10 for BQ76942)

2 References

For additional information, see the following related documents:

- [BQ76952 3S-16S Battery Monitor and Protector Data Sheet](#)
- [BQ76952 Technical Reference Manual](#)
- [BQ76952 Evaluation Module User's Guide](#)
- [BQ769142 3S-14S Battery Monitor and Protector Data Sheet](#)
- [BQ769142 Technical Reference Manual](#)
- [BQ76942 3S-10S Battery Monitor and Protector Data Sheet](#)
- [BQ76942 Technical Reference Manual](#)

3 Revision History

DATE	REVISION	NOTES
May 2021	*	Initial Release

IMPORTANT NOTICE AND DISCLAIMER

TI PROVIDES TECHNICAL AND RELIABILITY DATA (INCLUDING DATA SHEETS), DESIGN RESOURCES (INCLUDING REFERENCE DESIGNS), APPLICATION OR OTHER DESIGN ADVICE, WEB TOOLS, SAFETY INFORMATION, AND OTHER RESOURCES "AS IS" AND WITH ALL FAULTS, AND DISCLAIMS ALL WARRANTIES, EXPRESS AND IMPLIED, INCLUDING WITHOUT LIMITATION ANY IMPLIED WARRANTIES OF MERCHANTABILITY, FITNESS FOR A PARTICULAR PURPOSE OR NON-INFRINGEMENT OF THIRD PARTY INTELLECTUAL PROPERTY RIGHTS.

These resources are intended for skilled developers designing with TI products. You are solely responsible for (1) selecting the appropriate TI products for your application, (2) designing, validating and testing your application, and (3) ensuring your application meets applicable standards, and any other safety, security, regulatory or other requirements.

These resources are subject to change without notice. TI grants you permission to use these resources only for development of an application that uses the TI products described in the resource. Other reproduction and display of these resources is prohibited. No license is granted to any other TI intellectual property right or to any third party intellectual property right. TI disclaims responsibility for, and you will fully indemnify TI and its representatives against, any claims, damages, costs, losses, and liabilities arising out of your use of these resources.

TI's products are provided subject to [TI's Terms of Sale](#) or other applicable terms available either on ti.com or provided in conjunction with such TI products. TI's provision of these resources does not expand or otherwise alter TI's applicable warranties or warranty disclaimers for TI products.

TI objects to and rejects any additional or different terms you may have proposed.

Mailing Address: Texas Instruments, Post Office Box 655303, Dallas, Texas 75265
Copyright © 2022, Texas Instruments Incorporated