

# ***Use of an LDO as a Load Switch for Space Applications***

Hollis Liu, Hector Torres and Javier Valle

## **ABSTRACT**

This application note highlights the similarities and differences of function and architecture between load switches and low-dropout (LDO) regulators. It analyzes and provides a specific configuration to use the [TPS7H1101A-SP](#) space rated low dropout linear regulator as a load switch and presents data using this configuration.

## **Contents**

1	Introduction .....	2
2	Setup .....	3
3	Results .....	3
4	Current Limit .....	7
5	Conclusions.....	8
6	References .....	9

## **List of Figures**

1	Typical Load Switch (left) and LDO (right) Block Diagrams.....	2
2	EVM Modifications Used to Test the TPS7H1101A-SP as a Load Switch.....	3
3	Dropout Voltage Measurements Across Load and Temperature.....	4
4	On-State Resistance Across Load and Temperature .....	4
5	3-A Step Response.....	5
6	Soft Start Behavior With No Load .....	6
7	Soft Start Behavior With a 3-A Load .....	6
8	Lack of Soft Start Behavior at 3 A Load with FB Pin Grounded.....	7
9	Current Limit Test. The Device Was Programmed With a Current Limit of About 4 A. Current Foldback Feature Can Be Observed.....	8

## **List of Tables**

## **Trademarks**

All trademarks are the property of their respective owners.

# 1 Introduction

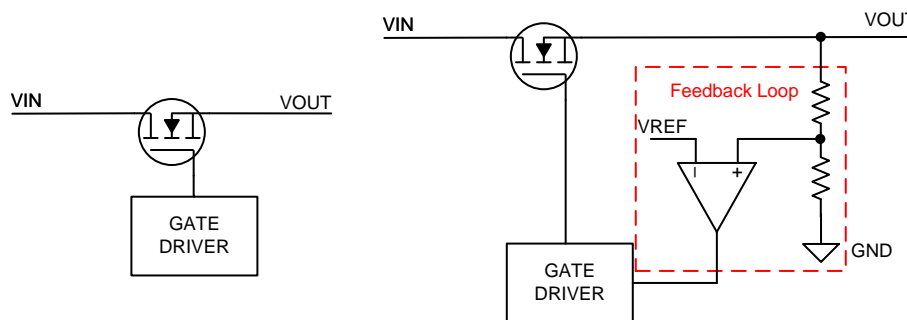
The load switch is usually used in the power path to control whether the power supply and load be connected by an external enable or disable signal. When the device is enabled via the enable pin, the pass FET turns on, thereby allowing current to flow from the input pin to the output pin, and power is passed to the downstream circuitry. Essentially, most of the load switches have the same structure, a pass FET plus a driver circuit connected to the FET's gate to turn on or turn off the pass FET.

The pass FET is the main component of the load switch, which determines the maximum input voltage and maximum load current the load switch can handle. The on-resistance of the load switch is a characteristic of the pass FET and will be used in calculating the power dissipated by the load switch [1]. The type of the pass FET determines the architecture of the load switch. A NMOS load switch requires a charge pump to bring the gate voltage above the source voltage which is usually the  $V_{in}$ , while the PMOS based architecture doesn't need that. However, the NMOS has a better performance when the input voltage is low.

In some advanced load switches, there are some other features, such as soft start to avoid inrush current, over-temperature shutdown, current limiting to protect device or programmable fault timer for automatic restart of the device after a fault.

A load switch has some similarities with a LDO as both make usage of a large pass transistor. However, the LDO provides regulation of the output voltage while the load switch does not. In a standard LDO application, the input voltage is larger than the regulated output voltage. In this condition, the LDO regulates normally due to the feedback loop. Even though an LDO is not originally intended or optimized to be used as a load switch, due to their similarities, the LDO could be used as a load switch. However, the LDO has to be set out of regulation mode, in other words, set it in dropout mode [4].

Figure 1 shows a basic topology comparison between an LDO and a load switch. From this figure we notice that the main difference is the feedback loop part of the LDO. When the LDO regulates, the feedback loop adjusts the  $V_{gs}$  value in response to changes in the output voltage. However, in this application where an LDO is being used as a load switch, the LDO is forced to be in dropout mode so that the feedback loop is not active (no regulation) and only the gate drive is present.



**Figure 1. Typical Load Switch (left) and LDO (right) Block Diagrams**

In this application note, we focus on the TPS7H1101A-SP, a space rated LDO, used as a load switch. The TPS7H1101A-SP is a very low minimum input voltage (1.5 – 7  $V_{IN}$ ), 3-A linear regulator. Some of the features of this device are enable pin, soft start, power good, thermal shutdown, current limit and output current sensing. All these features are also applicable and desired in load switch applications.

## 2 Setup

The TPS7H1101SPEVM was used to test this application. Figure 2 shows a schematic of the configuration.

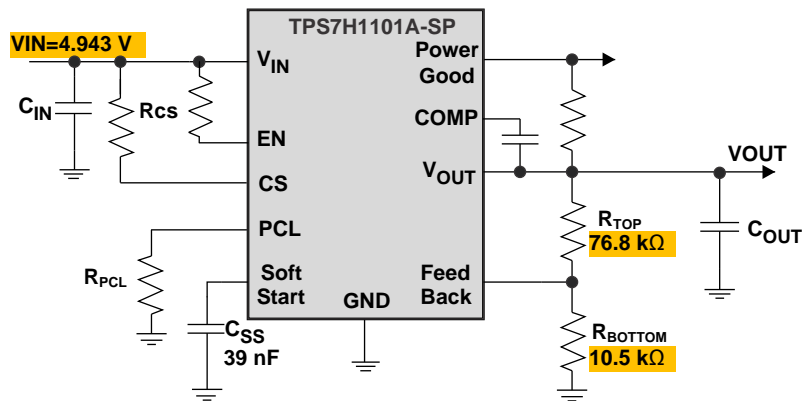


Figure 2. EVM Modifications Used to Test the TPS7H1101A-SP as a Load Switch

In normal operation of LDO, the desired output voltage is calculated using Equation 1 where the typical value for  $V_{FB} = 0.605$  V. In this case,  $V_{IN} - V_{OUT} > V_{DROP\_MAX}$  allows the LDO to regulate normally.

$$V_{OUT\_IDEAL} = \frac{(R_{TOP} + R_{BOTTOM}) \times V_{FB}}{R_{BOTTOM}}$$

(1)

As mentioned earlier, to be used as a load switch, the LDO needs to be set in dropout mode and there are 2 options for this. The first option as mentioned in the E2E post [4] is to connect the feedback pin to ground. The downside of this option is that the soft start feature of this device is no longer present as the feedback is not able to track the reference voltage. The second option is to set the ideal output of the LDO slightly larger than the input voltage to stop the feedback loop from taking over but still allowing the feedback to track the reference at startup or when the LDO is enabled. A typical dropout value for the TPS7H1101A-SP is 210 mV at a 3-A load and therefore, setting the input voltage 50 mV lower than the output voltage would work for this purpose.

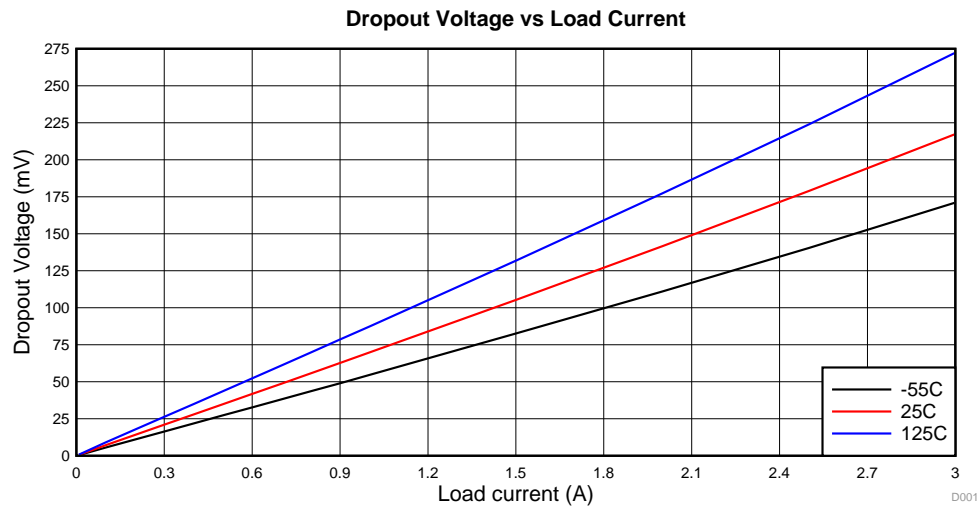
For this particular test, the feedback resistors shown in Figure 2 provide a  $V_{OUT} = 5.03$  V theoretically, while the measured  $V_{OUT}$  value is actually 4.993 V. Therefore, in order to set the LDO in dropout mode, the input voltage is set to 4.943 V (50 mV below the measured output voltage). This way the LDO will operate as a load switch without feedback loop.

## 3 Results

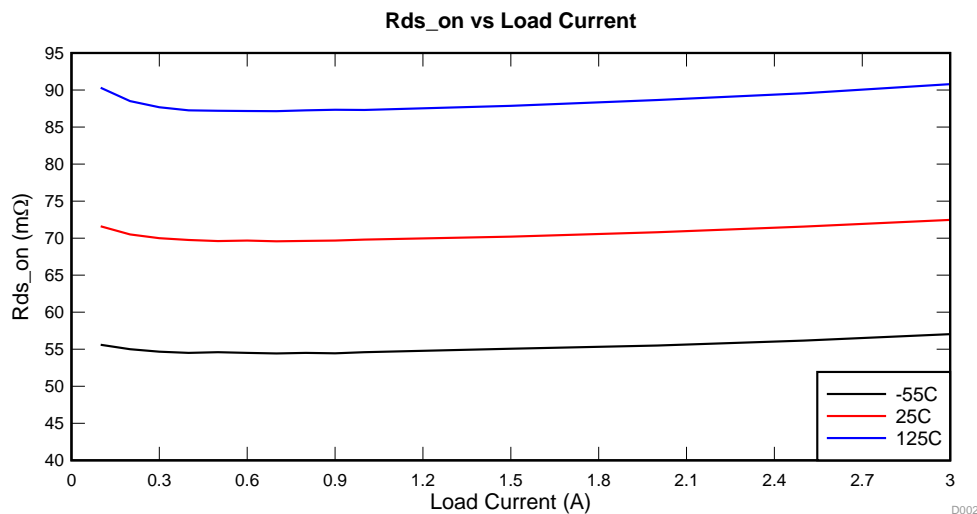
Due to their typical different applications, load switches usually have lower FET on-resistance than LDOs. For this specific application of the TPS7H1101A-SP, the dropout and load step measurements can help us evaluate the on-resistance. As mentioned above, the soft start function is highly desired in load switches to minimize inrush current so it will be tested for this specific application as well. The results of these tests follow.

### 3.1 Dropout Test

The curves in Figure 3 show the dropout voltage of the pass MOSFET as a function of the load current across temperature. The slope of the curves is the  $R_{DS\_ON}$  as shown in Figure 4. It can be observed how the maximum  $R_{DS\_ON}$  is 90 mΩ under worst conditions. A thermal stream was used for the temperature measurements and an electronic load was used for the dropout voltage measurements.



**Figure 3. Dropout Voltage Measurements Across Load and Temperature**



**Figure 4. On-State Resistance Across Load and Temperature**

From [Figure 4](#), it can be concluded that the fairly linear behavior of the MOSFET  $R_{DS\_ON}$  indicates how the device is behaving like a resistor as intended.

### 3.2 Load Step Response

A resistive load was used to perform load step testing. [Figure 5](#) shows a 3-A load step response performed at room temperature. It can be observed that the dropout is about 200 mV agreeing with the 25°C curve shown in [Figure 5](#).

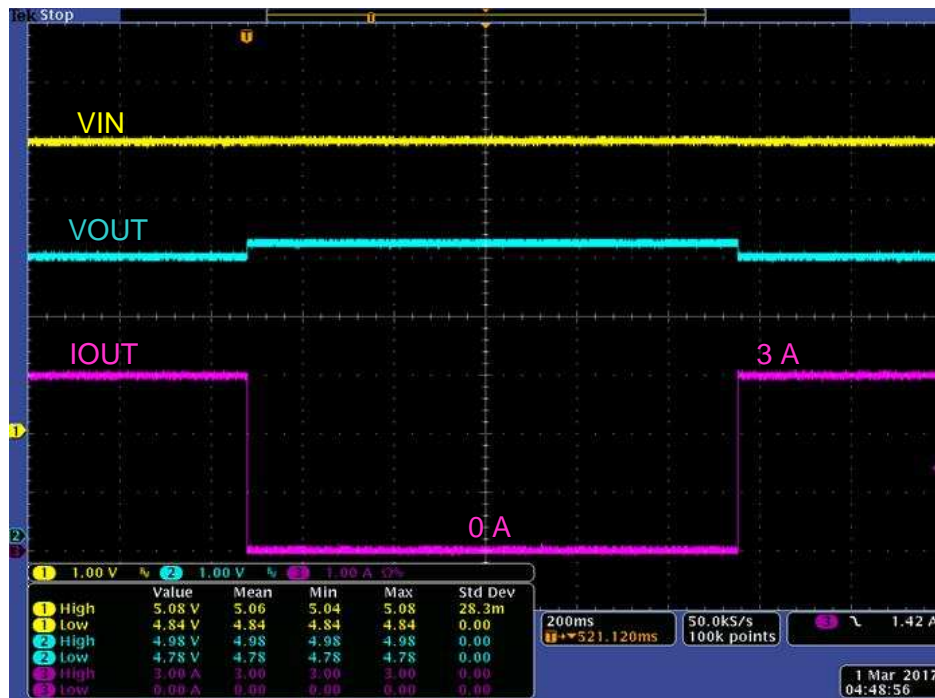


Figure 5. 3-A Step Response

### 3.3 Soft Start

A very important feature in load switches is the soft start capability to avoid large inrush currents. Figure 6 and Figure 7 show the soft start function of the LDO as load switch at room temperature. The soft start capacitor size is 39 nF, which corresponds to a theoretical soft start time of about 9.4 ms based on Equation 2 where the typical values of  $I_{SS}$  and  $V_{FB}$  are 2.5  $\mu$ A and 0.605 V.

$$t_{ss} = \frac{C_{ss} \times I_{ss}}{V_{FB}}$$

(2)



Figure 6. Soft Start Behavior With No Load

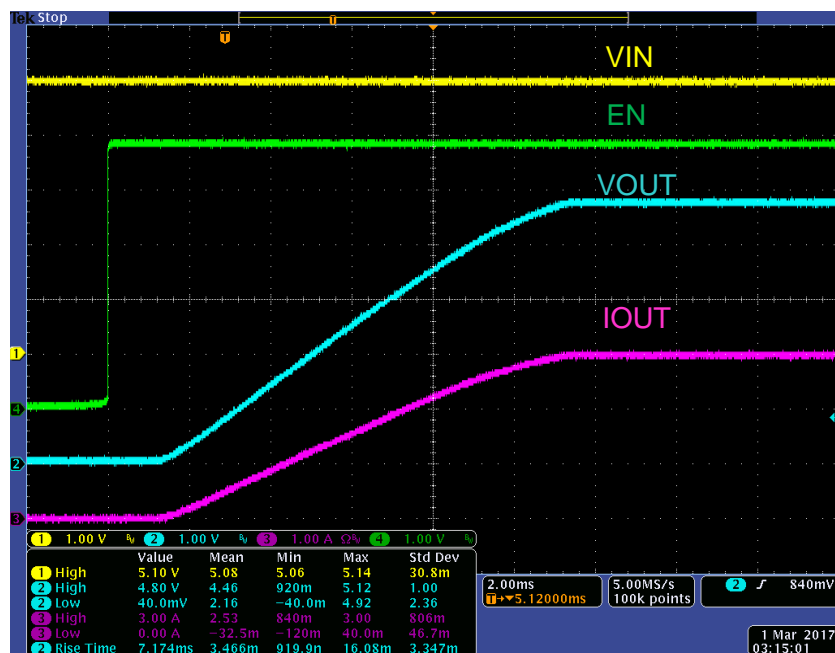


Figure 7. Soft Start Behavior With a 3-A Load

As mentioned earlier, grounding the feedback pin would not allow the LDO as a load switch to use the soft start feature. Figure 8 below shows how the soft start of about 7.2 ms in Figure 7 is no longer present if the feedback pin is grounded.

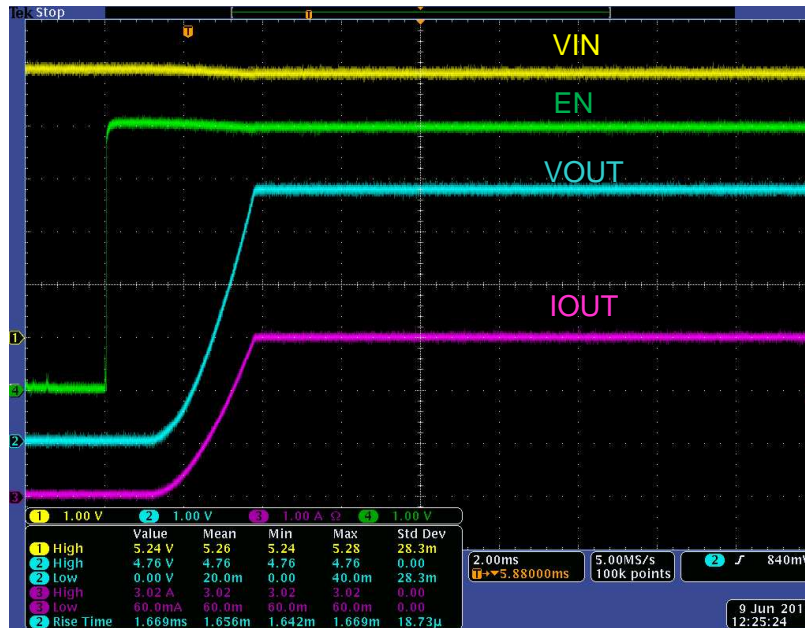


Figure 8. Lack of Soft Start Behavior at 3 A Load with FB Pin Grounded

#### 4 Current Limit

Another important feature of load switches is the current limit feature. The TPS7H1101A-SP offers this feature and when used as load switch the feature can be used. In addition to current limit, the TPS7H1101A-SP offers current foldback. This feature takes place once current limit is triggered and remains there while the output starts drooping. After the output voltage falls below an internal threshold value, the output current will foldback to approximately half the programmed current limit as described in the [TPS7H1101A-SP](#) data sheet. At this point, the output of the LDO, or load switch in this case, will collapse to a few hundred mV. [Figure 9](#) below shows this application with a programmed current limit of about 4 A. The current foldback (about 2 A) and the output reaching ground can be observed as well. This is a very important protection feature of the LDO as a load switch.

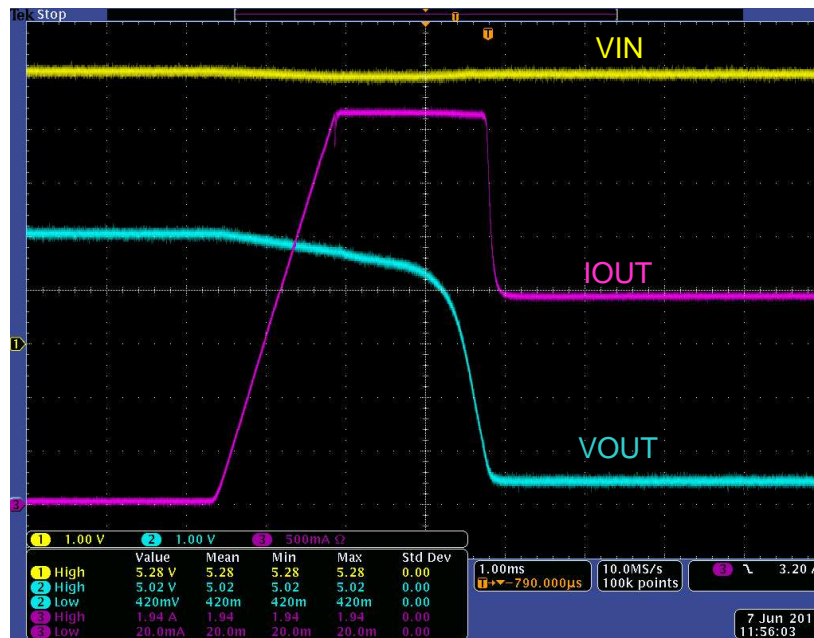


Figure 9. Current Limit Test. The Device Was Programmed With a Current Limit of About 4 A. Current Foldback Feature Can Be Observed

## 5 Conclusions

This application note has successfully demonstrated how to use the TPS7H1101A-SP as a load switch and presented testing data for critical parameters and features of a typical load switch. Ideally, a device designed merely for load switch applications would be able to provide lower  $R_{DS\_ON}$  as well as additional features. However, this application note intends to highlight an additional usage of the TPS7H1101A-SP that could be useful for certain applications.



## 6 References

- (1) *Basics of Load Switches*, [SLVA652](#)
- (2) *Understanding Low Drop Out (LDO) Regulators*, [SLUP239](#)
- (3) TPS7H1101A-SP Data Sheet, [SLVSDW6](#)
- (4) "How to use an LDO as a load switch", [E2E Post](#)

## IMPORTANT NOTICE FOR TI DESIGN INFORMATION AND RESOURCES

Texas Instruments Incorporated ("TI") technical, application or other design advice, services or information, including, but not limited to, reference designs and materials relating to evaluation modules, (collectively, "TI Resources") are intended to assist designers who are developing applications that incorporate TI products; by downloading, accessing or using any particular TI Resource in any way, you (individually or, if you are acting on behalf of a company, your company) agree to use it solely for this purpose and subject to the terms of this Notice.

TI's provision of TI Resources does not expand or otherwise alter TI's applicable published warranties or warranty disclaimers for TI products, and no additional obligations or liabilities arise from TI providing such TI Resources. TI reserves the right to make corrections, enhancements, improvements and other changes to its TI Resources.

You understand and agree that you remain responsible for using your independent analysis, evaluation and judgment in designing your applications and that you have full and exclusive responsibility to assure the safety of your applications and compliance of your applications (and of all TI products used in or for your applications) with all applicable regulations, laws and other applicable requirements. You represent that, with respect to your applications, you have all the necessary expertise to create and implement safeguards that (1) anticipate dangerous consequences of failures, (2) monitor failures and their consequences, and (3) lessen the likelihood of failures that might cause harm and take appropriate actions. You agree that prior to using or distributing any applications that include TI products, you will thoroughly test such applications and the functionality of such TI products as used in such applications. TI has not conducted any testing other than that specifically described in the published documentation for a particular TI Resource.

You are authorized to use, copy and modify any individual TI Resource only in connection with the development of applications that include the TI product(s) identified in such TI Resource. NO OTHER LICENSE, EXPRESS OR IMPLIED, BY ESTOPPEL OR OTHERWISE TO ANY OTHER TI INTELLECTUAL PROPERTY RIGHT, AND NO LICENSE TO ANY TECHNOLOGY OR INTELLECTUAL PROPERTY RIGHT OF TI OR ANY THIRD PARTY IS GRANTED HEREIN, including but not limited to any patent right, copyright, mask work right, or other intellectual property right relating to any combination, machine, or process in which TI products or services are used. Information regarding or referencing third-party products or services does not constitute a license to use such products or services, or a warranty or endorsement thereof. Use of TI Resources may require a license from a third party under the patents or other intellectual property of the third party, or a license from TI under the patents or other intellectual property of TI.

TI RESOURCES ARE PROVIDED "AS IS" AND WITH ALL FAULTS. TI DISCLAIMS ALL OTHER WARRANTIES OR REPRESENTATIONS, EXPRESS OR IMPLIED, REGARDING TI RESOURCES OR USE THEREOF, INCLUDING BUT NOT LIMITED TO ACCURACY OR COMPLETENESS, TITLE, ANY EPIDEMIC FAILURE WARRANTY AND ANY IMPLIED WARRANTIES OF MERCHANTABILITY, FITNESS FOR A PARTICULAR PURPOSE, AND NON-INFRINGEMENT OF ANY THIRD PARTY INTELLECTUAL PROPERTY RIGHTS.

TI SHALL NOT BE LIABLE FOR AND SHALL NOT DEFEND OR INDEMNIFY YOU AGAINST ANY CLAIM, INCLUDING BUT NOT LIMITED TO ANY INFRINGEMENT CLAIM THAT RELATES TO OR IS BASED ON ANY COMBINATION OF PRODUCTS EVEN IF DESCRIBED IN TI RESOURCES OR OTHERWISE. IN NO EVENT SHALL TI BE LIABLE FOR ANY ACTUAL, DIRECT, SPECIAL, COLLATERAL, INDIRECT, PUNITIVE, INCIDENTAL, CONSEQUENTIAL OR EXEMPLARY DAMAGES IN CONNECTION WITH OR ARISING OUT OF TI RESOURCES OR USE THEREOF, AND REGARDLESS OF WHETHER TI HAS BEEN ADVISED OF THE POSSIBILITY OF SUCH DAMAGES.

You agree to fully indemnify TI and its representatives against any damages, costs, losses, and/or liabilities arising out of your non-compliance with the terms and provisions of this Notice.

This Notice applies to TI Resources. Additional terms apply to the use and purchase of certain types of materials, TI products and services. These include; without limitation, TI's standard terms for semiconductor products (<http://www.ti.com/sc/docs/stdterms.htm>), [evaluation modules](#), and [samples](http://www.ti.com/sc/docs/sampterm.htm) (<http://www.ti.com/sc/docs/sampterm.htm>).

Mailing Address: Texas Instruments, Post Office Box 655303, Dallas, Texas 75265  
Copyright © 2018, Texas Instruments Incorporated