

AN-2094 LM3481 SEPIC Evaluation Board

1 Introduction

The LM3481 SEPIC evaluation board is designed to provide the design engineer with a fully functional power converter solution with two output voltage options. It produces a selectable output voltage of 12 V at 1.25A or 5V at 3A. The switching frequency for the converter is set to 500 kHz. The printed circuit board consists of 2 layers of FR4 material with 2 ounce copper on both layers. This document contains the evaluation board schematics, bill-of-materials (BOM) and a quick setup procedure. For complete circuit design information, see the *LM3481/LM3481Q High Efficiency Low-Side N-Channel Controller for Switching Regulators Data Sheet* ([SNVS346](#)).

The performance of the evaluation board is as follows:

5V Output Voltage Option:

| | |
|---------------------|--------------------|
| Input Voltage Range | : 4.5V to 25V |
| Output Voltage | : 5V \pm 2% |
| Output Current | : 0A to 3A |
| Switching Frequency | : 500 kHz |
| Load Regulation | : 0.1% |
| Board Size | : 2.4 x 1.8 inches |

12V Output Voltage Option:

| | |
|---------------------|--------------------|
| Input Voltage Range | : 4.5V to 18V |
| Output Voltage | : 12V \pm 2% |
| Output Current | : 0A to 1.25A |
| Switching Frequency | : 500 kHz |
| Load Regulation | : 0.1% |
| Board Size | : 2.4 x 1.8 inches |

2 Powering and Loading Considerations

Read this entire page prior to attempting to power the evaluation board.

2.1 Quick Setup Procedure

1. Use an input power supply with at least 5A current capability. Connect the positive output of the power supply to the V_{IN} terminal P1. Connect the negative output of the power supply to the input GND terminal P2.
2. Connect a load with 3A capability to the V_{OUT} terminal P3 and GND terminal P4.
3. To set the output voltage to 5V, the J2 jumper should be out. If the desired output voltage is 12V, the J2 jumper should be in.
4. Set V_{IN} to 12V with no load being applied. Turn on the input power supply. Once the input voltage is applied, the output voltage should be in regulation.
5. Adjust the input voltage and load current and set as desired while making sure that they are in range as described above.

Note: Do not change jumper settings while the board is powered on.

3 Connection Diagram

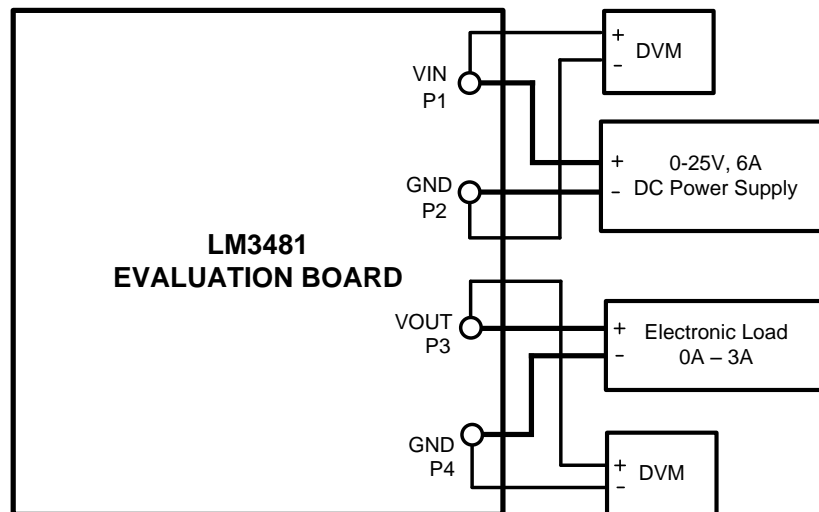


Figure 1. Basic Test Setup for the LM3481 SEPIC Evaluation Board

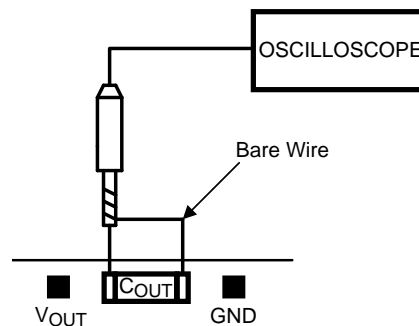


Figure 2. Output Voltage Ripple Measurement Setup

4 Board Configuration

4.1 Output Voltage Option

A jumper has been provided on the evaluation board in order to select the output voltage option of 12V or 5V. Shorting the jumper sets the output voltage to 12V. Leaving the jumper open will set the output voltage to 5V.

4.2 Under-Voltage Lock-Out (UVLO)

The LM3481 evaluation board has a resistor divider connected to the UVLO pin to set the on and off thresholds to 4.25V and 4.05V, respectively. There is also a jumper J1 on the board that provides the 'Enable' feature. If the jumper is open, the board will not produce an output voltage.

4.3 Output Voltage Ripple

Output voltage ripple measurement should be taken directly across the output capacitor C12 between terminals P3 and P4. Care must be taken to minimize the loop area between the scope probe tip and the ground lead in order to minimize noise in the measurement. This can be achieved by removing the probe's spring tip and ground lead and then wrap a bare wire around the scope probe shaft. The bare wire should be in contact with the probe shaft since this is the ground lead for the probe. The measurement can be taken by connecting the bare wire onto the ground side of the capacitor and the probe tip onto the positive side of the capacitor. [Figure 2](#) shows a diagram of this measurement technique.

4.4 External Clock Synchronization

A SYNC terminal has been provided on the evaluation board in order to synchronize the converter to an external clock or other fixed frequency signal. For complete information on setting up the external clock, see the *LM3481/LM3481Q High Efficiency Low-Side N-Channel Controller for Switching Regulators Data Sheet* ([SNVS346](#)).

4.5 Active Loads

Many constant-current types of active loads can exhibit an initial short circuit, which is sustained well beyond the normal soft-start cycle. To avoid loss of regulation of the output voltage during current limit during startup, wait until the output voltage is up before turning on the load. Using an active load with a constant-resistance mode will avoid this startup timing issue.

4.6 SEPIC Operation and Advantages

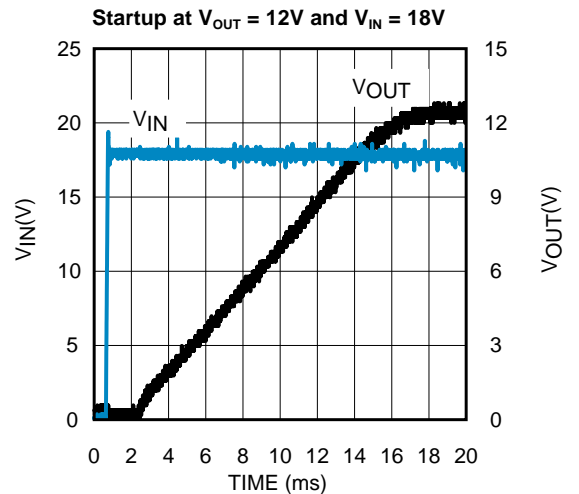
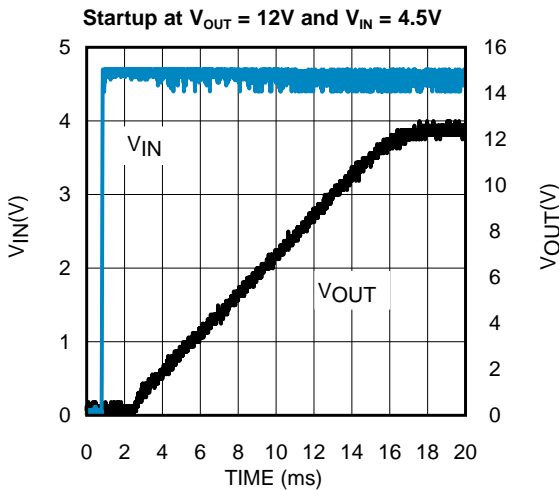
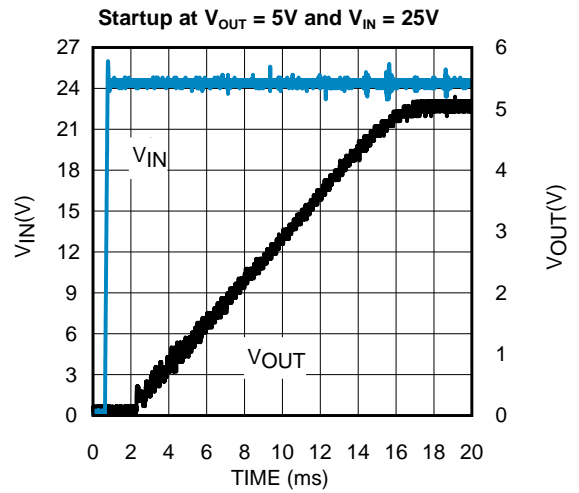
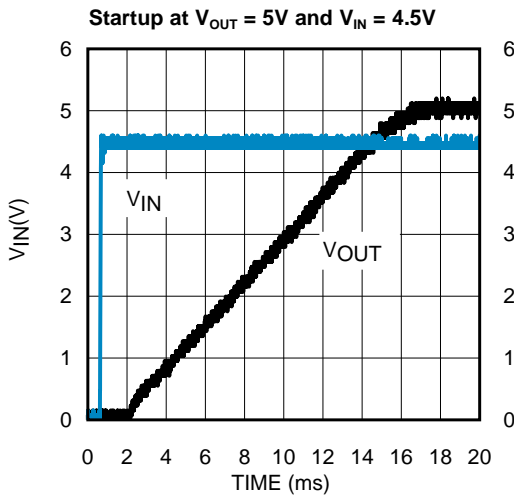
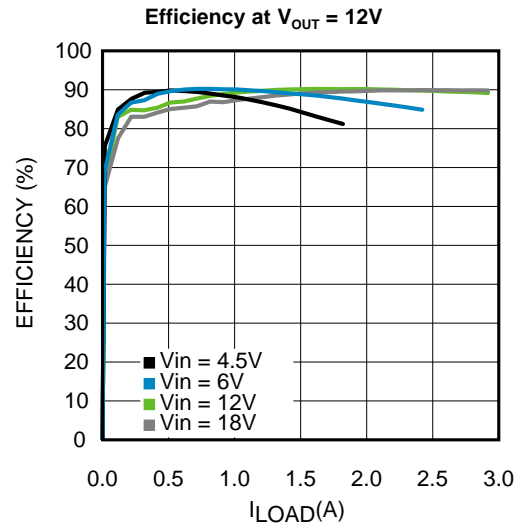
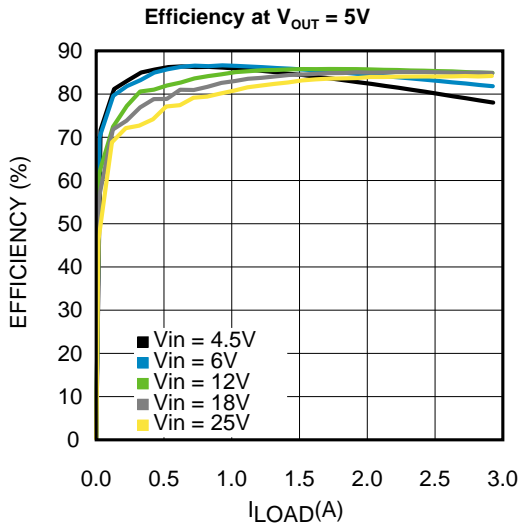
The Single Ended Primary Inductance Converter (SEPIC) is a DC-DC converter that allows the output voltage to be either higher than or lower than the input voltage. The SEPIC capacitor is charged to a voltage potential of approximately V_{IN} . This capacitor acts as an AC short placing the two coils of the inductor in parallel. The duty cycle relationship and operation is similar to that of the Buck-Boost. During the on-time of the MOSFET a voltage of V_{IN} is applied across the mutual inductor. During the off-time of MOSFET, the mutual inductor voltage flies to V_{OUT} refreshing the charge on the output capacitor. Since the SEPIC capacitor is charged to V_{IN} , the voltage across the MOSFET is $V_{IN} + V_{OUT}$. Additionally, the current through the MOSFET is $I_{IN} + I_{OUT}$.

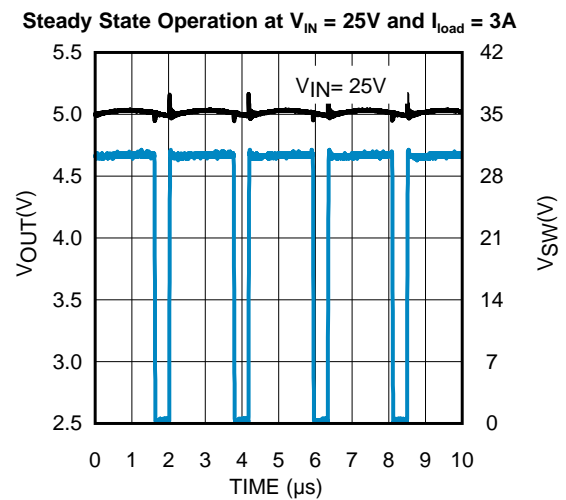
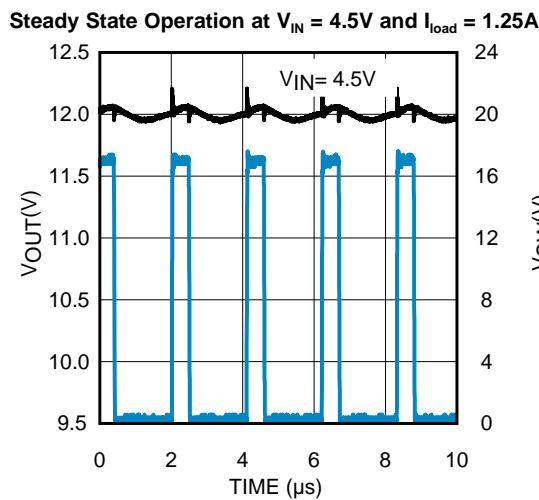
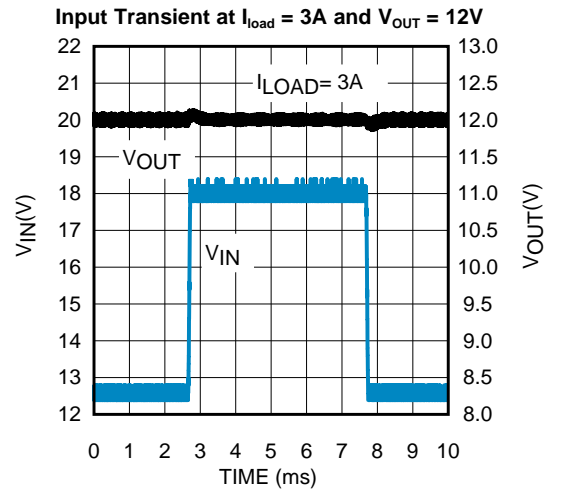
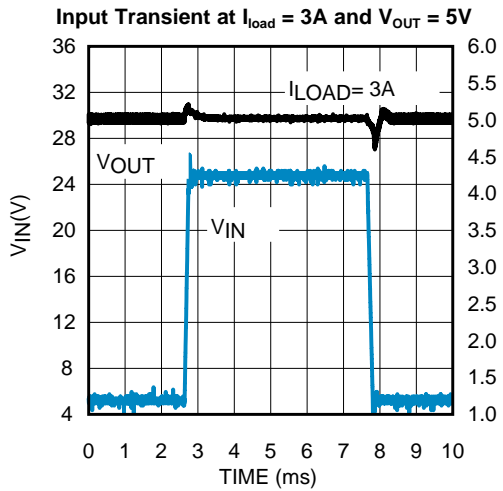
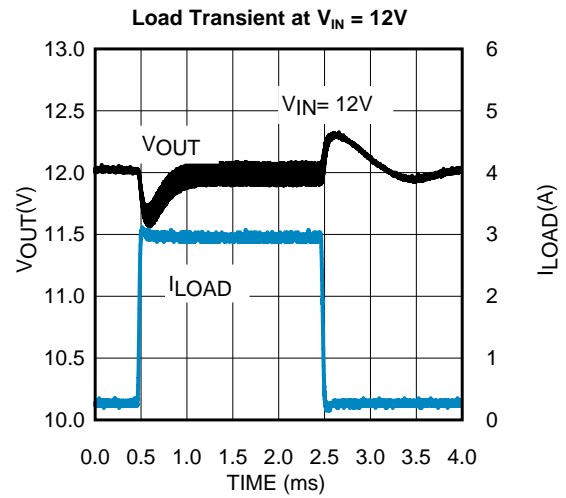
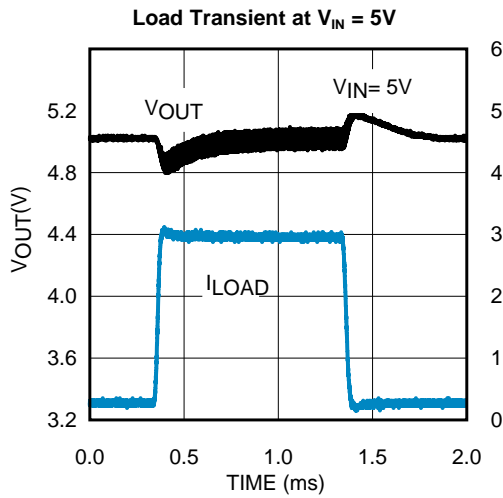
The SEPIC has quite a few advantages over the inverting Buck-Boost and the Flyback topology. The power MOSFET and the diode voltages in the Flyback topology are unclamped and are largely functions of the transformer leakage inductance and the stray capacitance. This causes large voltage spikes at the switching intervals. Compared to this for the SEPIC topology the MOSFET and the diode are clamped by the output and blocking capacitors and thus there is little circuit ringing. The SEPIC also has a common ground, unlike the Buck-Boost topology, which makes the input and output voltage sensing very easy.

4.7 Momentary Overload or Short Circuit Protection

In case of an overload or a short circuit event, the voltage across the sense resistor would increase beyond 220 mV. This would then activate the short circuit current limit and limit the switching frequency by a factor of 8 while the event exists. In case of a prolonged overload/short circuit event, the large currents would cause the junction temperatures of the MOSFET and the diode to increase significantly and potentially cause thermal failure.

5 Typical Performance Characteristics





6 Evaluation Board Schematic

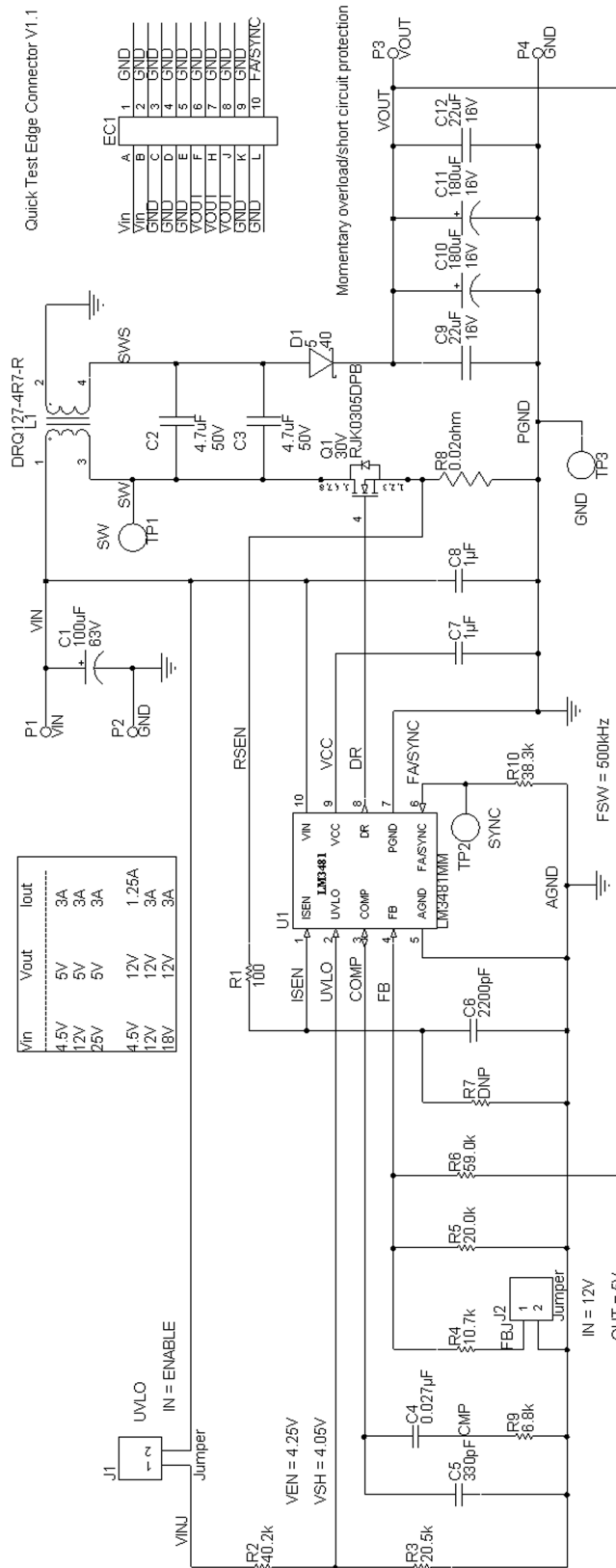


Figure 3. LM3481 Evaluation Board Schematic

Table 1. LM3481 Bill of Materials (BOM)

| Qty | Designator | Value | Package | Description | Manufacturer | Part Number |
|-----|----------------|---------------|----------|---|----------------------|------------------|
| 1 | C1 | 100 μ F | | Polarized Capacitor, 63V, 10% | Sanyo | 63CV100KX |
| 2 | C2, C3 | 4.7 μ F | 1812 | Ceramic, X7R, 50V, 10% | MuRata | C4532X7R1H475M |
| 1 | C4 | 0.027 μ F | 0603 | Ceramic, X7R, 100V, 10% | Kemet | C0603C273K1RACTU |
| 1 | C5 | 100 pF | 0603 | Ceramic, X7R, 100V, 10% | AVX | 06031C331KAT2A |
| 1 | C6 | 4700 pF | 0603 | Ceramic, X7R, 100V, 10% | AVX | 06031C222KAT2A |
| 1 | C7 | 2200 pF | 0603 | Ceramic, X7R, 16V, 10% | TDK | C1608X7R1C105K |
| 1 | C8 | 1000 pF | 1206 | Ceramic, X7R, 50V, 10% | TDK | C3216X7R1H105K |
| 2 | C9, C12 | 22 μ F | 1812 | Ceramic, X7R, 20V, 20% | TDK | C4532X7R1C226M |
| 2 | C10, C11 | 180 μ F | | Electrolytic capacitor | Sanyo | 16SVP180M |
| 1 | D1 | | SMC | Schottky Diode, 40V | Central Semi | CMSH5-40 |
| 2 | J1, J2 | | | Through Hole Jumpers | Sullins Electronics | PBC02SAAN |
| 1 | L1 | 4.7 μ H | | Coupled Inductor, 8.25A | Cooper | DRQ127-4R7-R |
| 4 | P1, P2, P3, P4 | | | Terminal, Turret, TH | Keystone Electronics | 1598-2 |
| 1 | Q1 | | PowerPAK | N Channel MOSFET, 30V | Vishay | Si7386DP |
| 1 | R1 | 100 ohm | 0603 | RES, 1%, 0.1W | Vishay-Dale | CRCW0603100RFKEA |
| 1 | R2 | 40.2k ohm | 0603 | RES, 1%, 0.1W | Vishay-Dale | CRCW060340K2FKEA |
| 1 | R3 | 20.5k ohm | 0603 | RES, 1%, 0.1W | Vishay-Dale | CRCW060320K5FKEA |
| 1 | R4 | 10.7k ohm | 0603 | RES, 1%, 0.1W | Vishay-Dale | CRCW060310K7FKEA |
| 1 | R5 | 20.0k ohm | 0603 | RES, 1%, 0.1W | Vishay-Dale | CRCW060320K0FKEA |
| 1 | R6 | 59.0k ohm | 0603 | RES, 1%, 0.1W | Vishay-Dale | CRCW060359K0FKEA |
| 1 | R7 | DNP | | Resistor | | DNP Resistor |
| 1 | R8 | 20m ohm | | RES, 1%, 1W | Vishay-Dale | WSL2512R0200FEA |
| 1 | R9 | 6.8k ohm | 0603 | RES, 5%, 0.1W | Vishay-Dale | CRCW06036K80JNEA |
| 1 | R10 | 38.3k ohm | 0603 | RES, 1%, 0.1W | Vishay-Dale | CRCW060338K3FKEA |
| 3 | TP1, TP2, TP3 | | | Through Hole Test Point, Miniature, White | Keystone Electronics | 5002 |
| 1 | U1 | | VSSOP | Low-Side N-Channel Controller | Texas Instruments | LM3481 |

7 PCB Layout

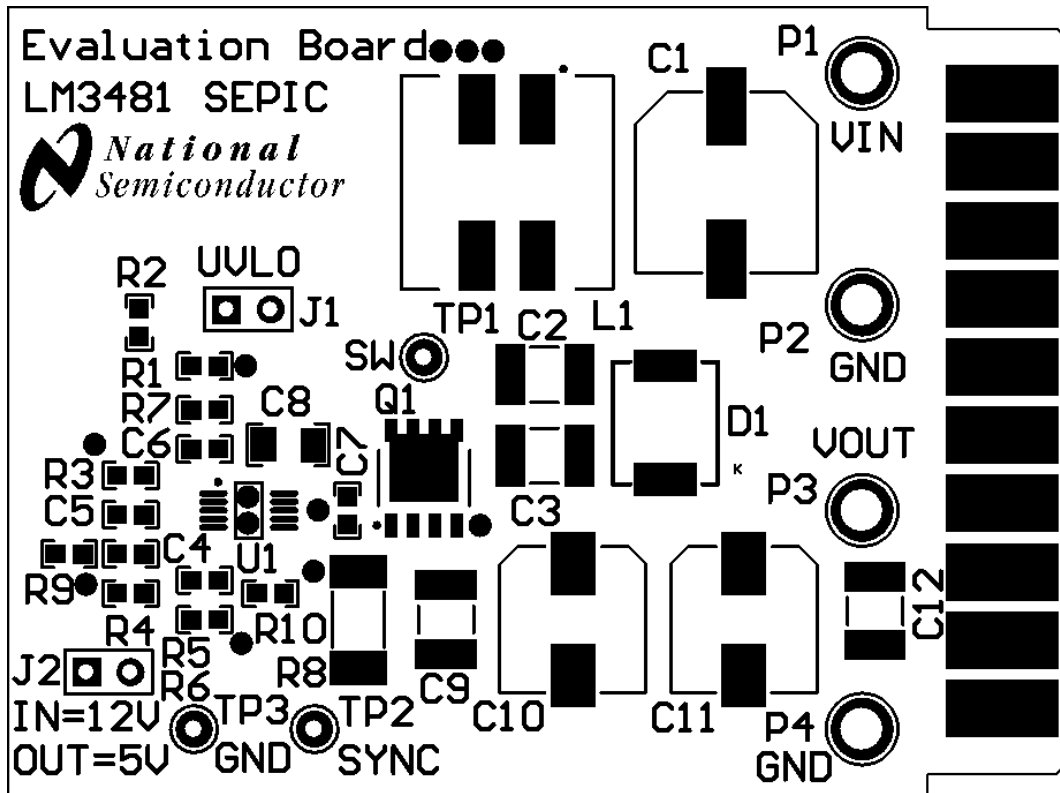


Figure 4. Top Layer Components and Overlay

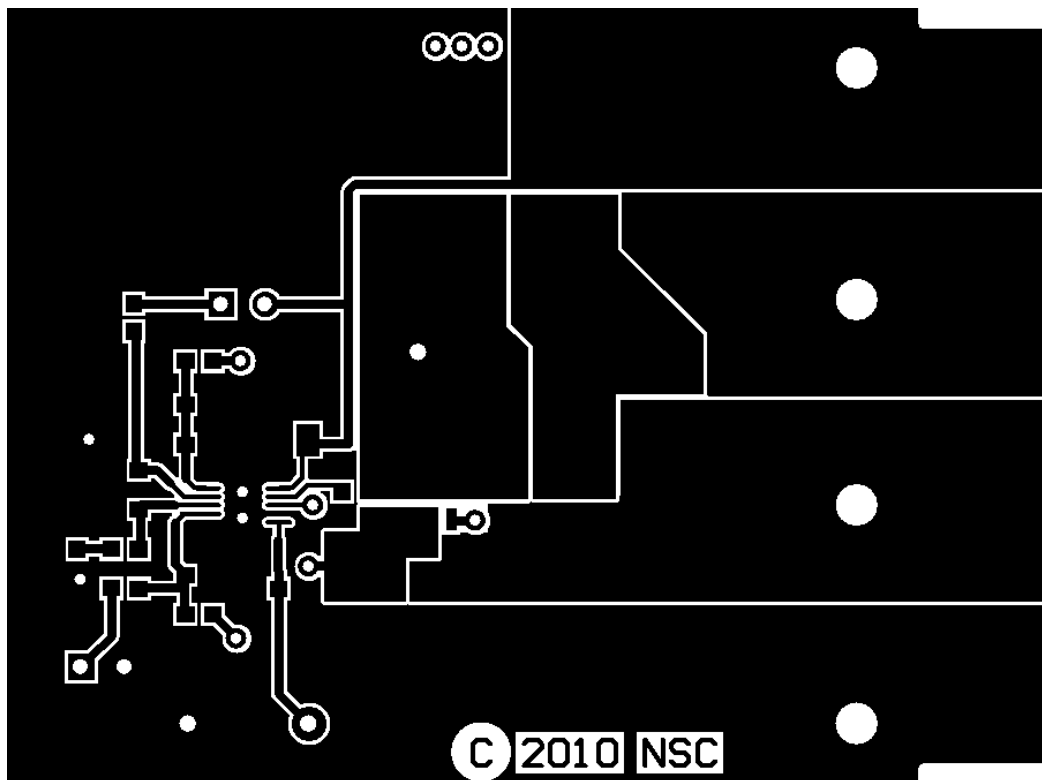


Figure 5. Top Layer Copper

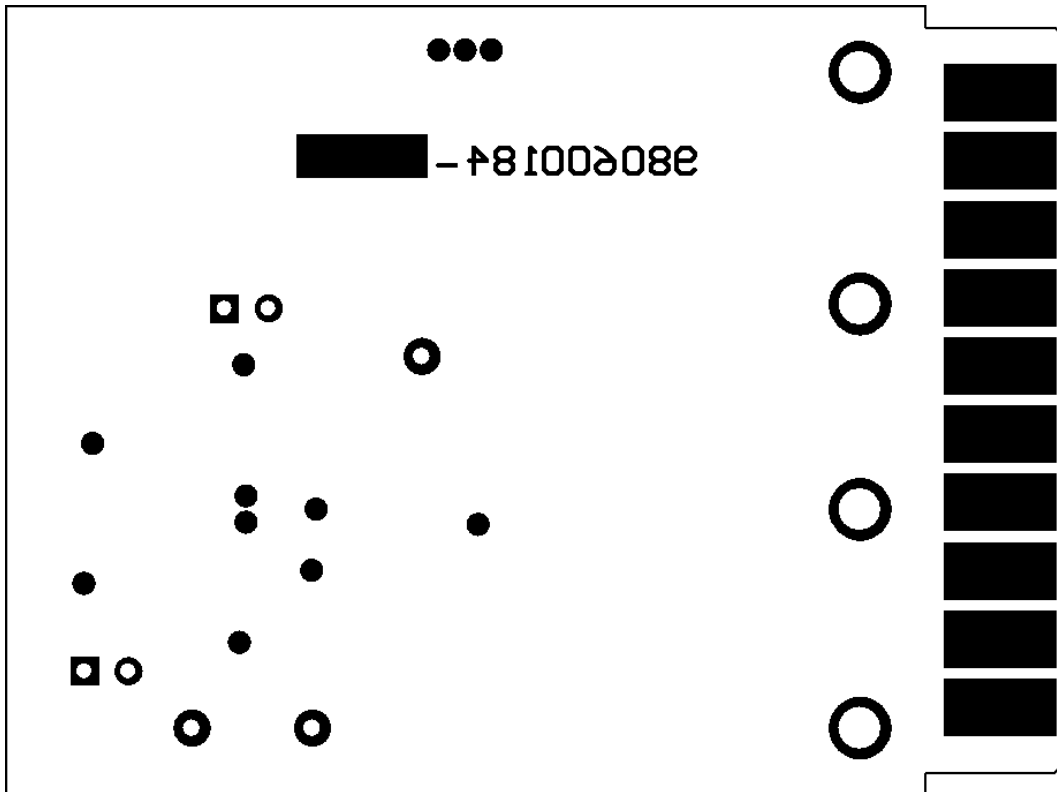


Figure 6. Bottom Overlay

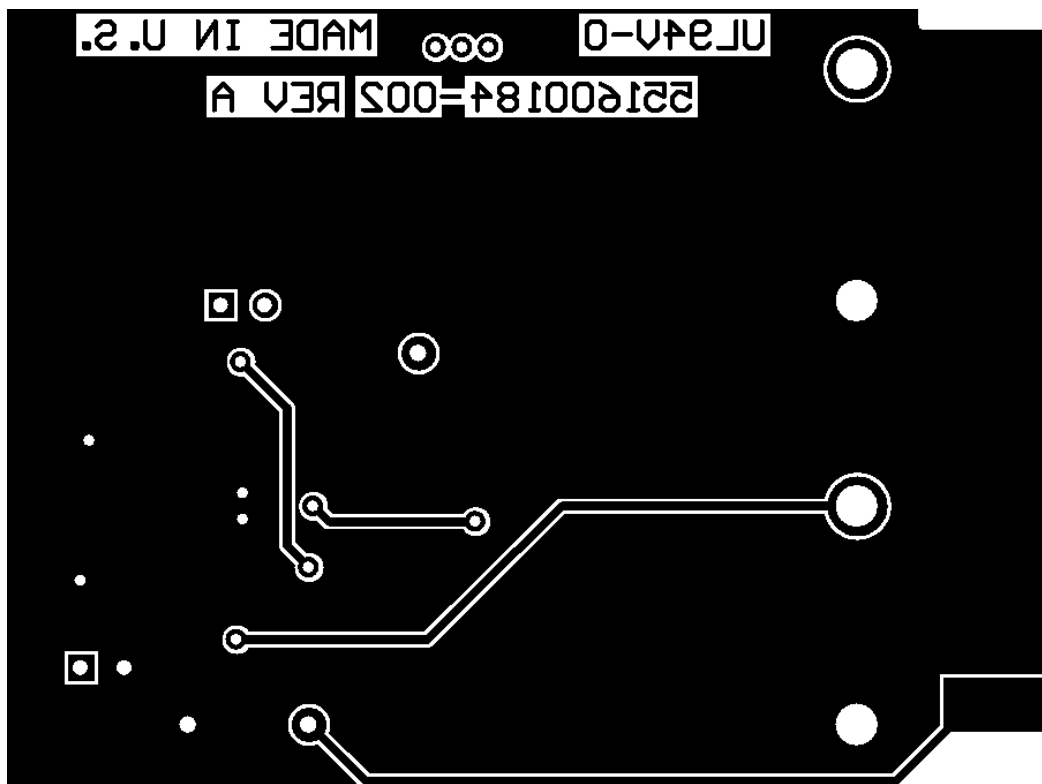


Figure 7. Bottom Layer Copper

IMPORTANT NOTICE

Texas Instruments Incorporated and its subsidiaries (TI) reserve the right to make corrections, enhancements, improvements and other changes to its semiconductor products and services per JESD46, latest issue, and to discontinue any product or service per JESD48, latest issue. Buyers should obtain the latest relevant information before placing orders and should verify that such information is current and complete. All semiconductor products (also referred to herein as "components") are sold subject to TI's terms and conditions of sale supplied at the time of order acknowledgment.

TI warrants performance of its components to the specifications applicable at the time of sale, in accordance with the warranty in TI's terms and conditions of sale of semiconductor products. Testing and other quality control techniques are used to the extent TI deems necessary to support this warranty. Except where mandated by applicable law, testing of all parameters of each component is not necessarily performed.

TI assumes no liability for applications assistance or the design of Buyers' products. Buyers are responsible for their products and applications using TI components. To minimize the risks associated with Buyers' products and applications, Buyers should provide adequate design and operating safeguards.

TI does not warrant or represent that any license, either express or implied, is granted under any patent right, copyright, mask work right, or other intellectual property right relating to any combination, machine, or process in which TI components or services are used. Information published by TI regarding third-party products or services does not constitute a license to use such products or services or a warranty or endorsement thereof. Use of such information may require a license from a third party under the patents or other intellectual property of the third party, or a license from TI under the patents or other intellectual property of TI.

Reproduction of significant portions of TI information in TI data books or data sheets is permissible only if reproduction is without alteration and is accompanied by all associated warranties, conditions, limitations, and notices. TI is not responsible or liable for such altered documentation. Information of third parties may be subject to additional restrictions.

Resale of TI components or services with statements different from or beyond the parameters stated by TI for that component or service voids all express and any implied warranties for the associated TI component or service and is an unfair and deceptive business practice. TI is not responsible or liable for any such statements.

Buyer acknowledges and agrees that it is solely responsible for compliance with all legal, regulatory and safety-related requirements concerning its products, and any use of TI components in its applications, notwithstanding any applications-related information or support that may be provided by TI. Buyer represents and agrees that it has all the necessary expertise to create and implement safeguards which anticipate dangerous consequences of failures, monitor failures and their consequences, lessen the likelihood of failures that might cause harm and take appropriate remedial actions. Buyer will fully indemnify TI and its representatives against any damages arising out of the use of any TI components in safety-critical applications.

In some cases, TI components may be promoted specifically to facilitate safety-related applications. With such components, TI's goal is to help enable customers to design and create their own end-product solutions that meet applicable functional safety standards and requirements. Nonetheless, such components are subject to these terms.

No TI components are authorized for use in FDA Class III (or similar life-critical medical equipment) unless authorized officers of the parties have executed a special agreement specifically governing such use.

Only those TI components which TI has specifically designated as military grade or "enhanced plastic" are designed and intended for use in military/aerospace applications or environments. Buyer acknowledges and agrees that any military or aerospace use of TI components which have **not** been so designated is solely at the Buyer's risk, and that Buyer is solely responsible for compliance with all legal and regulatory requirements in connection with such use.

TI has specifically designated certain components as meeting ISO/TS16949 requirements, mainly for automotive use. In any case of use of non-designated products, TI will not be responsible for any failure to meet ISO/TS16949.

Products

| | |
|------------------------------|--|
| Audio | www.ti.com/audio |
| Amplifiers | amplifier.ti.com |
| Data Converters | dataconverter.ti.com |
| DLP® Products | www.dlp.com |
| DSP | dsp.ti.com |
| Clocks and Timers | www.ti.com/clocks |
| Interface | interface.ti.com |
| Logic | logic.ti.com |
| Power Mgmt | power.ti.com |
| Microcontrollers | microcontroller.ti.com |
| RFID | www.ti-rfid.com |
| OMAP Applications Processors | www.ti.com/omap |
| Wireless Connectivity | www.ti.com/wirelessconnectivity |

Applications

| | |
|-------------------------------|--|
| Automotive and Transportation | www.ti.com/automotive |
| Communications and Telecom | www.ti.com/communications |
| Computers and Peripherals | www.ti.com/computers |
| Consumer Electronics | www.ti.com/consumer-apps |
| Energy and Lighting | www.ti.com/energy |
| Industrial | www.ti.com/industrial |
| Medical | www.ti.com/medical |
| Security | www.ti.com/security |
| Space, Avionics and Defense | www.ti.com/space-avionics-defense |
| Video and Imaging | www.ti.com/video |

TI E2E Community

e2e.ti.com