



ABSTRACT

This document provides the values for the OTP register bits of LP877021RHBRQ1 part number device.

Table of Contents

1 Introduction	2
2 Register Bits Loaded From OTP Memory	4
3 Revision History	6

List of Tables

Table 1-1. Main OTP Settings for Power Rails.....	2
Table 2-1. Summary of Registers Bits.....	4

Trademarks

All trademarks are the property of their respective owners.

1 Introduction

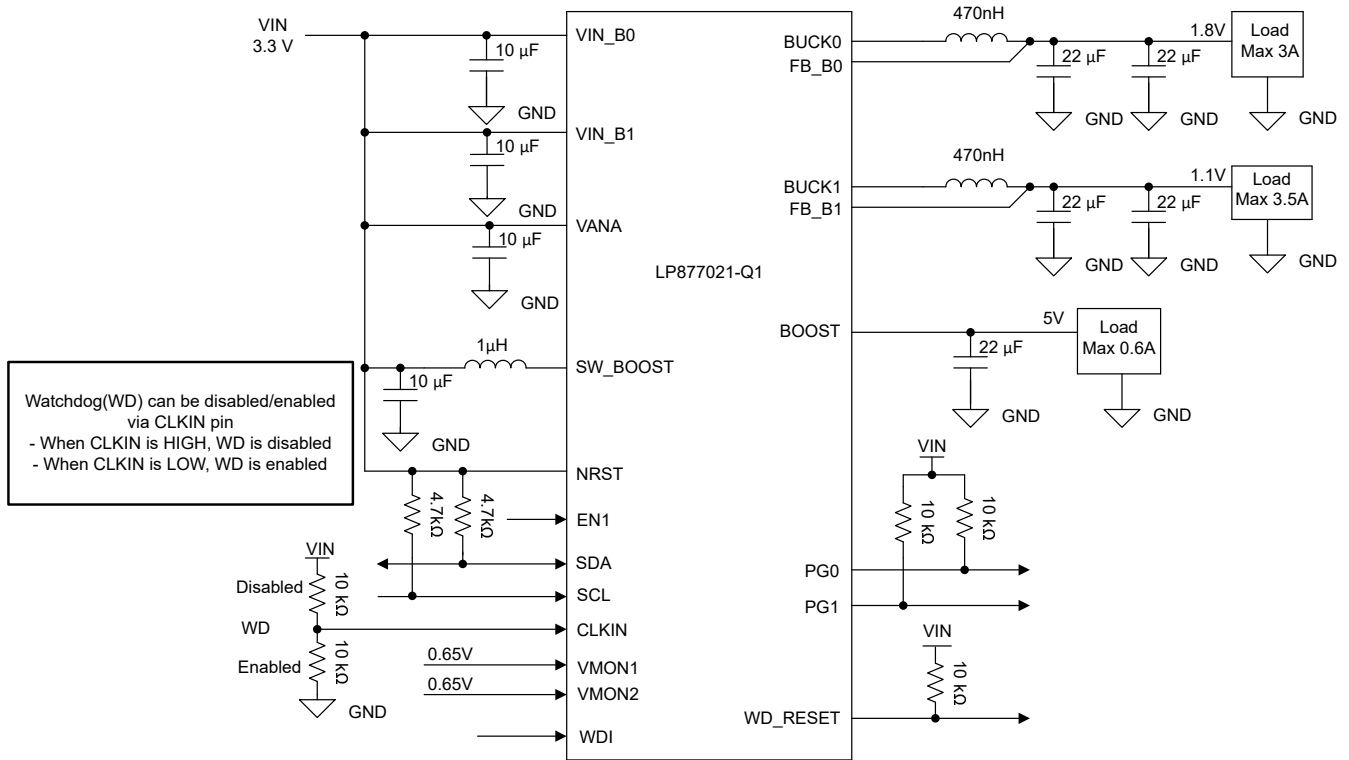
This Technical Reference Manual can be used as a reference for the LP8770-Q1 default register bits after OTP memory download. This Technical Reference Manual does not provide information about the electrical characteristics, external components, package, or the functionality of the device. For this information and the full register map, refer to the [LP87702-Q1 Dual Buck Converter and 5-V Boost With Diagnostic Functions data sheet](#) and [LP877020-Q1 Configuration Guide](#).

Main OTP settings for power rails are listed in [Table 1-1](#). Full list of register bits loaded from OTP memory is shown in [Section 2](#).

Table 1-1. Main OTP Settings for Power Rails

	DESCRIPTION	BIT NAME	LP877021
Device Identification	OTP configuration	OTP_ID	38
	Revision for OTP_ID	OTP_REV	1
BUCK0	Output voltage	BUCK0_VSET	1.8V
	Enable, EN-pin or I ² C register	BUCK0_EN_PIN_CTRL, BUCK0_EN	EN1
	Force PWM	BUCK0_FPWM	Yes
	Peak current limit	BUCK0_ILIM	4 A
	Maximum load current	N/A	3 A
BUCK1	Output voltage	BUCK1_VSET	1.1V
	Enable, EN-pin or I ² C register	BUCK1_EN_PIN_CTRL, BUCK1_EN	EN1
	Force PWM	BUCK1_FPWM	Yes
	Peak current limit	BUCK1_ILIM	4.5 A
	Maximum load current	N/A	3.5 A
BOOST	Mode, boost or bypass	Mode control bit is not in customer register space	Boost
	Output voltage	BOOST_VSET	5 V
	Enable, EN-pin or I ² C register	BOOST_EN_PIN_CTRL, BOOST_EN	NRST
	Peak current limit	BOOST_ILIM0, BOOST_ILIM1	1.4A
	Maximum load current	N/A	0.6 A
VANA	VANA over-voltage threshold	VANA_OVP_SEL (selection bit is not in customer register space)	4.3V rising

There are a few important connections to ensure the LP877021-Q1 is configured correctly. Good example of how to connect the LP877021-Q1 PMIC is shown in [Figure 1-1](#).



Copyright © 2023, Texas Instruments Incorporated

Figure 1-1. Typical Connection to LP877021-Q1

2 Register Bits Loaded From OTP Memory

LP8770-Q1 device includes OTP memory. [Table 2-1](#) lists the register bits that are loaded from the memory during device startup.

Table 2-1. Summary of Registers Bits

Address	Register Name	Bit	LP877021
0x00	DEV_REV	DEVICE_ID[2:0]	0x0
0x01	OTP_CODE	OTP_ID[5:0]	0x38
0x01	OTP_CODE	OTP_REV[1:0]	1
BUCK CONTROL			
0x02	BUCK0_CTRL_1	BUCK0_FPWM_MP	Auto
0x02	BUCK0_CTRL_1	BUCK0_FPWM	PWM
0x02	BUCK0_CTRL_1	BUCK0_EN_PIN_CTRL[1:0]	BUCK0_EN bit AND EN1 pin
0x02	BUCK0_CTRL_1	BUCK0_EN	Enabled
0x03	BUCK0_CTRL_2	BUCK0_ILIM[2:0]	4.0 A
0x03	BUCK0_CTRL_2	BUCK0_SLEW_RATE[2:0]	1.9 mV/μs
0x04	BUCK1_CTRL_1	BUCK1_FPWM	PWM
0x04	BUCK1_CTRL_1	BUCK1_EN_PIN_CTRL[1:0]	BUCK1_EN bit AND EN1 pin
0x04	BUCK1_CTRL_1	BUCK1_EN	Enabled
0x05	BUCK1_CTRL_2	BUCK1_ILIM[2:0]	4.5 A
0x05	BUCK1_CTRL_2	BUCK1_SLEW_RATE[2:0]	1.9 mV/μs
0x06	BUCK0_VOUT	BUCK0_VSET[7:0]	1800 mV
0x07	BUCK1_VOUT	BUCK1_VSET[7:0]	1100 mV
BOOST CONTROL			
0x08	BOOST_CTRL	BOOST_VSET[1:0]	5.0 V
0x08	BOOST_CTRL	BOOST_FPWM	PWM
0x08	BOOST_CTRL	BOOST_EN_PIN_CTRL[1:0]	BOOST_EN bit
0x08	BOOST_CTRL	BOOST_EN	Enabled
STARTUP AND SHUTDOWN DELAYS			
0x09	BUCK0_DELAY	BUCK0_SHUTDOWN_DELAY[3:0]	15 ms
0x09	BUCK0_DELAY	BUCK0_STARTUP_DELAY[3:0]	5 ms
0x0A	BUCK1_DELAY	BUCK1_SHUTDOWN_DELAY[3:0]	5 ms
0x0A	BUCK1_DELAY	BUCK1_STARTUP_DELAY[3:0]	15 ms
0x0B	BOOST_DELAY	BOOST_SHUTDOWN_DELAY[3:0]	0.0 ms
0x0B	BOOST_DELAY	BOOST_STARTUP_DELAY[3:0]	0.0 ms
0x0C	GPO0_DELAY	GPO0_SHUTDOWN_DELAY[3:0]	10 ms
0x0C	GPO0_DELAY	GPO0_STARTUP_DELAY[3:0]	10 ms
0x0D	GPO1_DELAY	GPO1_SHUTDOWN_DELAY[3:0]	0.0 ms
0x0D	GPO1_DELAY	GPO1_STARTUP_DELAY[3:0]	0.0 ms
0x0E	GPO2_DELAY	GPO2_SHUTDOWN_DELAY[3:0]	0.0 ms
0x0E	GPO2_DELAY	GPO2_STARTUP_DELAY[3:0]	0.0 ms
GPO			
0x0F	GPO_CONTROL_1	GPO1_PG1_OD	OD
0x0F	GPO_CONTROL_1	GPO1_EN_PIN_CTRL[1:0]	GPO1_OUT bit
0x0F	GPO_CONTROL_1	GPO1_OUT	Low
0x0F	GPO_CONTROL_1	GPO0_OD	PP
0x0F	GPO_CONTROL_1	GPO0_EN_PIN_CTRL[1:0]	GPO0_OUT bit AND EN1 pin
0x0F	GPO_CONTROL_1	GPO0_OUT	High
0x10	GPO_CONTROL_2	GPO2_SEL	CLKIN
0x10	GPO_CONTROL_2	GPO1_SEL	PG1
0x10	GPO_CONTROL_2	GPO2_OD	OD
0x10	GPO_CONTROL_2	GPO2_EN_PIN_CTRL[1:0]	GPO2_OUT bit
0x10	GPO_CONTROL_2	GPO2_OUT	Low

Table 2-1. Summary of Registers Bits (continued)

Address	Register Name	Bit	LP877021
0x11	CONFIG	STARTUP_DELAY_SEL	0 - 15 ms with 1 ms steps
0x11	CONFIG	SHUTDOWN_DELAY_SEL	0 - 15 ms with 1 ms steps
0x11	CONFIG	CLKIN_PD	Disabled
0x11	CONFIG	EN3_PD	Disabled
0x11	CONFIG	EN2_PD	Disabled
0x11	CONFIG	EN1_PD	Enabled
0x11	CONFIG	TDIE_WARN_LEVEL	140 °C
0x11	CONFIG	EN_SPREAD_SPEC	Enabled
EXTERNAL SYNC CLOCK			
0x12	PLL_CTRL	EN_PLL	Enabled
0x12	PLL_CTRL	EXT_CLK_FREQ[4:0]	1 MHz
POWERGOOD AND MONITORINGS			
0x13	PGOOD_CTRL	PGOOD_WINDOW	Window
0x13	PGOOD_CTRL	EN_PGOOD_VANA	Enabled
0x13	PGOOD_CTRL	EN_PGOOD_VMON2	Enabled
0x13	PGOOD_CTRL	EN_PGOOD_VMON1	Enabled
0x13	PGOOD_CTRL	EN_PGOOD_BOOST	Disabled
0x13	PGOOD_CTRL	EN_PGOOD_BUCK1	Enabled
0x13	PGOOD_CTRL	EN_PGOOD_BUCK0	Enabled
0x14	PGOOD_LEVEL_1	VMON1_WINDOW[1:0]	±4 %
0x14	PGOOD_LEVEL_1	VMON1_THRESHOLD[2:0]	0.65 V
0x15	PGOOD_LEVEL_2	VMON2_WINDOW[1:0]	±4 %
0x15	PGOOD_LEVEL_2	VMON2_THRESHOLD[2:0]	1.8 V
0x15	PGOOD_LEVEL_2	VANA_WINDOW[1:0]	±4 %
0x15	PGOOD_LEVEL_2	VANA_THRESHOLD	3.3 V
0x16	PGOOD_LEVEL_3	BOOST_WINDOW[1:0]	±4 %
0x16	PGOOD_LEVEL_3	BUCK1_WINDOW[1:0]	±50 mV
0x16	PGOOD_LEVEL_3	BUCK0_WINDOW[1:0]	±70 mV
0x17	PG_CTRL	PG1_MODE	Invalid
0x17	PG_CTRL	PGOOD_FAULT_GATES_PG1	Status
0x17	PG_CTRL	PG1_POL	High
0x17	PG_CTRL	PG0_MODE	Invalid
0x17	PG_CTRL	PGOOD_FAULT_GATES_PG0	Status
0x17	PG_CTRL	PG0_OD	OD
0x17	PG_CTRL	PG0_POL	High
0x18	PG0_CTRL	PG0_RISE_DELAY	11 ms
0x18	PG0_CTRL	SEL_PG0_TWARN	No
0x18	PG0_CTRL	SEL_PG0_VANA	Yes
0x18	PG0_CTRL	SEL_PG0_VMON2	No
0x18	PG0_CTRL	SEL_PG0_VMON1	No
0x18	PG0_CTRL	SEL_PG0_BOOST	No
0x18	PG0_CTRL	SEL_PG0_BUCK1	No
0x18	PG0_CTRL	SEL_PG0_BUCK0	No
0x1A	PG1_CTRL	PG1_RISE_DELAY	11 ms
0x1A	PG1_CTRL	SEL_PG1_TWARN	No
0x1A	PG1_CTRL	SEL_PG1_VANA	Yes
0x1A	PG1_CTRL	SEL_PG1_VMON2	Yes
0x1A	PG1_CTRL	SEL_PG1_VMON1	Yes
0x1A	PG1_CTRL	SEL_PG1_BOOST	No
0x1A	PG1_CTRL	SEL_PG1_BUCK1	Yes
0x1A	PG1_CTRL	SEL_PG1_BUCK0	Yes

Table 2-1. Summary of Registers Bits (continued)

Address	Register Name	Bit	LP877021
WATCHDOG			
0x1C	WD_CTRL_1	WD_CLOSE_TIME[1:0]	50 ms
0x1C	WD_CTRL_1	WD_OPEN_TIME[1:0]	200 ms
0x1C	WD_CTRL_1	WD_LONG_OPEN_TIME[1:0]	2000 ms
0x1C	WD_CTRL_1	WD_RESET_CNTR_SEL[1:0]	Disabled
0x1D	WD_CTRL_2	WD_SYS_RESTART_FLAG_MODE	Status
0x1D	WD_CTRL_2	WD_EN_OTP_READ	Enabled
0x1D	WD_CTRL_2	WDI_PD	Enabled
0x1D	WD_CTRL_2	WDR_POL	Active low
0x1D	WD_CTRL_2	WDR_OD	OD
0x35	WD_DIS_CONTROL	WD_DIS_CTRL	WD_DIS PIN CTRL Enabled
INTERRUPT MASKS			
0x29	TOP_MASK_1	I_MEAS_MASK	Masked
0x29	TOP_MASK_1	SYNC_CLK_MASK	Masked
0x29	TOP_MASK_1	TDIE_WARN_MASK	Unmasked
0x2A	TOP_MASK_2	RESET_REG_MASK	Masked
0x2B	BUCK_MASK	BUCK1_PGF_MASK	Masked
0x2B	BUCK_MASK	BUCK1_PGR_MASK	Masked
0x2B	BUCK_MASK	BUCK1_ILIM_MASK	Masked
0x2B	BUCK_MASK	BUCK0_PGF_MASK	Masked
0x2B	BUCK_MASK	BUCK0_PGR_MASK	Masked
0x2B	BUCK_MASK	BUCK0_ILIM_MASK	Masked
0x2C	BOOST_MASK	BOOST_PGF_MASK	Masked
0x2C	BOOST_MASK	BOOST_PGR_MASK	Masked
0x2C	BOOST_MASK	BOOST_ILIM_MASK	Masked
0x2D	DIAG_MASK	VMON2_PGF_MASK	Masked
0x2D	DIAG_MASK	VMON2_PGR_MASK	Masked
0x2D	DIAG_MASK	VMON1_PGF_MASK	Masked
0x2D	DIAG_MASK	VMON1_PGR_MASK	Masked
0x2D	DIAG_MASK	VANA_PGF_MASK	Masked
0x2D	DIAG_MASK	VANA_PGR_MASK	Masked
BUCK AND BOOST SWITCHING FREQUENCY			
0x31	FREQ_SEL	BOOST_FREQ_SEL	4 MHz
0x31	FREQ_SEL	BUCK_FREQ_SEL[1:0]	4 MHz
BOOST CURRENT LIMIT			
0x32	BOOST_ILIM_CTRL	BOOST_ILIM	1.4 A

3 Revision History

NOTE: Page numbers for previous revisions may differ from page numbers in the current version.

DATE	REVISION	NOTES
June 2023	*	Initial Release

IMPORTANT NOTICE AND DISCLAIMER

TI PROVIDES TECHNICAL AND RELIABILITY DATA (INCLUDING DATA SHEETS), DESIGN RESOURCES (INCLUDING REFERENCE DESIGNS), APPLICATION OR OTHER DESIGN ADVICE, WEB TOOLS, SAFETY INFORMATION, AND OTHER RESOURCES "AS IS" AND WITH ALL FAULTS, AND DISCLAIMS ALL WARRANTIES, EXPRESS AND IMPLIED, INCLUDING WITHOUT LIMITATION ANY IMPLIED WARRANTIES OF MERCHANTABILITY, FITNESS FOR A PARTICULAR PURPOSE OR NON-INFRINGEMENT OF THIRD PARTY INTELLECTUAL PROPERTY RIGHTS.

These resources are intended for skilled developers designing with TI products. You are solely responsible for (1) selecting the appropriate TI products for your application, (2) designing, validating and testing your application, and (3) ensuring your application meets applicable standards, and any other safety, security, regulatory or other requirements.

These resources are subject to change without notice. TI grants you permission to use these resources only for development of an application that uses the TI products described in the resource. Other reproduction and display of these resources is prohibited. No license is granted to any other TI intellectual property right or to any third party intellectual property right. TI disclaims responsibility for, and you will fully indemnify TI and its representatives against, any claims, damages, costs, losses, and liabilities arising out of your use of these resources.

TI's products are provided subject to [TI's Terms of Sale](#) or other applicable terms available either on [ti.com](https://www.ti.com) or provided in conjunction with such TI products. TI's provision of these resources does not expand or otherwise alter TI's applicable warranties or warranty disclaimers for TI products.

TI objects to and rejects any additional or different terms you may have proposed.

Mailing Address: Texas Instruments, Post Office Box 655303, Dallas, Texas 75265
Copyright © 2023, Texas Instruments Incorporated