

How USB Type-C Helps Make Cars as Smart as Phones



Chris Griffith

Most of us have become so attached to our [phones to stay connected](#) with work, family and friends. However, the place where I feel most unconnected is in my car. My phone is in the passenger seat, gathering new texts, emails, missed calls and social media notifications. At a stoplight, I often grab it to quickly check new notifications. But when I arrive at my destination my phone's battery is typically low.

I tried all the *Bluetooth*® products and the 12V phone chargers. I get excited for a while when I buy a new one, but it quickly fails to meet my demands. People complain about my voice quality when I use the speaker in my car, and my phone (which is nearly as capable as a laptop) barely maintains a charge, never coming close to charging with the 500mA current. Not to mention, the audio content is not getting to the car to share on its many capable displays.

When I work with Universal Serial Bus (USB) Type-C, however, I get so excited about how it could change my driving experience that I am actually holding off on trading in my current vehicle until someone realizes the full potential of USB Type-C in cars. USB Type-C would easily provide 15W of charging power (as much as 100W with USB Power Delivery) and 20Gbps of data; even my phone would have to work hard to fill that pipe. It makes my electronics-loving heart excited. I might have to upgrade my phone (or at least its memory); just please don't tell my wife. On the other hand, please do tell her because this capability would enable all passengers to enjoy their phones' great capability even more when traveling in my car. It would be even easier to share social media posts with the entire family.

The [TUSB320](#), a device that provides USB Type-C configuration channel logic and port control, could enable this experience and is available today. The device handles all of the USB Type-C channel controller (CC) and mode configuration communication for USB 2.0.

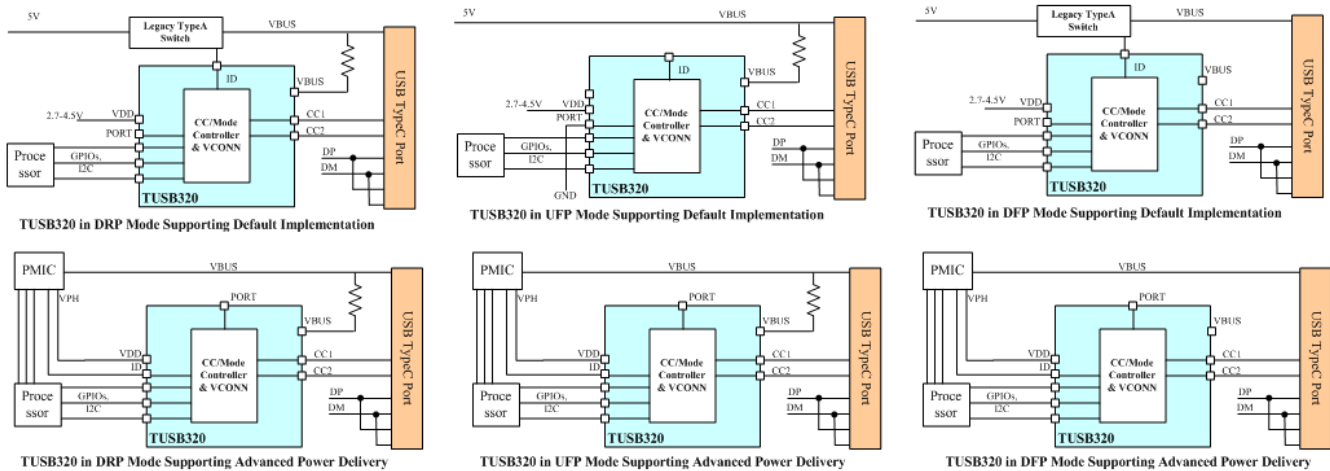


Figure 1. USB 2.0 Implementation of Type C

The new [TUSB321](#) can work with the [HD3SS3212](#) device to enable a full USB 3.1 solution, thus using the full data transfer benefits of the USB Type-C connector.

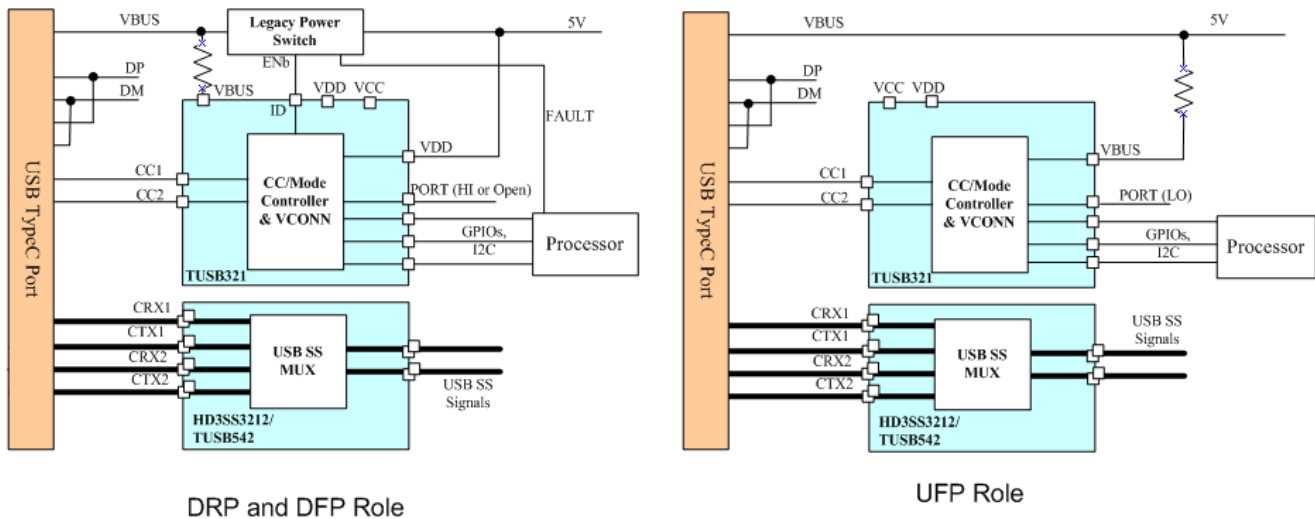


Figure 2. USB 3.0 Implementation of Type C

[TUSB320](#), [TUSB321](#), [HD3SS3212](#) and [HD3SS460](#) are commercially available and Q100 qualification is possible on most devices. It's so exciting to think that my next car might have these capabilities.

Are you ready to utilize your phone capability while in the car and arrive with a full charge? USB Type-C can make this a reality in your next vehicle. If you have any questions about how TI products are bringing this experience to life, please leave a comment below.

IMPORTANT NOTICE AND DISCLAIMER

TI PROVIDES TECHNICAL AND RELIABILITY DATA (INCLUDING DATA SHEETS), DESIGN RESOURCES (INCLUDING REFERENCE DESIGNS), APPLICATION OR OTHER DESIGN ADVICE, WEB TOOLS, SAFETY INFORMATION, AND OTHER RESOURCES "AS IS" AND WITH ALL FAULTS, AND DISCLAIMS ALL WARRANTIES, EXPRESS AND IMPLIED, INCLUDING WITHOUT LIMITATION ANY IMPLIED WARRANTIES OF MERCHANTABILITY, FITNESS FOR A PARTICULAR PURPOSE OR NON-INFRINGEMENT OF THIRD PARTY INTELLECTUAL PROPERTY RIGHTS.

These resources are intended for skilled developers designing with TI products. You are solely responsible for (1) selecting the appropriate TI products for your application, (2) designing, validating and testing your application, and (3) ensuring your application meets applicable standards, and any other safety, security, regulatory or other requirements.

These resources are subject to change without notice. TI grants you permission to use these resources only for development of an application that uses the TI products described in the resource. Other reproduction and display of these resources is prohibited. No license is granted to any other TI intellectual property right or to any third party intellectual property right. TI disclaims responsibility for, and you will fully indemnify TI and its representatives against, any claims, damages, costs, losses, and liabilities arising out of your use of these resources.

TI's products are provided subject to [TI's Terms of Sale](#) or other applicable terms available either on [ti.com](https://www.ti.com) or provided in conjunction with such TI products. TI's provision of these resources does not expand or otherwise alter TI's applicable warranties or warranty disclaimers for TI products.

TI objects to and rejects any additional or different terms you may have proposed.

Mailing Address: Texas Instruments, Post Office Box 655303, Dallas, Texas 75265
Copyright © 2023, Texas Instruments Incorporated