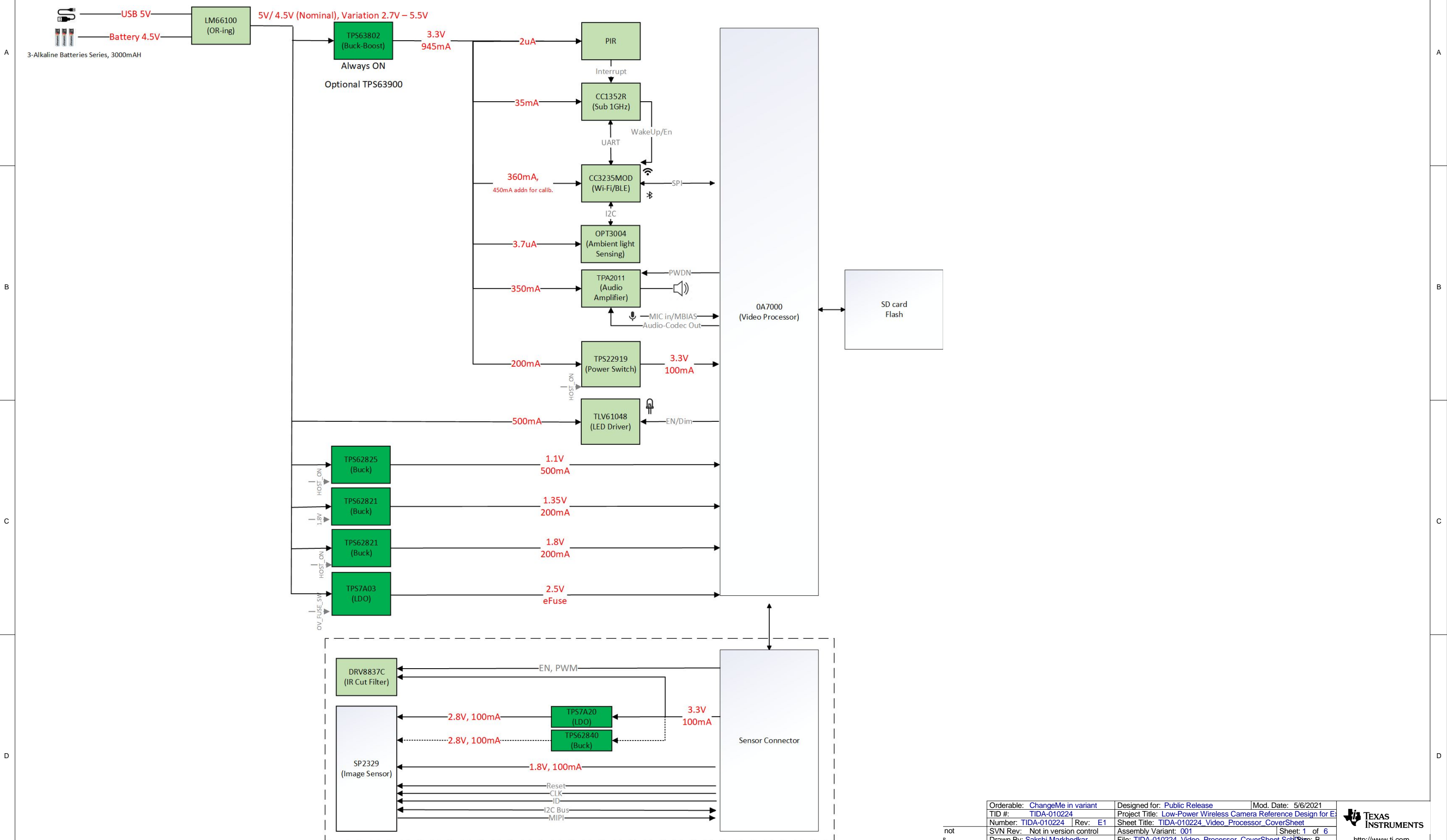


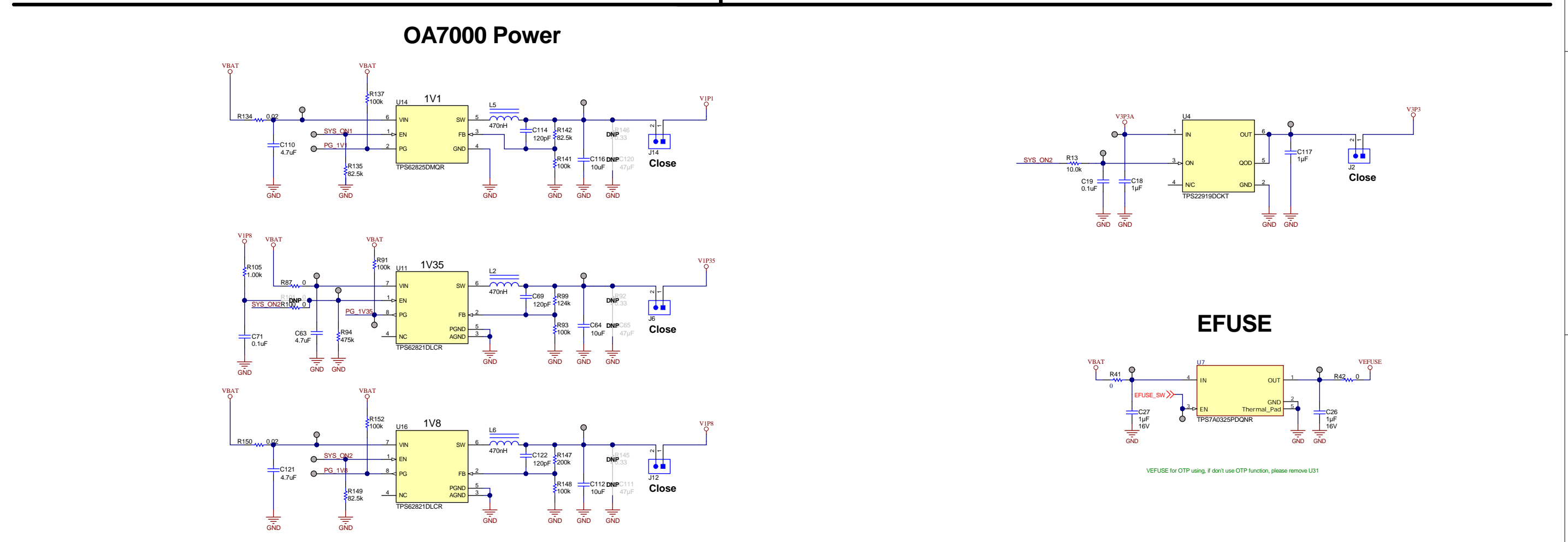
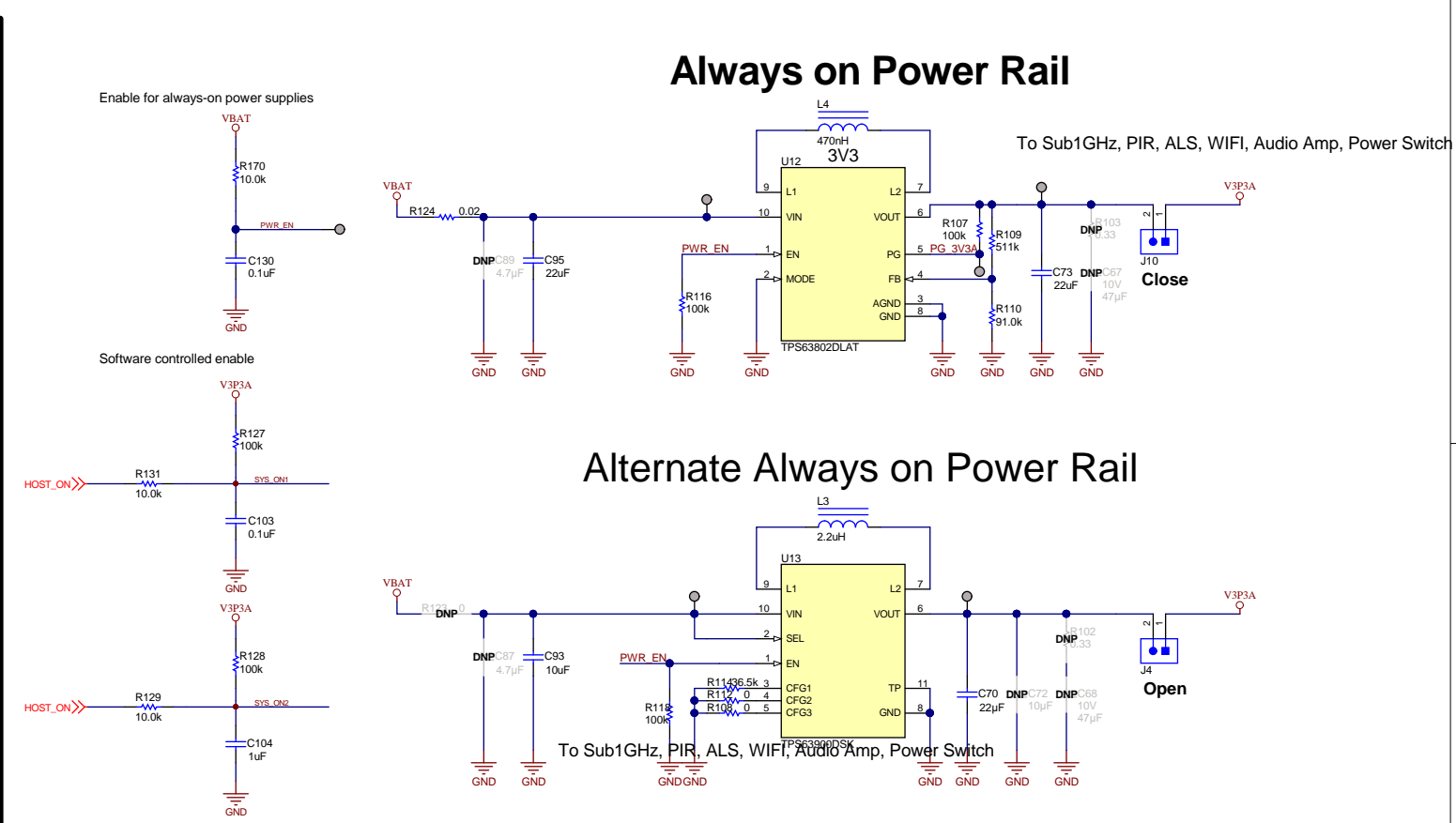
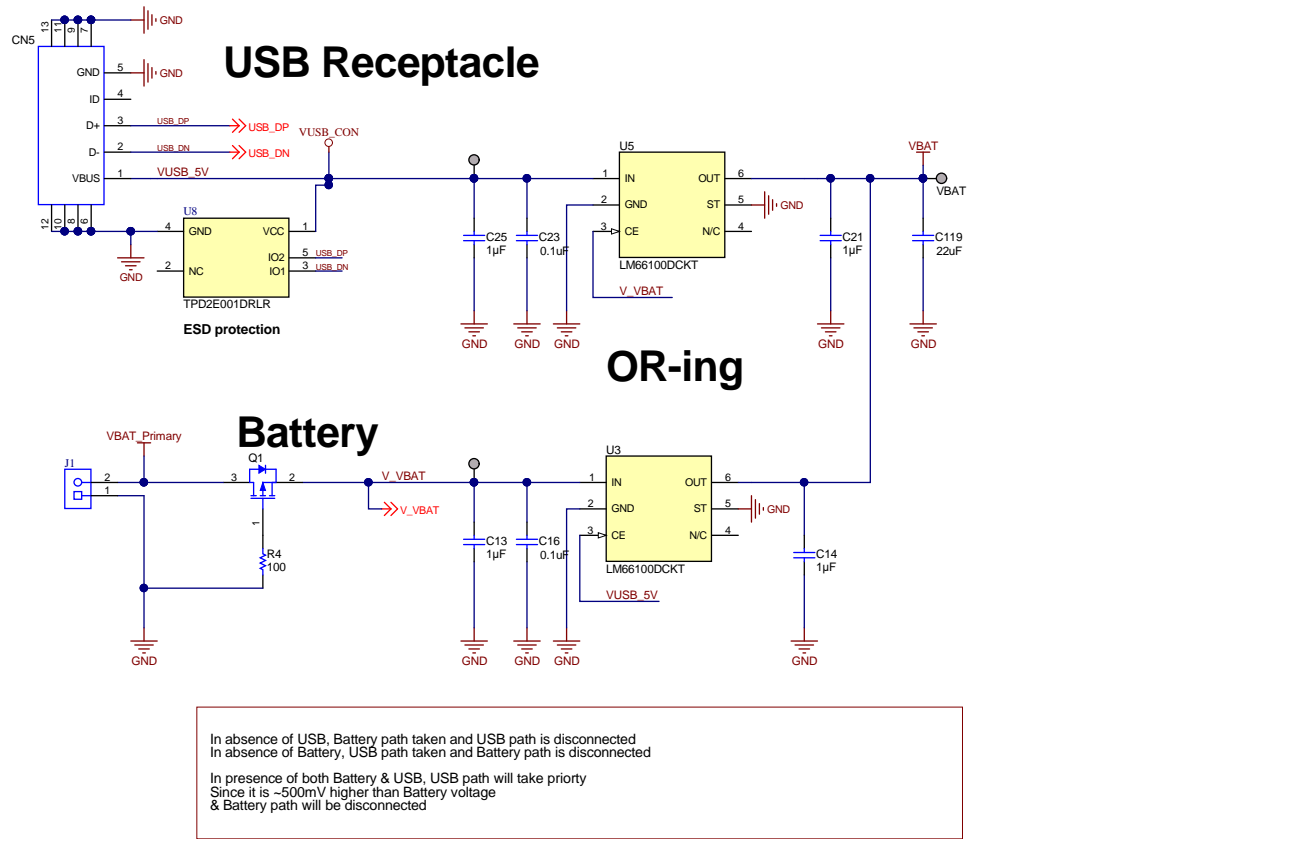
Block Diagram: Wireless Camera Reference Design

Revision History				
Rev	ECN #	Approved Date	Approved by	Notes
N/A	N/A	N/A	N/A	N/A



licensors do not warrant that the design is production worthy. You should completely validate and test your design implementation to confirm the system functionality for your application.

Orderable: ChangeMe in variant	Designed for: Public Release	Mod. Date: 5/6/2021	 http://www.ti.com © Texas Instruments 2018
TID #: TIDA-010224	Project Title: Low-Power Wireless Camera Reference Design for E		
Number: TIDA-010224 Rev: E1	Sheet Title: TIDA-010224_Video_Processor_CoverSheet		
SVN Rev: Not in version control	Assembly Variant: 001	Sheet: 1 of 6	
Drawn By: Sakshi Markhedkar	File: TIDA-010224_Video_Processor_CoverSheet.Sch	Size: B	
Engineer: Sakshi Markhedkar	Contact: http://www.ti.com/support		



A

A

B

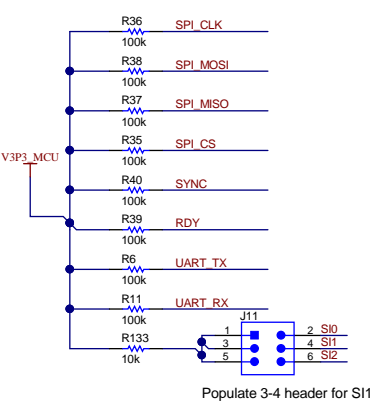
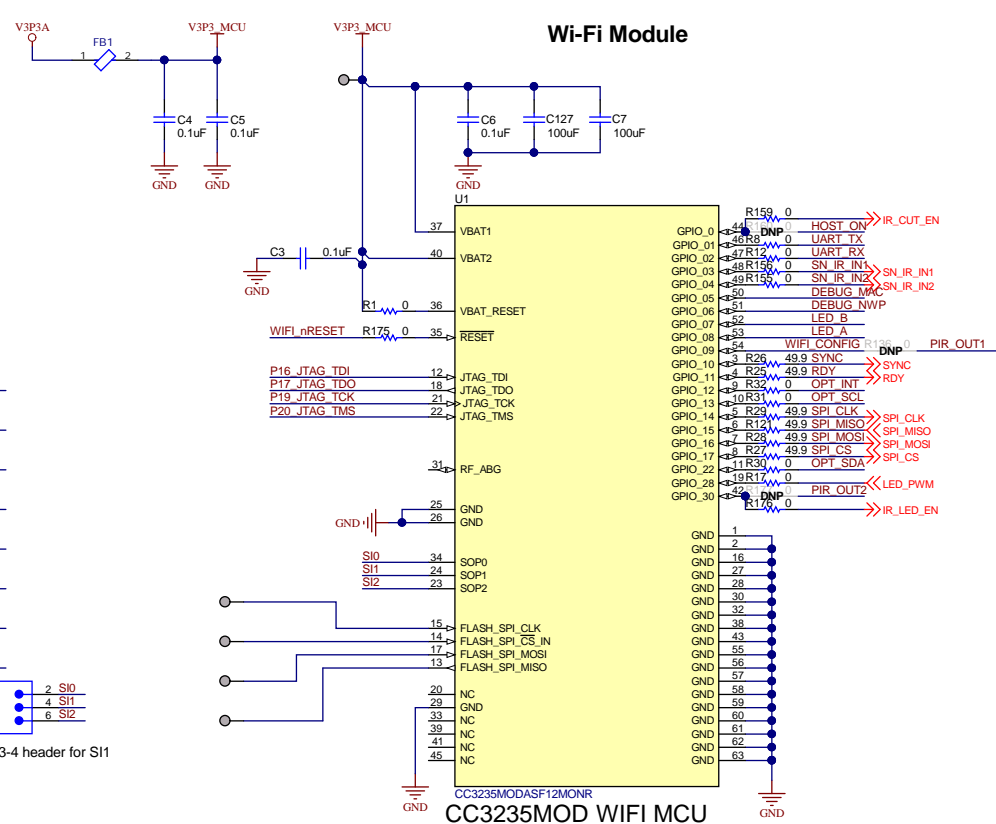
B

C

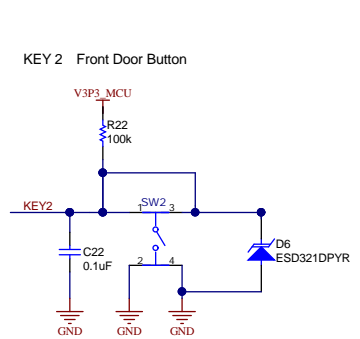
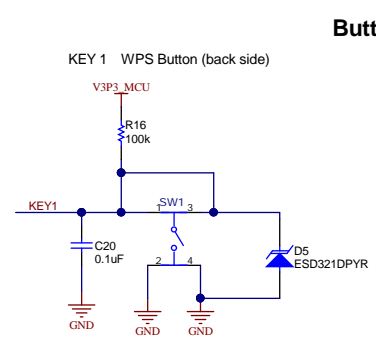
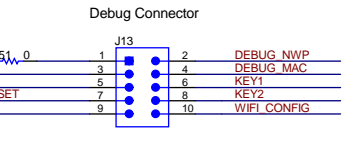
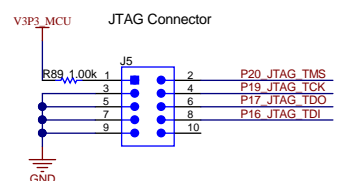
C

D

D

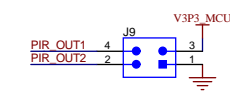


Populate 3-4 header for S11

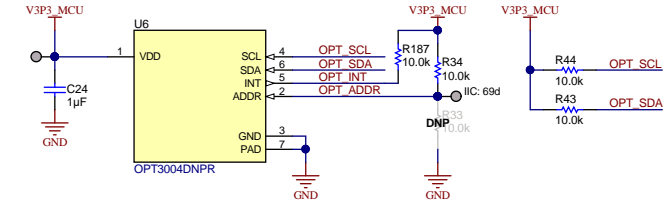


Buttons

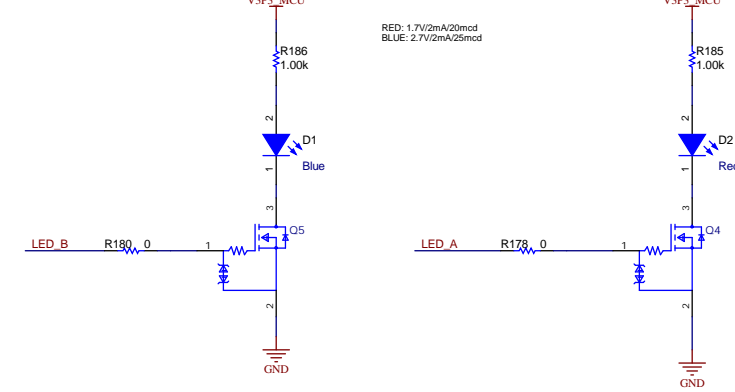
Pyroelectric InfraRed



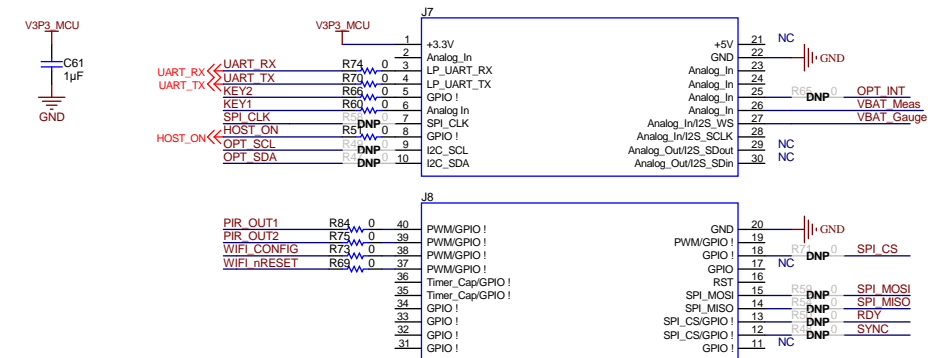
Ambient Light Sensing



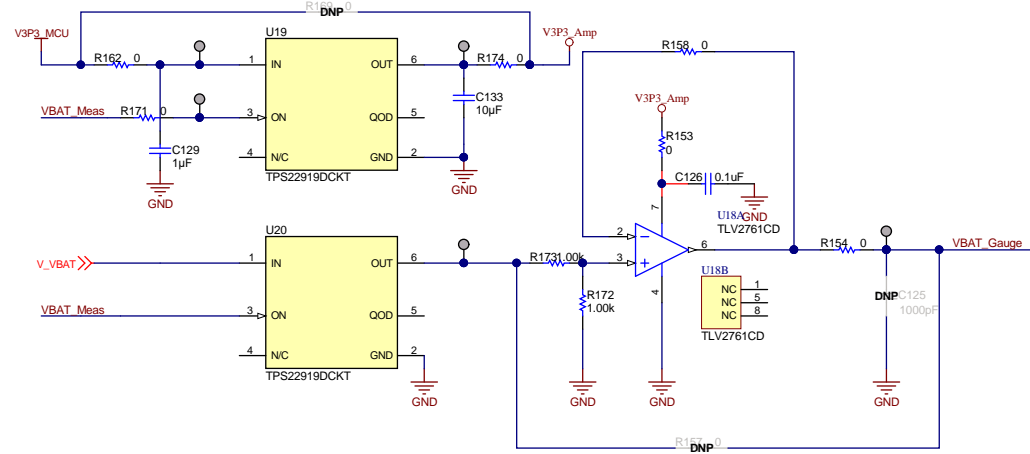
LED Indicators

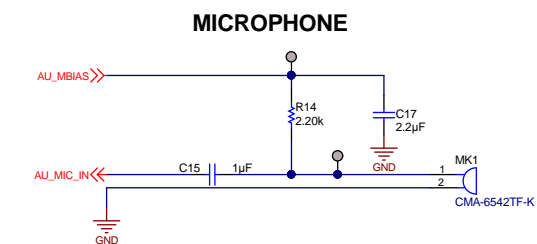
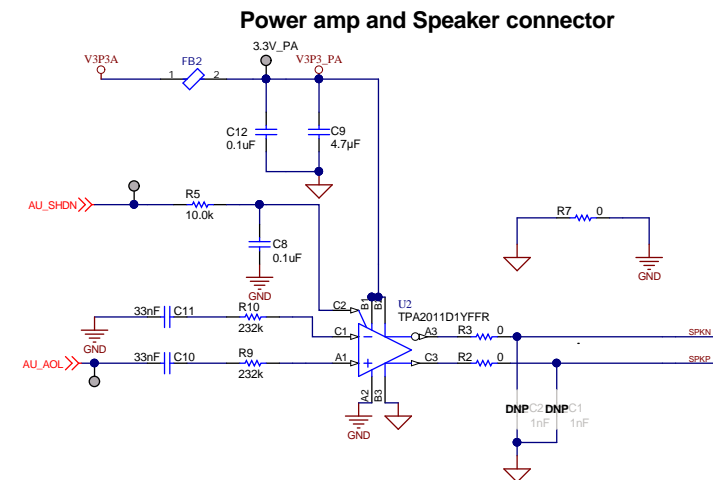
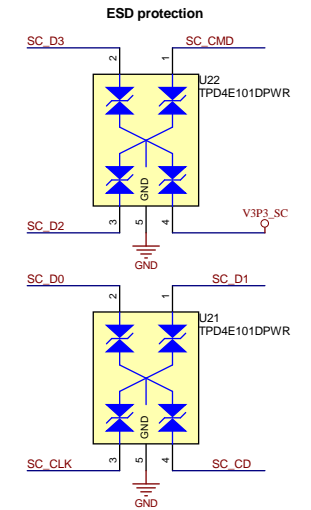
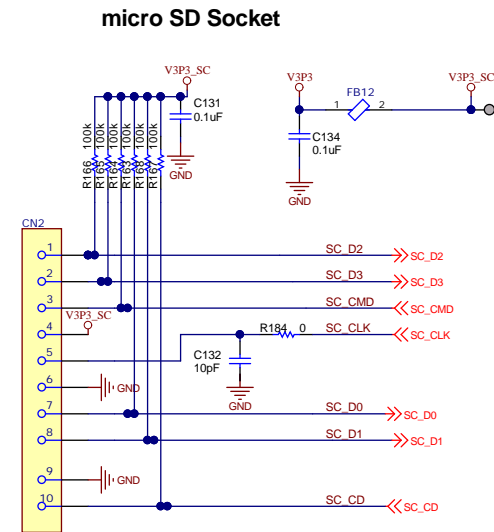
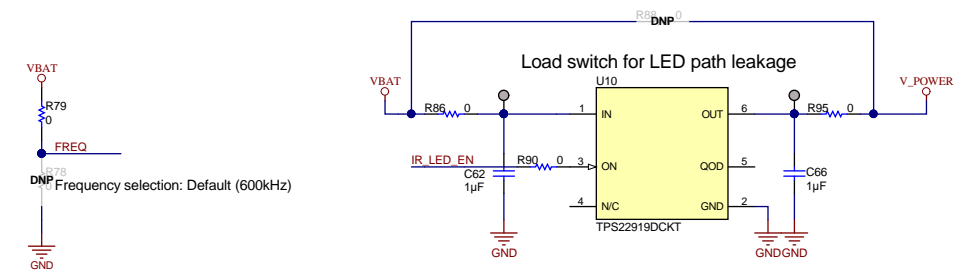
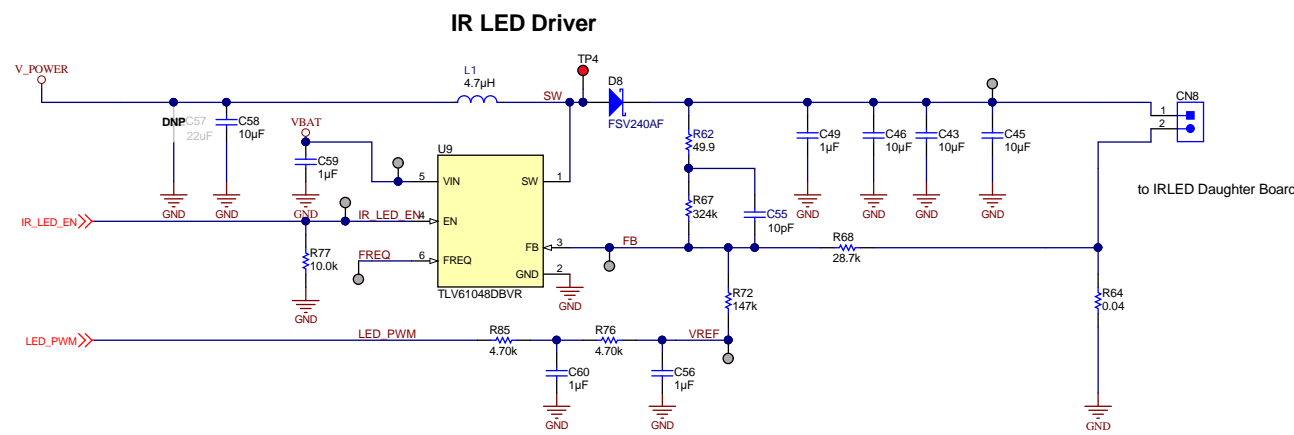
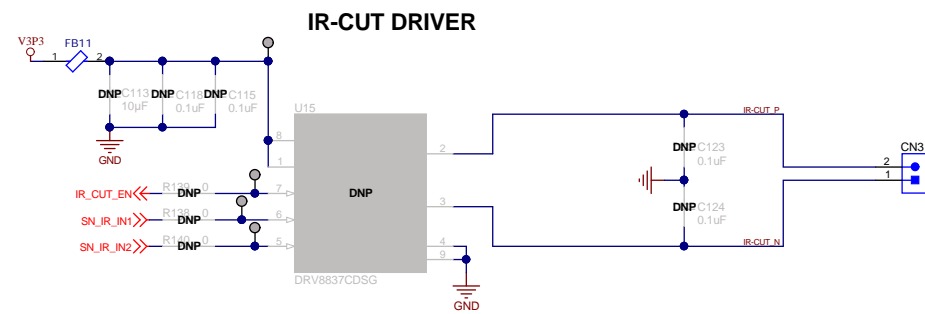


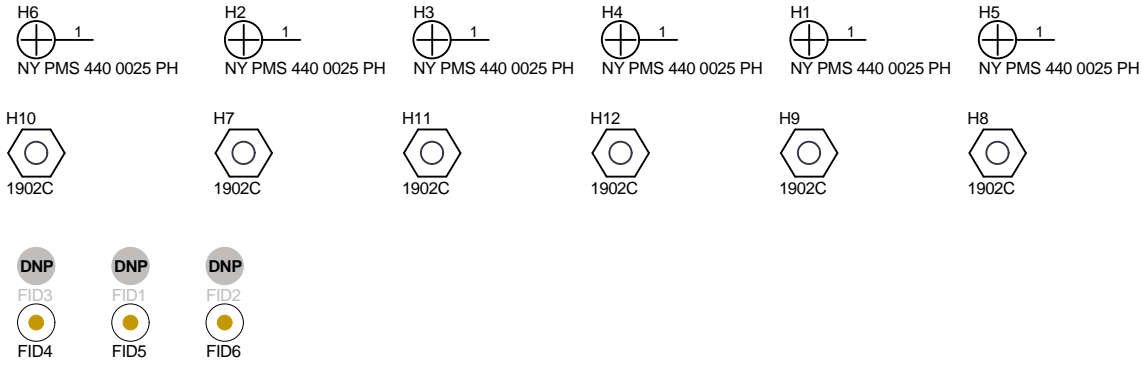
CC1352R Launchpad Connector



Battery Gauge







PCB Number: TIDA-010224
PCB Rev:

PCB LOGO
Texas Instruments



PCB LOGO
FCC disclaimer

PCB LOGO
WEEE logo

Variant/Label Table	
Variant	Label Text
001	ChangeMe!
002	ChangeMe!

LBL1
PCB Label
THT-14-423-10
Size: 0.65" x 0.20 "

ZZ4
Label Assembly Note
This Assembly Note is for PCB labels only

ZZ1
Assembly Note
These assemblies are ESD sensitive, ESD precautions shall be observed.

ZZ2
Assembly Note
These assemblies must be clean and free from flux and all contaminants. Use of no clean flux is not acceptable.

ZZ3
Assembly Note
These assemblies must comply with workmanship standards IPC-A-610 Class 2, unless otherwise specified.

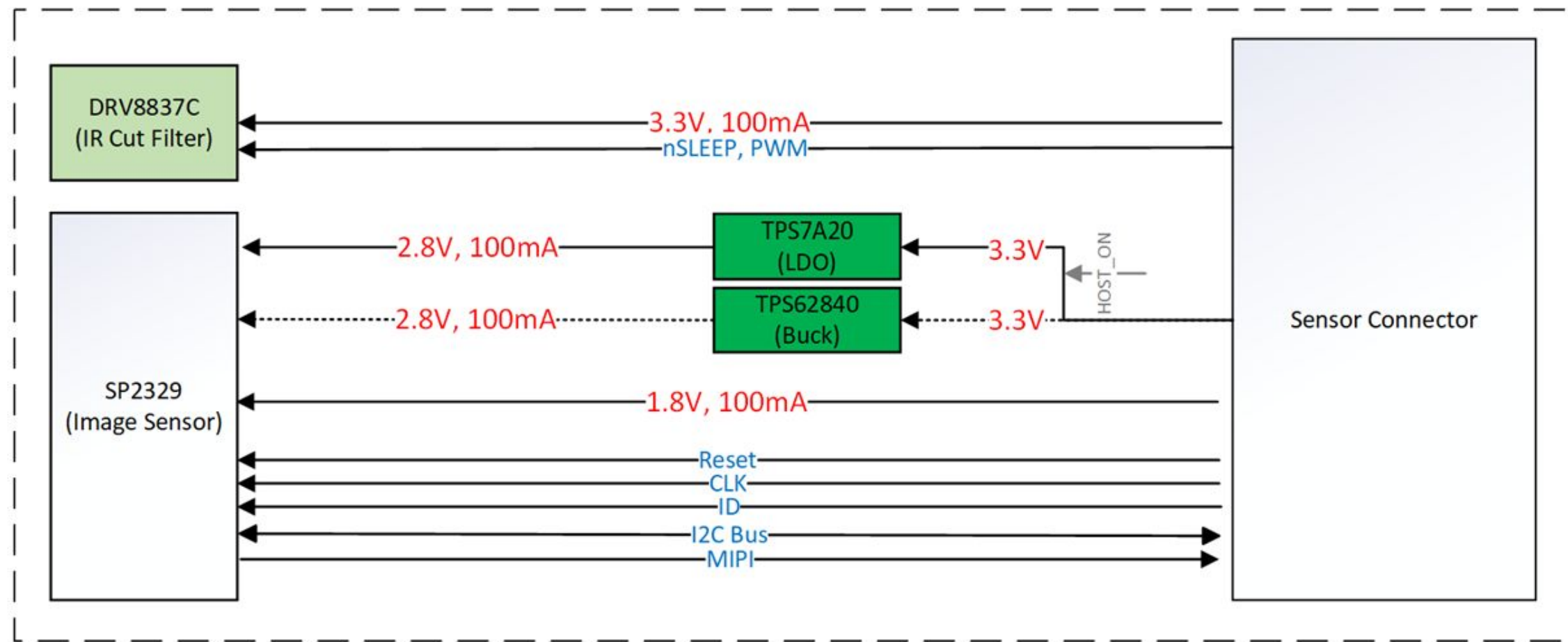
Orderable: ChangeMe in variant	Designed for: Public Release	Mod. Date: 5/6/2021
TID #: TIDA-010224	Project Title: Low-Power Wireless Camera Reference Design for E	
Number: TIDA-010224 Rev: E1	Sheet Title: TIDA-010224_Hardware	
SVN Rev: Not in version control	Assembly Variant: 001	Sheet: 6 of 6
Drawn By: Sakshi Markhedkar	File: TIDA-010224_Video_Processor_Hardware.SchDoc	Size: B
Engineer: Sakshi Markhedkar	Contact: http://www.ti.com/support	

Texas Instruments and/or its licensors do not warrant the accuracy or completeness of this specification or any information contained therein. Texas Instruments and/or its licensors do not warrant that this design will meet the specifications, will be suitable for your application or fit for any particular purpose, or will operate in an implementation. Texas Instruments and/or its licensors do not warrant that the design is production worthy. You should completely validate and test your design implementation to confirm the system functionality for your application.



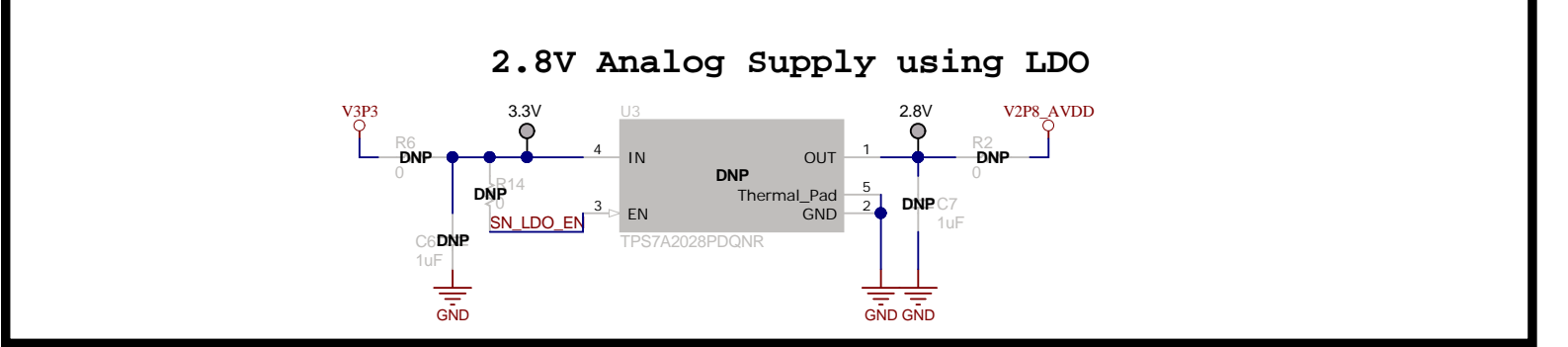
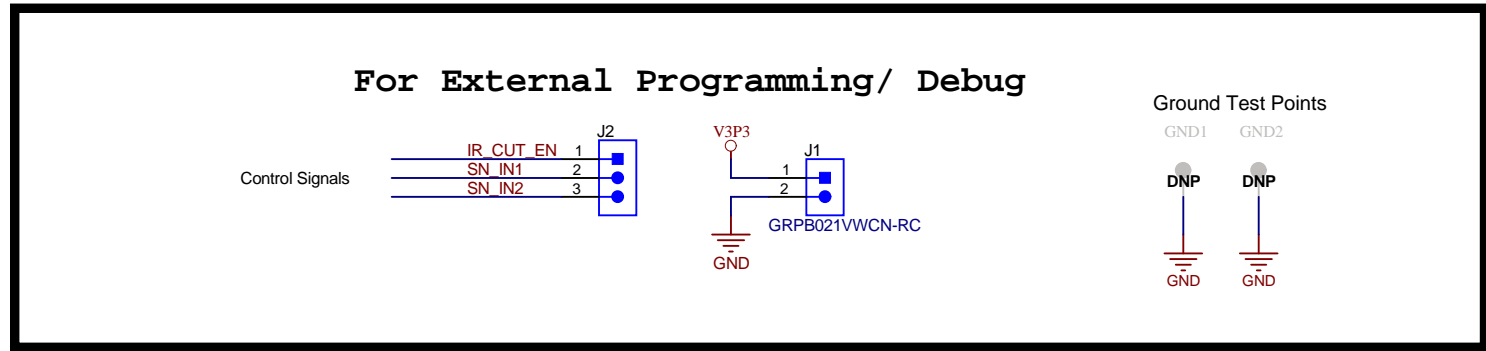
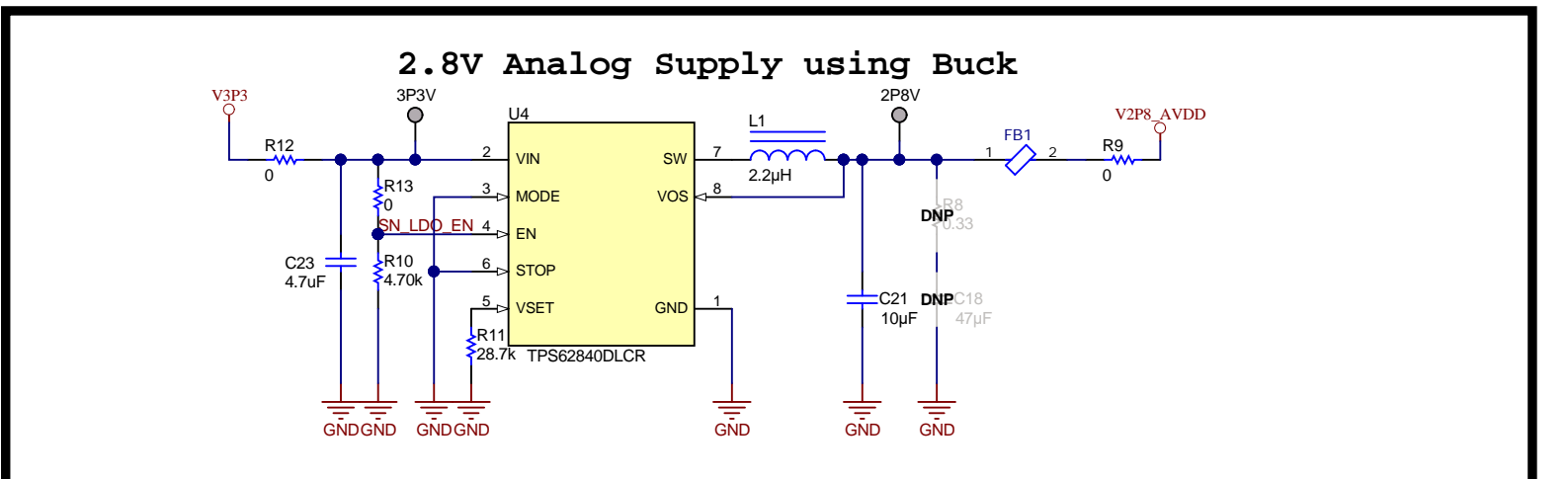
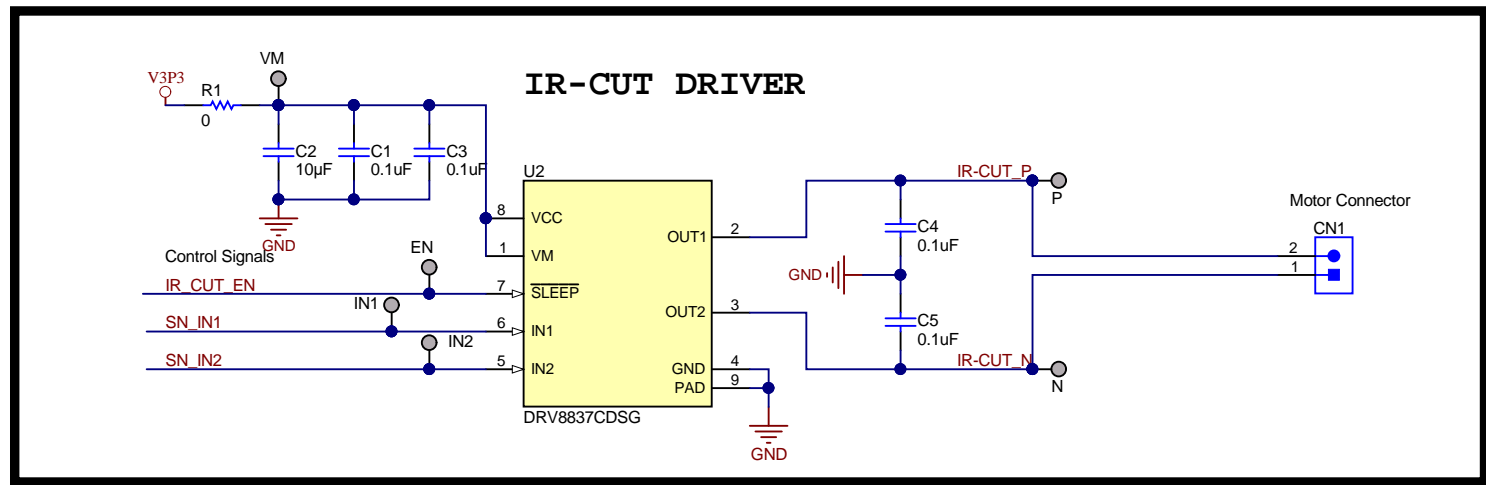
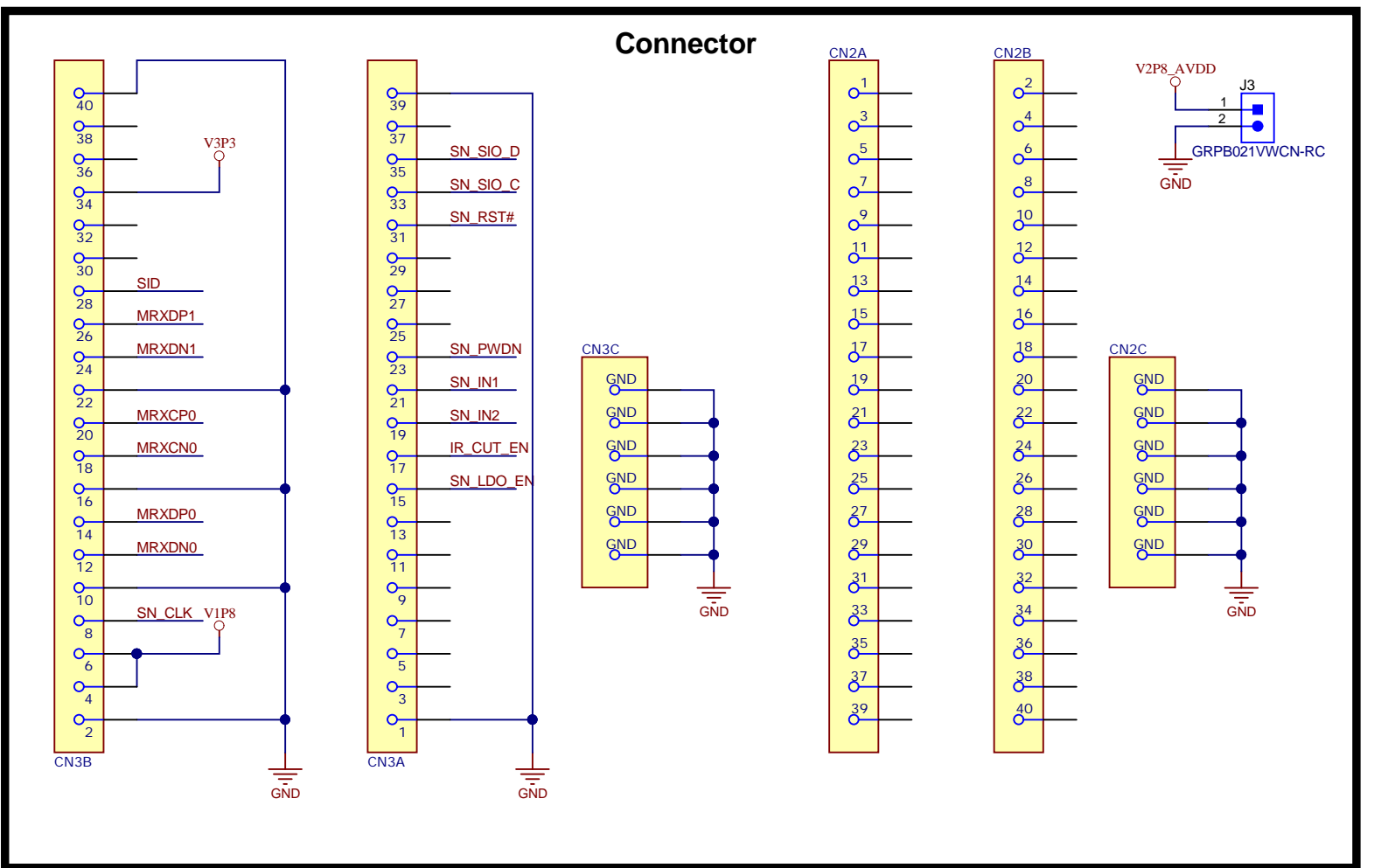
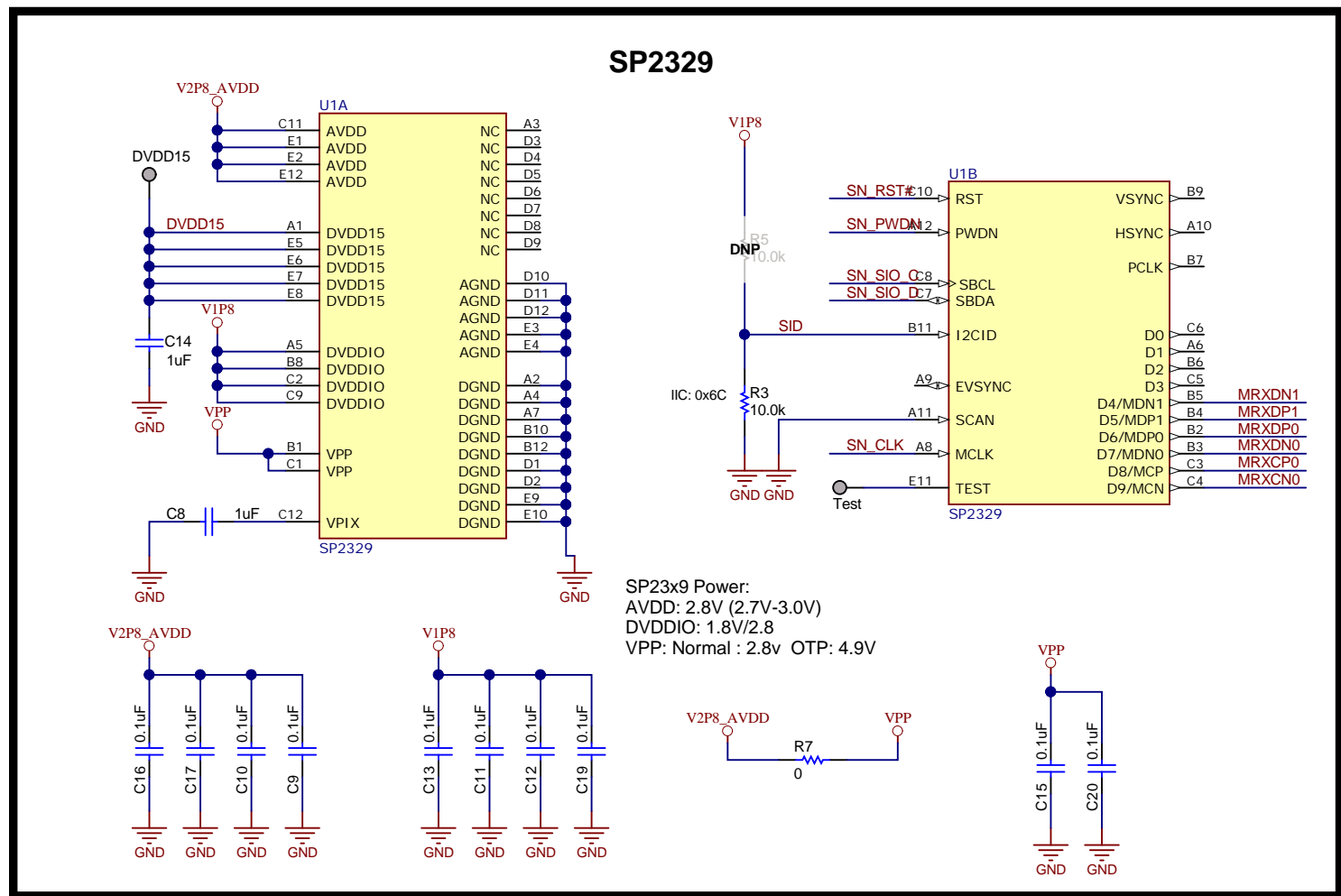
© Texas Instruments 2018

Sensor Board Block diagram



Texas Instruments and/or its licensors do not warrant the accuracy or completeness of this specification or any information contained therein. Texas Instruments and/or its licensors do not warrant that this design will meet the specifications, will be suitable for your application or fit for any particular purpose, or will operate in an implementation. Texas Instruments and/or its licensors do not warrant that the design is production worthy. You should completely validate and test your design implementation to confirm the system functionality for your application.

Orderable: ChangeMe in variant	Designed for: Public Release	Mod. Date: 5/6/2021	
TID #: TIDA-010224	Project Title: Low-Power Wireless Camera Reference Design for E	Sheet: 1 of 3	
Number: TIDA-010224 Rev: E1	Sheet Title: TIDA-010224_CoverSheet	Size: A2	
SVN Rev: Not in version control	Assembly Variant: 001	http://www.ti.com	
Drawn By: Sakshi Markhedkar	File: TIDA-010224_CoverSheet.SchDoc	Contact: http://www.ti.com/support	
Engineer: Sakshi Markhedkar			© Texas Instruments, 2020



Texas Instruments and/or its licensors do not warrant the accuracy or completeness of this specification or any information contained therein. Texas Instruments and/or its licensors do not warrant that this design will meet the specifications, will be suitable for your application or fit for any particular purpose, or will operate in an implementation. Texas Instruments and/or its licensors do not warrant that the design is production worthy. You should completely validate and test your design implementation to confirm the system functionality for your application.



PCB Number: TIDA-010224
PCB Rev: E1

Logo1
PCB
LOGO
Pb-Free Symbol

PCB
LOGO
FCC disclaimer

PCB
LOGO
WEEE logo

Variant/Label Table	
Variant	Label Text
001	ChangeMe!
002	ChangeMe!

ZZ4
Label Assembly Note
This Assembly Note is for PCB labels only

ZZ3
Assembly Note
These assemblies are ESD sensitive, ESD precautions shall be observed.

ZZ2
Assembly Note
These assemblies must be clean and free from flux and all contaminants. Use of no clean flux is not acceptable.

ZZ1
Assembly Note
These assemblies must comply with workmanship standards IPC-A-610 Class 2, unless otherwise specified.

IMPORTANT NOTICE AND DISCLAIMER

TI PROVIDES TECHNICAL AND RELIABILITY DATA (INCLUDING DATASHEETS), DESIGN RESOURCES (INCLUDING REFERENCE DESIGNS), APPLICATION OR OTHER DESIGN ADVICE, WEB TOOLS, SAFETY INFORMATION, AND OTHER RESOURCES "AS IS" AND WITH ALL FAULTS, AND DISCLAIMS ALL WARRANTIES, EXPRESS AND IMPLIED, INCLUDING WITHOUT LIMITATION ANY IMPLIED WARRANTIES OF MERCHANTABILITY, FITNESS FOR A PARTICULAR PURPOSE OR NON-INFRINGEMENT OF THIRD PARTY INTELLECTUAL PROPERTY RIGHTS.

These resources are intended for skilled developers designing with TI products. You are solely responsible for (1) selecting the appropriate TI products for your application, (2) designing, validating and testing your application, and (3) ensuring your application meets applicable standards, and any other safety, security, or other requirements. These resources are subject to change without notice. TI grants you permission to use these resources only for development of an application that uses the TI products described in the resource. Other reproduction and display of these resources is prohibited. No license is granted to any other TI intellectual property right or to any third party intellectual property right. TI disclaims responsibility for, and you will fully indemnify TI and its representatives against, any claims, damages, costs, losses, and liabilities arising out of your use of these resources.

TI's products are provided subject to TI's Terms of Sale (<https://www.ti.com/legal/termsofsale.html>) or other applicable terms available either on [ti.com](https://www.ti.com) or provided in conjunction with such TI products. TI's provision of these resources does not expand or otherwise alter TI's applicable warranties or warranty disclaimers for TI products.

Mailing Address: Texas Instruments, Post Office Box 655303, Dallas, Texas 75265
Copyright © 2021, Texas Instruments Incorporated