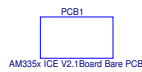


# ***AM335X\_ICE Board***

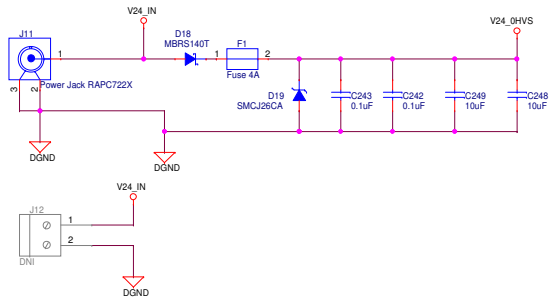
- See the Hardware Implementation Document for design details
- See the Hardware User Guide for board details
- See the PCB Build Specification for PCB Details



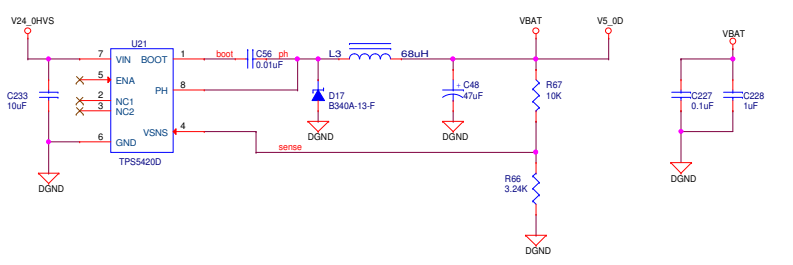
TIDEP0054

<b>ARM MPU</b>	<b>Texas Instruments, Inc.</b>			
	ARM MPU Business Unit 12500 TI Blvd Dallas, TX 75243			
	TMDXICE3359			
	Title			
Size	Document Number	Modified By:	Rev	
C	AM335X_ICE_3H0013_2V1A.dsn	Rachna	2.1A	
Date: Wednesday, April 17, 2013		Sheet: 1 of 15		

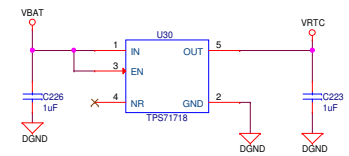
### Main Power Input



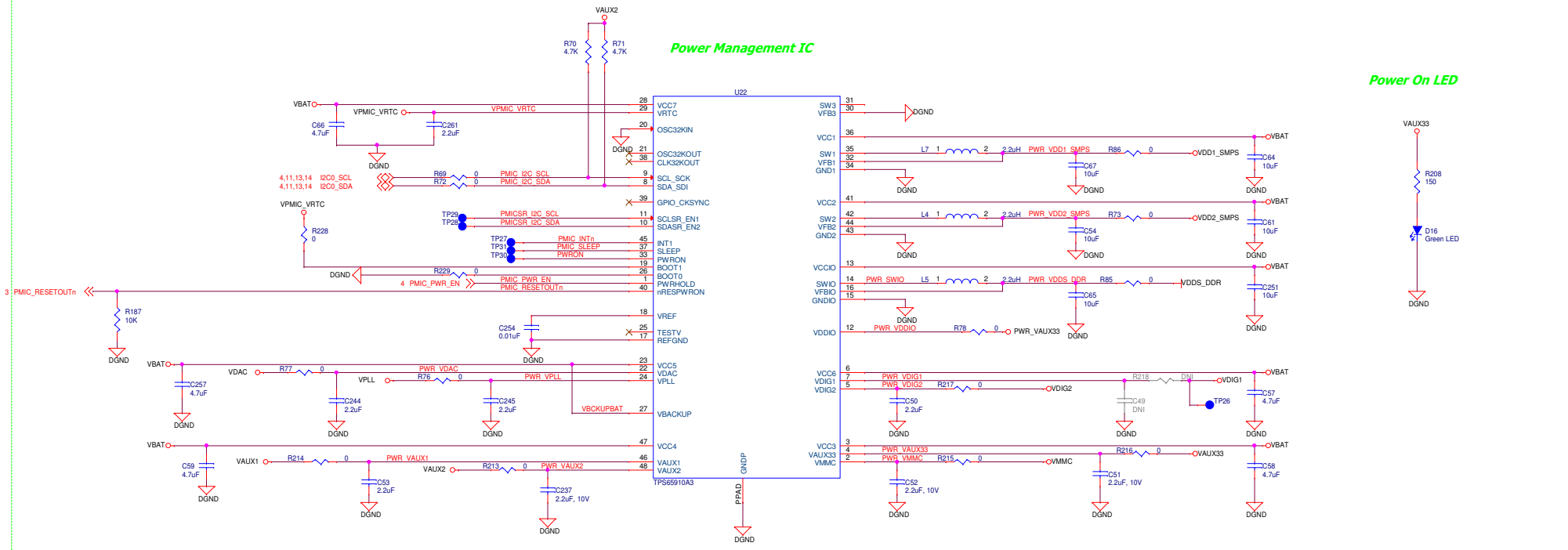
### 24V to 5V DC - DC CONVERTER



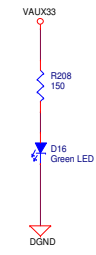
### VRTC REGULATOR



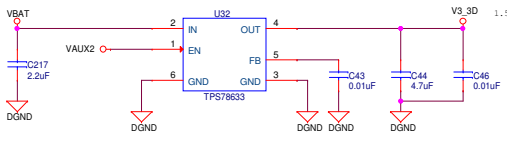
### Power Management IC



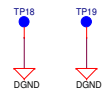
### Power On LED



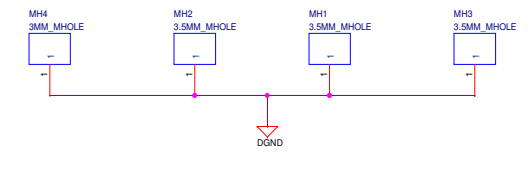
### LDO for V3\_3D



### GND PROBING POINTS



### MOUNT HOLES

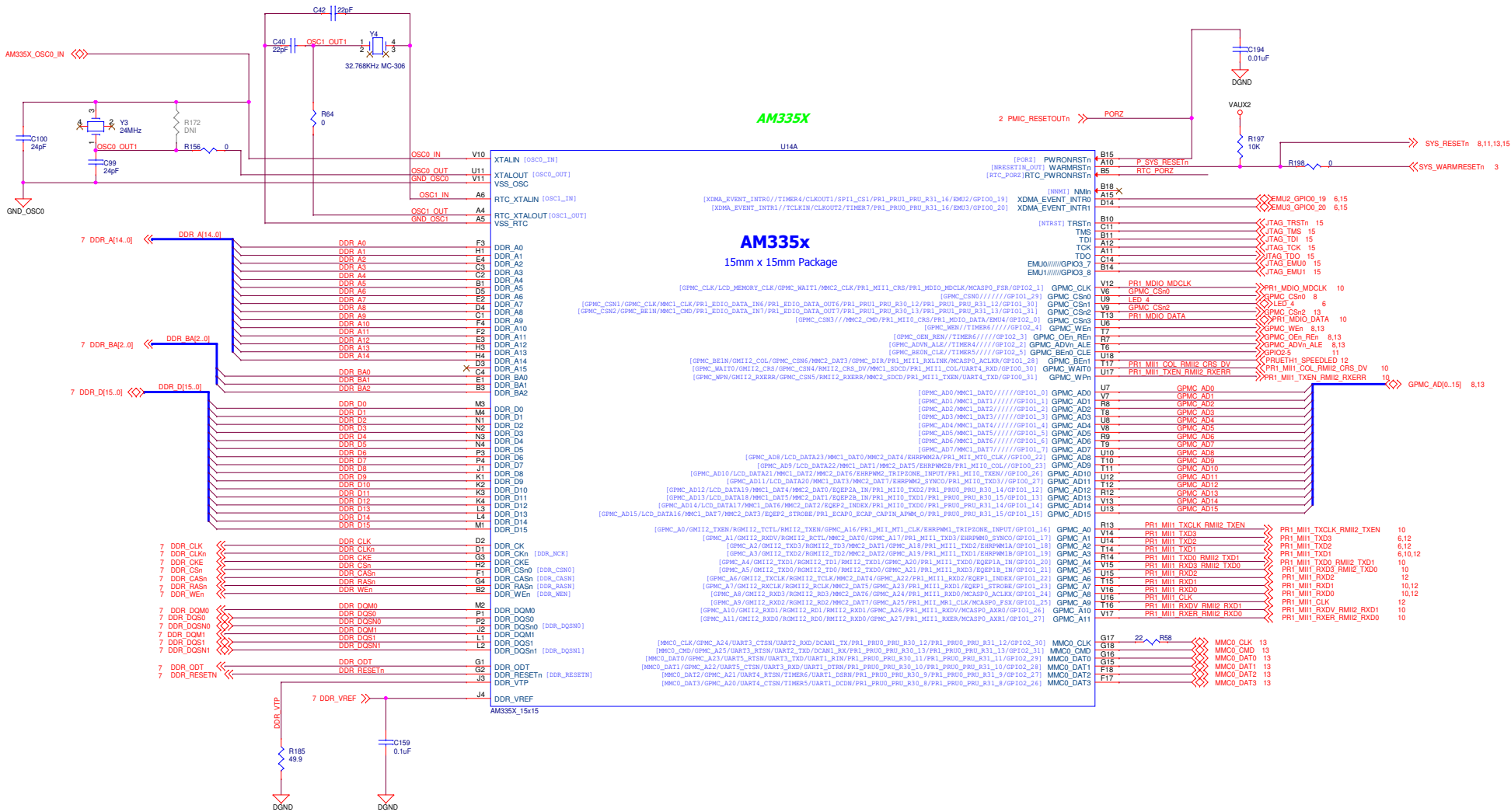


TIDEP0054

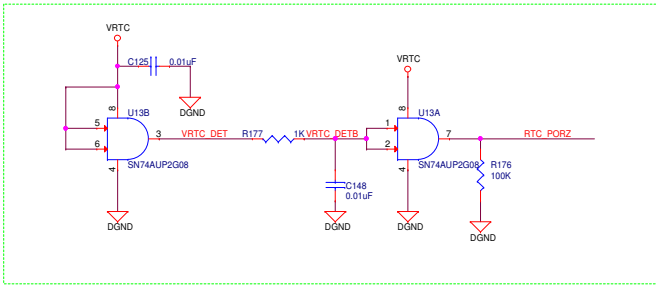
**ARM MPU** Texas Instruments, Inc.  
ARM MPU Business Unit  
12601 TI Blvd  
Dallas, TX 75243

**TMDXICE3359**  
Power Management

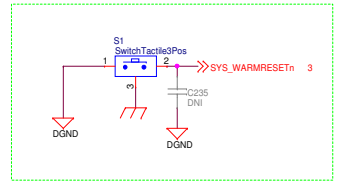
Size C	Document Number AM335X_JCE_3H0013_2V1A.dsn	Modified By: Radha	Rev 2.1A
Date: Wednesday, April 17, 2013		Sheet: 2	of 15



**RTC POWER ON RESET**



**WARM RESET SWITCH**



**TIDEP0054**  
ICEV2

**ARM MPU**

**Texas Instruments, Inc.**  
ARM MPU Business Unit  
12500 TI Blvd  
Dallas, TX 75243

**TEXAS INSTRUMENTS**

**TMDXICE3359**  
AM335X 1 OF 3

Size	Document Number	Modified By:	Rev
C	AM335X_ICE_3H0013_2V1A.dsn	Rachna	2.1A

Date: Wednesday, April 17, 2013 Sheet: 3 of 15

AM335X

AM335X  
15mm x 15mm Package

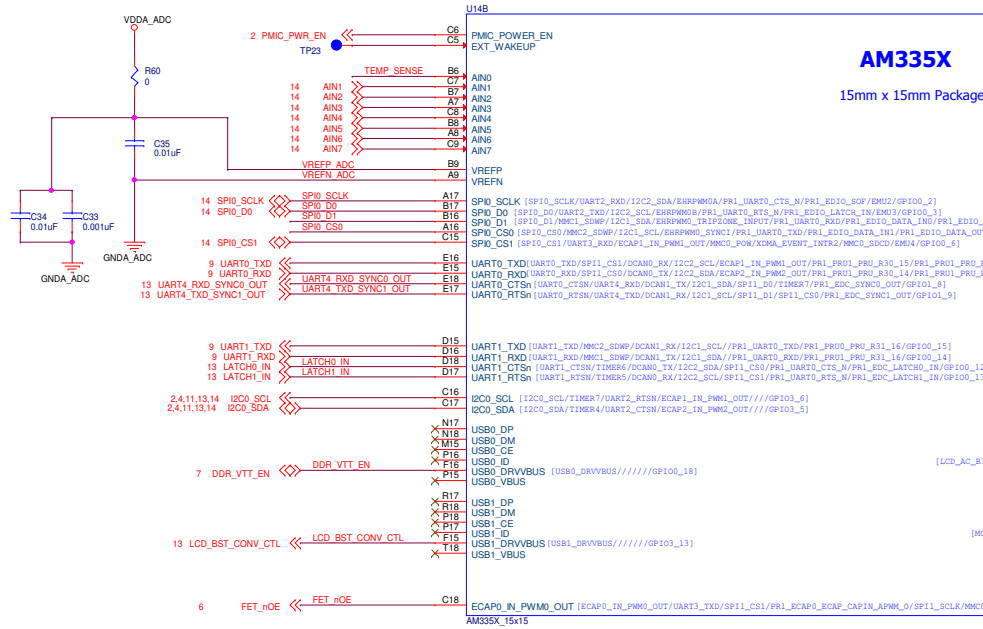
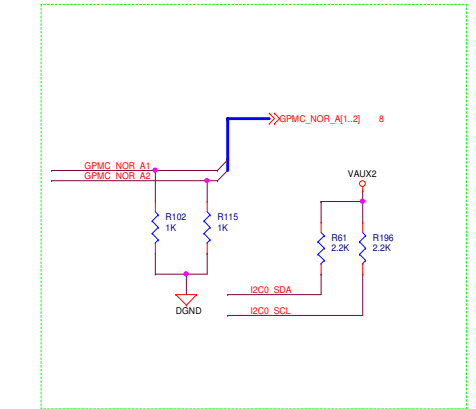
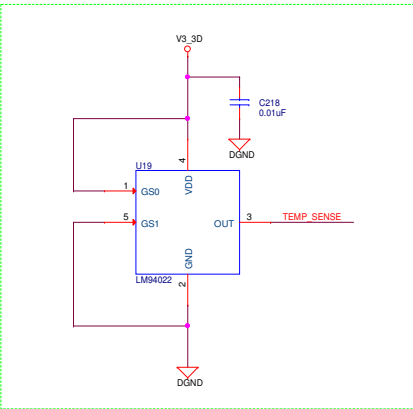


Table of pin connections for the AM335X processor, listing pin numbers, processor pin names, and board pin names.

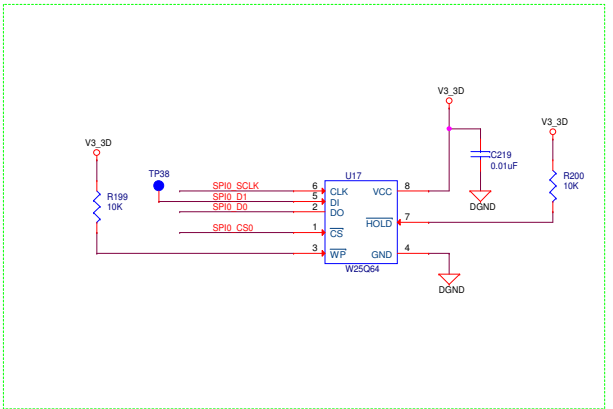
TEMPERATURE SENSOR



SPI FLASH



BOARD ID EEPROM

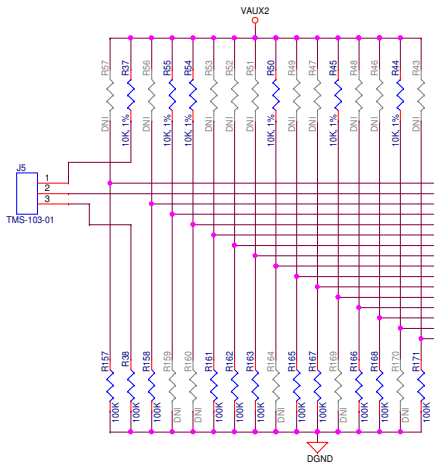


TIDEP0054

ARM MPU Texas Instruments, Inc. ARM MPU Business Unit 1500 TI Blvd Dallas, TX 75243 TMDXICE3359 AM335X 2 Of 3

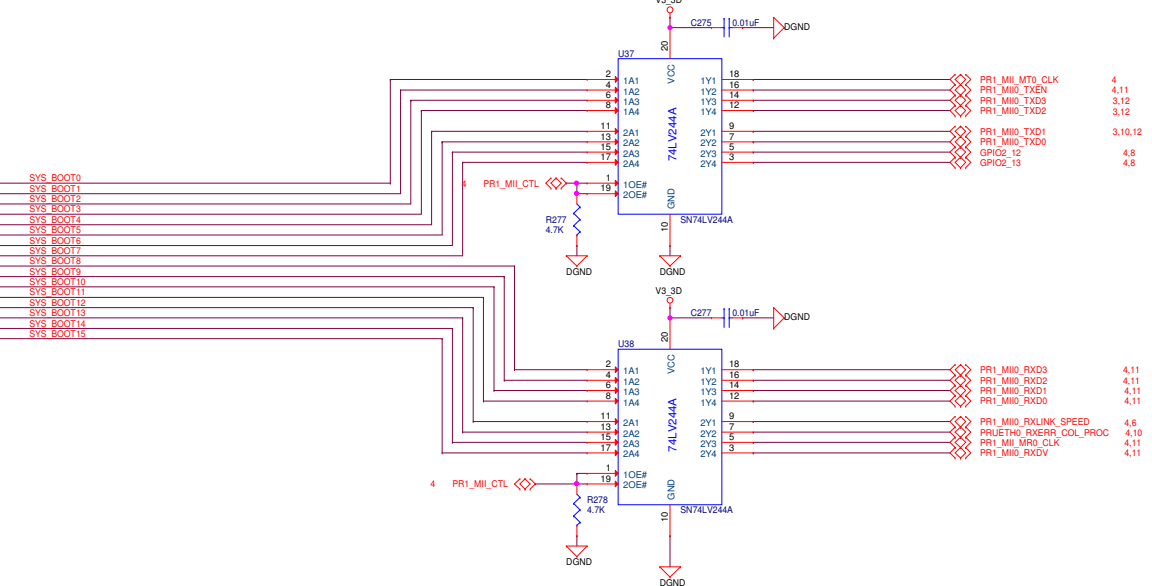


### BOOT CONFIGURATION

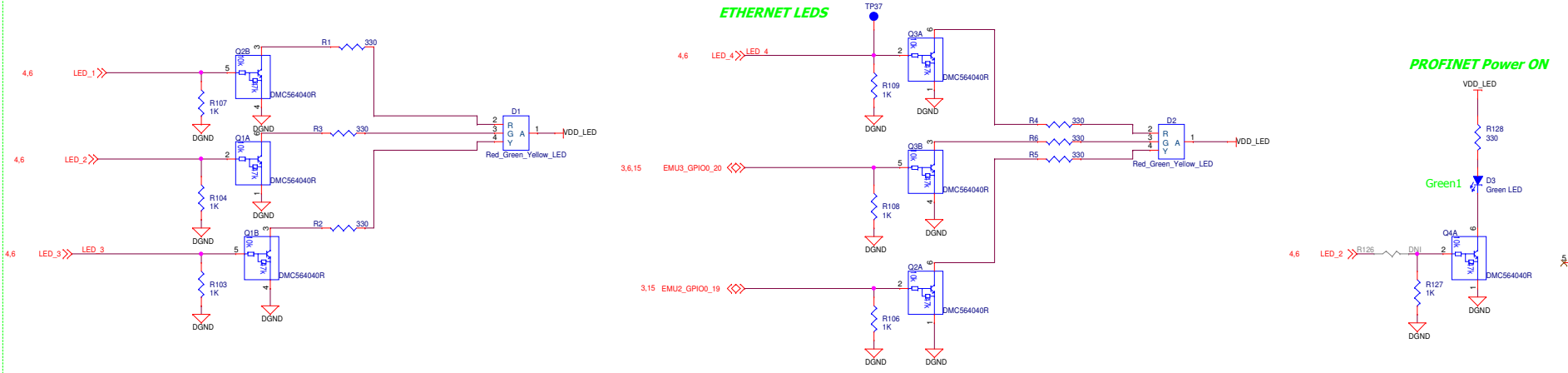


Check Hardware User's Guide for Boot Sequence Details

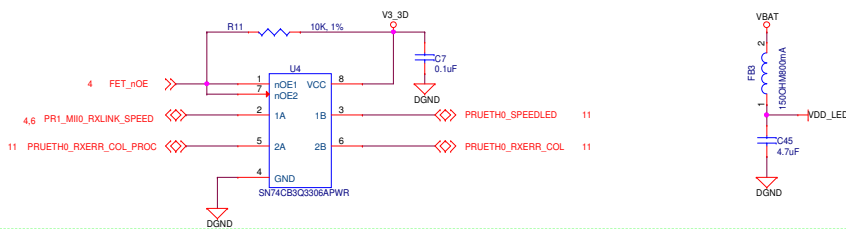
### SYS BOOT BUFFERS



### ETHERNET LEDS



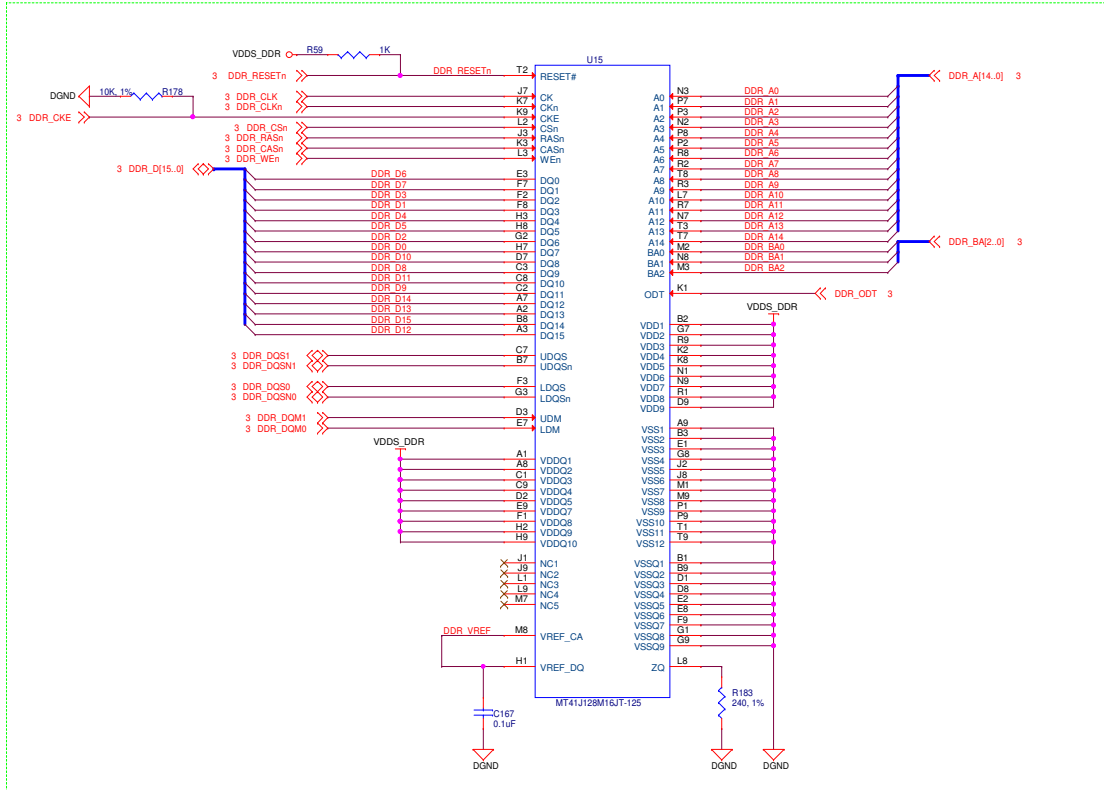
### FET SWITCH



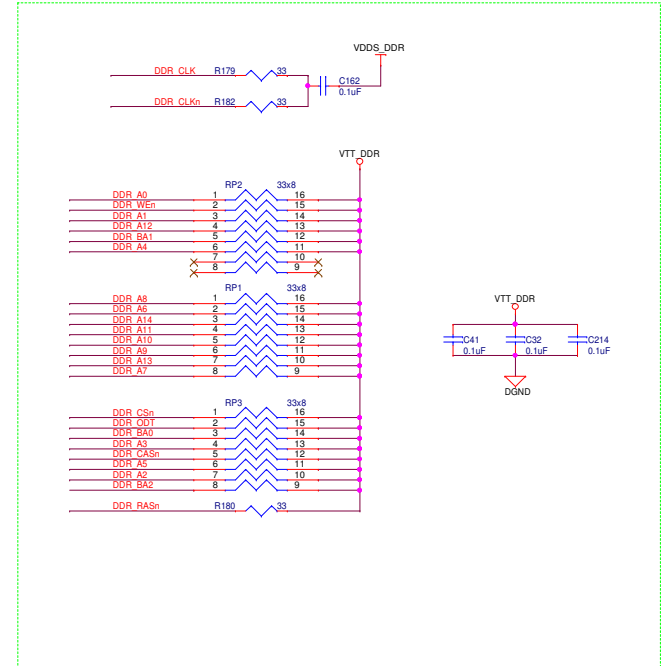
TIDEP0054

<b>ARM MPU</b>	<b>Texas Instruments, Inc.</b>		
	ARM MPU Business Unit 12500 TI Blvd Dallas, TX 75243		
	TMDXICE3359 SYSBOOT CONFIG & ETHERCAT LEDS		
	Size: C	Document Number: AM335X_ICE_3H0913_2V1A.dsn	Modified By: Ruchra
Date: Wednesday, April 17, 2013	Sheet: 6	of 15	

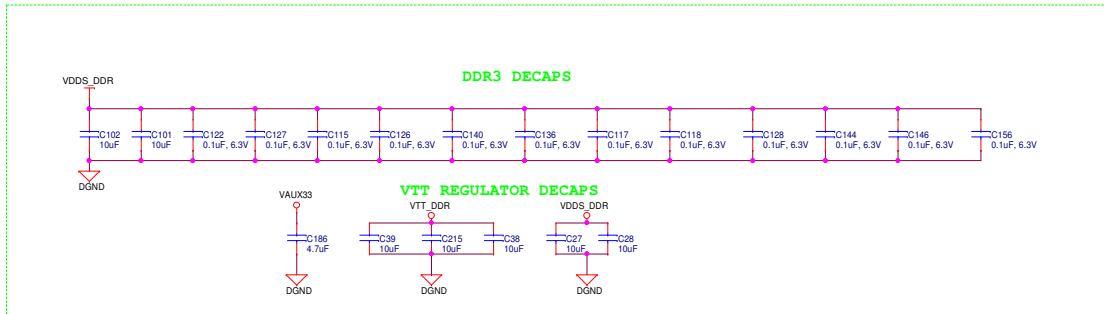
### DDR3 SDRAM



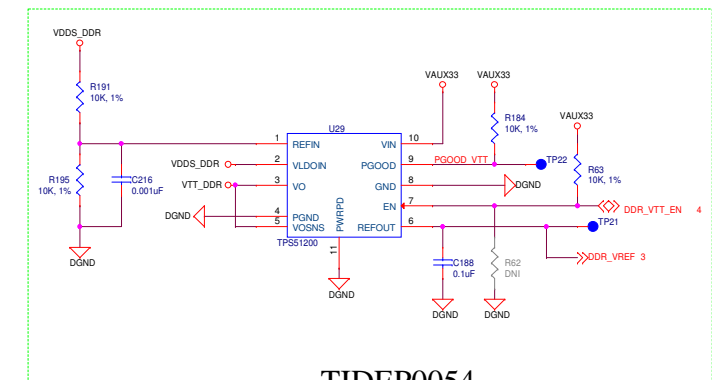
### Terminations



### DECAPS



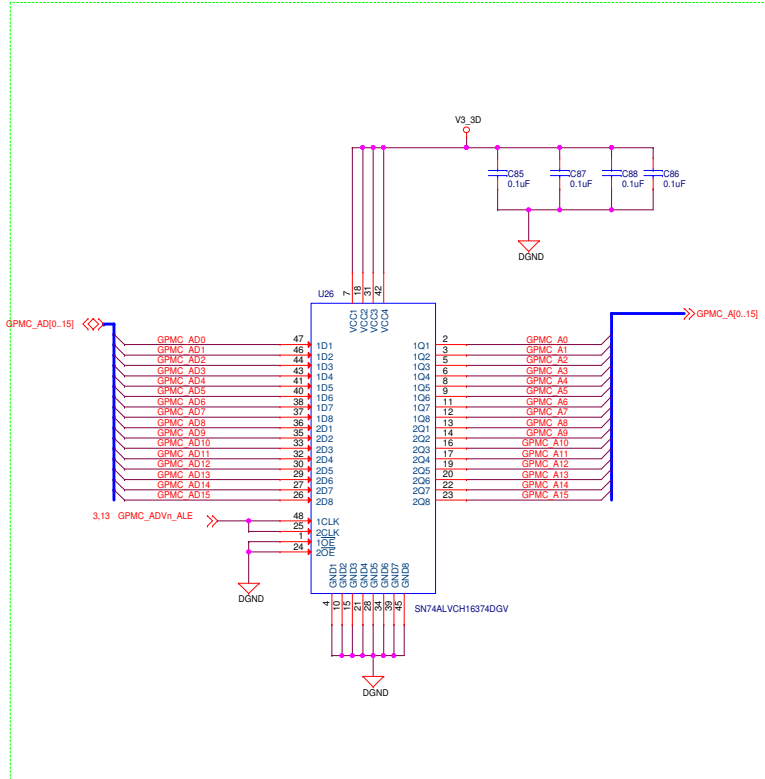
### VTT REGULATOR



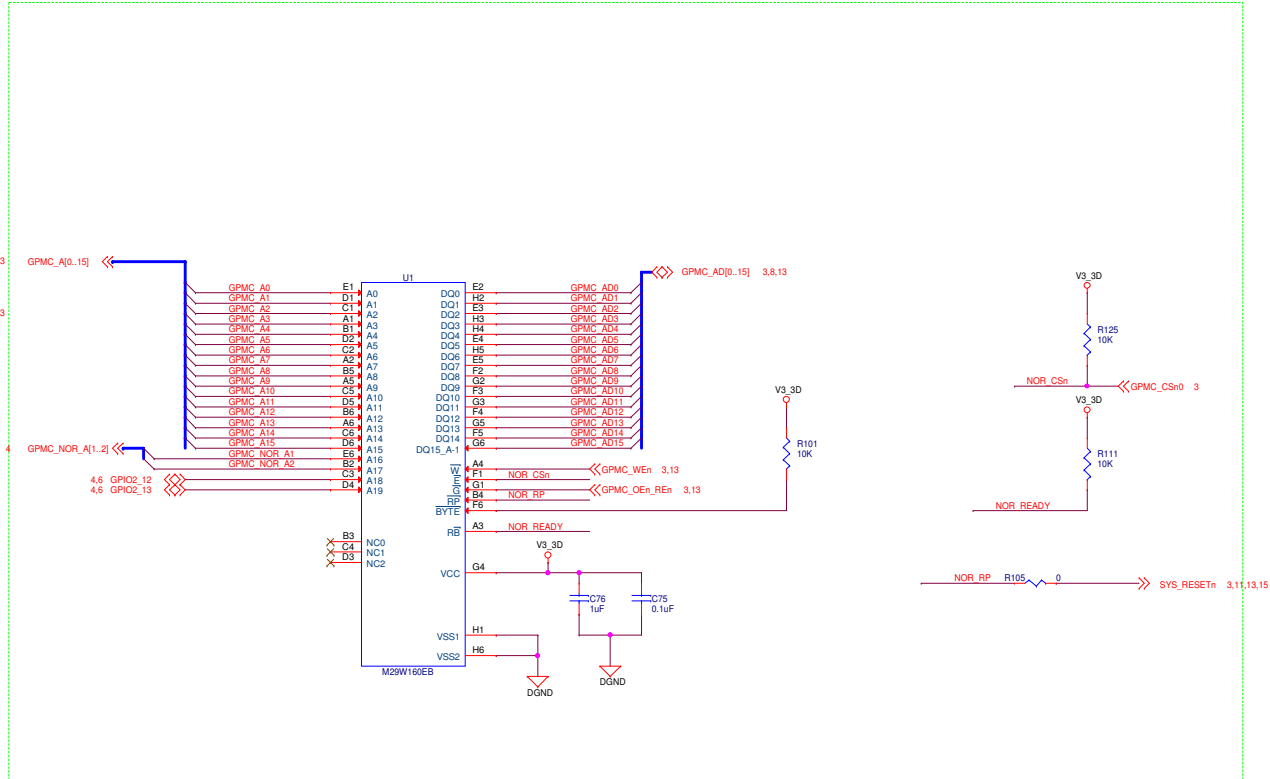
TIDEP0054

<b>ARM MPU</b>	<b>Texas Instruments, Inc.</b>		<b>TEXAS INSTRUMENTS</b>
	ARM MPU Business Unit 12500 TI Blvd Dallas, TX 75243		
<b>TMDXICE359</b>			
DDR3 Memory			
Size	Document Number	Modified By:	Rev
C	AM335X_ICE_3H0013_2V1A.dsn	Rachna	2.1A
Date:	Wednesday, April 17, 2013	Sheet: 7	of 15

**D FLIPFLOP**



**NOR FLASH**

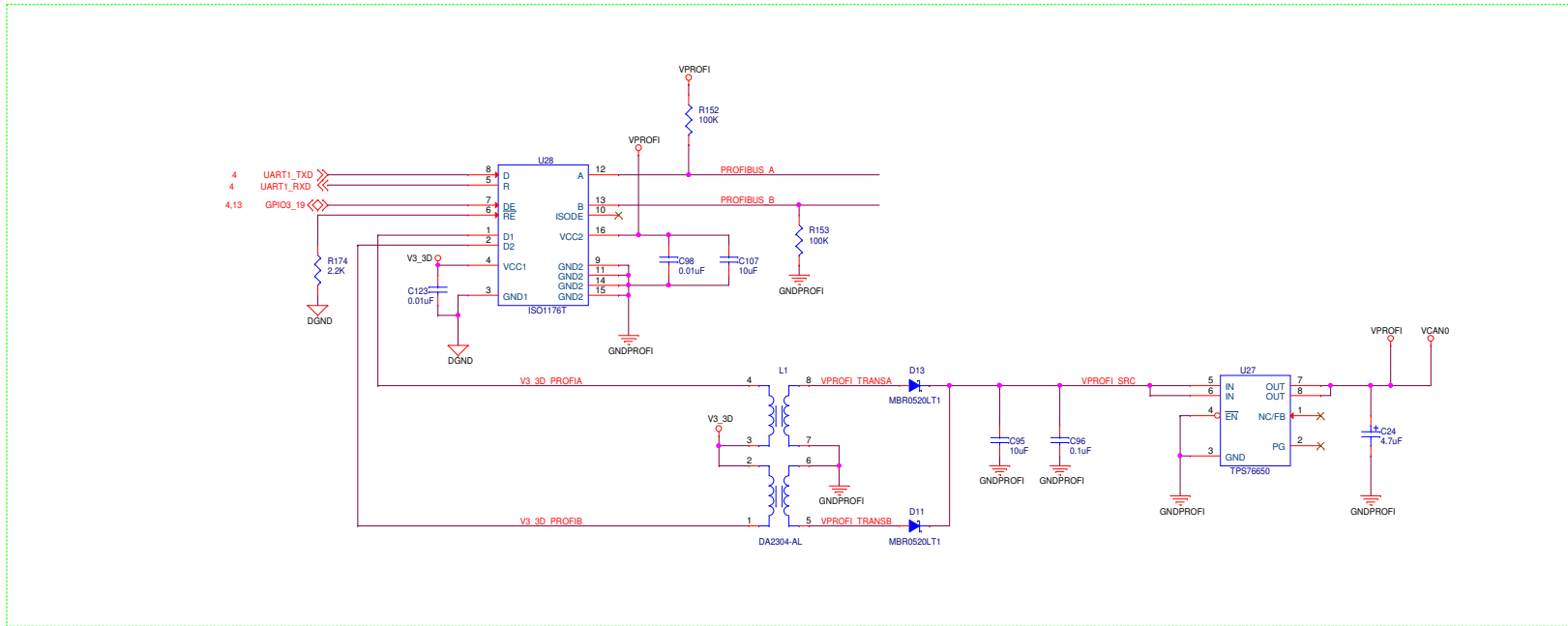


**TIDEP0054**

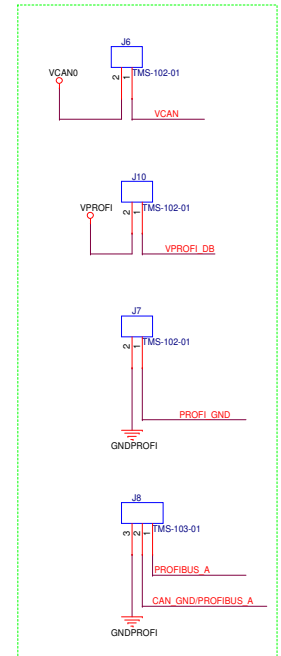
<b>ARM MPU</b>	<b>Texas Instruments, Inc.</b>		
	ARM MPU Business Unit 12500 TI Blvd Dallas, TX 75243		
	<b>TEXAS INSTRUMENTS</b>		
	TMDXICE3359 NOR FLASH INTERFACE		
	Size: C	Document Number: AM335X_ICE_3H0013_2V1A.dsn	Modified By: Radha
Date: Wednesday, April 17, 2013	Sheet: 6	of	15



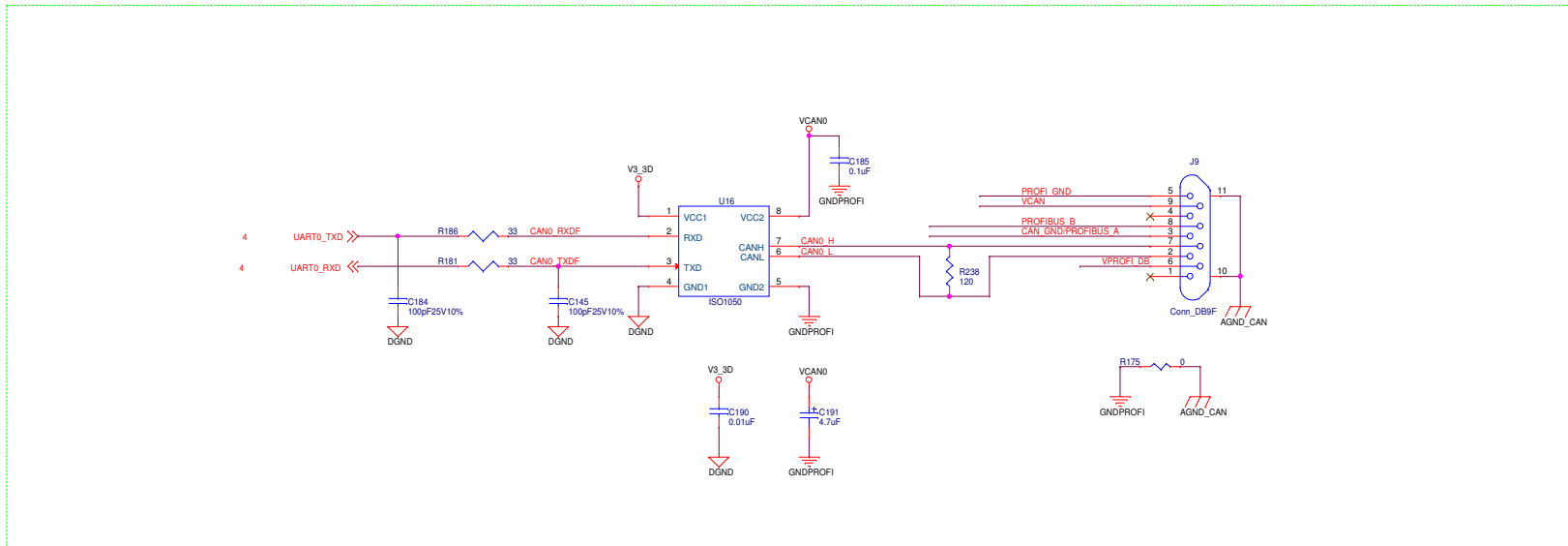
**PROFIBUS**



**CAN / PROFIBUS SELECTION**



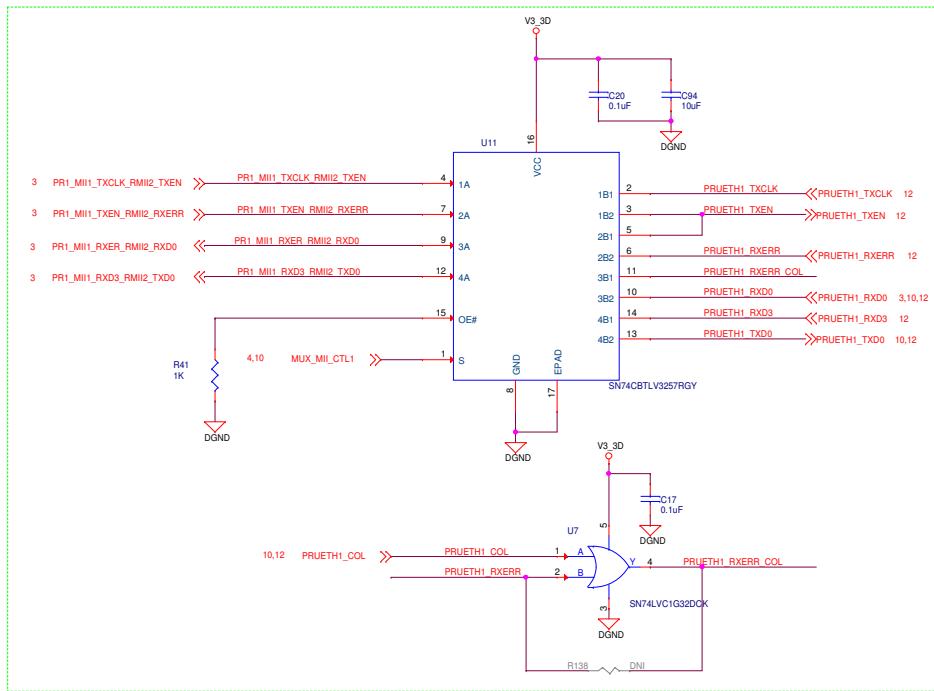
**CAN PORT**



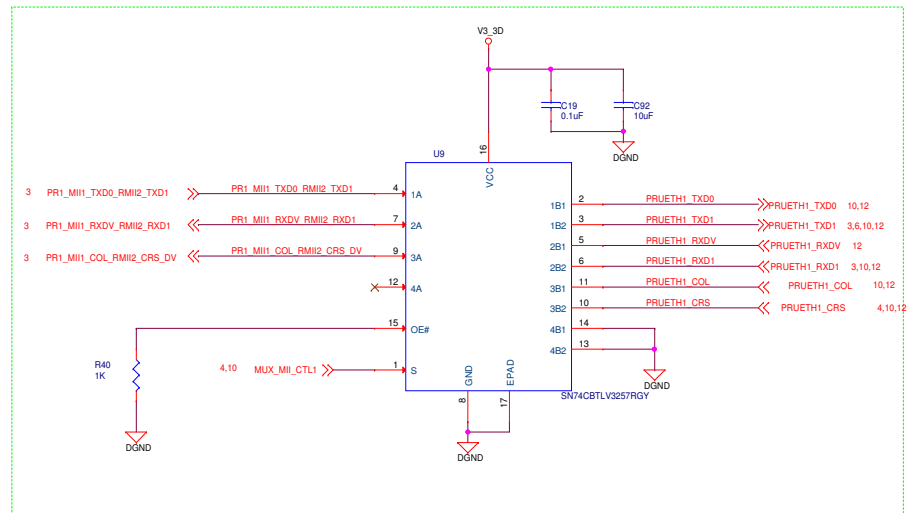
TIDEP0054

<b>ARM MPU</b>	<b>Texas Instruments, Inc.</b>			
	ARM MPU Business Unit 12500 TI Blvd Dallas, TX 75243			
	TMDXICE3359 CAN & PROFIBUS			
	Size C	Document Number AM335X_ICE_3H0013_2V1A.dsn	Modified By: Radha	Rev 2.1A
Date: Wednesday, April 17, 2013			Sheet: 9 of 15	

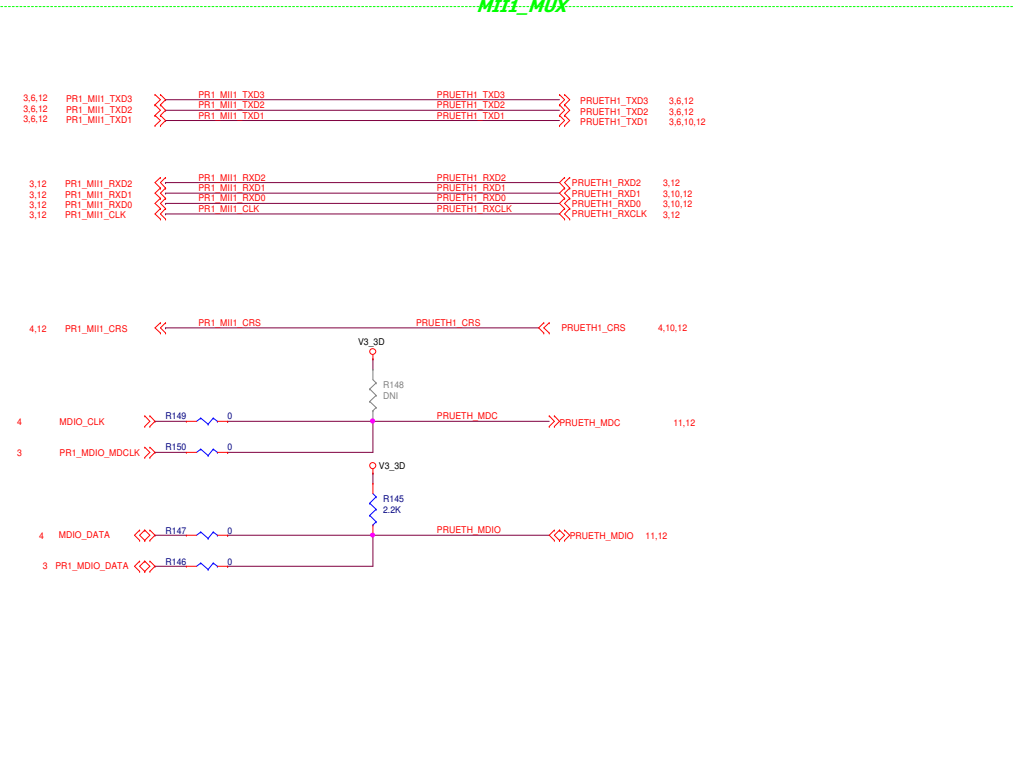
**MI11\_MUX1**



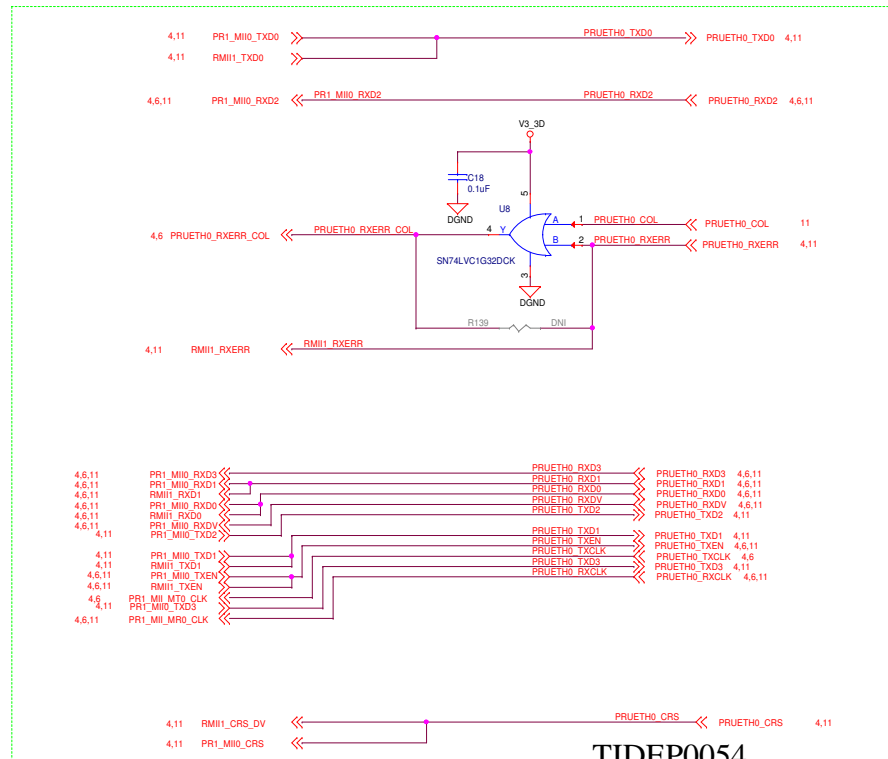
**MI11\_MUX2**



**MI11\_MUX**



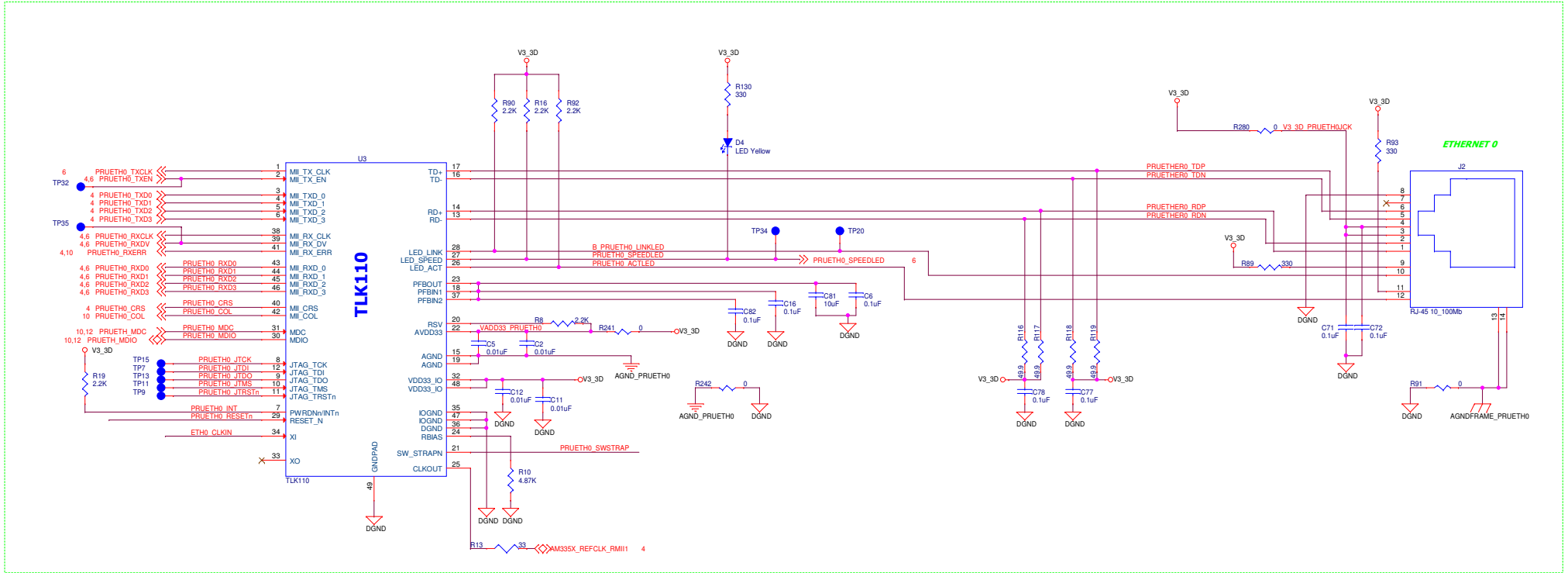
**MI10\_MUX**



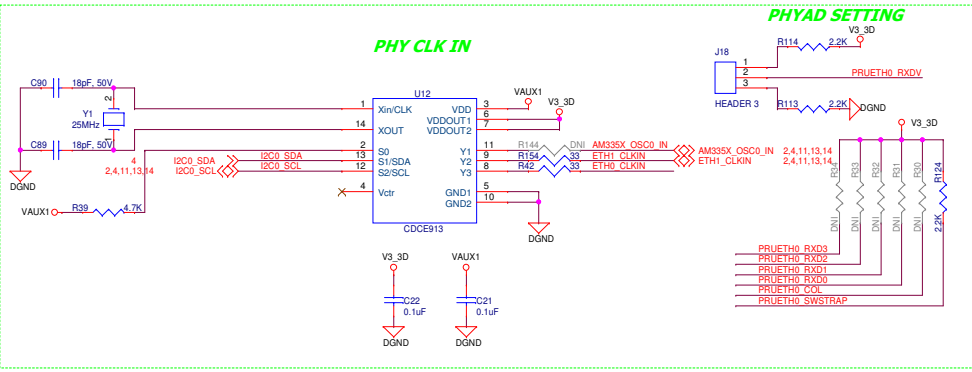
TIDEP0054

<b>ARM MPU</b>	<b>Texas Instruments, Inc.</b>		
	ARM MPU Business Unit 12500 TI Blvd Dallas, TX 75243		
<b>TMDXICE3359</b>			
PRU_CPSW_ETHERNET_MUX			
Size	Document Number	Modified By:	Rev
C	AM335X_ICE_3H0013_2V1A.dsn	Rachna	2.1A
Date:	Wednesday, April 17, 2013	Sheet: 10	of 15

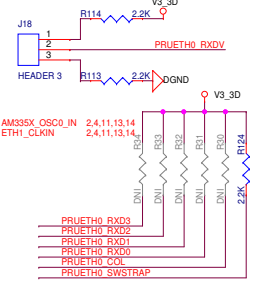
### ETHERNET 0



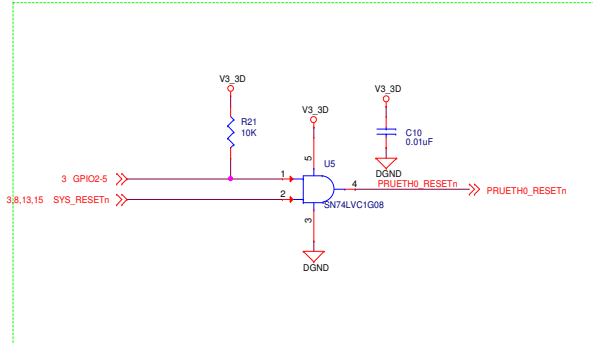
### PHY CLK IN



### PHYAD SETTING



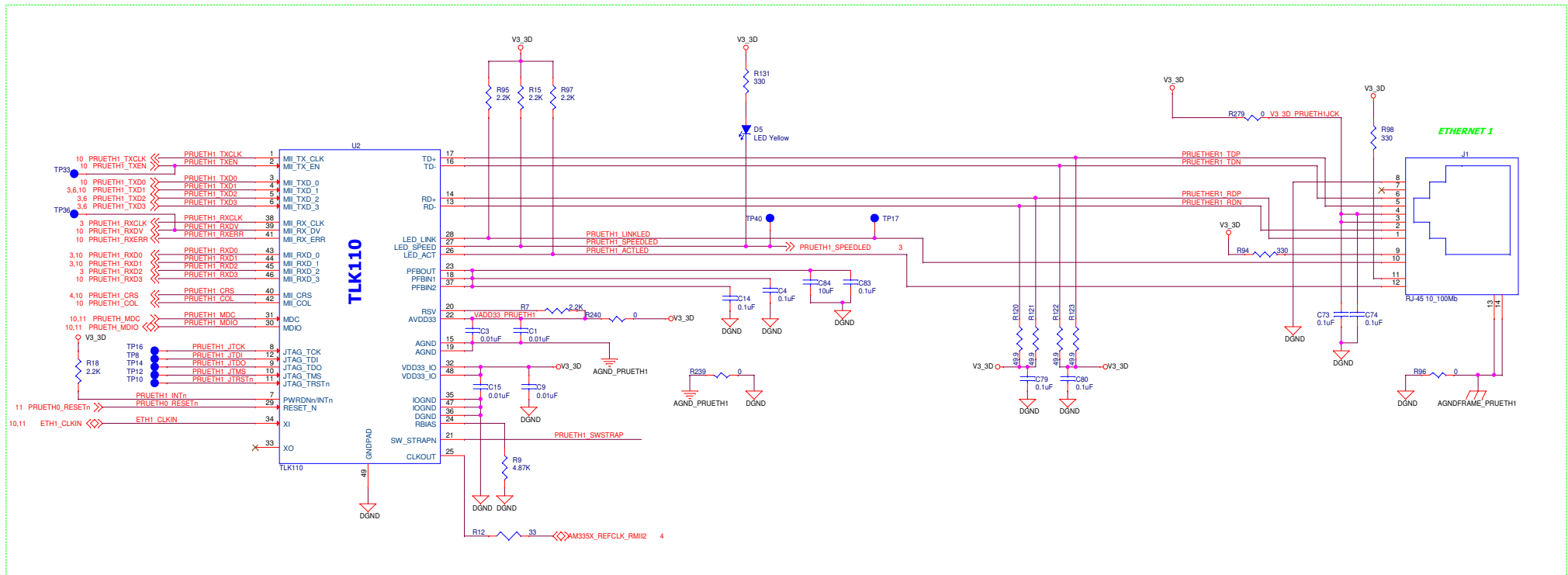
### ETHERNET 0&1 RESET



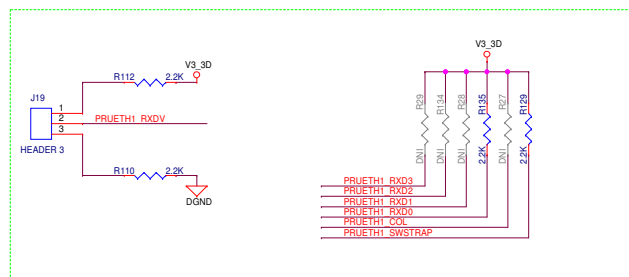
TIDEP0054

<b>ARM MPU</b>	<b>Texas Instruments, Inc.</b>		<b>TEXAS INSTRUMENTS</b>
	ARM MPU Business Unit 12500 TI Blvd Dallas, TX 75243		
<b>TMDXICE3359</b>			
Ethernet 0			
Size	Document Number	Modified By:	Rev
C	AM335X_ICE_3H0013_2V1A.dsn	Rachna	2.1A
Date:	Wednesday, April 17, 2013	Sheet: 11	of 15

### ETHERNET 1



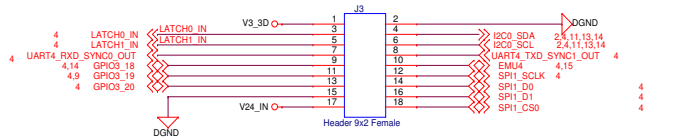
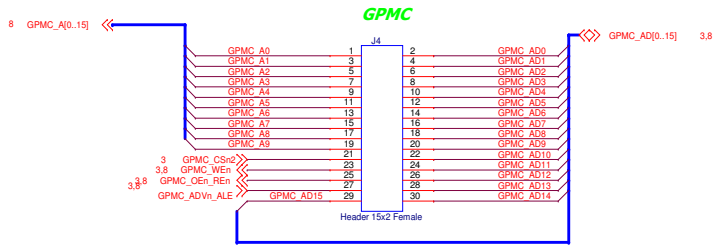
### PHYAD SETTING



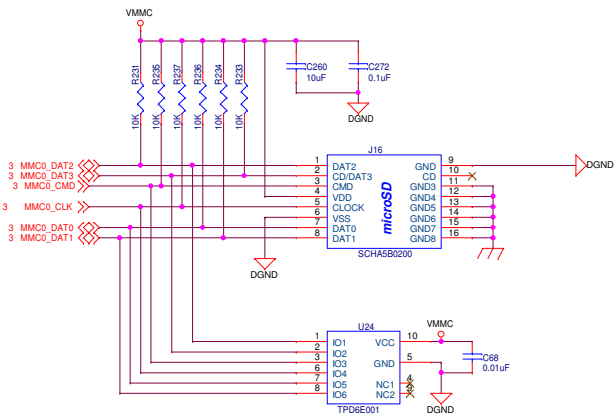
TIDEP0054

<b>ARM MPU</b>	<b>Texas Instruments, Inc.</b>			
	ARM MPU Business Unit 12500 TI Blvd Dallas, TX 75243			
	TMDXICE3359 ETHERNET 1			
	Size C	Document Number AM335X_ICE_3H0013_2V1A.dsn	Modified By: Radha	Rev 2.1A
Date: Wednesday, April 17, 2013		Sheet: 12	of 15	

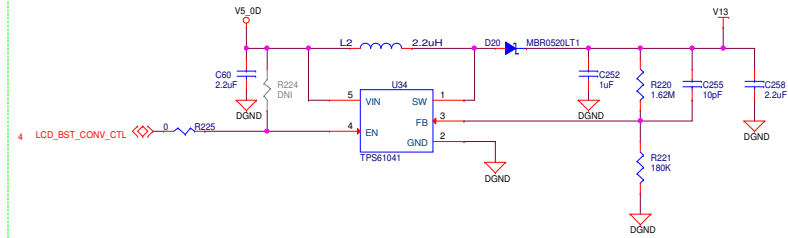
### HOST EXPANSION HEADERS



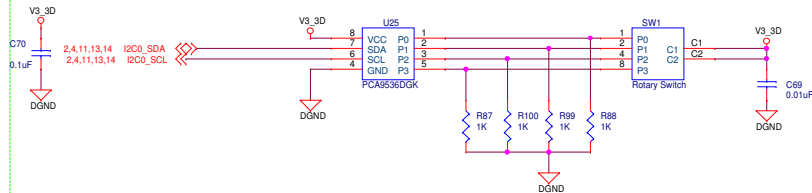
### MICRO SD CARD SOCKET



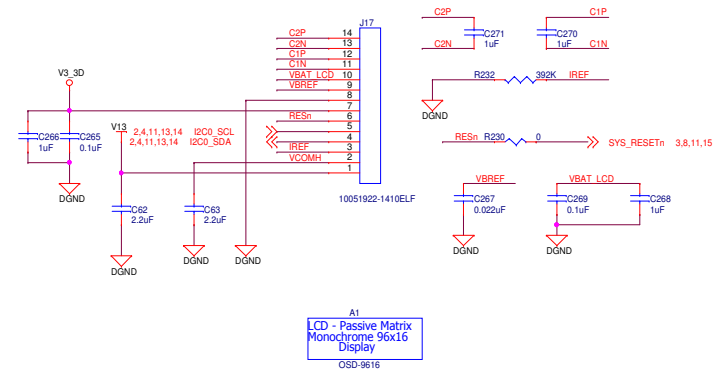
### 5V TO 13V BOOST CONVERTER



### ROTARY SWITCH - INDUSTRIAL ETHERNET SLAVE ADDRESS SELECTOR



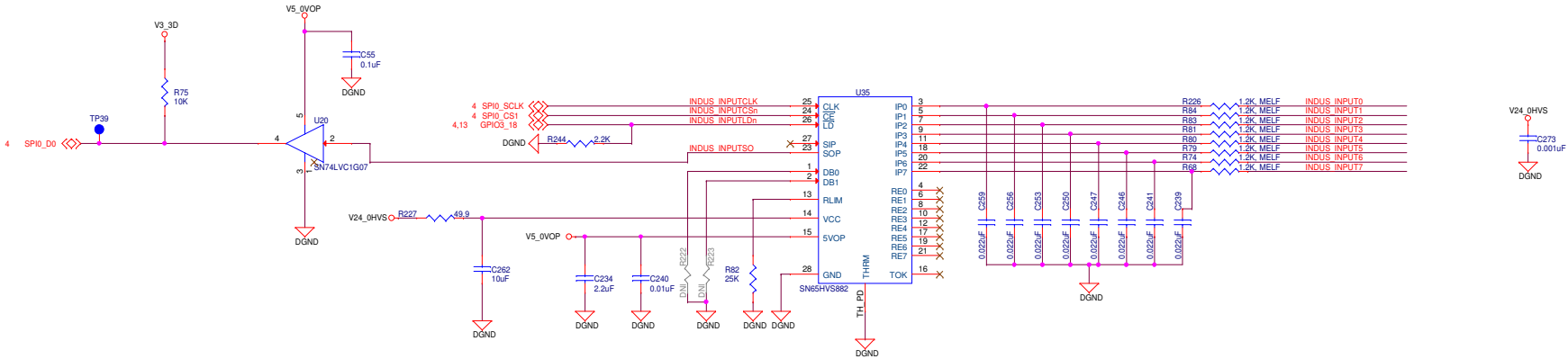
### MONOCHROME LCD INTERFACE



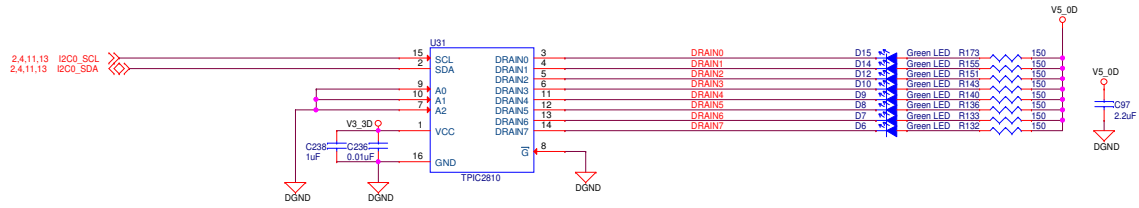
TIDEP0054

<b>ARM MPU</b>	<b>Texas Instruments, Inc.</b>		<b>TEXAS INSTRUMENTS</b>
	ARM MPU Business Unit 12500 TI Blvd Dallas, TX 75243		
TMDXICE3359 HOST EXPANSION & MMC0 & LCD			
Size	Document Number	Modified By:	Rev
C	AM335X_ICE_3H0013_2V1A.dsn	Rachna	2.1A
Date:	Wednesday, April 17, 2013	Sheet: 13	of 15

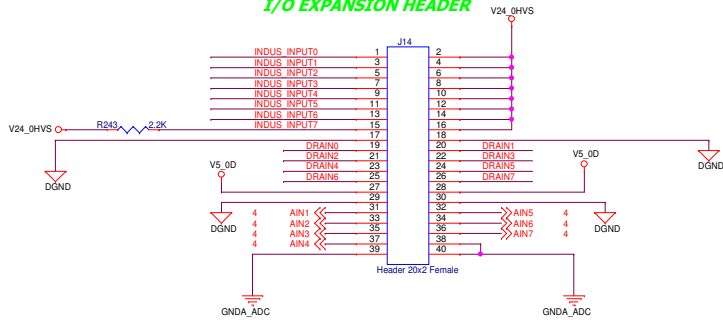
### DIGITAL INPUTS



### DIGITAL OUTPUTS



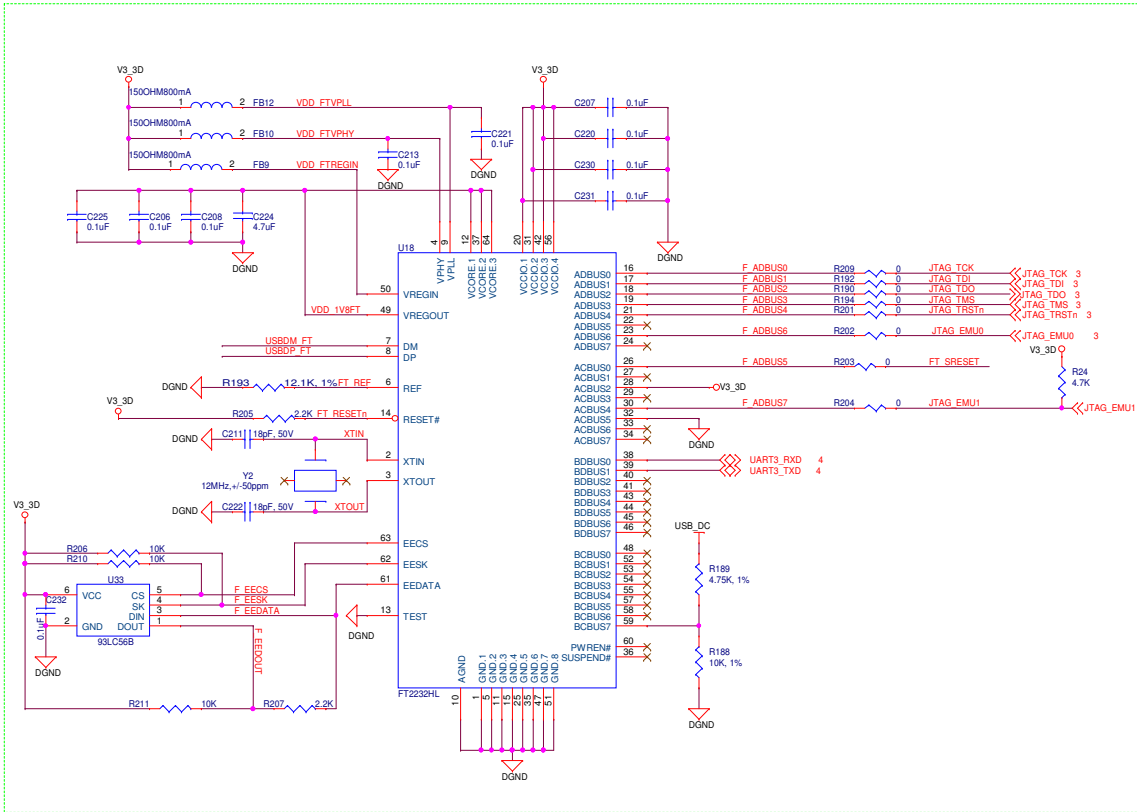
### I/O EXPANSION HEADER



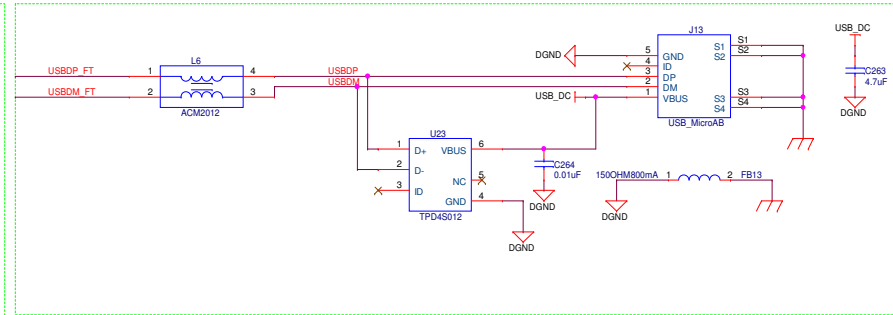
TIDEP0054

<b>ARM MPU</b>	<b>Texas Instruments, Inc.</b>			
	ARM MPU Business Unit 15200 TI Blvd Dallas, TX 75243			
	<b>TMDXICE3359</b> Industrial Inputs/Outputs			
	Size C	Document Number AM335X_JCE_3H0013_2V1A.dsn	Modified By: Radha	Rev 2.1A
	Date: Wednesday, April 17, 2013	Sheet: 14	of 15	

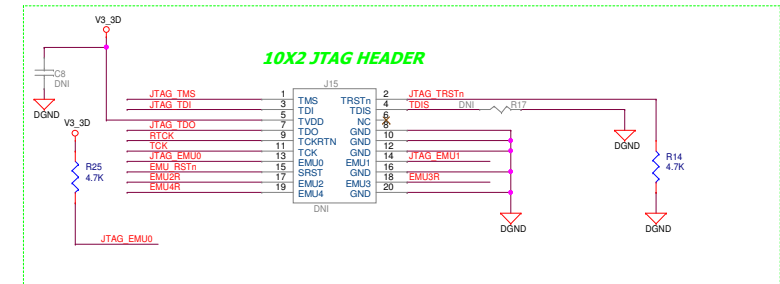
## USB TO UART / JTAG



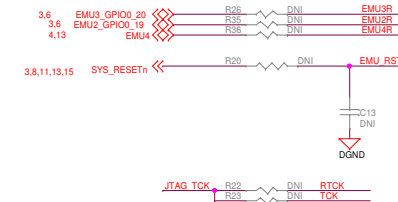
## Micro USB-AB



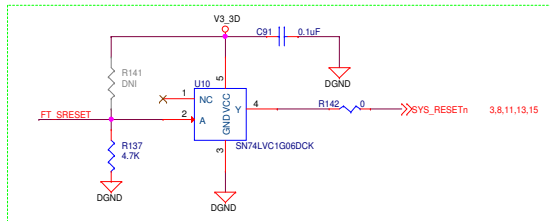
## 10X2 JTAG HEADER



## BREAK UP RESISTORS



## FT2232L RESET



TIDEP0054

<b>ARM MPU</b>	<b>Texas Instruments, Inc.</b>		<b>TEXAS INSTRUMENTS</b>
	ARM MPU Business Unit 12500 TI Blvd Dallas, TX 75243		
TMDXICE3359 USB_TO_UART/JTAG			
Size	Document Number	Modified By:	Rev
C	AM335X_ICE_3H0013_2V1A.dsn	Rudra	2.1A
Date:	Wednesday, April 17, 2013	Sheet:	15 of 15

## IMPORTANT NOTICE FOR TI REFERENCE DESIGNS

Texas Instruments Incorporated ("TI") reference designs are solely intended to assist designers ("Designer(s)") who are developing systems that incorporate TI products. TI has not conducted any testing other than that specifically described in the published documentation for a particular reference design.

TI's provision of reference designs and any other technical, applications or design advice, quality characterization, reliability data or other information or services does not expand or otherwise alter TI's applicable published warranties or warranty disclaimers for TI products, and no additional obligations or liabilities arise from TI providing such reference designs or other items.

TI reserves the right to make corrections, enhancements, improvements and other changes to its reference designs and other items.

Designer understands and agrees that Designer remains responsible for using its independent analysis, evaluation and judgment in designing Designer's systems and products, and has full and exclusive responsibility to assure the safety of its products and compliance of its products (and of all TI products used in or for such Designer's products) with all applicable regulations, laws and other applicable requirements. Designer represents that, with respect to its applications, it has all the necessary expertise to create and implement safeguards that (1) anticipate dangerous consequences of failures, (2) monitor failures and their consequences, and (3) lessen the likelihood of failures that might cause harm and take appropriate actions. Designer agrees that prior to using or distributing any systems that include TI products, Designer will thoroughly test such systems and the functionality of such TI products as used in such systems. Designer may not use any TI products in life-critical medical equipment unless authorized officers of the parties have executed a special contract specifically governing such use. Life-critical medical equipment is medical equipment where failure of such equipment would cause serious bodily injury or death (e.g., life support, pacemakers, defibrillators, heart pumps, neurostimulators, and implantables). Such equipment includes, without limitation, all medical devices identified by the U.S. Food and Drug Administration as Class III devices and equivalent classifications outside the U.S.

Designers are authorized to use, copy and modify any individual TI reference design only in connection with the development of end products that include the TI product(s) identified in that reference design. HOWEVER, NO OTHER LICENSE, EXPRESS OR IMPLIED, BY ESTOPPEL OR OTHERWISE TO ANY OTHER TI INTELLECTUAL PROPERTY RIGHT, AND NO LICENSE TO ANY TECHNOLOGY OR INTELLECTUAL PROPERTY RIGHT OF TI OR ANY THIRD PARTY IS GRANTED HEREIN, including but not limited to any patent right, copyright, mask work right, or other intellectual property right relating to any combination, machine, or process in which TI products or services are used. Information published by TI regarding third-party products or services does not constitute a license to use such products or services, or a warranty or endorsement thereof. Use of the reference design or other items described above may require a license from a third party under the patents or other intellectual property of the third party, or a license from TI under the patents or other intellectual property of TI.

TI REFERENCE DESIGNS AND OTHER ITEMS DESCRIBED ABOVE ARE PROVIDED "AS IS" AND WITH ALL FAULTS. TI DISCLAIMS ALL OTHER WARRANTIES OR REPRESENTATIONS, EXPRESS OR IMPLIED, REGARDING THE REFERENCE DESIGNS OR USE OF THE REFERENCE DESIGNS, INCLUDING BUT NOT LIMITED TO ACCURACY OR COMPLETENESS, TITLE, ANY EPIDEMIC FAILURE WARRANTY AND ANY IMPLIED WARRANTIES OF MERCHANTABILITY, FITNESS FOR A PARTICULAR PURPOSE, AND NON-INFRINGEMENT OF ANY THIRD PARTY INTELLECTUAL PROPERTY RIGHTS.

TI SHALL NOT BE LIABLE FOR AND SHALL NOT DEFEND OR INDEMNIFY DESIGNERS AGAINST ANY CLAIM, INCLUDING BUT NOT LIMITED TO ANY INFRINGEMENT CLAIM THAT RELATES TO OR IS BASED ON ANY COMBINATION OF PRODUCTS AS DESCRIBED IN A TI REFERENCE DESIGN OR OTHERWISE. IN NO EVENT SHALL TI BE LIABLE FOR ANY ACTUAL, DIRECT, SPECIAL, COLLATERAL, INDIRECT, PUNITIVE, INCIDENTAL, CONSEQUENTIAL OR EXEMPLARY DAMAGES IN CONNECTION WITH OR ARISING OUT OF THE REFERENCE DESIGNS OR USE OF THE REFERENCE DESIGNS, AND REGARDLESS OF WHETHER TI HAS BEEN ADVISED OF THE POSSIBILITY OF SUCH DAMAGES.

TI's standard terms of sale for semiconductor products (<http://www.ti.com/sc/docs/stdterms.htm>) apply to the sale of packaged integrated circuit products. Additional terms may apply to the use or sale of other types of TI products and services.

Designer will fully indemnify TI and its representatives against any damages, costs, losses, and/or liabilities arising out of Designer's non-compliance with the terms and provisions of this Notice.

Mailing Address: Texas Instruments, Post Office Box 655303, Dallas, Texas 75265  
Copyright © 2016, Texas Instruments Incorporated