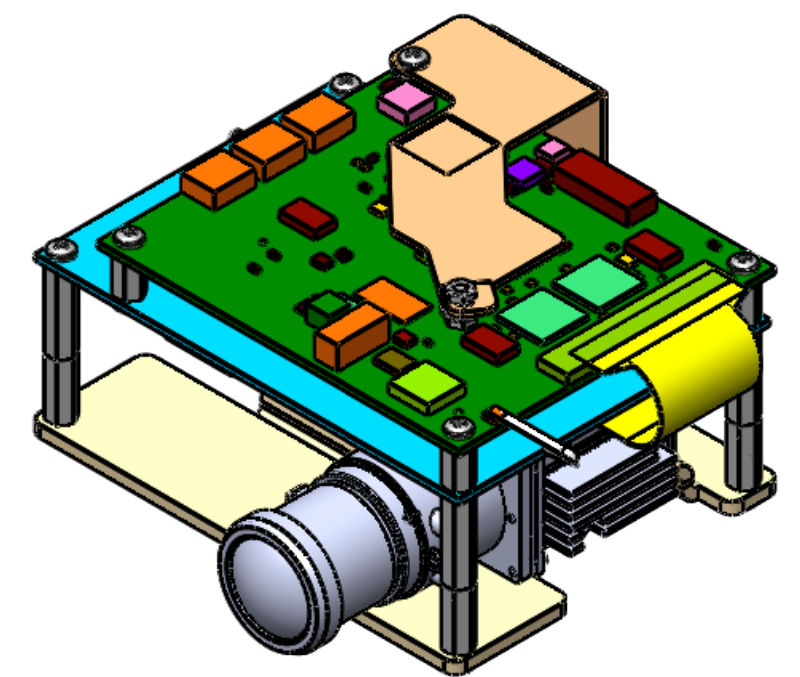
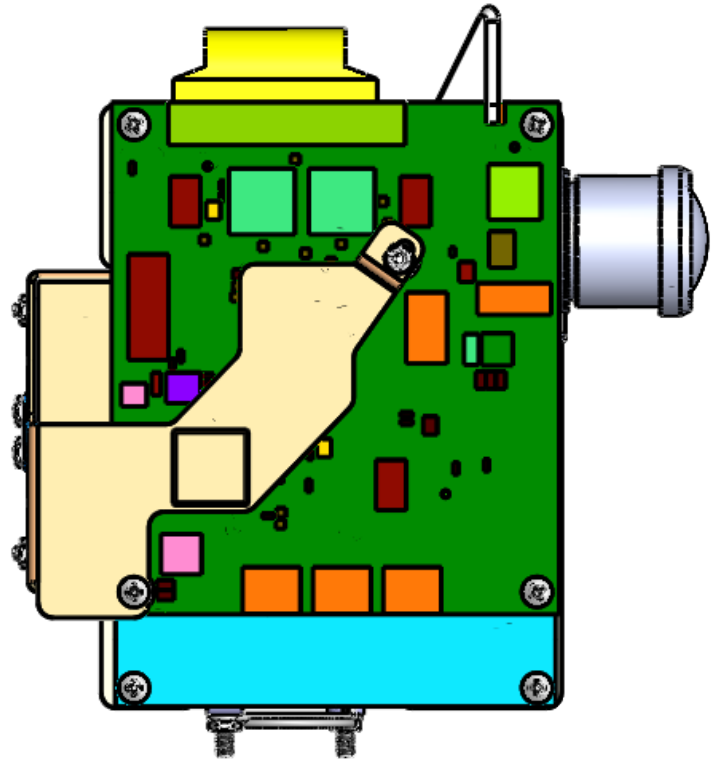
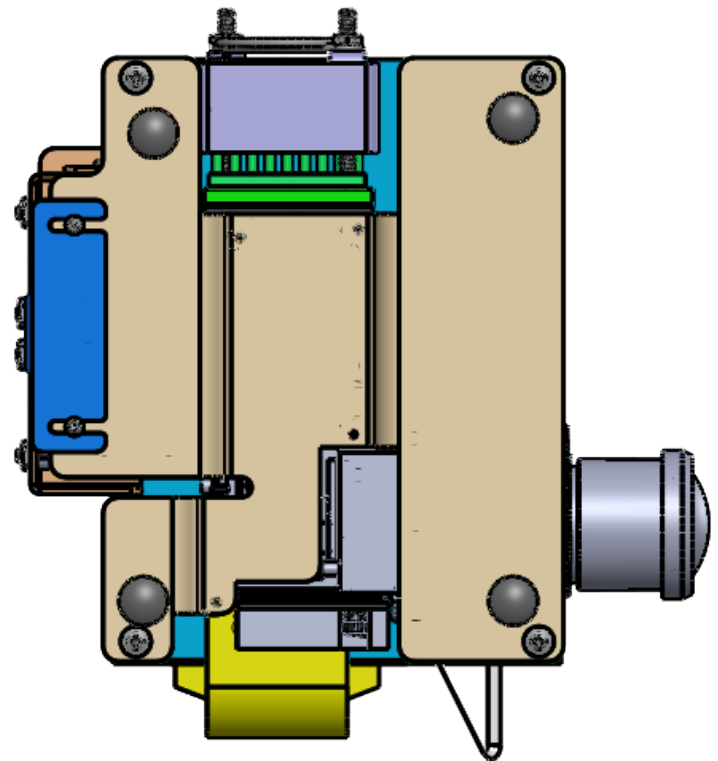
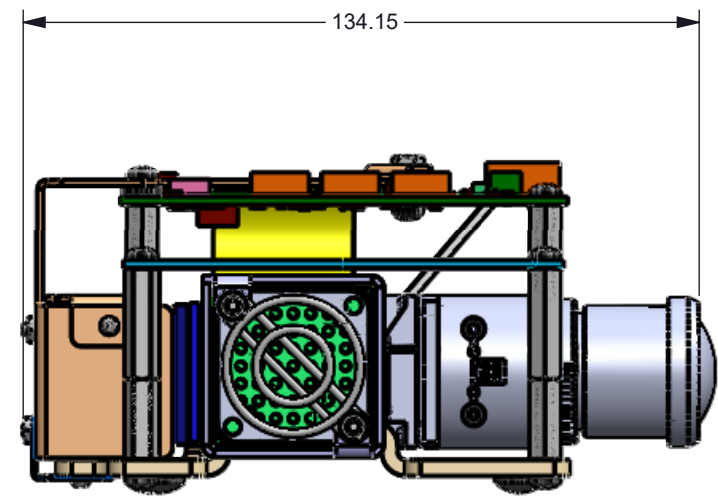
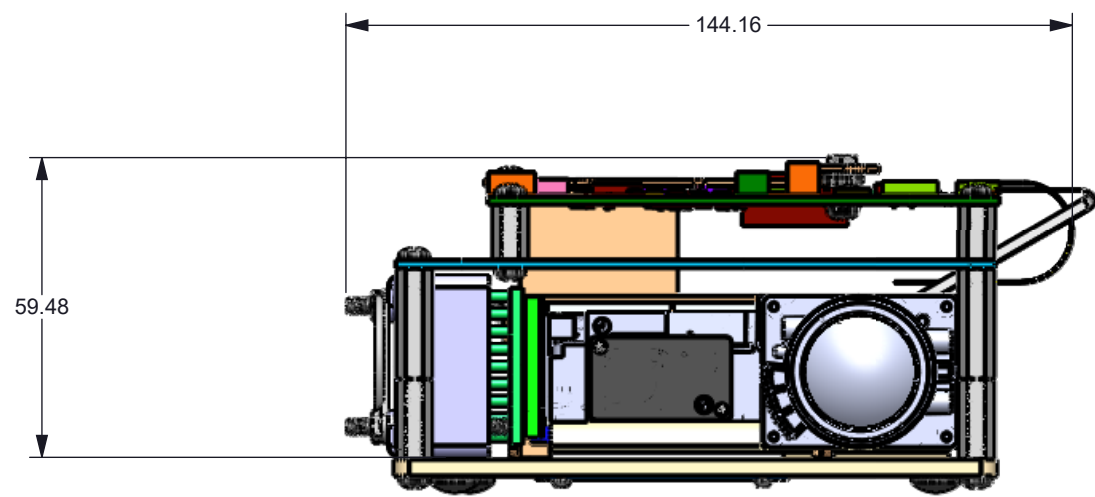


NOTES: UNLESS OTHERWISE SPECIFIED:

© COPYRIGHT 2014 TEXAS INSTRUMENTS UNPUBLISHED, ALL RIGHTS RESERVED

REVISIONS			
REV	DESCRIPTION	DATE	BY
A	INITIAL DRAWING RELEASE	9/1/17	JCC
B	ADDITIONAL NOTES ADDED, HARDWARE CHANGED	9/25/17	JCC
C	LED LIGHT BLOCK ADDED	10/2/17	JCC
D	NOTES ADDED TO ALL SHEETS, BOMs UPDATED	10/10/17	JCC
E	ITEM 14 ON SHEET 3 CHANGED	10/19/17	JCC
F	CHANGED ITEM SHEET 6, BOM UPDATED	10/20/17	JCC
G	CHANGED ITEM ON SHEETS 2, 5 & 6	12/12/17	JCC



D

D

C

C

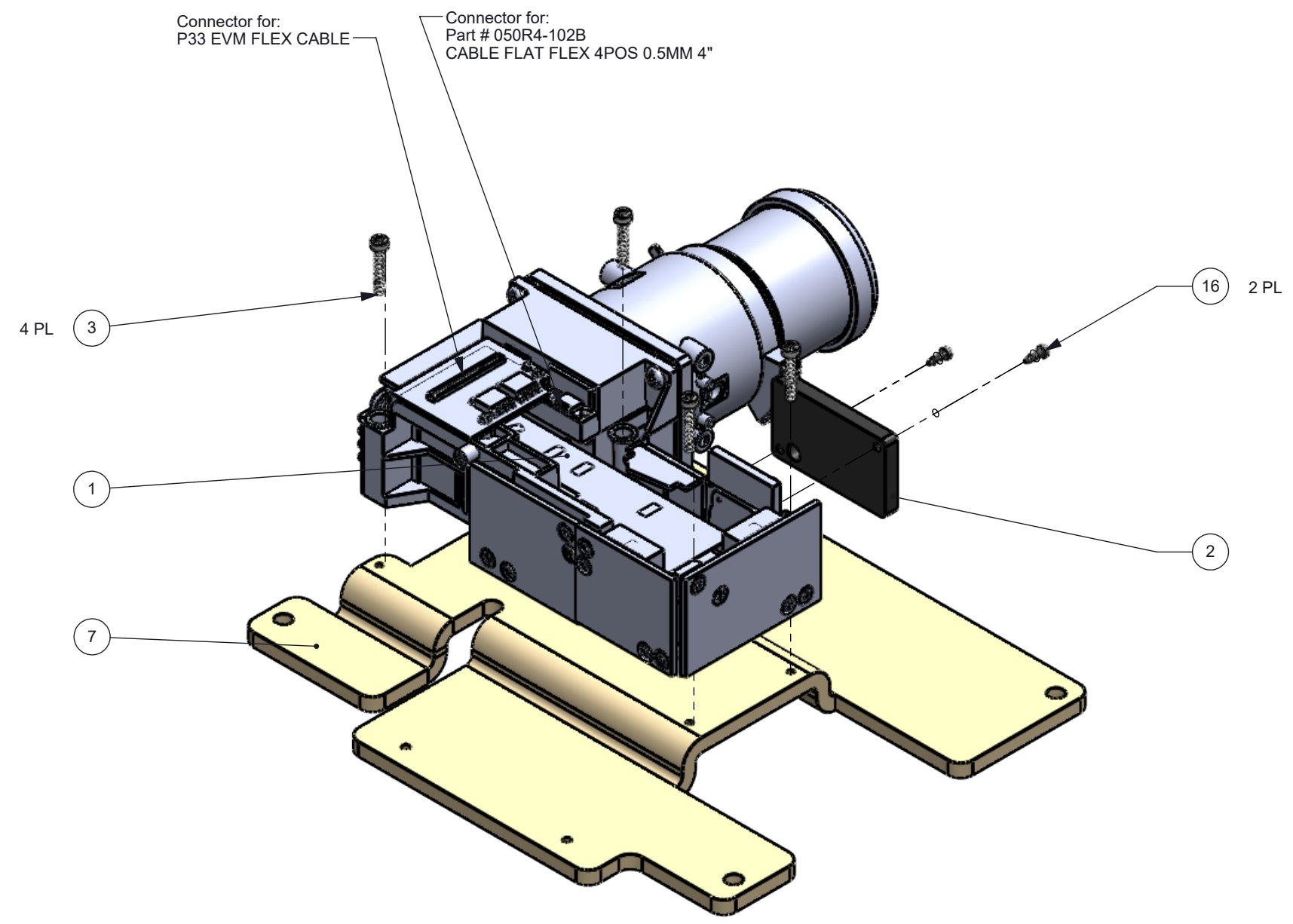
B

B

A

A

UNLESS OTHERWISE SPECIFIED		DWN Justin Chambliss	DATE 9/1/2017	 TEXAS INSTRUMENTS P33 XPR EVM KIT									
<ul style="list-style-type: none"> DIMENSIONS ARE IN MILLIMETERS TOLERANCES: ANGLES ±1° 2 PLACE DECIMALS ±0.25 1 PLACE DECIMALS ±0.50 DIMENSIONAL LIMITS APPLY BEFORE PROCESSES INTERPRET DIMENSIONS IN ACCORDANCE WITH ASME Y14.5M-1994 REMOVE ALL BURRS AND SHARP EDGES PARENTHETICAL INFO FOR REF ONLY 		Engr Justin Chambliss	8/1/2017										
<table border="1"> <tr> <td>NEXT ASSY</td> <td>USED ON</td> </tr> <tr> <td> </td> <td> </td> </tr> <tr> <td colspan="2">APPLICATION</td> </tr> </table>		NEXT ASSY	USED ON			APPLICATION		CQE/QA		<table border="1"> <tr> <td>SIZE B</td> <td>DWG NO P33-EVM-TOP-ASM</td> <td>REV G</td> </tr> </table>	SIZE B	DWG NO P33-EVM-TOP-ASM	REV G
NEXT ASSY	USED ON												
APPLICATION													
SIZE B	DWG NO P33-EVM-TOP-ASM	REV G											
		CM		SCALE 1:5									
		Apprvd		SHEET 1 OF 7									



ITEM NO.	PART NUMBER	DESCRIPTION	QTY.
1	P331080P	YOI OPTICAL ENGINE (Young Optics)	1
2	P33-EVM-LED-LIGHT-BLOCK	LED LIGHT BLOCK	1
3	91292A265	M1.6x10mm SHCS (McMaster-Carr)	4
7	P33-EVM-BASE	P33 EVM BASE PLATE	1
16	96817A746	M1.2x4mm Torx PH TRS (McMaster-Carr)	2



DWN Justin Chambliss
DATE 9/1/2017

SIZE B
DWG NO P33-EVM-TOP-ASM
SCALE 2:1
SHEET 2 OF 7
REV G

D

D

C

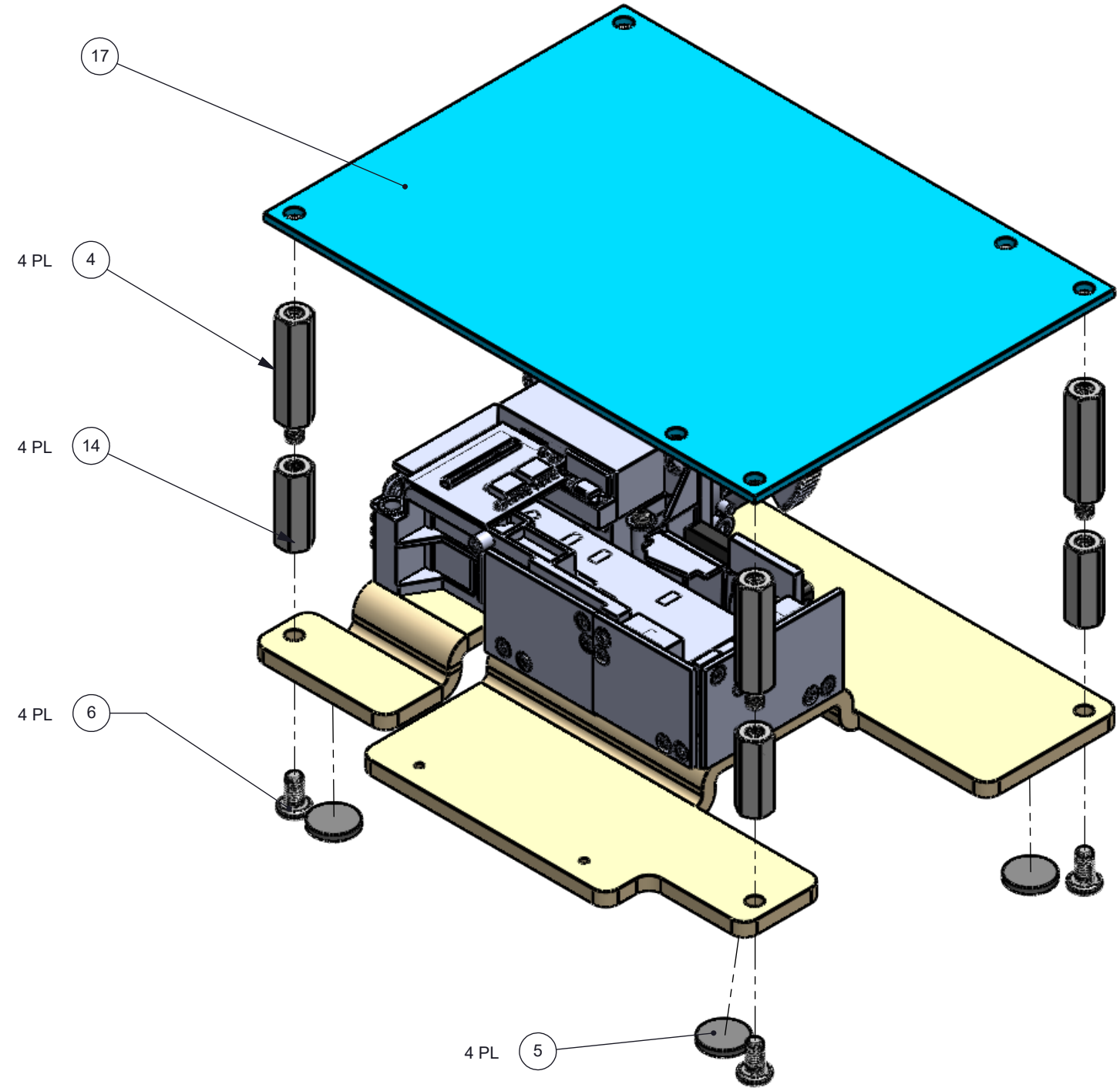
C

B

B

A

A

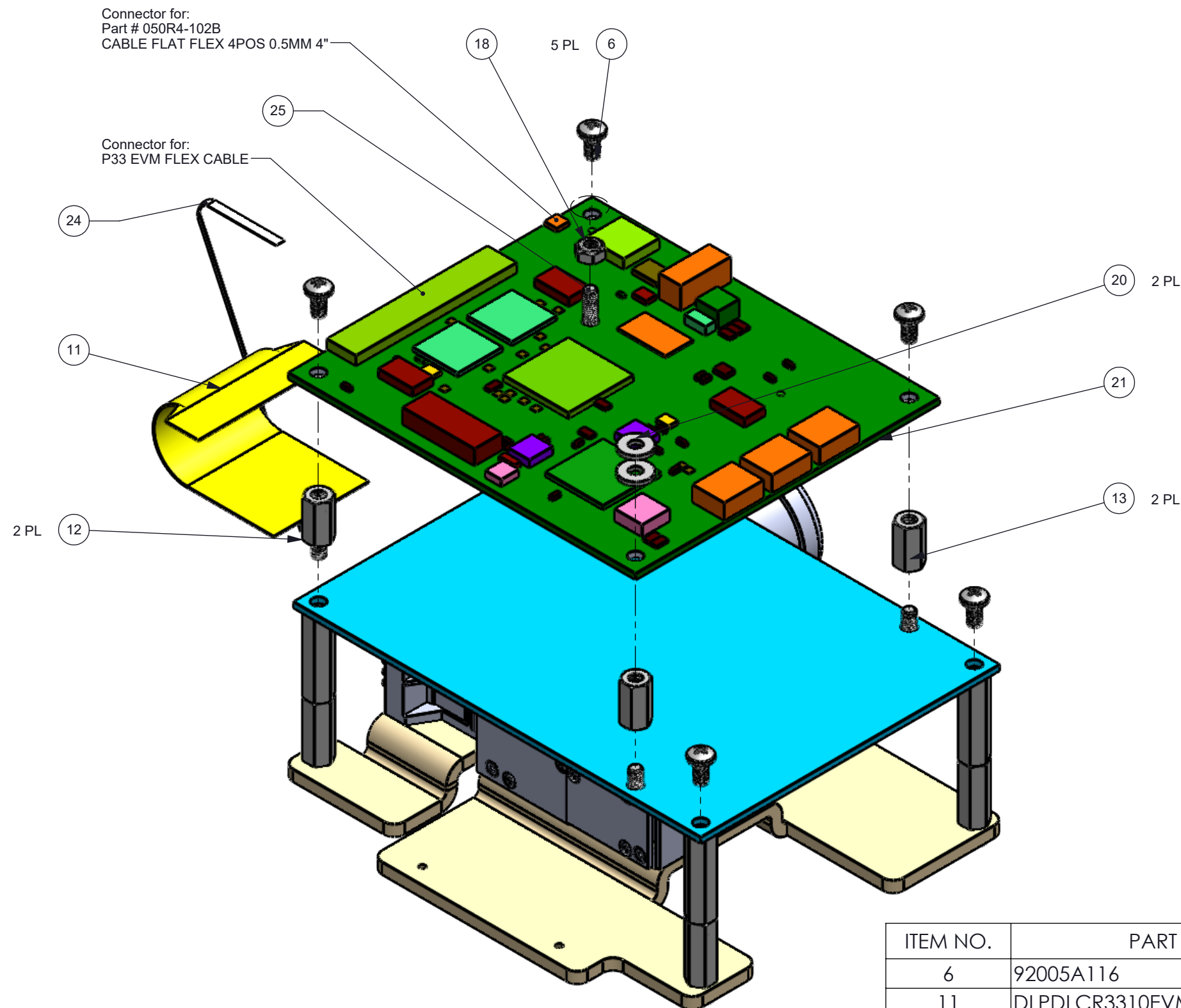


ITEM NO.	PART NUMBER	DESCRIPTION	QTY.
4	98952A061	M3x22mm AL M-F THRDED STDF (McMaster-Carr)	4
5	95495K819	Round Adhesive-Back Bumper(McMaster-Carr)	4
6	92005A116	M3x6mm PHMS (McMaster-Carr)	4
14	94868A010	M3x16mm SS F THRDED STDF (McMaster-Carr)	4
17	DLPDLR3310EVM_SYSTEM_BOARD	P33 EVM SYSTEM BOARD	1



DWN Justin Chambliss
DATE 9/1/2017

SCALE 2:1
SHEET 3 OF 7



ITEM NO.	PART NUMBER	DESCRIPTION	QTY.
6	92005A116	M3x6mm PHMS (McMaster-Carr)	5
11	DLPDLR3310EVM_DMD_FLEX_CABLE	P33 EVM FLEX CABLE	1
12	R30-3001102	M3x11mm BRASS M-F THRDED STDF (Harwin)	2
13	R30-1001102	M3x11mm BRASS F THRDED STDF (Harwin)	2
18	93369A116	M3x0.5 Nylon 6-6 Hex Nut (McMaster-Carr)	1
20	95610A330	M3 Nylon Flat Washer (McMaster-Carr)	2
21	DLPDLR3310EVM_DISPLAY_BOARD	P33 EVM DISPLAY BOARD	1
24	050R4-102B	CABLE FLAT FLEX 4POS 0.5MM 4"	1
25	92005A120	M3x10mm Phillips RHS (McMaster-Carr)	1


 DWN: Justin Chambliss DATE: 9/1/2017 SIZE: B DWG NO: P33-EVM-TOP-ASM REV: G
 SCALE: 2:1 SHEET: 4 OF 7

D

D

C

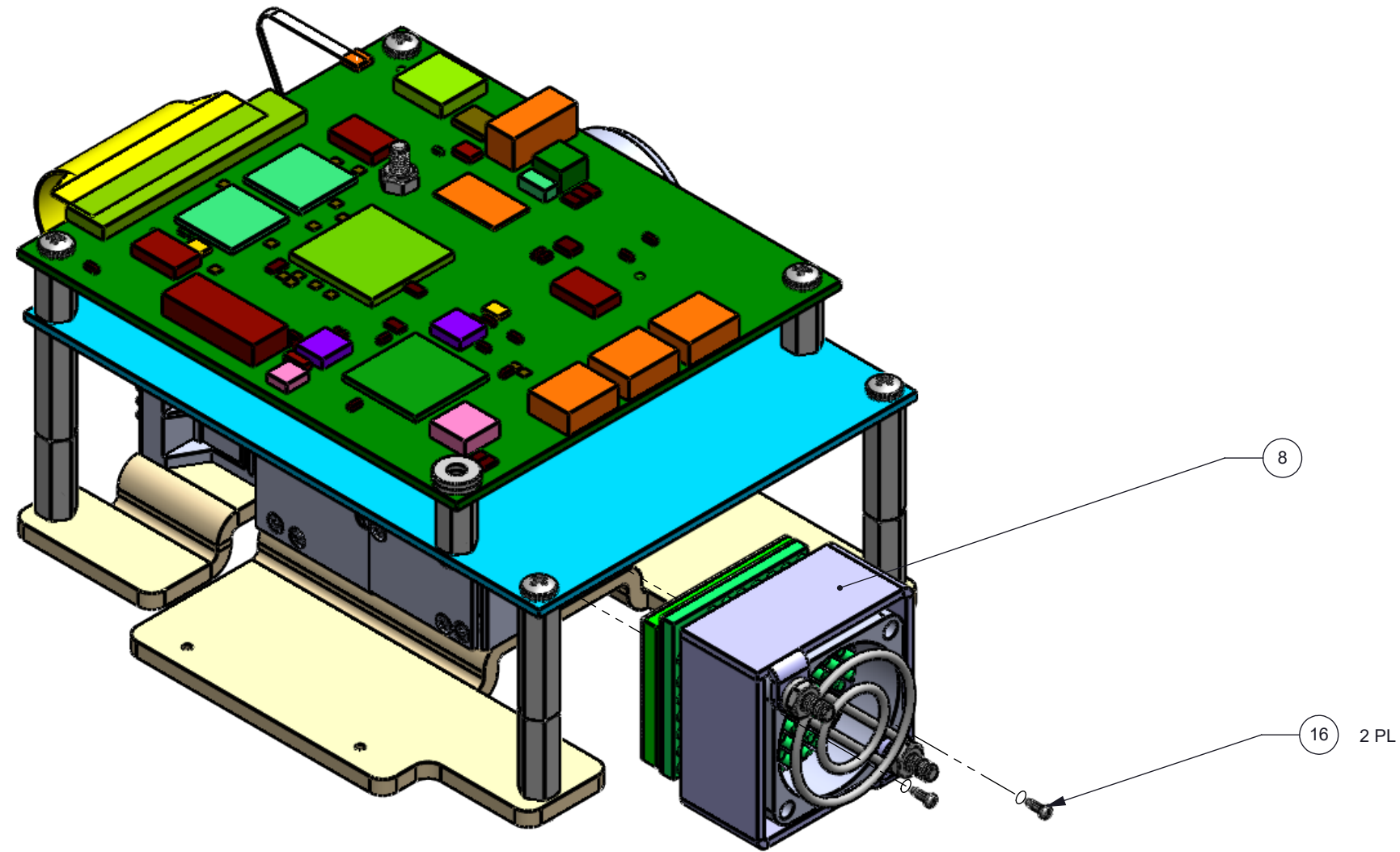
C

B

B

A

A



ITEM NO.	PART NUMBER	DESCRIPTION	QTY.
8	Green LED Heatsink SubAssembly	P33 EVM KIT GREEN LED HEATSINK SUBASSEMBLY	1
16	96817A746	M1.2x4mm Torx PH TRS (McMaster-Carr)	2



DWN Justin Chambliss
DATE 9/1/2017

SCALE 2:1
SHEET 5 OF 7

D

D

C

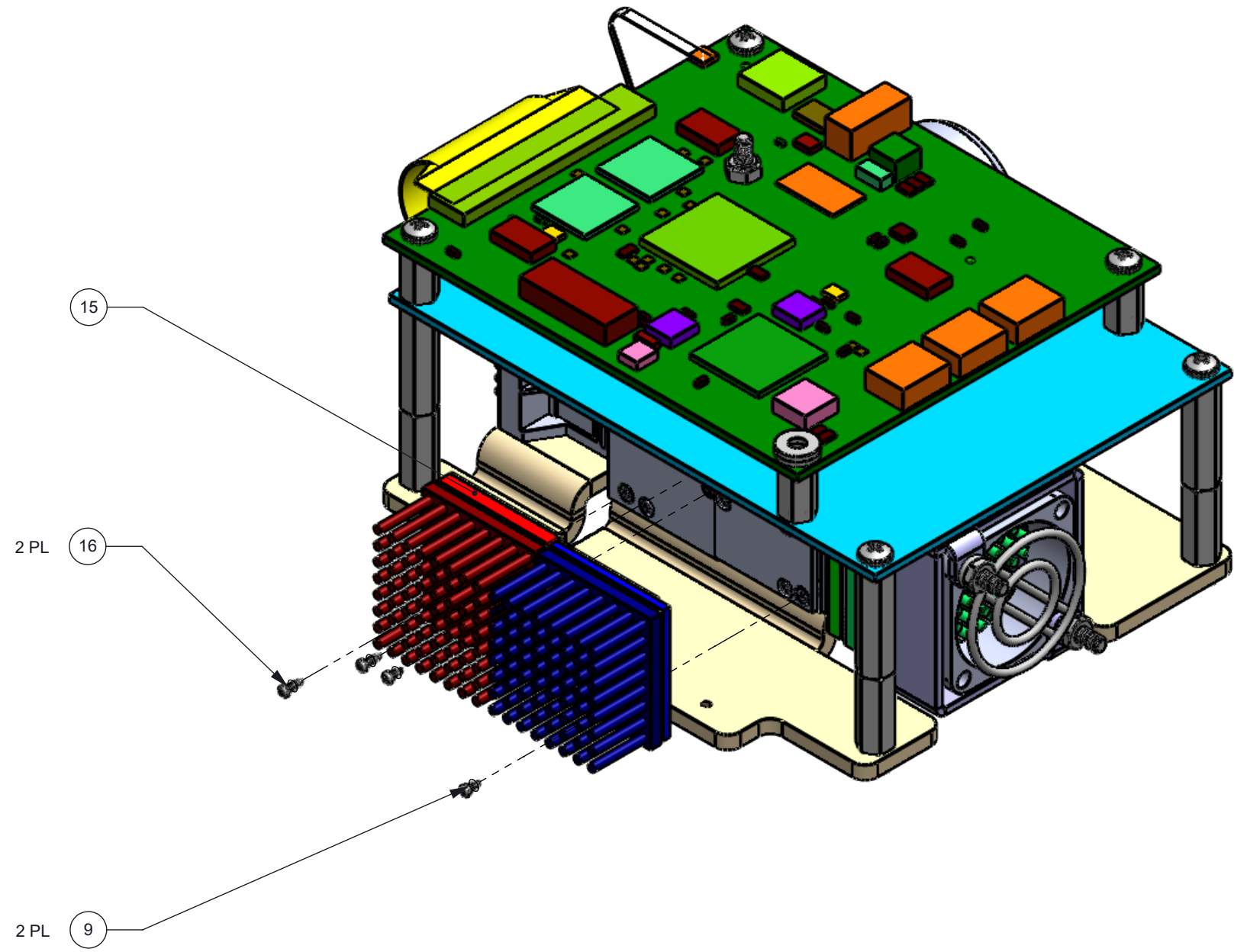
C

B

B

A

A

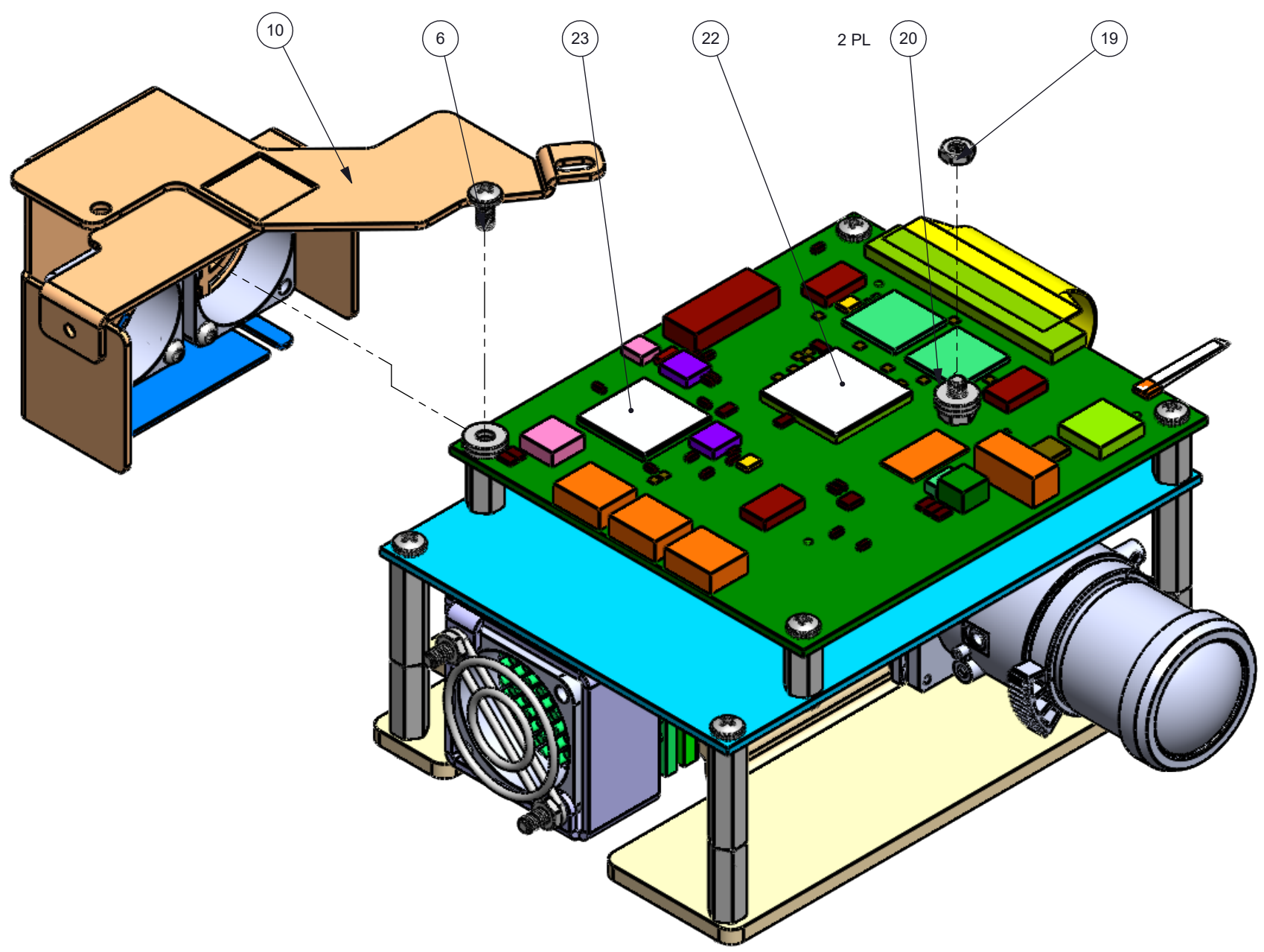


ITEM NO.	PART NUMBER	DESCRIPTION	QTY.
9	96817A744	M1.2x3mm Torx PH TRS (McMaster-Carr)	2
15	Red/Blue LED Heatsink SUBASSEMBLY	P33 EVM KIT Red/Blue LED Heatsink SubAssembly	1
16	96817A746	M1.2x4mm Torx PH TRS (McMaster-Carr)	2



DWN Justin Chambliss
DATE 9/1/2017

SCALE 2:1
SHEET 6 OF 7



ITEM NO.	PART NUMBER	DESCRIPTION	QTY.
6	92005A116	M3x6mm PHMS (McMaster-Carr)	1
10	P33-EVM-CHIP-HEATSINK-ASM	P33 EVM COMPONENT HEATSINK SUB ASSEMBLY	1
19	90710A030	M3x0.5 SS Thin HN (McMaster-Carr)	1
20	95610A330	M3 Nylon Flat Washer (McMaster-Carr)	2
22	120MM-1M-0.5MM-5590H-19.0x19.0x0.5mm	120MM-1M-0.5MM-5590H (3M)	1
23	120MM-1M-0.5MM-5590H-16.75x16.75x0.5mm	120MM-1M-0.5MM-5590H (3M)	1



DWN Justin Chambliss
DATE 9/1/2017

SIZE B
DWG NO P33-EVM-TOP-ASM

REV G

SCALE 2:1

SHEET 7 OF 7

IMPORTANT NOTICE AND DISCLAIMER

TI PROVIDES TECHNICAL AND RELIABILITY DATA (INCLUDING DATASHEETS), DESIGN RESOURCES (INCLUDING REFERENCE DESIGNS), APPLICATION OR OTHER DESIGN ADVICE, WEB TOOLS, SAFETY INFORMATION, AND OTHER RESOURCES "AS IS" AND WITH ALL FAULTS, AND DISCLAIMS ALL WARRANTIES, EXPRESS AND IMPLIED, INCLUDING WITHOUT LIMITATION ANY IMPLIED WARRANTIES OF MERCHANTABILITY, FITNESS FOR A PARTICULAR PURPOSE OR NON-INFRINGEMENT OF THIRD PARTY INTELLECTUAL PROPERTY RIGHTS.

These resources are intended for skilled developers designing with TI products. You are solely responsible for (1) selecting the appropriate TI products for your application, (2) designing, validating and testing your application, and (3) ensuring your application meets applicable standards, and any other safety, security, or other requirements. These resources are subject to change without notice. TI grants you permission to use these resources only for development of an application that uses the TI products described in the resource. Other reproduction and display of these resources is prohibited. No license is granted to any other TI intellectual property right or to any third party intellectual property right. TI disclaims responsibility for, and you will fully indemnify TI and its representatives against, any claims, damages, costs, losses, and liabilities arising out of your use of these resources.

TI's products are provided subject to TI's Terms of Sale (www.ti.com/legal/termsofsale.html) or other applicable terms available either on ti.com or provided in conjunction with such TI products. TI's provision of these resources does not expand or otherwise alter TI's applicable warranties or warranty disclaimers for TI products.

Mailing Address: Texas Instruments, Post Office Box 655303, Dallas, Texas 75265
Copyright © 2018, Texas Instruments Incorporated