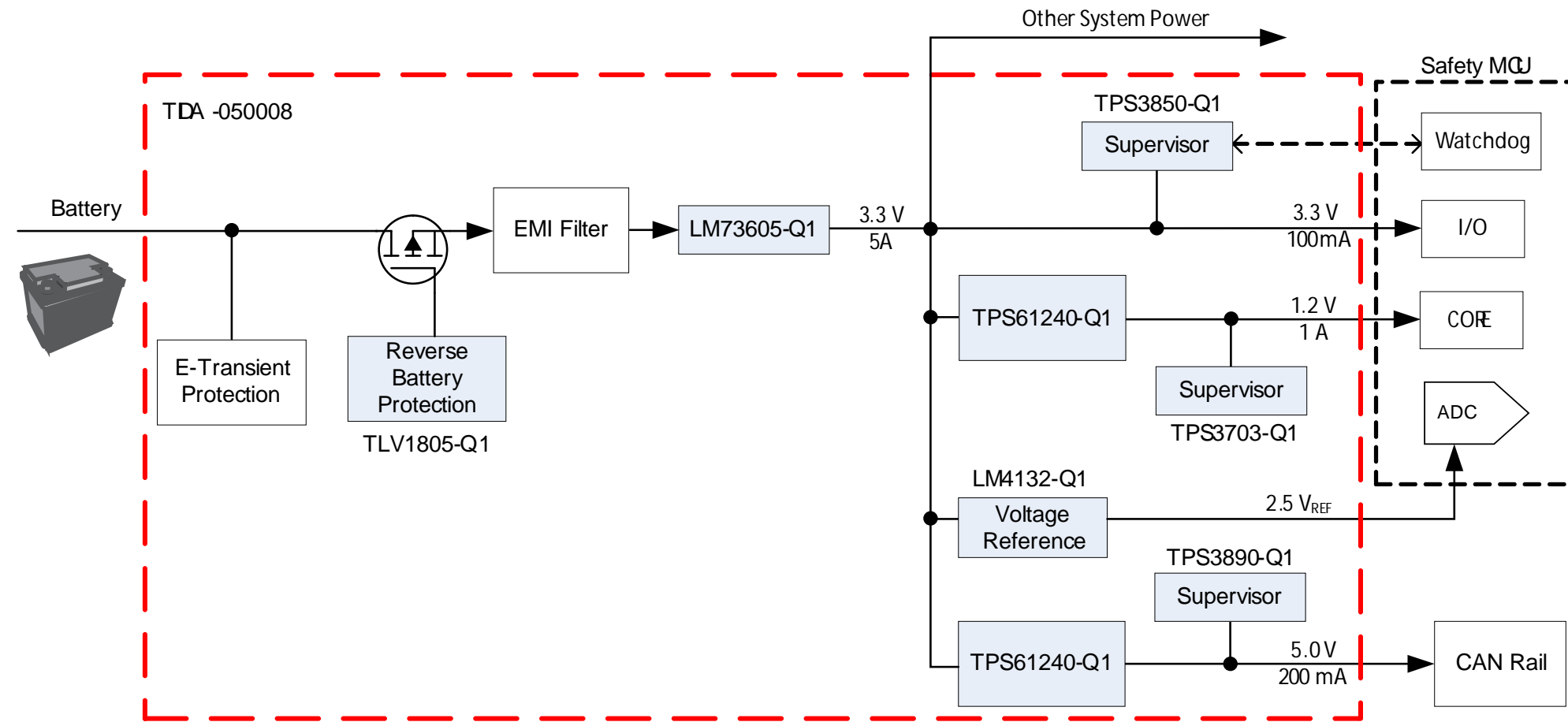


Revision History

Rev	ECN #	Approved Date	Approved by	Notes
N/A	N/A	N/A	N/A	N/A

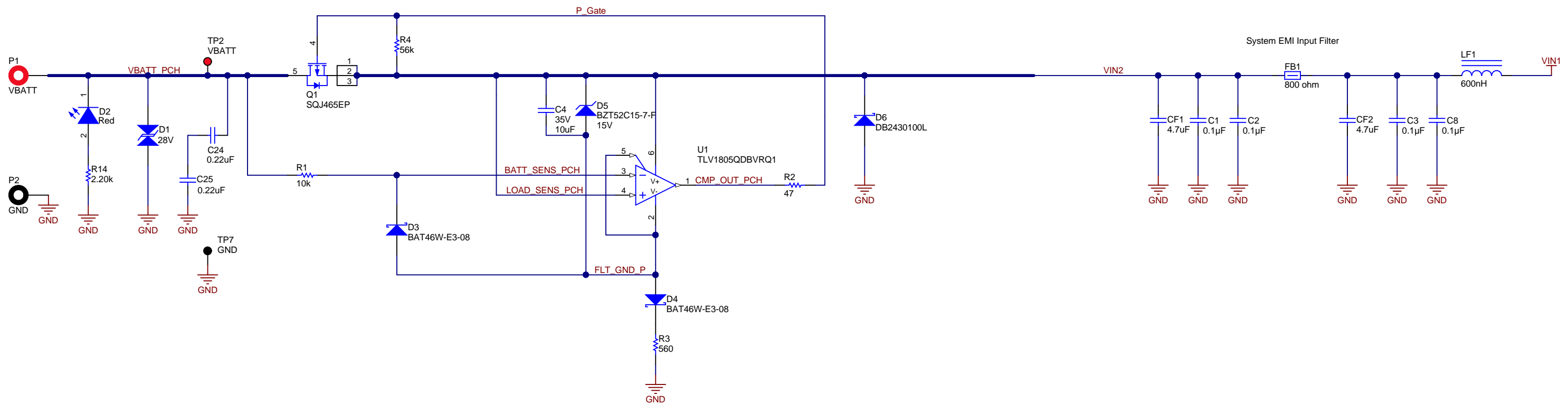


Copyright © 2018 , Texas Instruments Incorporated

Texas Instruments and/or its licensors do not warrant the accuracy or completeness of this specification or any information contained therein. Texas Instruments and/or its licensors do not warrant that this design will meet the specifications, will be suitable for your application or fit for any particular purpose, or will operate in an implementation. Texas Instruments and/or its licensors do not warrant that the design is production worthy. You should completely validate and test your design implementation to confirm the system functionality for your application.

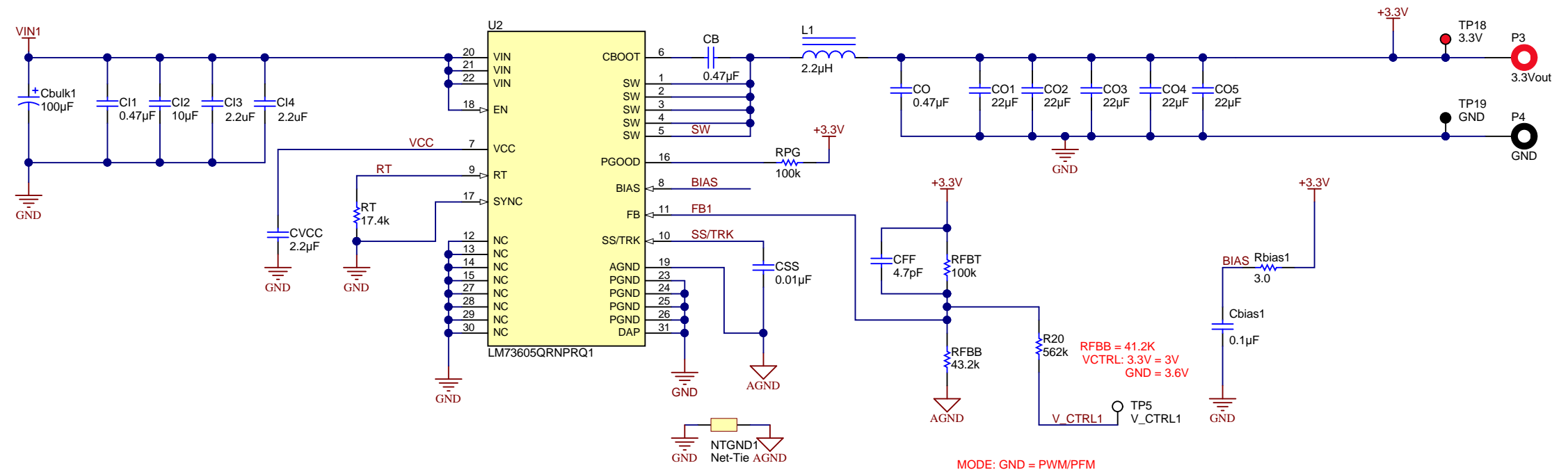
Orderable: N/A	Designed for: Public Release	Mod. Date: 10/24/2018	<p>TEXAS INSTRUMENTS http://www.ti.com © Texas Instruments 2018</p>
TID #: TIDA-050008	Project Title: ADAS Reference Design with Improved Supervision		
Number: TIDA-050008   Rev: E1	Sheet Title:		
SVN Rev: Version control disabled	Assembly Variant: 001	Sheet: 1 of 6	
Drawn By:	File: TIDA-050008_CoverSheet.SchDoc	Size: B	
Engineer: Ethan Than	Contact: http://www.ti.com/support		

## Reverse Battery Protection



## 3.3-V System Supply

3.3V @ 100mA, 5A



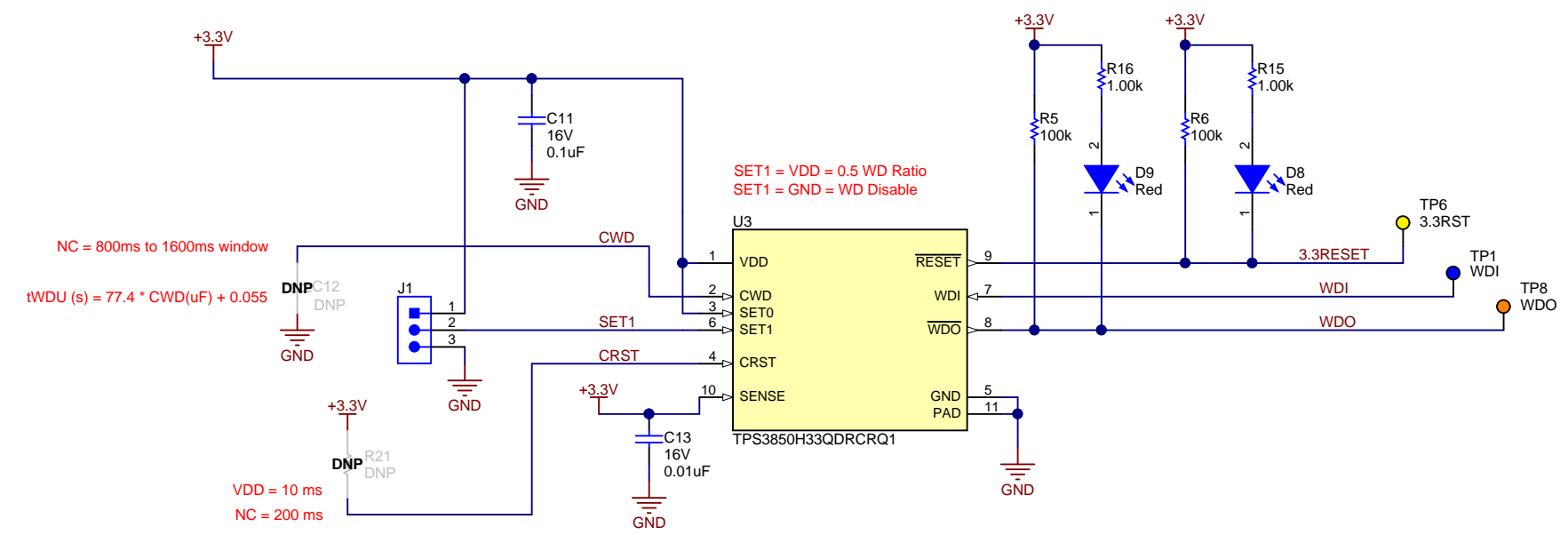
Texas Instruments and/or its licensors do not warrant the accuracy or completeness of this specification or any information contained therein. Texas Instruments and/or its licensors do not warrant that this design will meet the specifications, will be suitable for your application or fit for any particular purpose, or will operate in an implementation. Texas Instruments and/or its licensors do not warrant that the design is production worthy. You should completely validate and test your design implementation to confirm the system functionality for your application.

Orderable: N/A	Designed for: Public Release	Mod. Date: 9/28/2018
TID #: TIDA-050008	Project Title: ADAS Reference Design with Improved Supervision	
Number: TIDA-050008	Rev: E1	Sheet Title:
SVN Rev: Version control disabled	Assembly Variant: 001	Sheet: 2 of 6
Drawn By:	File: TIDA-050008_Main Supply_SchDoc	Size: B
Engineer: Ethan Than	Contact: <a href="http://www.ti.com/support">http://www.ti.com/support</a>	

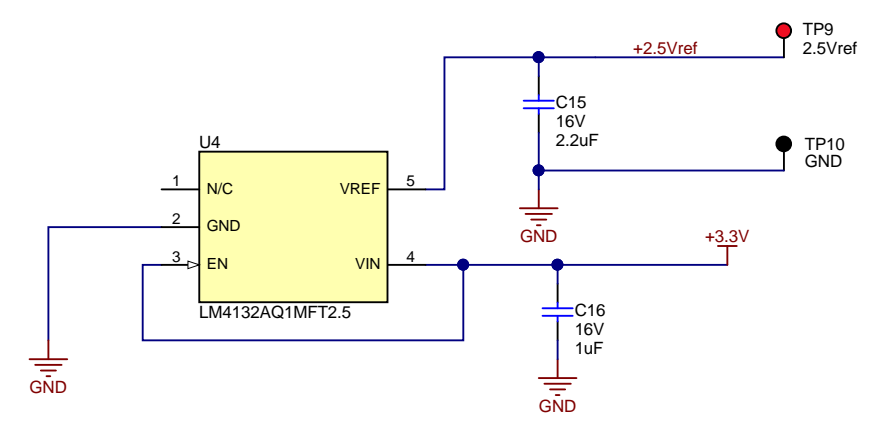


© Texas Instruments 2018

### 3.3-V Voltage Supervision and Watchdog



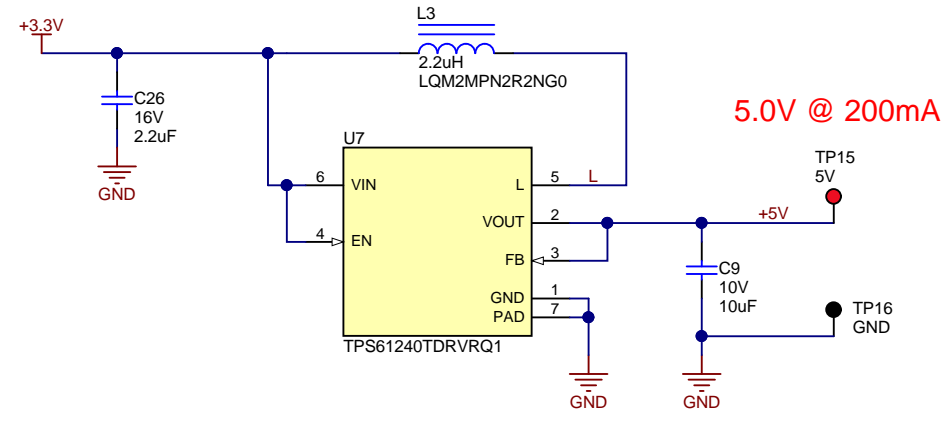
### +2.5V Voltage Reference



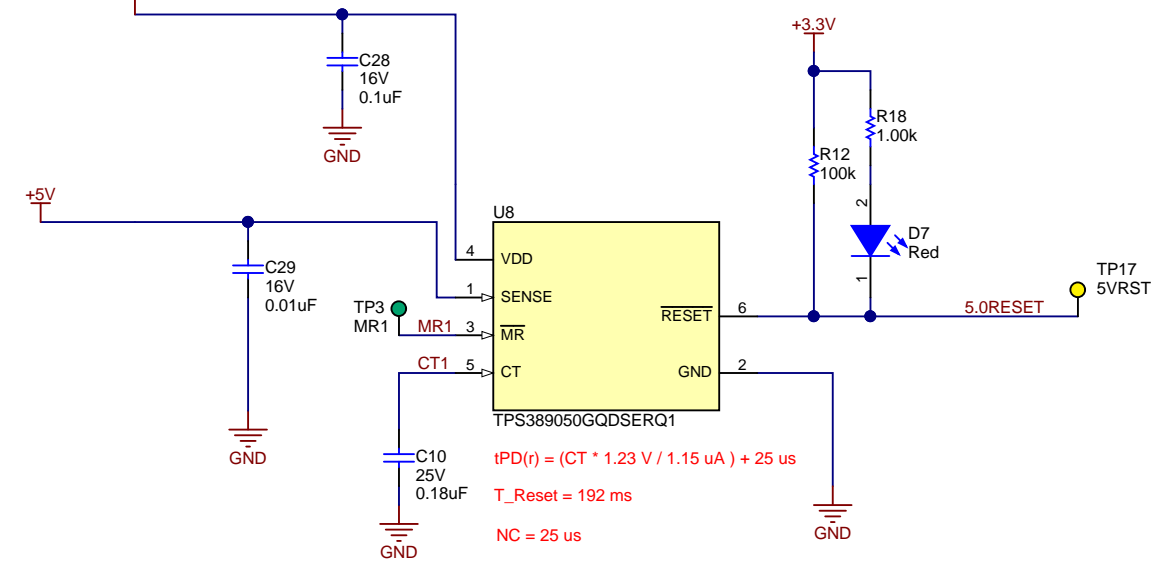
Texas Instruments and/or its licensors do not warrant the accuracy or completeness of this specification or any information contained therein. Texas Instruments and/or its licensors do not warrant that this design will meet the specifications, will be suitable for your application or fit for any particular purpose, or will operate in an implementation. Texas Instruments and/or its licensors do not warrant that the design is production worthy. You should completely validate and test your design implementation to confirm the system functionality for your application.

Orderable: N/A	Designed for: Public Release	Mod. Date: 10/24/2018	 http://www.ti.com
TID #: TIDA-050008	Project Title: ADAS Reference Design with Improved Supervision		
Number: TIDA-050008	Rev: E1	Sheet Title:	
SVN Rev: Version control disabled	Assembly Variant: 001	Sheet: 3 of 6	
Drawn By:	File: TIDA-050008_Watchdog and Vref.SchDoc	Size: B	
Engineer: Ethan Than	Contact: http://www.ti.com/support		

### +5V CAN Supply



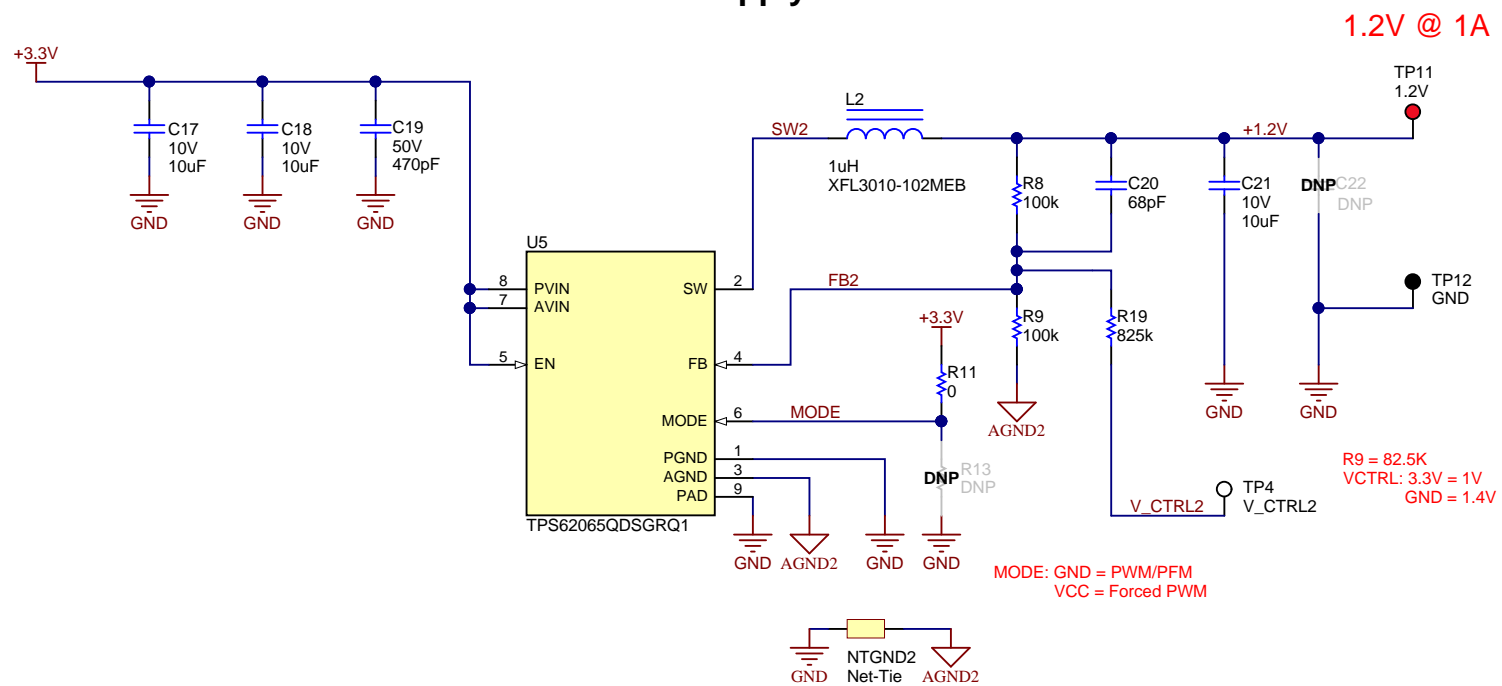
### +5V Voltage Supervision



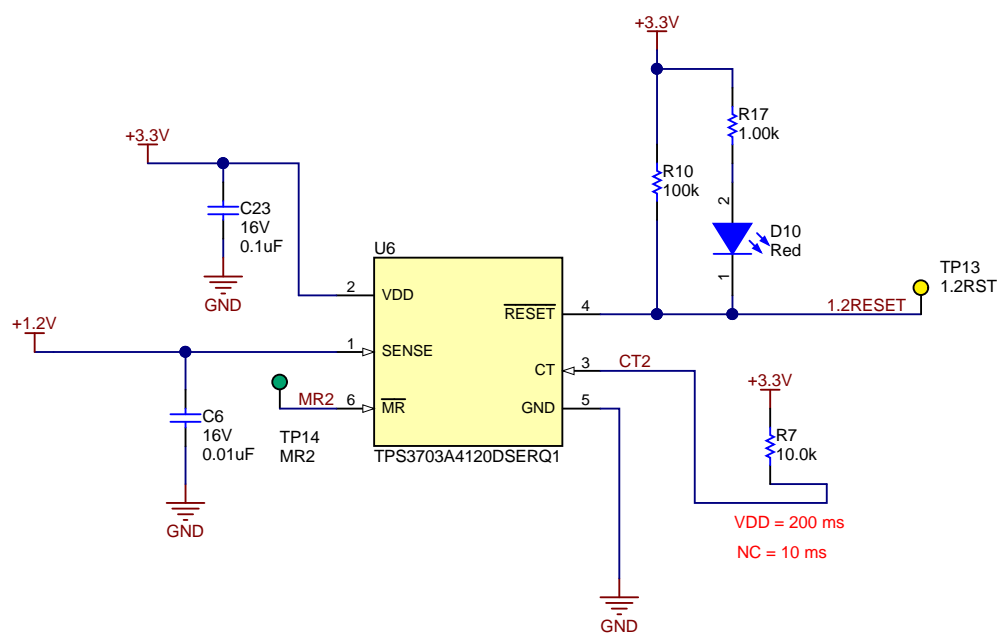
Texas Instruments and/or its licensors do not warrant the accuracy or completeness of this specification or any information contained therein. Texas Instruments and/or its licensors do not warrant that this design will meet the specifications, will be suitable for your application or fit for any particular purpose, or will operate in an implementation. Texas Instruments and/or its licensors do not warrant that the design is production worthy. You should completely validate and test your design implementation to confirm the system functionality for your application.

Orderable: N/A	Designed for: Public Release	Mod. Date: 6/5/2018	
TID #: TIDA-050008	Project Title: ADAS Reference Design with Improved Supervision	Number: TIDA-050008   Rev: E1	
SVN Rev: Version control disabled	Assembly Variant: 001	Sheet: 4 of 6	<a href="http://www.ti.com">http://www.ti.com</a> © Texas Instruments 2018
Drawn By: Ethan Than	File: TIDA-050008_CAN Supply and Supervisor.Sch	Contact: <a href="http://www.ti.com/support">http://www.ti.com/support</a>	

## +1.2V Core Supply



## +1.2V Voltage Supervision



Texas Instruments and/or its licensors do not warrant the accuracy or completeness of this specification or any information contained therein. Texas Instruments and/or its licensors do not warrant that this design will meet the specifications, will be suitable for your application or fit for any particular purpose, or will operate in an implementation. Texas Instruments and/or its licensors do not warrant that the design is production worthy. You should completely validate and test your design implementation to confirm the system functionality for your application.

Orderable: N/A	Designed for: Public Release	Mod. Date: 8/13/2018
TID #: TIDA-050008	Project Title: ADAS Reference Design with Improved Supervision	
Number: TIDA-050008	Rev: E1	Sheet: 5 of 6
SVN Rev: Version control disabled	File: TIDA-050008 Core Supply and Supervisor.SchDoc	
Drawn By: Ethan Than	Contact: <a href="http://www.ti.com/support">http://www.ti.com/support</a>	



H1 NY PMS 440 0025 PH  
 H2 NY PMS 440 0025 PH  
 H3 NY PMS 440 0025 PH  
 H4 NY PMS 440 0025 PH

H5 1902C  
 H6 1902C  
 H7 1902C  
 H8 1902C

DNP FID1  
 DNP FID2  
 DNP FID3

PCB Number: TIDA-050008  
 PCB Rev: E1

PCB LOGO PCB LOGO

Variant/Label Table	
Variant	Label Text
001	ChangeMe!
002	ChangeMe!


ZZ1  
 Label Assembly Note  
 This Assembly Note is for PCB labels only

ZZ2  
 Assembly Note  
 This Assembly Note will show in the PcbDoc and associated outputs

ZZ3  
 Assembly Note  
 This Assembly Note will show in the PcbDoc and associated outputs

ZZ4  
 Assembly Note  
 This Assembly Note will show in the PcbDoc and associated outputs

Texas Instruments and/or its licensors do not warrant the accuracy or completeness of this specification or any information contained therein. Texas Instruments and/or its licensors do not warrant that this design will meet the specifications, will be suitable for your application or fit for any particular purpose, or will operate in an implementation. Texas Instruments and/or its licensors do not warrant that the design is production worthy. You should completely validate and test your design implementation to confirm the system functionality for your application.

Orderable: N/A	Designed for: Public Release	Mod. Date: 11/1/2018	 TEXAS INSTRUMENTS <a href="http://www.ti.com">http://www.ti.com</a> © Texas Instruments 2018
TID #: TIDA-050008	Project Title: ADAS Reference Design with Improved Supervision		
Number: TIDA-050008	Rev: E1	Sheet: 6 of 6	
SVN Rev: Version control disabled	Assembly Variant: 001	Size: B	
Drawn By: Ethan Than	File: TIDA-050008_EVM_Hardware.SchDoc	Contact: <a href="http://www.ti.com/support">http://www.ti.com/support</a>	

## IMPORTANT NOTICE AND DISCLAIMER

TI PROVIDES TECHNICAL AND RELIABILITY DATA (INCLUDING DATASHEETS), DESIGN RESOURCES (INCLUDING REFERENCE DESIGNS), APPLICATION OR OTHER DESIGN ADVICE, WEB TOOLS, SAFETY INFORMATION, AND OTHER RESOURCES "AS IS" AND WITH ALL FAULTS, AND DISCLAIMS ALL WARRANTIES, EXPRESS AND IMPLIED, INCLUDING WITHOUT LIMITATION ANY IMPLIED WARRANTIES OF MERCHANTABILITY, FITNESS FOR A PARTICULAR PURPOSE OR NON-INFRINGEMENT OF THIRD PARTY INTELLECTUAL PROPERTY RIGHTS.

These resources are intended for skilled developers designing with TI products. You are solely responsible for (1) selecting the appropriate TI products for your application, (2) designing, validating and testing your application, and (3) ensuring your application meets applicable standards, and any other safety, security, or other requirements. These resources are subject to change without notice. TI grants you permission to use these resources only for development of an application that uses the TI products described in the resource. Other reproduction and display of these resources is prohibited. No license is granted to any other TI intellectual property right or to any third party intellectual property right. TI disclaims responsibility for, and you will fully indemnify TI and its representatives against, any claims, damages, costs, losses, and liabilities arising out of your use of these resources.

TI's products are provided subject to TI's Terms of Sale ([www.ti.com/legal/termsofsale.html](http://www.ti.com/legal/termsofsale.html)) or other applicable terms available either on [ti.com](http://ti.com) or provided in conjunction with such TI products. TI's provision of these resources does not expand or otherwise alter TI's applicable warranties or warranty disclaimers for TI products.

Mailing Address: Texas Instruments, Post Office Box 655303, Dallas, Texas 75265  
Copyright © 2018, Texas Instruments Incorporated