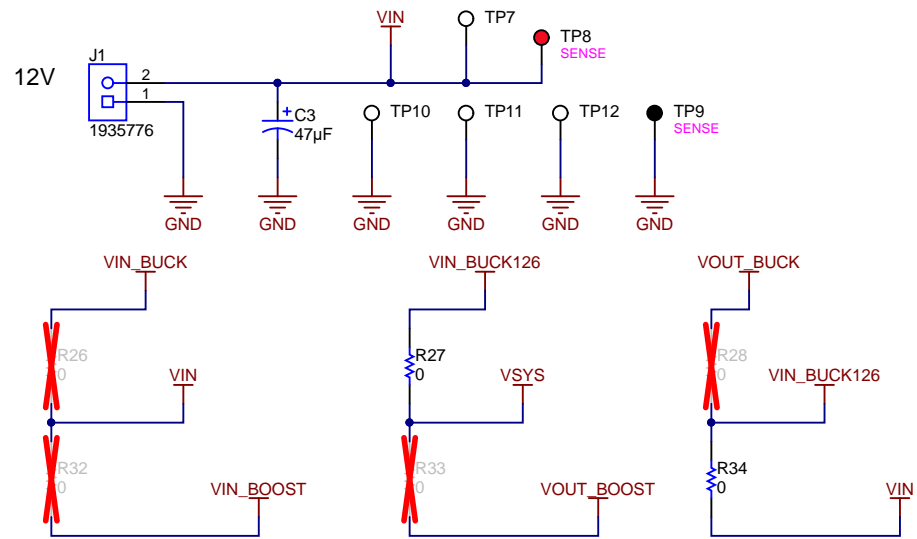
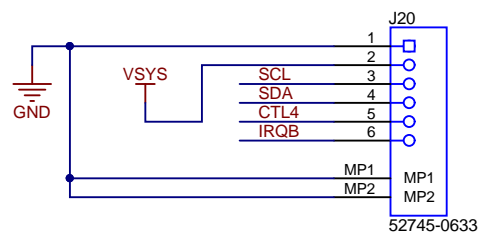


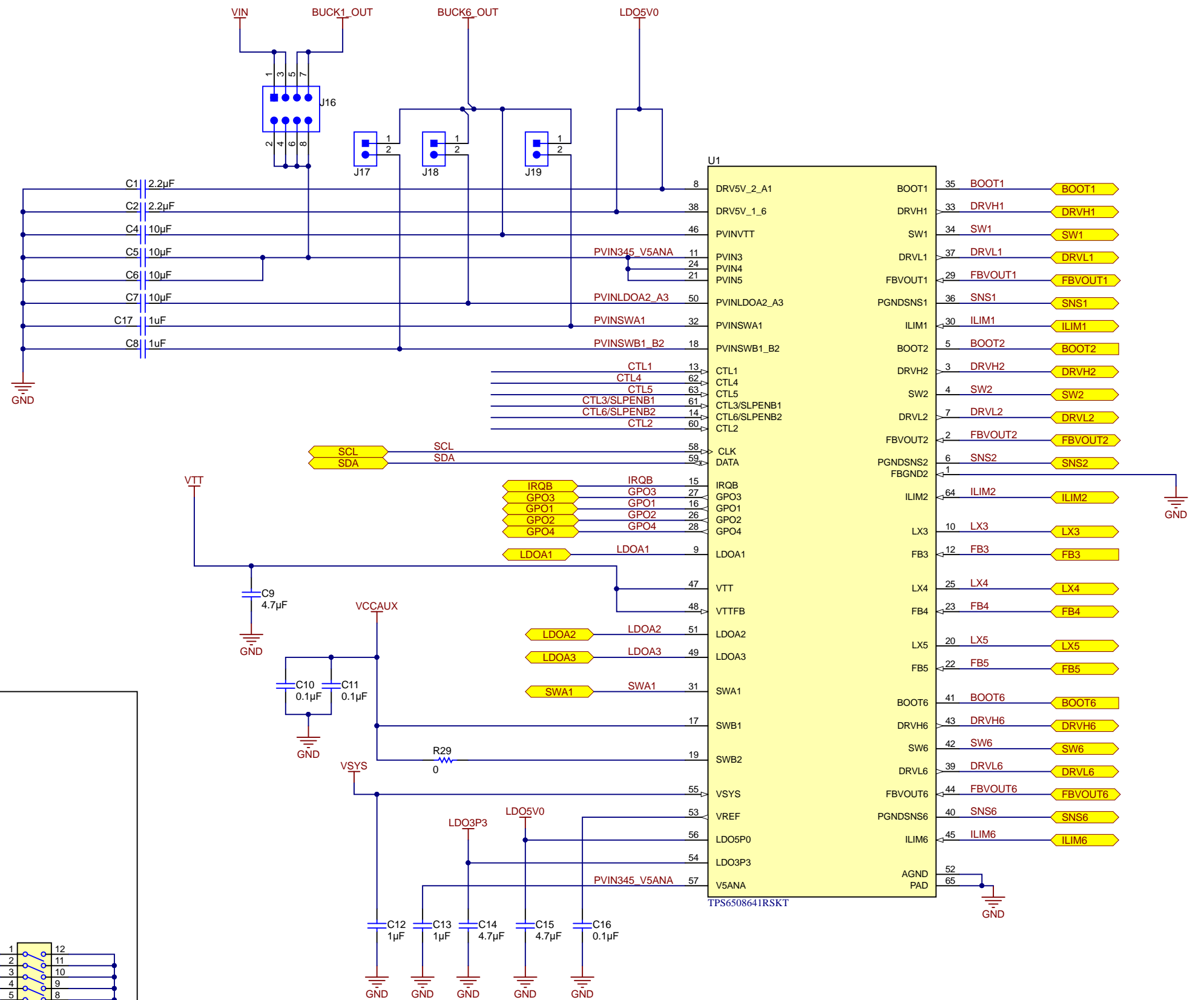
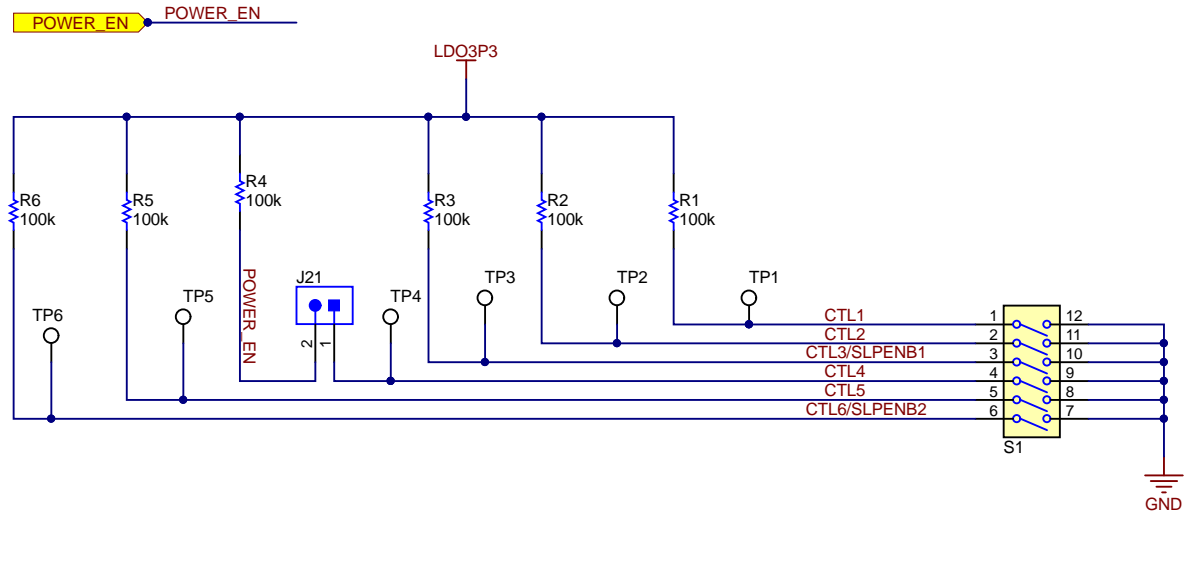
System Input



Programming Ribbon Connector



CTL Inputs



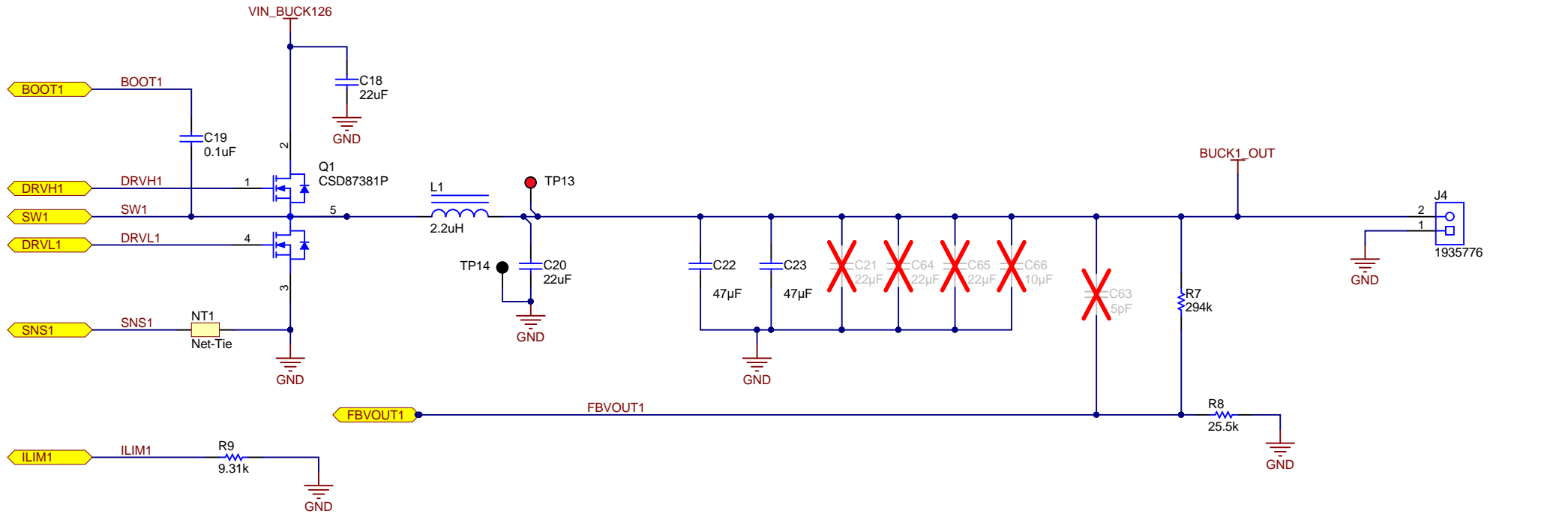
Texas Instruments and/or its licensors do not warrant the accuracy or completeness of this specification or any information contained therein. Texas Instruments and/or its licensors do not warrant that this design will meet the specifications, will be suitable for your application or fit for any particular purpose, or will operate in an implementation. Texas Instruments and/or its licensors do not warrant that the design is production worthy. You should completely validate and test your design implementation to confirm the system functionality for your application.

Orderable: ChangeMe!	Designed for: Public Release	Mod. Date: 6/16/2019
TID #: N/A	Project Title: PMIC for Xilinx ZYNQ Ultrascale+ FPGAs	
Number: TIDA-01393	Rev: Rev: 1.0	Sheet Title: Sheet 1 of 7
SVN Rev: Not in version control	Assembly Variant: 001	File: TPS6508641_Project_TPS65086.SchDoc
Drawn By: Wenchau Albert Lo	Size: B	Contact: http://www.ti.com/support

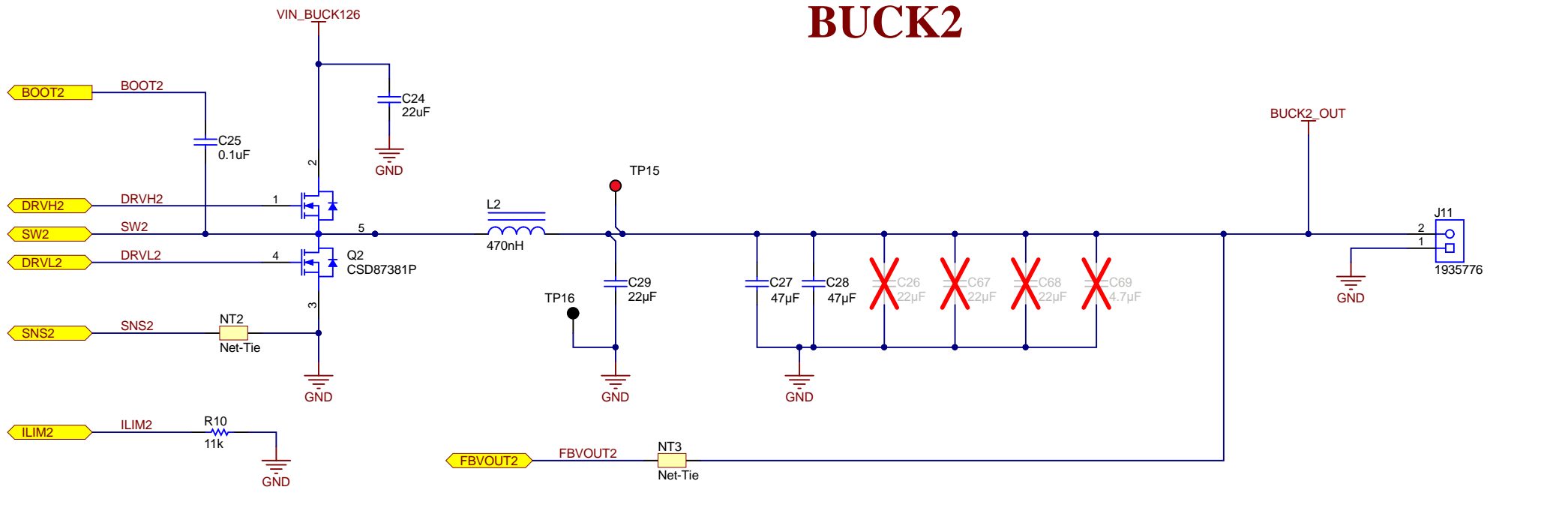


© Texas Instruments 2016

BUCK1



BUCK2

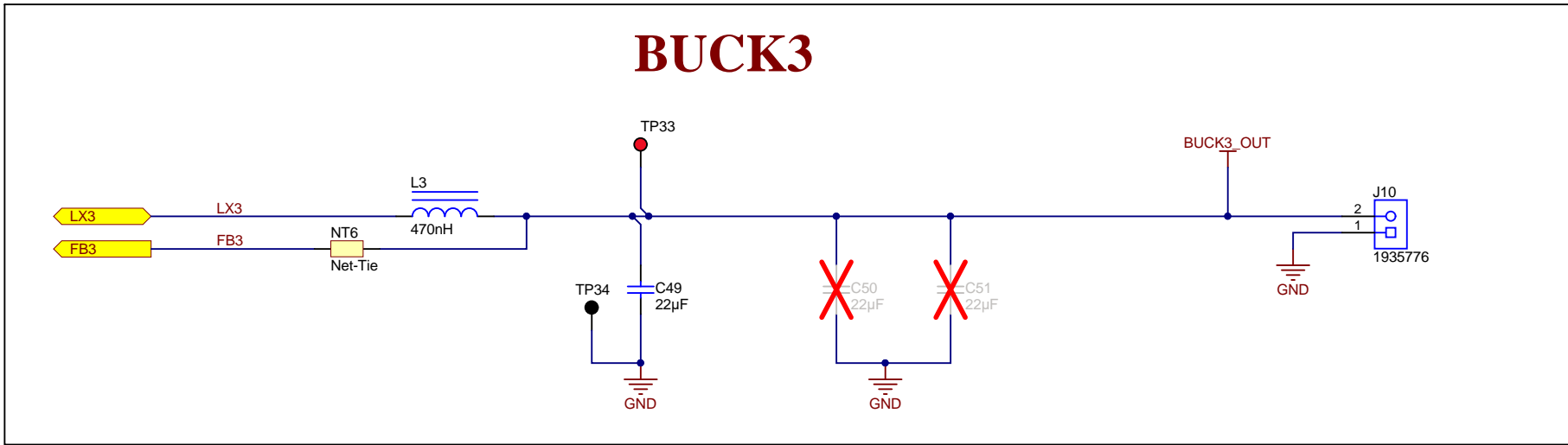


Texas Instruments and/or its licensors do not warrant the accuracy or completeness of this specification or any information contained therein. Texas Instruments and/or its licensors do not warrant that this design will meet the specifications, will be suitable for your application or fit for any particular purpose, or will operate in an implementation. Texas Instruments and/or its licensors do not warrant that the design is production worthy. You should completely validate and test your design implementation to confirm the system functionality for your application.

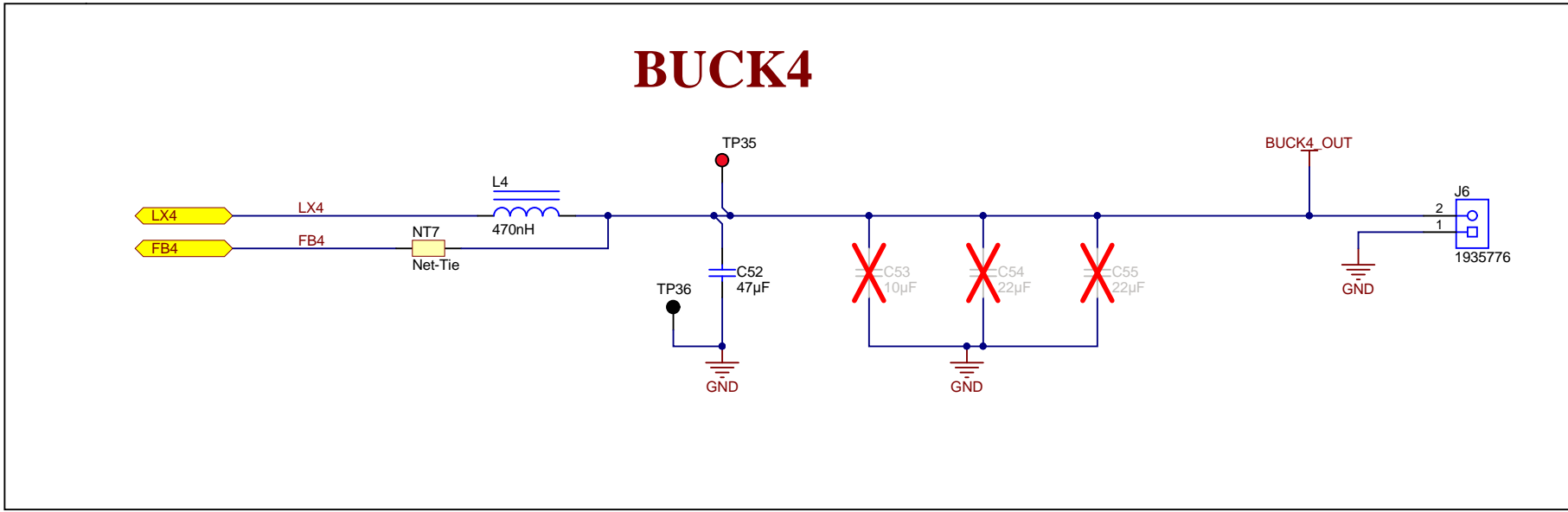
Orderable: ChangeMe!	Designed for: Public Release	Mod. Date: 5/21/2019
TID #: N/A	Project Title: PMIC for Xilinx ZYNQ Ultrascale+ FPGAs	
Number: TIDA-01393	Rev: Not in version control	Sheet: 2 of 7
Drawn By: Wenchau Albert Lo	File: TPS6508641_Project_Buck12.SchDoc	Size: B
Engineer: Wenchau Albert Lo	Contact: http://www.ti.com/support	

http://www.ti.com
 © Texas Instruments 2016

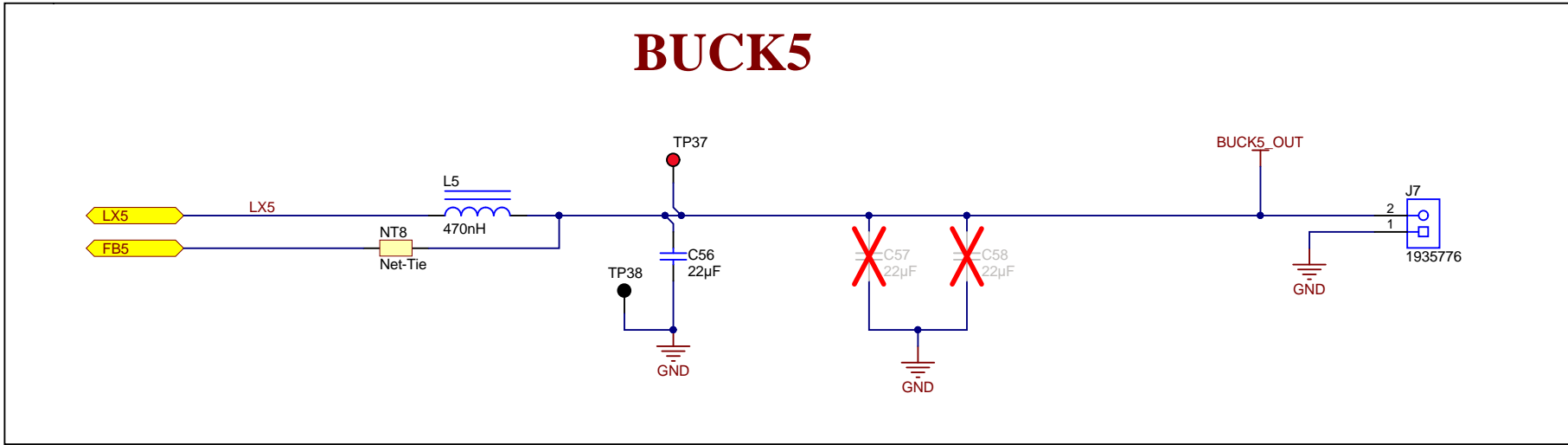
A



B




C

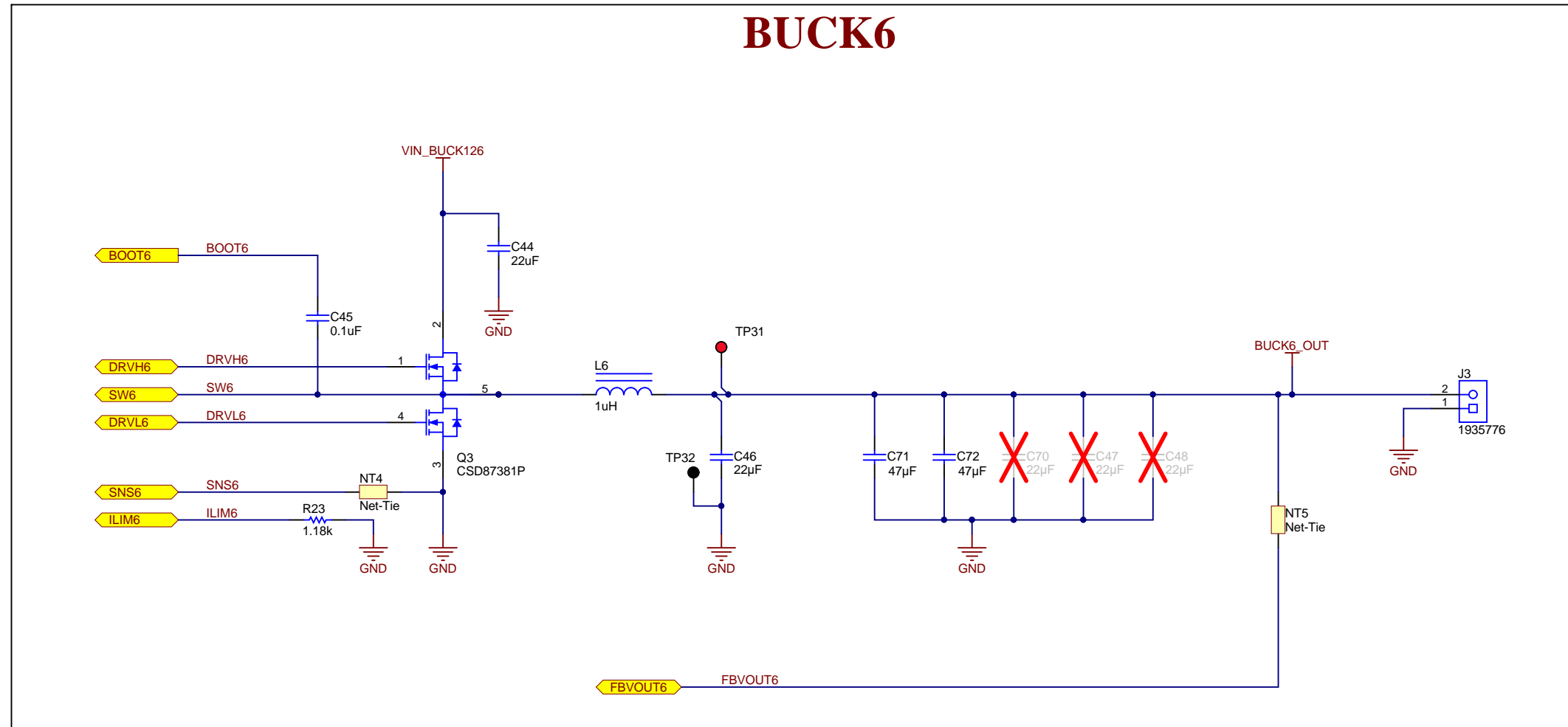


D

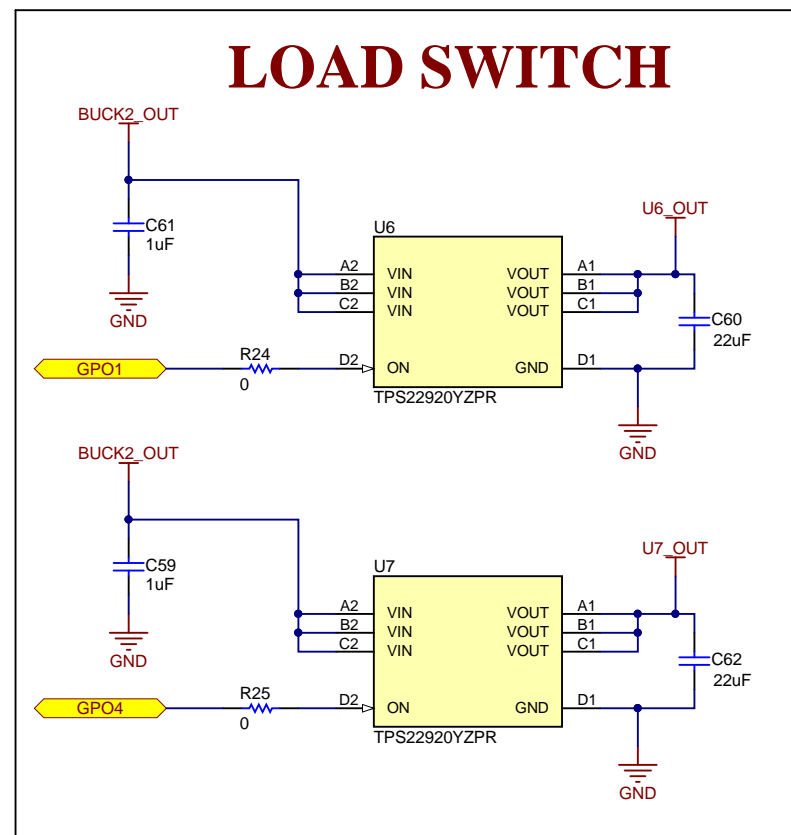
Texas Instruments and/or its licensors do not warrant the accuracy or completeness of this specification or any information contained therein. Texas Instruments and/or its licensors do not warrant that this design will meet the specifications, will be suitable for your application or fit for any particular purpose, or will operate in an implementation. Texas Instruments and/or its licensors do not warrant that the design is production worthy. You should completely validate and test your design implementation to confirm the system functionality for your application.

Orderable: ChangeMe!	Designed for: Public Release	Mod. Date: 3/11/2019	 TEXAS INSTRUMENTS http://www.ti.com <small>© Texas Instruments 2016</small>
TID #: N/A	Project Title: PMIC for Xilinx ZYNQ Ultrascale+ FPGAs		
Number: TIDA-01393	Rev:	Sheet Title:	
SVN Rev: Not in version control	Assembly Variant: 001	Sheet: 3 of 7	
Drawn By:	File: TPS6508641_Project_Buck345.SchDoc	Size: B	
Engineer: Wenchau Albert Lo	Contact: http://www.ti.com/support		

BUCK6

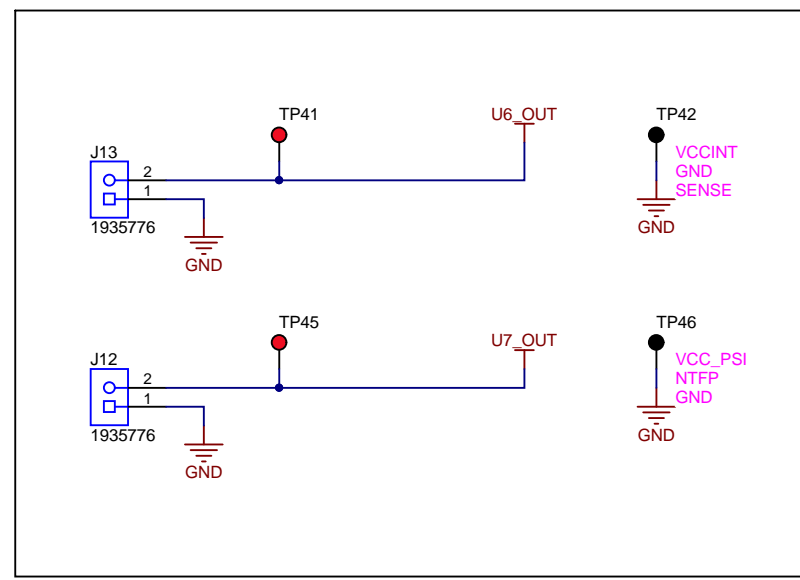
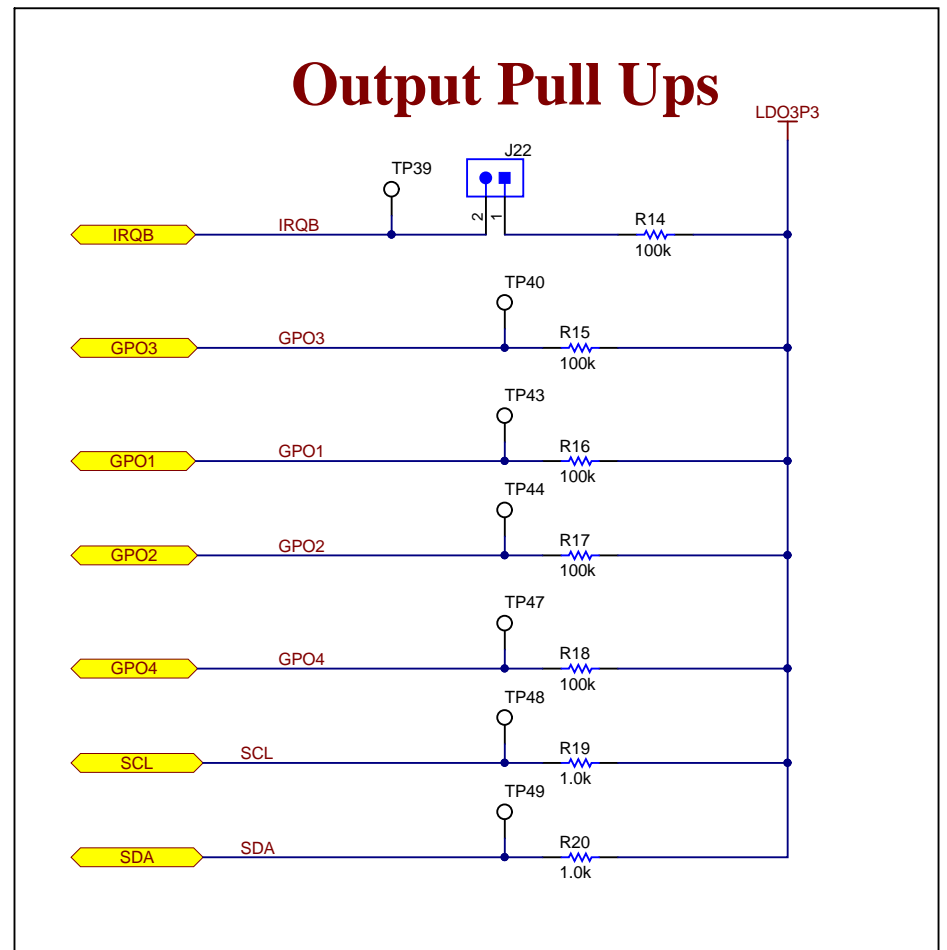
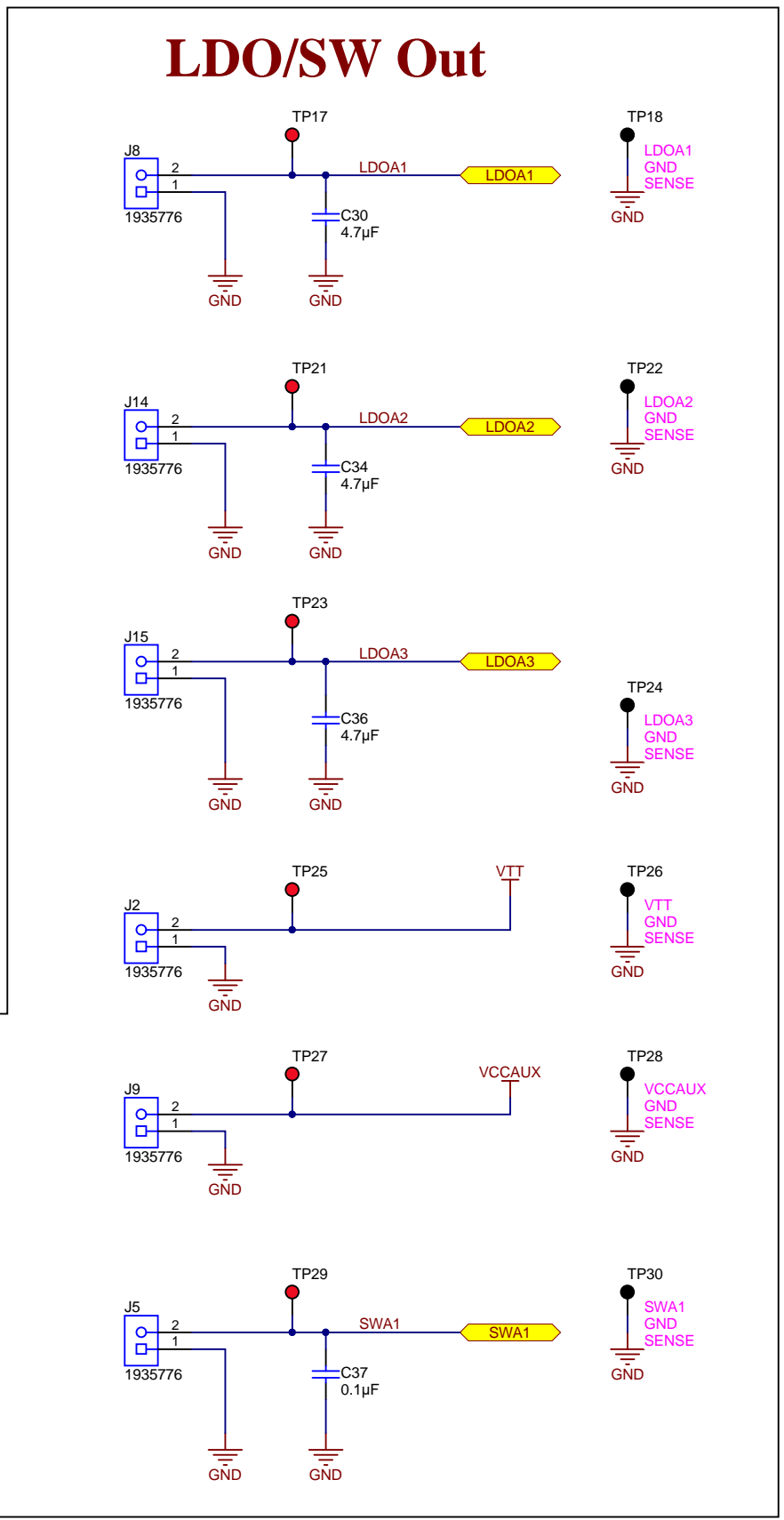
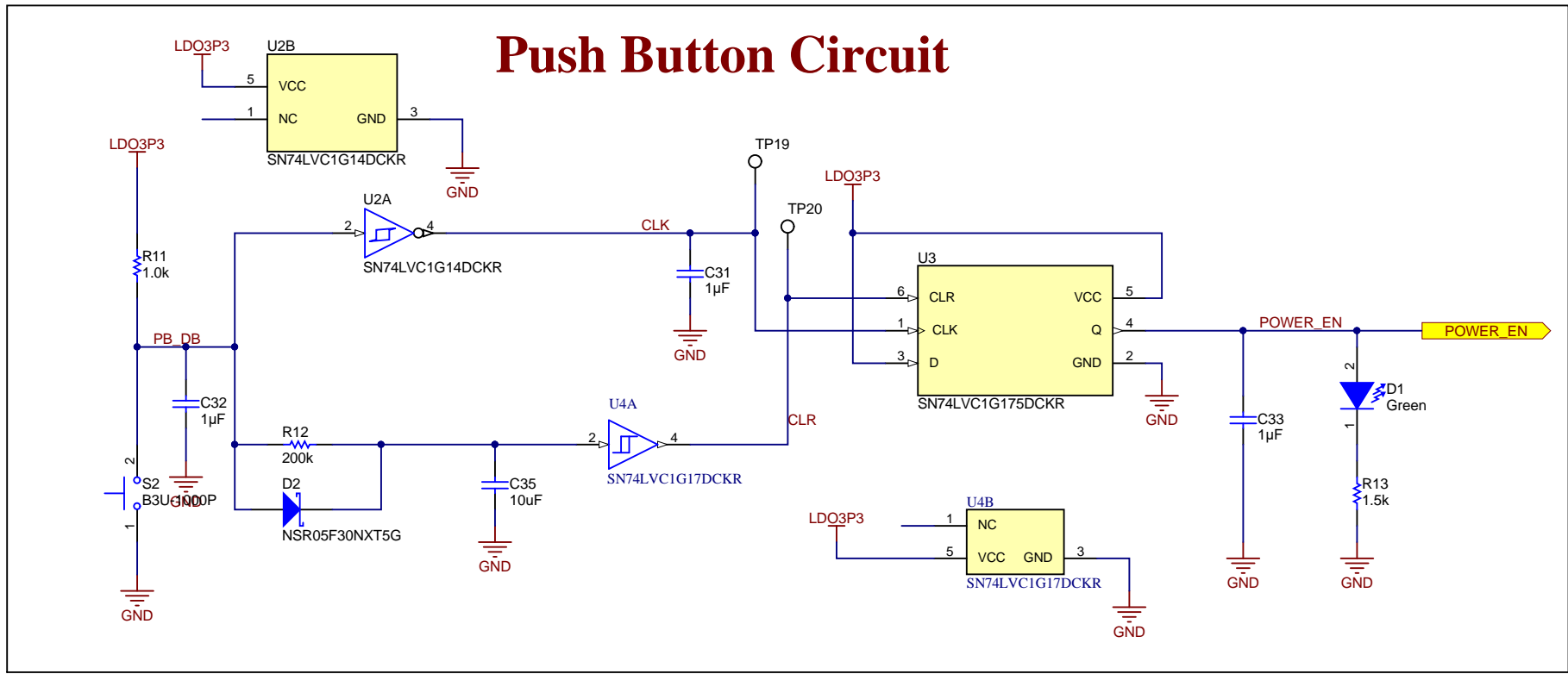


LOAD SWITCH



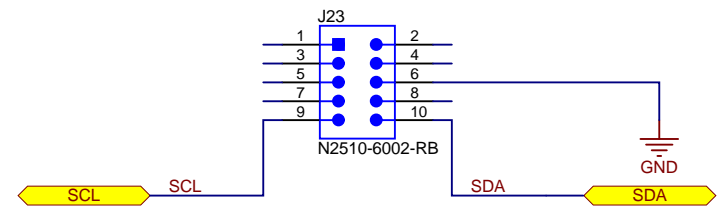
Texas Instruments and/or its licensors do not warrant the accuracy or completeness of this specification or any information contained therein. Texas Instruments and/or its licensors do not warrant that this design will meet the specifications, will be suitable for your application or fit for any particular purpose, or will operate in an implementation. Texas Instruments and/or its licensors do not warrant that the design is production worthy. You should completely validate and test your design implementation to confirm the system functionality for your application.

Orderable: ChangeMe!	Designed for: Public Release	Mod. Date: 5/21/2019
TID #: N/A	Project Title: PMIC for Xilinx ZYNQ Ultrascale+ FPGAs	
Number: TIDA-01393	Rev:	Sheet Title:
SVN Rev: Not in version control	Assembly Variant: 001	Sheet: 4 of 7
Drawn By:	File: TPS6508641_Project_Buck6.SchDoc	Size: B
Engineer: Wenchau Albert Lo	Contact: http://www.ti.com/support	

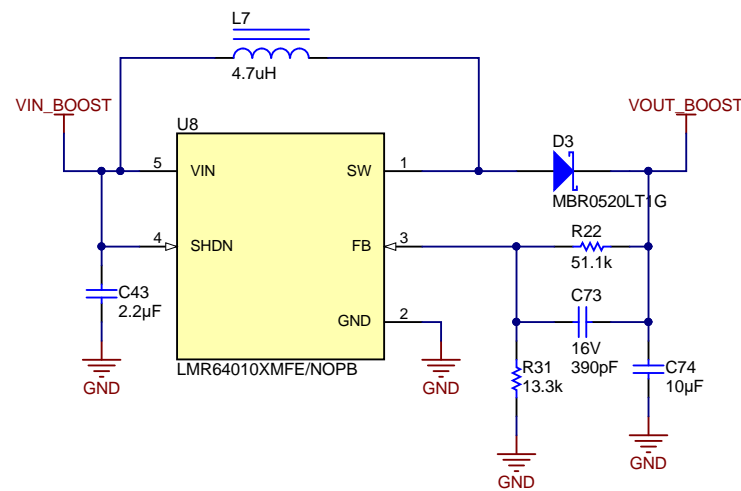


Texas Instruments and/or its licensors do not warrant the accuracy or completeness of this specification or any information contained therein. Texas Instruments and/or its licensors do not warrant that this design will meet the specifications, will be suitable for your application or fit for any particular purpose, or will operate in an implementation. Texas Instruments and/or its licensors do not warrant that the design is production worthy. You should completely validate and test your design implementation to confirm the system functionality for your application.

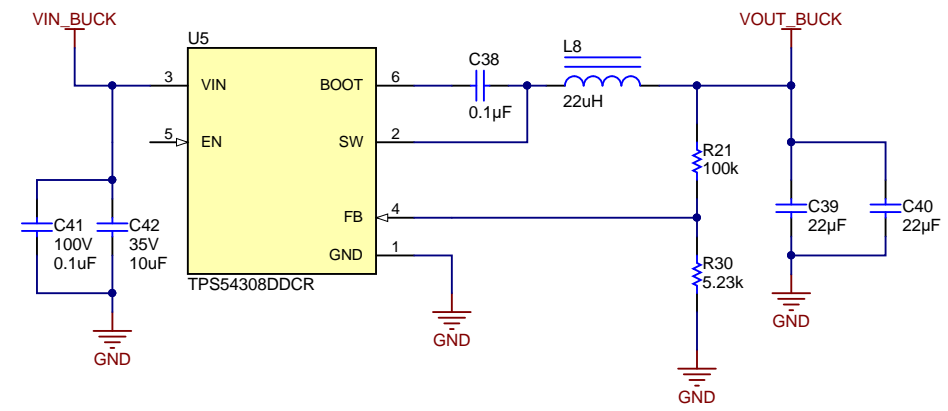
USB2ANY



6V BOOST



12V BUCK



Texas Instruments and/or its licensors do not warrant the accuracy or completeness of this specification or any information contained therein. Texas Instruments and/or its licensors do not warrant that this design will meet the specifications, will be suitable for your application or fit for any particular purpose, or will operate in an implementation. Texas Instruments and/or its licensors do not warrant that the design is production worthy. You should completely validate and test your design implementation to confirm the system functionality for your application.


Orderable: ChangeMe!	Designed for: Public Release	Mod. Date: 3/5/2019	 TEXAS INSTRUMENTS http://www.ti.com © Texas Instruments 2016
TID #: N/A	Project Title: PMIC for Xilinx ZYNQ Ultrascale+ FPGAs		
Number: TIDA-01393	Rev:	Sheet Title:	
SVN Rev: Not in version control	Assembly Variant: 001	Sheet: 6 of 7	
Drawn By: Wenchau Albert Lo	File: TPS6508641_Support_Devices.SchDoc	Size: B	
Engineer: Wenchau Albert Lo	Contact: http://www.ti.com/support		

H9 SJ-5303 (CLEAR) H10 SJ-5303 (CLEAR) H11 SJ-5303 (CLEAR) H12 SJ-5303 (CLEAR)

~~FID1~~ ~~FID2~~ ~~FID3~~

PCB Number: TIDA-01393
PCB Rev:

PCB LOGO Pb-Free Symbol PCB LOGO FCC disclaimer PCB LOGO WEEE logo

Orderable: ChangeMe!	Designed for: Public Release	Mod. Date: 6/16/2019	 http://www.ti.com © Texas Instruments 2016
TID #: N/A	Project Title: PMIC for Xilinx ZYNQ Ultrascale+ FPGAs		
Number: TIDA-01393	Rev:	Sheet Title:	
SVN Rev: Not in version control	Assembly Variant: 001	Sheet: 7 of 7	
Drawn By:	File: TPS6508641_Project_EVM_Hardware.SchDoc	Size: B	
Engineer: Wenchau Albert Lo	Contact: http://www.ti.com/support		

Texas Instruments and/or its licensors do not warrant the accuracy or completeness of this specification or any information contained therein. Texas Instruments and/or its licensors do not warrant that this design will meet the specifications, will be suitable for your application or fit for any particular purpose, or will operate in an implementation. Texas Instruments and/or its licensors do not warrant that the design is production worthy. You should completely validate and test your design implementation to confirm the system functionality for your application.

IMPORTANT NOTICE AND DISCLAIMER

TI PROVIDES TECHNICAL AND RELIABILITY DATA (INCLUDING DATASHEETS), DESIGN RESOURCES (INCLUDING REFERENCE DESIGNS), APPLICATION OR OTHER DESIGN ADVICE, WEB TOOLS, SAFETY INFORMATION, AND OTHER RESOURCES "AS IS" AND WITH ALL FAULTS, AND DISCLAIMS ALL WARRANTIES, EXPRESS AND IMPLIED, INCLUDING WITHOUT LIMITATION ANY IMPLIED WARRANTIES OF MERCHANTABILITY, FITNESS FOR A PARTICULAR PURPOSE OR NON-INFRINGEMENT OF THIRD PARTY INTELLECTUAL PROPERTY RIGHTS.

These resources are intended for skilled developers designing with TI products. You are solely responsible for (1) selecting the appropriate TI products for your application, (2) designing, validating and testing your application, and (3) ensuring your application meets applicable standards, and any other safety, security, or other requirements. These resources are subject to change without notice. TI grants you permission to use these resources only for development of an application that uses the TI products described in the resource. Other reproduction and display of these resources is prohibited. No license is granted to any other TI intellectual property right or to any third party intellectual property right. TI disclaims responsibility for, and you will fully indemnify TI and its representatives against, any claims, damages, costs, losses, and liabilities arising out of your use of these resources.

TI's products are provided subject to TI's Terms of Sale (www.ti.com/legal/termsofsale.html) or other applicable terms available either on ti.com or provided in conjunction with such TI products. TI's provision of these resources does not expand or otherwise alter TI's applicable warranties or warranty disclaimers for TI products.

Mailing Address: Texas Instruments, Post Office Box 655303, Dallas, Texas 75265
Copyright © 2019, Texas Instruments Incorporated